

# Mirrorscapes Technical Specification

1000 Series

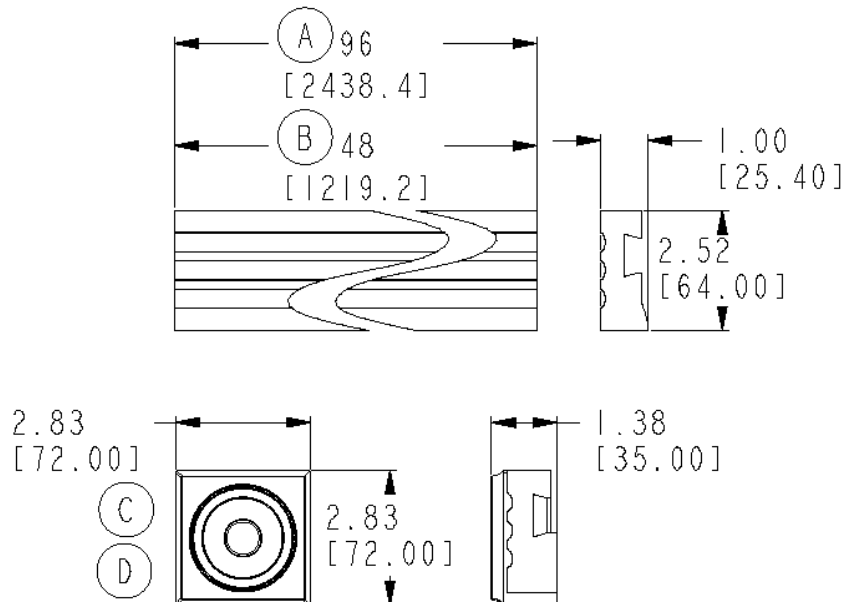
## Stock Numbers:

- **MS1048 – 4' Decorative Straight (1 pair)**  
W = White Finish  
X = Paintable Finish  
Y = Rouge Finish (coordinates w/ Cherry)
- **MS1072 – 6' Decorative Straight (1 pair)**  
W = White Finish  
X = Paintable Finish  
Y = Rouge Finish (coordinates w/ Cherry)
- **MS1096 – 8' Decorative Straight (1 pair)**  
W = White Finish  
X = Paintable Finish  
Y = Rouge Finish (coordinates w/ Cherry)
- **MC1000 – Decorative Corners (4 corners)**  
W = White Finish  
X = Paintable Finish  
Y = Rouge Finish (coordinates w/ Cherry)
- **ME1055 – Decorative Extensions (2 extensions)**  
W = White Finish  
X = Paintable Finish  
Y = Rouge Finish (coordinates w/ Cherry)

## Materials:

**1000 series straights (Y finish)** are engineered wood (MDF – medium density fibreboard). **W and X finishes** are wood. **Corners** are wood. **Mounting brackets** are ABS plastic.

## Dimensions:



## Installation Instructions:

1. Remove backing to expose adhesive on mounting brackets.
2. Position corner template on the mirror.
3. Guided by corner template, secure corner mounting bracket to mirror.
4. Once mounting bracket is secured, remove corner template
5. Repeat for all corners.
6. Center straight template at edge of mirror.
7. Guided by straight template, secure straight mounting bracket to mirror.
8. Once mounting bracket is secured, remove straight mounting template.
9. Repeat on all sides of mirror.
10. Attach decorative corners onto corner mounting brackets.
11. With a marker, trace a line on the mirror along the inner edges of the corner brackets.
12. Remove decorative corners.
13. Measure between marked lines to determine lengths of straight pieces.
14. Cut straight pieces to measurements made in step 13.
15. Press straight pieces onto mounting brackets.
16. Press decorative corners onto mounting brackets.

## Cleaning Instructions:

To preserve the fine finish of this product, clean only with a soft cloth. Do not use commercial or abrasive cleaners.

Stock Number: \_\_\_\_\_ Mirrorscapes  
By Creative Specialties



25300 AL MOEN DRIVE • NORTH OLMSTED, OH 44070  
CORPORATE HEADQUARTERS: (800) 321-8809 • FAX: (800) 848-6636  
INTERNATIONAL: (440) 962-2000 • FAX: (440) 962-2726  
CUSTOMER SERVICE (USA): 800-882-0116 • FAX: (888) 379-2720

©Copyright Creative Specialties International

Literature #BA1409