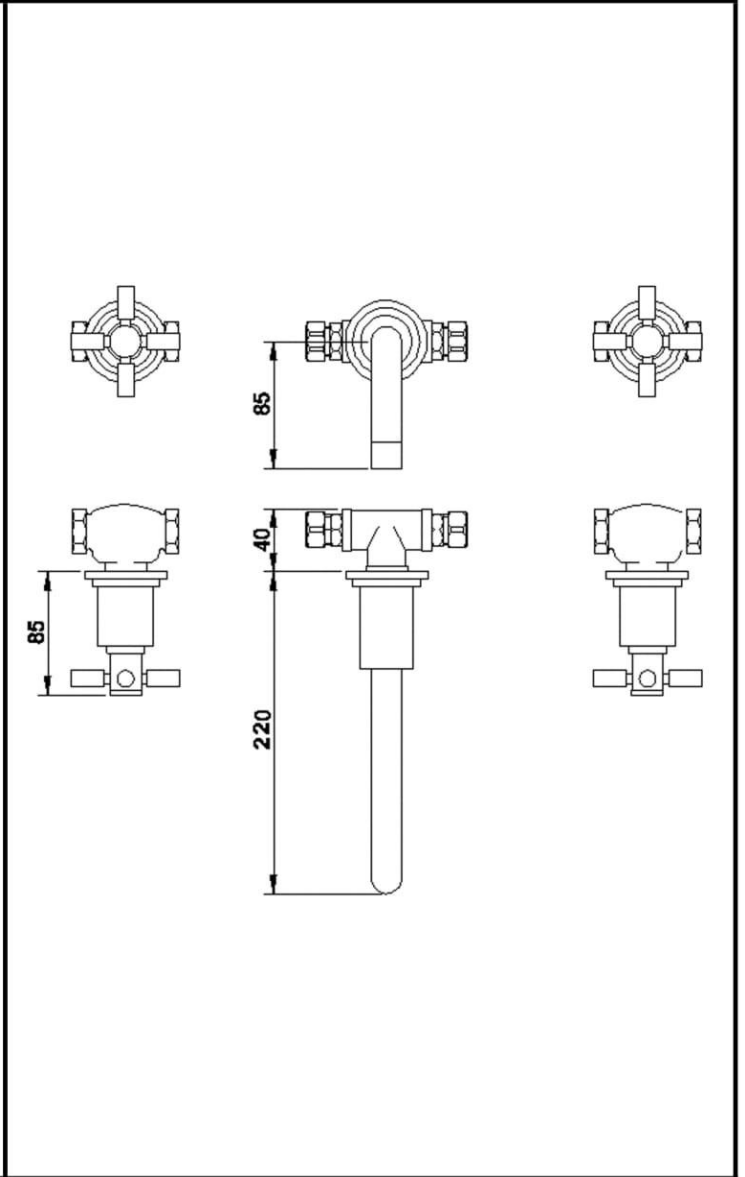


# CUSTOMER DATA SHEET - BRASSWARE

**DESCRIPTION:** Crosshead W/H Basin Mixer



## PRODUCT DIMENSIONS

Height (mm)	Width (mm)	Depth (mm)	Length (mm)	Nett Wgt Kg
113	255	220		2.23

## PACKAGING DIMENSIONS

Height (mm)	Width (mm)	Depth (mm)	Gross Wgt Kg
140	180	350	2.23

## PACKAGING DATA

Box Colour	White Cardboard Box		
Box Qty	1	Label Colour	White Label
Label Size	100 x 50	Label Qty	2

## OUTER BOX DIMENSIONS (If Applicable)

Height (mm)	Width (mm)	Depth (mm)	Length (mm)	Gross Wgt Kg
				18

## PRODUCT DETAILS

Country of Origin	United Kingdom		
Fitting Instruction	Yes		
Product Material	Brass		
Control Type	Manual		
Waste Included	Waste Not Included		
WRAS Approval	No	Approval No.	N/A
Operating Pressure (bar)	0.1		
Valve/Cartridge Type	1/4 Turn Ceramic Disc		

Colour/Finish	Chrome									
Mount Type	Deck									
Waste Type	Not Applicable									
Flow Rates (Litres Per Min)	0.1 bar	5	0.5 bar	12	1 bar	16	2 bar	22	3 bar	27
Pipe Size	15 mm (1/2" Bsp)									
Pipe Centres	N/A									