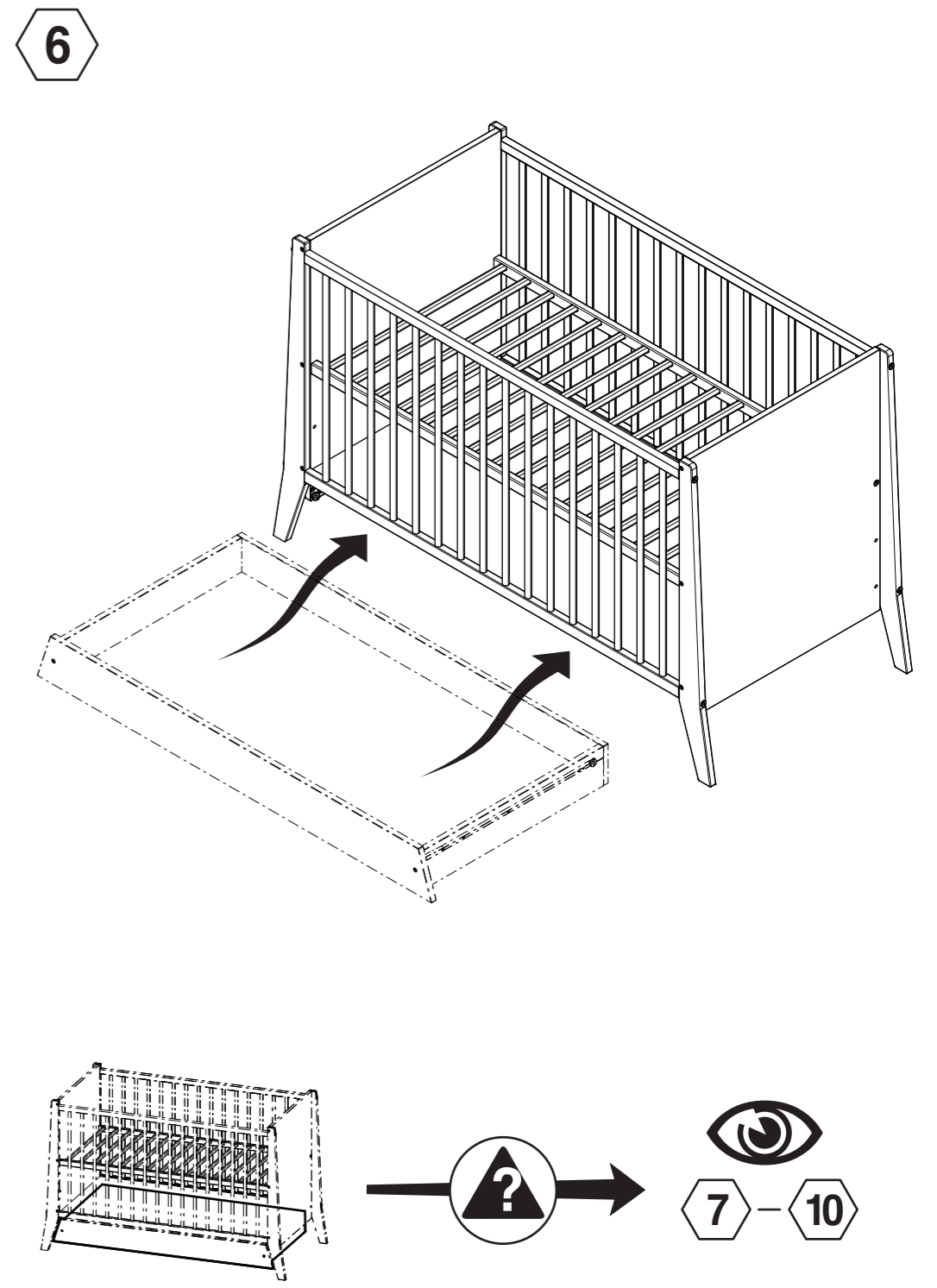
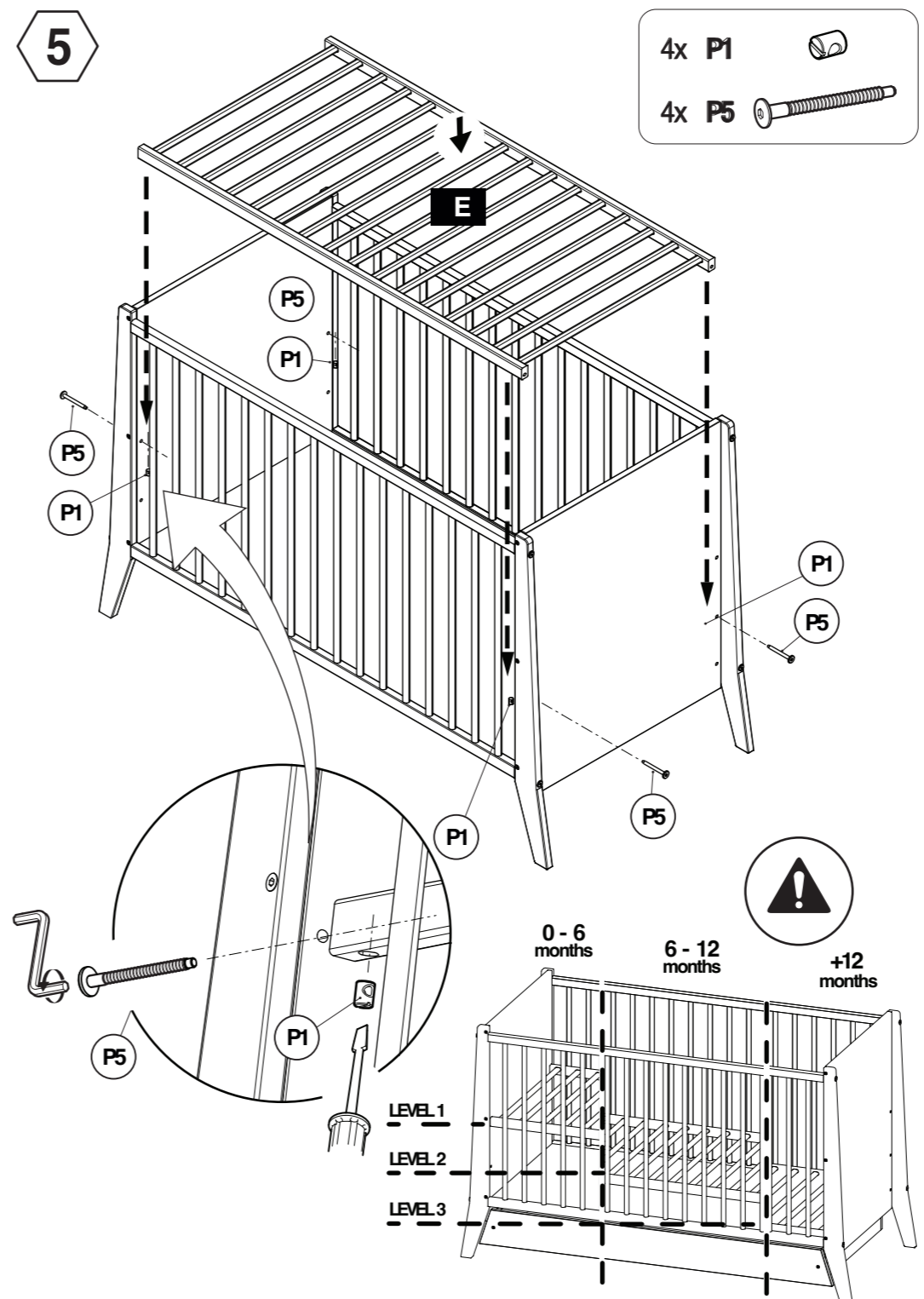
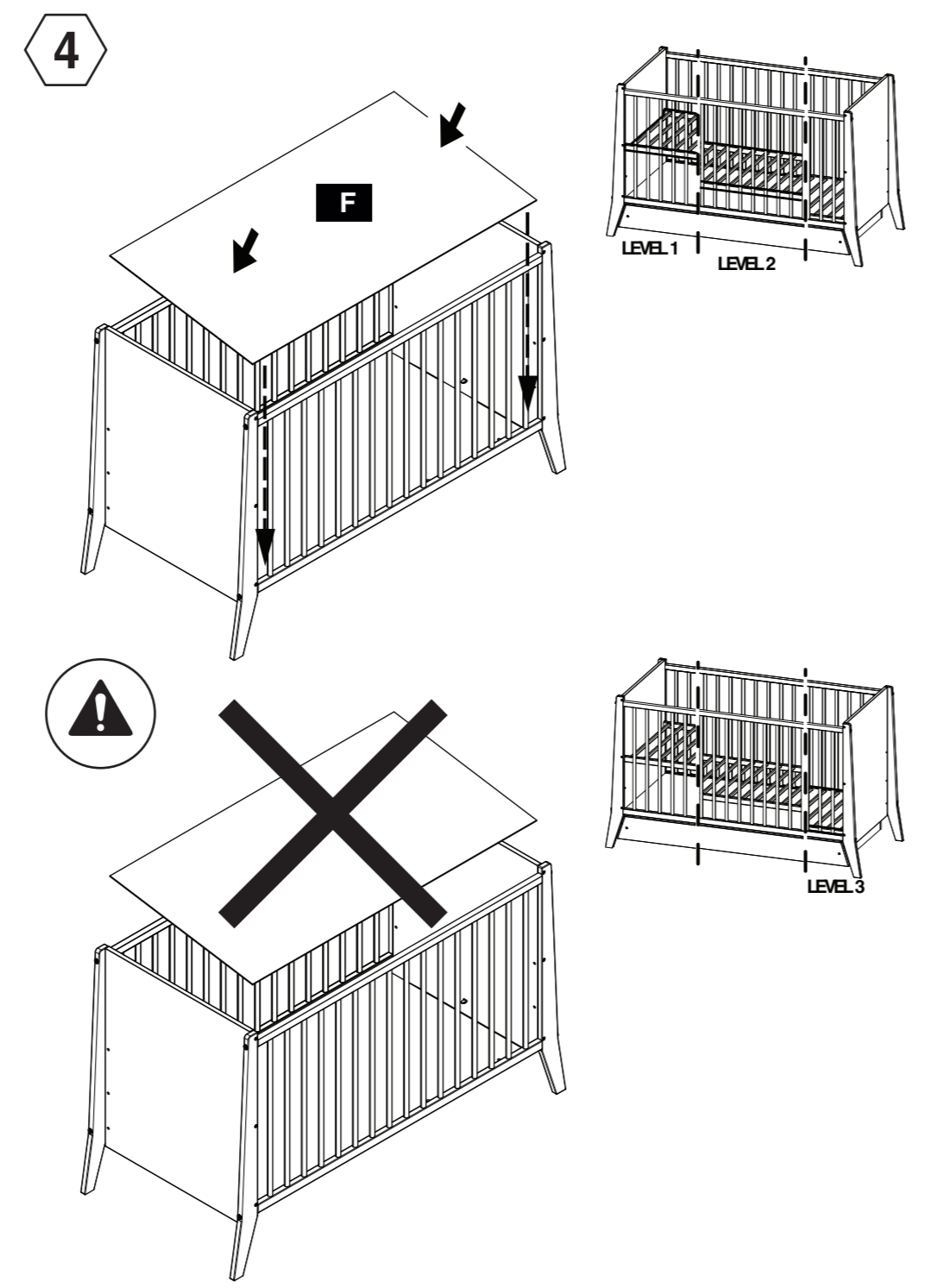
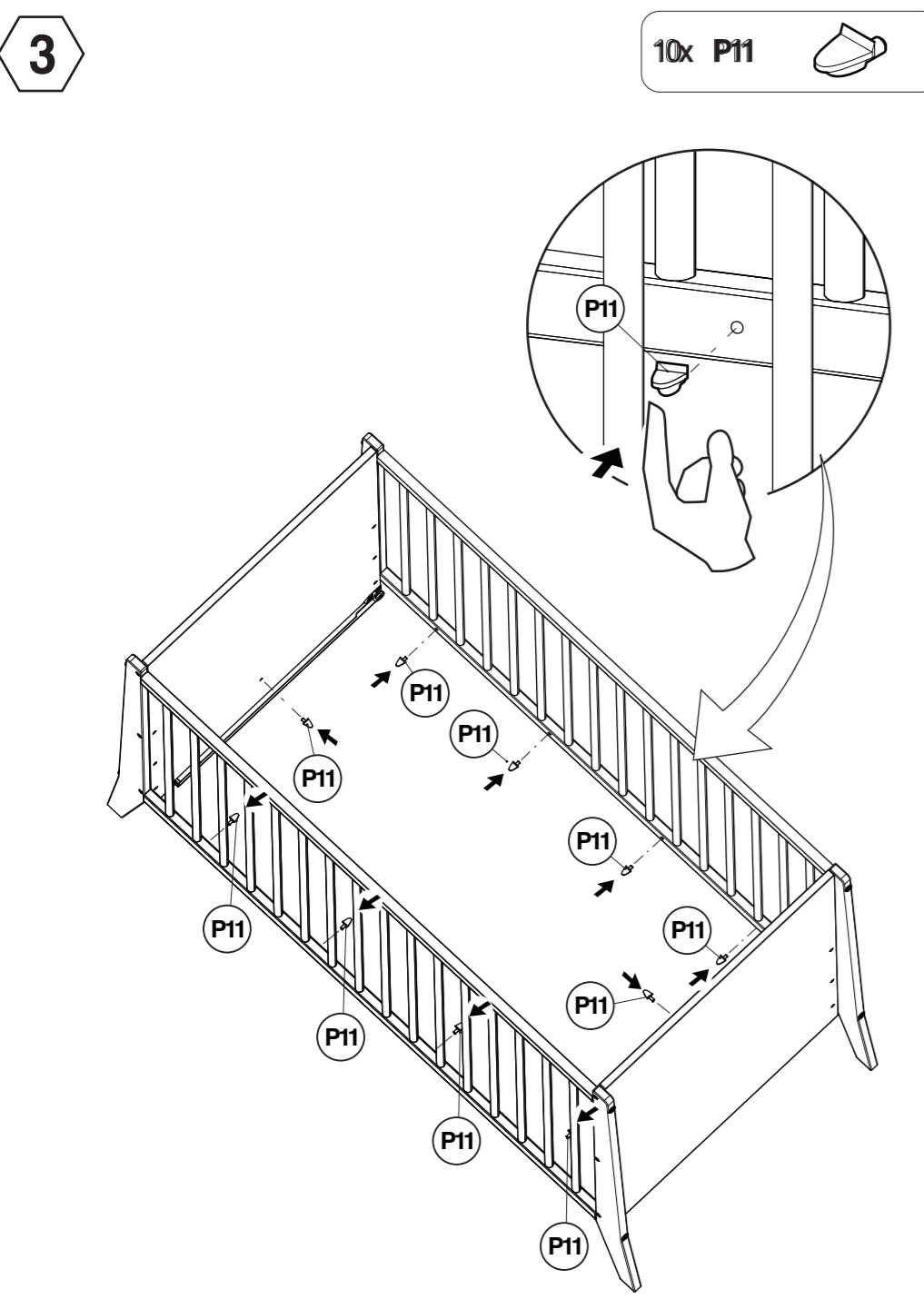
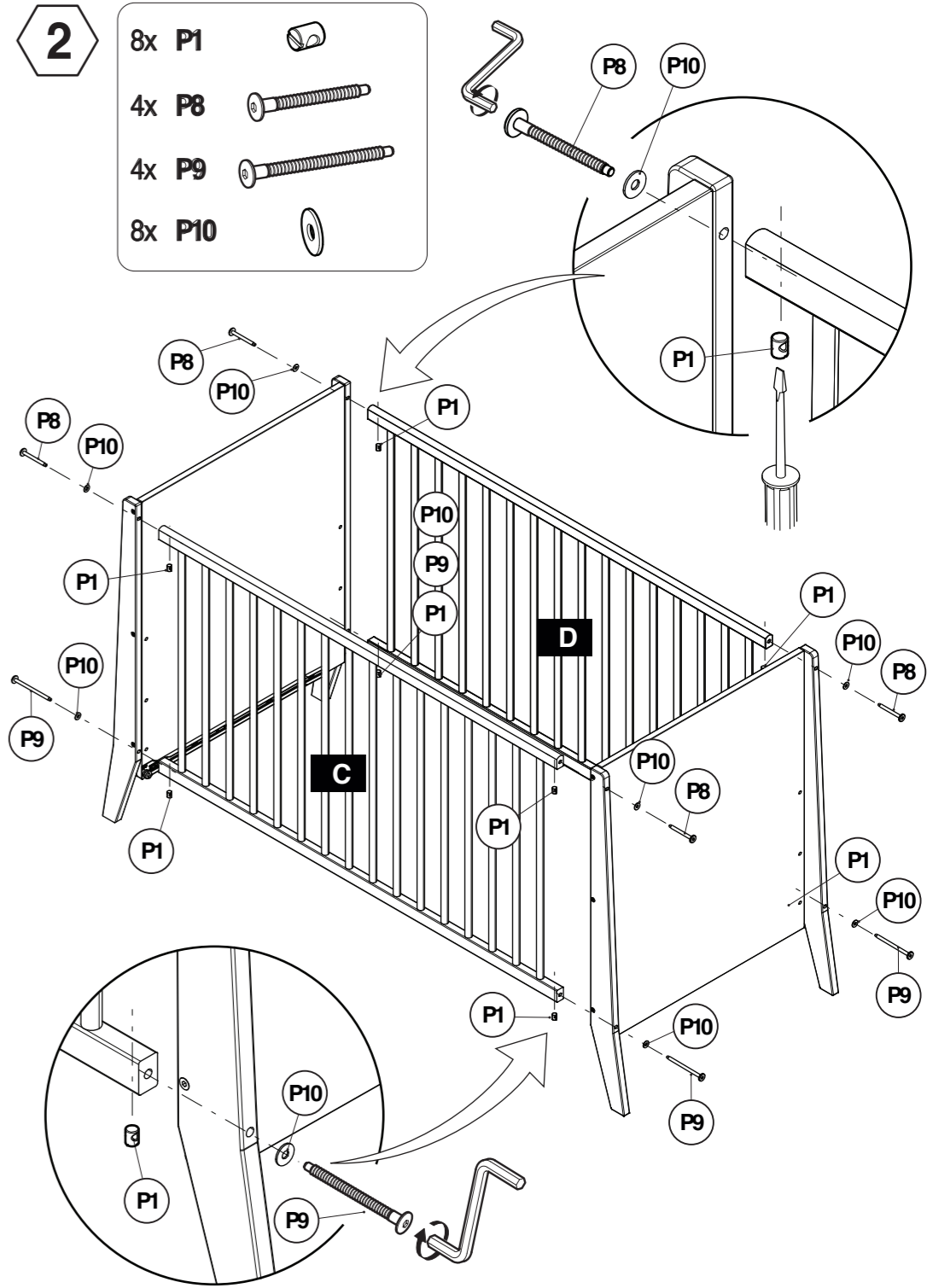
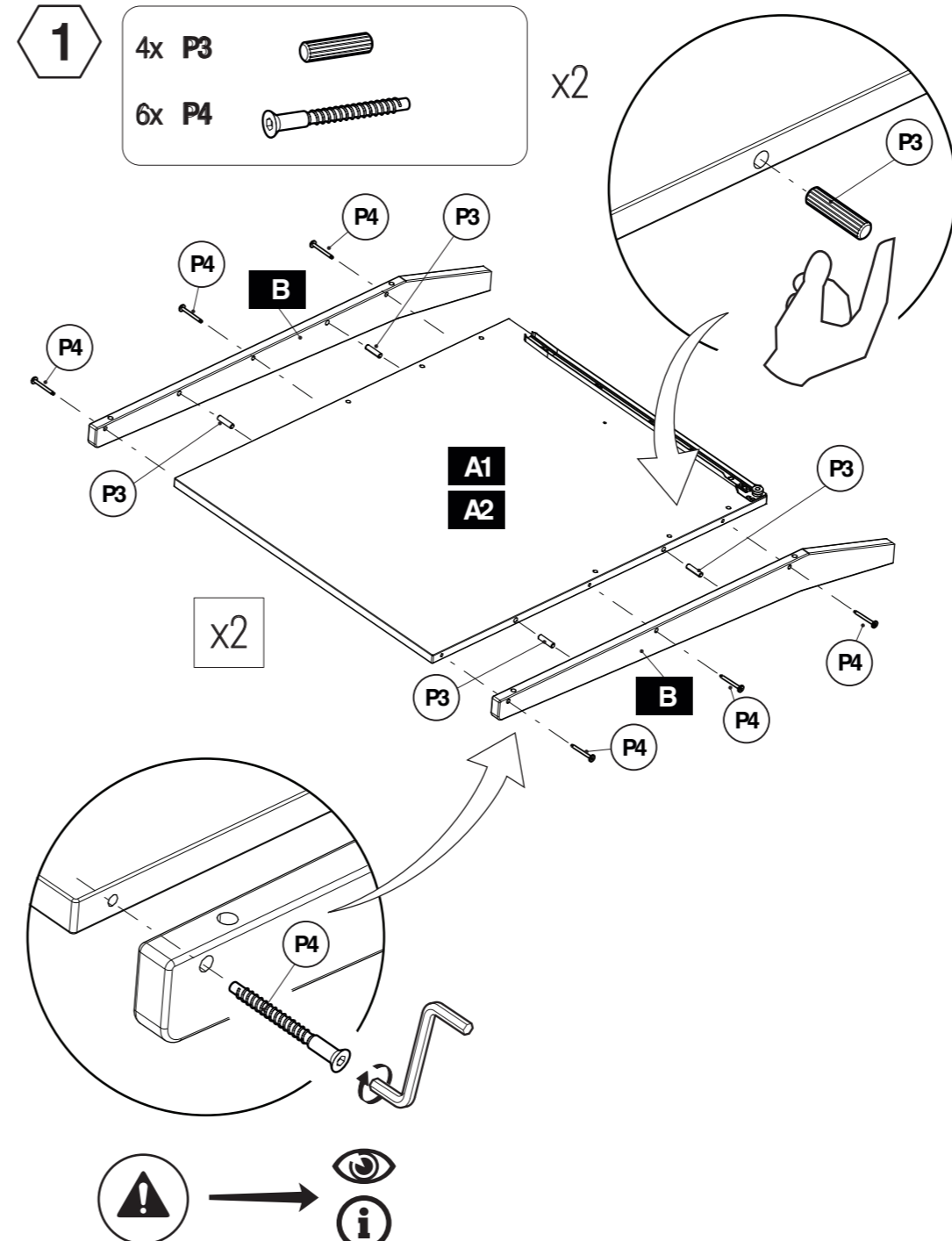
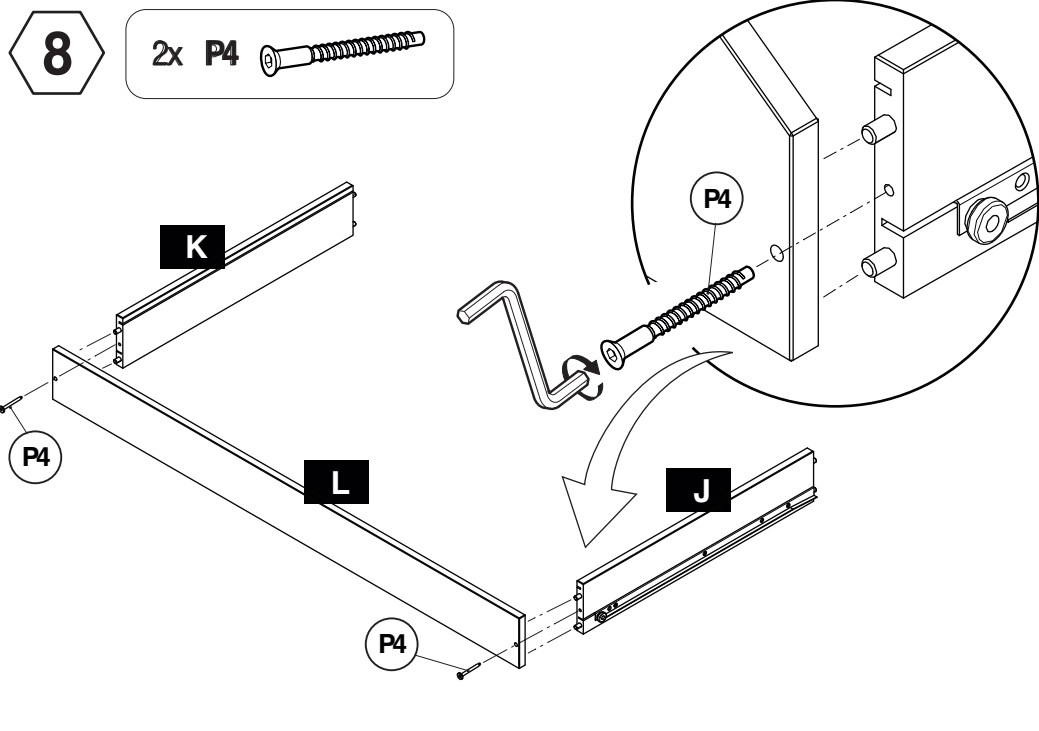
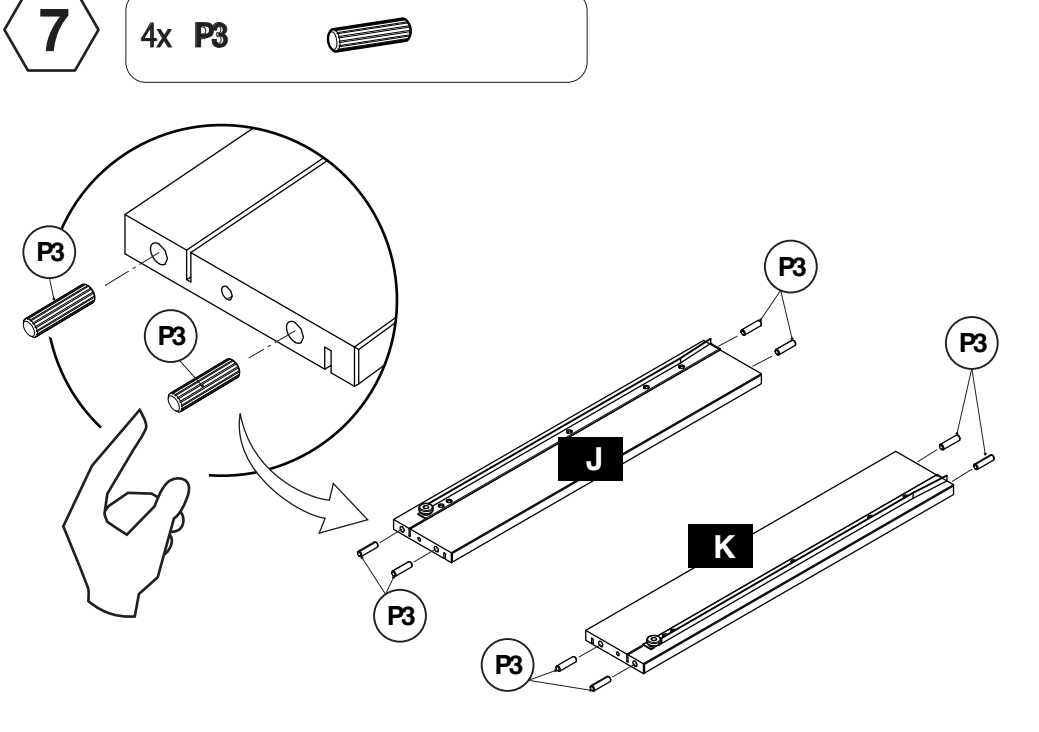


<b>P1</b> Ø10 x12	<b>P2</b> x1	<b>P3</b> Ø8 x 32 x16	<b>P4</b> M7 x 55 x16
<b>P5</b> M6 x 55 x4	<b>P6</b> 3 x 16 x2	<b>P7</b> x1	<b>P8</b> M6 x 75 x4
<b>P9</b> M6 x 110 x4	<b>P10</b> x8	<b>P11</b> x10	

30 - 40 MIN.





**i** To ensure that your cot bed is used in accordance with these instructions, please read them fully.

**WARNING:** Be aware of the risk of open fire and other sources of heat, such as electric bar fires, gasfires, etc. in the vicinity of the under cot bed drawer.  
**WARNING:** Do not use the bed if any part is broken, or missing.

All assembly fittings should be tightened properly and care should be taken to ensure that no drawstrings, necklaces) this could lead to strangulation. Regularly check that all fittings and components of the under cot bed are fully tightened and in working order.

Standing in, or using the cot bed other than for its intended purpose, could cause damage to the structure or serious injury to your child. Wood is a natural material, the colour will darken with age.

- ROUTINE CARE & MAINTENANCE**
- For cleaning, use only a mild detergent and warm water.
  - Do not use bleach.
  - Do not use any abrasive substances.
  - Take care when handling or moving furniture, careless handling can damage wooden furniture.

Due to constant updating and improvements, some components may occasionally differ slightly from the images shown in these instructions. We reserve the rights to change the specifications of any products without prior notice. If you need any assistance please contact your retailer from whom you purchased your product, who will take appropriate action.

**i** To ensure that your cot bed is used in accordance with these instructions, please read them fully.

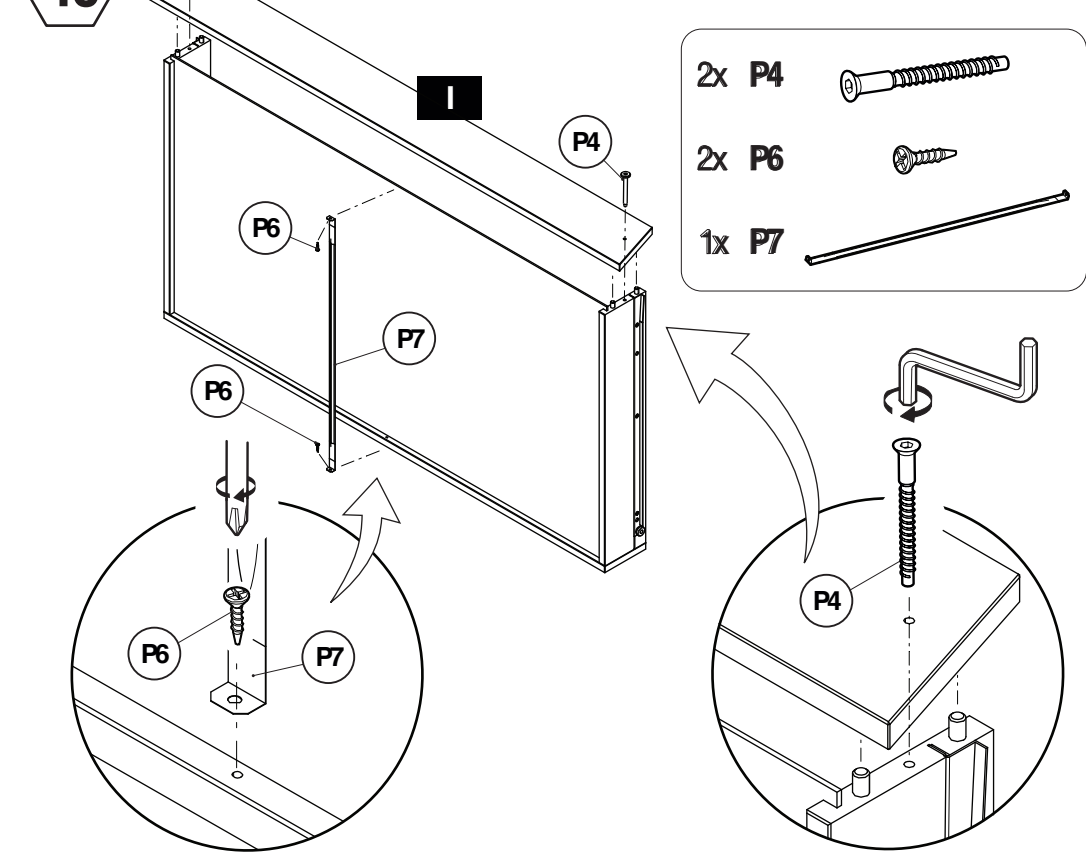
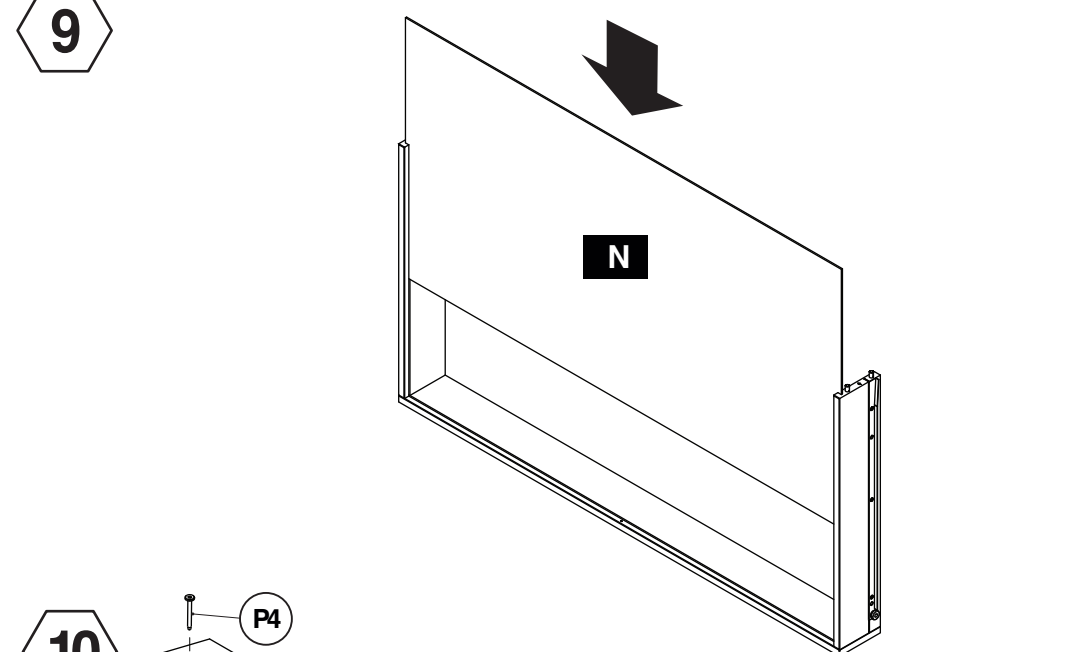
**WARNING:** Be aware of the risk of open fire and other sources of heat, such as electric bar fires, gasfires, etc. in the vicinity of the under cot bed drawer.  
**WARNING:** Do not use the bed if any part is broken, or missing.

All assembly fittings should be tightened properly and care should be taken to ensure that no drawstrings, necklaces) this could lead to strangulation. Regularly check that all fittings and components of the under cot bed are fully tightened and in working order.

Standing in, or using the cot bed other than for its intended purpose, could cause damage to the structure or serious injury to your child. Wood is a natural material, the colour will darken with age.

- ROUTINE CARE & MAINTENANCE**
- For cleaning, use only a mild detergent and warm water.
  - Do not use bleach.
  - Do not use any abrasive substances.
  - Take care when handling or moving furniture, careless handling can damage wooden furniture.

Due to constant updating and improvements, some components may occasionally differ slightly from the images shown in these instructions. We reserve the rights to change the specifications of any products without prior notice. If you need any assistance please contact your retailer from whom you purchased your product, who will take appropriate action.



**i** To ensure that your cot bed is used in accordance with these instructions, please read them fully.

**WARNING:** Be aware of the risk of open fire and other sources of heat, such as electric bar fires, gasfires, etc. in the vicinity of the under cot bed drawer.  
**WARNING:** Do not use the bed if any part is broken, or missing.

All assembly fittings should be tightened properly and care should be taken to ensure that no drawstrings, necklaces) this could lead to strangulation. Regularly check that all fittings and components of the under cot bed are fully tightened and in working order.

Standing in, or using the cot bed other than for its intended purpose, could cause damage to the structure or serious injury to your child. Wood is a natural material, the colour will darken with age.

- ROUTINE CARE & MAINTENANCE**
- For cleaning, use only a mild detergent and warm water.
  - Do not use bleach.
  - Do not use any abrasive substances.
  - Take care when handling or moving furniture, careless handling can damage wooden furniture.

Due to constant updating and improvements, some components may occasionally differ slightly from the images shown in these instructions. We reserve the rights to change the specifications of any products without prior notice. If you need any assistance please contact your retailer from whom you purchased your product, who will take appropriate action.

**i** To ensure that your cot bed is used in accordance with these instructions, please read them fully.

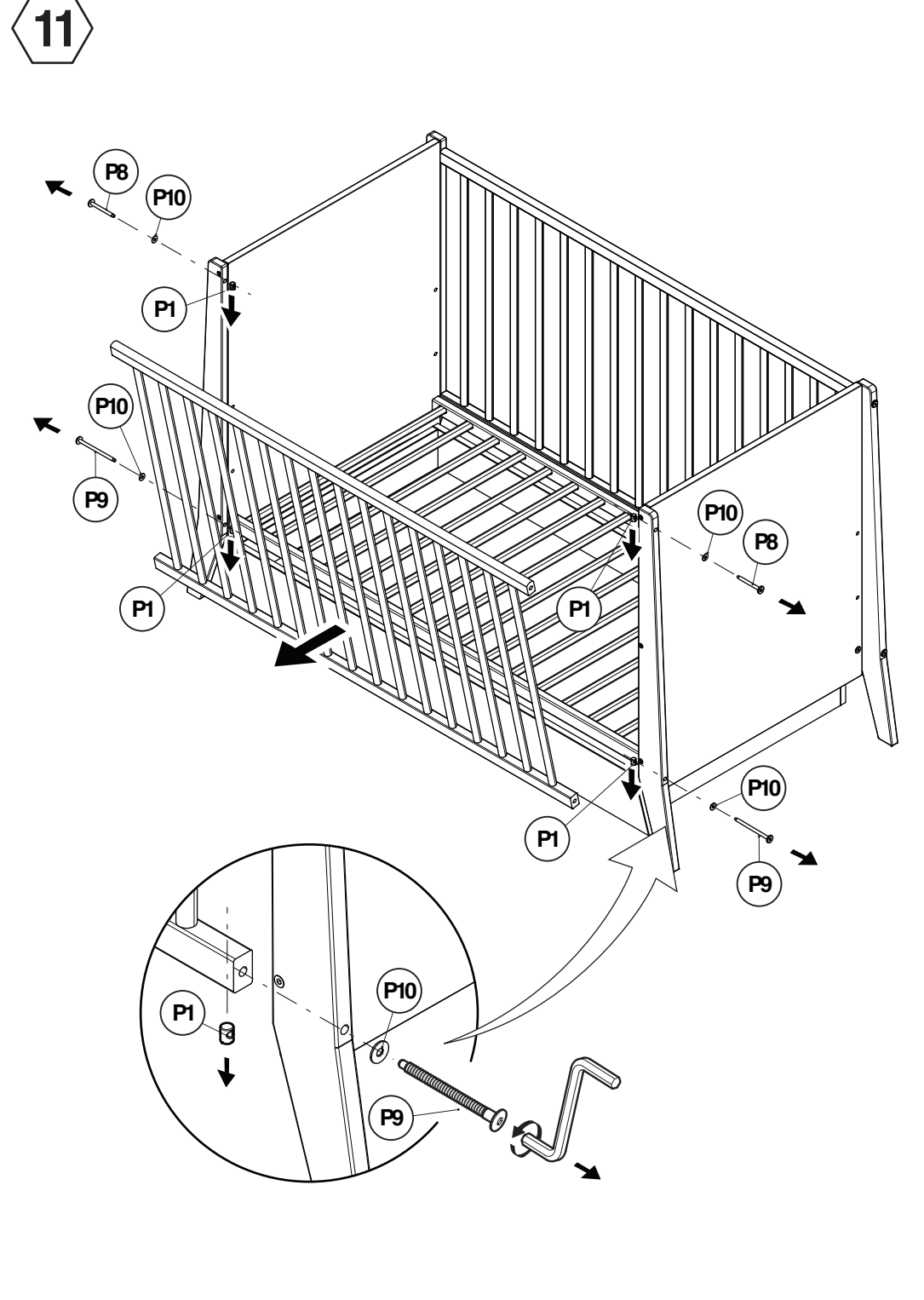
**WARNING:** Be aware of the risk of open fire and other sources of heat, such as electric bar fires, gasfires, etc. in the vicinity of the under cot bed drawer.  
**WARNING:** Do not use the bed if any part is broken, or missing.

All assembly fittings should be tightened properly and care should be taken to ensure that no drawstrings, necklaces) this could lead to strangulation. Regularly check that all fittings and components of the under cot bed are fully tightened and in working order.

Standing in, or using the cot bed other than for its intended purpose, could cause damage to the structure or serious injury to your child. Wood is a natural material, the colour will darken with age.

- ROUTINE CARE & MAINTENANCE**
- For cleaning, use only a mild detergent and warm water.
  - Do not use bleach.
  - Do not use any abrasive substances.
  - Take care when handling or moving furniture, careless handling can damage wooden furniture.

Due to constant updating and improvements, some components may occasionally differ slightly from the images shown in these instructions. We reserve the rights to change the specifications of any products without prior notice. If you need any assistance please contact your retailer from whom you purchased your product, who will take appropriate action.



**i** To ensure that your cot bed is used in accordance with these instructions, please read them fully.

**WARNING:** Be aware of the risk of open fire and other sources of heat, such as electric bar fires, gasfires, etc. in the vicinity of the under cot bed drawer.  
**WARNING:** Do not use the bed if any part is broken, or missing.

All assembly fittings should be tightened properly and care should be taken to ensure that no drawstrings, necklaces) this could lead to strangulation. Regularly check that all fittings and components of the under cot bed are fully tightened and in working order.

Standing in, or using the cot bed other than for its intended purpose, could cause damage to the structure or serious injury to your child. Wood is a natural material, the colour will darken with age.

- ROUTINE CARE & MAINTENANCE**
- For cleaning, use only a mild detergent and warm water.
  - Do not use bleach.
  - Do not use any abrasive substances.
  - Take care when handling or moving furniture, careless handling can damage wooden furniture.

Due to constant updating and improvements, some components may occasionally differ slightly from the images shown in these instructions. We reserve the rights to change the specifications of any products without prior notice. If you need any assistance please contact your retailer from whom you purchased your product, who will take appropriate action.

**i** To ensure that your cot bed is used in accordance with these instructions, please read them fully.

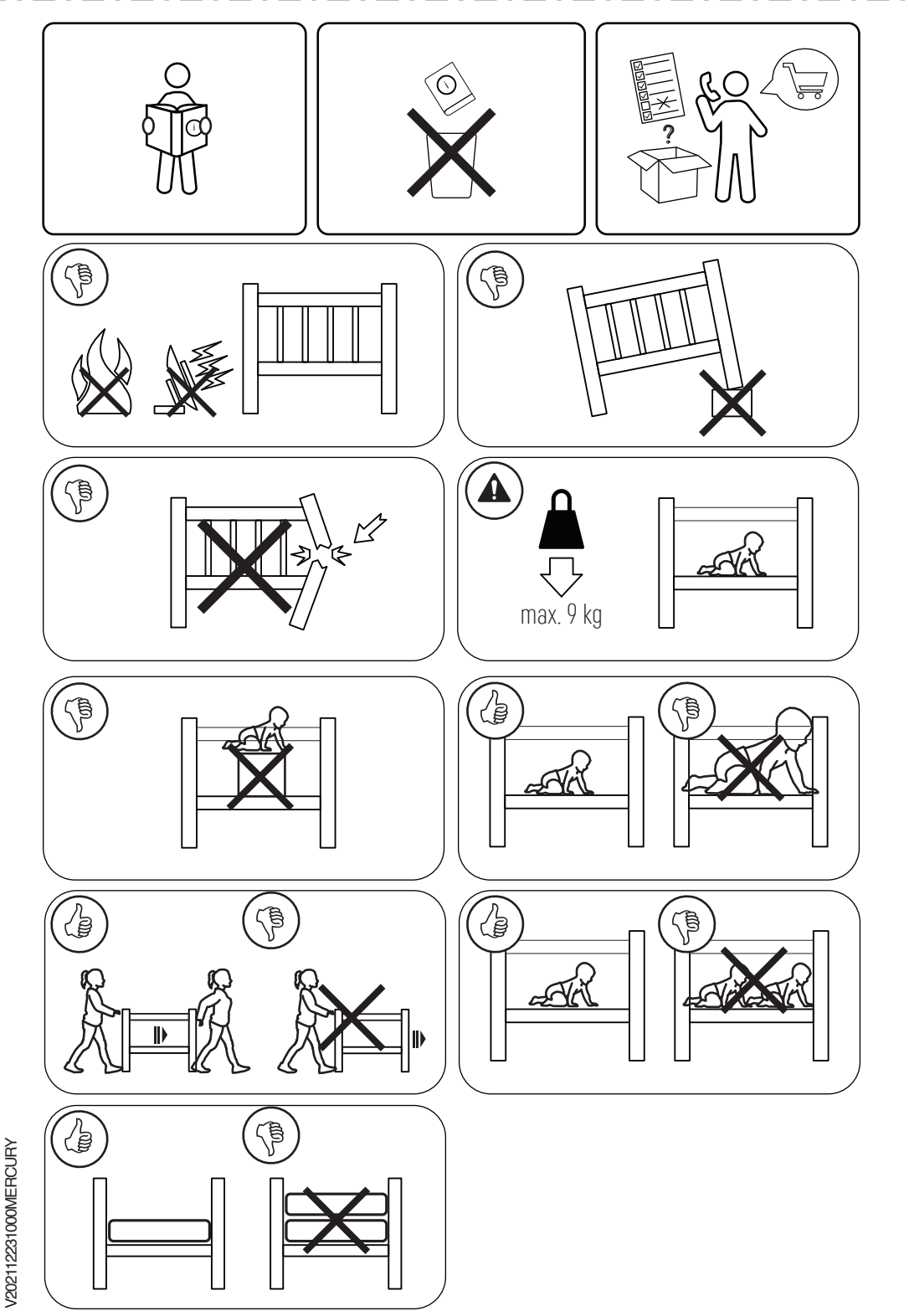
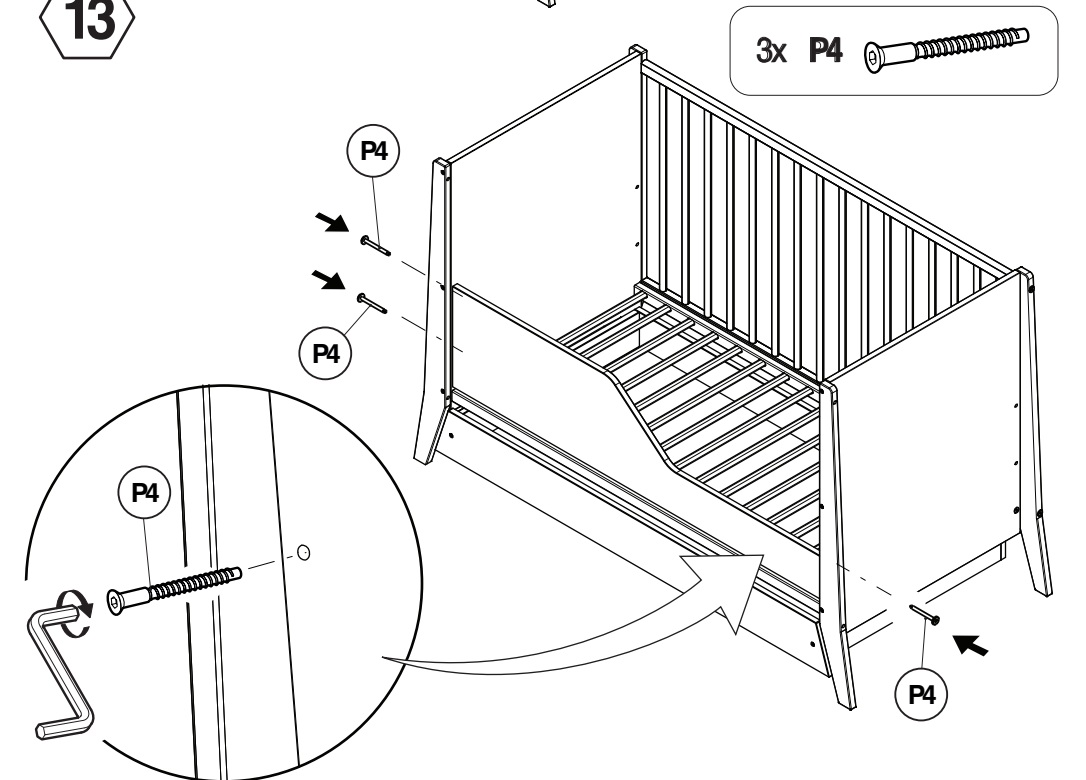
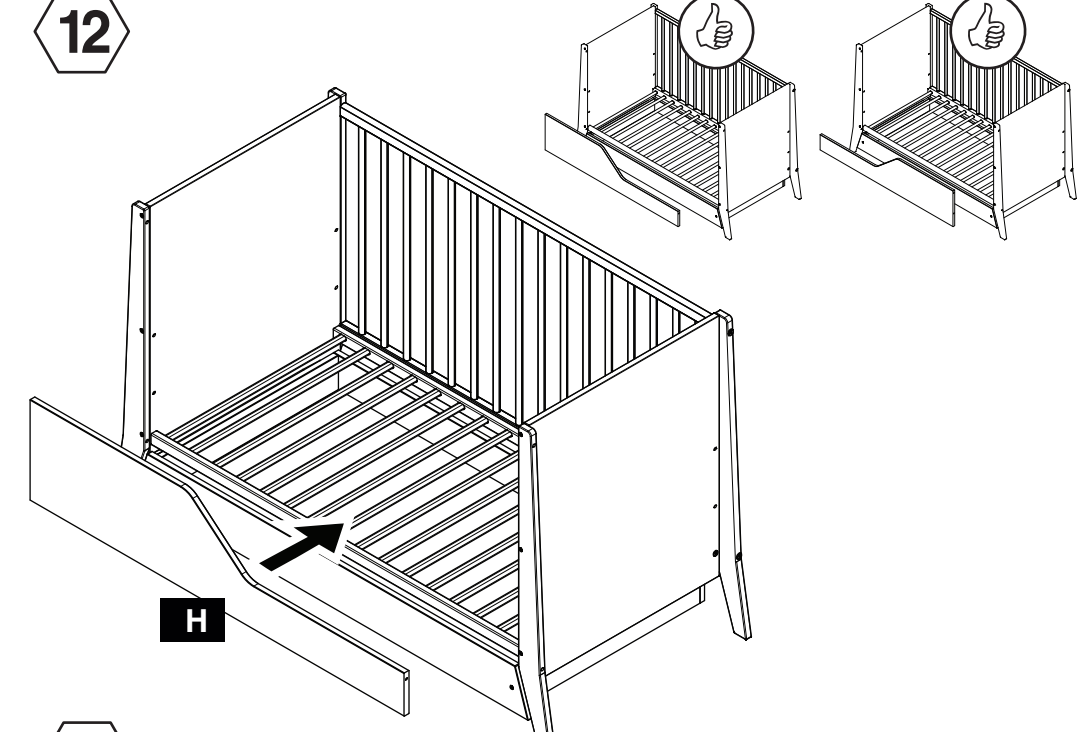
**WARNING:** Be aware of the risk of open fire and other sources of heat, such as electric bar fires, gasfires, etc. in the vicinity of the under cot bed drawer.  
**WARNING:** Do not use the bed if any part is broken, or missing.

All assembly fittings should be tightened properly and care should be taken to ensure that no drawstrings, necklaces) this could lead to strangulation. Regularly check that all fittings and components of the under cot bed are fully tightened and in working order.

Standing in, or using the cot bed other than for its intended purpose, could cause damage to the structure or serious injury to your child. Wood is a natural material, the colour will darken with age.

- ROUTINE CARE & MAINTENANCE**
- For cleaning, use only a mild detergent and warm water.
  - Do not use bleach.
  - Do not use any abrasive substances.
  - Take care when handling or moving furniture, careless handling can damage wooden furniture.

Due to constant updating and improvements, some components may occasionally differ slightly from the images shown in these instructions. We reserve the rights to change the specifications of any products without prior notice. If you need any assistance please contact your retailer from whom you purchased your product, who will take appropriate action.



V202112231000MERQUURY