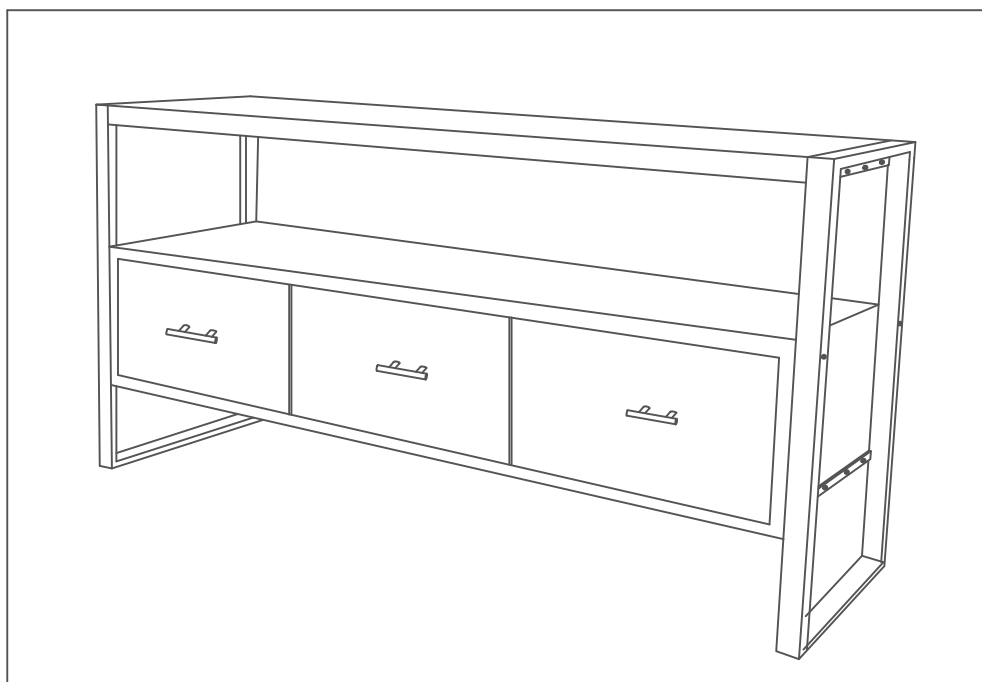



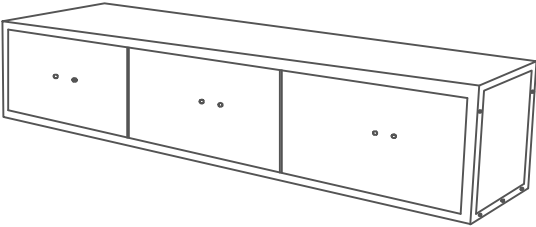
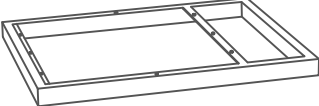
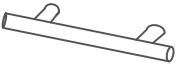
Assembly Instructions






Thank you very much for your purchase.

If you have any questions pertaining to the assembly of this
~ | } ã | ^ Á | a ^ Ñ | ^ æ ^ Á | } c&Ás.


Parts List

Label	Picture	Description	Qty
A			1
B			1
C			2
D			3

Hardware List

Label	Picture	Description	Size	Qty
H-1		Bolt	M6x15 mm	12
H-2		Bolt	M6x55 mm	4
H-3		Bolt	M6x4 mm	6

Tool List

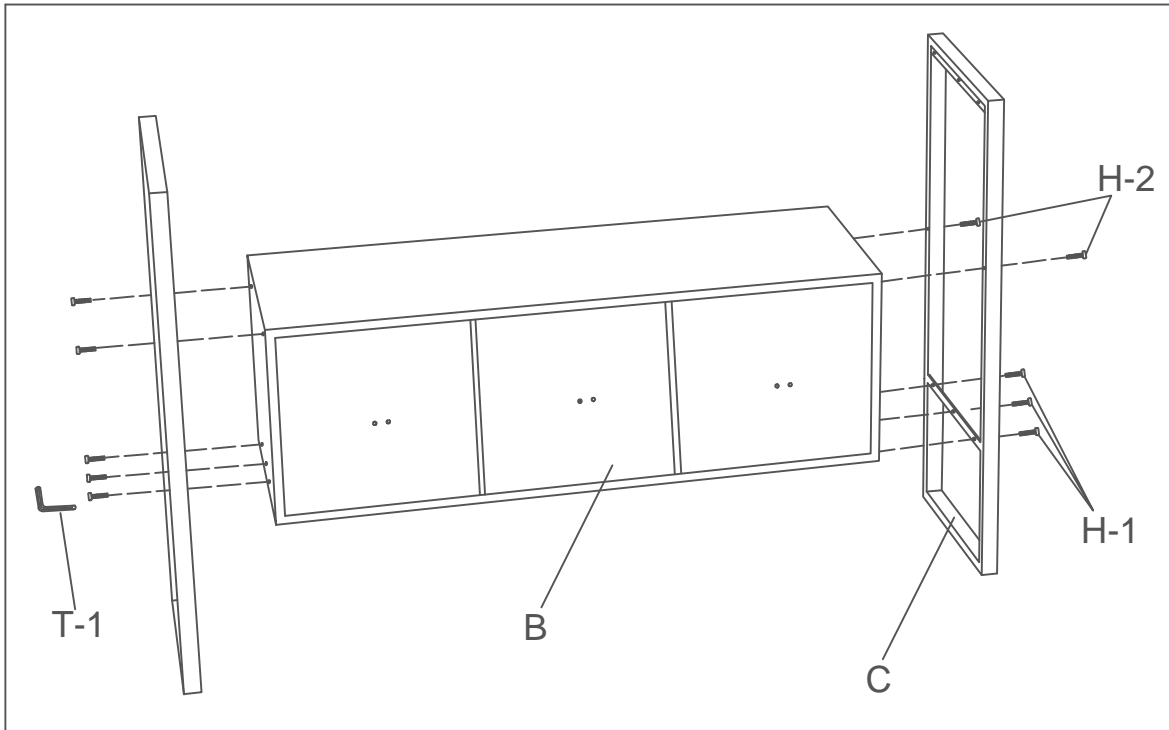
Label	Picture	Description	Size	Qty
T-1		Allen Key	φ4 mm	1

Assembly Steps

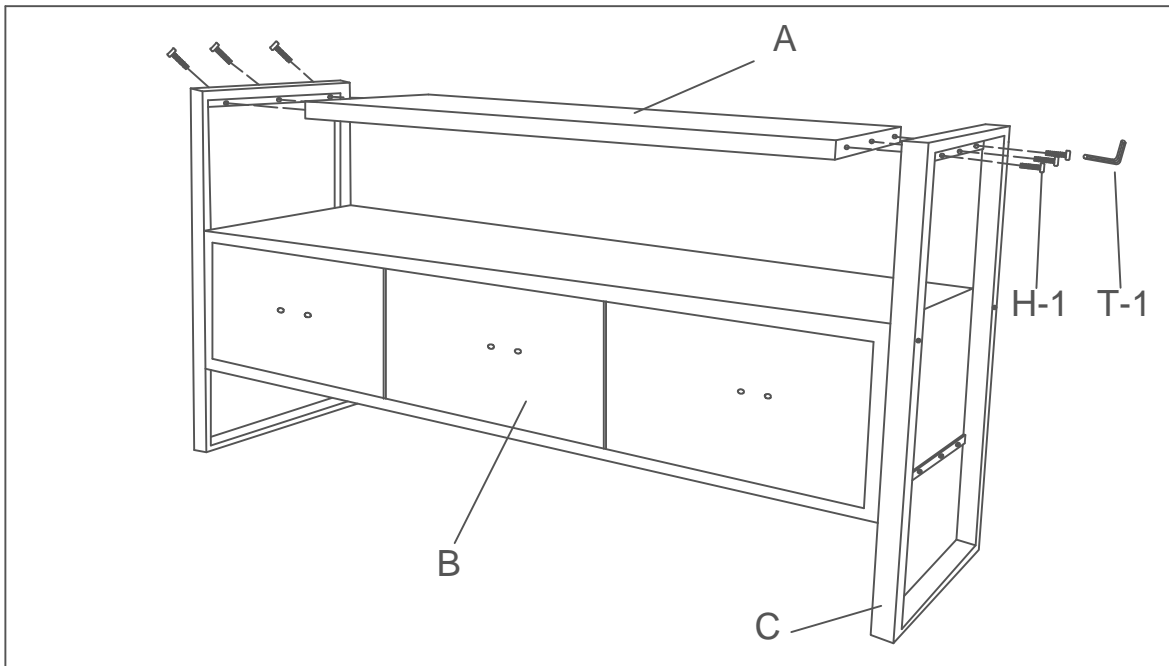
ATTENTION:

DO NOT COMPLETELY TIGHTEN ANY SCREWS UNTIL ALL PARTS ARE IN PLACE

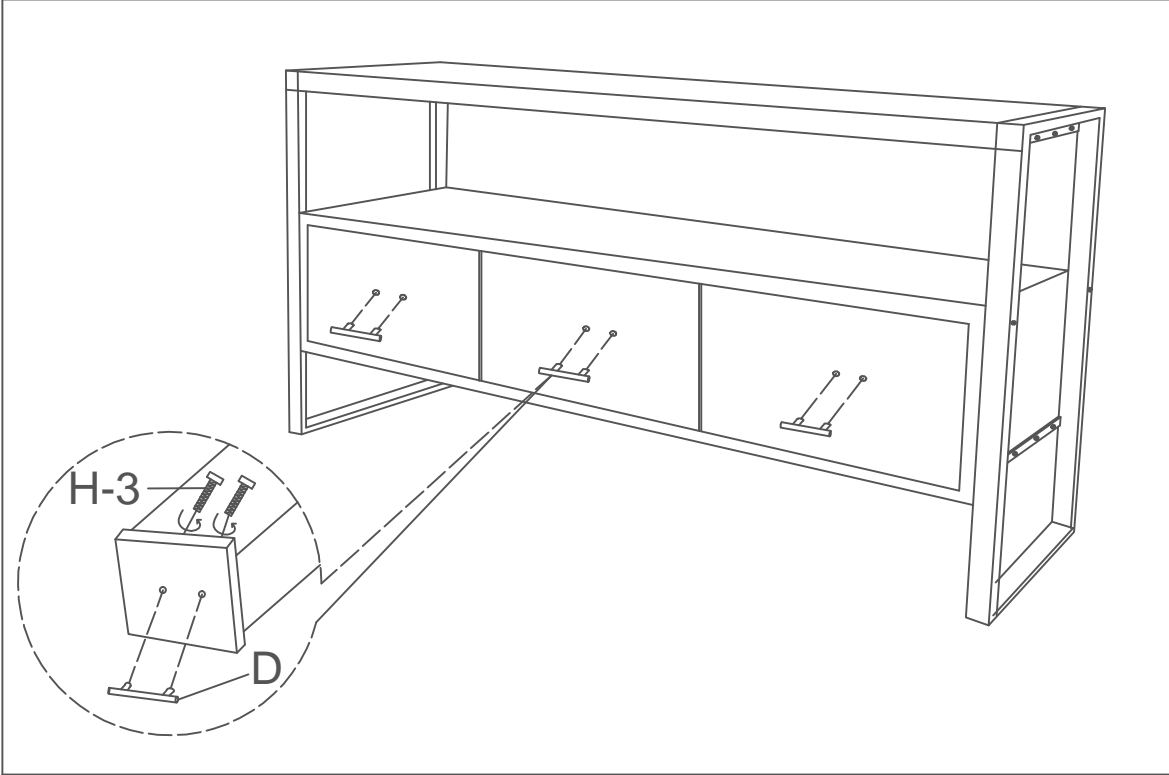
Step 1



Step 2



Step 3



Step 4

