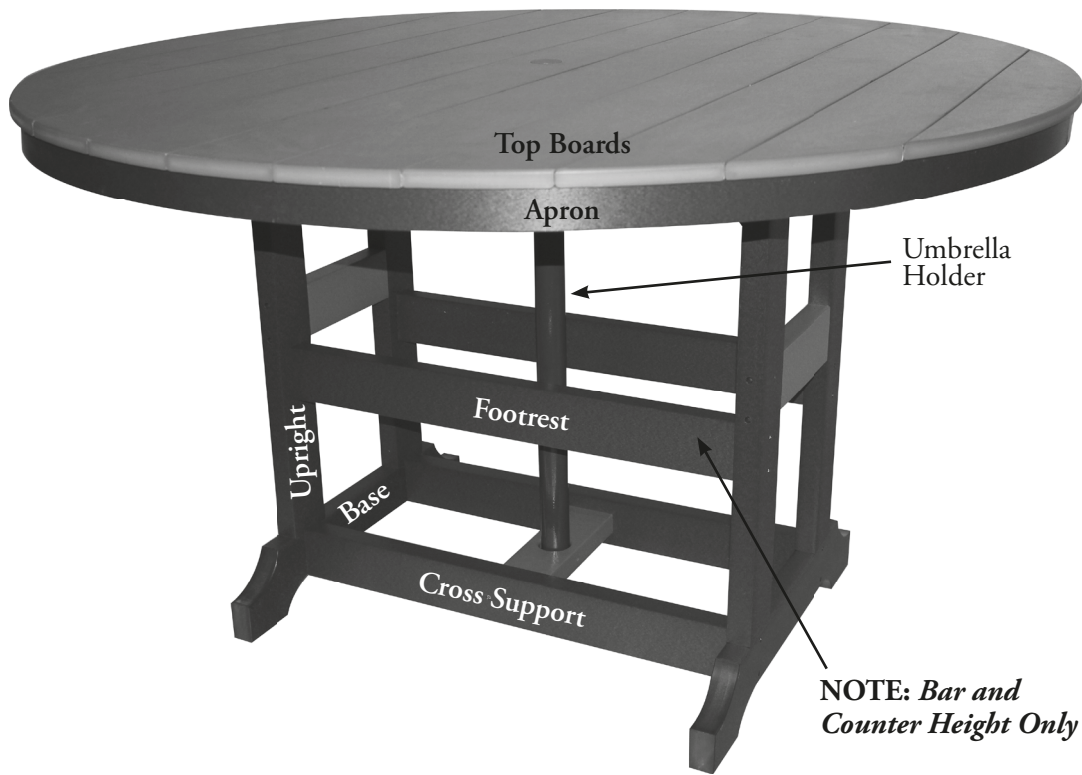


Assembly Directions for 60" Round Table

#GCT0060D, #GCT0060C, #GCT0060B



PACKAGE CONTENTS

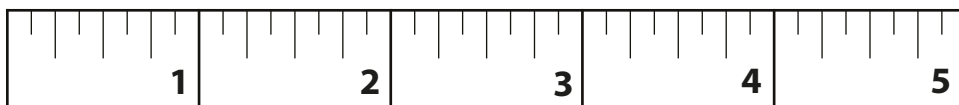
- 1 Top
- 2 Bases
- 1 Cross Support
- 1 Center Leg
- 2 Footrests (Bar and Counter Height Only)
- 4 Braces
- 1 Hardware Package

TOOLS NEEDED:

- Hammer
- 7/16" Wrench
- Cordless Drill/Screwdriver
- Allen Wrench (Included)

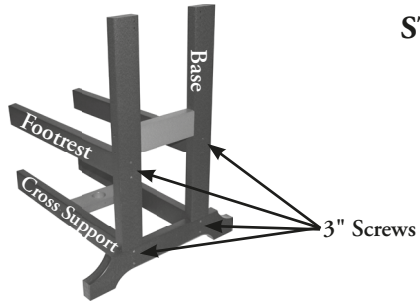
HARDWARE PACKAGE

- 8 1/4" x 2" Allen Head Bolts
- 8 1/4" Flange Nuts
- 2 Umbrella Knobs
- 16 3" Screws
- 12 1 1/2" Screws
- 8 3/4" Screws
- 1 Allen Wrench

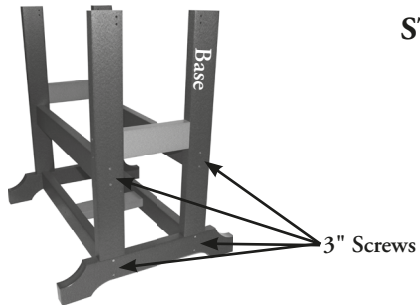


Use to measure bolts

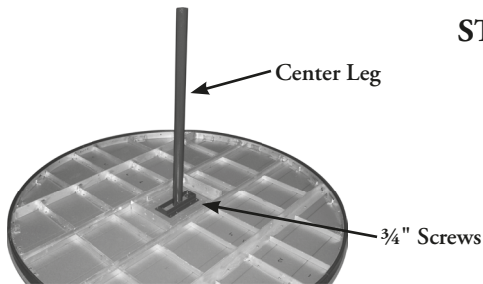




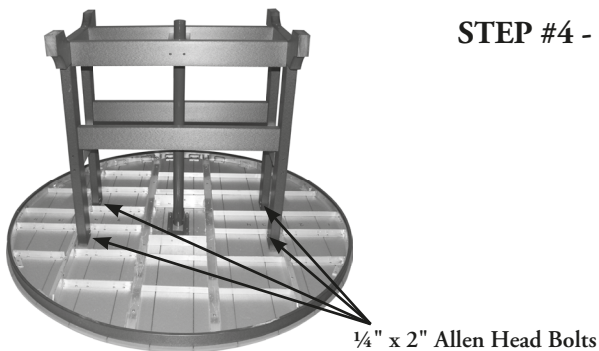
STEP #1 - First, assemble the cross support to the base using 3" screws. Second, fasten the footrests to the base using 3" screws (**Bar and Counter Height Only.**)



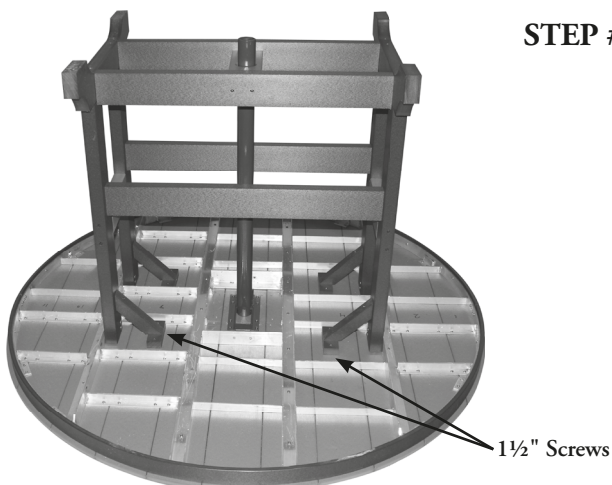
STEP #2 - With the second base, repeat step #1.



STEP #3 - Position the center leg over the umbrella plug and fasten the center leg to the top using $\frac{3}{4}$ " screws. **Caution! To keep screws from spinning out, do not overtighten screws!**



STEP #4 - Lift the base assembly onto the top. Fasten the base assembly to the aluminum frame using $\frac{1}{4}$ " x 2" Allen Head bolts.



STEP #5 - Fasten the braces using $1\frac{1}{2}$ " screws and then set the table upright. Your 60" Round Table is complete!