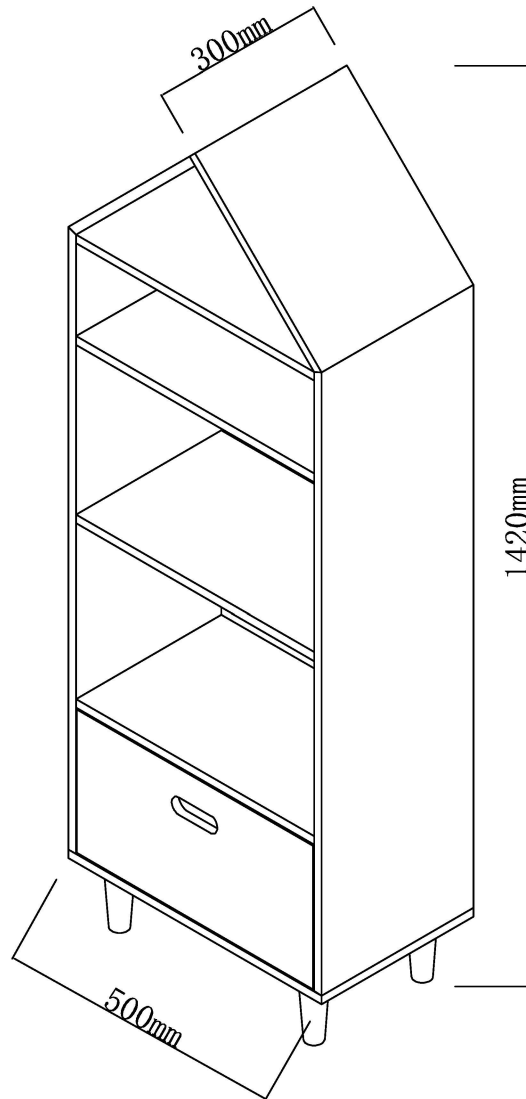


ASSEMBLY INSTRUCTION



Safety: the product should be assembled by adult, not suitable for children under three years.


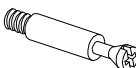

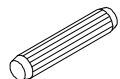



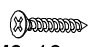

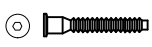

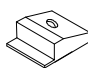

Sicherheit: dieses produkt sollte von erwachsenen, nicht geeignet für kinder unter drei jahren zusammengebaut werden.

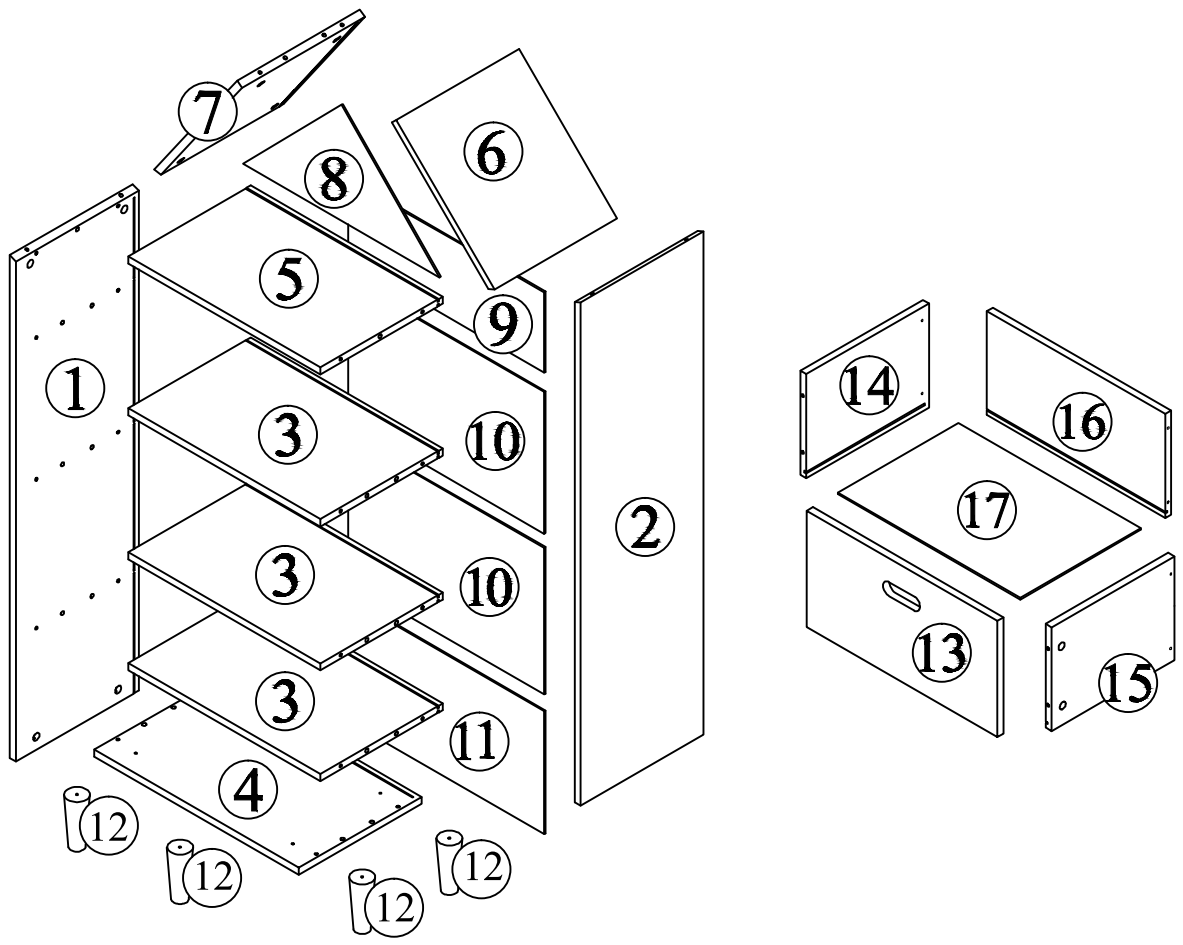
Sécurité : ce produit doit être monté par un adulte, ne convient pas aux enfants de moins de 3 ans.

Seguridad: el producto debe ser montado por un adulto responsable. No apto para niños menores de 3 años de edad.

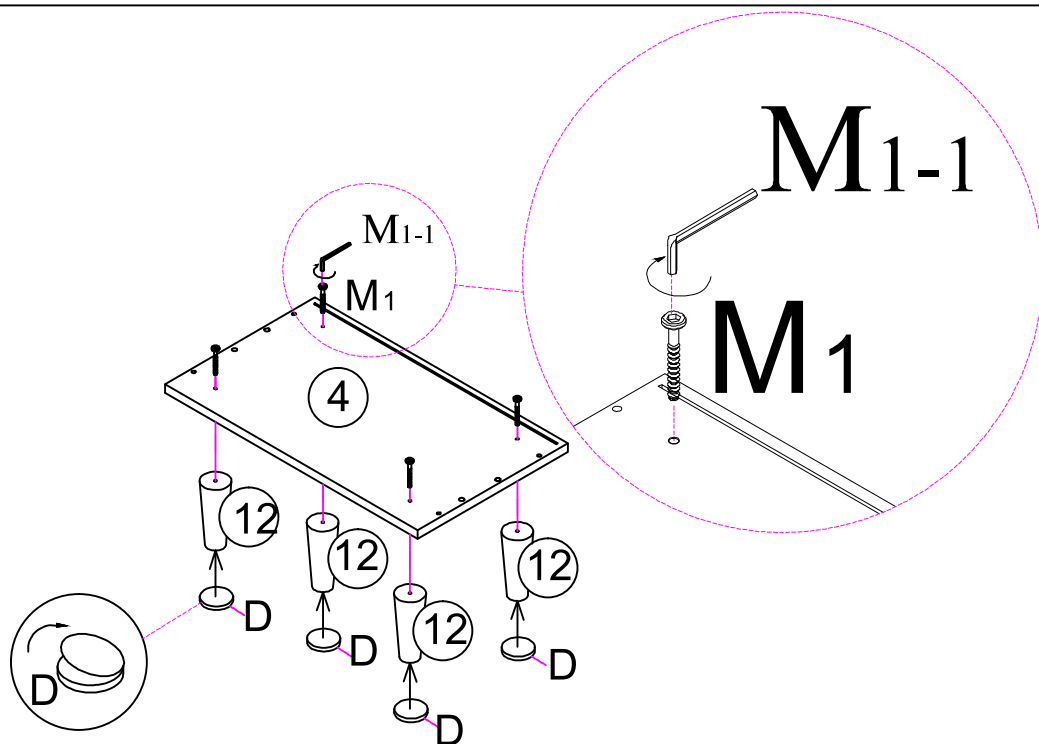
Sicurezza: il prodotto deve essere assemblato da un adulto, non è adatto a bambini di età inferiore ai 3 anni.






A1  Ø12x10mm x 34	B  Ø6.5 x 38mm x26	B1  x4	C1  Ø6 x 30mm x20	D  x4
E  M4 x 25mm x4	E4  M3x 12mm x10	E5  M3x16mm x8	L1 250mm  x1	M1  M7 x 50mm x4
M1-1  x1	N  x8	P  x1		

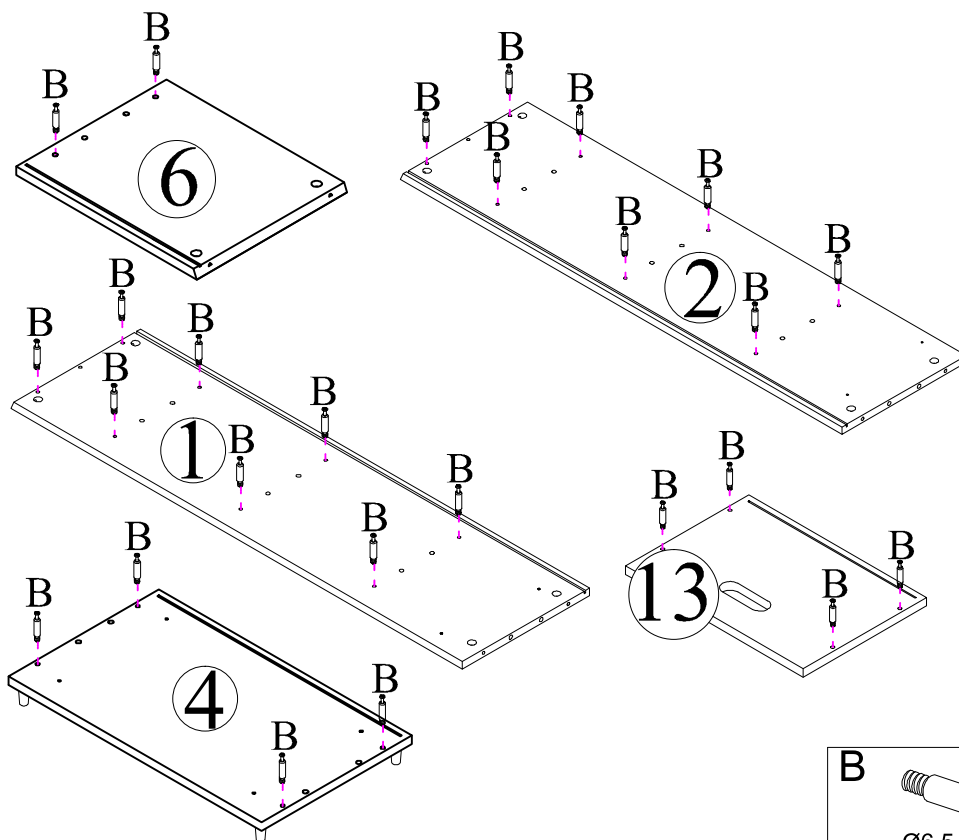










1

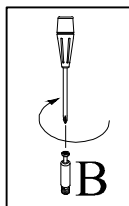


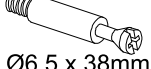
<p>D</p>  <p>x4</p>	<p>M1-1</p>  <p>x1</p>	<p>M1</p>  <p>M7 x 50mm</p> <p>x4</p>
---	---	---

2

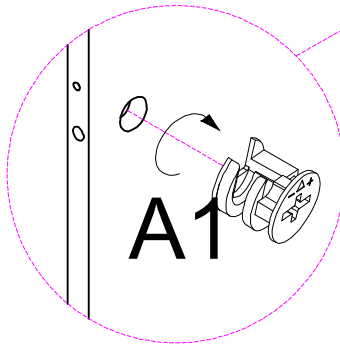
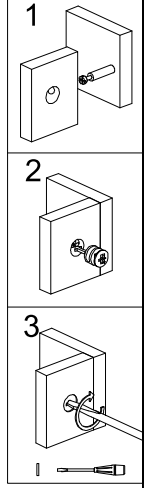
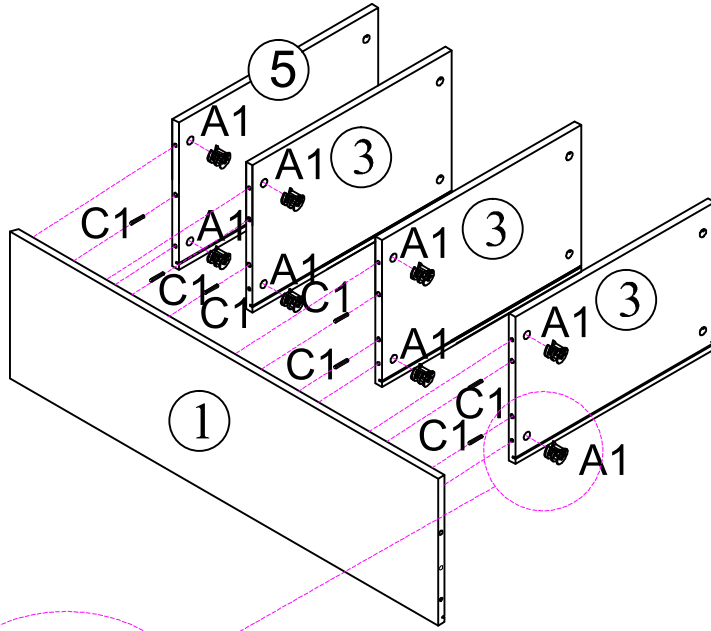



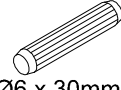
	
	
	
	



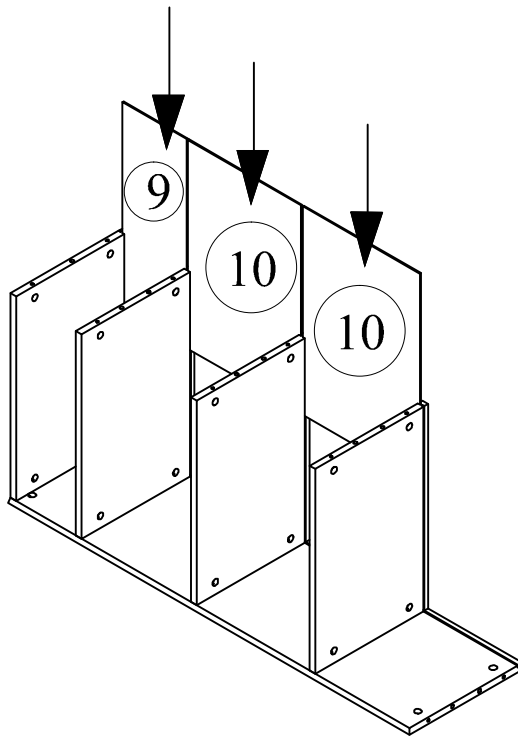
<p>B</p>  <p>Ø6.5 x 38mm</p> <p>x26</p>
--

3

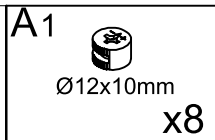
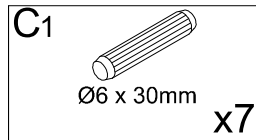
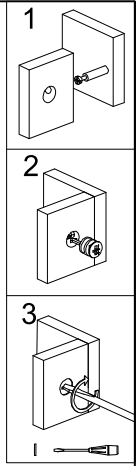
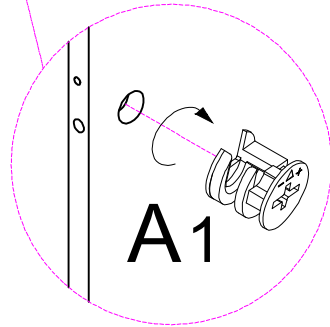
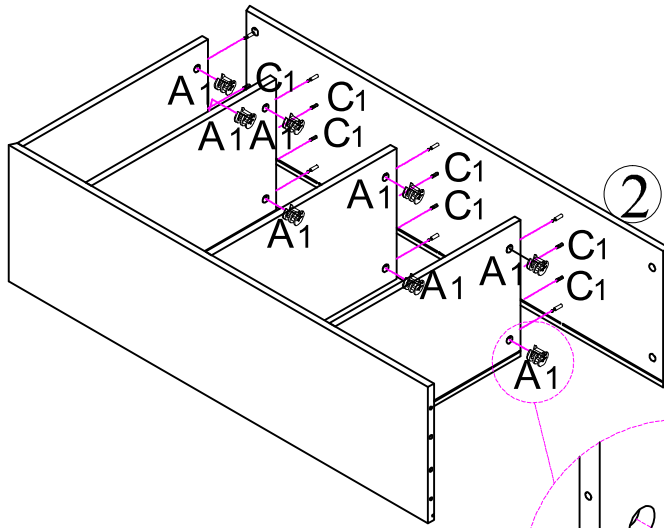


E4 M3x12mm x2	P  x1
A1 Ø12x10mm x 8	C1  Ø6 x 30mm x7

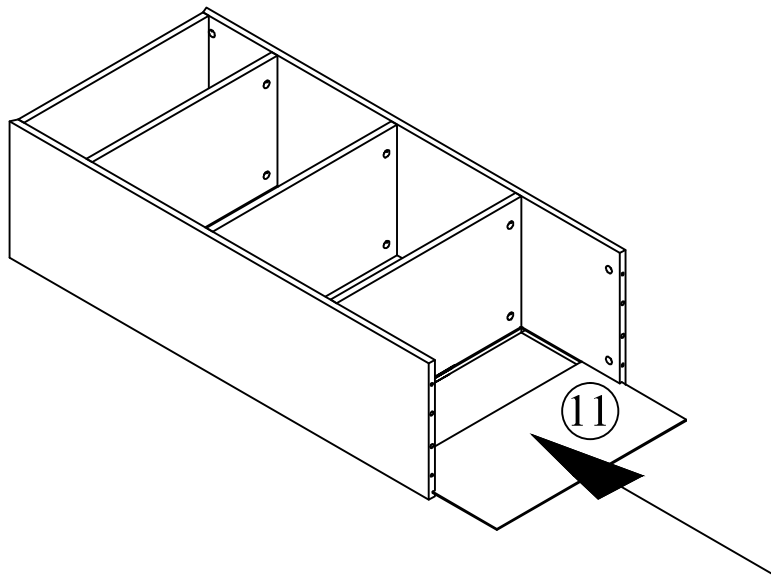
4



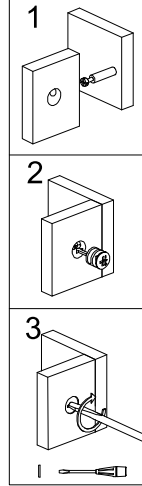
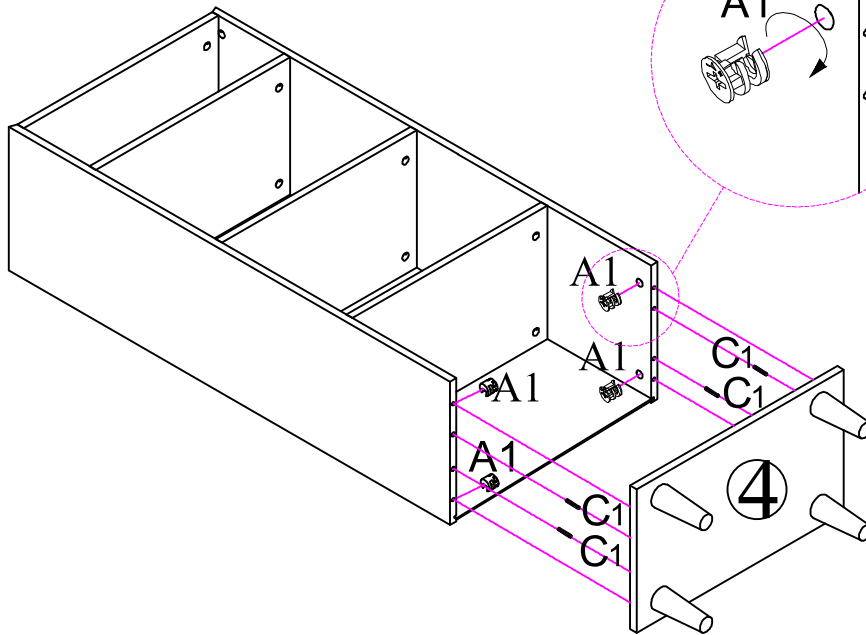
5

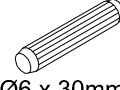



6



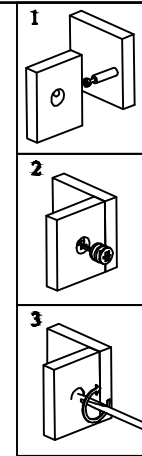
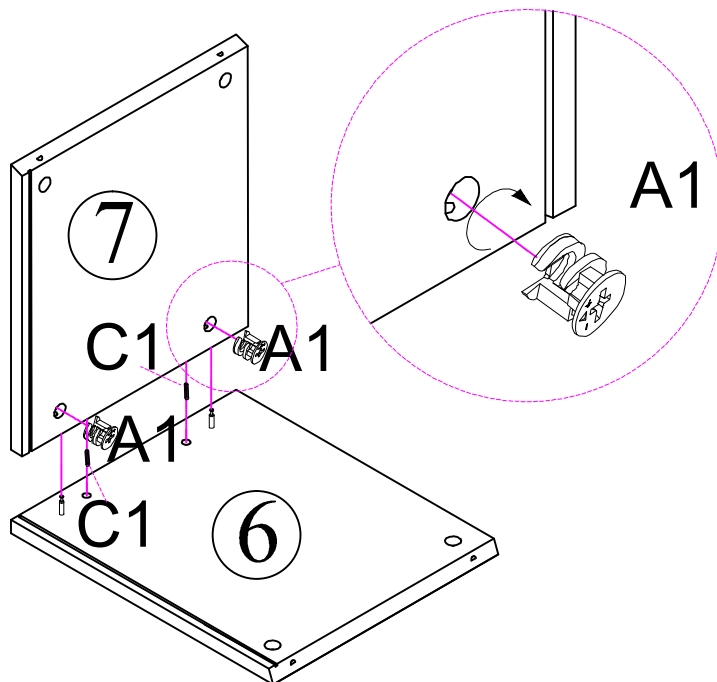
7





C1  $\varnothing 6 \times 30\text{mm}$
x4

A1  $\varnothing 12 \times 10\text{mm}$
x4

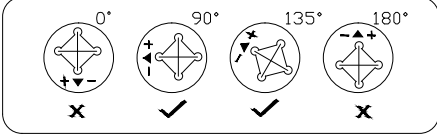
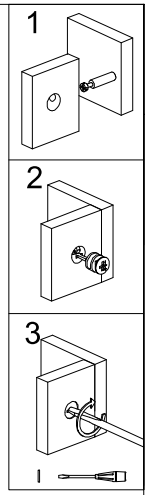
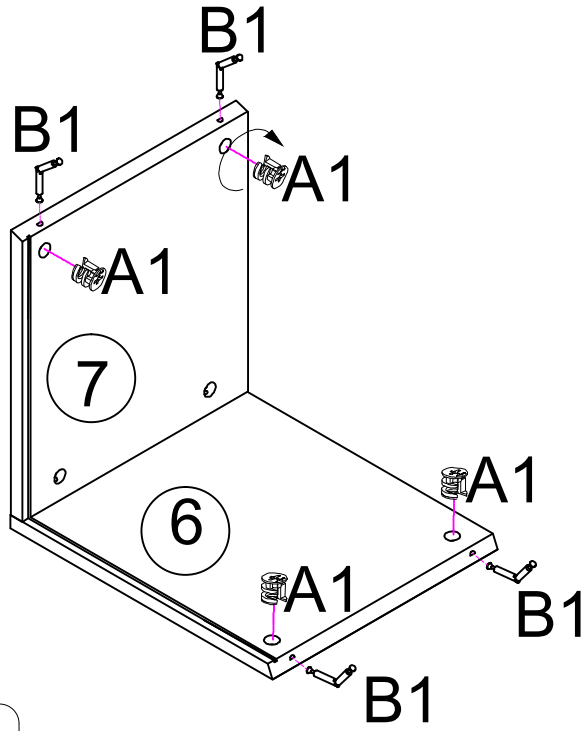
8


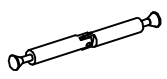


C1  $\varnothing 6 \times 30\text{mm}$
x 2

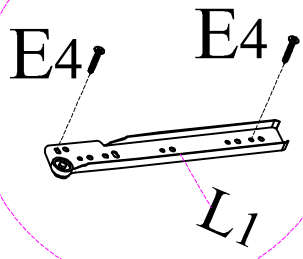
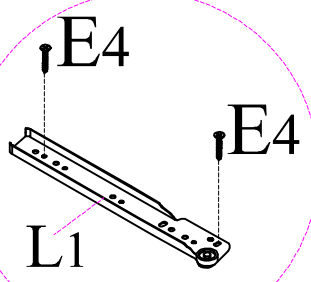
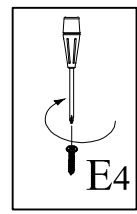
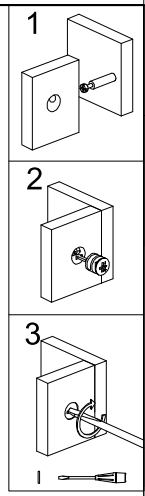
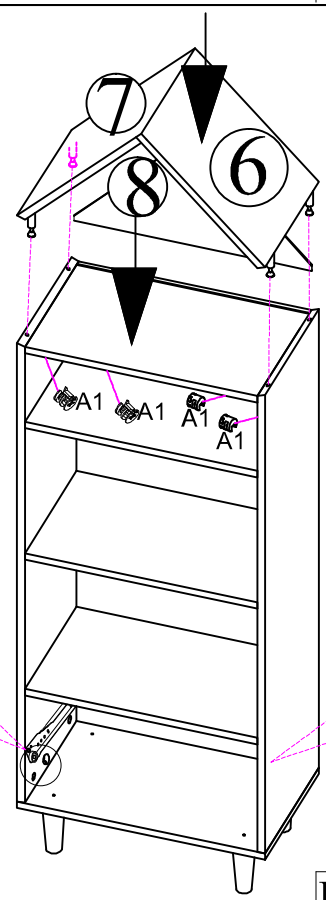
A1  $\varnothing 12 \times 10\text{mm}$
x 2




9



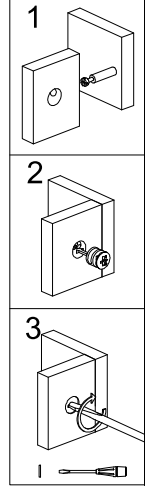
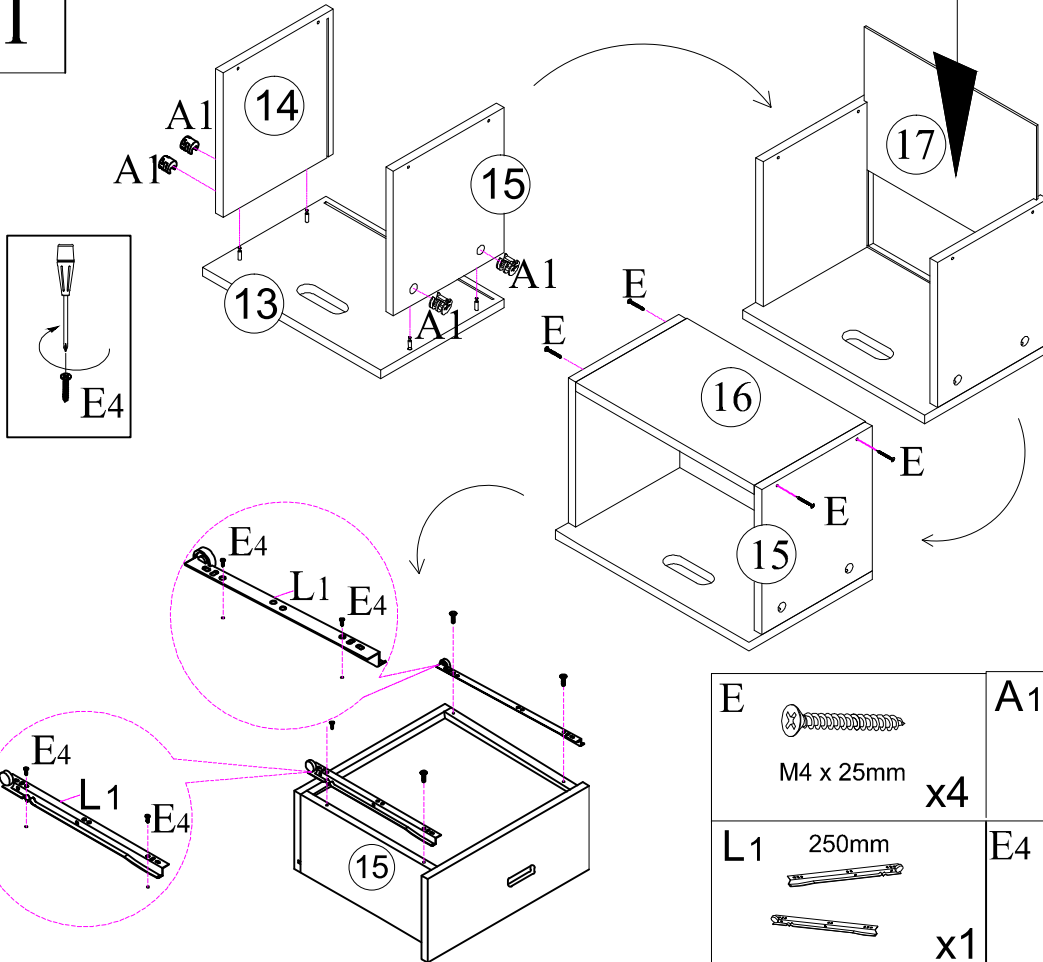
- | | |
|---|---|
| <p>A1</p>  <p>Ø12x10mm</p> <p>x 4</p> | <p>B1</p>  <p>x 4</p> |
|---|---|

10



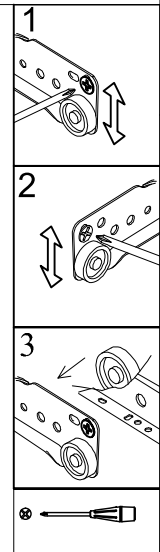
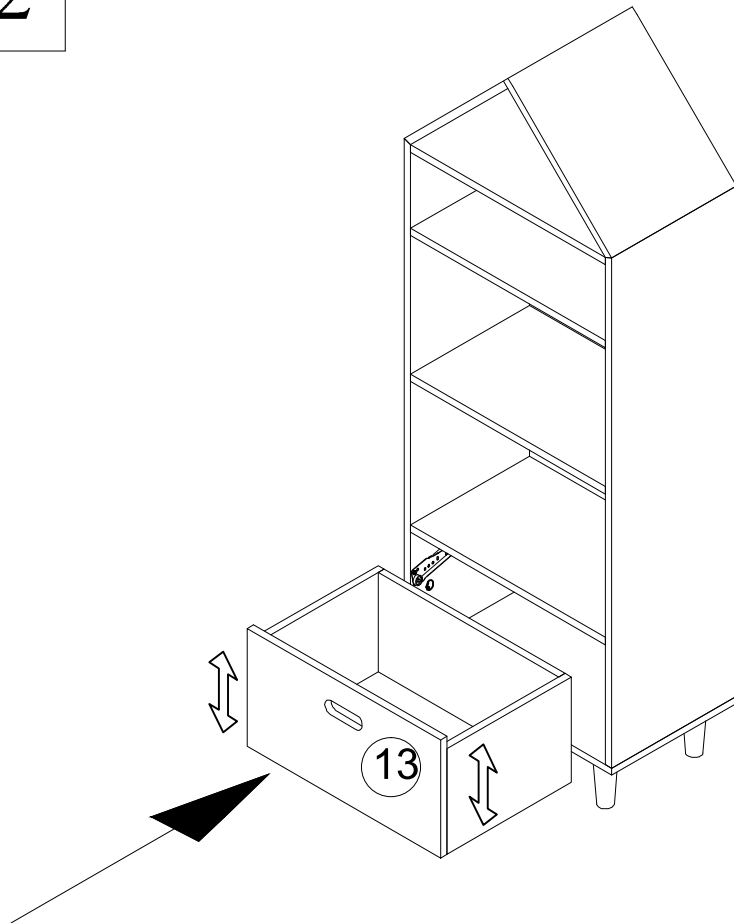
- | | |
|--|---|
| <p>E4</p>  <p>M3x12mm</p> <p>x 4</p> | <p>A1</p>  <p>Ø12x10mm</p> <p>x 4</p> <p>L1 250mm</p>  <p>x 1</p> |
|--|---|

11

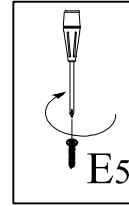
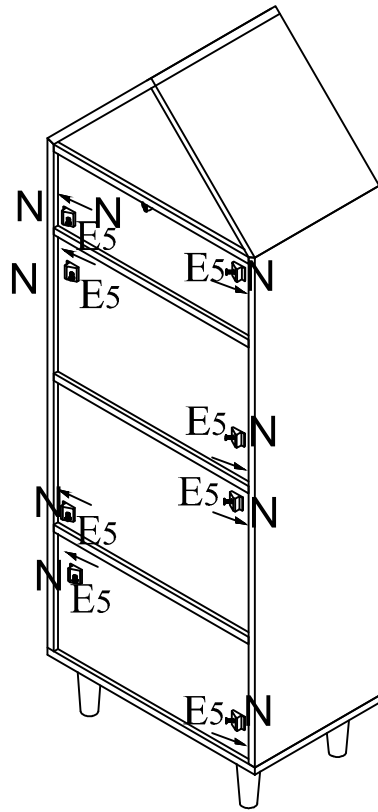




E	M4 x 25mm	A1	Ø12x10mm
	x4		x 4
L1	250mm	E4	M3x12mm
	x1		x4

12

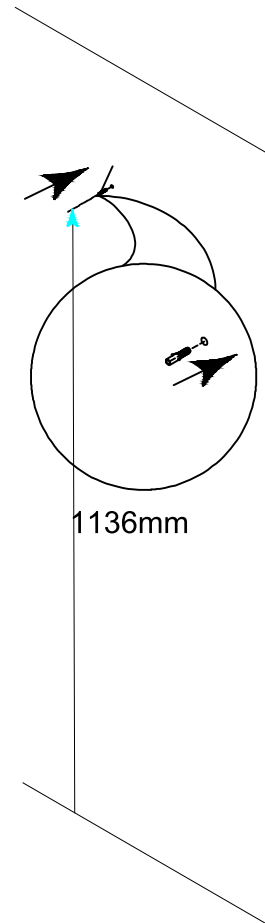
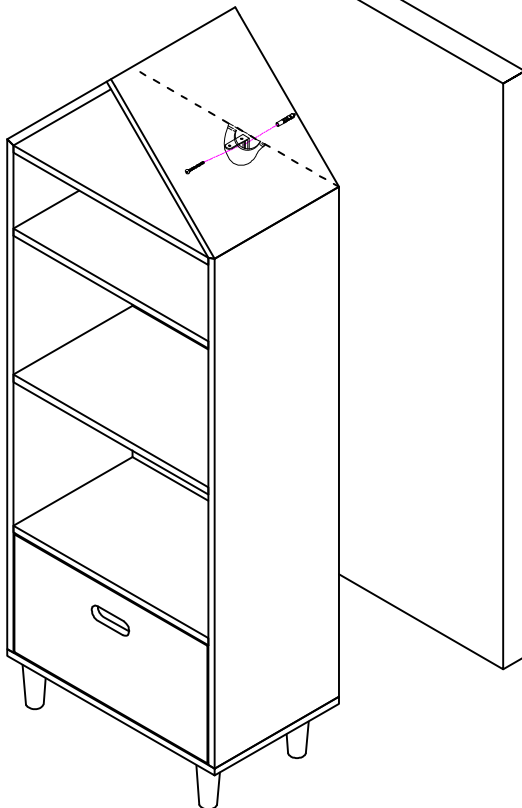


13



<p>E5</p>  <p>M3x 16mm</p> <p>x8</p>	<p>N</p>  <p>x8</p>
---	---

14



Carton	Reference No.	Quantity
1/1	1	1
1/1	2	1
1/1	3	3
1/1	4	1
1/1	5	1
1/1	6	1
1/1	7	1
1/1	8	1
1/1	9	1
1/1	10	1
1/1	11	1
1/1	12	1
1/1	13	1
1/1	14	1
1/1	15	1
1/1	16	1
1/1	17	1
1/1	Accessories	1