

INSTALLATION

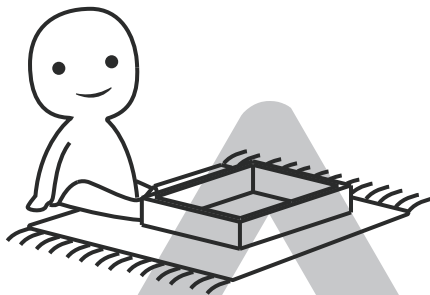
Product Manual

Version: 210275US-01-25A-PF



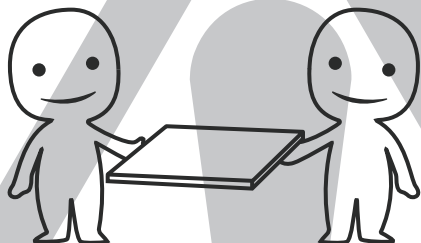
IMPORTANT INFORMATION!

Please read the entire manual before starting to assemble and/or using this product. Follow the manual thoroughly and keep it for further reference.



AVOID SCRATCHES!

In order to avoid scratching this furniture should be assembled on a soft layer-could be a rug.



IMPROVE EFFICIENCY !

Try to find a partner to install with you, which can speed up the installation efficiency and shorten the time.



ANTI-TOPPLE WARNING !

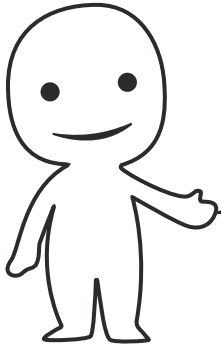
Overturnd furniture can cause serious or fatal crush injuries. To prevent tipping over, be sure to use the wall attachment, if not included with this product. Please purchase the wall attachment that fit your wall. If unsure, seek professional advice. Please read and follow each step of the instructions carefully.

IMPORTANT !

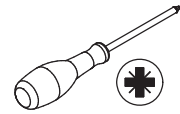
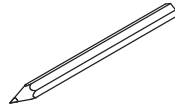
It is important that any product which is assembled using any kind of screw is re-tightened 2 weeks after assembly, and once every 3 months - in order to assure stability through-out the lifespan of the product.

For regular maintenance and cleaning of the product, for the frame, please use a rag dipped in neutral detergent to fully wipe it, and then dry it with a clean rag. For glass materials, wipe with a rag dampened with water glass cleaner, and then dry with a dry rag.

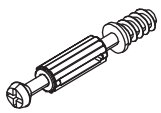
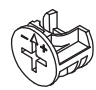
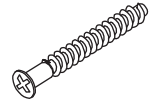

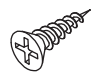

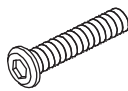
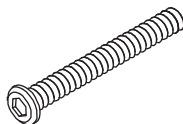

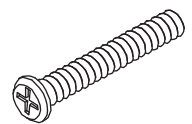


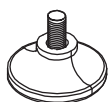
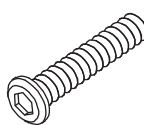
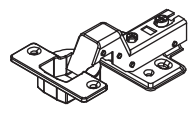
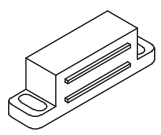
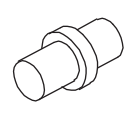
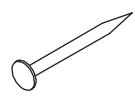

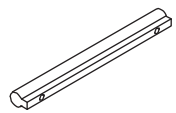
Do not use an electric screwdriver, and do not use too much force when installing, because the board is easy to break.

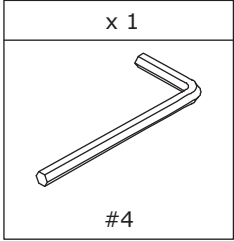
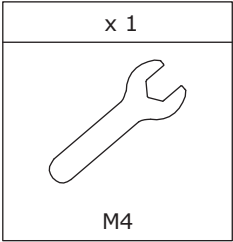
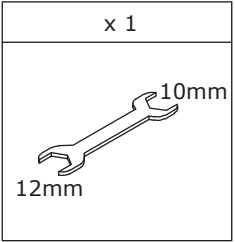
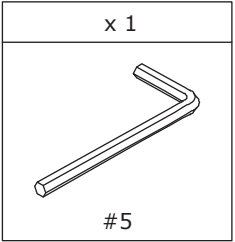
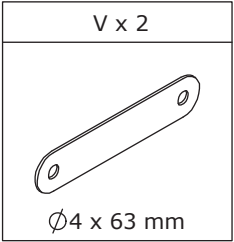
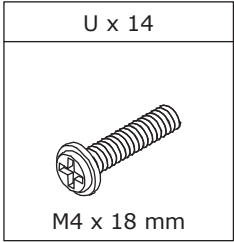


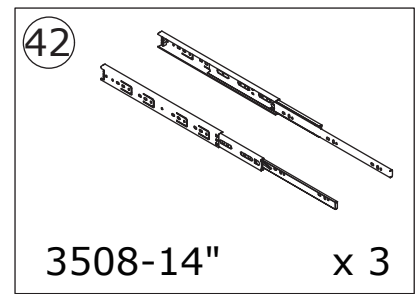
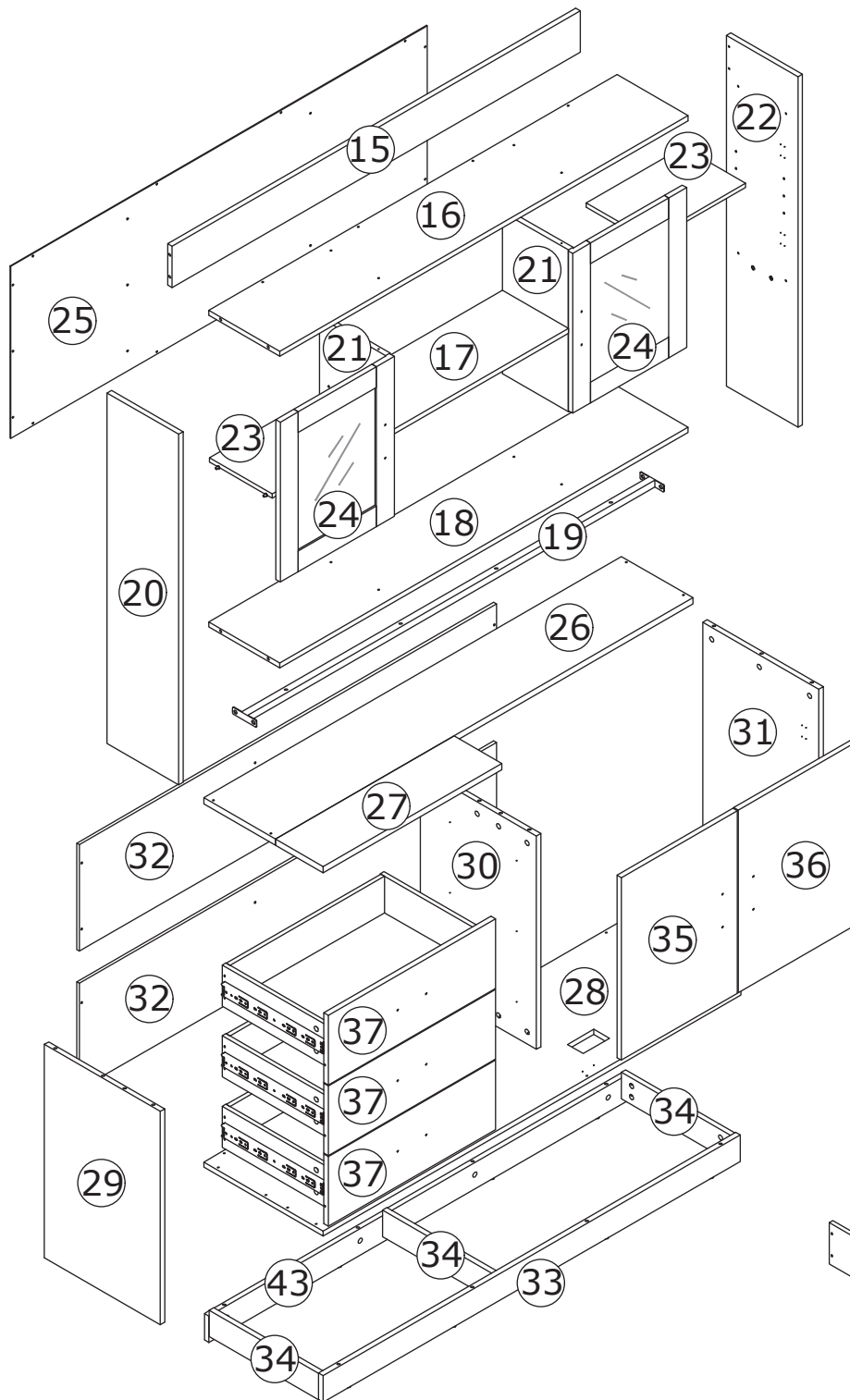
Please prepare the following tools

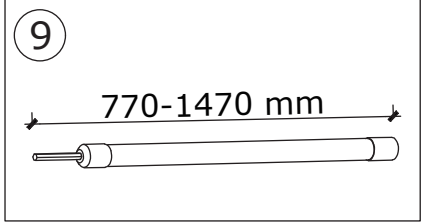
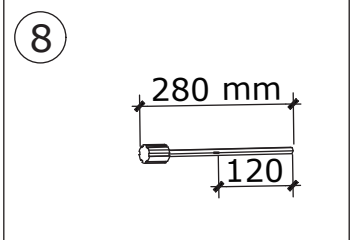
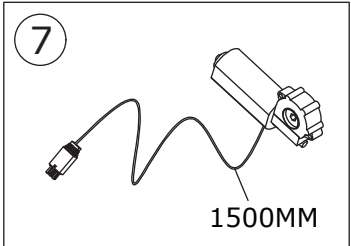
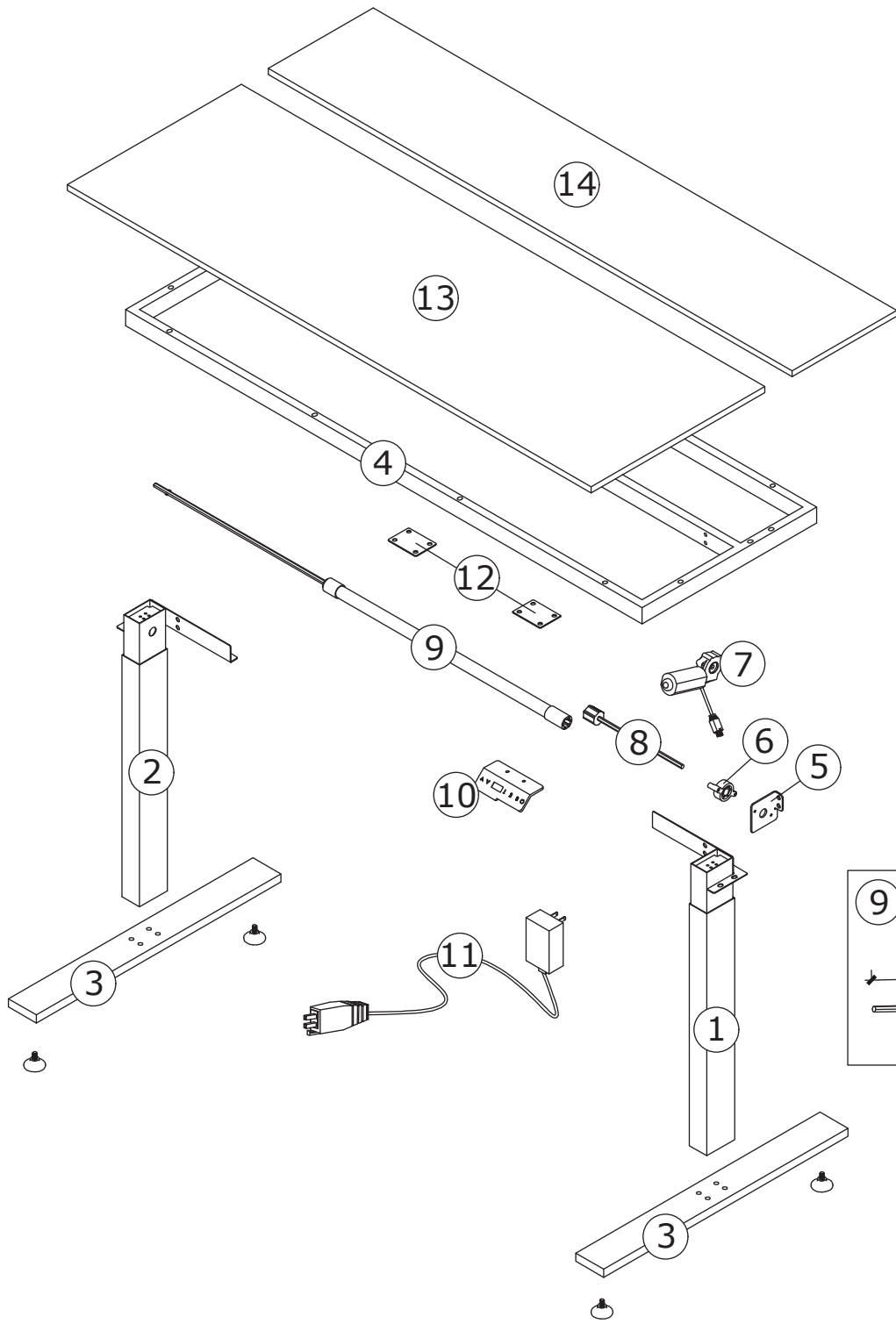


When installing, please carefully confirm whether each screw corresponds to the manual, accessories with similar shapes can be distinguished by size

<p>A x 65</p>  <p>M5 x 42 mm</p>	<p>B x 65</p>  <p>Ø15 x 10 mm</p>	<p>C x 44</p>  <p>M5 x 40 mm</p>	<p>D x 12</p>  <p>M3.5 x 12 mm</p>	<p>E x 98</p>  <p>M3.5 x 14 mm</p>
<p>F x 20</p>  <p>M6 x 12 mm</p>	<p>G x 8</p>  <p>M6 x 30 mm</p>	<p>H x 16</p>  <p>M6 x 50 mm</p>	<p>I x 4</p>  <p>M6</p>	<p>J x 2</p>  <p>M4 x 45 mm</p>
<p>K x 2</p>  <p>M4</p>	<p>L x 2</p>  <p>Ø14 x Ø5 x 1 mm</p>	<p>M x 4</p>  <p>M8 x Ø45 mm</p>	<p>N x 8</p>  <p>M8 x 30 mm</p>	<p>O x 8</p>  <p>DW</p>
<p>P x 2</p> 	<p>Q x 8</p>  <p>Ø5 mm</p>	<p>R x 30</p>  <p>Ø1.5 x 15 mm</p>	<p>S x 4</p>  <p>Ø7 x 9 mm</p>	<p>T x 7</p>  <p>220-96</p>





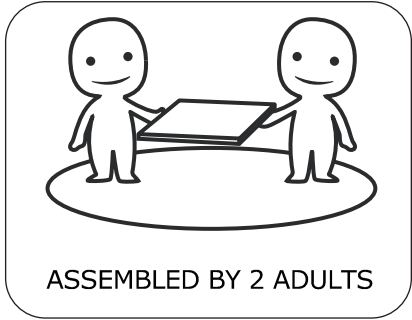


⚠ WARNING

Children have died from furniture tipover. To reduce the risk of furniture tipover:

- ALWAYS install Anti-tip device provided.
- NEVER put a TV on this product.
- NEVER allow children to stand, climb or hang on any drawers, doors, or shelves.
- NEVER open more than one drawer at a time.
- Place heaviest items in the lowest drawers.

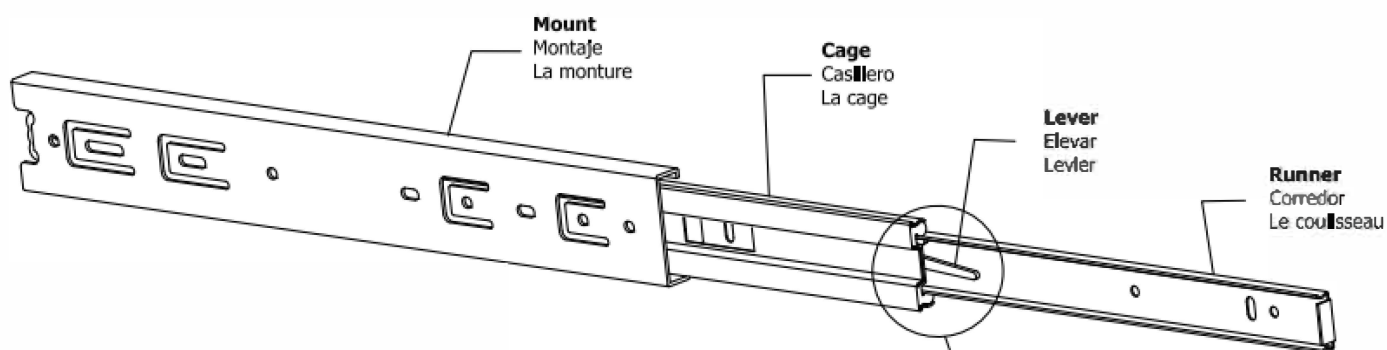
This is a permanent label. Do not remove!



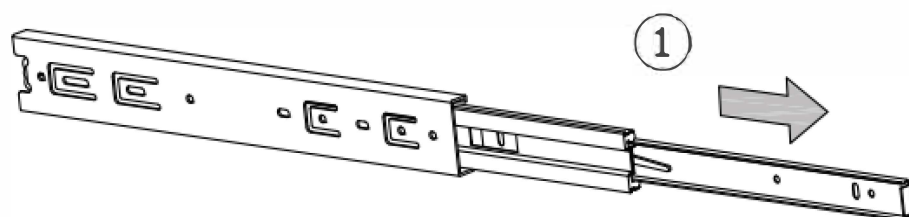
**Slides Must Be Separated Before Assembly.
After Separated, Set Aside Until Needed for Assembly.**

Las diapositivas deben separarse antes del montaje.
Después de la separación, déjelo a un lado hasta que sea necesario.

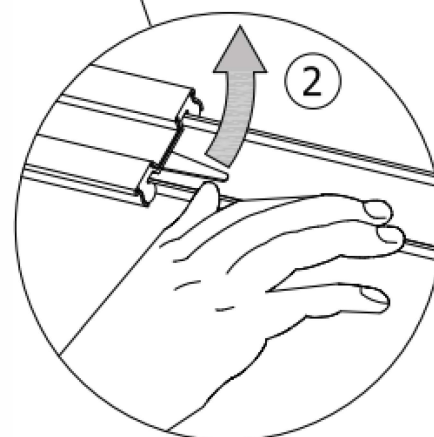
Les glissières doivent être séparées avant l'assemblage.
Après la séparation, mettez de côté jusqu'au moment de l'assemblage.



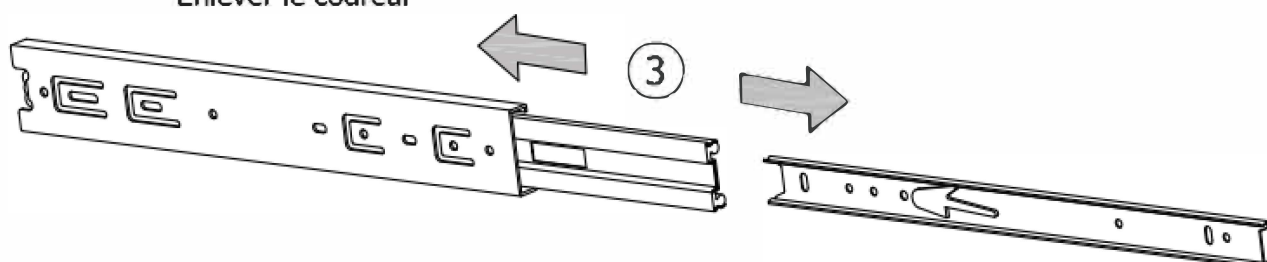
STEP 1: Extend Slide
Extender la diapositiva
Extendre la diapositive



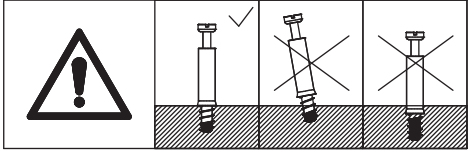
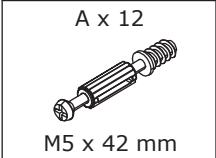
STEP 2: Push Lever UP
Empujar hacia arriba
Lever le levier



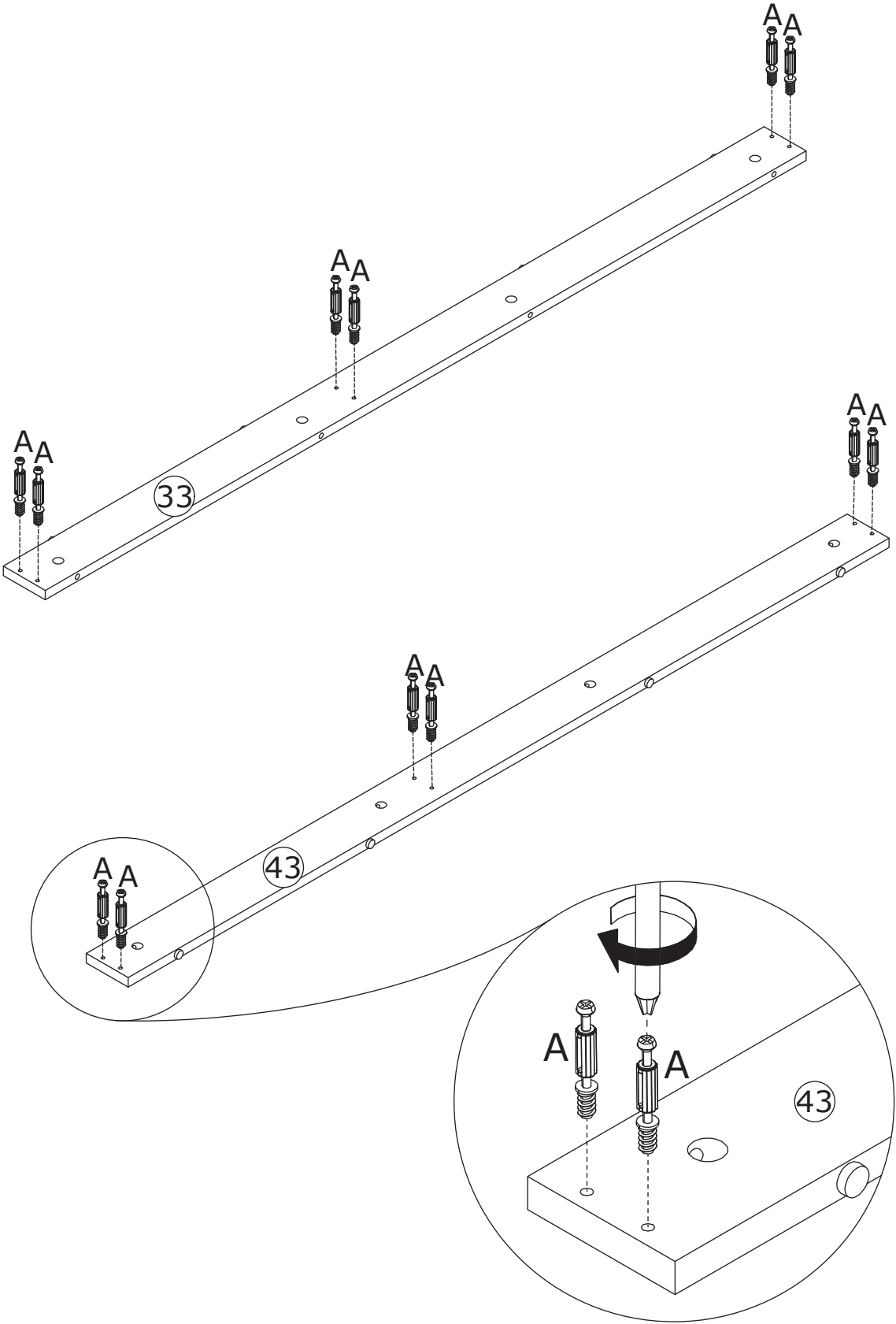
STEP 3: Remove Runner
Quitar el corredor
Enlever le coureur



1

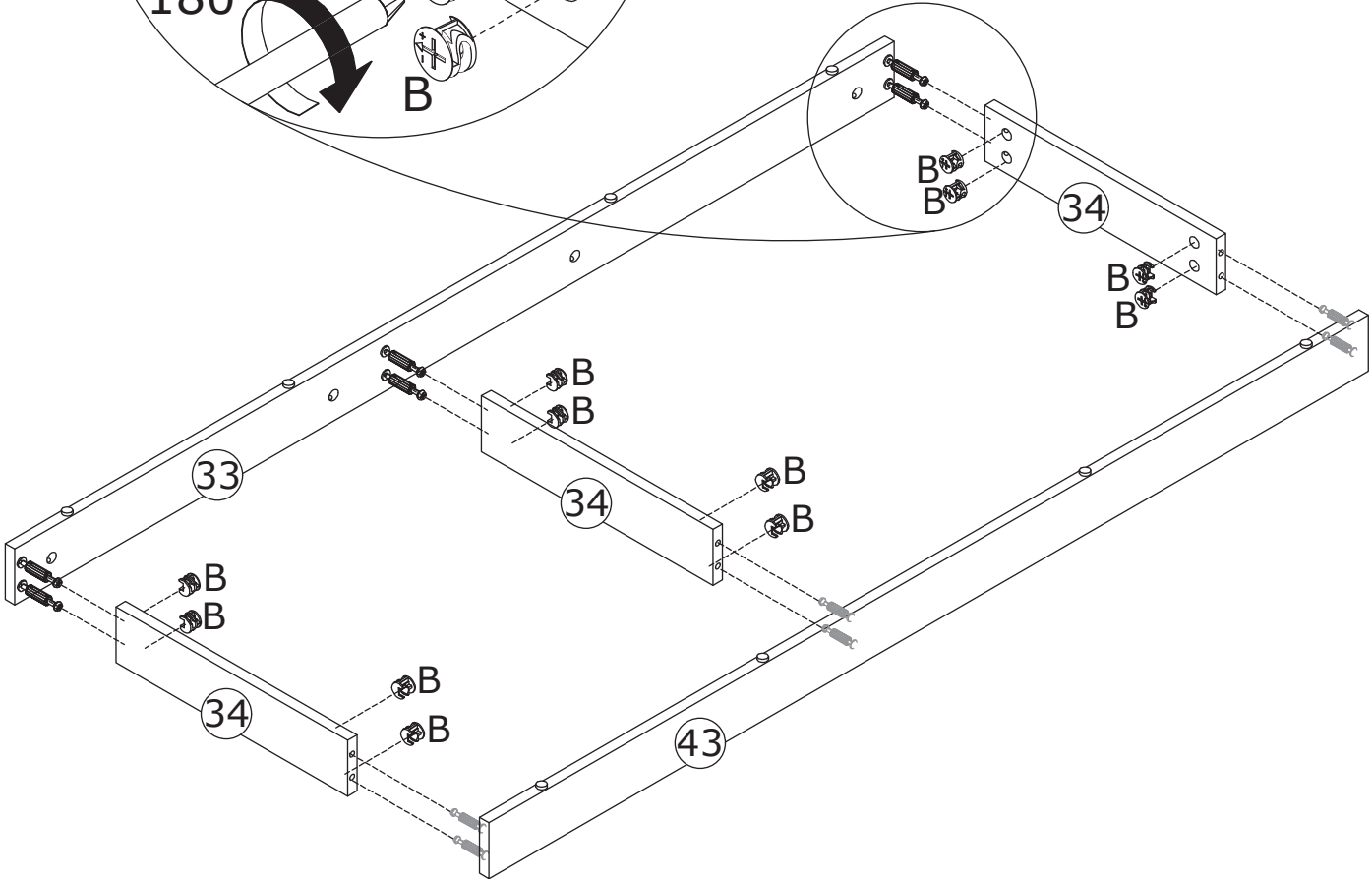
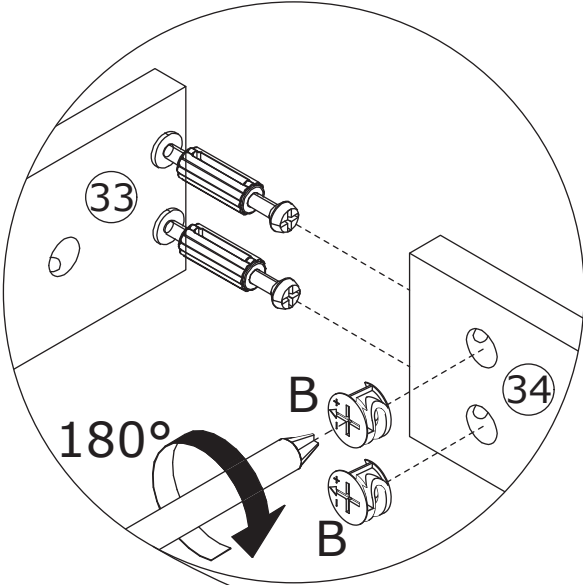
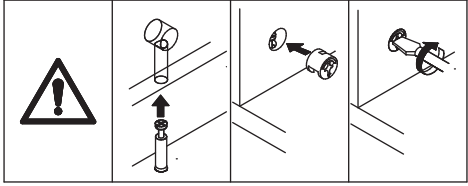
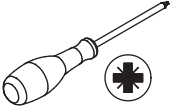


Screw eccentric rod(A) into panel 33 and 43 as shown.



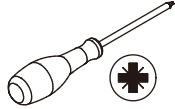
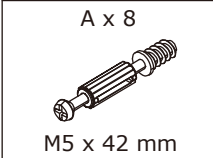
2

B x 12
Ø 15 x 10 mm

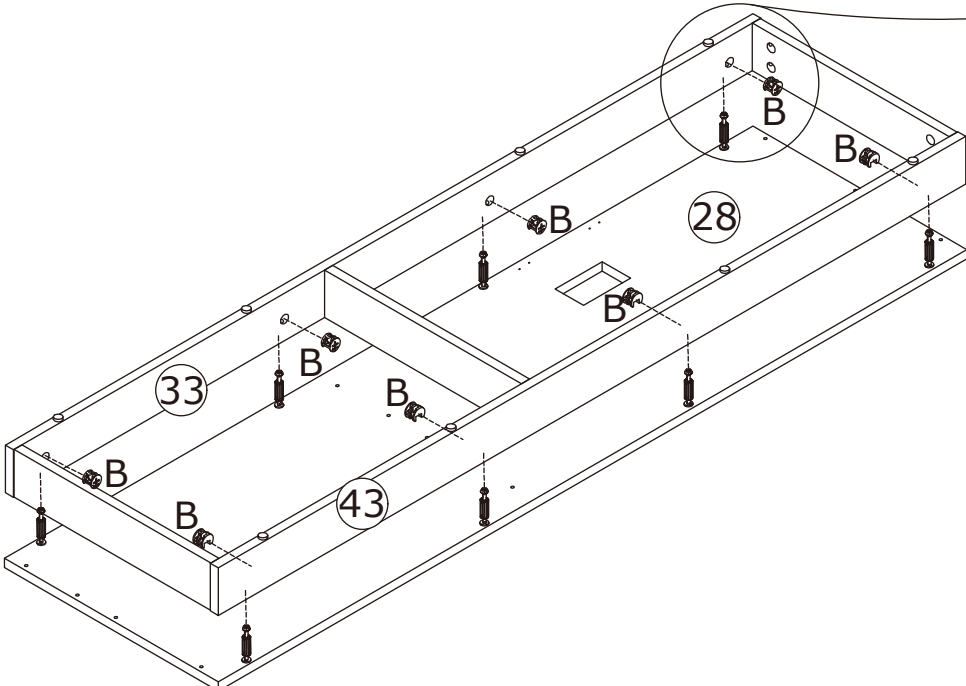
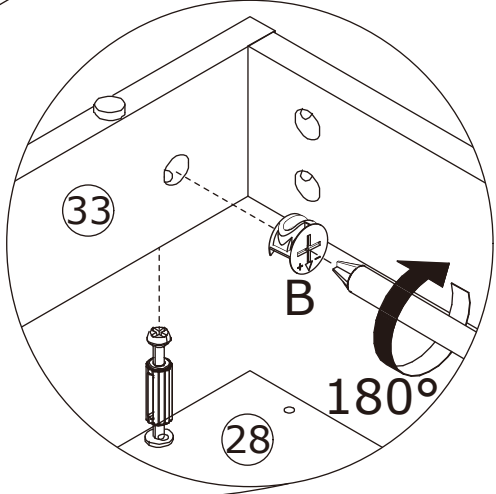
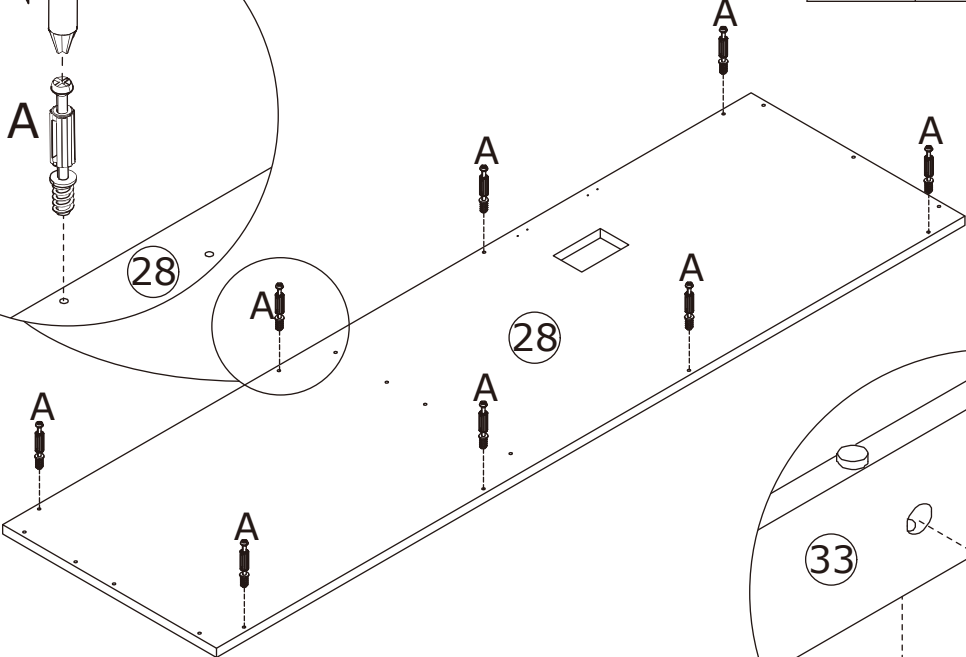
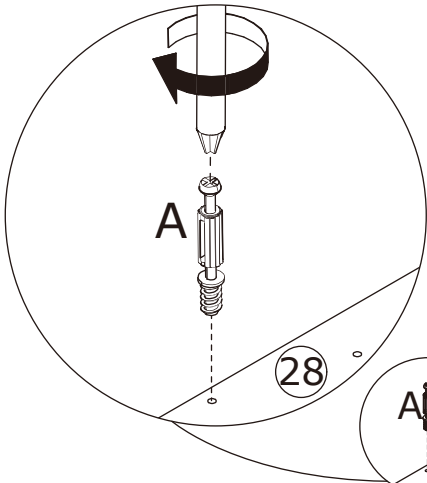
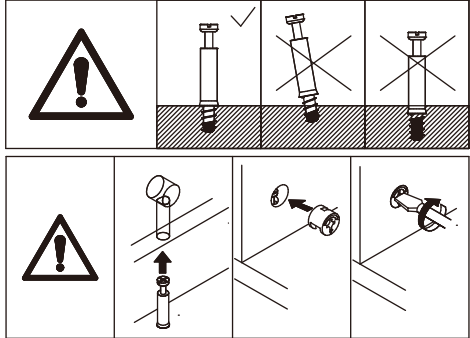


Connect panel 33 and 43 to panel 34, add cam lock(B) into panel 34 and turn clockwise to tighten as shown.

3

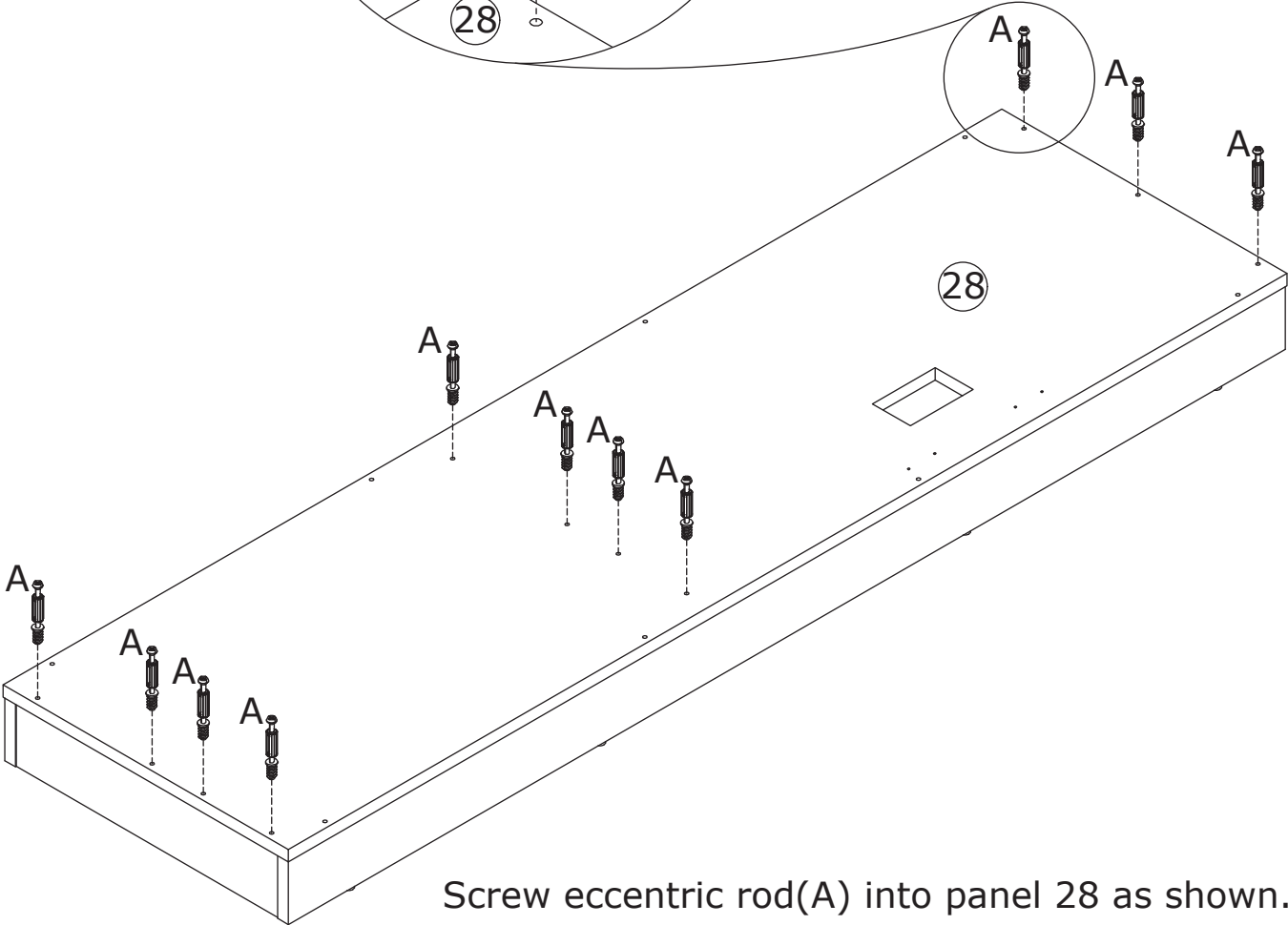
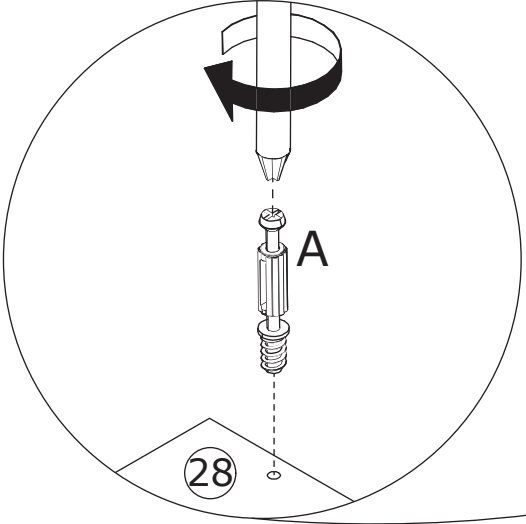
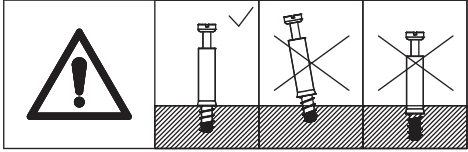
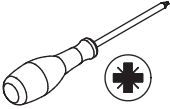


Screw eccentric rod(A) into panel 28 as shown. Attach the component to panel 33,43 and turn clockwise to tighten as shown.



4

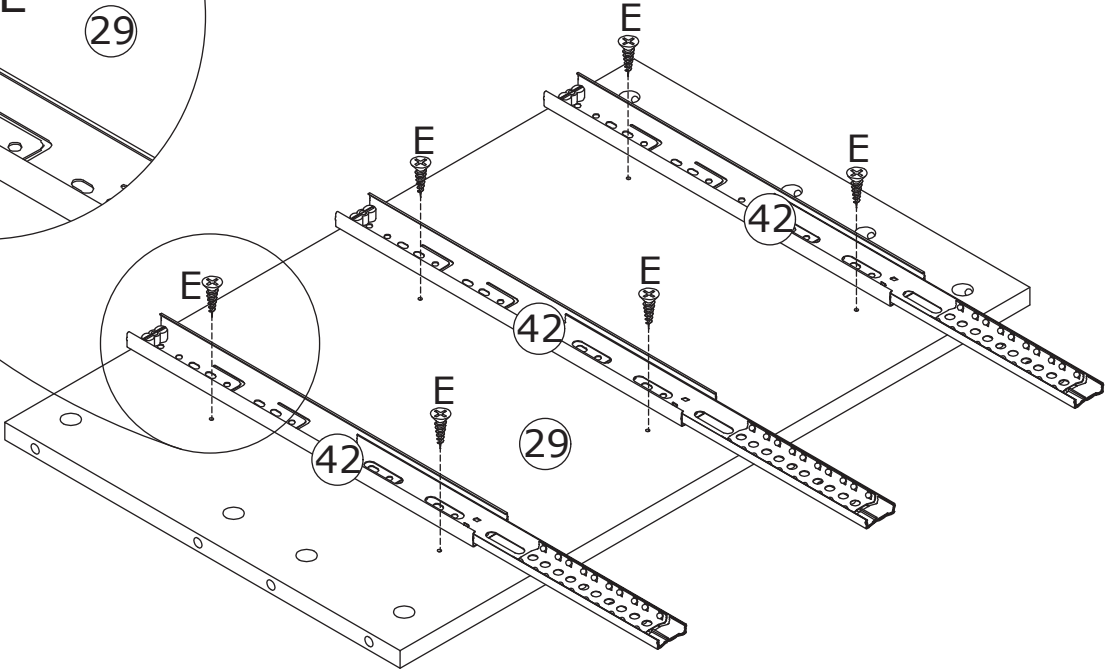
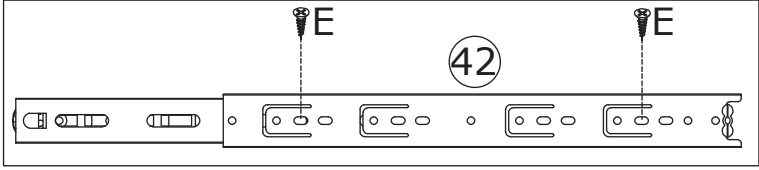
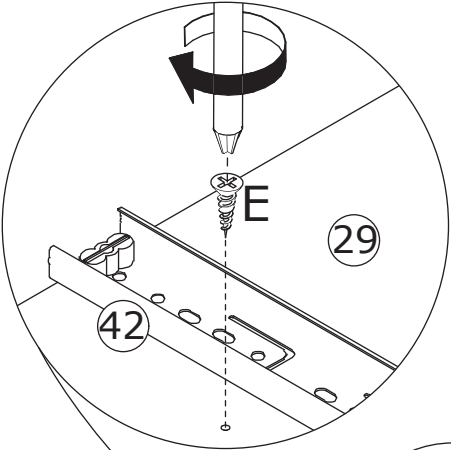
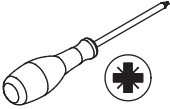
A x 11
M5 x 42 mm



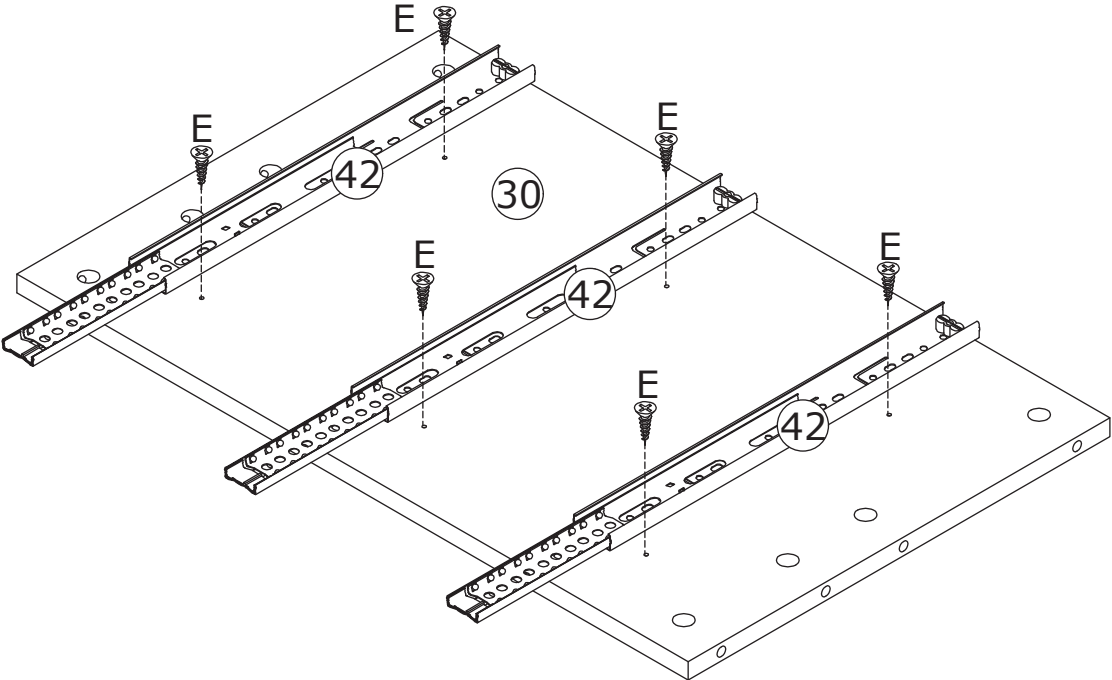
Screw eccentric rod(A) into panel 28 as shown.

5

E x 12
M3.5 x 14 mm

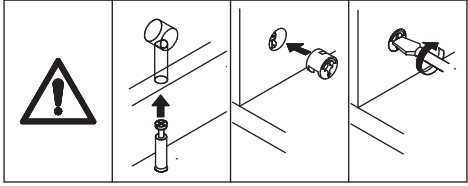
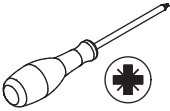


Separate slide into two parts at first.
Fix rail 42 to panel 29 and 30 with screw(E) as shown.

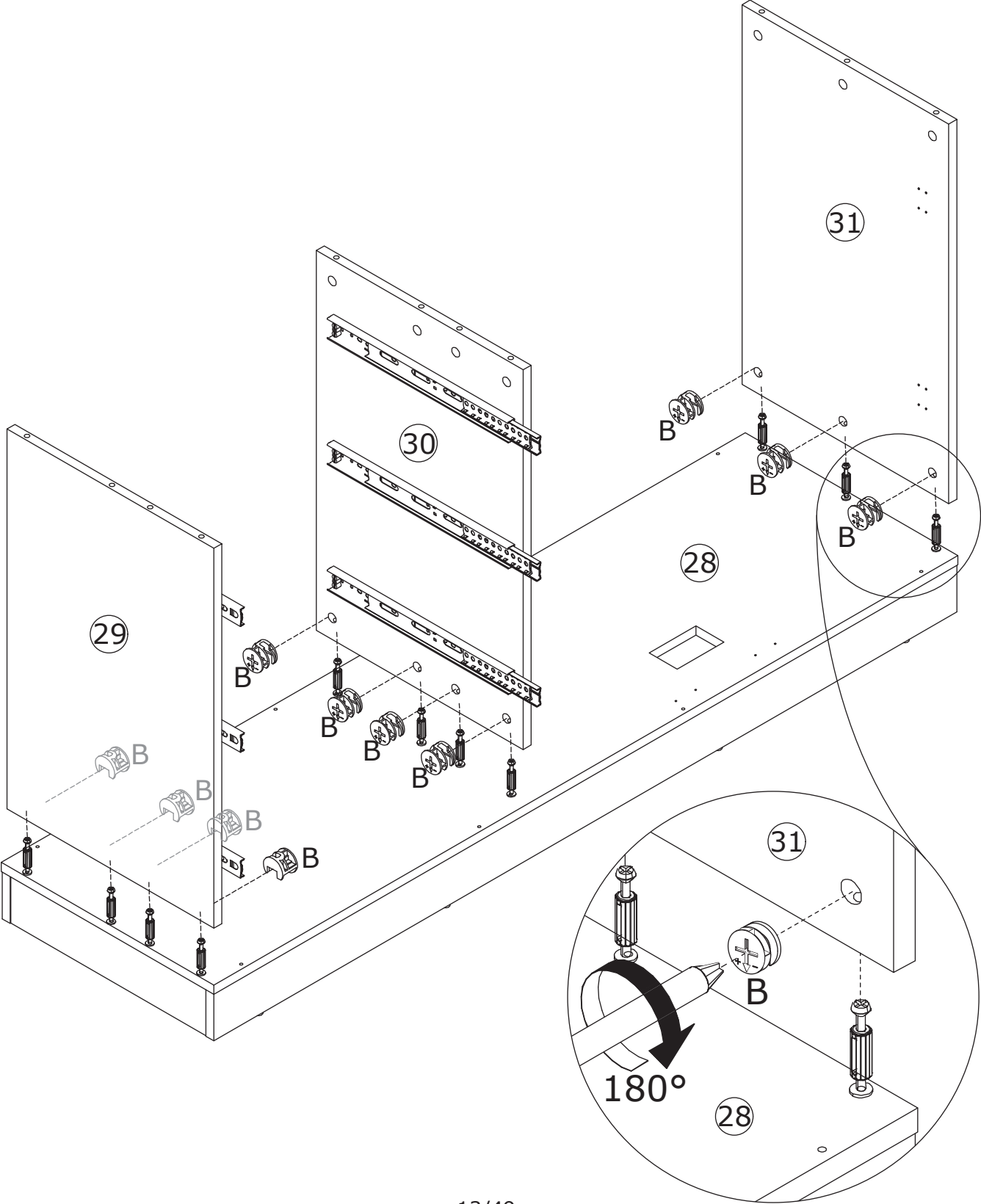


6

B x 11
Ø 15 x 10 mm

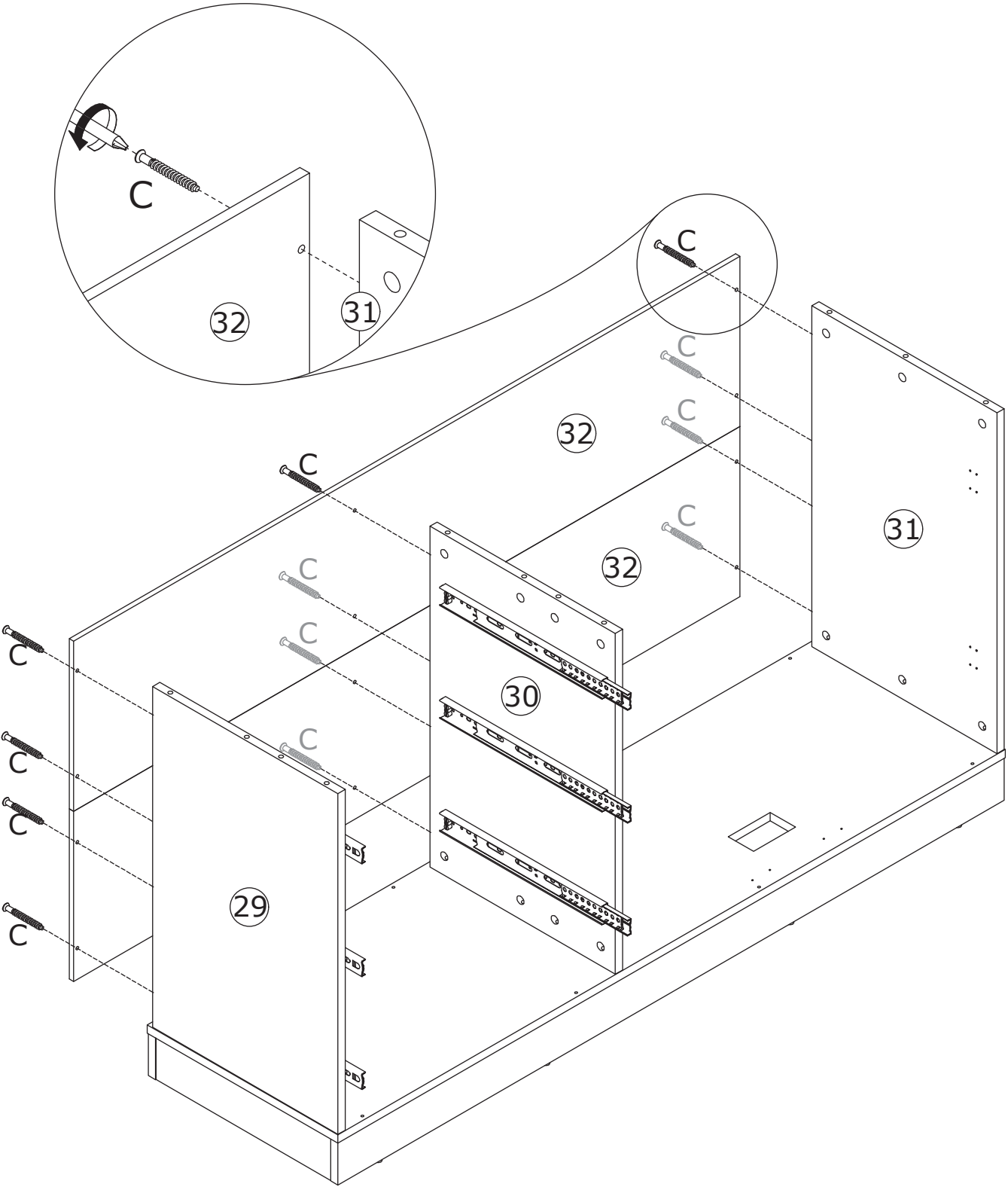
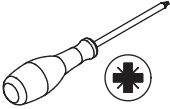


Attach panel 29, 30 and 31 to panel 28, add cam lock(B) into and turn clockwise to tighten as shown.





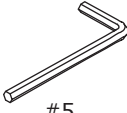
7

C x 12
M5 x 40 mm



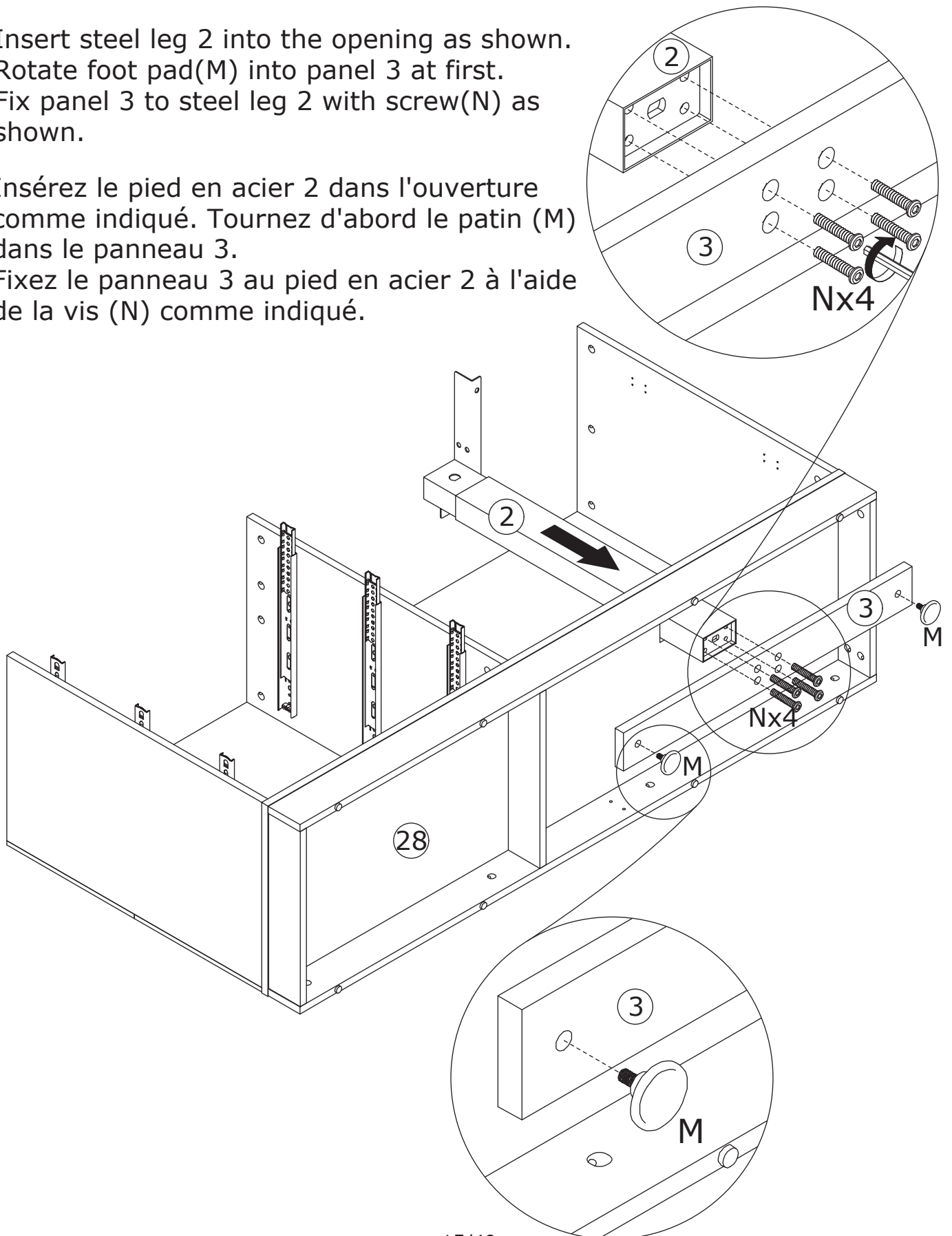
Fix panel 32 to back with screw(C) as shown.

8

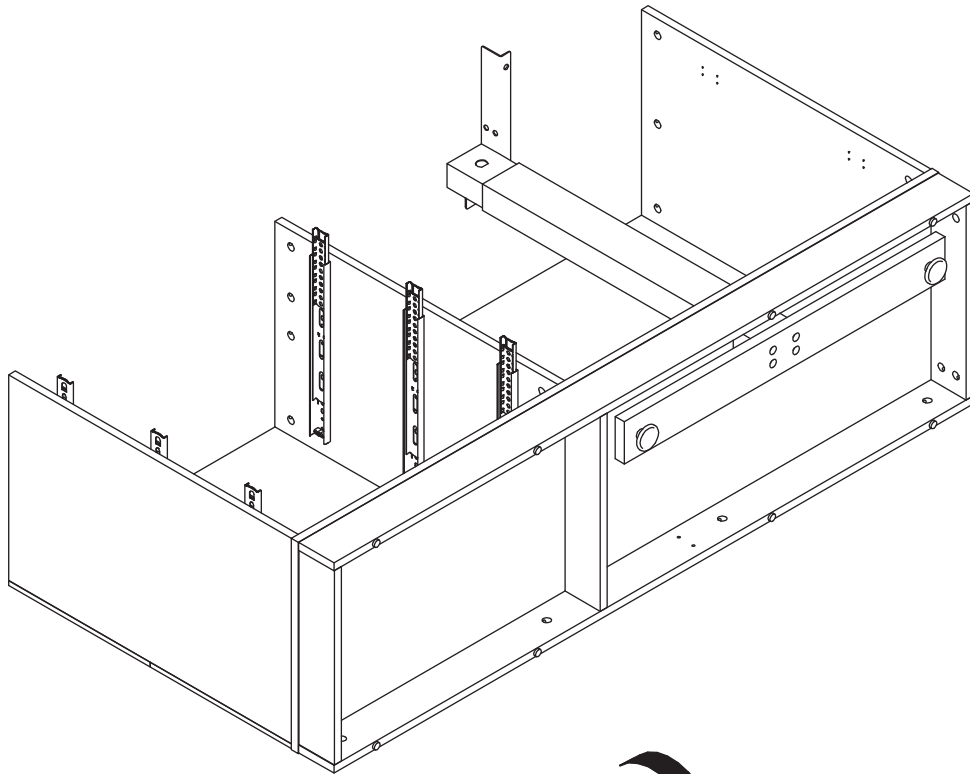
<p>M x 2</p>  <p>M8 x \varnothing45 mm</p>	<p>N x 4</p>  <p>M8 x 30 mm</p>	<p>x 1</p>  <p>#5</p>	
--	--	--	--

Insert steel leg 2 into the opening as shown. Rotate foot pad(M) into panel 3 at first. Fix panel 3 to steel leg 2 with screw(N) as shown.

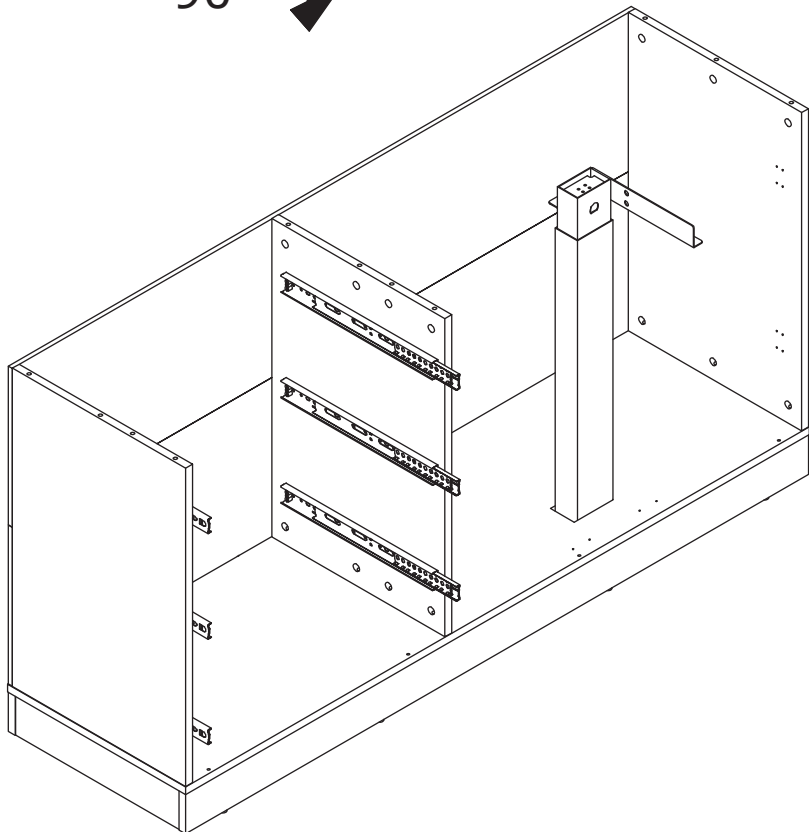
Insérez le pied en acier 2 dans l'ouverture comme indiqué. Tournez d'abord le patin (M) dans le panneau 3. Fixez le panneau 3 au pied en acier 2 à l'aide de la vis (N) comme indiqué.



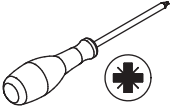
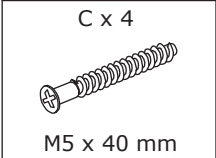
9



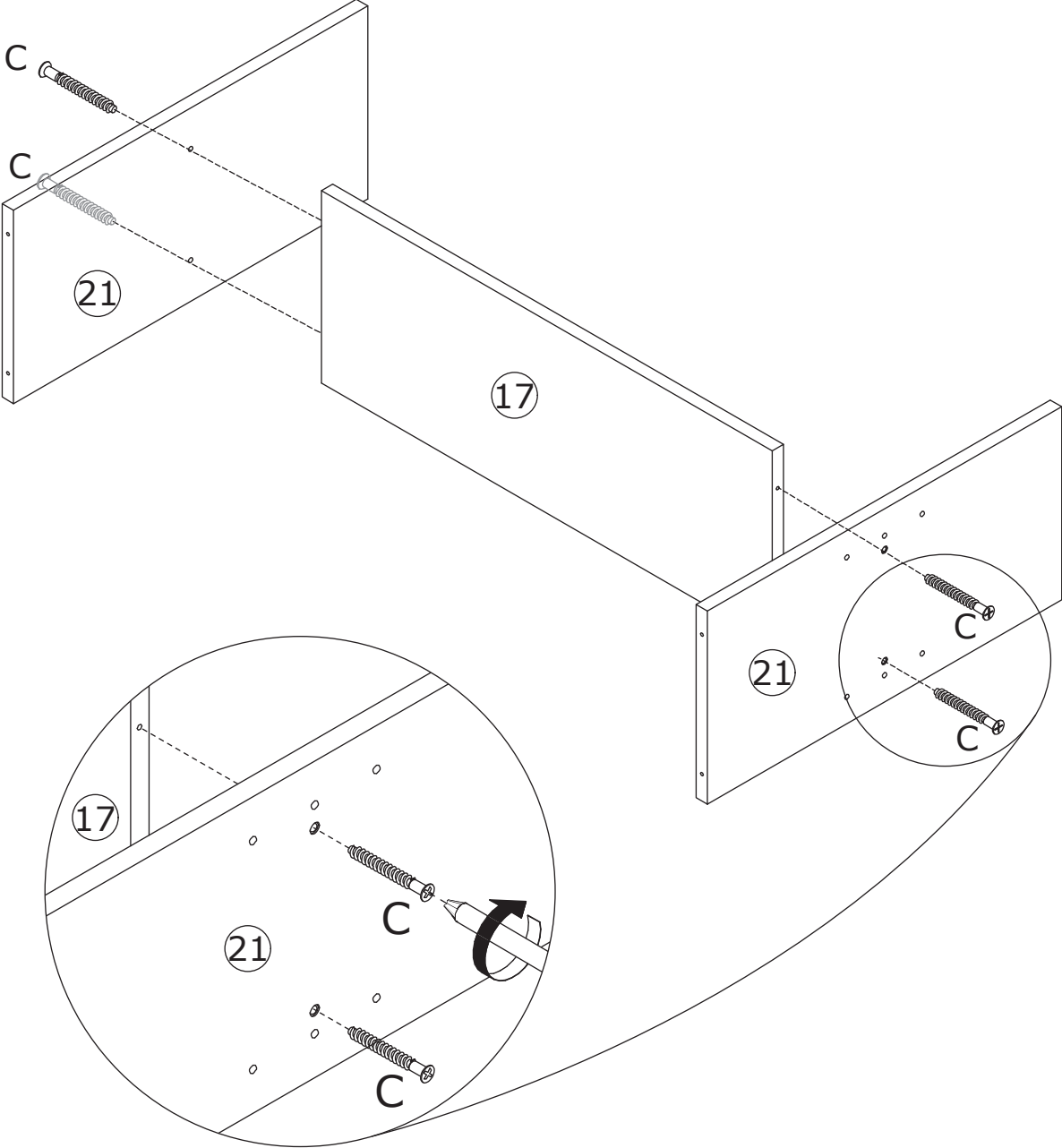
90°



10

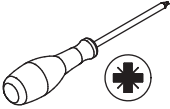


Fix panel 17 to panel 21 with screw(C) as shown.

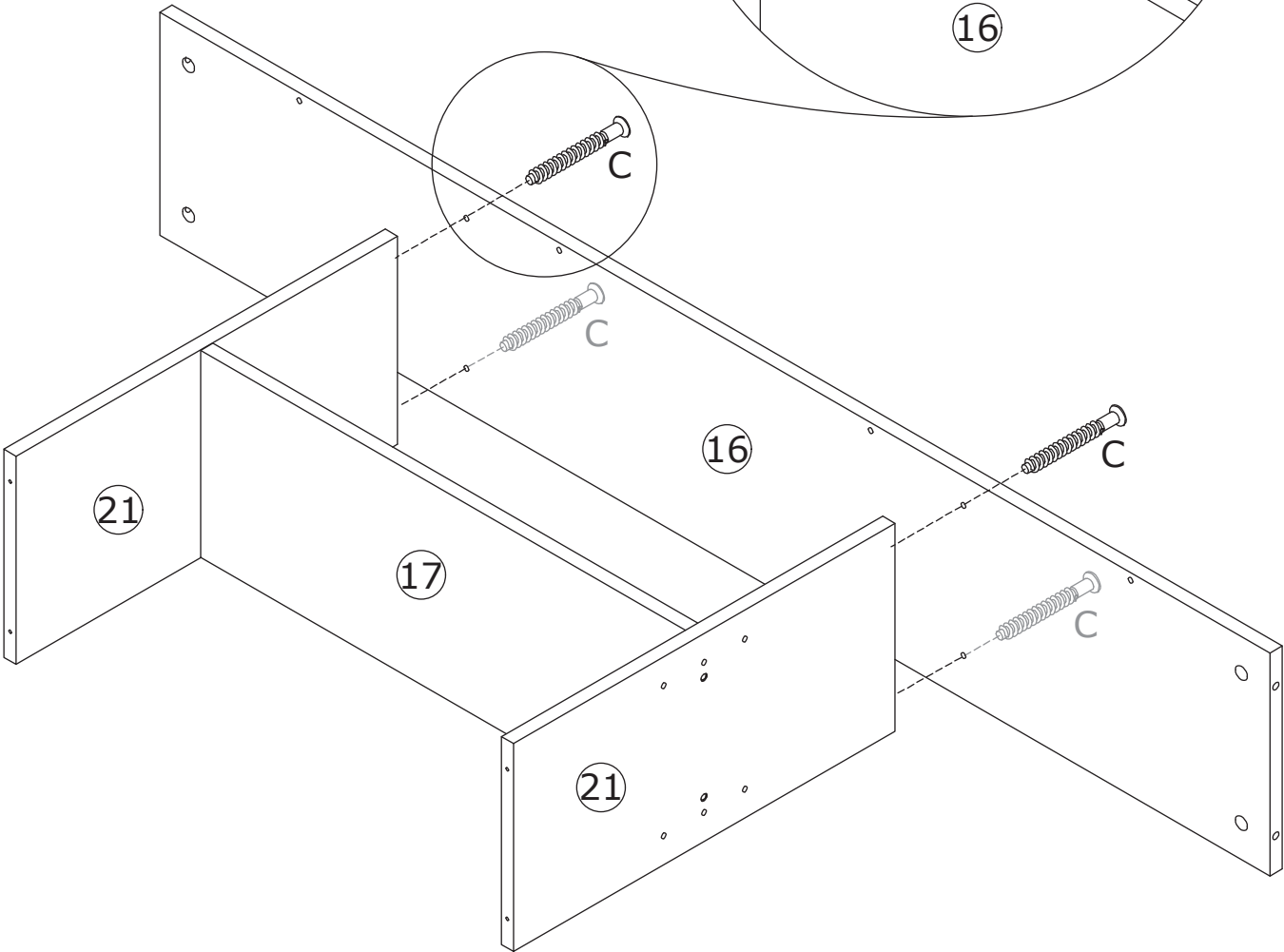
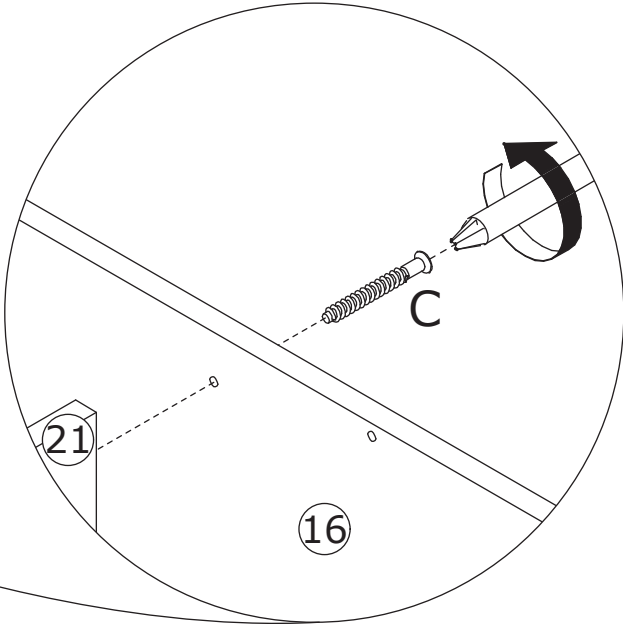


11

C x 4
M5 x 40 mm

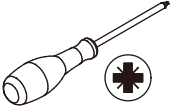


Fix panel 16 to panel 21 with screw(C) as shown.

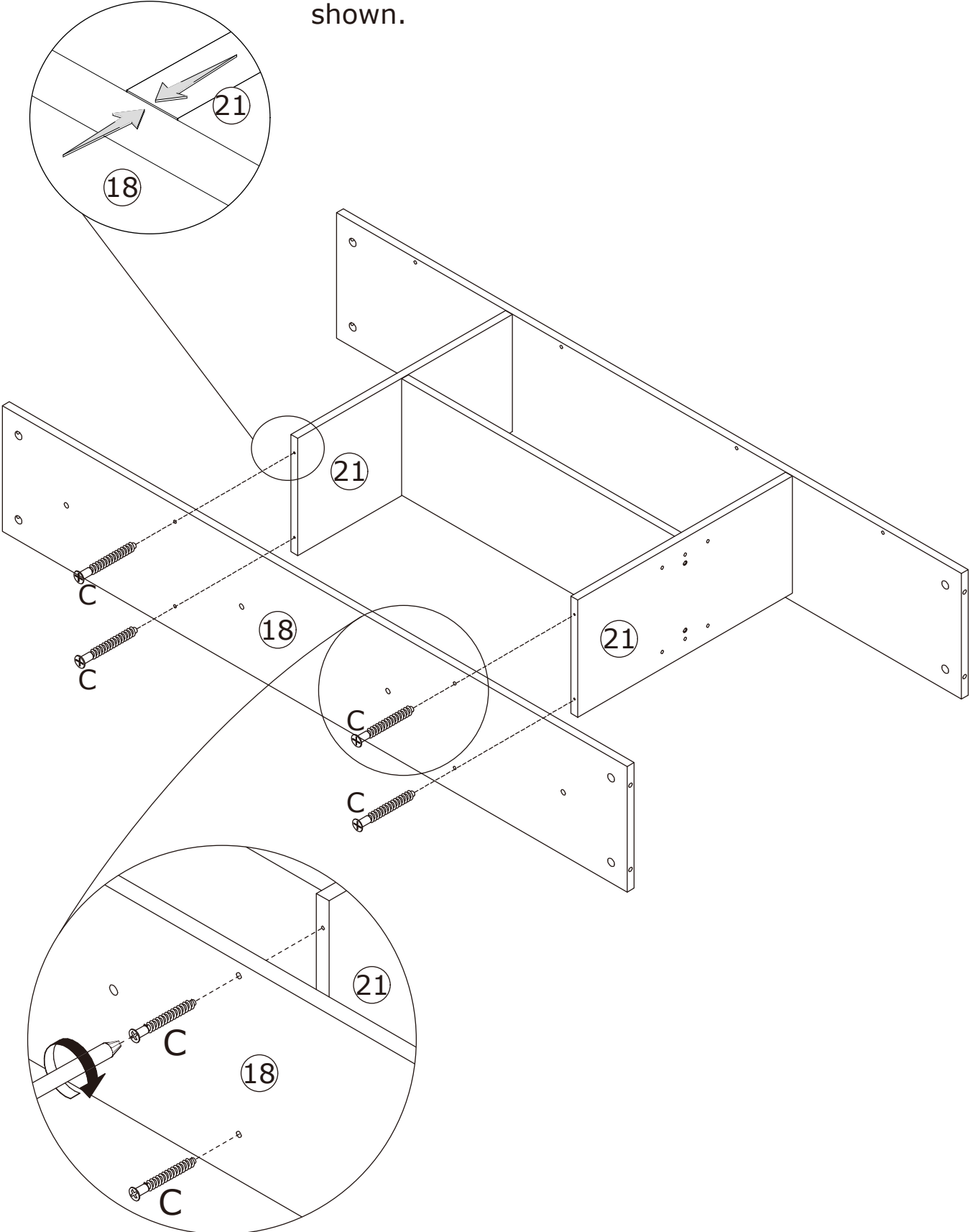


12

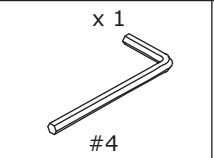
C x 4
M5 x 40 mm



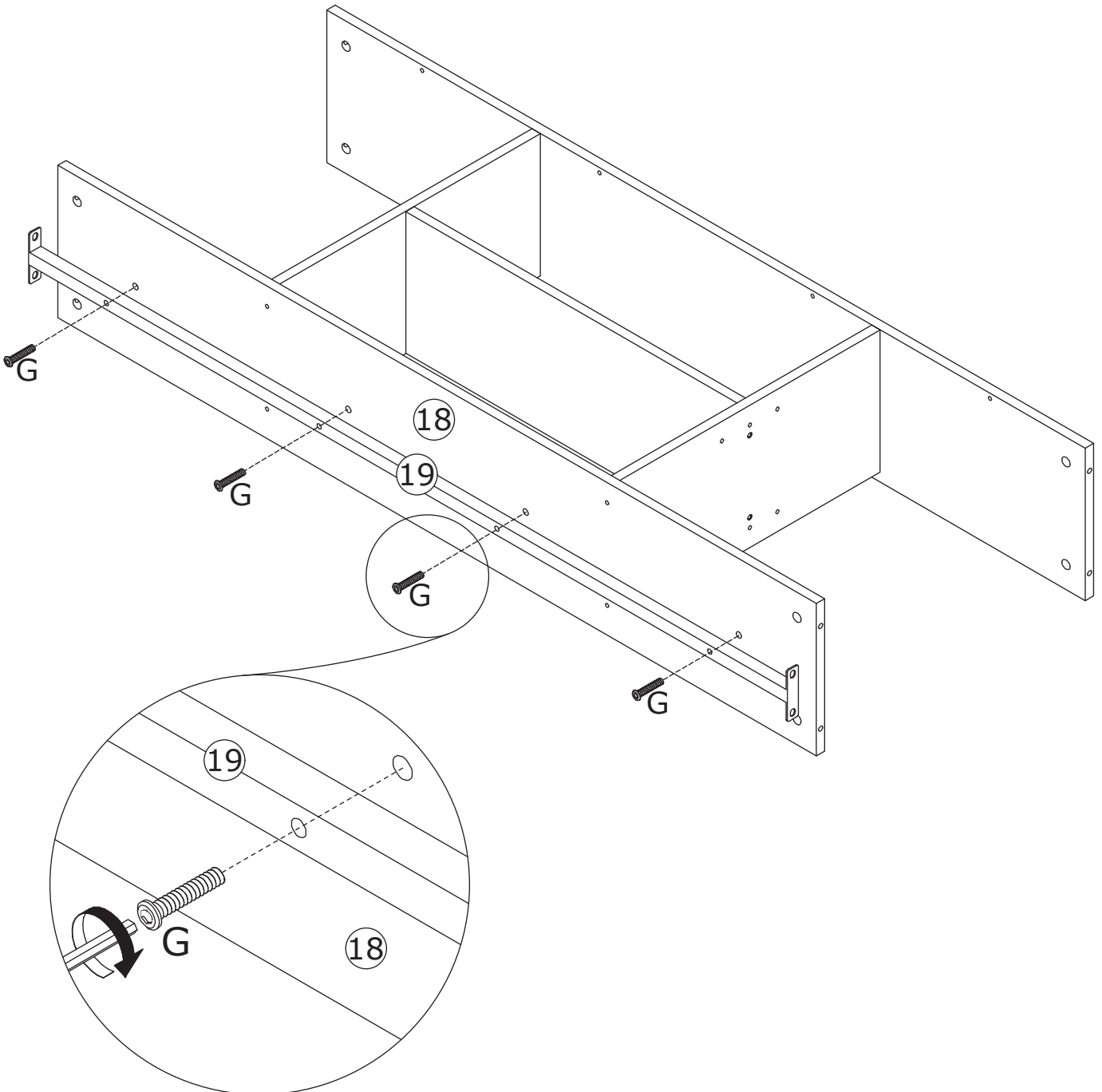
Fix panel 18 to panel 21 with screw(C) as shown.



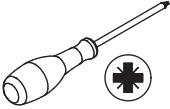
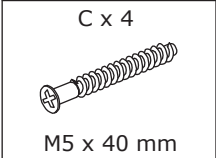
13



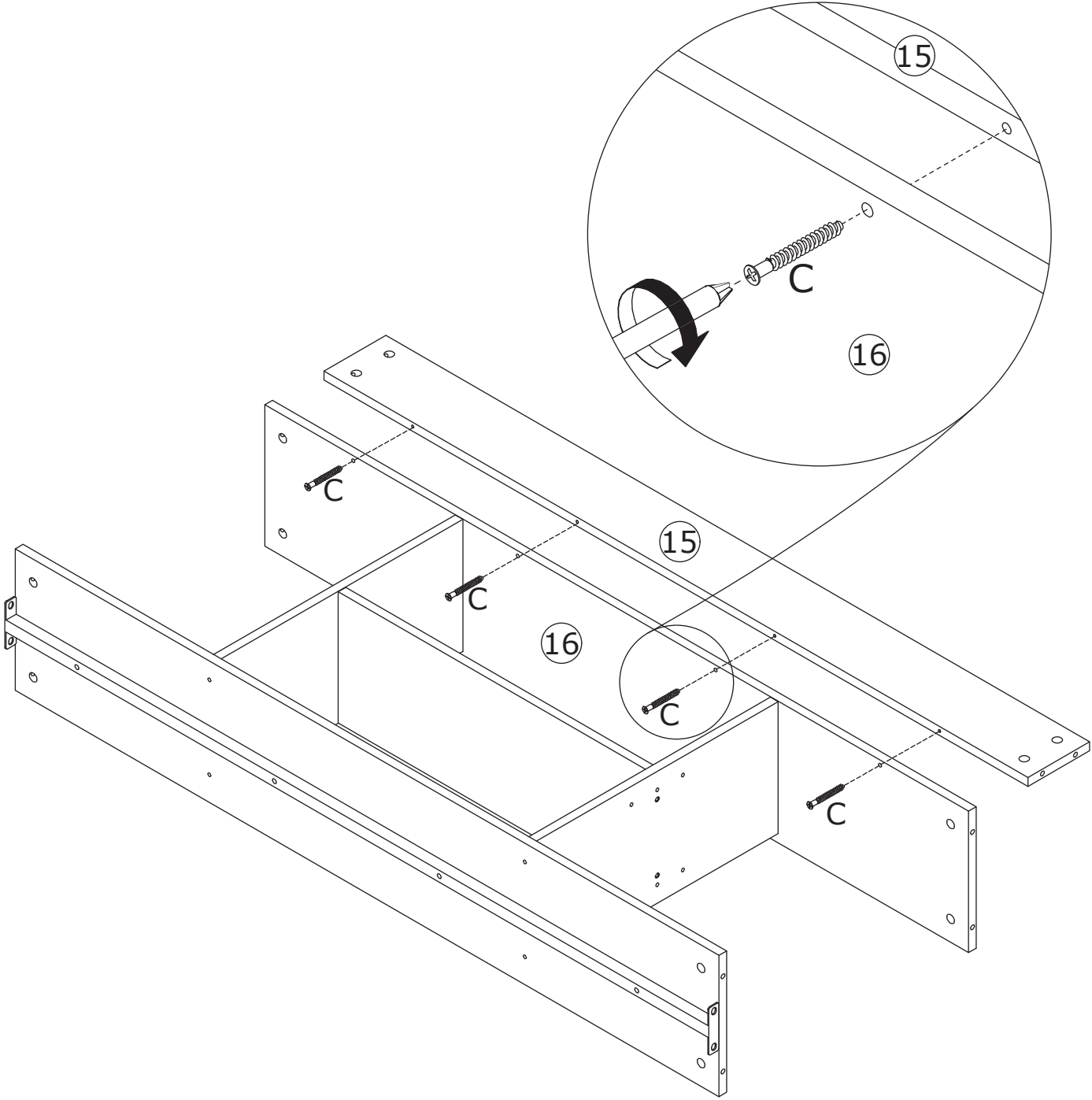
Fix tube 19 to panel 18 with screw(G) as shown.



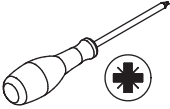
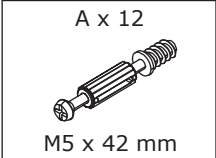
14



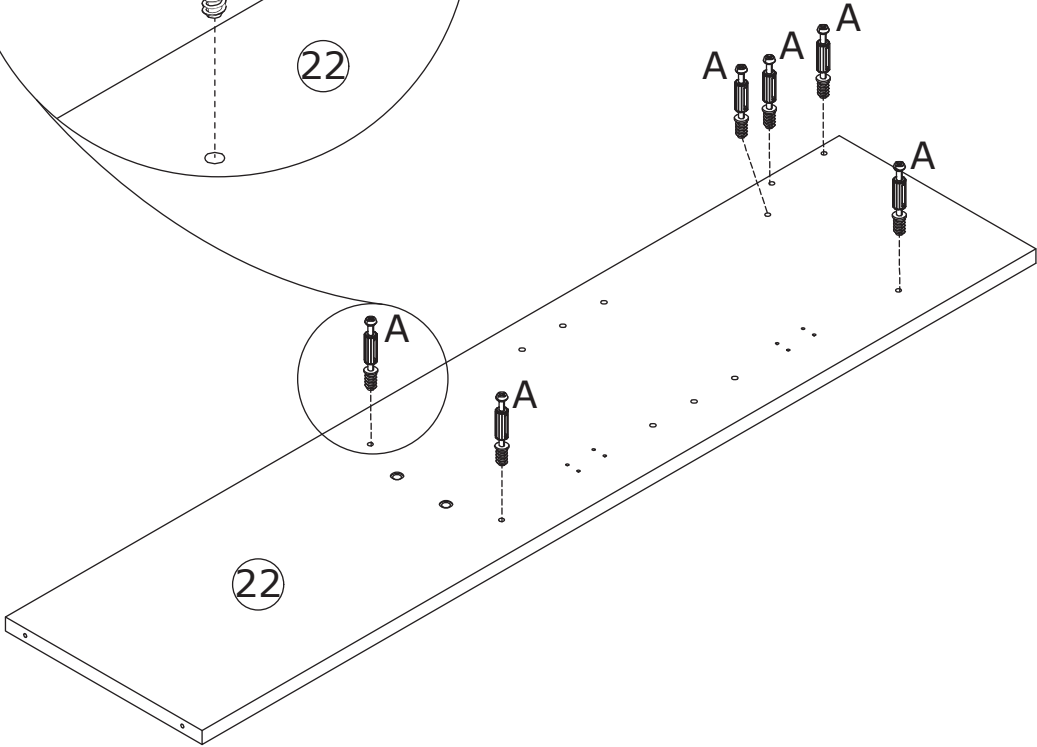
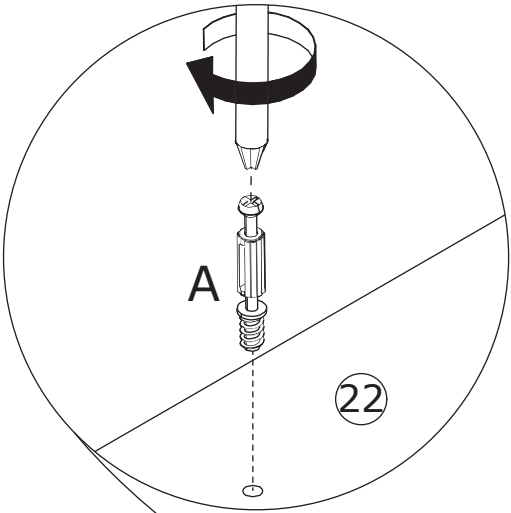
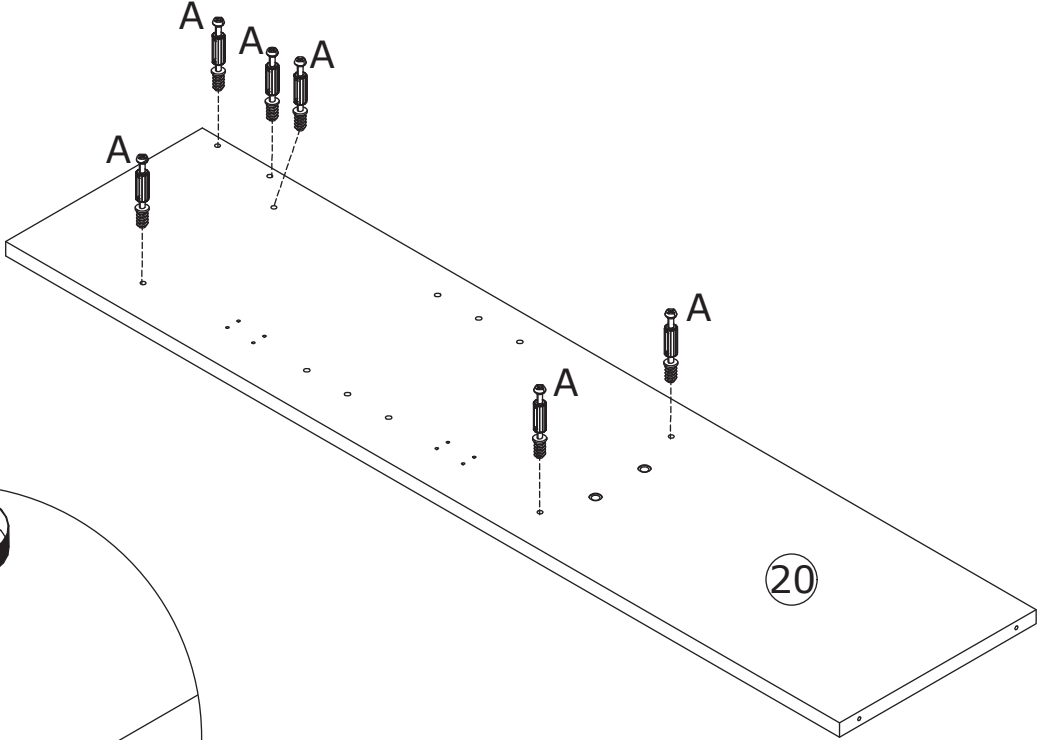
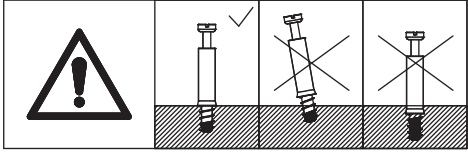
Fix panel 15 to panel 16 with screw(C) as shown.



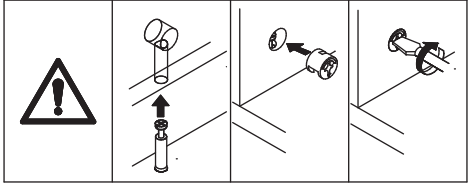
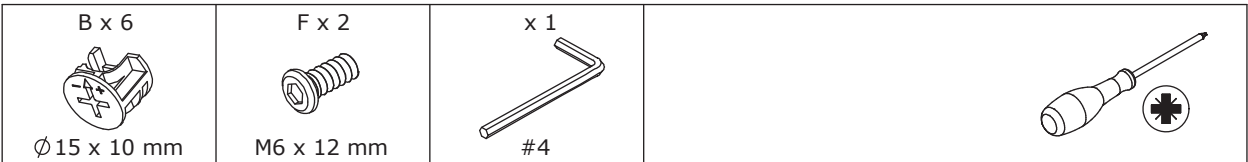
15



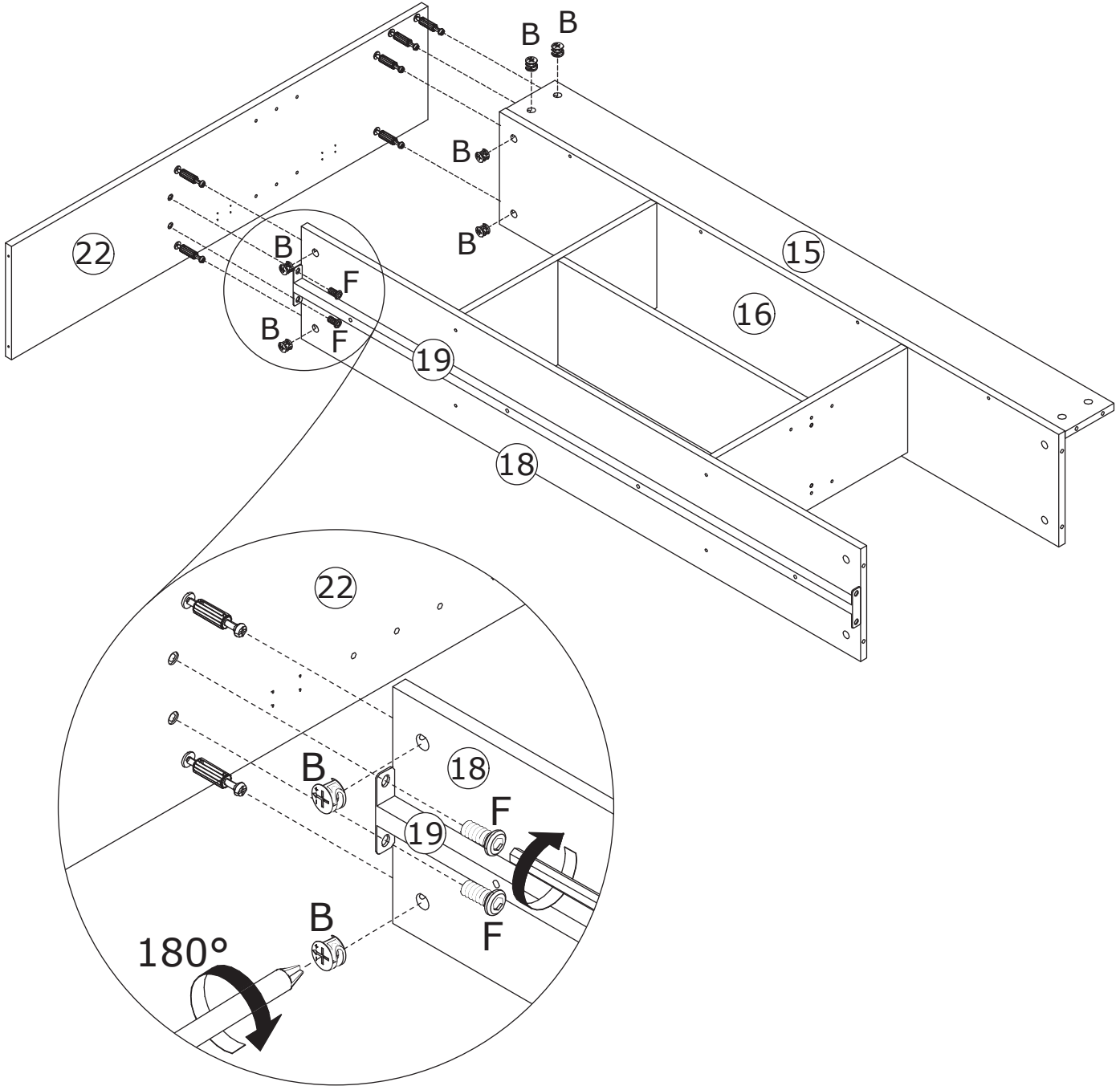
Screw eccentric rod(A) into panel 20 and 22 as shown.



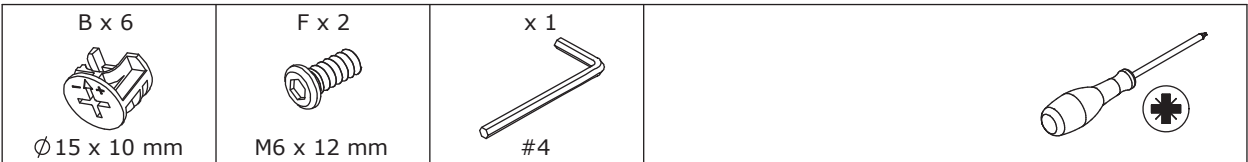
16



Attach panel 22 to panel 15, 16 and 18, add cam lock(B) into and turn clockwise to tighten as shown.
Fix tube 19 to panel 22 with screw(F) as shown.

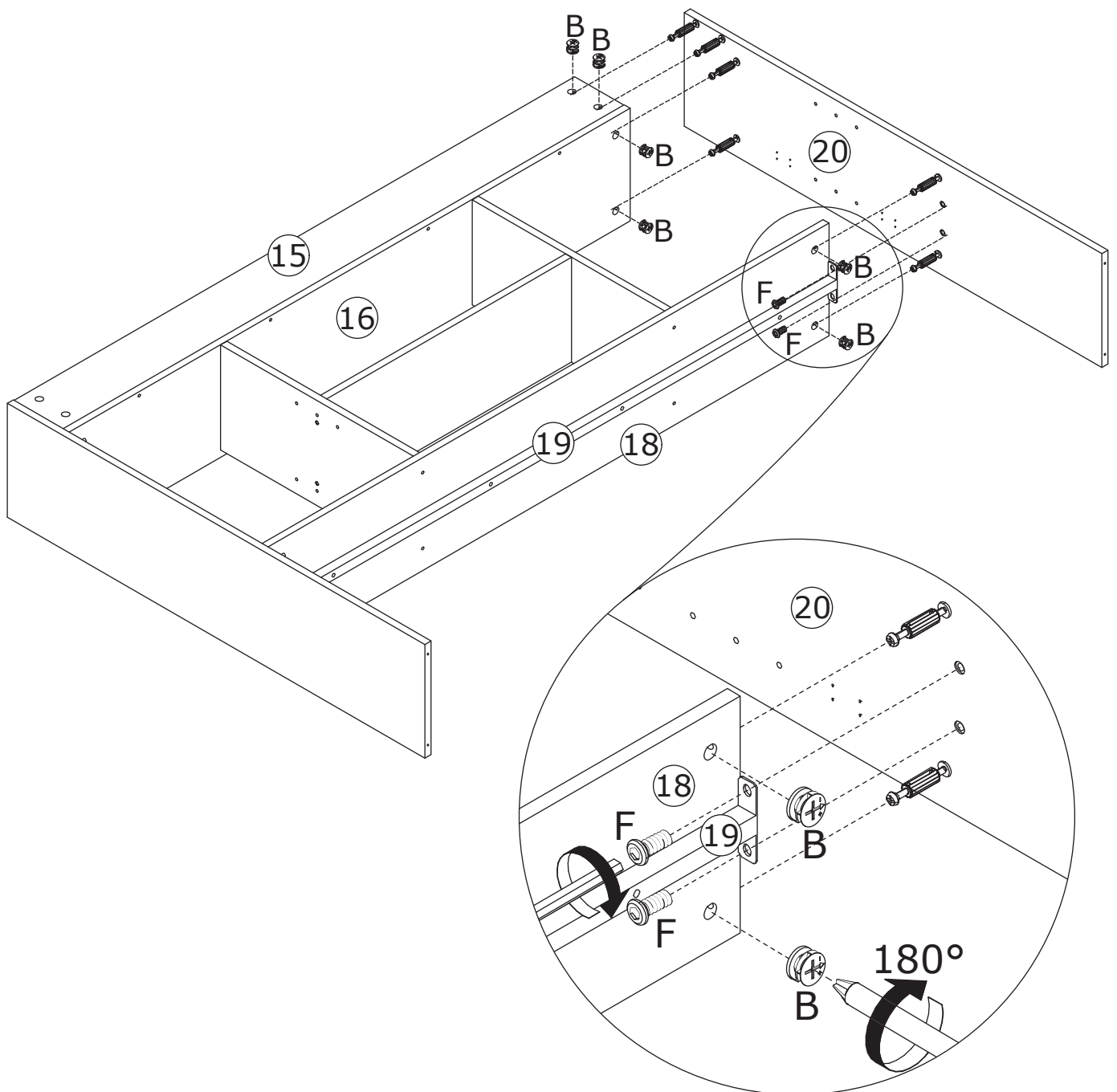
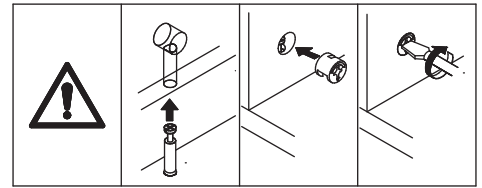


17

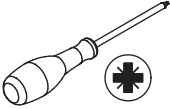
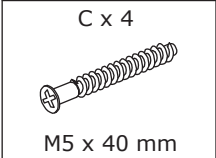


Attach panel 20 to panel 15, 16 and 18, add cam lock(B) into and turn clockwise to tighten as shown.

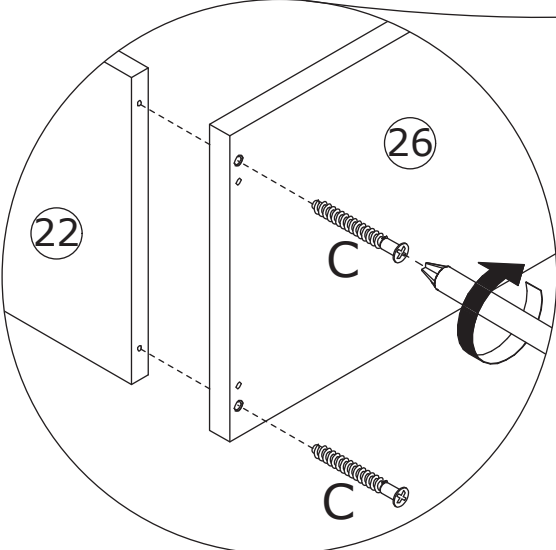
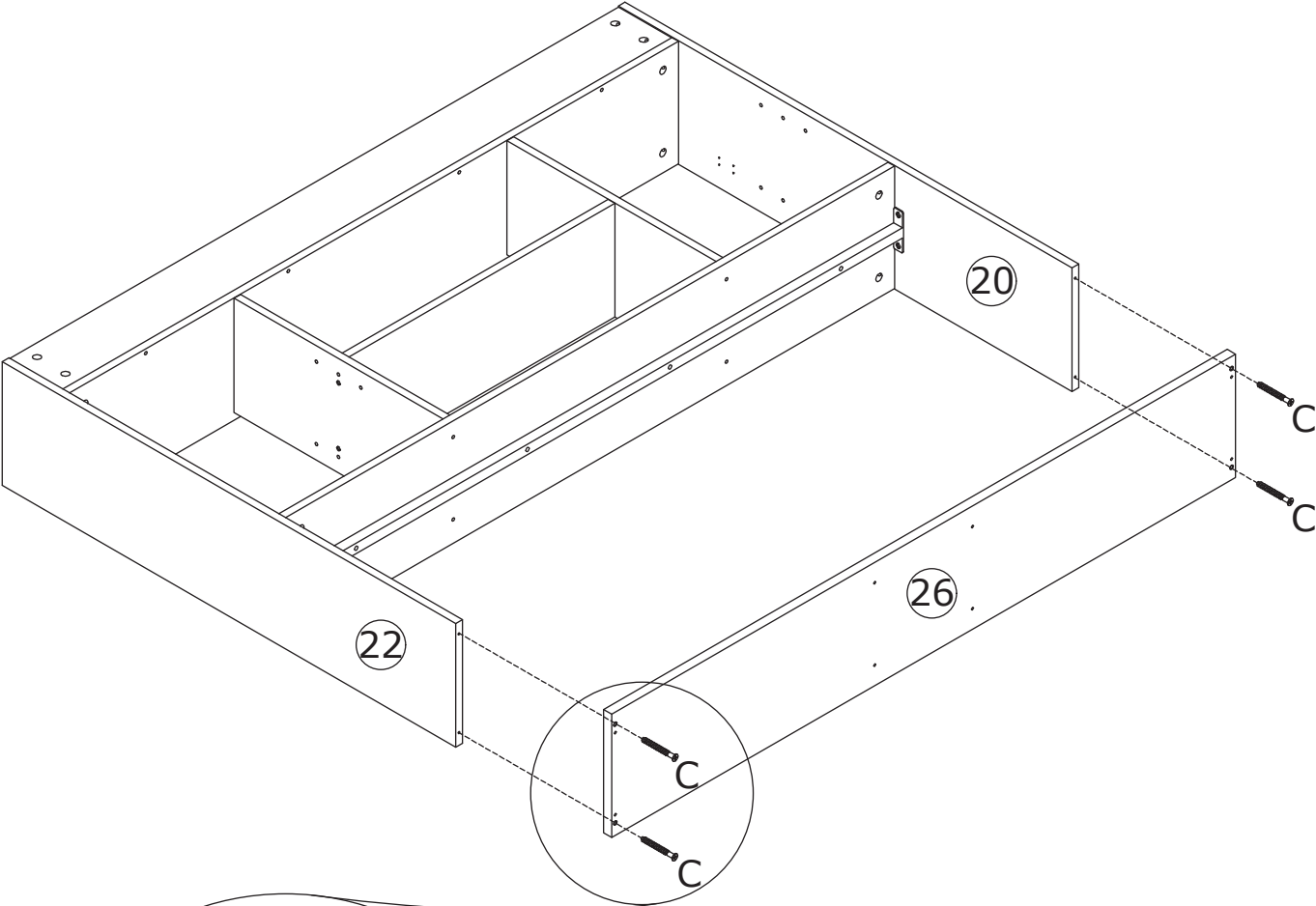
Fix tube 19 to panel 20 with screw(F) as shown.



18

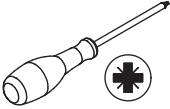


Fix panel 26 to panel 20 and 22 with screw(C) as shown.

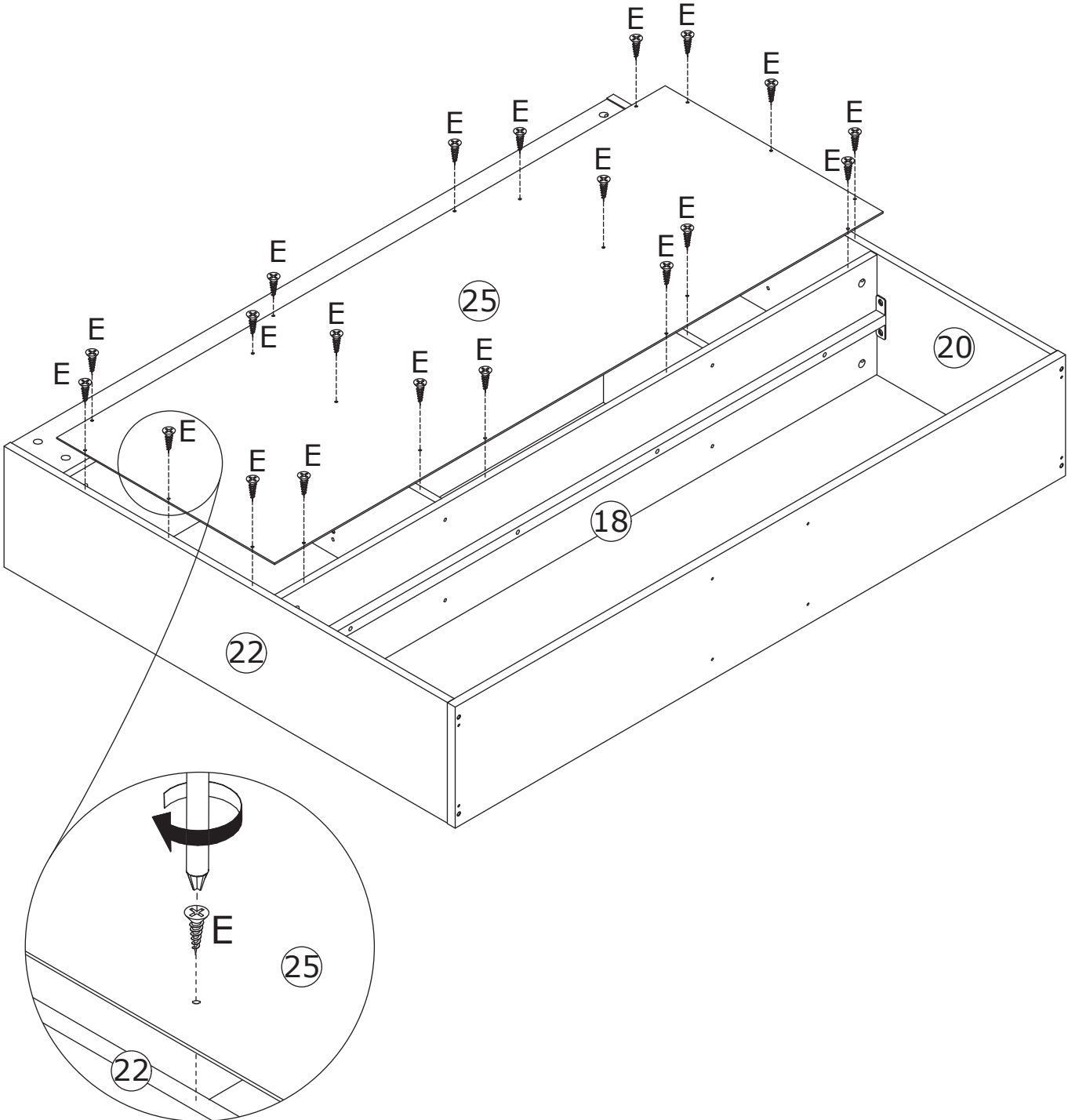


19

E x 20
M3.5 x 14 mm

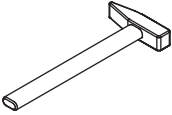


Fix panel 25 to back with screw(E) as shown.

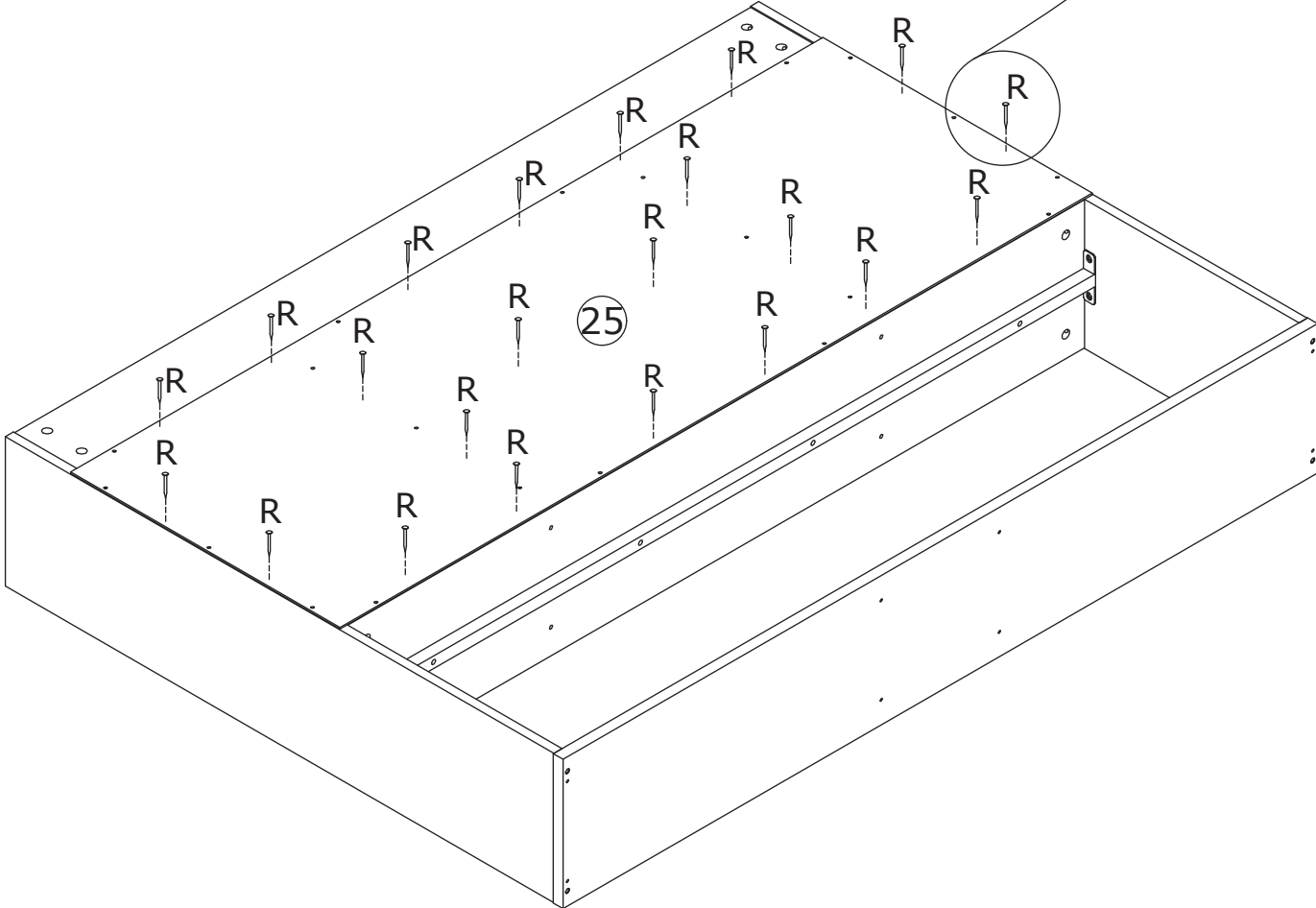
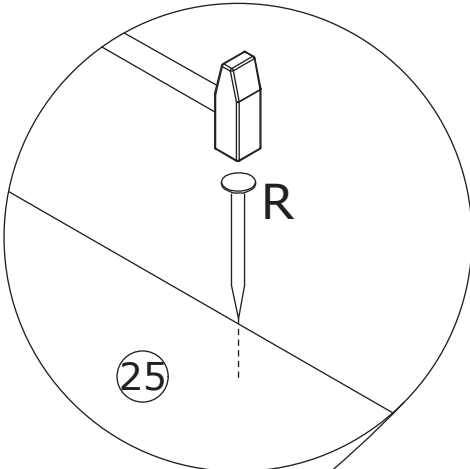


20


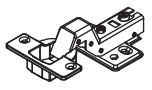
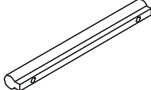
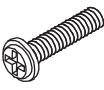
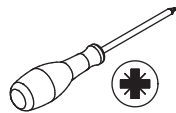
R x 22
Ø 1.5 x 15 mm



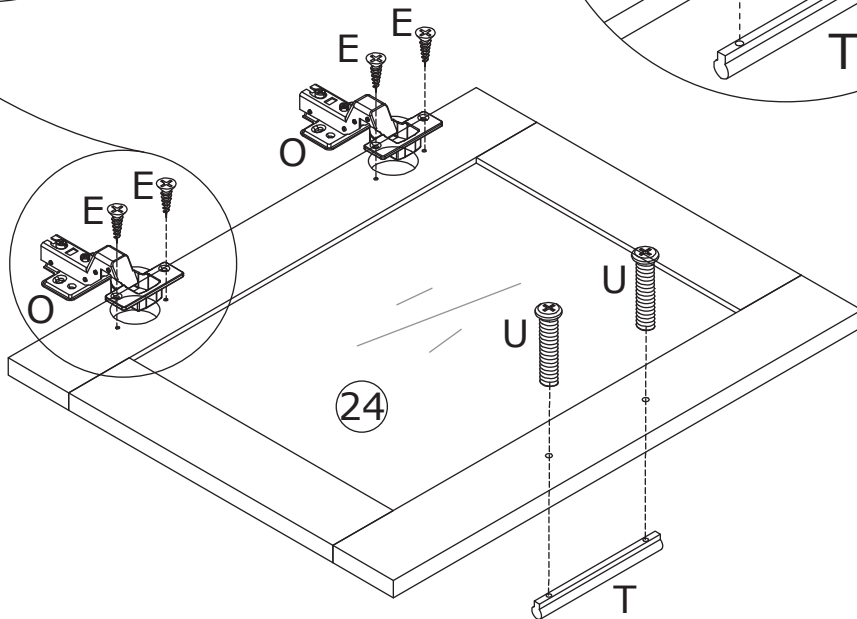
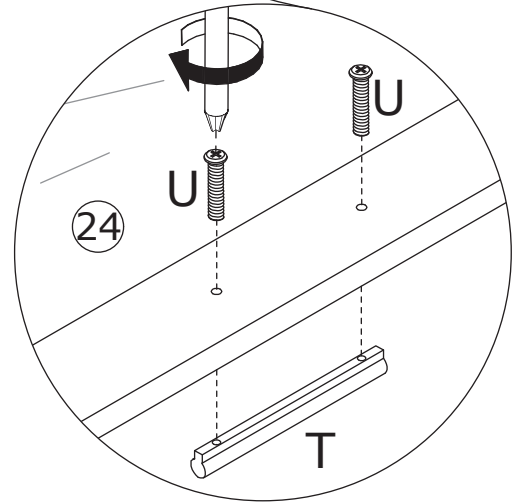
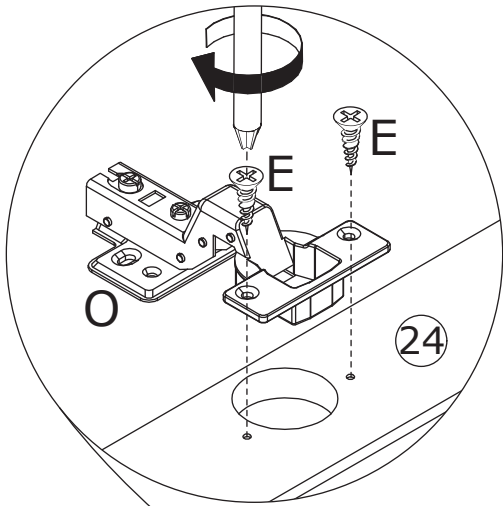
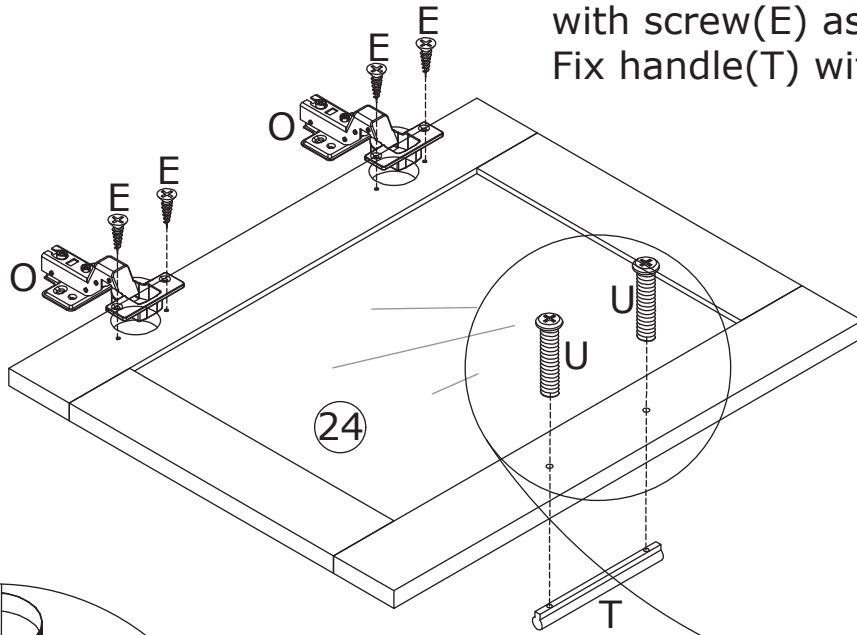
Fix panel 25 to back with nail(R) again.



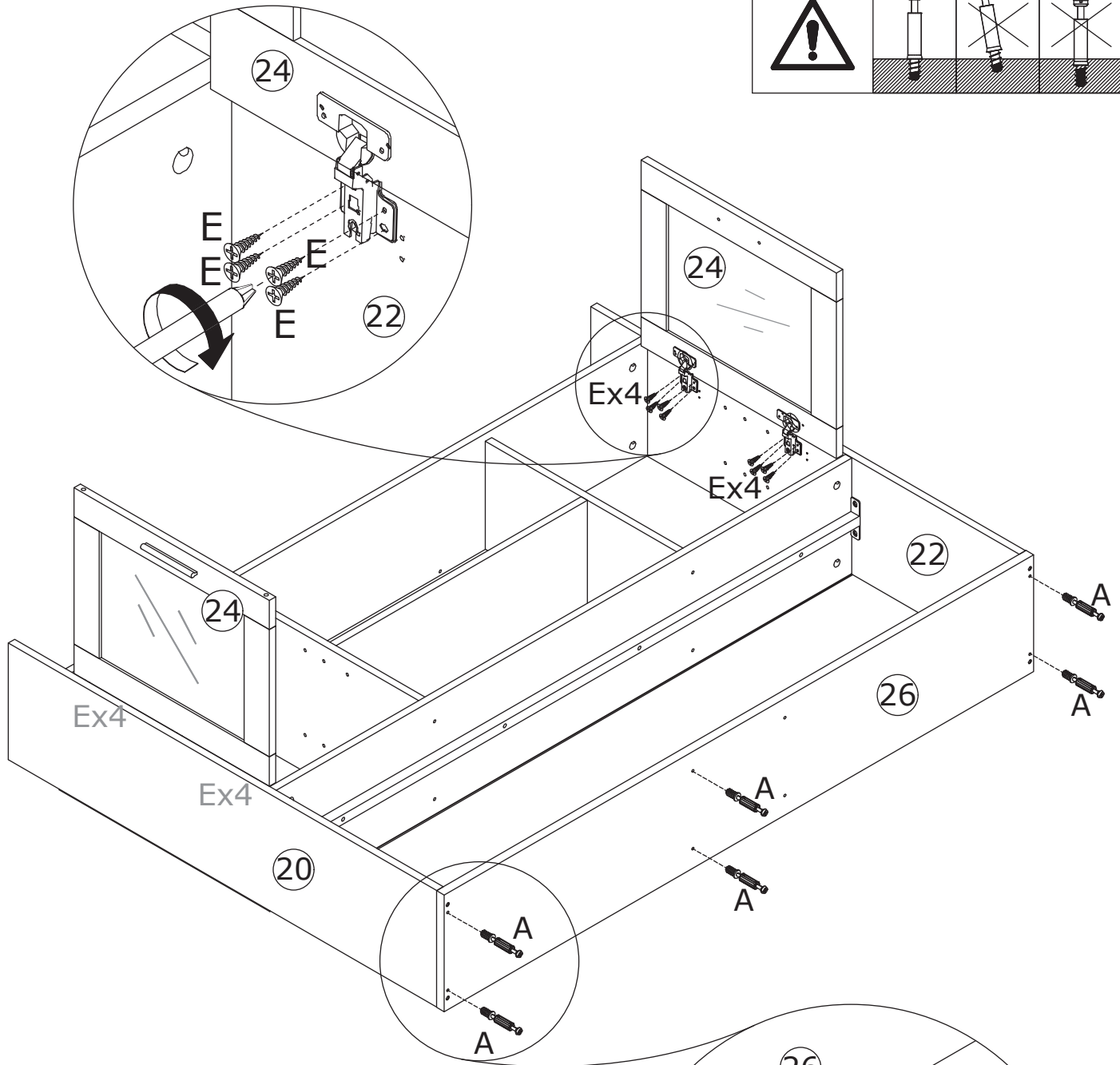
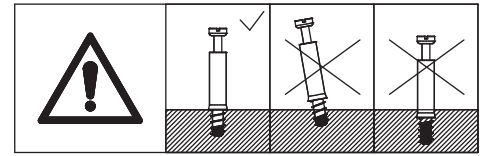
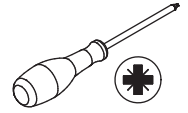
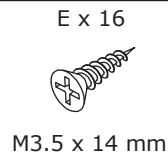
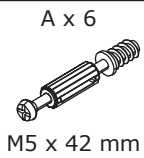
21

<p>E x 8 M3.5 x 14 mm</p> 	<p>O x 4 DW</p> 	<p>T x 2 220-96</p> 	<p>U x 4 M4 x 18 mm</p> 	
---	---	---	--	---

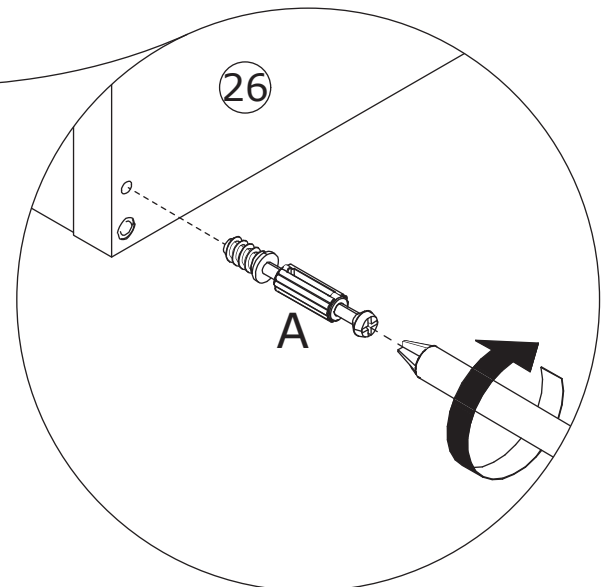
Fix hinge(O) to panel 24 with screw(E) as shown.
Fix handle(T) with screw(U).



22

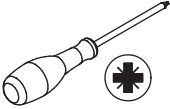


Assemble door 24 to panel 20 and 22 by fixing hinge with screw(E) as shown. Screw eccentric rod(A) into panel 26.

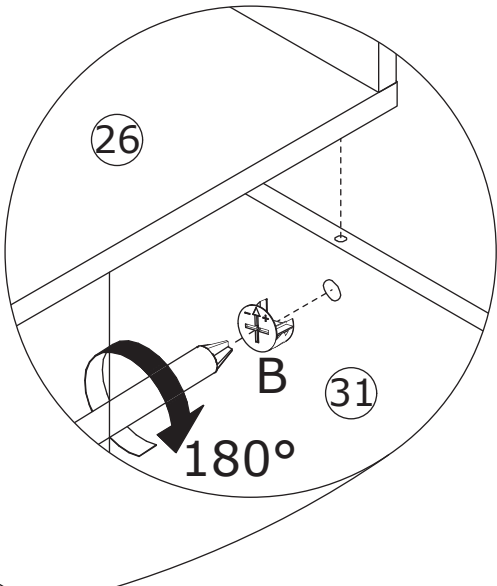
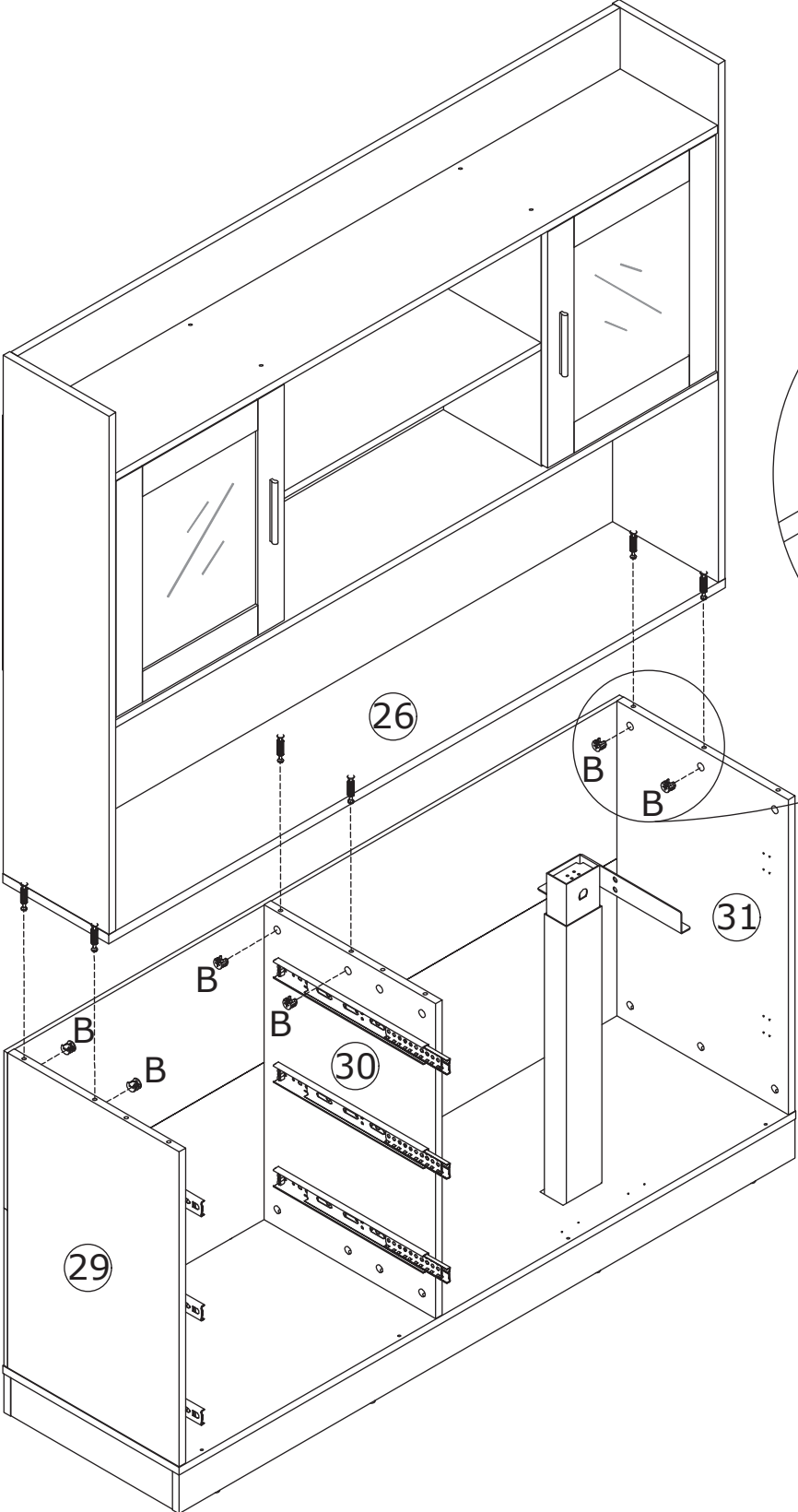
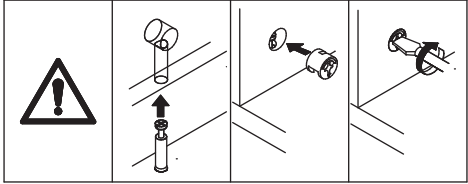


23

B x 6
Ø 15 x 10 mm

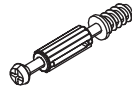


Connect the two components, add cam lock(B) into and turn clockwise to tighten as shown.



24

A x 4

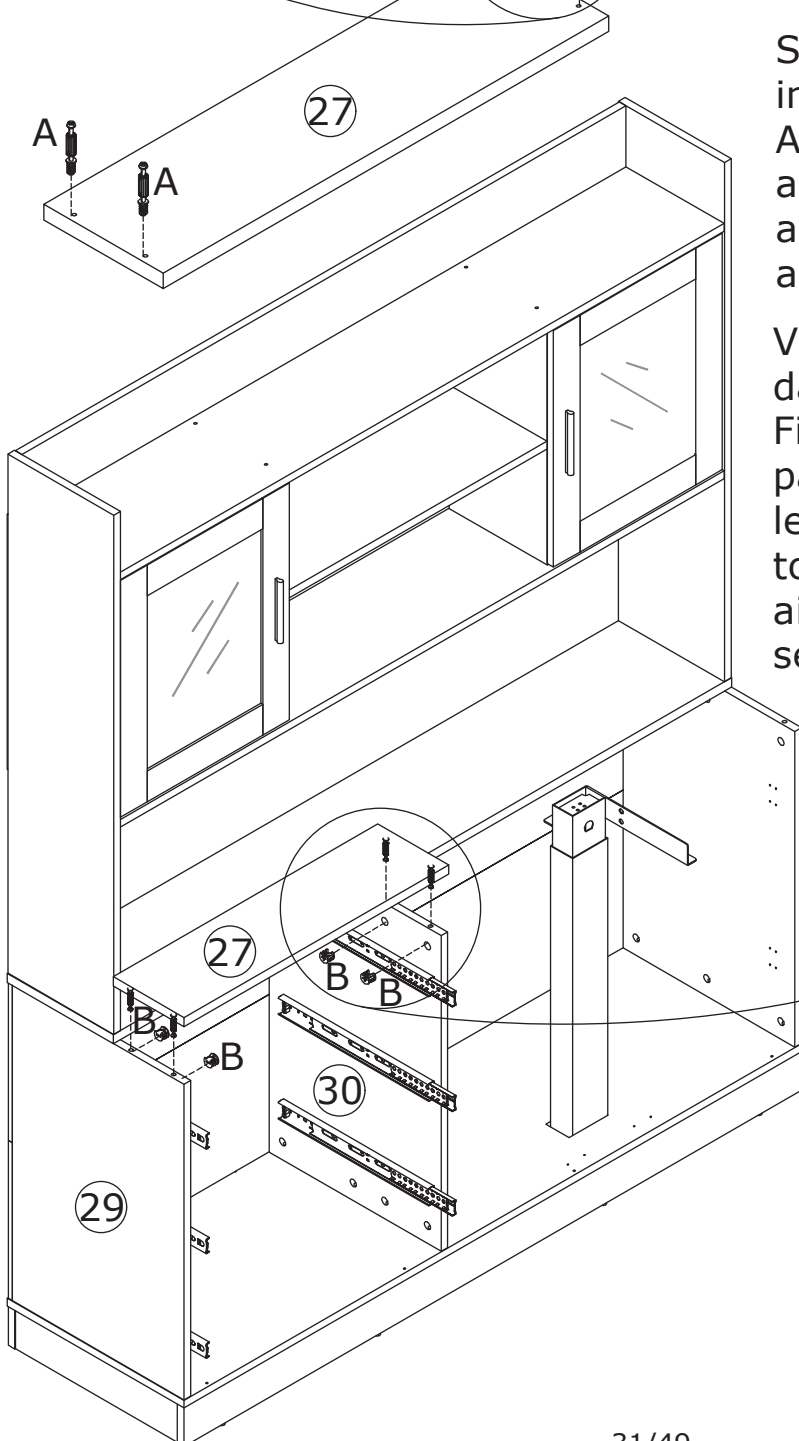
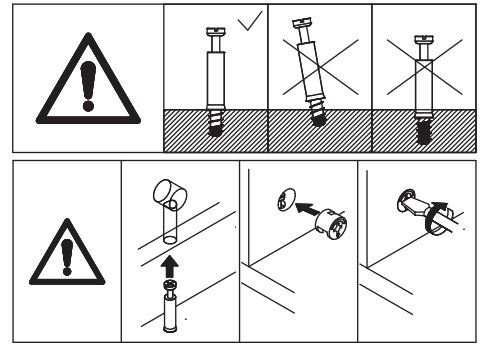
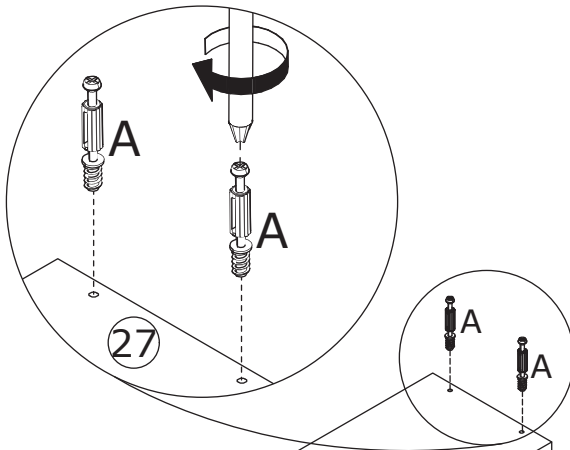
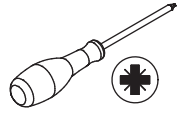


M5 x 42 mm

B x 4



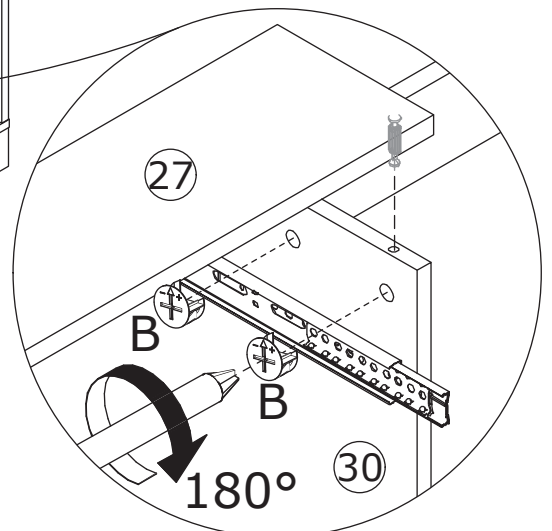
Ø15 x 10 mm



Screw eccentric rod(A)
into panel 27.

Attach panel 27 to panel 29
and 30, add cam lock(B) into
and turn clockwise to tighten
as shown.

Vissez la tige excentrique (A)
dans le panneau 27.
Fixez le panneau 27 aux
panneaux 29 et 30, ajoutez
le verrou à came (B) et
tournez dans le sens des
aiguilles d'une montre pour
serrer comme indiqué.

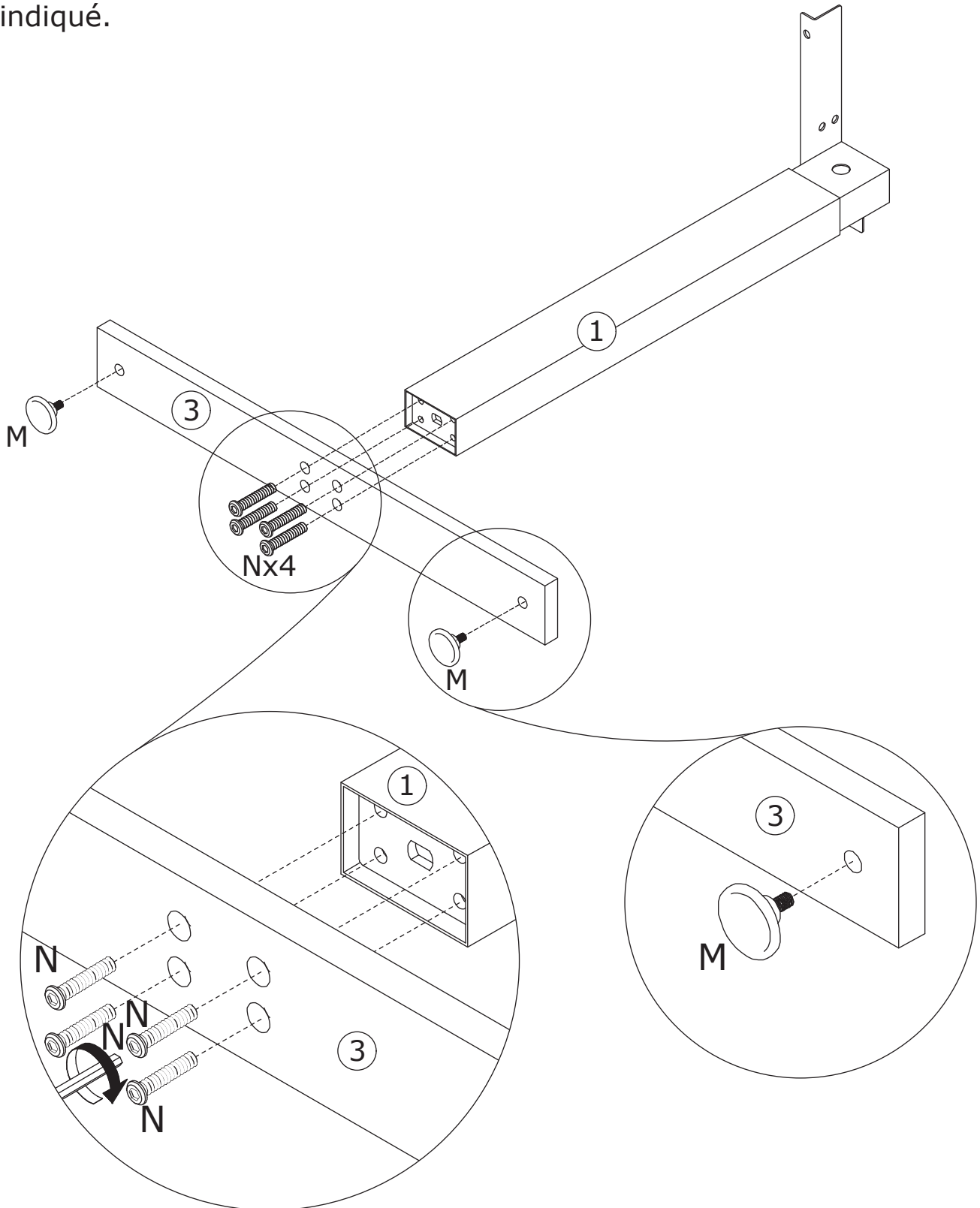


26

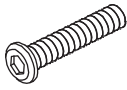

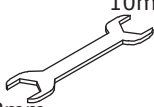
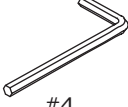
<p>M x 2</p> <p>M8 x \varnothing45 mm</p>	<p>N x 4</p> <p>M8 x 30 mm</p>	<p>x 1</p> <p>#5</p>	
--	--------------------------------	----------------------	--

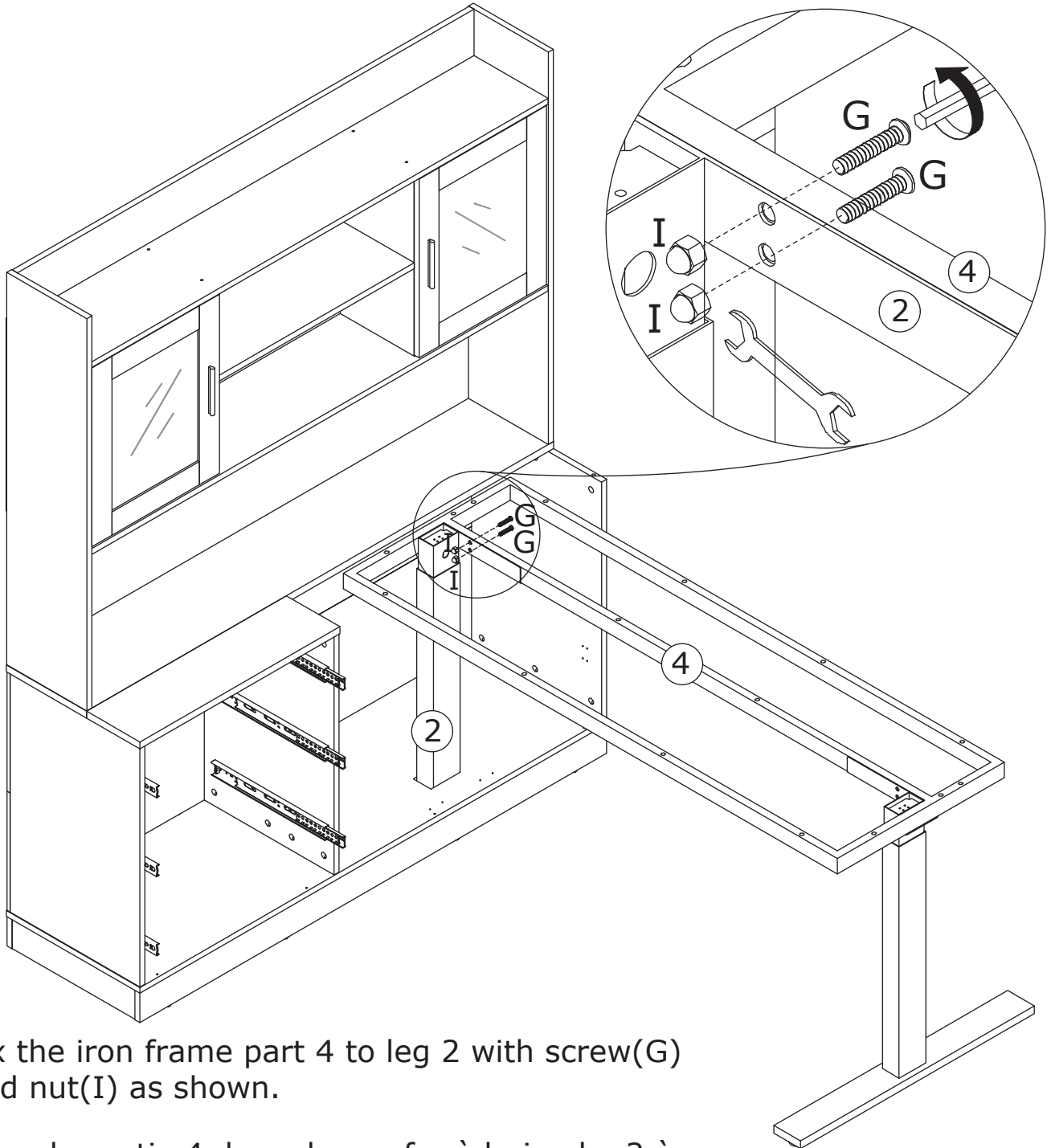
Rotate foot pad(M) into panel 3 at first.
Fix panel 3 to steel leg 1 with screw(N) as shown.

Tournez d'abord le patin (M) dans le panneau 3.
Fixez le panneau 3 au pied en acier 1 à l'aide de la vis (N) comme indiqué.



27

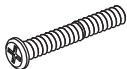



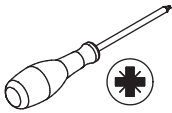
<p>G x 2 M6 x 30 mm</p> 	<p>I x 2 M6</p> 	<p>x 1 10mm 12mm</p> 	<p>x 1 #4</p> 	
---	---	--	--	--



Fix the iron frame part 4 to leg 2 with screw(G) and nut(I) as shown.

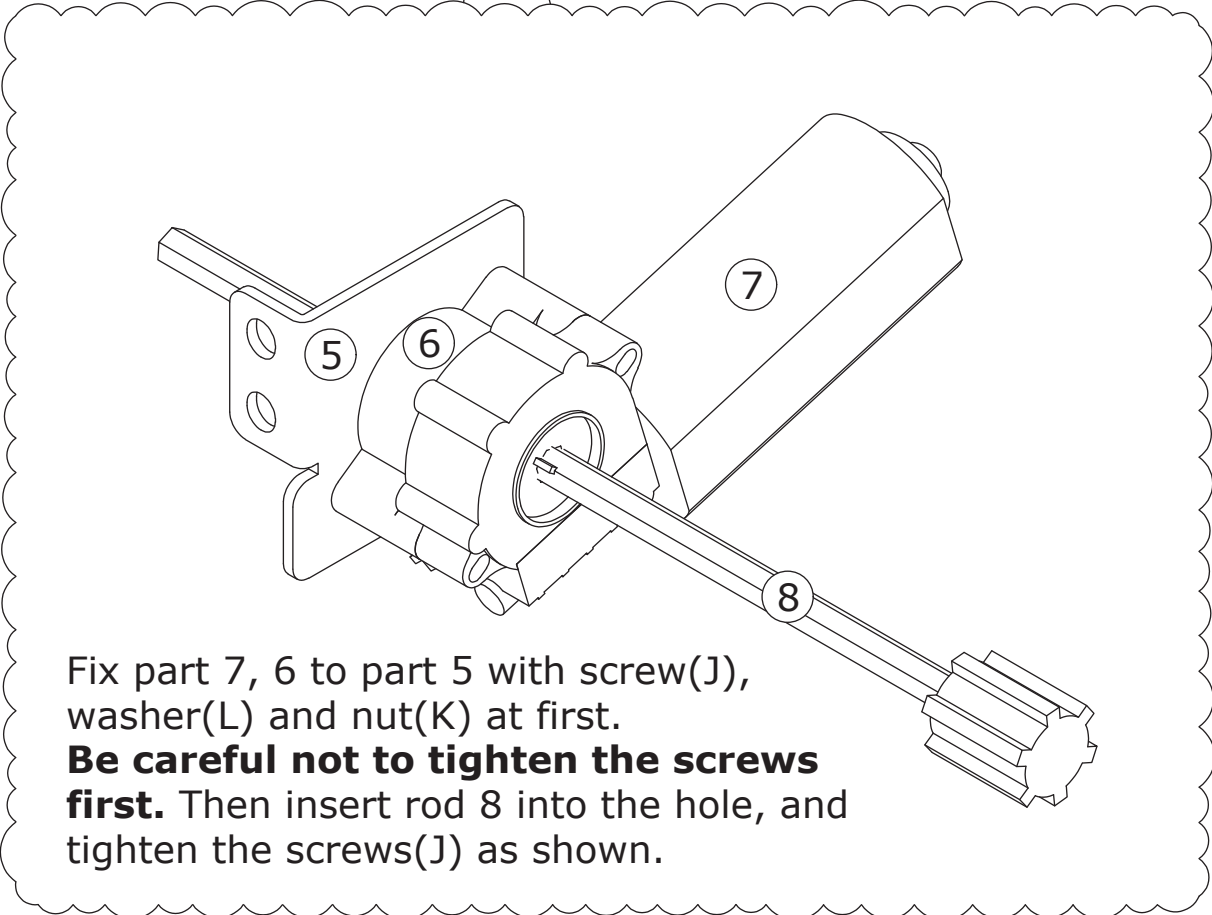
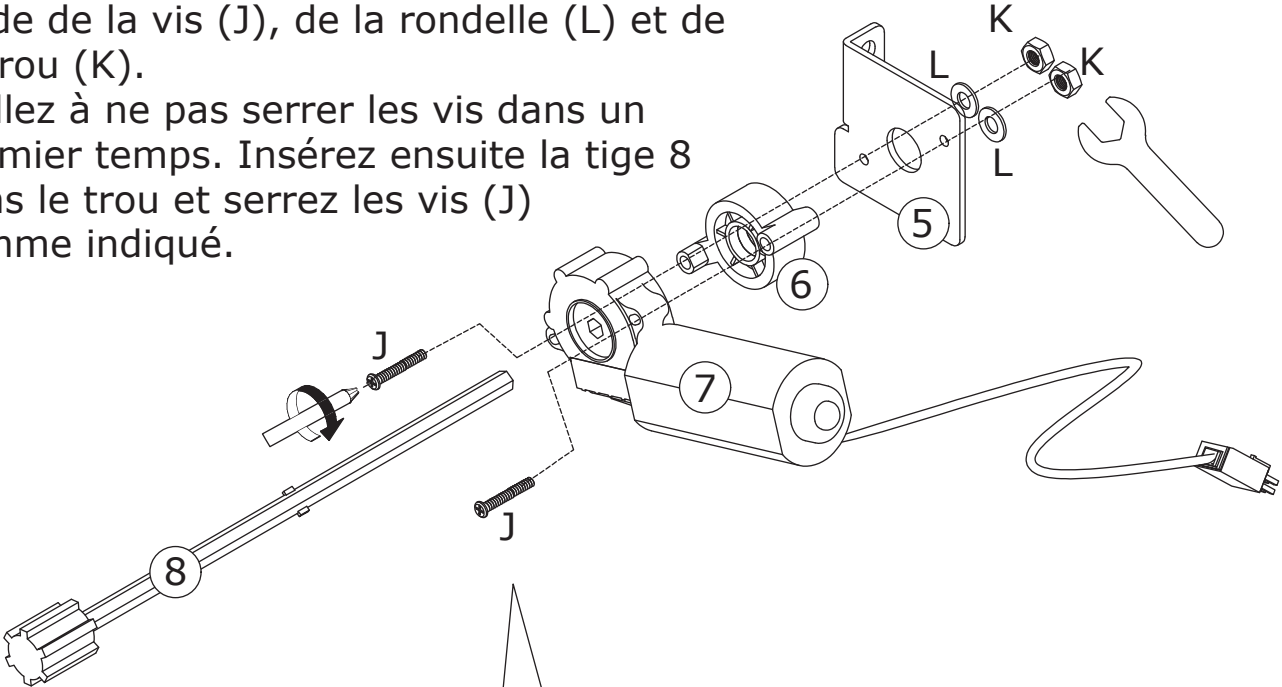
Fixez la partie 4 du cadre en fer à la jambe 2 à l'aide de la vis (G) et de l'écrou (I) comme indiqué.

28

J x 2  M4 x 45 mm	K x 2  M4	L x 2  Ø14 x Ø5 x 1 mm	x 1 	
--	--	---	---	---

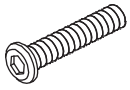

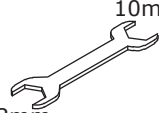
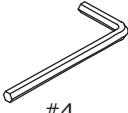
Fixez d'abord la pièce 7, 6 à la pièce 5 à l'aide de la vis (J), de la rondelle (L) et de l'écrou (K).

Veillez à ne pas serrer les vis dans un premier temps. Insérez ensuite la tige 8 dans le trou et serrez les vis (J) comme indiqué.

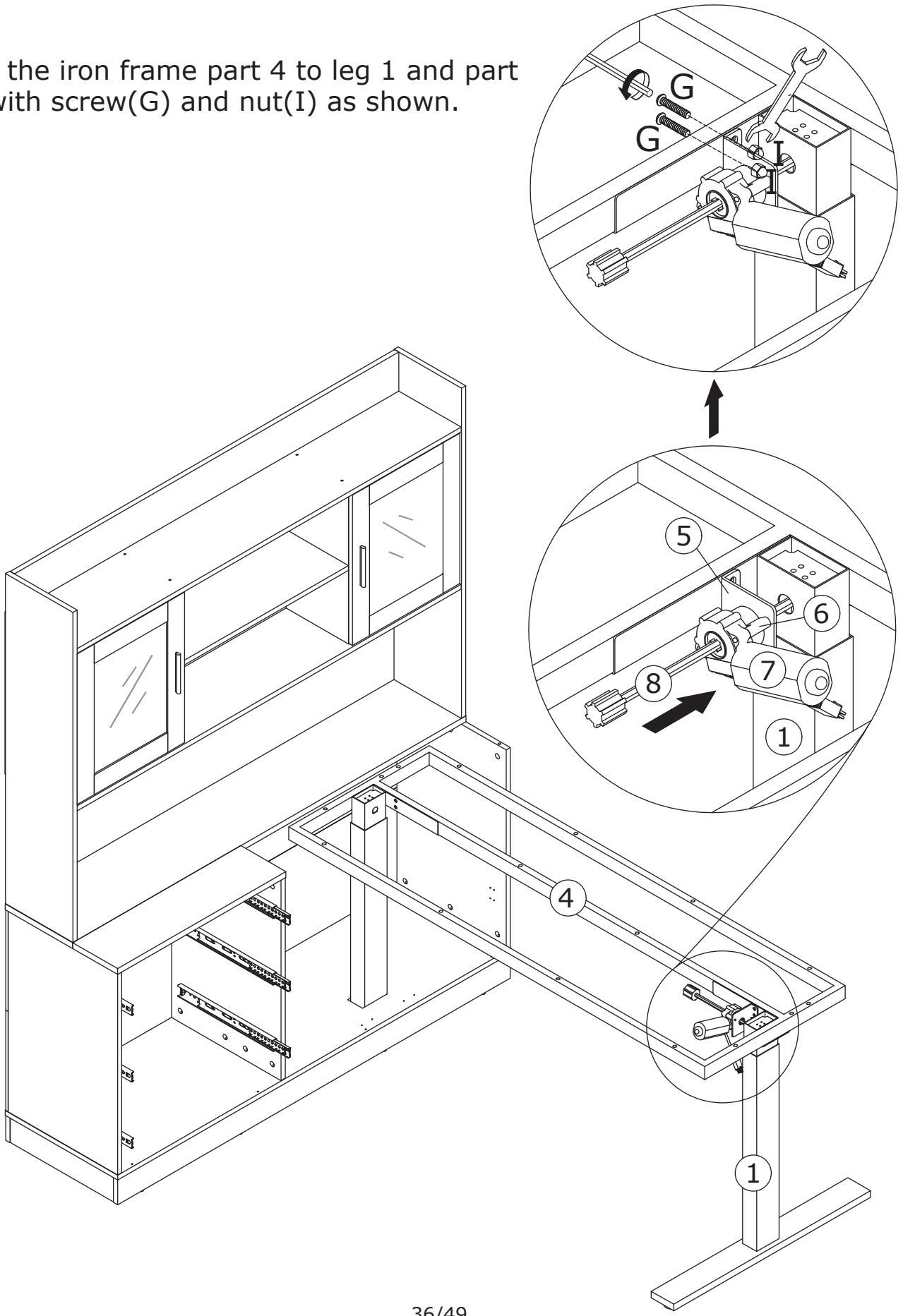


Fix part 7, 6 to part 5 with screw(J), washer(L) and nut(K) at first.
Be careful not to tighten the screws first. Then insert rod 8 into the hole, and tighten the screws(J) as shown.

29

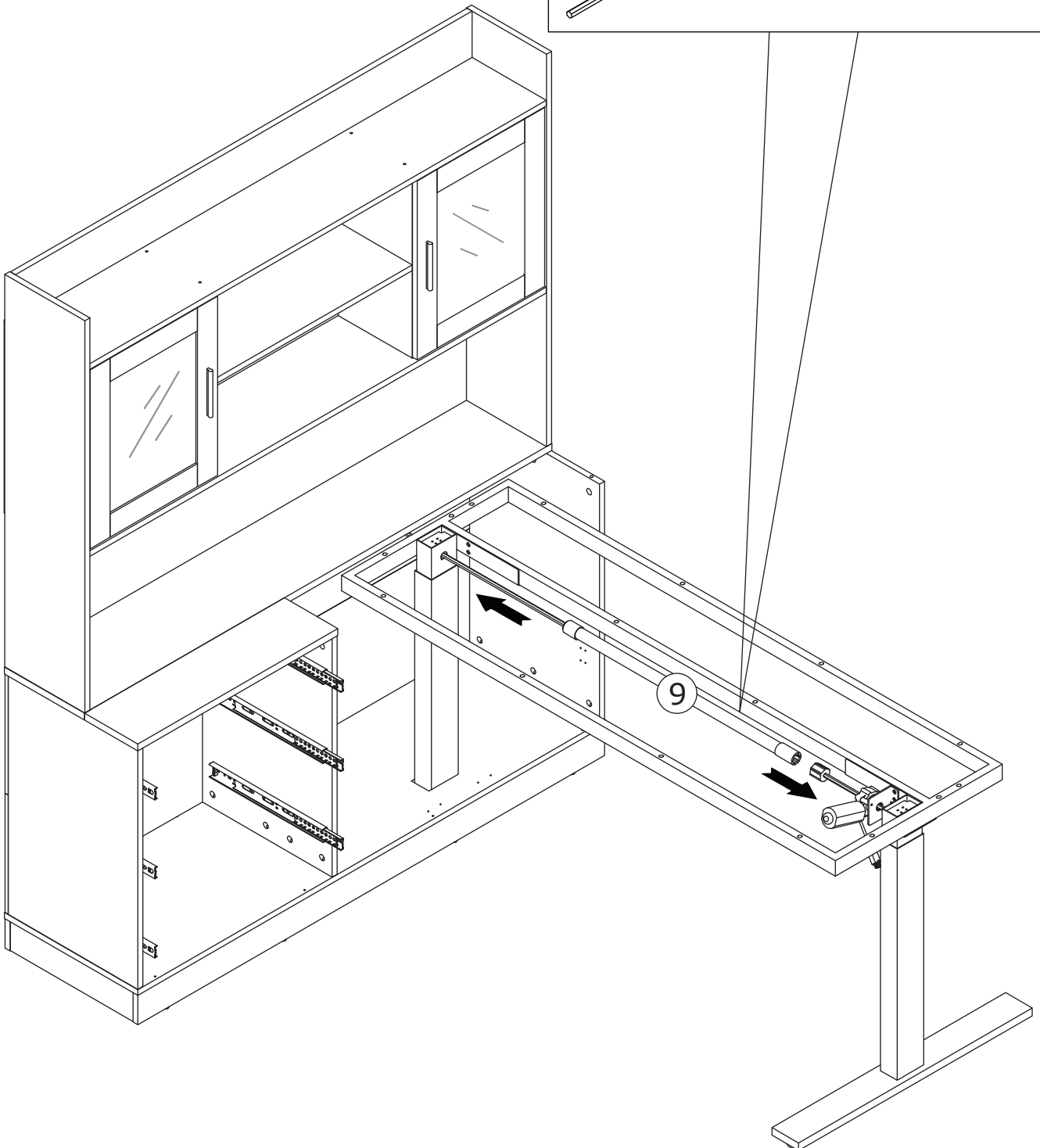
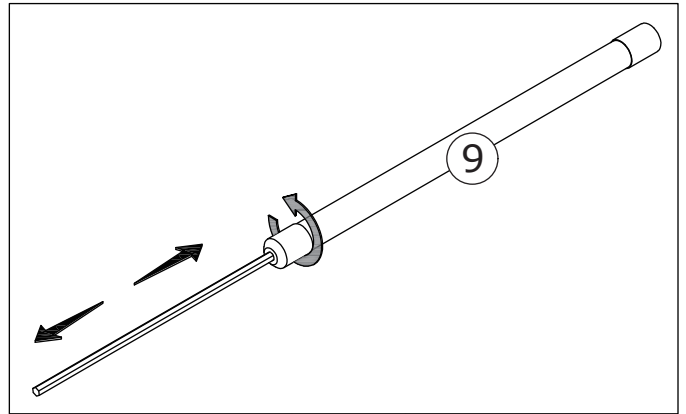
<p>G x 2 M6 x 30 mm</p> 	<p>I x 2 M6</p> 	<p>x 1 10mm 12mm</p> 	<p>x 1 #4</p> 	
---	---	--	--	--

Fix the iron frame part 4 to leg 1 and part 5 with screw(G) and nut(I) as shown.



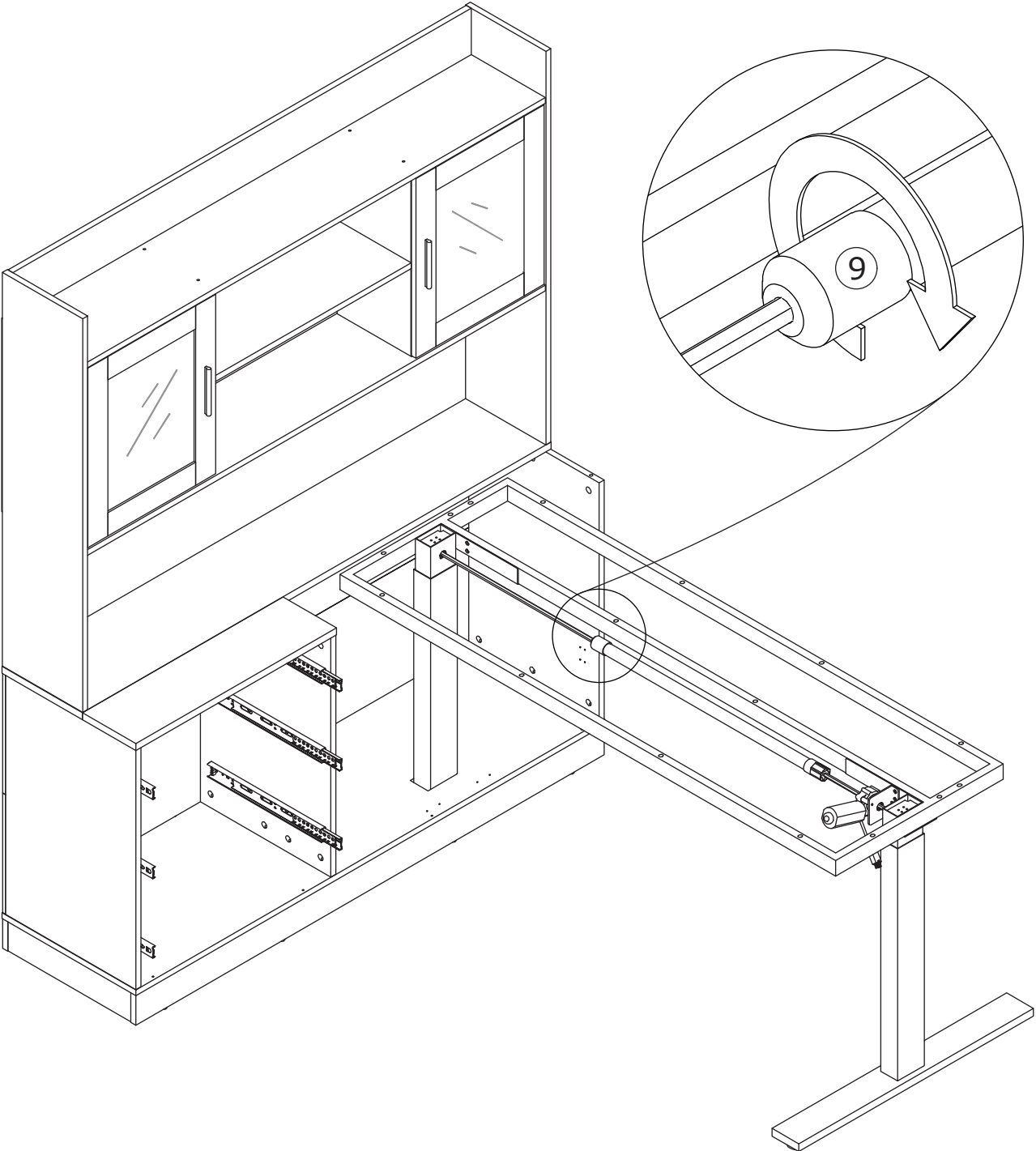
30

Insert part 9 into leg 2 and connect to rod 8 then.

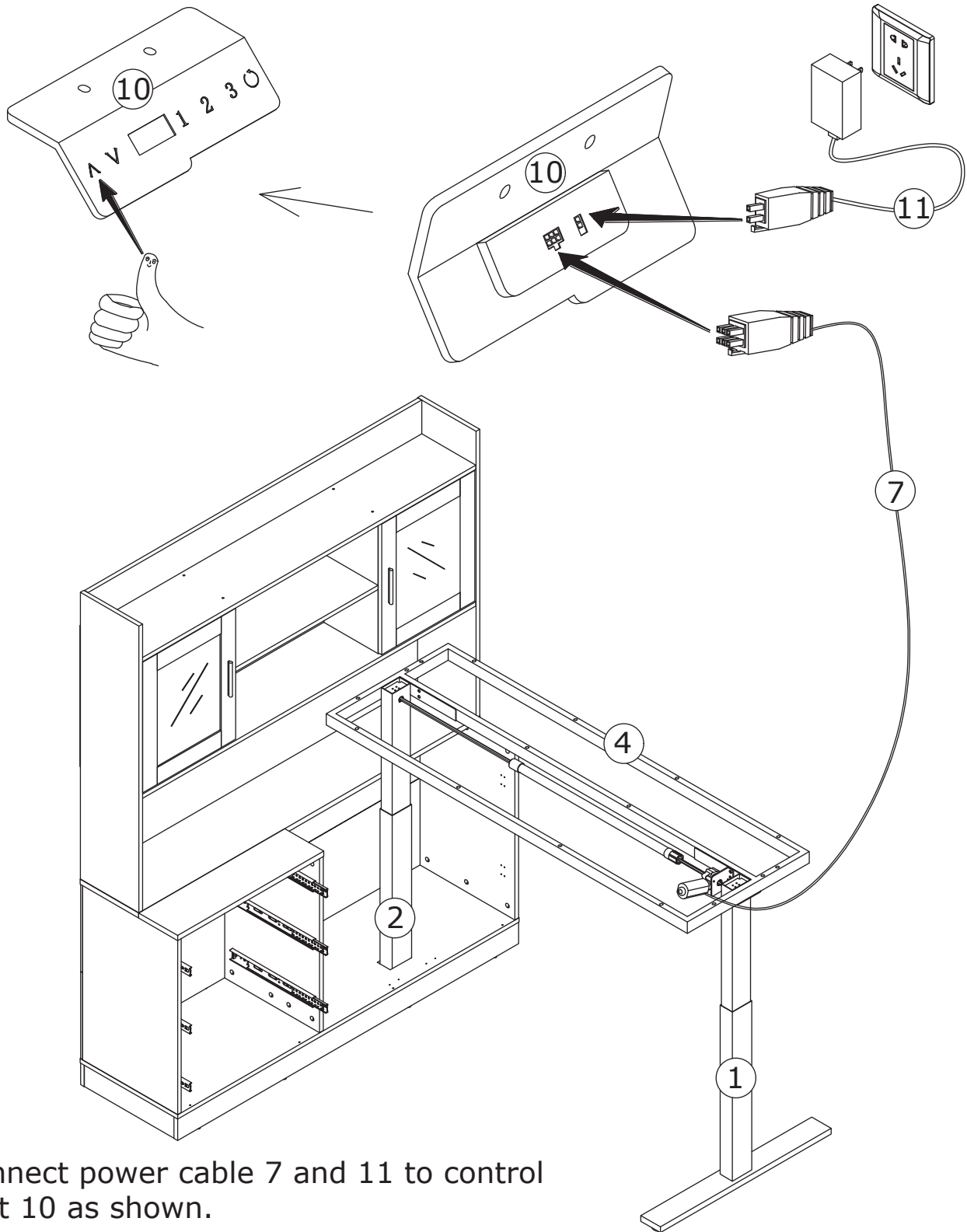


31

Turn the rod clockwise to tighten it.

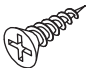

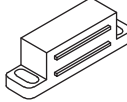

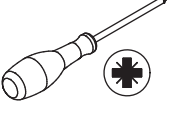


32

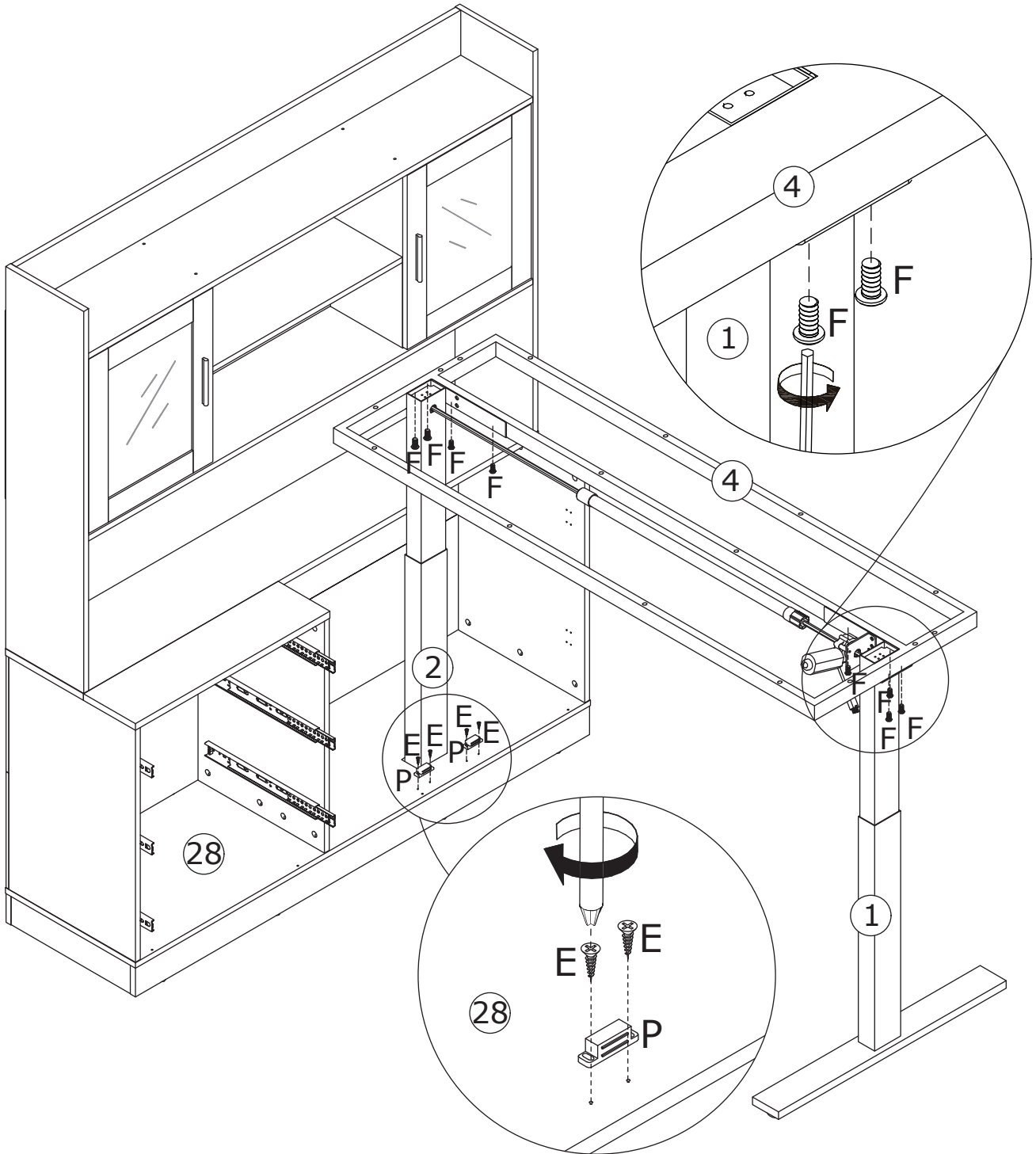


Connect power cable 7 and 11 to control part 10 as shown.


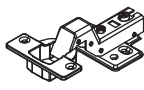
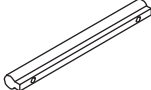


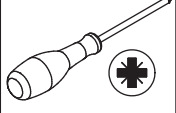
33

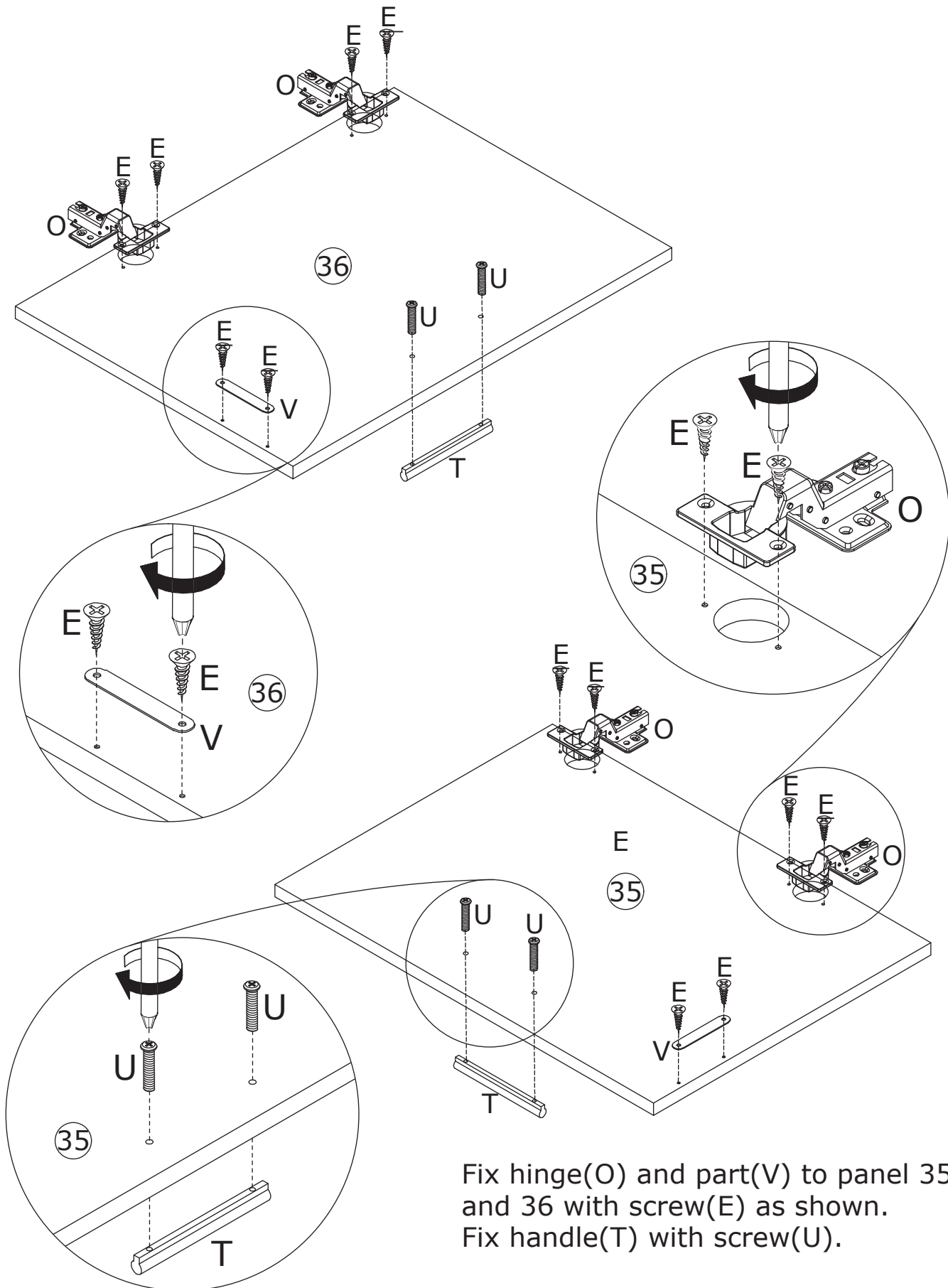
E x 4  M3.5 x 14 mm	F x 8  M6 x 12 mm	P x 2 	x 1  #4	
--	--	--	---	---

After adjusting the height of the desk, connect the frame part 4 with the legs again with screw(F) as shown.
Fix magnet(P) to panel 28 with screw(E).



34

<p>E x 12 M3.5 x 14 mm</p> 	<p>O x 4 DW</p> 	<p>T x 2 220-96</p> 	<p>U x 4 M4 x 18 mm</p> 	<p>V x 2 Ø4 x 63</p> 	
--	---	---	--	--	---



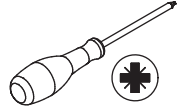
Fix hinge(O) and part(V) to panel 35 and 36 with screw(E) as shown.
Fix handle(T) with screw(U).

35

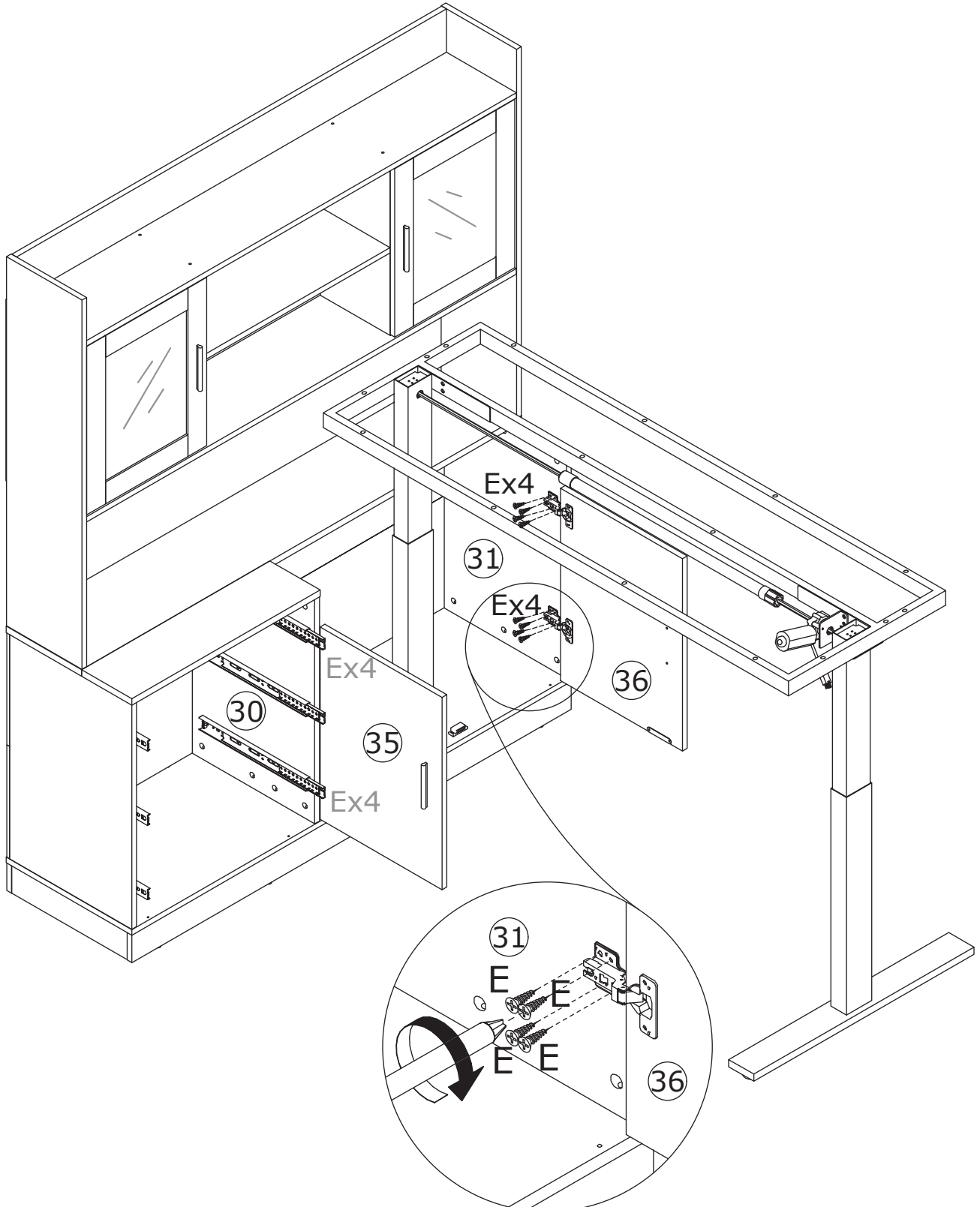
E x 16



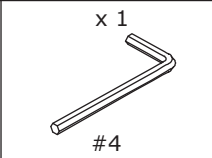
M3.5 x 14 mm



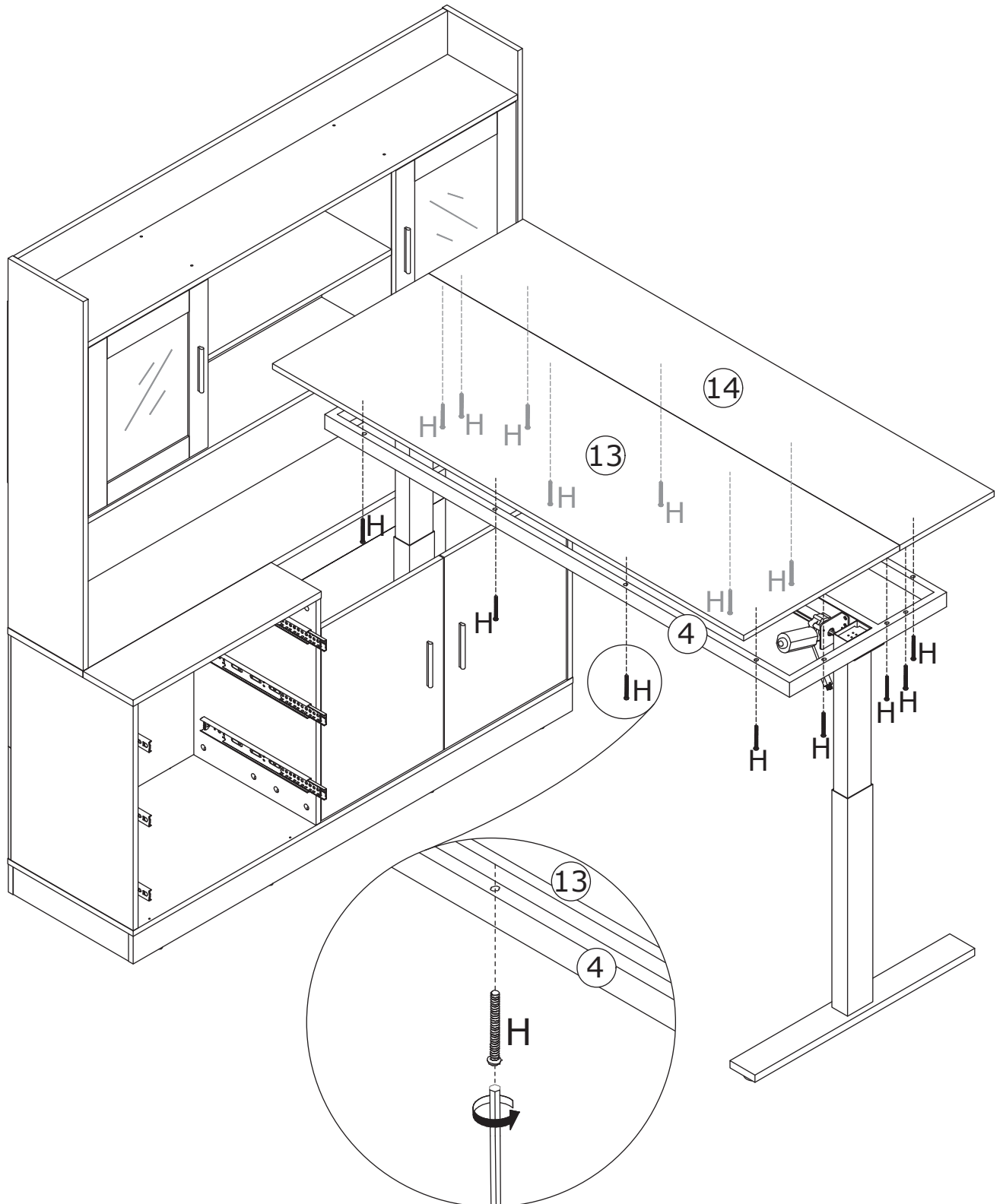
Assemble door 35 and 36 to panel 30 and 31 by fixing hinge with screw(E) as shown.



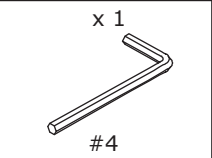
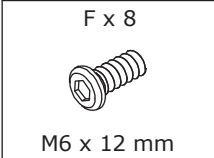
36



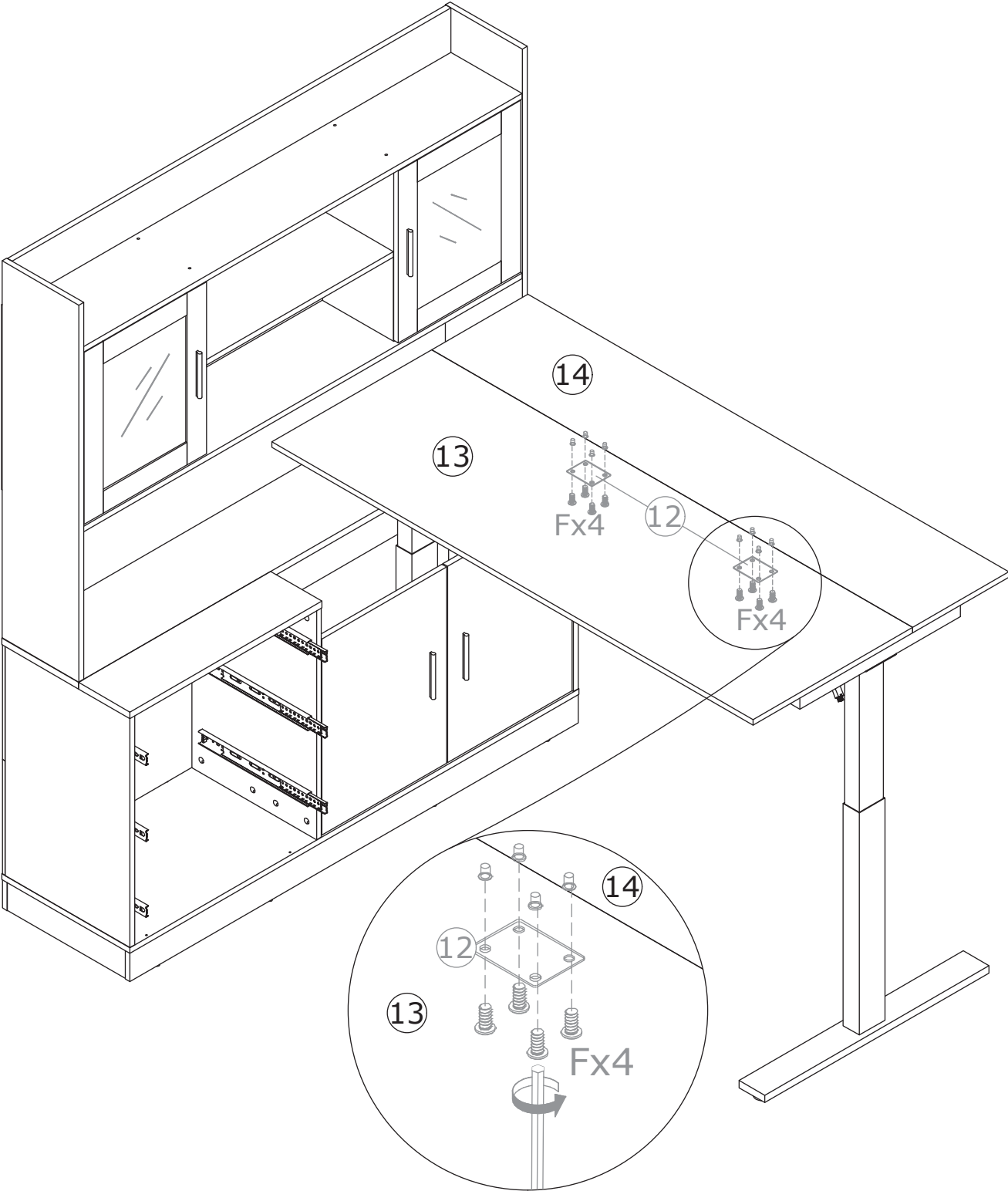
Fix panel 13 and 14 to part 4 with screw(H) as shown.

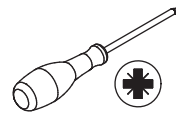


37



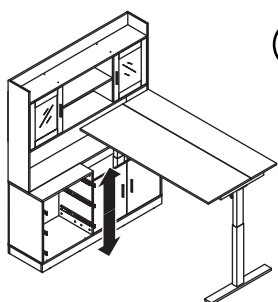
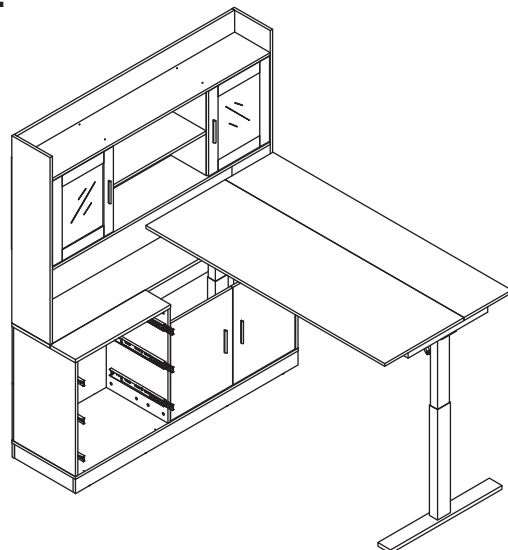
Fix part 12 to panel 13 and 14 with screw(F).



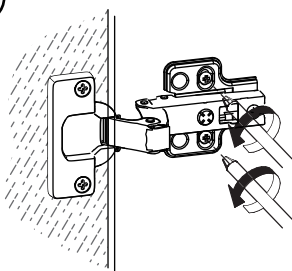


If doors are still not aligned if the hinges are properly installed, please watch the video.

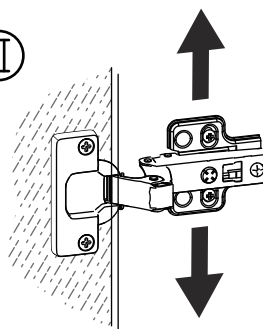
<https://youtu.be/n0Lb36SoODM>



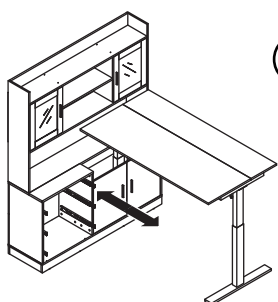
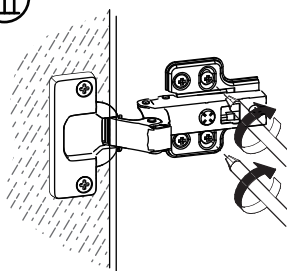
I



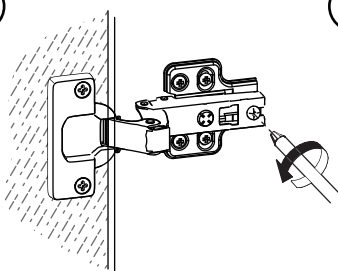
II



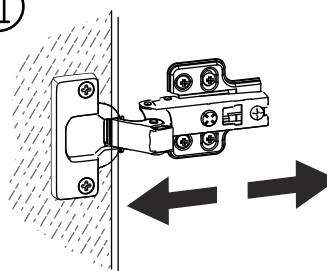
III



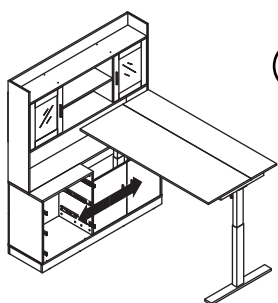
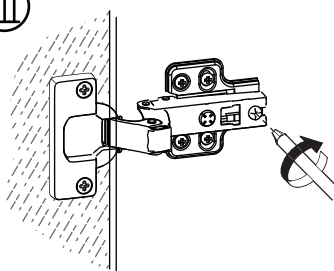
I



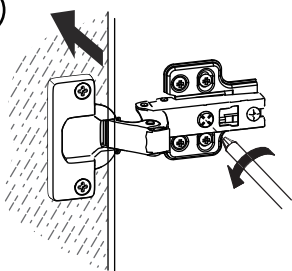
II



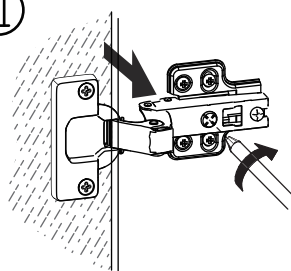
III



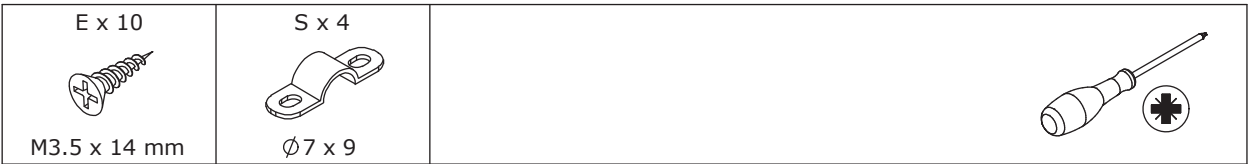
I



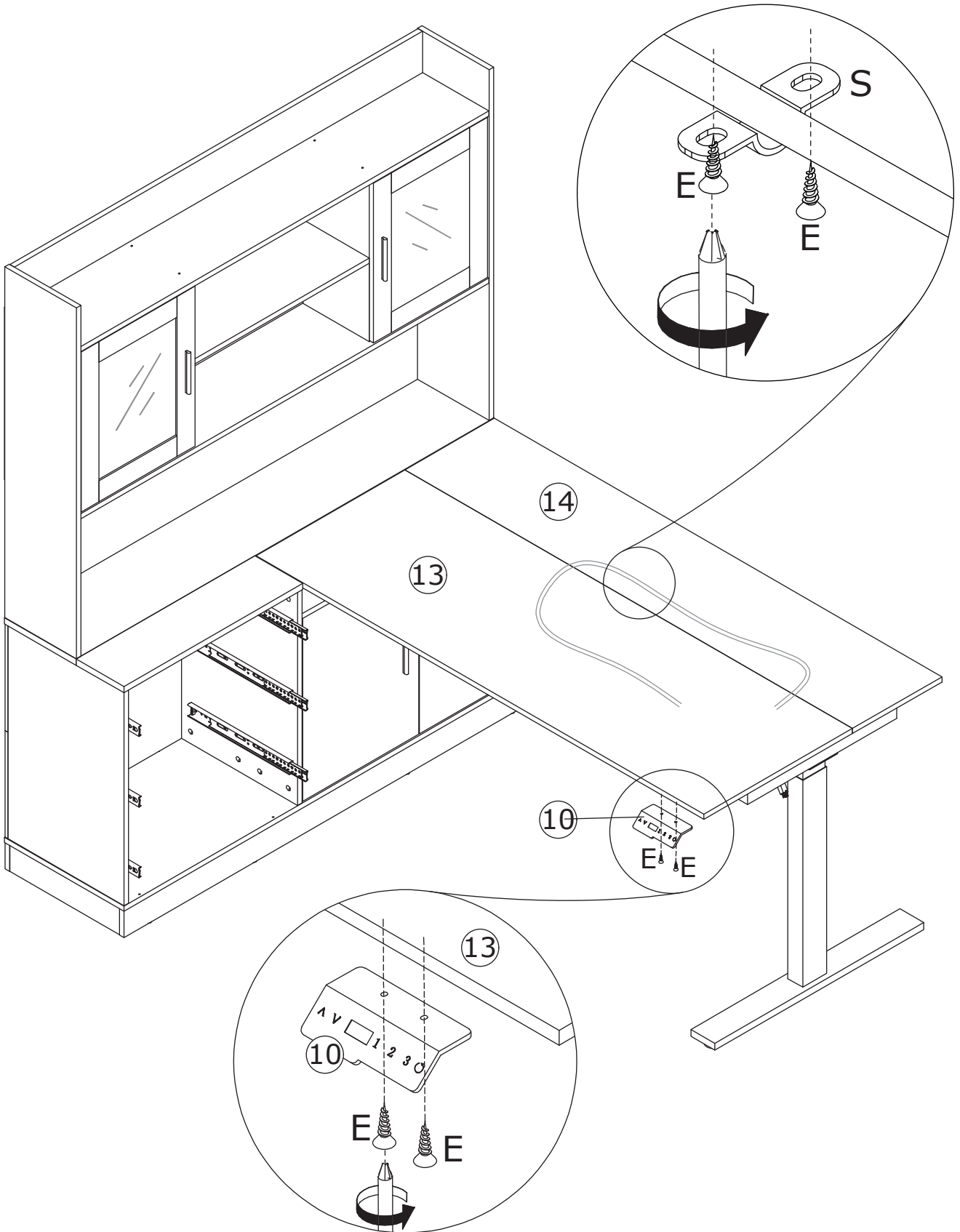
II



39

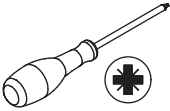


Fix control part 10 to panel 13 with screw(E) as shown.



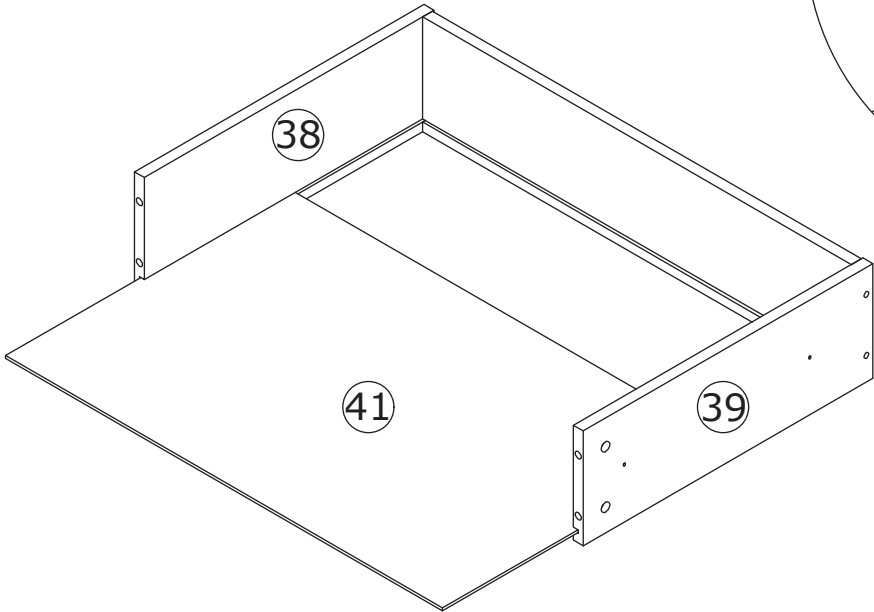
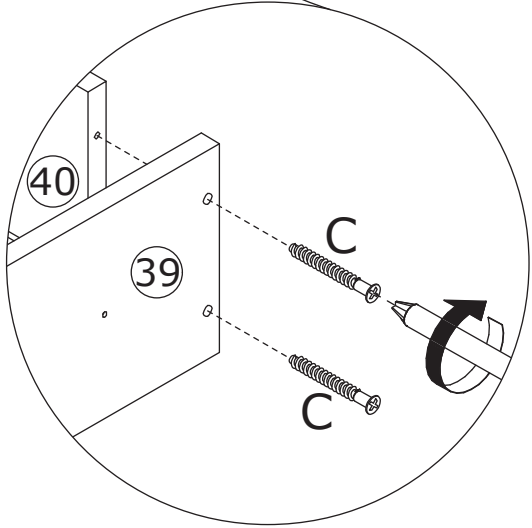
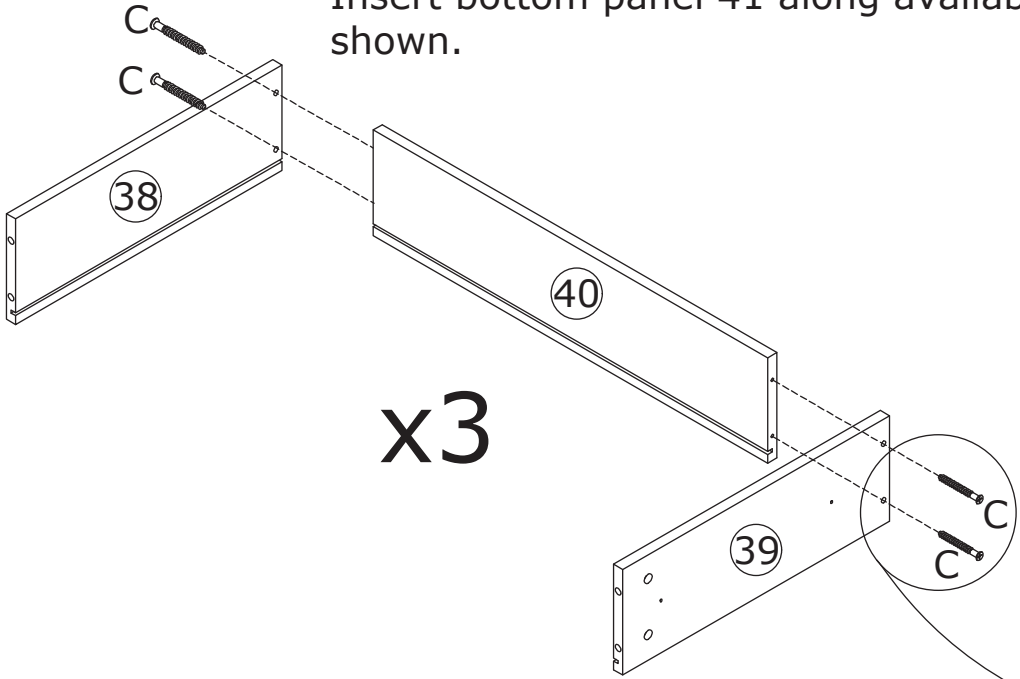
40

C x 12
M5 x 40 mm

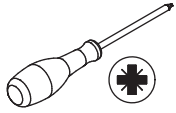


Fix panel 40 to panel 38 and 39 with screw(C) as shown.

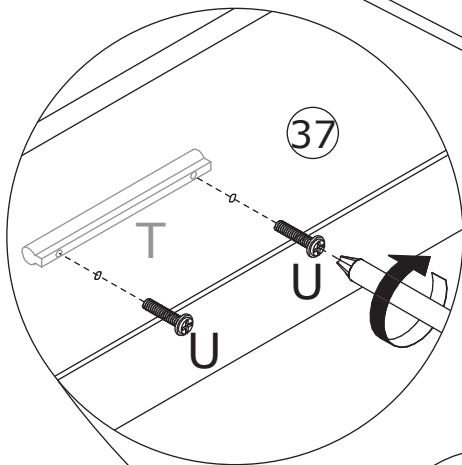
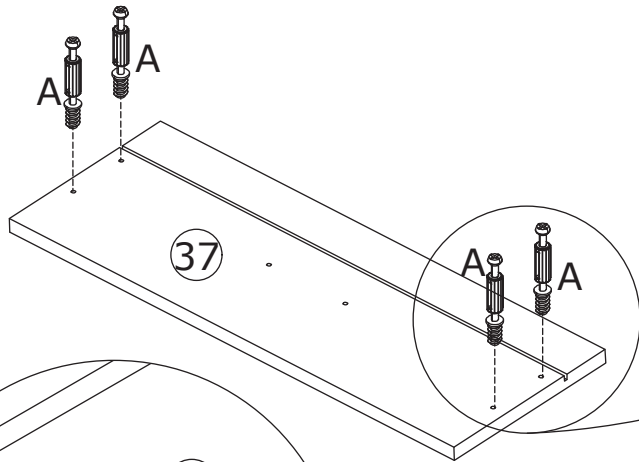
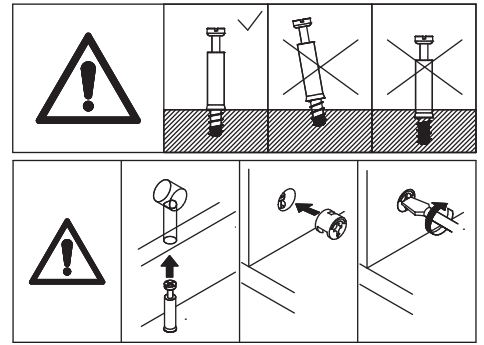
Insert bottom panel 41 along available grooves as shown.



41

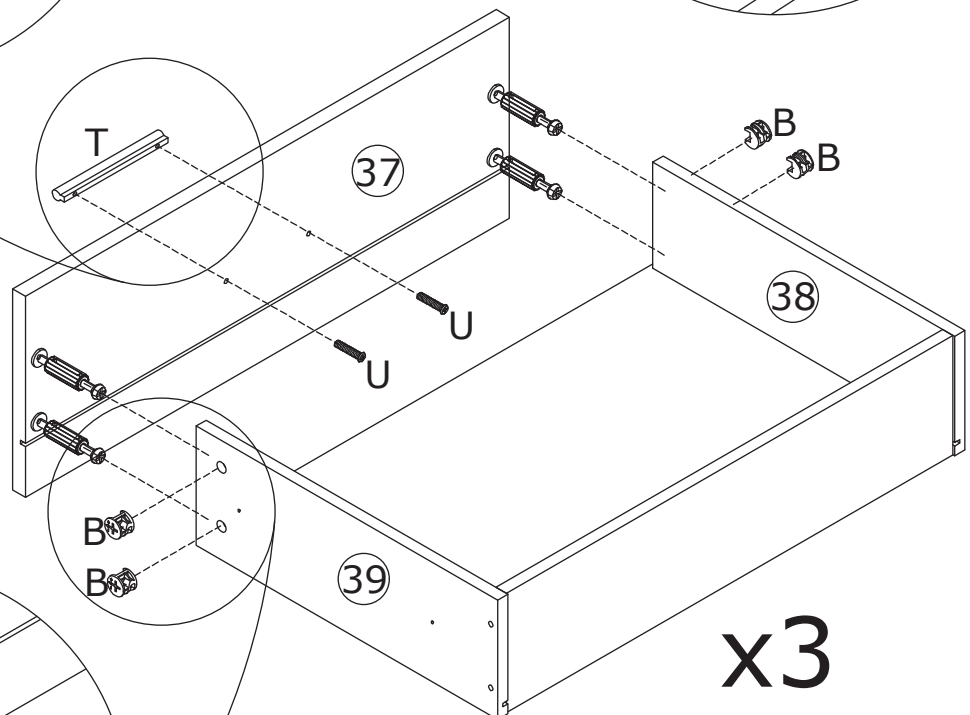
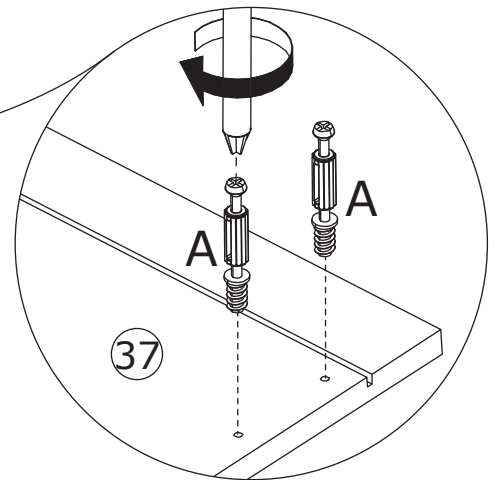
A x 12 M5 x 42 mm	B x 12 Ø15 x 10 mm	T x 3 220-96	U x 6 M4 x 18 mm	
----------------------	-----------------------	-----------------	---------------------	---

Screw eccentric rod(A) into panel 37 at first.



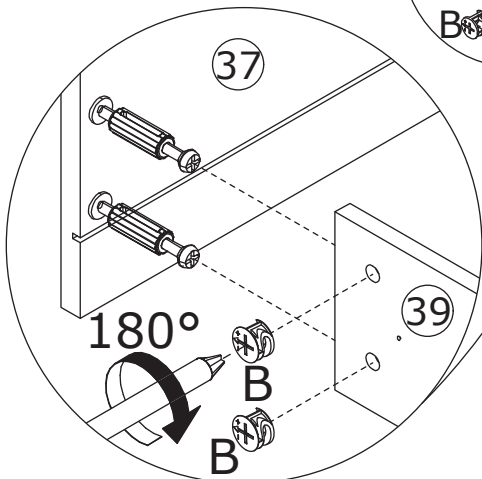
x3

Fix handle(T) with screw(U).



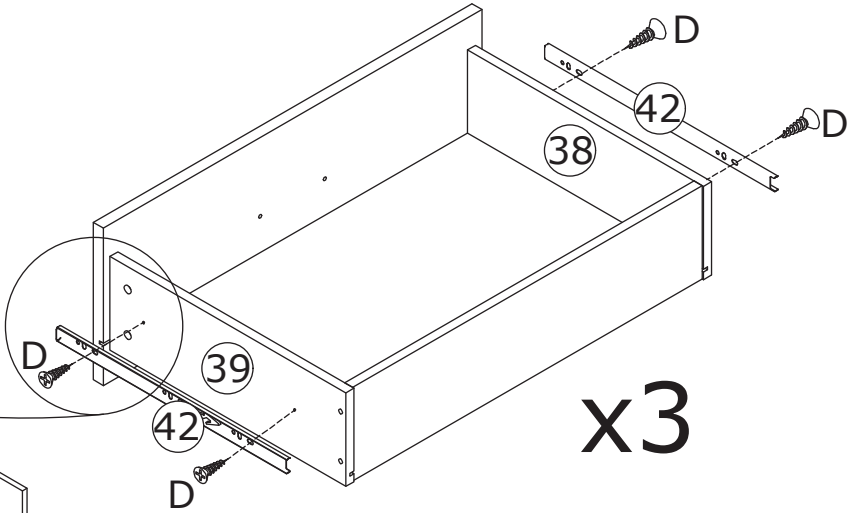
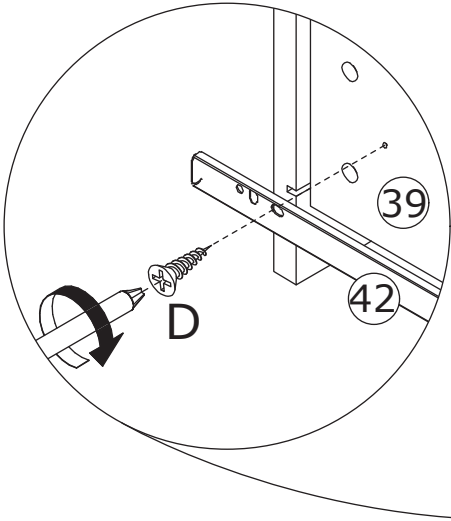
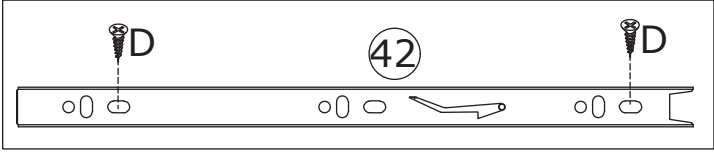
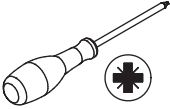
x3

Attach panel 37 to the components, add cam lock(B) into and turn clockwise to tighten as shown.

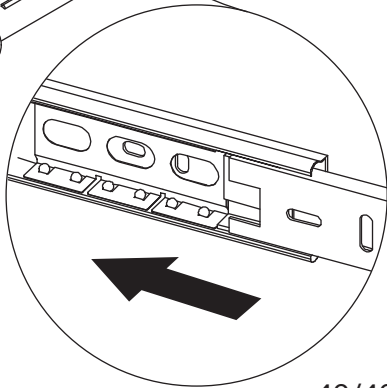
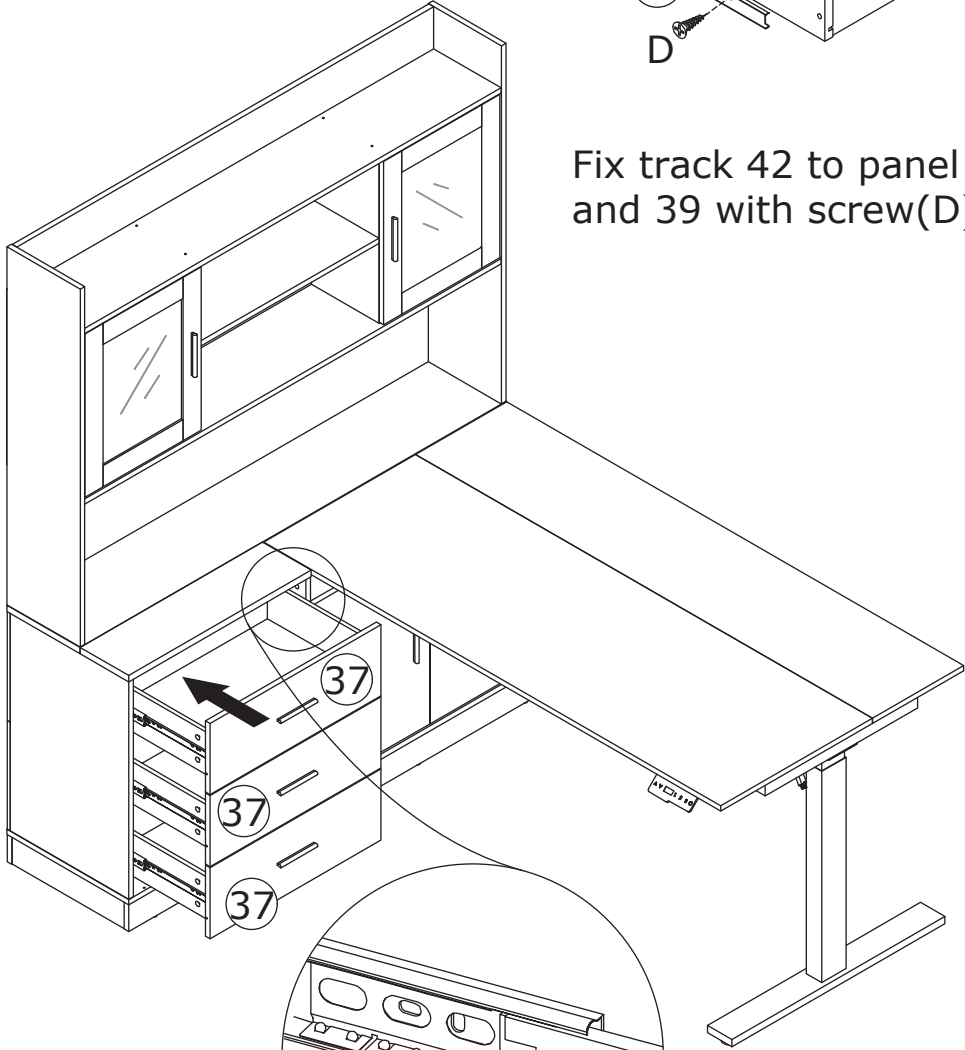


42

D x 12
M3.5 x 12 mm



Fix track 42 to panel 38 and 39 with screw(D) as shown.



WARRANTY

WARRANTY CLAIMS

- There is a 30-day warranty for broken furniture or any other problems that do not work properly. The warranty will start from the date of purchase which must be verified by proof of purchase.
- Before making a claim, we may be able to answer your query, simply call us. Please leave your purchase order number, along with some details of the problem, if you want a replacement part. We will arrange within 48 hours. If there is out of stock, we will reply with a shipping date.
- The product must be used in accordance with the instructions provided. For health reasons.
- For other reasons, if the furniture needs to be returned, it must be cleaned and dried and operated within 30 days of receipt.

Type of Warranty Claim

- Failure to follow the furniture instructions will invalidate the warranty. Attention please.
- Does not include damage during installation, but includes damage during transportation.

Scope of responsibility

- Shall not bear any responsibility for misuse or user damage and / or loss of parts during the installation of furniture.
- After using, the damage and scratches of the furniture are not covered by the warranty.

The Warranty Relates to All Bought in The Us and Covers The Following Areas

- Sheet parts: 1 month from the date of purchase.
- Electrical parts: 1 month from the date of purchase.

RETURNS

CHANGED YOUR MIND AND NEED TO RETURN YOU ITEM?

PLEASE FOLLOW THE BELOW INSTRUCTIONS:

- If you have purchased and have simply changed your mind, follow the retailer's instructions for returns.

DEFECTIVE ITEMS

- If your item is defective in any way, i.e. it doesn't work but you can't identify why, in the first instance, please call us.

DAMAGED ITEMS

- If you receive an order with obvious shipping damage from the retailer, then we suggest the delivery is refused. If the delivery has been accepted and then shipping damage is found, please follow the specific instructions advised by the retailer.
In all circumstances please save all packaging material and paperwork for the order. Please be aware that if you dispose of packaging material or attempt to return the merchandise without contacting the fulfiller, you jeopardise your chances of making a claim, and you may not receive a credit for the return.

AFTER-SALES CONTACT



adelahu@fufugaga.com



208-820-0068