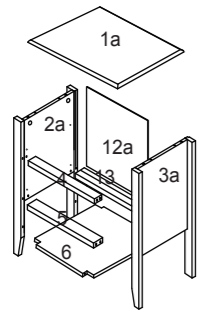
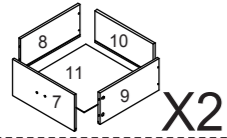
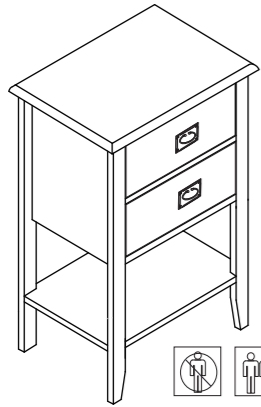


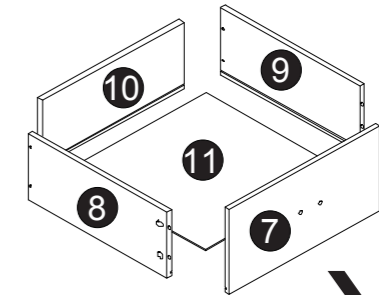
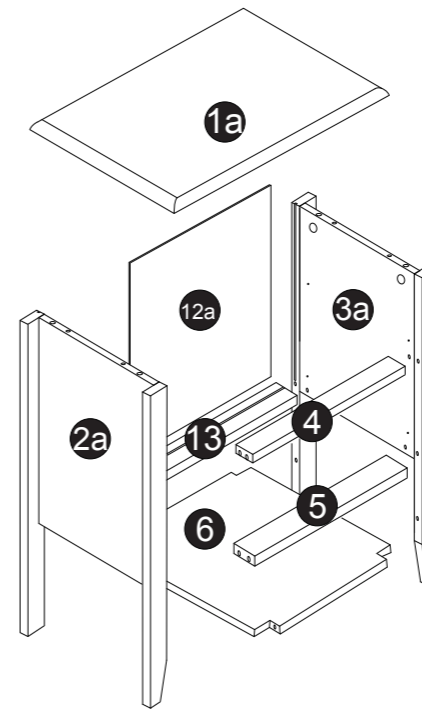
Assembly Instructions

Tips!

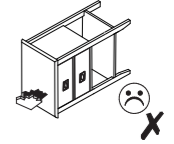
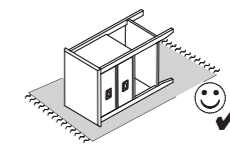
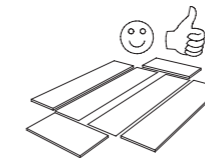
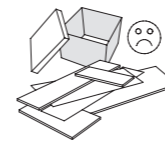
Check all the components & screws before assembly. **Do not install in case part is missing, contact us to get.** We will resend as soon as possible.



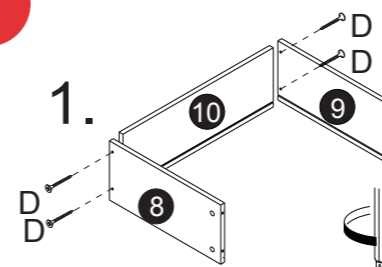
Components						
1a		400 X 300mm	1	8	250 X 90mm	2
2a		585 X 290mm	1	9	250 X 90mm	2
3a		585 X 290mm	1	10	250 X 90mm	2
4		300 X 35mm	1	11	258 X 246mm	2
5		300 X 45mm	1	12a	308 X 272mm	1
6		367 X 287mm	1	13	300 X 45mm	1
7		295 X 120mm	2			
Screws & Tools						
A			20	H		2
B			20	I		2
C			12	J		2
D		4 X 35mm	8	K		2
E		3 X 12mm	16	L		4
F		4 X 12mm	4			1
G			2			



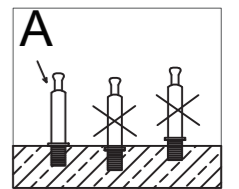
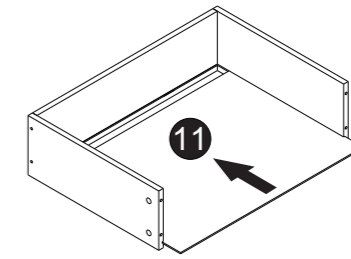
X2



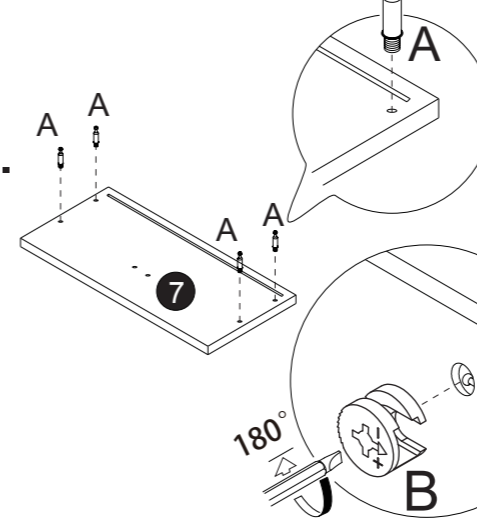
1



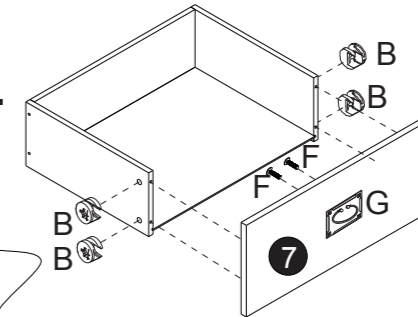
2.



3.

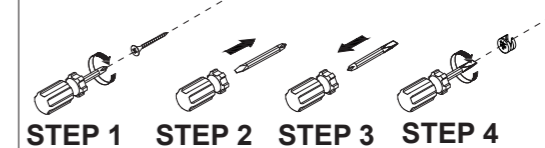


4.



X2

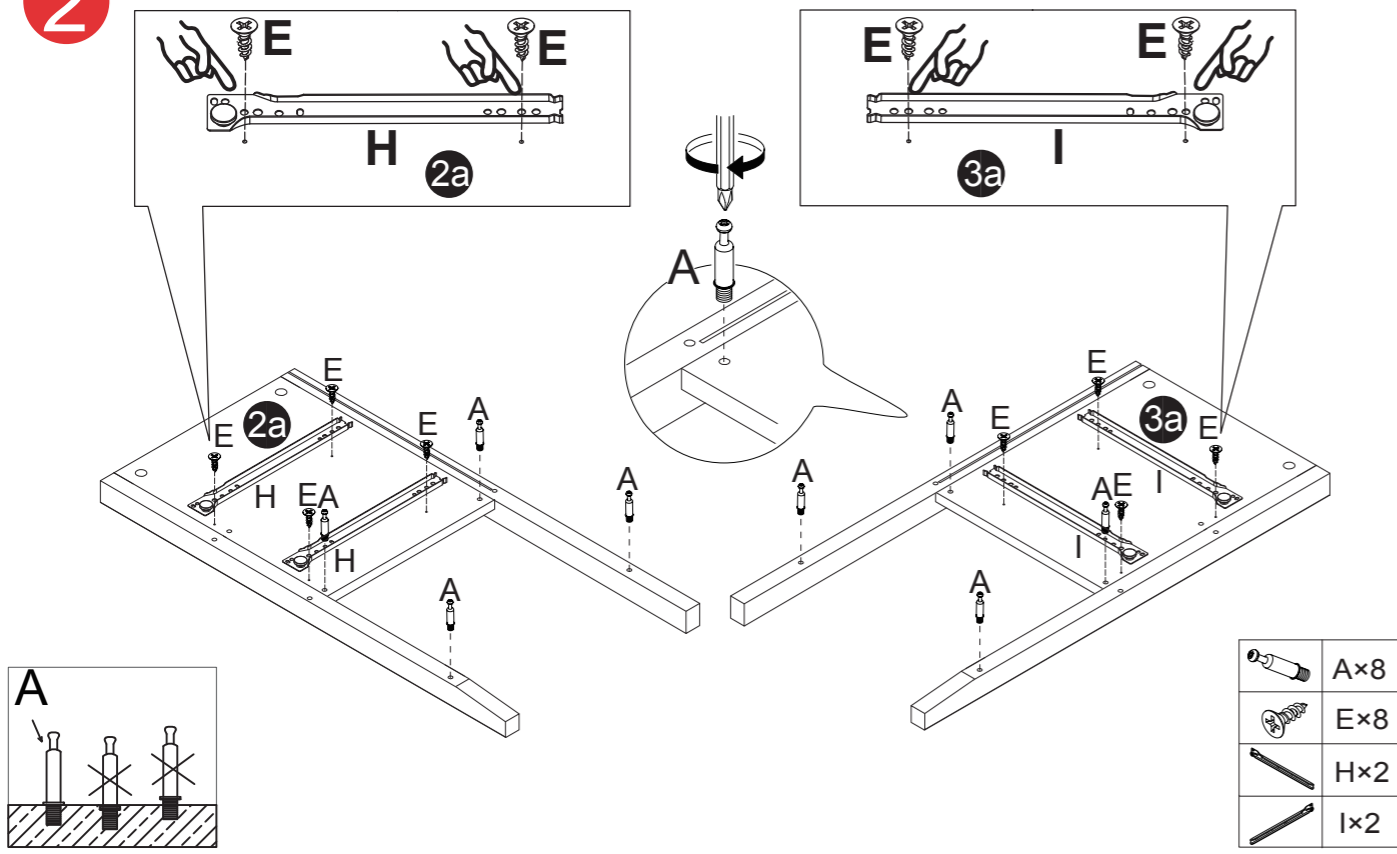
This screwdriver can be used at both ends



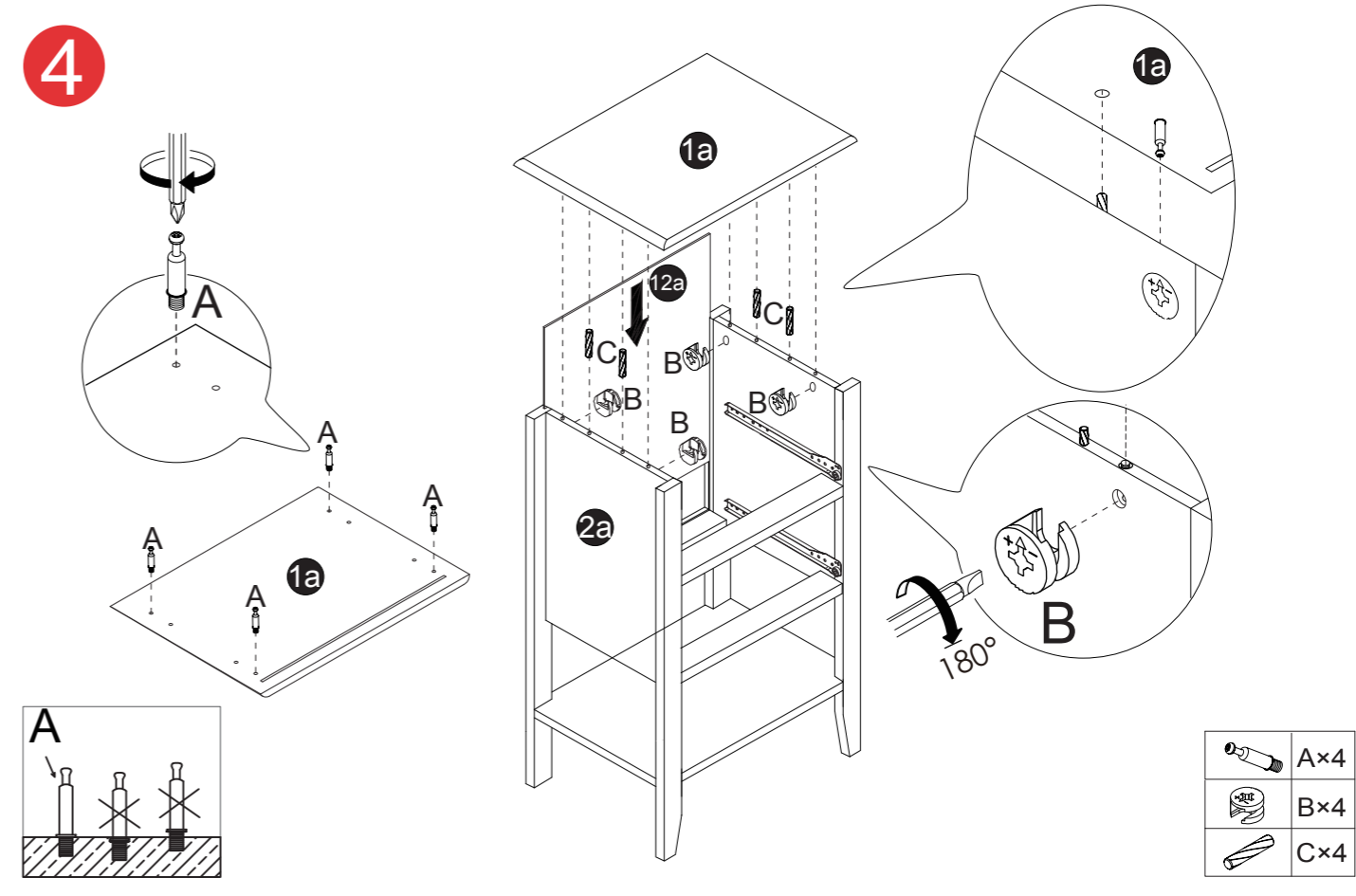
	A×8
	B×8
	D×8
	F×4
	G×2

STEP 1 STEP 2 STEP 3 STEP 4

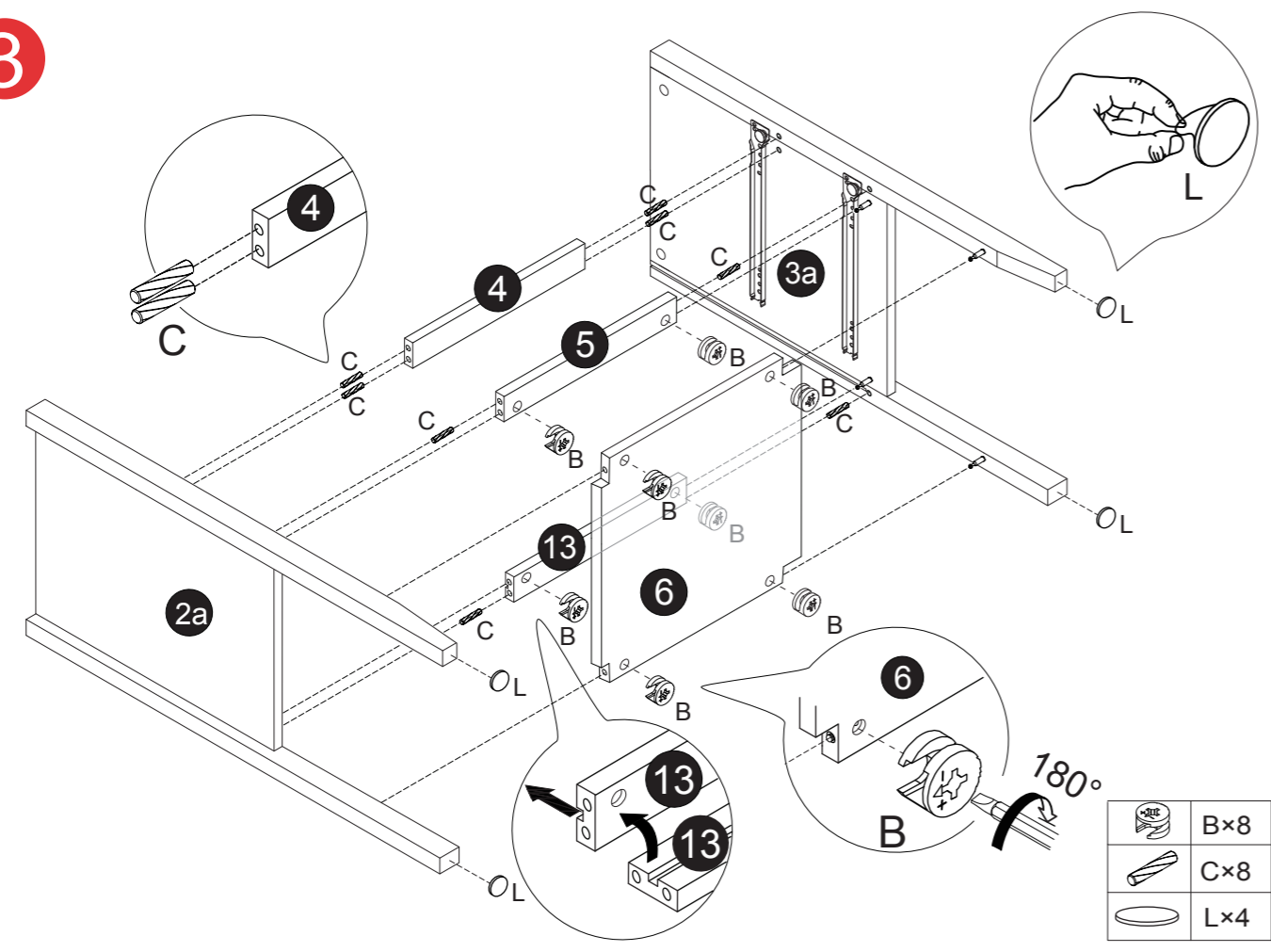
2



4

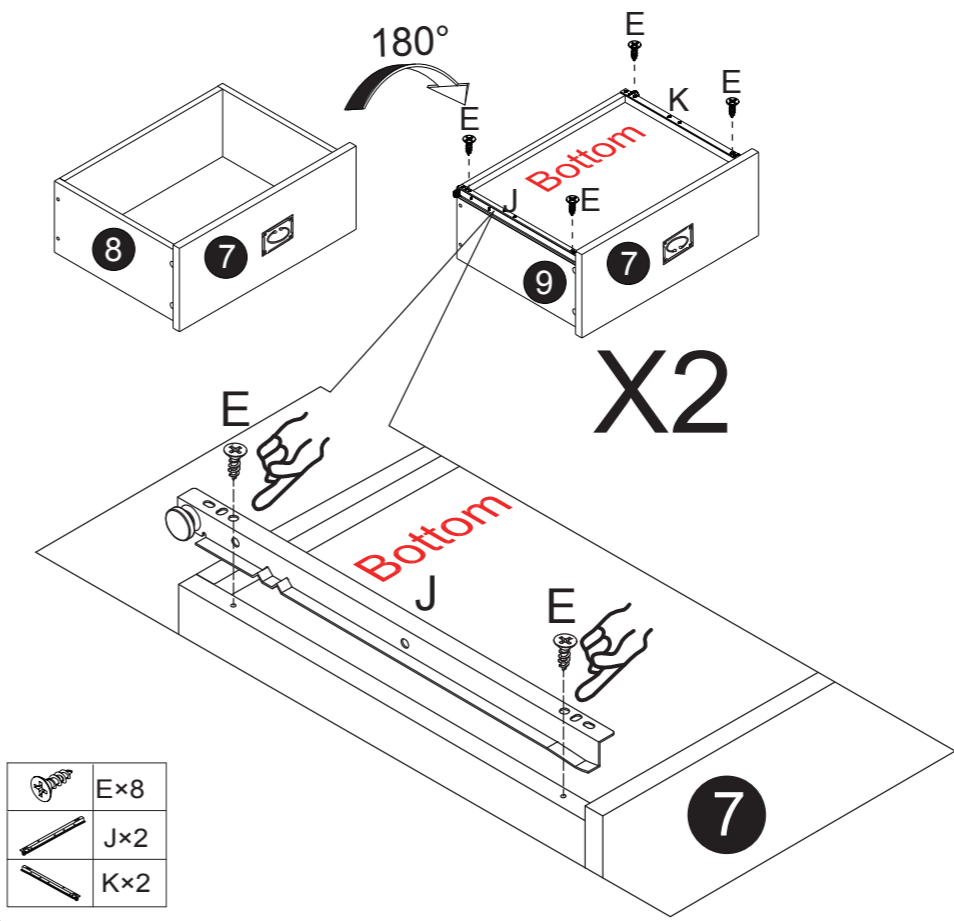


3



5

Note: Flip the drawer's bottom to top to set the rail. (180°)



6

