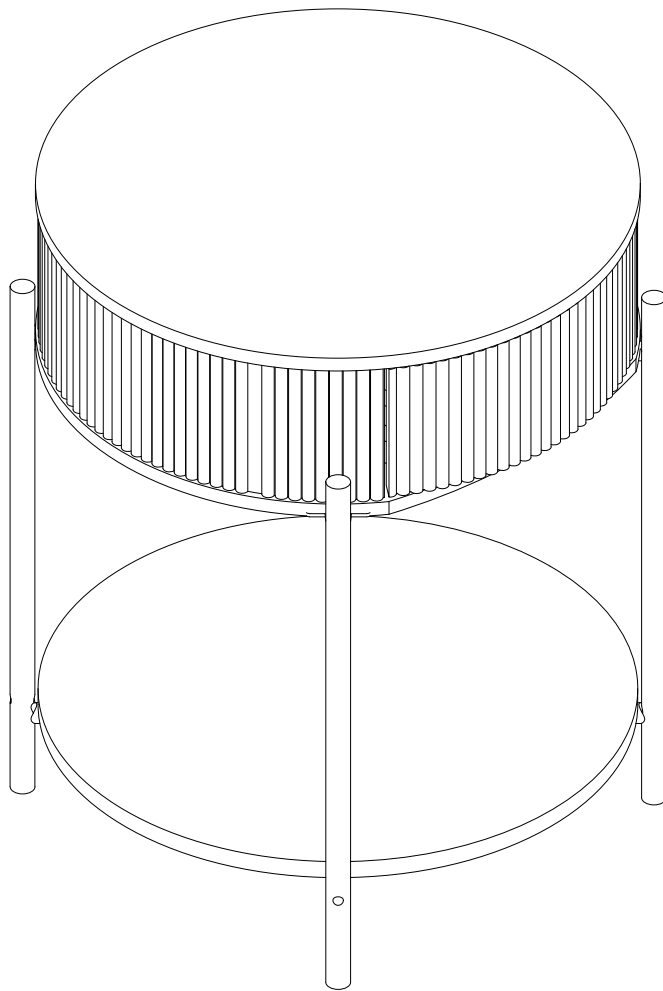


Assembly Instructions

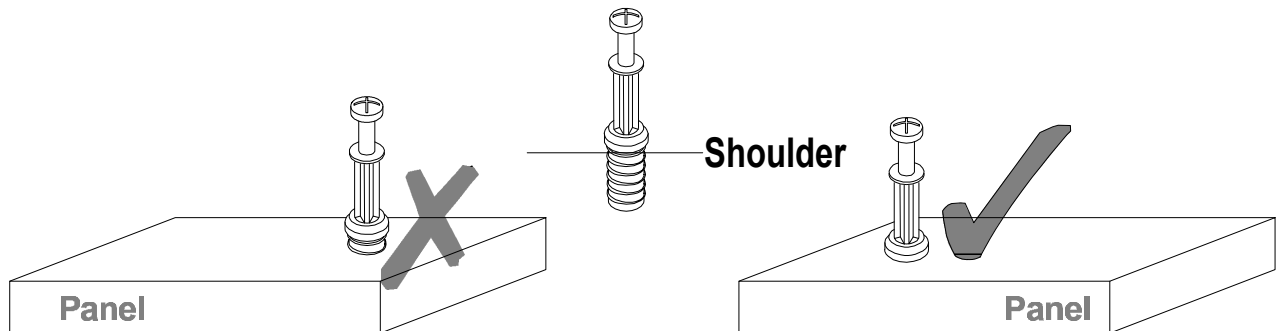


Before Assembly

Tips Before Your Start:

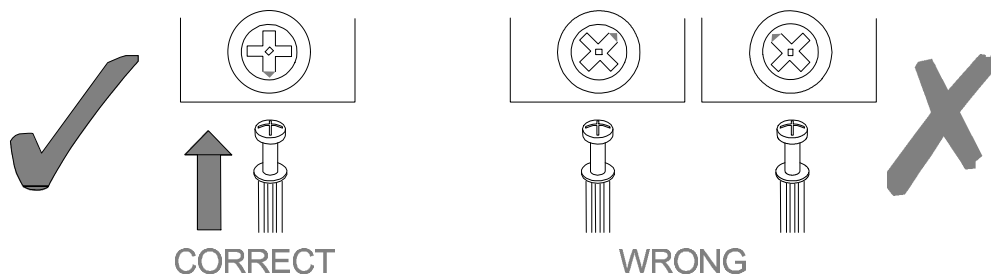
- Remove all wrapping material, including staples & packing straps before you start to assemble.
- DO NOT tighten all screws and bolts until the assembly is completely assembled.
- Keep all hardware parts out of reach of children.

QUICKFIT



Tighten quickfit until shoulder is flush with panel. Do not overtighten or undertighten.

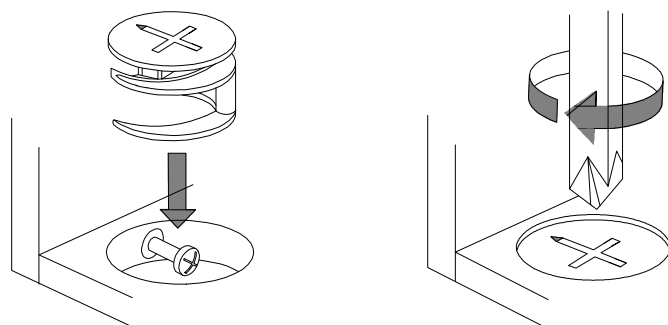
CAM LOCK



When fitting a cam lock, ensure the starting position is correct before inserting the connecting QUI CKFIT

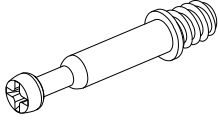

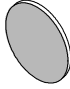
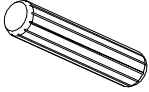
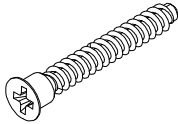
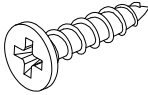
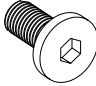
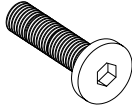
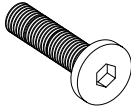


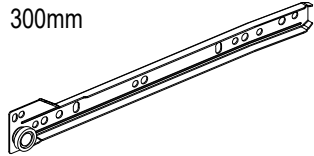
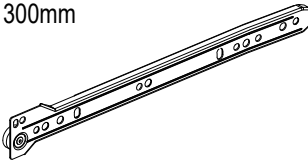
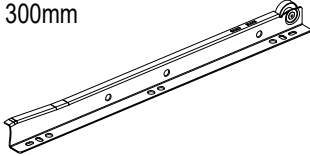
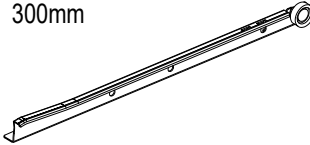
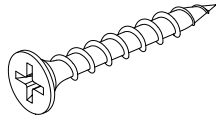
Quickfit head should be in the centre of the cam lock when the two panels are joined.

Cam lock should be inserted before quickfit.



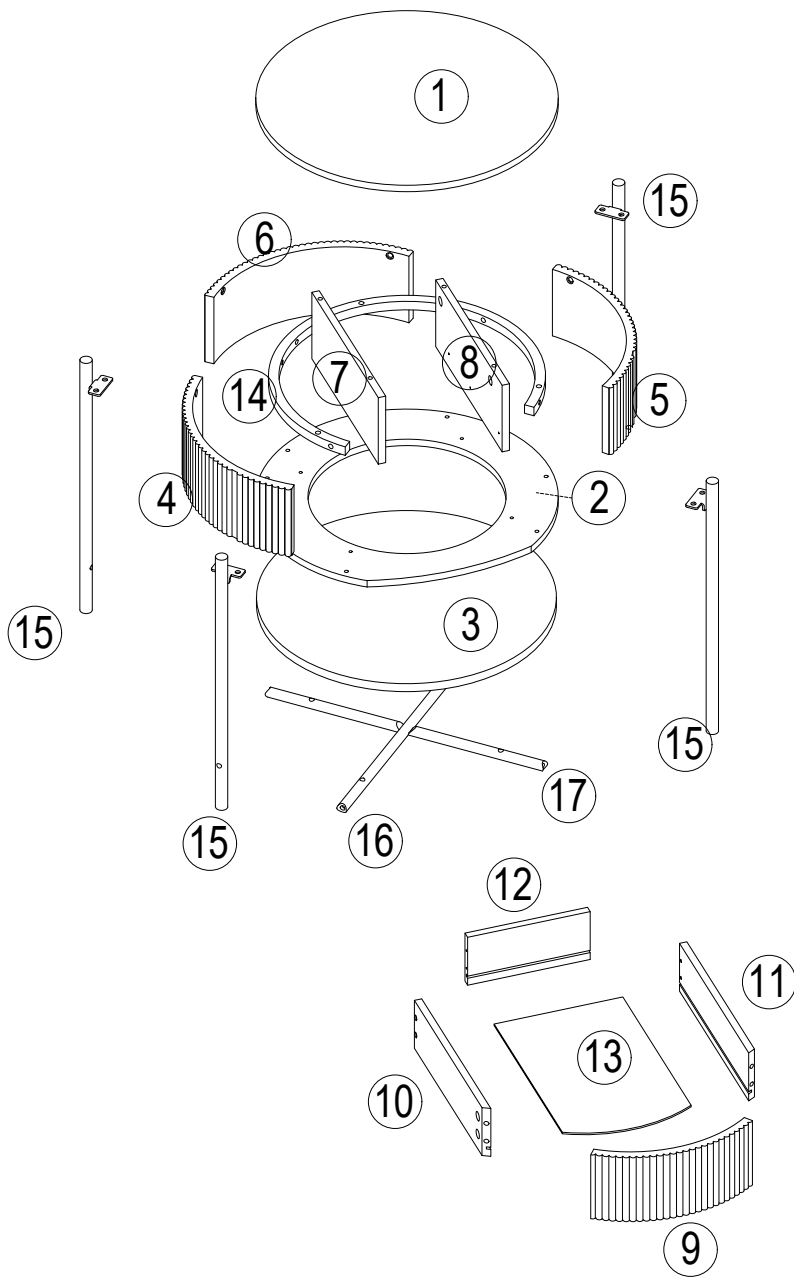
Turn cam lock clockwise to tighten.

Part List

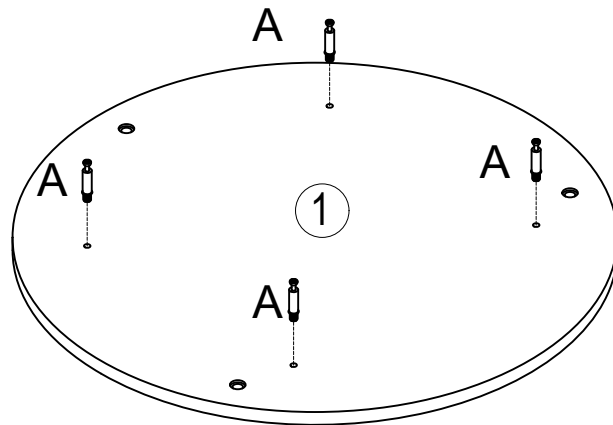
<p>No. A Quantity: 8 PCS Cam Bolt ø6x33.5mm</p> 	<p>No. B Quantity: 8 PCS Cam ø15x9.5mm</p> 	<p>No. C Quantity: 8 PCS Sticker ø20mm</p> 	<p>No. D Quantity: 3 PCS Dowel ø6x30mm</p> 
<p>No. E Quantity: 10+1 PCS Screw ø5x48mm</p> 	<p>No. F Quantity: 12+1 PCS Screw ø3.5x12mm</p> 	<p>No. G Quantity: 9 PCS Bolt M6x12mm</p> 	<p>No. H Quantity: 13+1 PCS Bolt M6x25mm</p> 
<p>No. I Quantity: 4 PCS Bolt M6x30mm</p> 	<p>No. J Quantity: 1 PCS Hex Key 4mm</p> 	<p>No. K Quantity: 4 PCS Bolt M6x40mm</p> 	<p>No. CL Quantity: 1 PC Drawer Slider 300mm</p> 
<p>No. CR Quantity: 1 PC Drawer Slider 300mm</p> 	<p>No. DL Quantity: 1 PC Drawer Slider 300mm</p> 	<p>No. DR Quantity: 1 PC Drawer Slider 300mm</p> 	<p>No. L Quantity: 4 PCS Screw ø4x30mm</p> 

If your order is double pcs package, the hardwares above will be double qty as well.

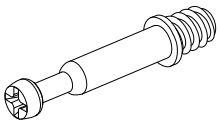
Product structure



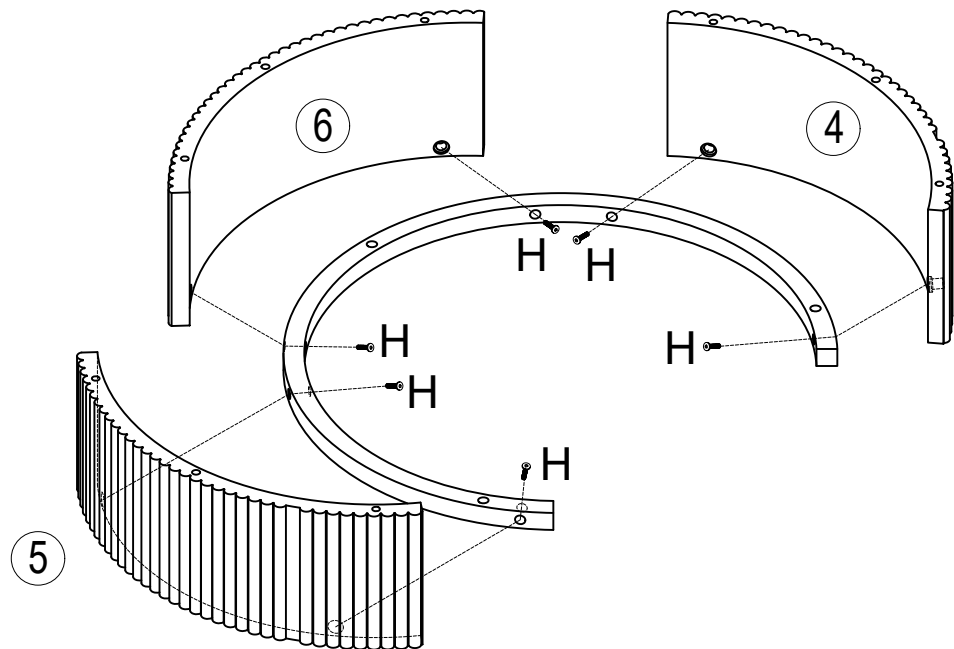
STET 1



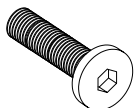
No. A
Quantity: 4 PCS
Cam Bolt
ø6x33.5mm



STET 2



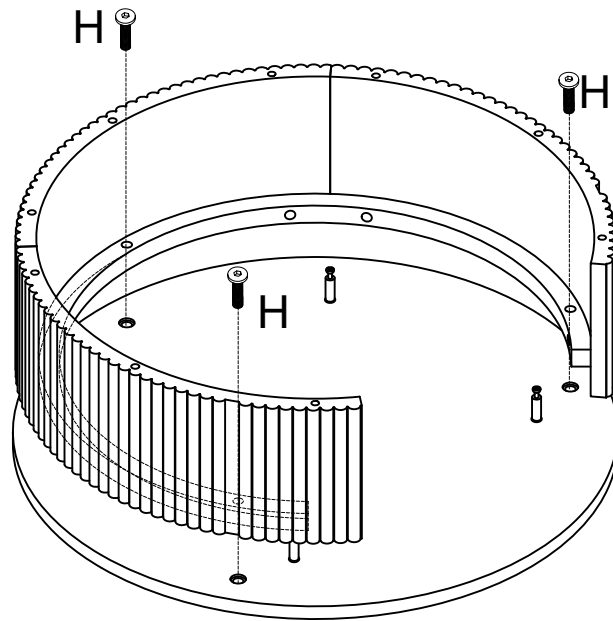
No. H
Quantity: 6 PCS
Bolt
M6x25mm



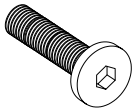
No. J
Quantity: 1 PCS
Hex Key
4mm



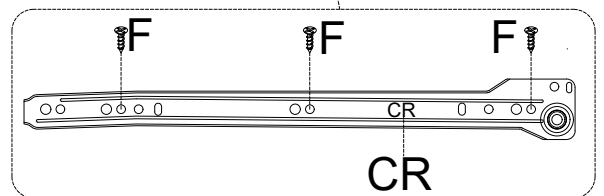
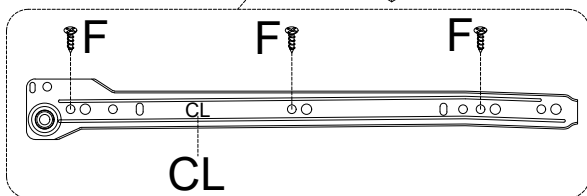
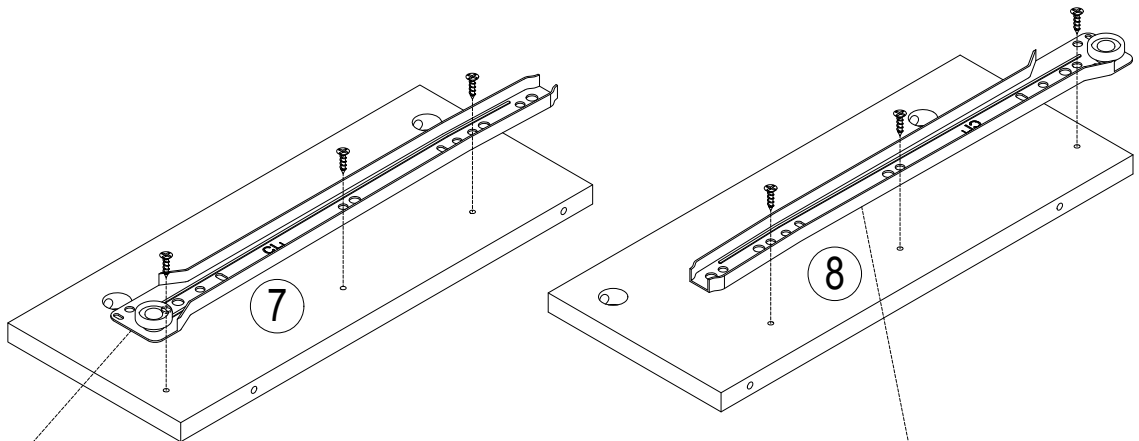
STET 3



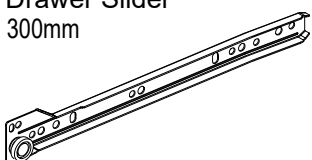
No. H
Quantity: 3 PCS
Bolt
M6x25mm



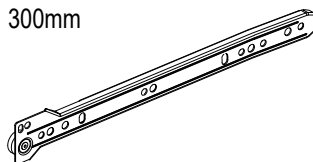
STET 4



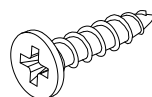
No. CL
Quantity: 1 PC
Drawer Slider
300mm



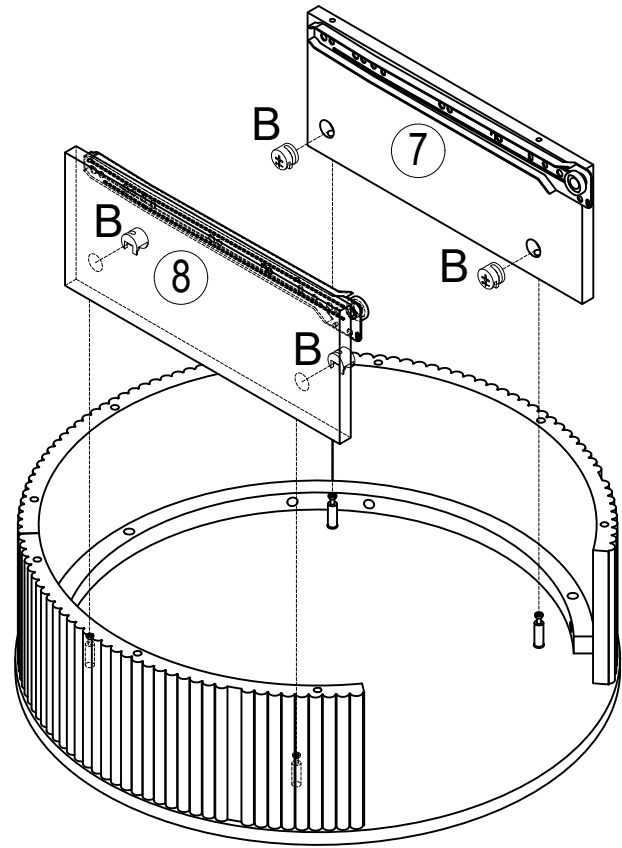
No. CR
Quantity: 1 PC
Drawer Slider
300mm



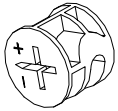
No. F
Quantity: 6 PCS
Screw
ø3.5x12mm



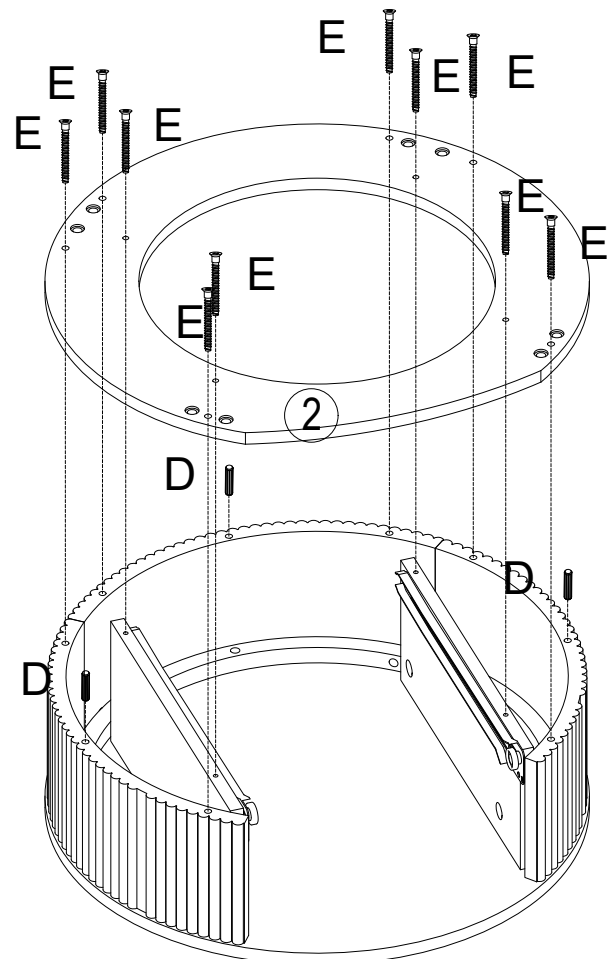
STET 5



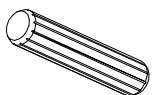
No. B
Quantity: 4 PCS
Cam
ø15x9.5mm



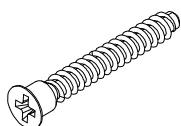
STET 6



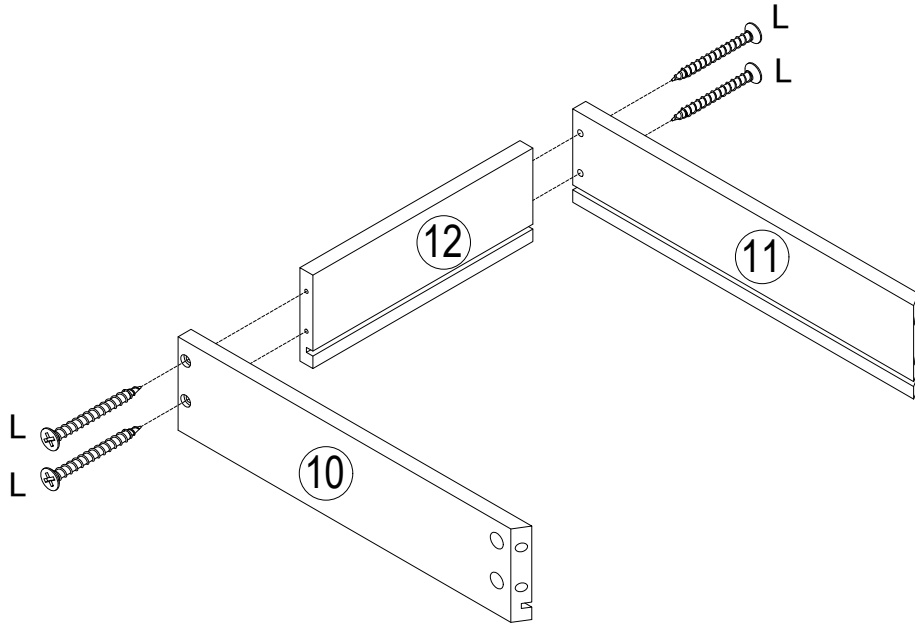
No. D
Quantity: 3 PCS
Dowel
ø6x30mm



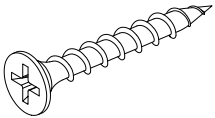
No. E
Quantity: 10 PCS
Screw
ø5x48mm



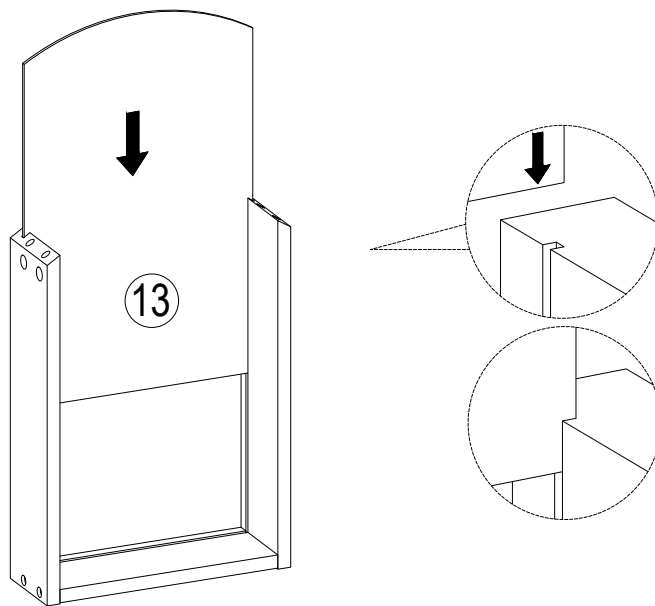
STET 7



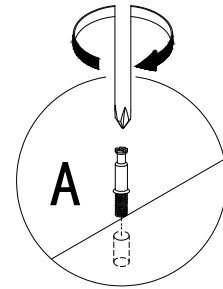
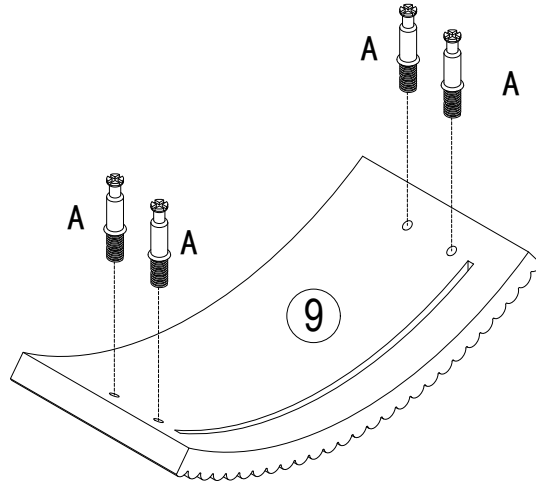
No. L
Quantity: 4 PCS
Screw
ø4x30mm



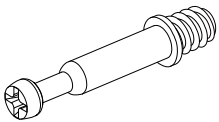
STET 8



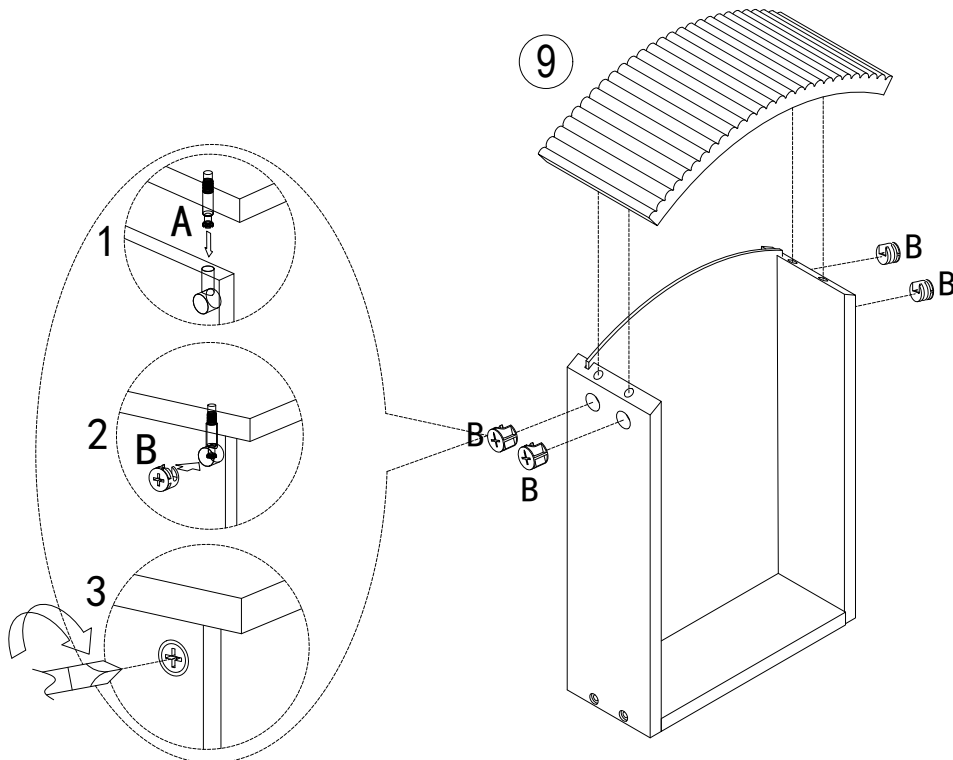
STET 9



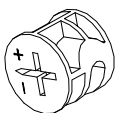
No. A
Quantity: 4 PCS
Cam Bolt
ø6x33.5mm



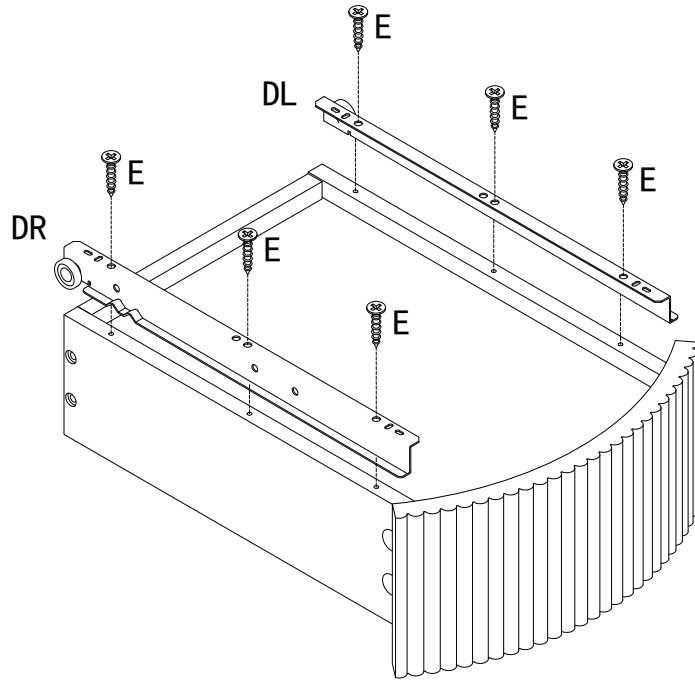
STET 10



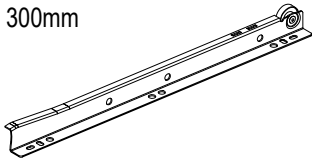
No. 8
Quantity: 4 PCS
Cam
ø15x9.5mm



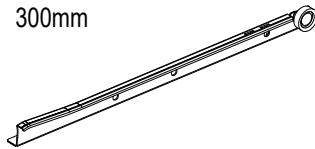
STET 11



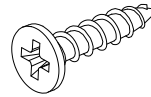
No. DL
Quantity: 1 PC
Drawer Slider
300mm



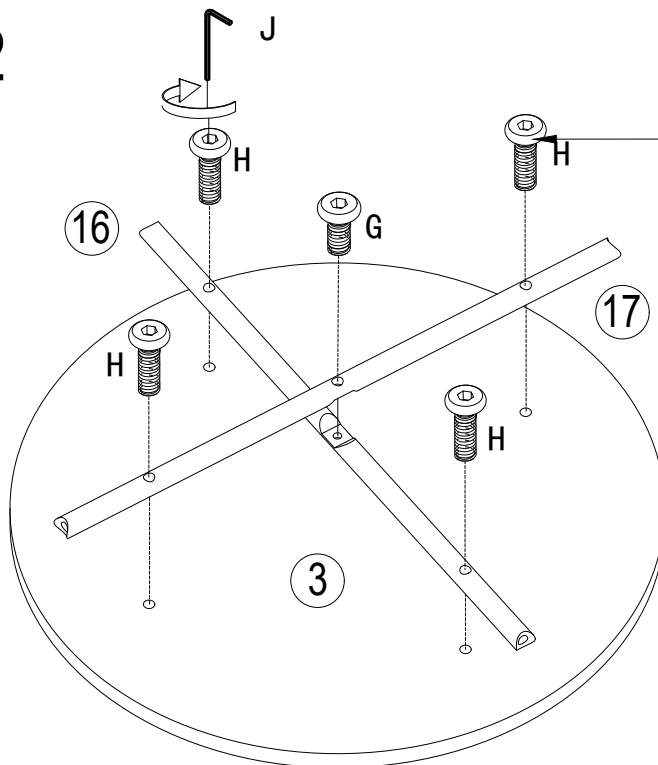
No. DR
Quantity: 1 PC
Drawer Slider
300mm



No. F
Quantity: 6 PCS
Screw
ø3.5x12mm

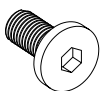


STET 12

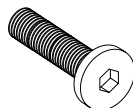


Noted the length of bolt (C) is 25mm, use other bolt maybe cause the shelf to bump

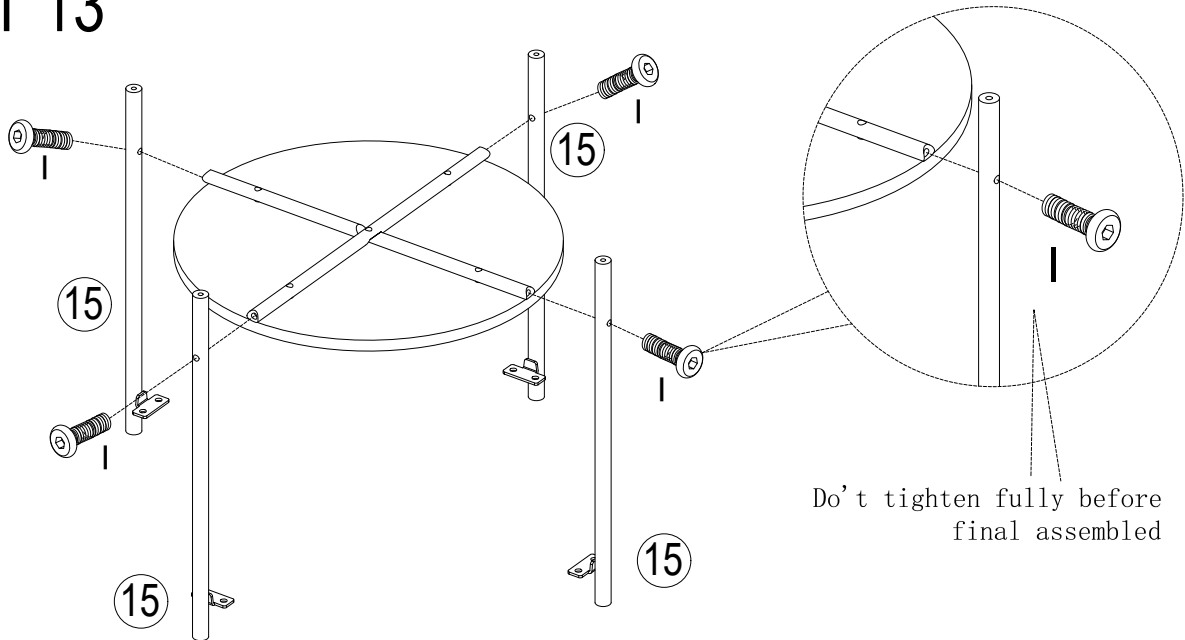
No. G
Quantity: 1 PCS
Bolt
M6x12mm



No. H
Quantity: 4 PCS
Bolt
M6x25mm



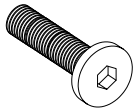
STET 13



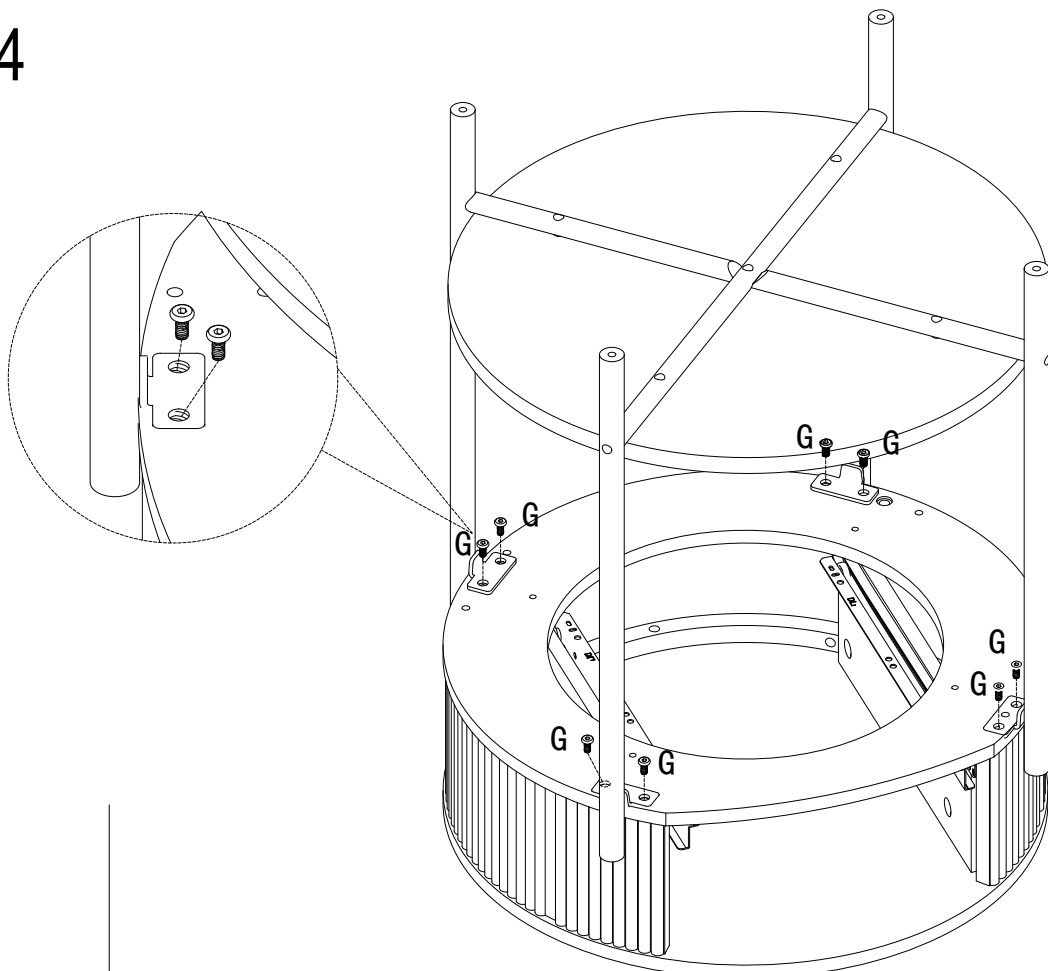
No. I

Quantity: 4 PCS

Bolt
M6x30mm



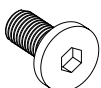
STET 14



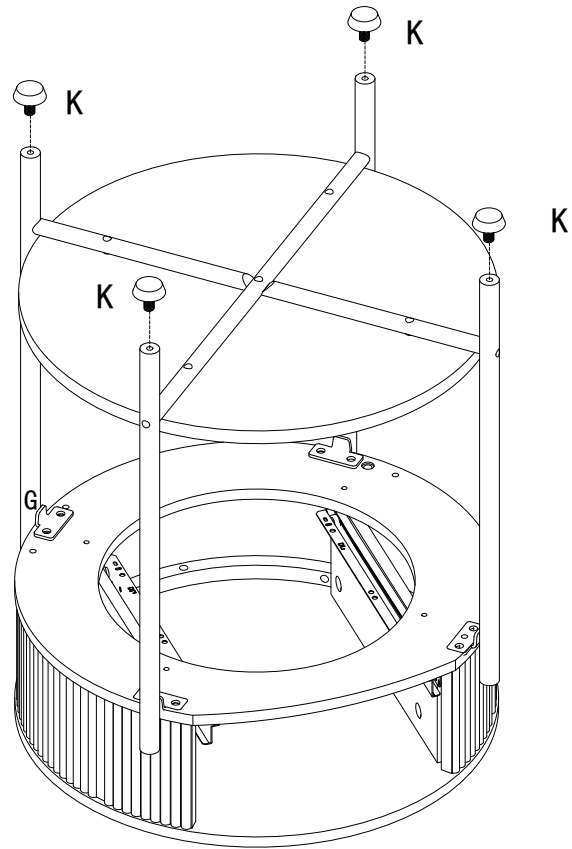
No. G

Quantity: 8 PCS

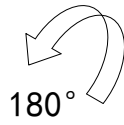
Bolt
M6x12mm



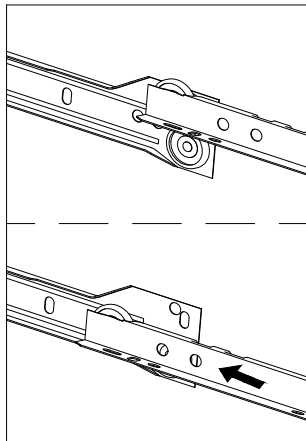
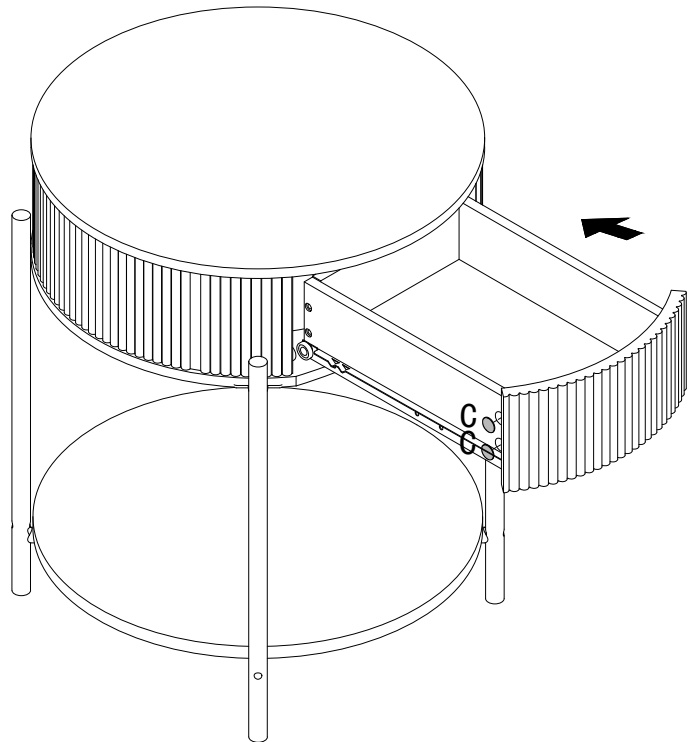
STET 15



No. K
Quantity: 4 PCS
Bolt
M6x40mm



STET 16



No. C
Quantity: 8 PCS
Sticker
ø20mm

