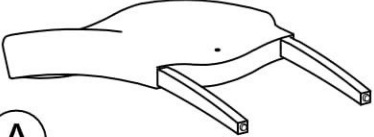
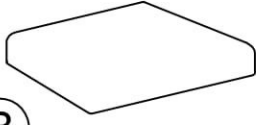
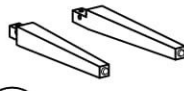
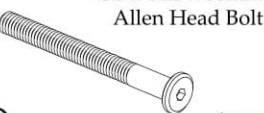

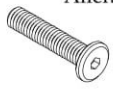



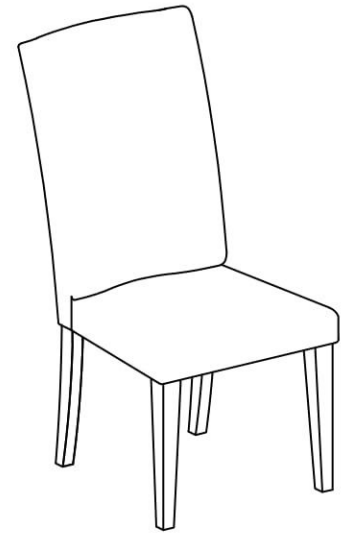


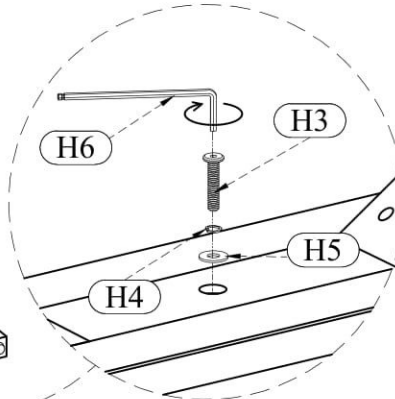
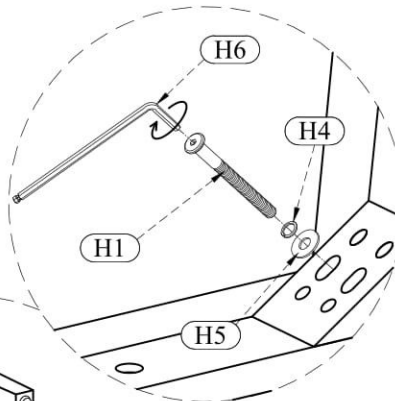
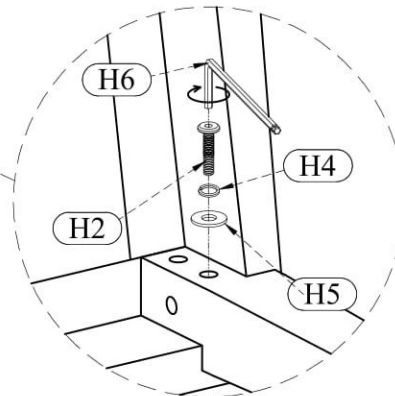
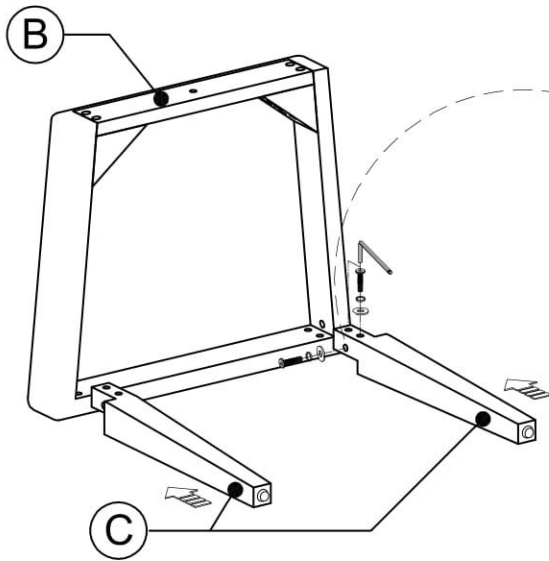
Chair Assembly Instructions

Components and Hardware List

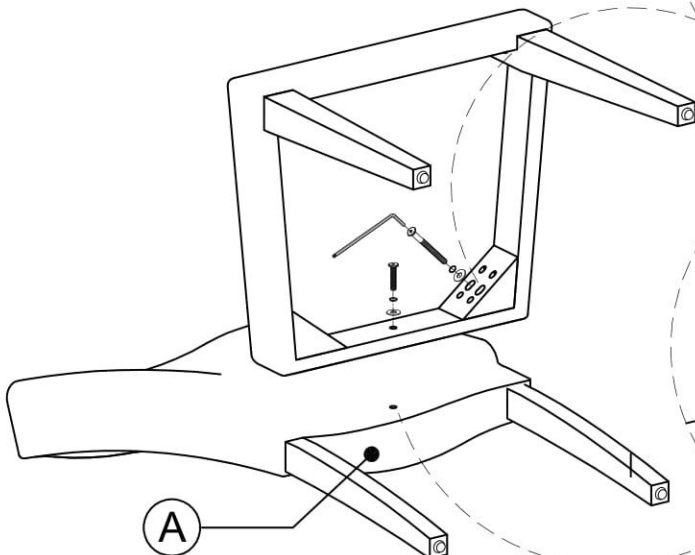
Back	Seat	Front Legs
 A 1 pc.	 B 1 pc.	 C 2 pcs.
 Ø8 x 1.25 x 80mm Allen Head Bolt H1 4 pcs.	 Ø8 x 1.25 x 60mm Allen Head Bolt H2 6 pcs.	 Ø8 x 1.25 x 40mm Allen Head Bolt H3 1 pc.
 Ø9 x Ø13mm Spring Washer H4 11 pcs.	 Ø8 x Ø20mm Flat Washer H5 11 pcs.	 4 x 110mm Allen Wrench H6 1 pc.



Step 1:



Step 2:



Steps:

To prevent possible scratches or damage, this chair should be assembled on a soft and smooth surface such as a blanket or carpet.

1. Assemble the Front Legs (C) to the front corners of the Seat (B) using the 50mm (2") long Allen Head Bolts (H2), Spring Washers (H4) and Flat Washers (H5). Do not fully tighten until after chair has been completely assembled.
2. Attach Chair Seat (B) to the Back Assembly using the 80mm (3-3/8") long Bolt (H1) Spring Washer (H4) and Flat Washer (H5) into the back corners of the Seat and the 40mm (1-5/8") long Bolt (H3) and the same Washers into the middle of the Seat, as shown. Do not fully tighten any Bolts until after next step.
3. Set the assembled Chair upright on a flat surface to level Chair. Reach underneath Chair and tighten all Bolts using the Allen Wrench (H6).