

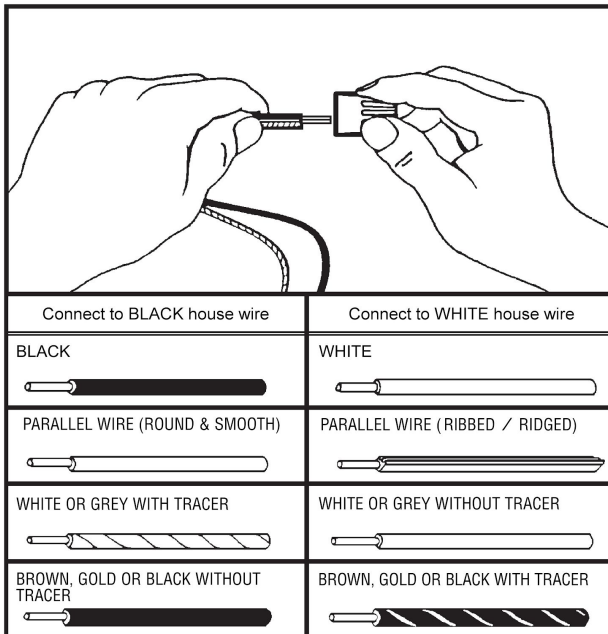
## IMPORTANT SAFETY INSTRUCTIONS

- To avoid injury or damage, mount only on a surface that is sturdy.
- To avoid electric shock, make sure the electricity is turned off at the main circuit breaker panel. If you are replacing an existing fixture, turn off the following in order: fixture, wall switch, and main fuse or breaker box.  
**Note: Some types of fuses must be unscrewed to shut the power off.**
- If you are unclear as to how to proceed, please consult a licensed electrician.

**UNPACK THE FIXTURE:** Check the contents of the box. Box should contain all items on the parts diagram.

## INSTALLATION INSTRUCTIONS

1. Secure Mounting Plate (A) to the junction box (not included) using Mounting Screws (B) provided. Ensure Mounting Plate (A) is positioned with the brackets on the top and bottom.
2. Using the wire graph below, connect the appropriate wires from the fixture to the corresponding wires in the electrical junction box (not included) and secure Wire Connectors (C).

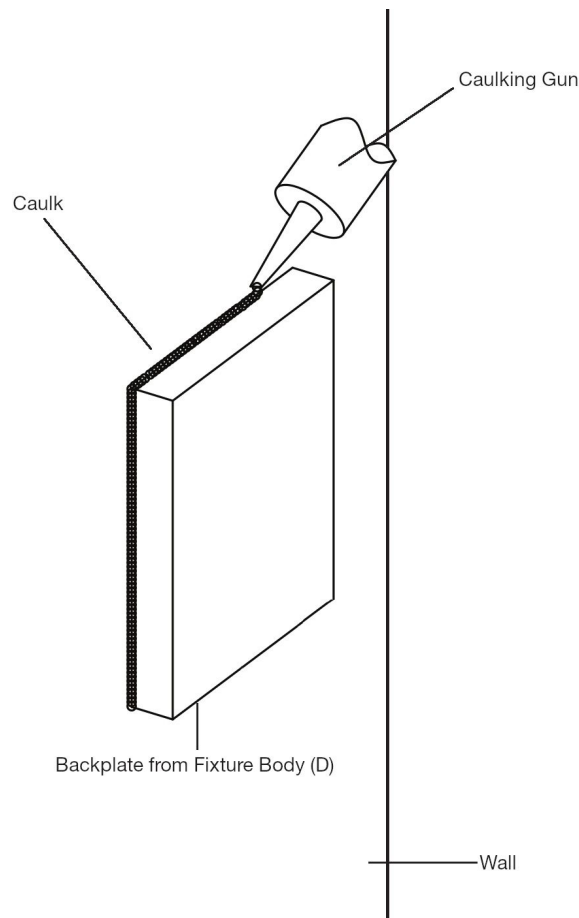


- A. Connect the ground wire (bare copper or green) from your fixture to the:
  1. ground wire in the junction box, or
  2. ground screw in the junction box
- B. Connect the BLACK house wire to fixture hot wire that corresponds to diagram (black, round & smooth, white/grey with tracer, brown/gold without tracer).
- C. Connect the WHITE house wire to fixture neutral wire that corresponds to diagram (white, ribbed/ridged, white/grey without tracer, brown/gold with tracer).

3. Place all wires and Wire Connectors (C) back into the junction box.
4. Place Fixture Body (D) backplate against the wall, ensuring holes on each side of Fixture Body (D) align with the holes on Mounting Plate (A). Secure Fixture Body (D) to Mounting Plate (A) with Backplate Screws (E) and Washers (I).
5. Install bulbs (not included) into Sockets (F).
6. Secure Weatherproof Cap (H) to top and bottom openings of Shade (G).

## CAULKING INSTRUCTIONS

1. After securing Fixture Body (D) against the wall, seal entirely around the gap between the wall and backplate with good quality waterproof caulk or silicone sealant (not included) and allow to dry.



Enjoy your new fixture!

**HELPFUL TOOLS:** Safety Goggles, Screwdriver, Ladder, Caulk

