

# ASSEMBLY INSTRUCTIONS

090-1129

## TOOLS REQUIRED:

Allen Wrench (supplied, part # A)

## BEFORE YOU START:

1. Check the parts against the parts list to make sure all items are present.
2. Assemble your furniture on a soft, flat surface to avoid scratching the finish.
3. CAUTION: Do not over tighten screws, nuts or bolts during assembly.
4. Your furniture may require occasional tightening.

## INSTRUCTIONS:

1. Put the console top No.1 on the smooth and clean soft surface.
2. Attach two side panel to Top No.1 using Bolt (B), Lock Washer (C), Flat Washer (D) and tighten with Allen Wrench(A). As shown in Figure 1.
3. Attach Shelf No.2 using Bolt (E), Lock Washer (C), Flat Washer (D) and tighten with Allen Wrench(A). As shown in Figure 2.
4. Attach Shelf No.3 and Shelf No.4 as step 3 .
5. Attach two middle legs using Bolt (E), Lock Washer (C), Flat Washer (D) and tighten with Allen Wrench(A). As shown in Figure 3.
6. To level the console, please adjust the levelers accordingly. As shown in Figure 4.

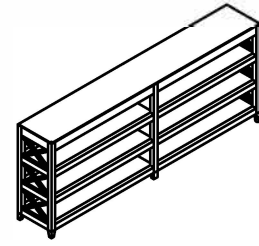


Figure 1

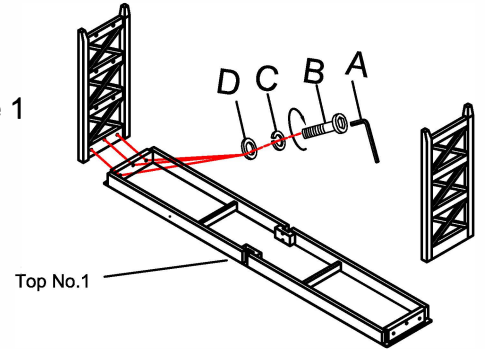


Figure 2

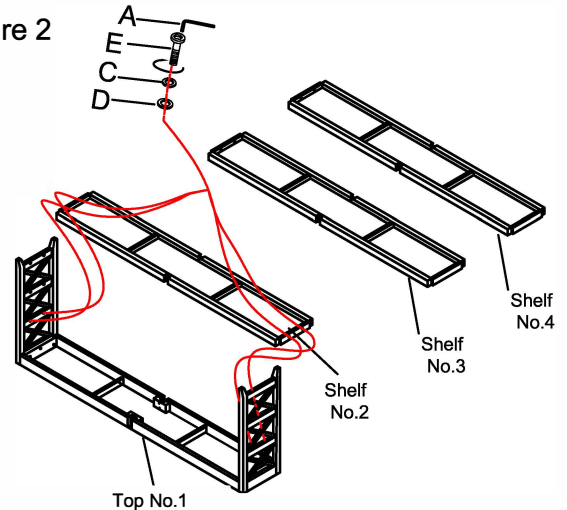


Figure 3

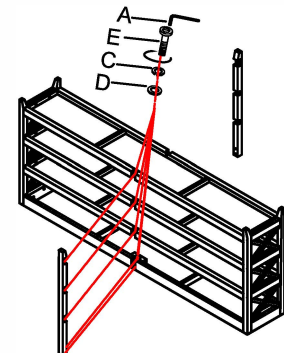
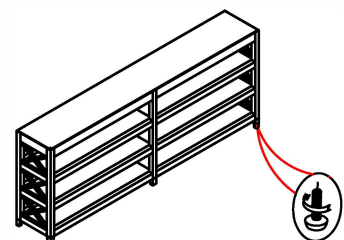


Figure 4



NO	DRAWING	DESCRIPTION	SIZE	Q' ty
A		Allen Wrench	100x50x4mm	1pc
B		Bolt	Ø5/16"x50mm	6pcs
C		Lock washer	Ø5/16"	28pcs
D		Flat washer	Ø5/16"	28pcs
E		Bolt	Ø5/16"x40mm	22pcs