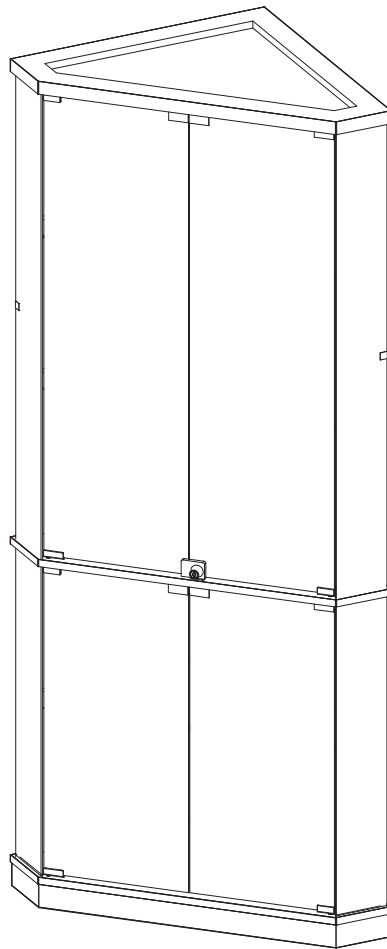
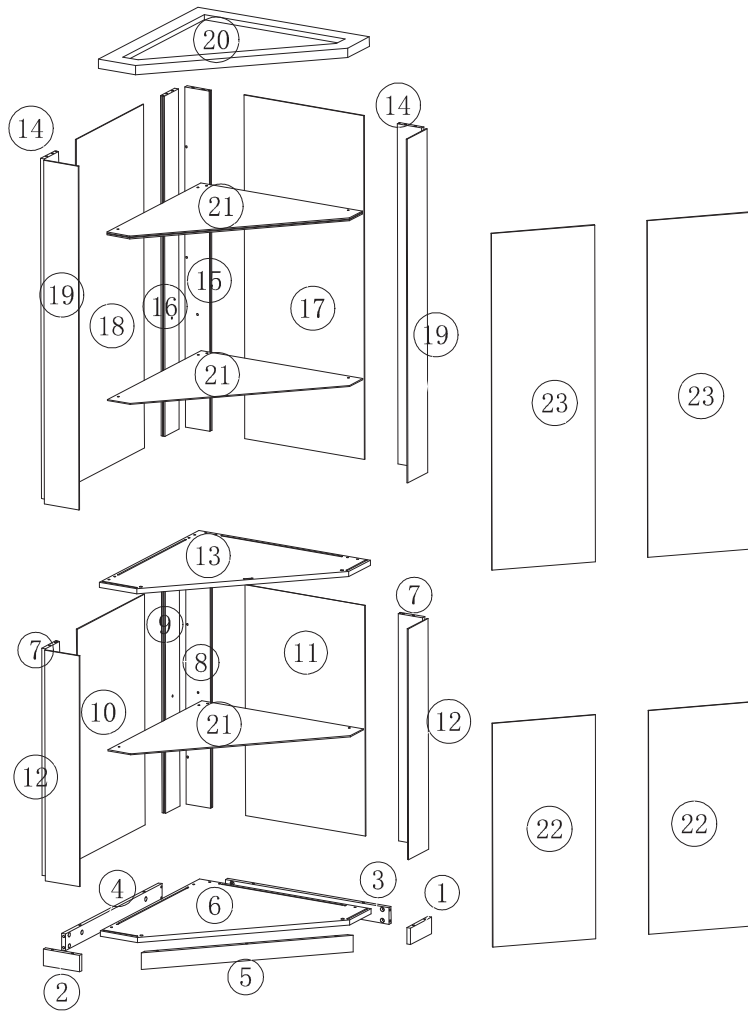


Product structure decomposition

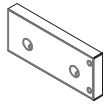
548单 大货版本2026. 1. 20



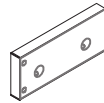
Product structure decomposition



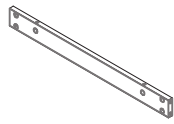
Product structure decomposition



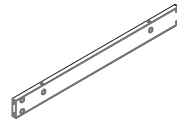
1 x 1



2 x 1



3 x 1



4 x 1



5 x 1



6 x 1



7 x 2



8 x 1



9 x 1



10 x 1



11 x 1



12 x 2



13 x 1



14 x 2

Product structure decomposition



15 x 1



16 x 1



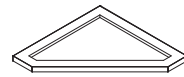
17 x 1



18 x 1



19 x 2



20 x 1



21 x 3

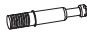

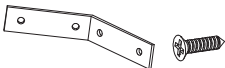

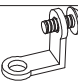


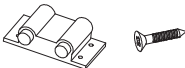



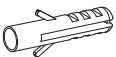
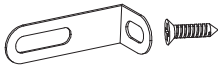
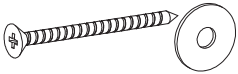
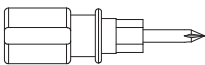
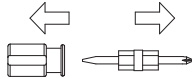


22 x 2

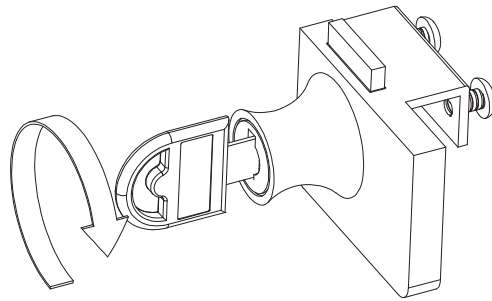


23 x 2

Accessories list

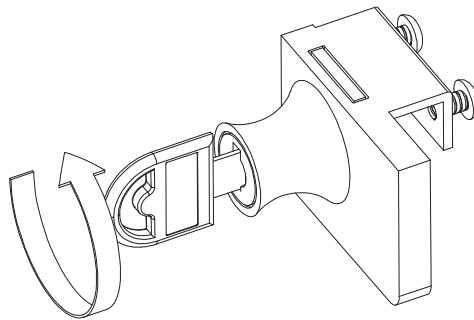
A		Two In One Screw(6x28mm)	54pcs
B		Two In One Nut(10x12mm)	54pcs
C		corner brace fastener Screw (3.5x12mm)	2-8pcs
D		Foot rubber pad	6pcs
E		corner brace fastener Screw (M4x8)	12pcs
E		Screw (M4x8)	12-12pcs
F		Lock	1pcs
G		Rebound device & Screw(3x16mm)	2-8pcs
G		hinge	4pcs
G		Iron sheet	4pcs
H		corner brace fastener Screw 3.5X10mm)	2-2pcs
K		expanded rubber tube	2pcs
K		Anti Fall Hardware Screw (3.5x14mm)	2-2pcs
K		Screw (4x45mm)	2-4pcs
 1pcs  			
Double-head screwdriver, use as required			

Locking Operation



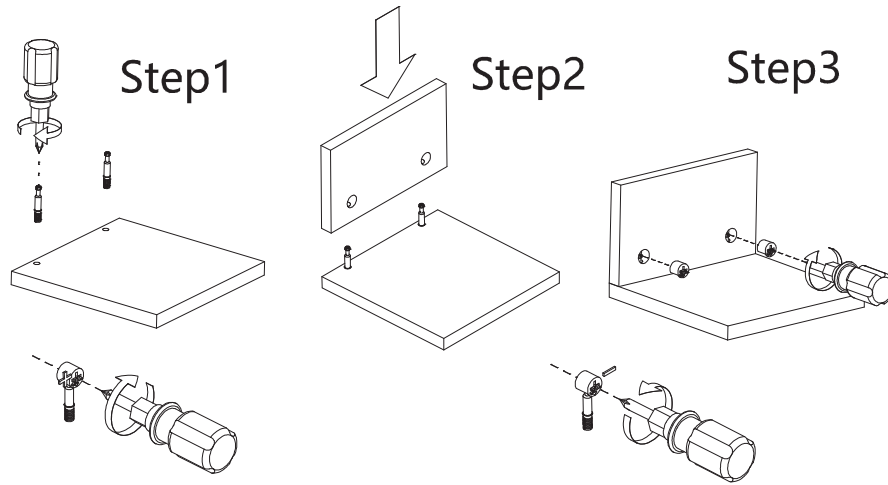
Turn the key clockwise →
The lock core extends →
Lock the door.

Unlocking Operation:



Turn the key counterclockwise →
The lock core retracts to its original position →
Open the door


Use parts ① and ②

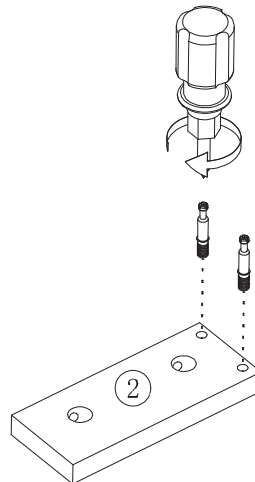
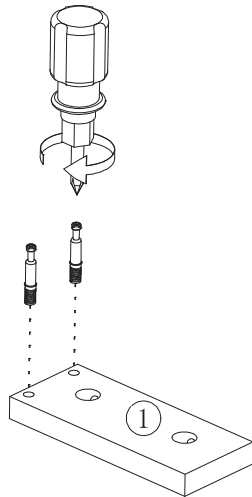


Use a screwdriver to lock in the direction of the "+" sign

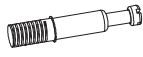
Disassemble along the direction of "-" sign

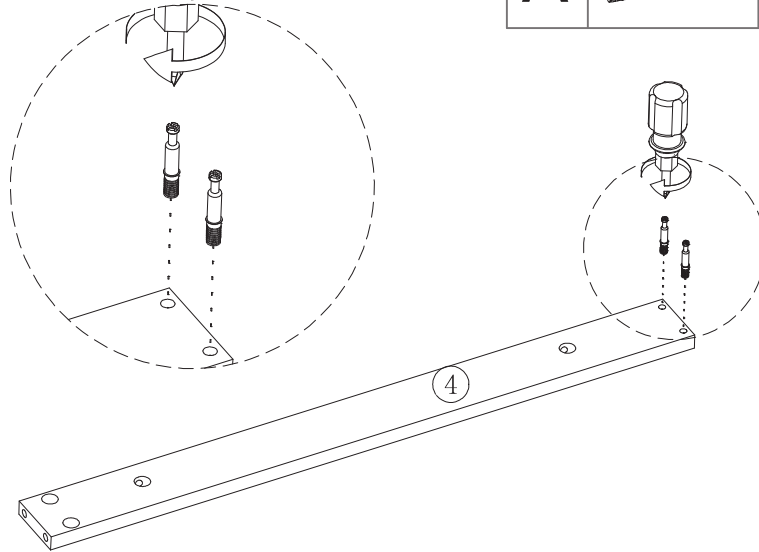
Step 1

code	Diagram	count
A		4




Step2

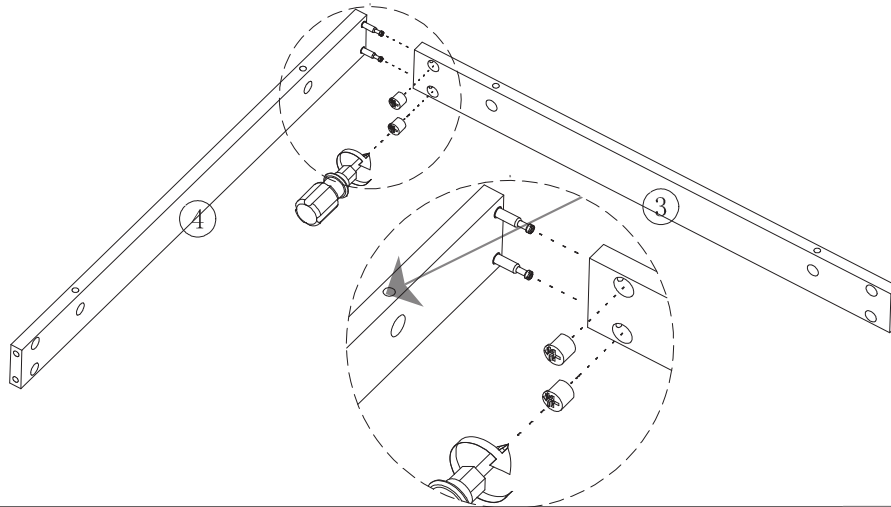
code	Diagram	count
A		2




Step3

code	Diagram	count
B		2

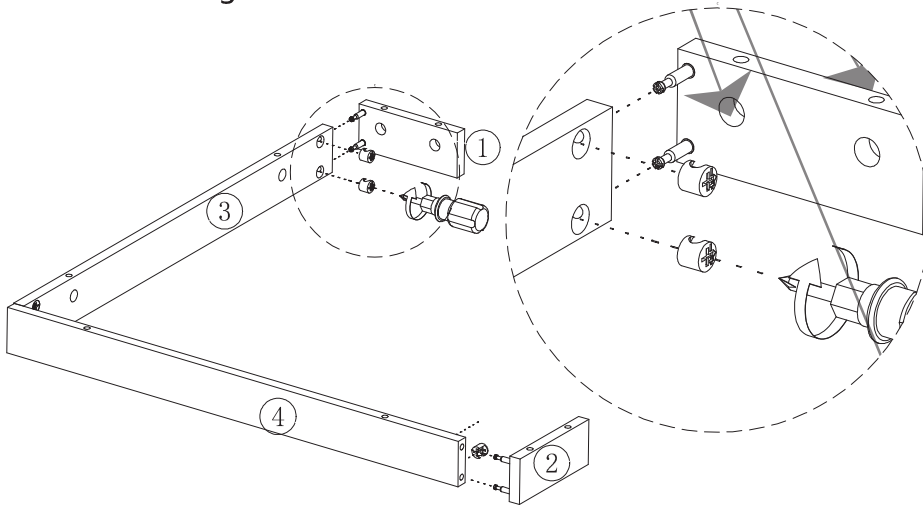
All holes are aligned in the same direction.




Step4

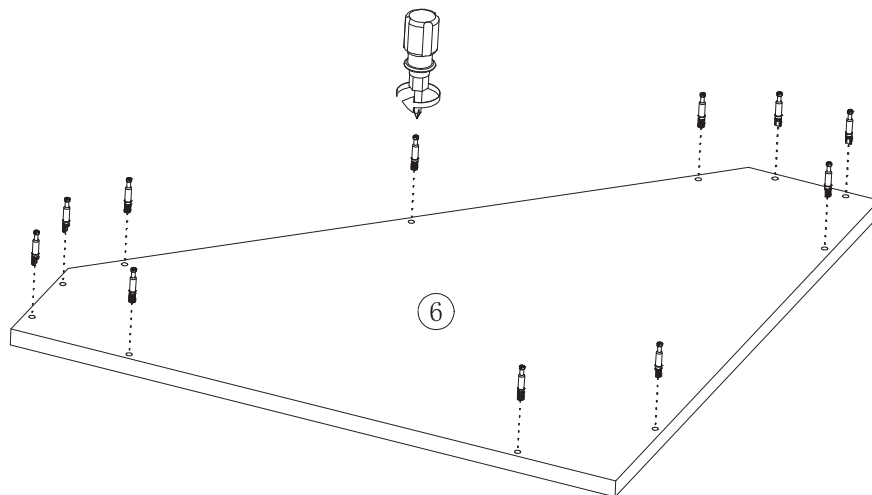
code	Diagram	count
B		4

All holes are aligned in the same direction.




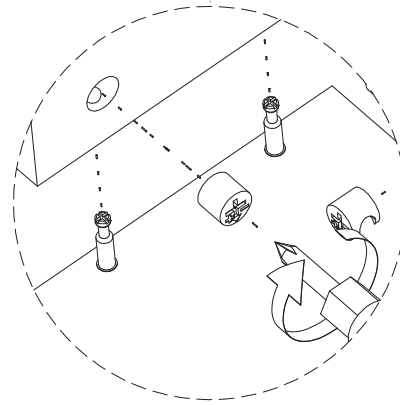
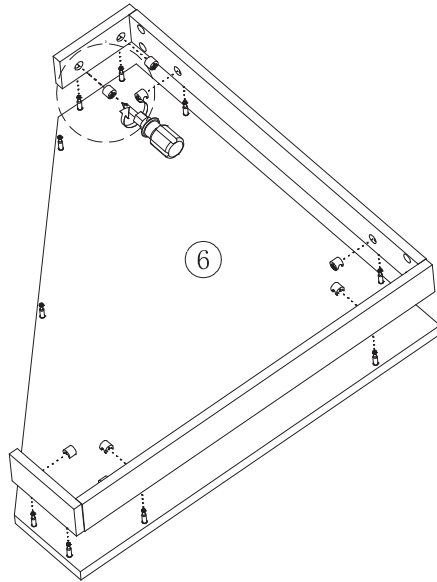
Step5

code	Diagram	count
A		11




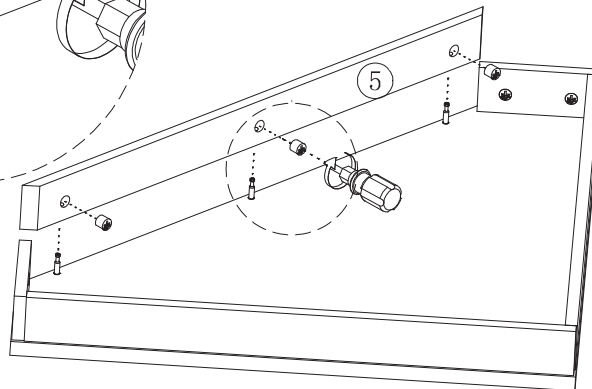
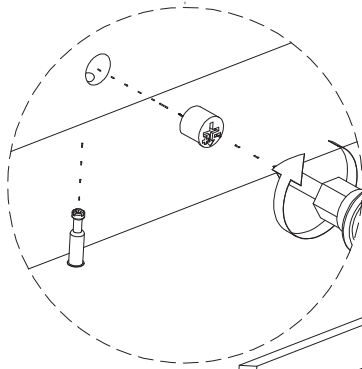
Step6

code	Diagram	count
B		8

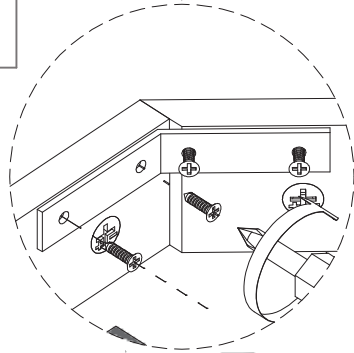


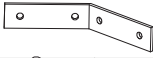


Step7

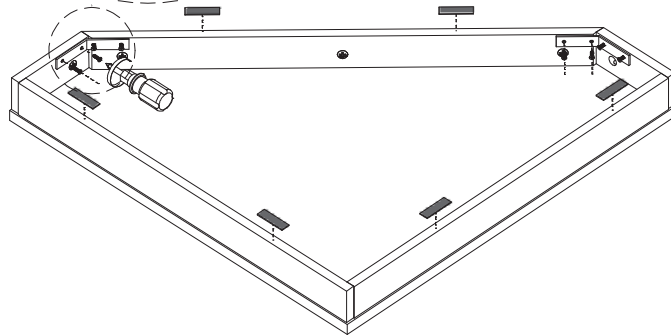
code	Diagram	count
B		3



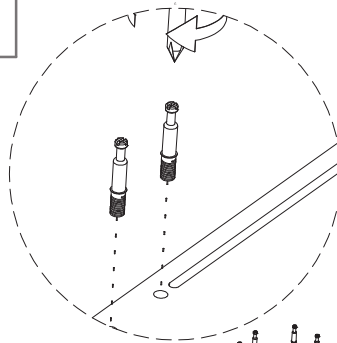
Step8




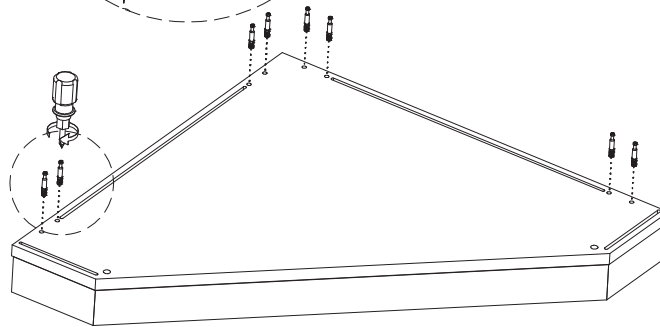
code	Diagram	count
C		2
C	 3.5X12mm	8
D		6



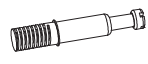


Step9

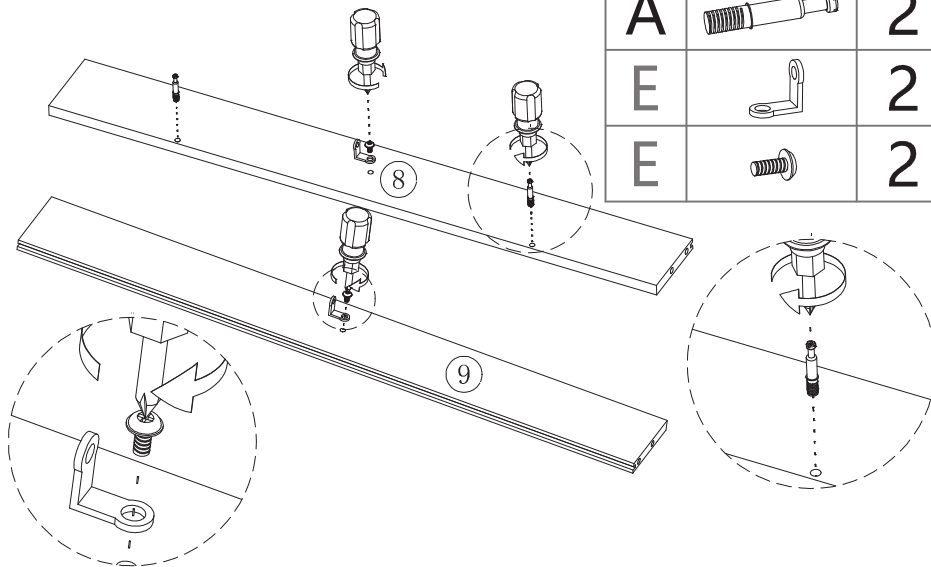


code	Diagram	count
A		8




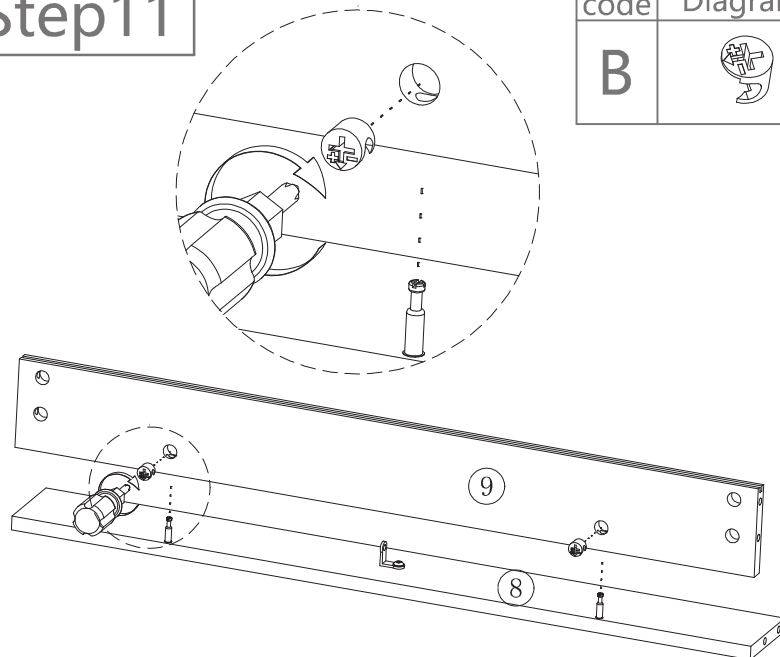
Step10

code	Diagram	count
A		2
E		2
E		2



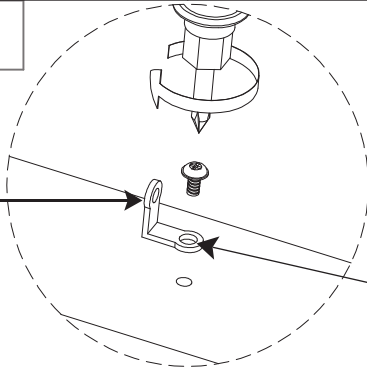
Step11

code	Diagram	count
B		2

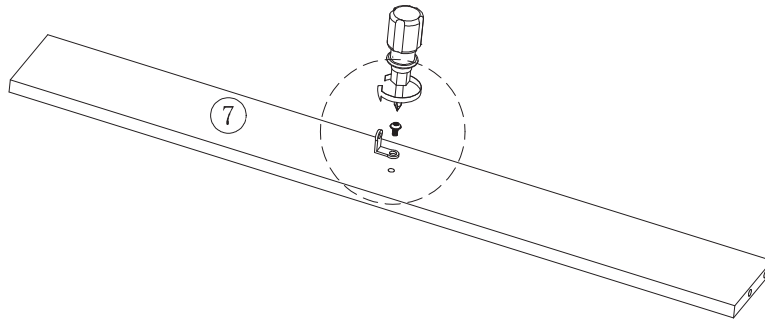


Step12

smaller hole

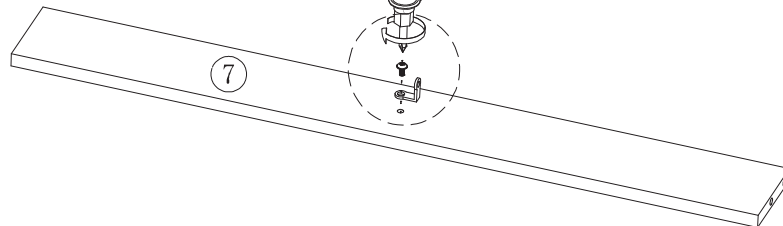
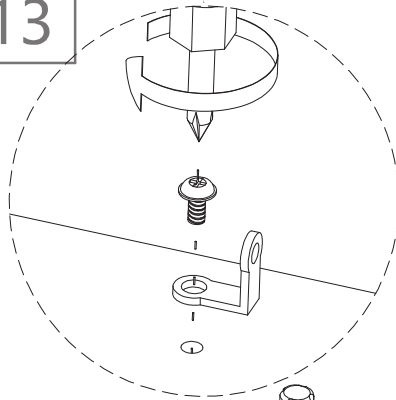


bigger hole




code	Diagram	count
E		1
E		1

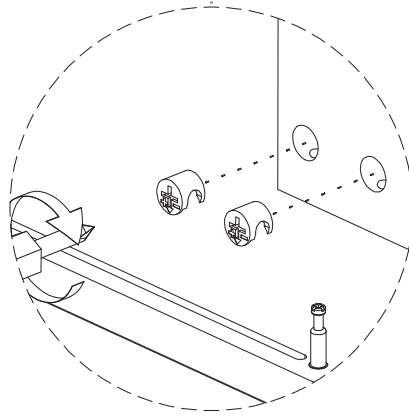
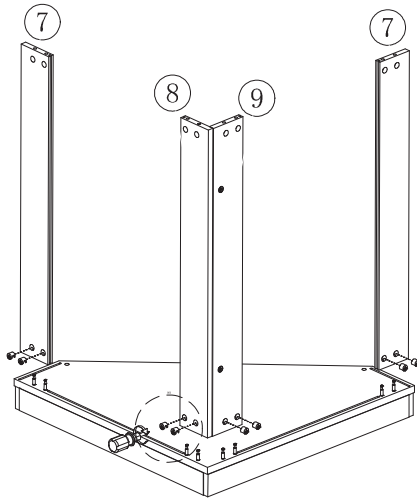
Step13



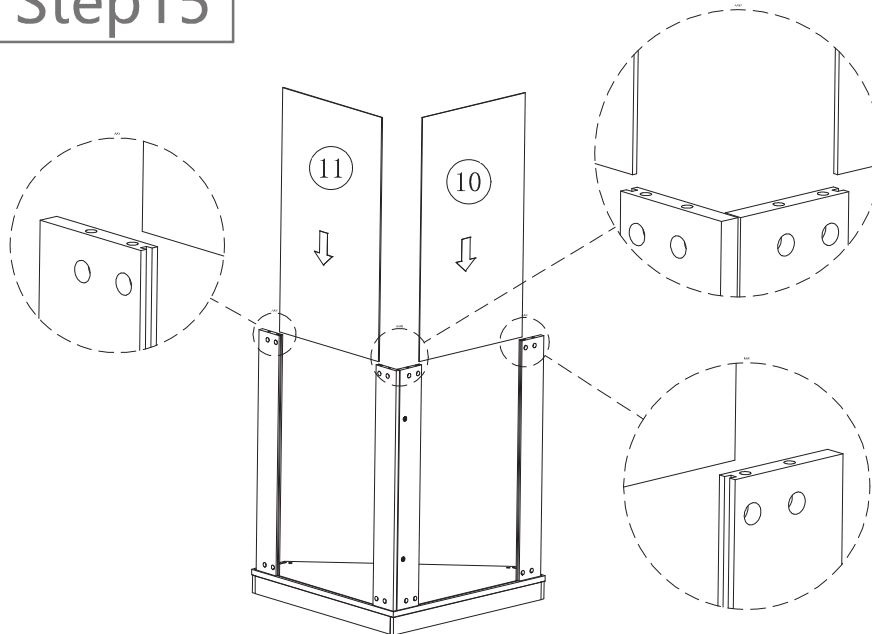
code	Diagram	count
E		1
E		1

Step14

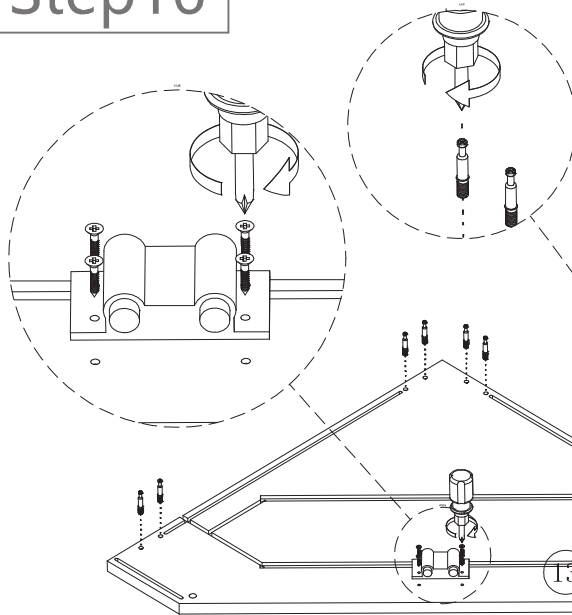
code	Diagram	count
B		8


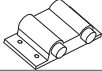



Step15



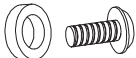
Step16

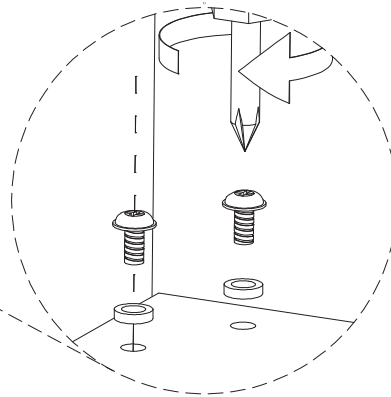
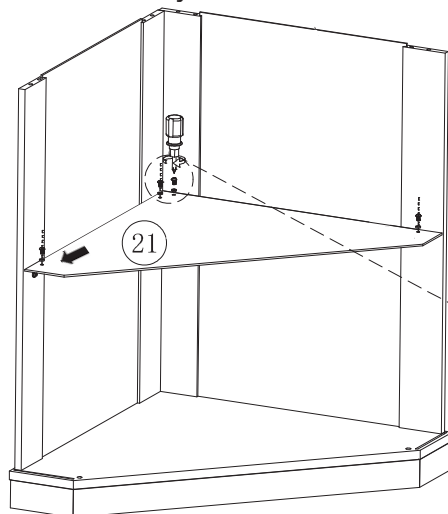


code	Diagram	count
A		8
G		1
G		4

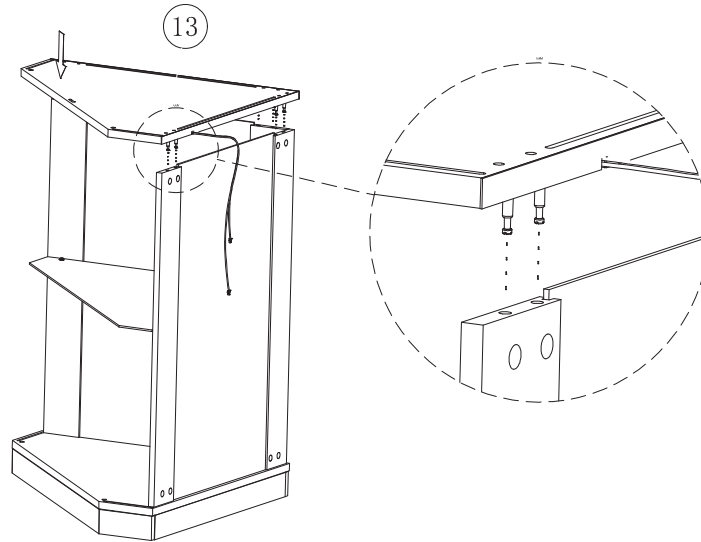
Step17

The installation direction of the glass, as indicated by the arrow.

code	Diagram	count
E	 M4X8mm	4

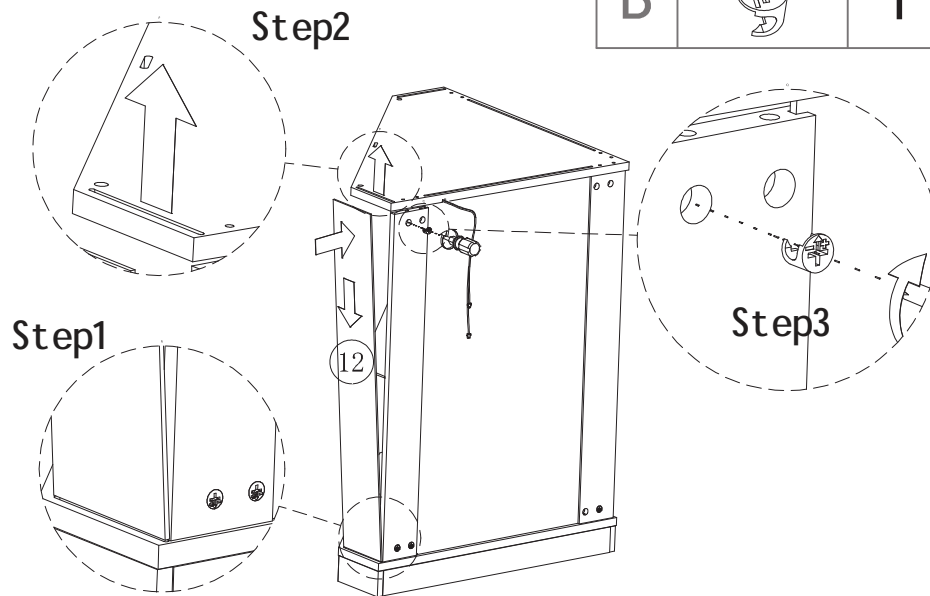


Step18

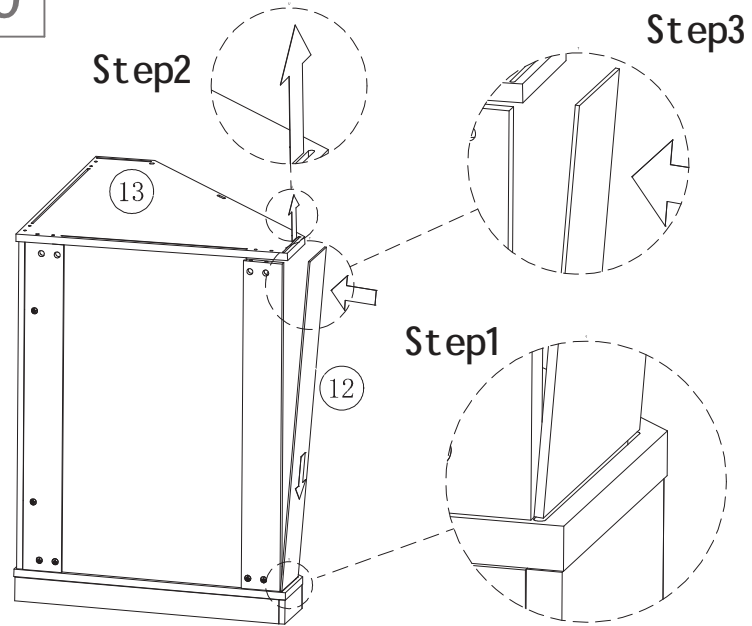


Step19

code	Diagram	count
B		1

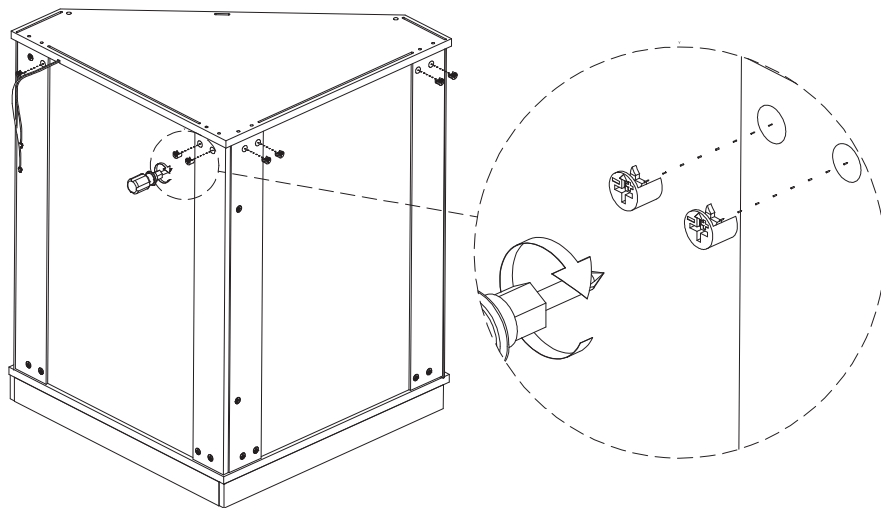


Step20

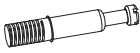


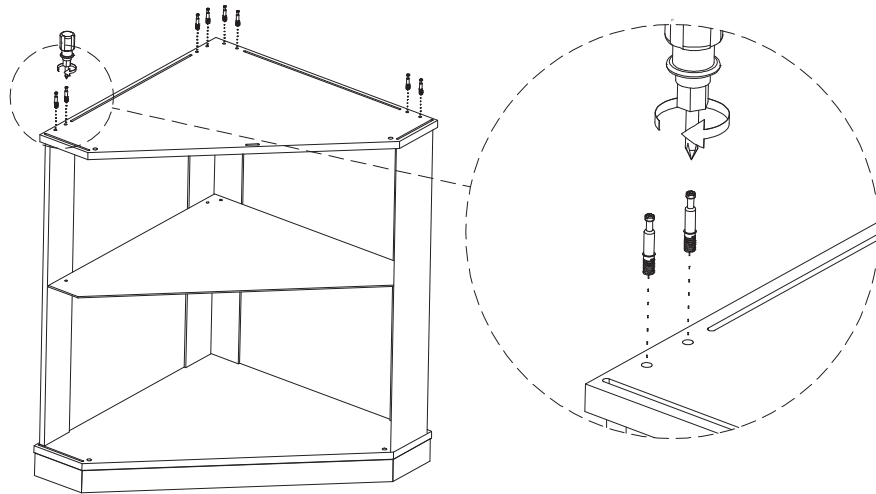
Step21

code	Diagram	count
B		7





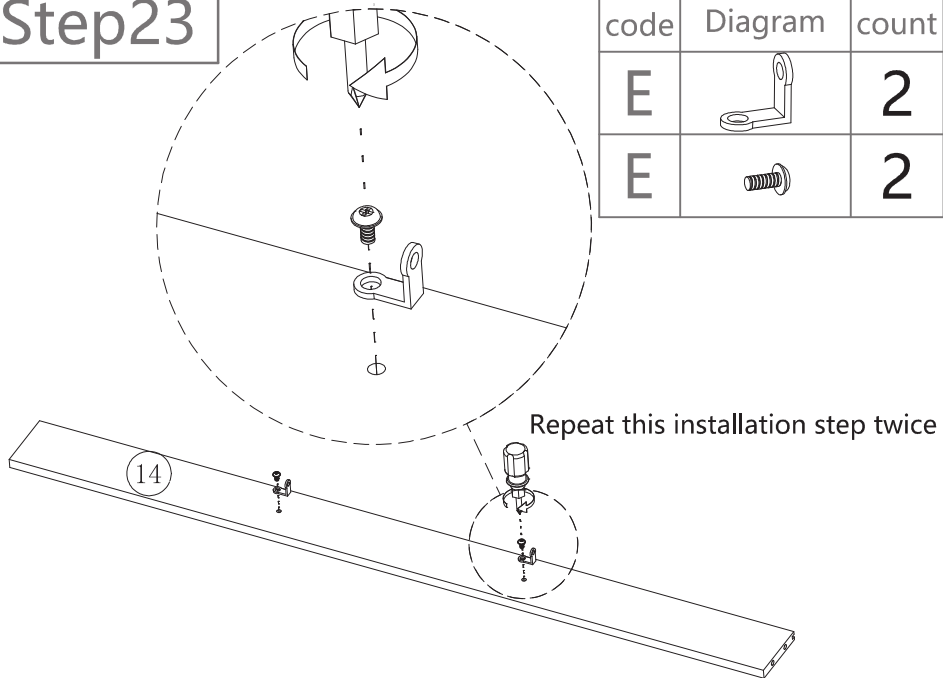
Step22

code	Diagram	count
A		8

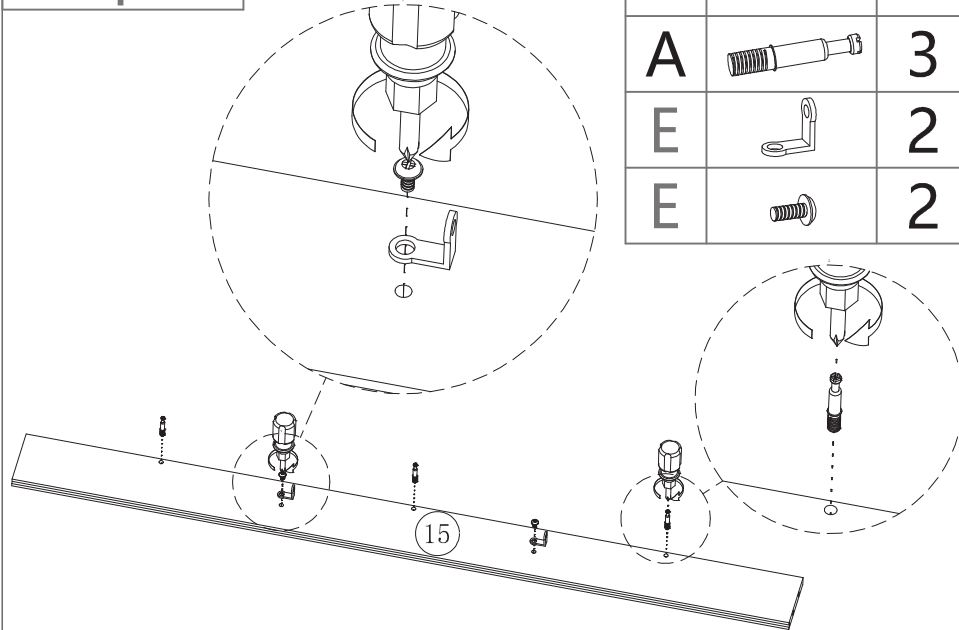





Step23

code	Diagram	count
E		2
E		2

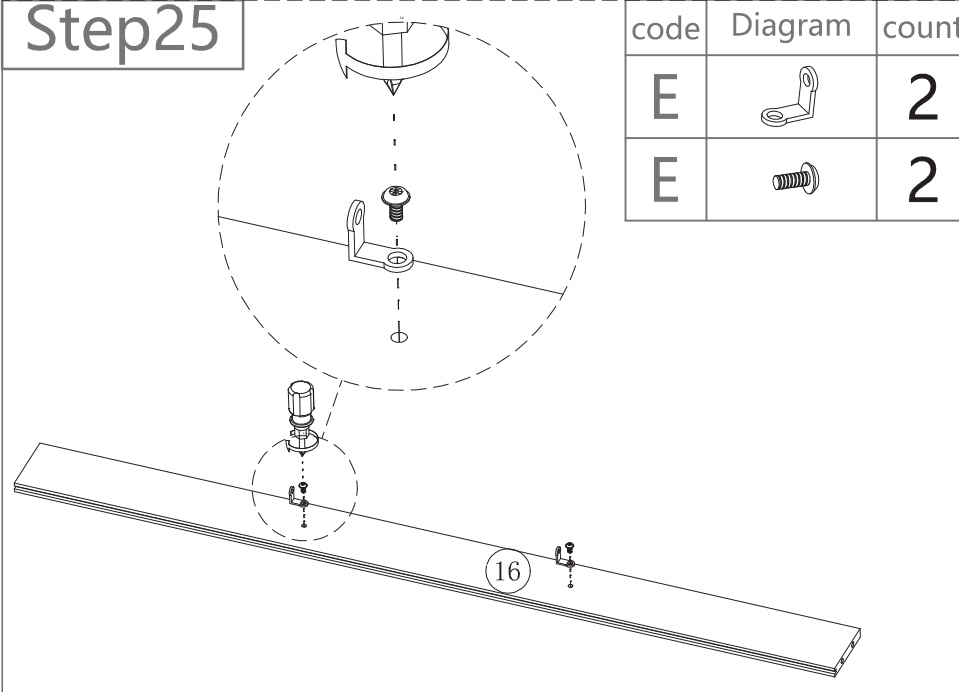




Step24




code	Diagram	count
A		3
E		2
E		2

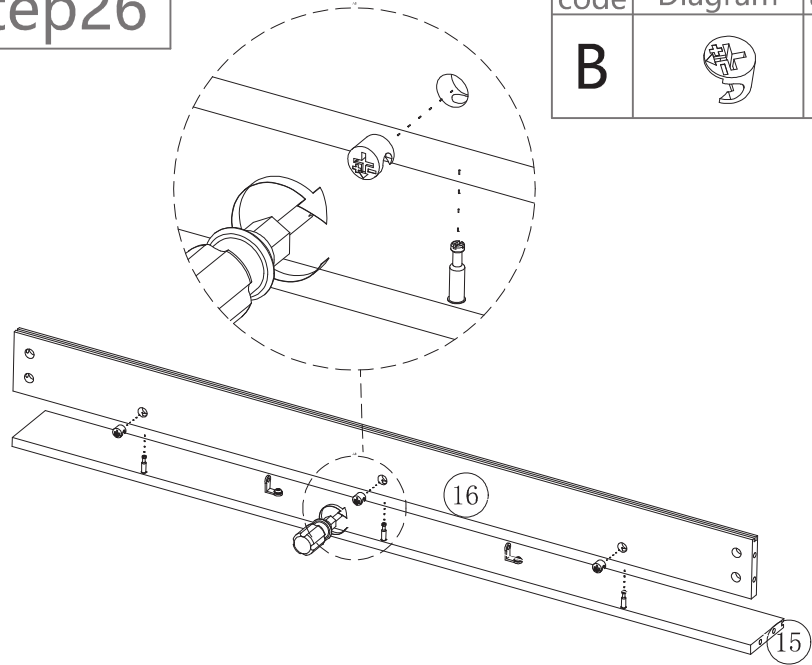
Step25




code	Diagram	count
E		2
E		2

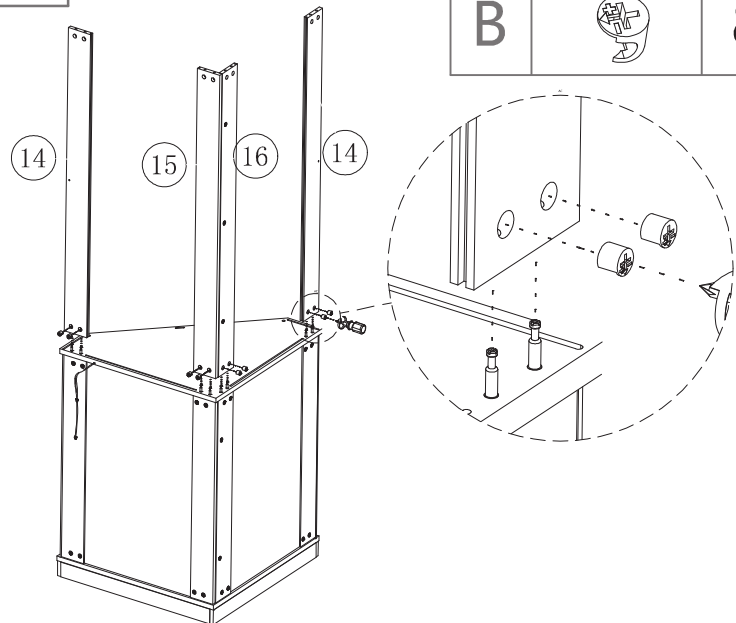
Step26

code	Diagram	count
B		3

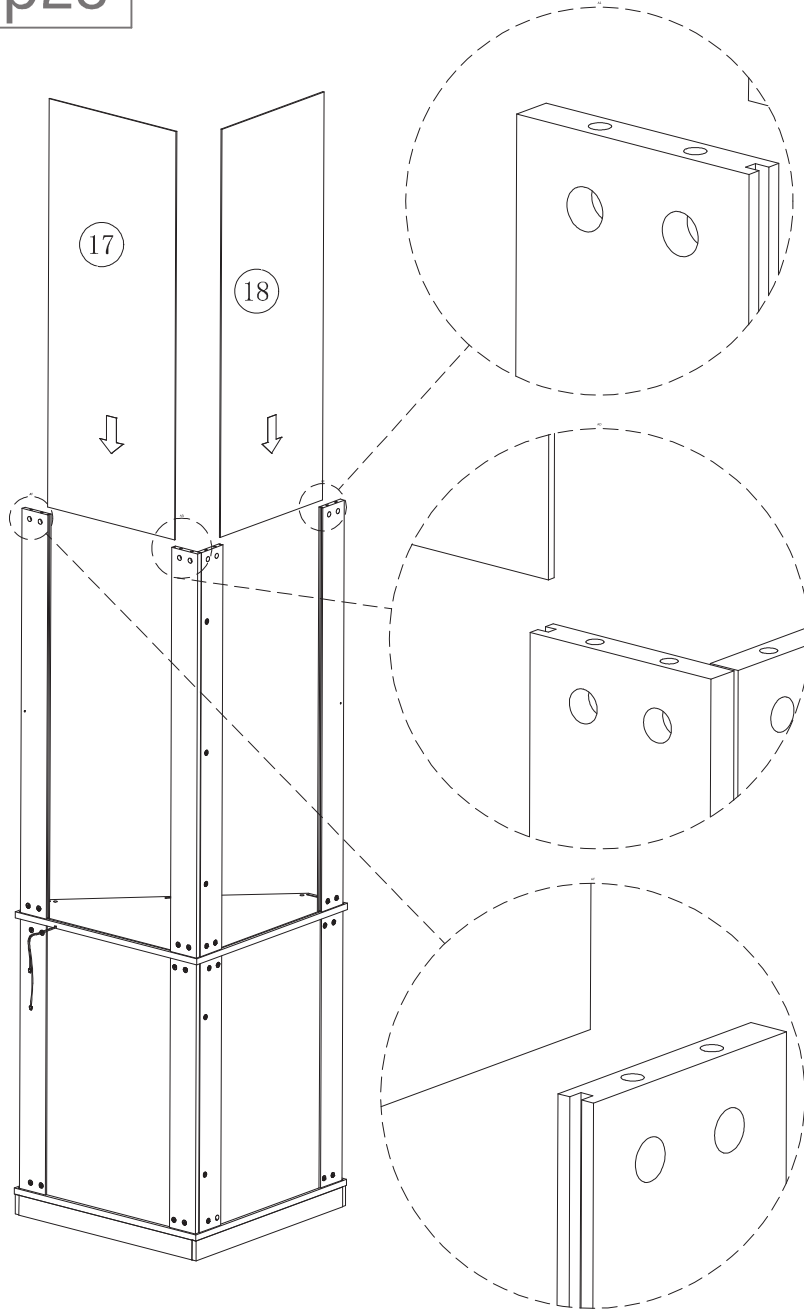


Step27


code	Diagram	count
B		8

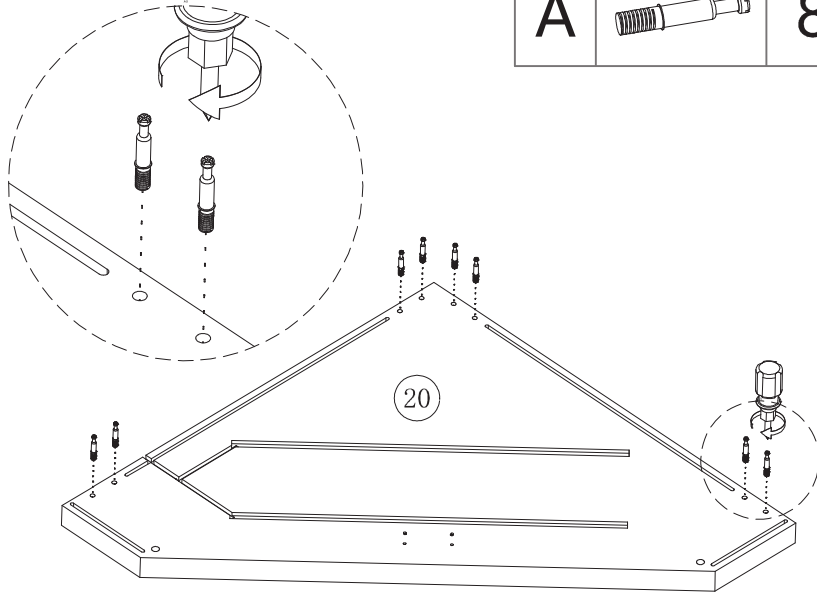


Step28

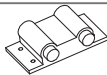



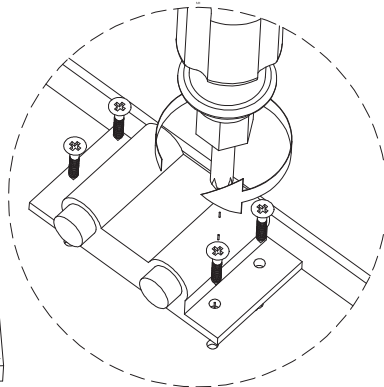
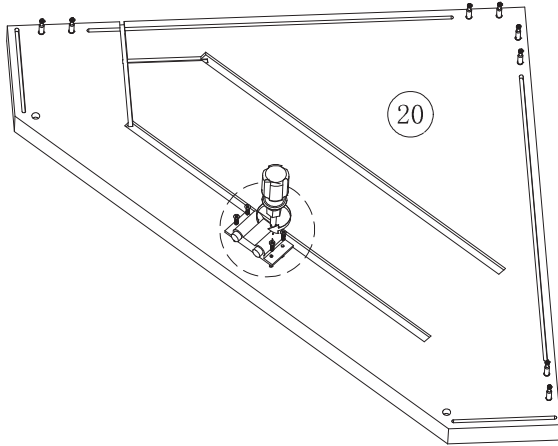
Step29

code	Diagram	count
A		8

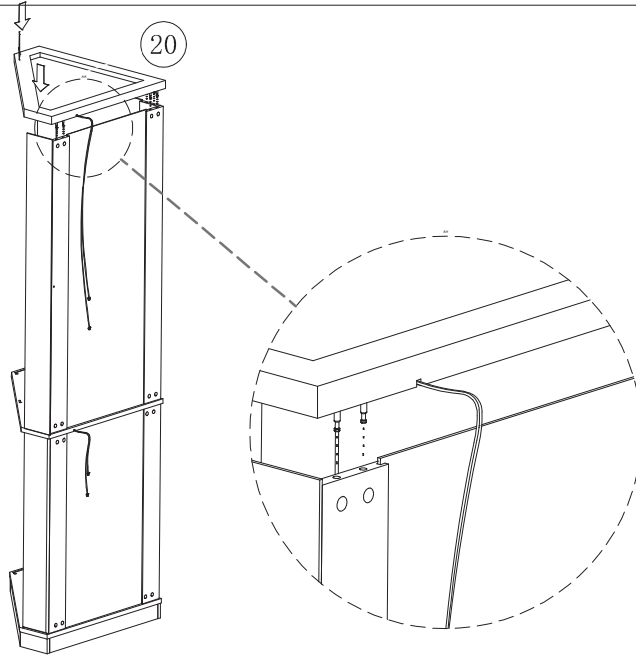


Step30

code	Diagram	count
G		1
G	 3X16mm	4

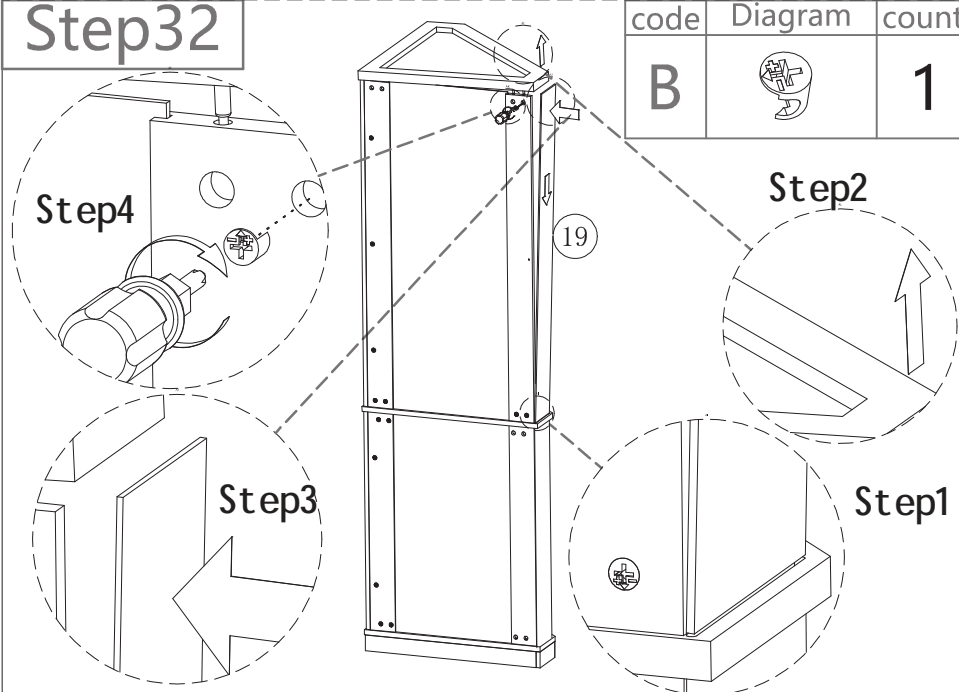


Step31

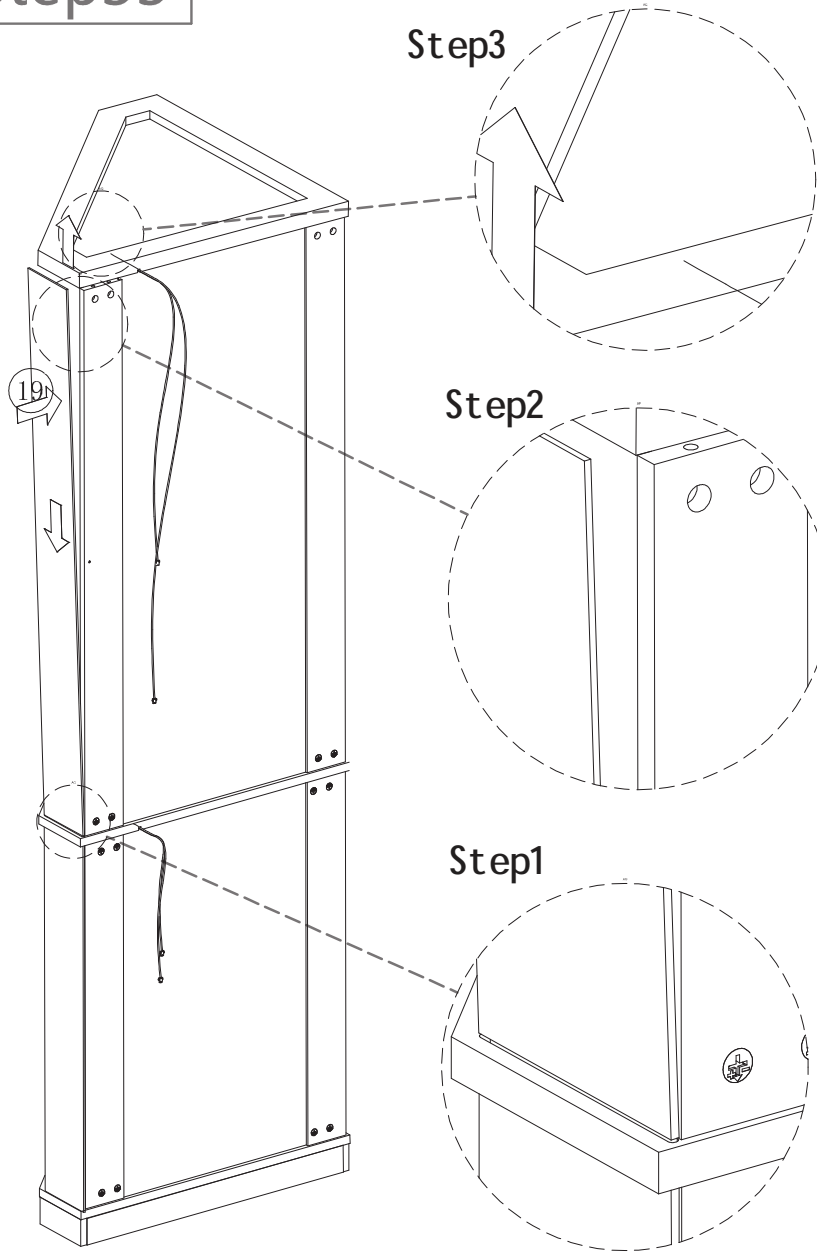


Step32

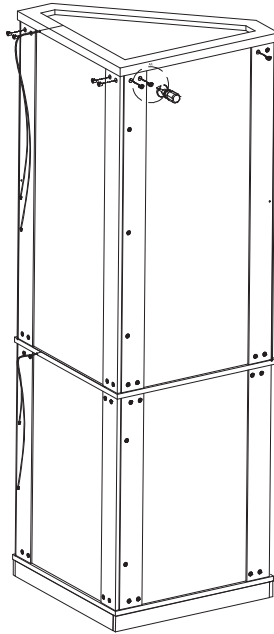
code	Diagram	count
B		1



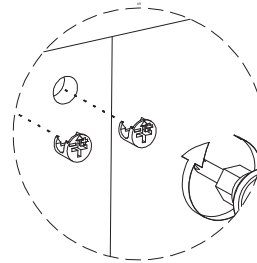
Step33



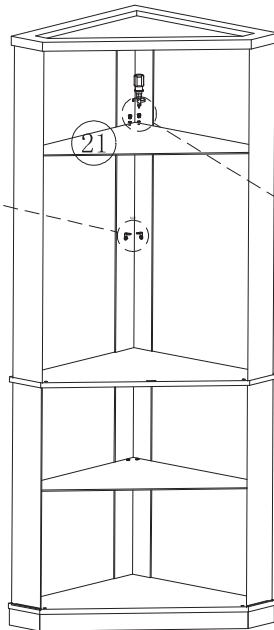
Step34



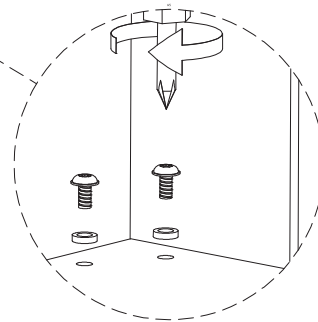
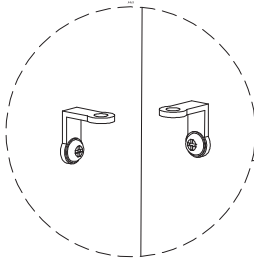
code	Diagram	count
B		7



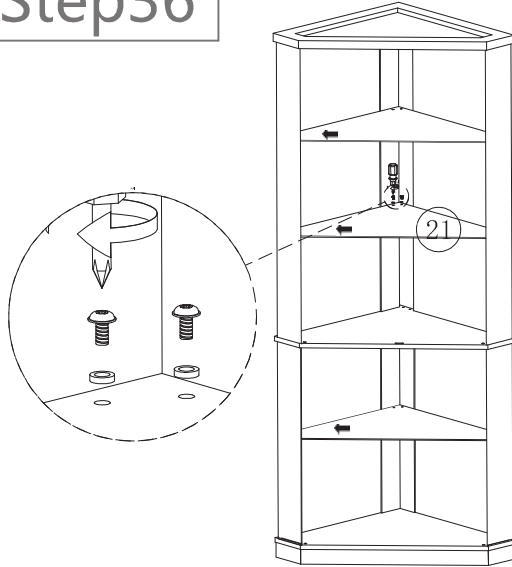
Step35



code	Diagram	count
E		4

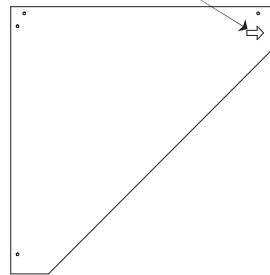


Step36



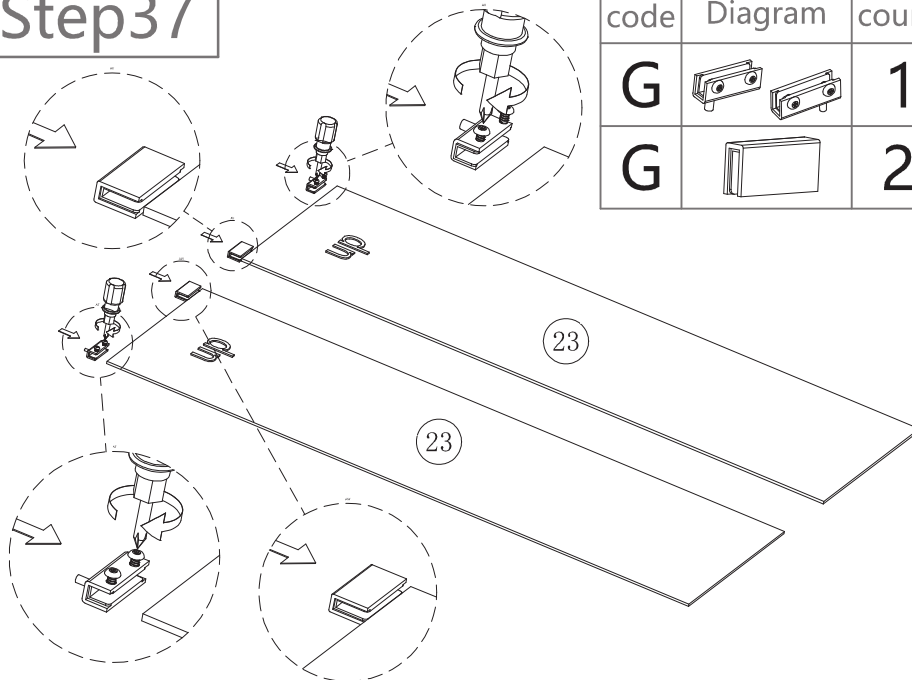
code	Diagram	count
E		4

Install the glass shelf board as indicated by the arrow.



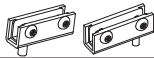

The installation direction of the glass, as indicated by the arrow.

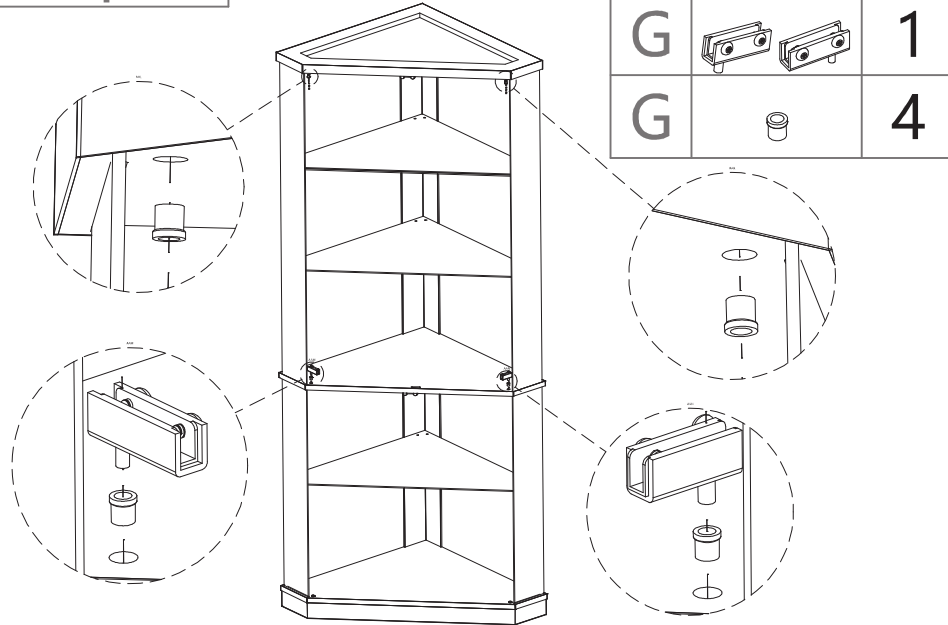
Step37



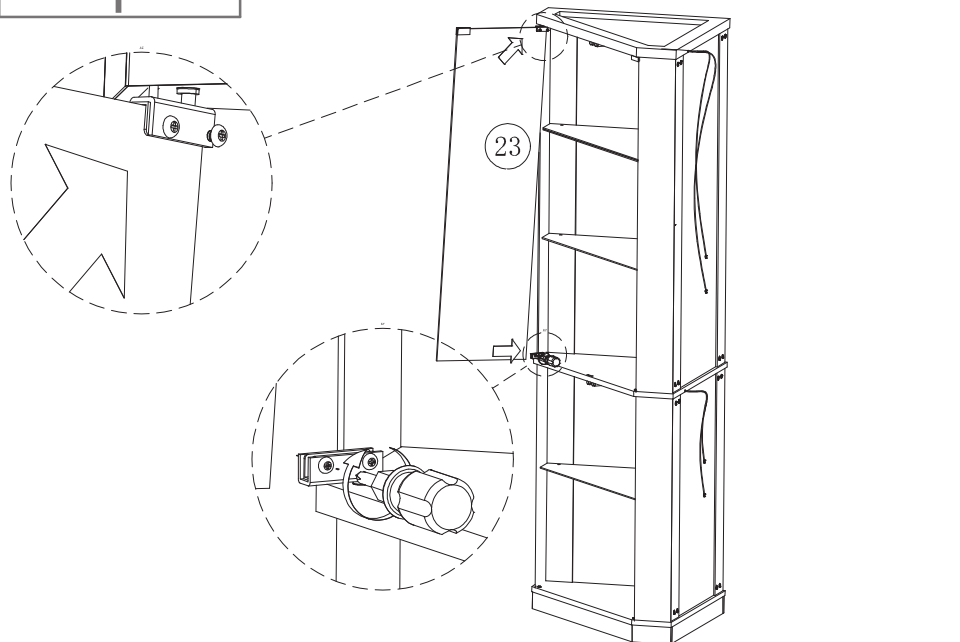
code	Diagram	count
G		1
G		2

Step38

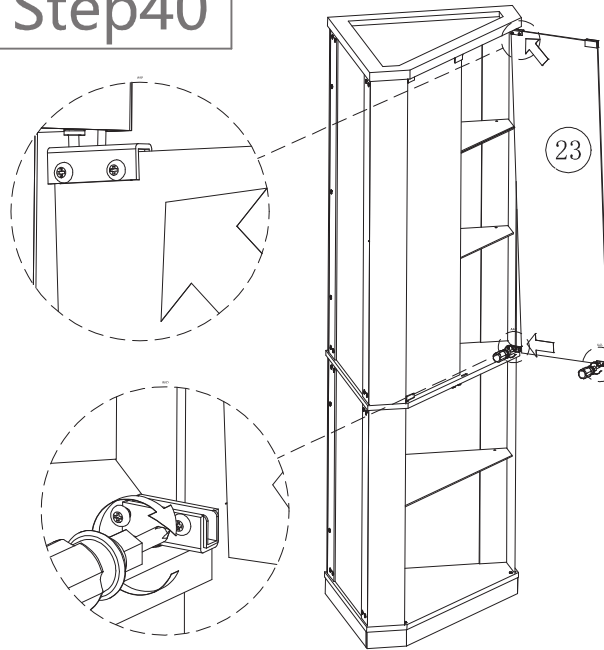
code	Diagram	count
G		1
G		4



Step39

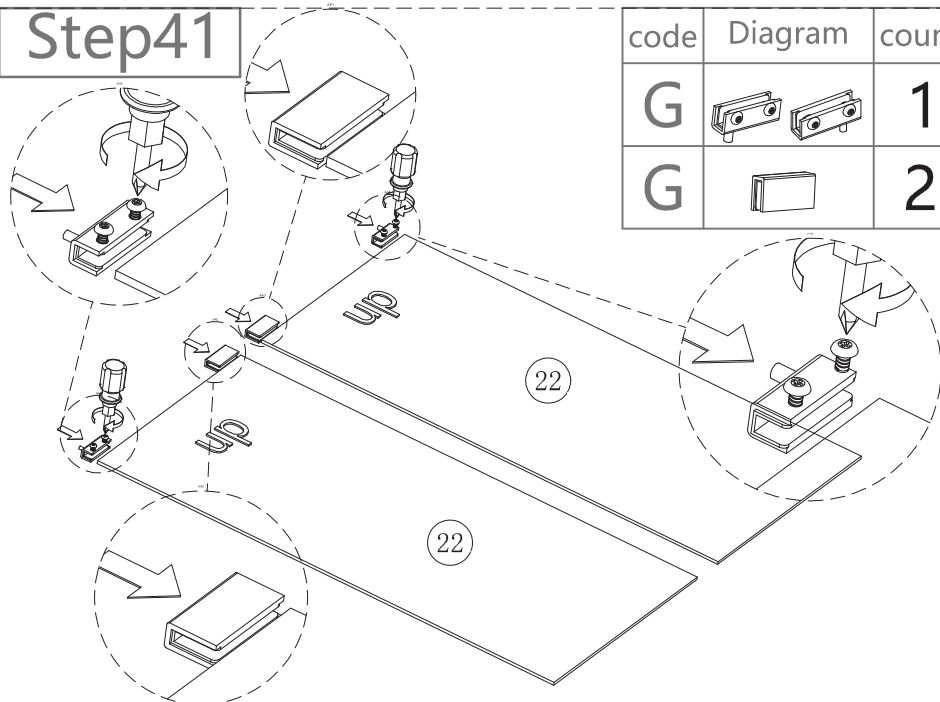


Step40



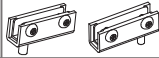

code	Diagram	count
F		1

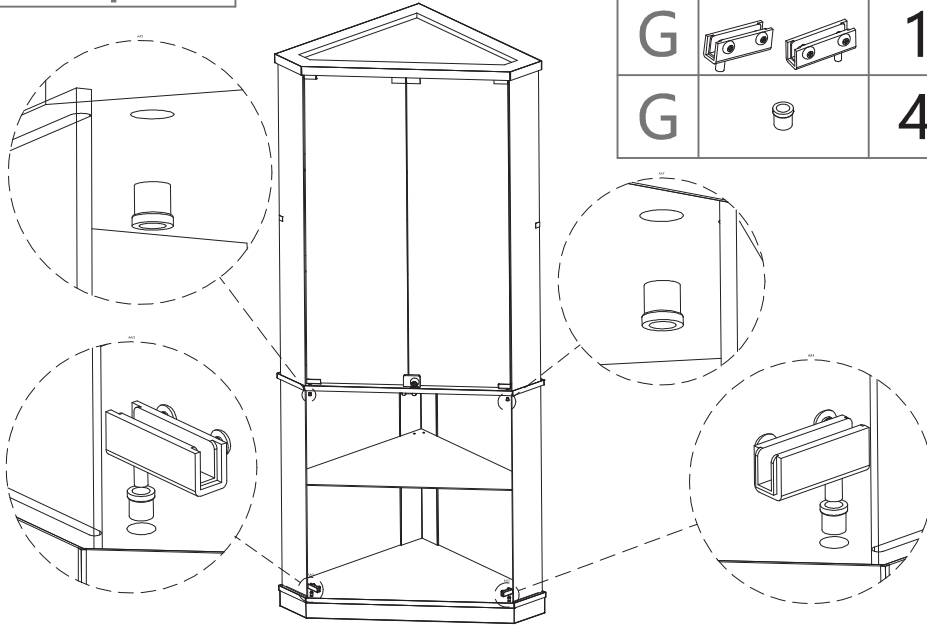
Step41



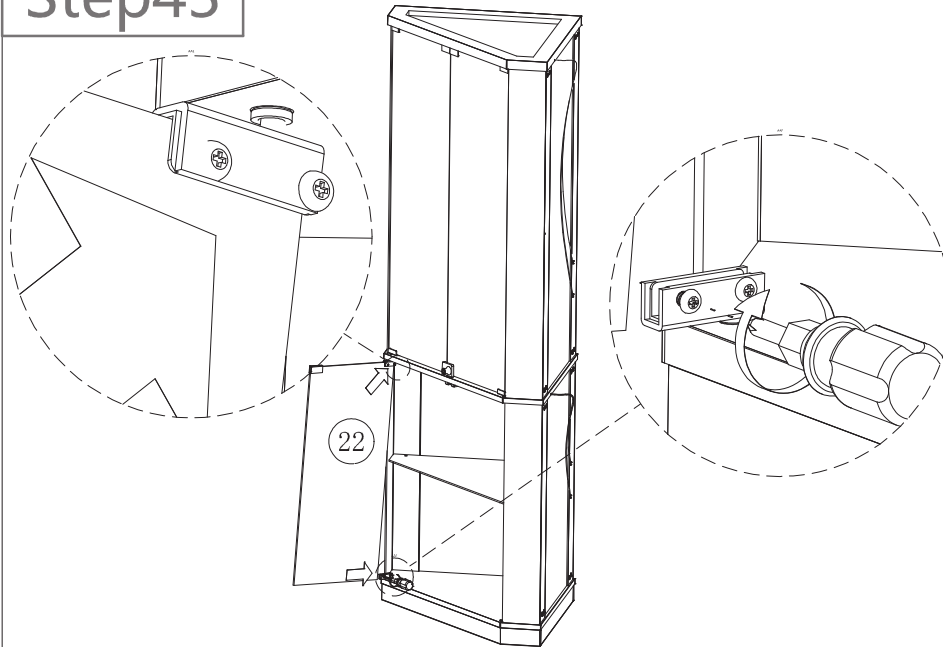
code	Diagram	count
G		1
G		2

Step42

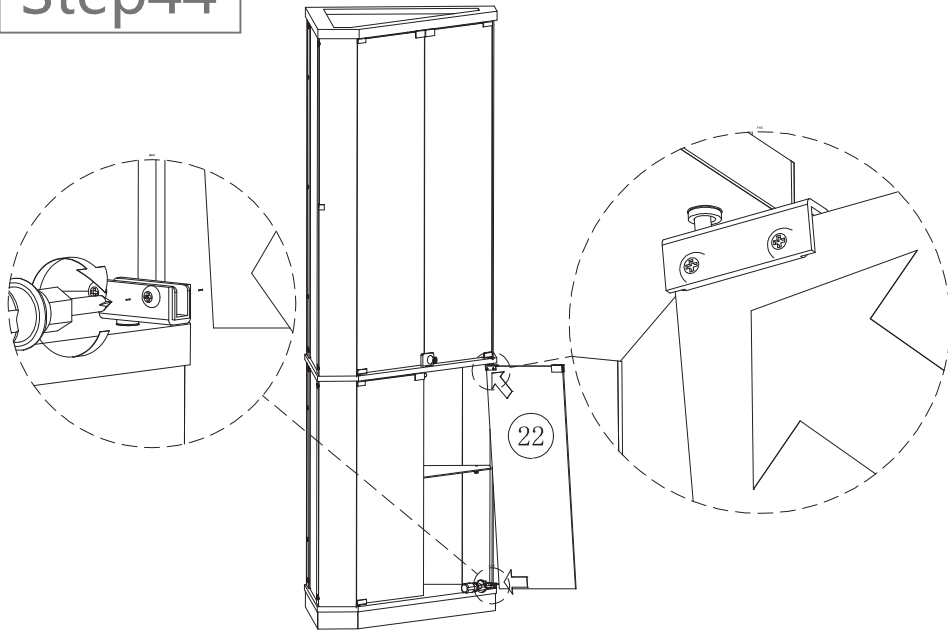
code	Diagram	count
G		1
G		4



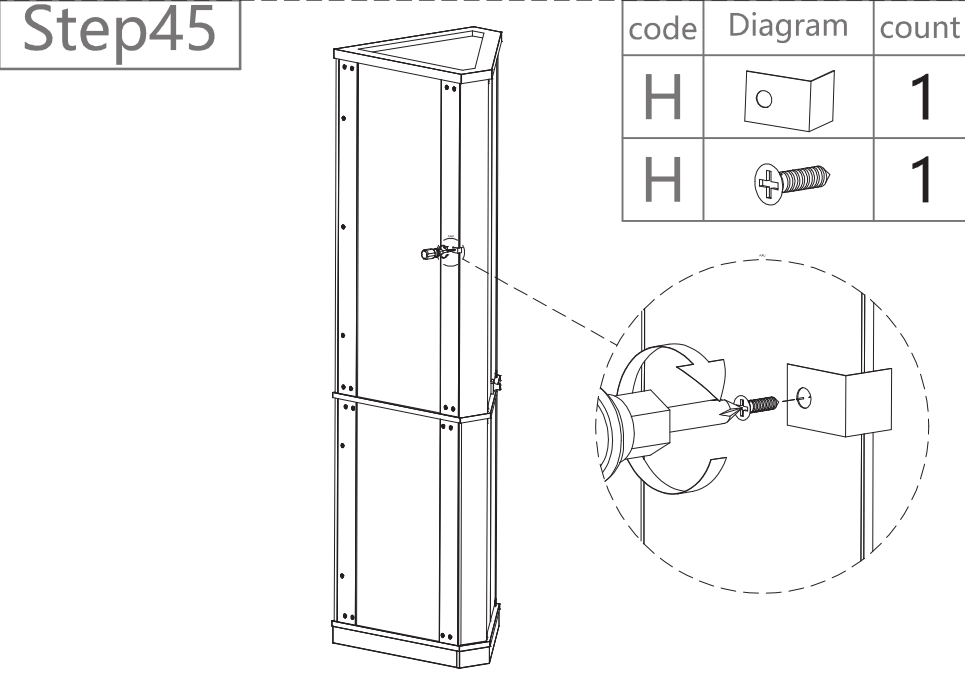
Step43



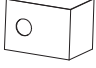

Step44

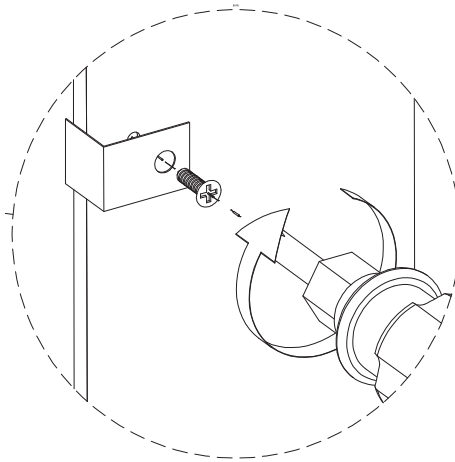
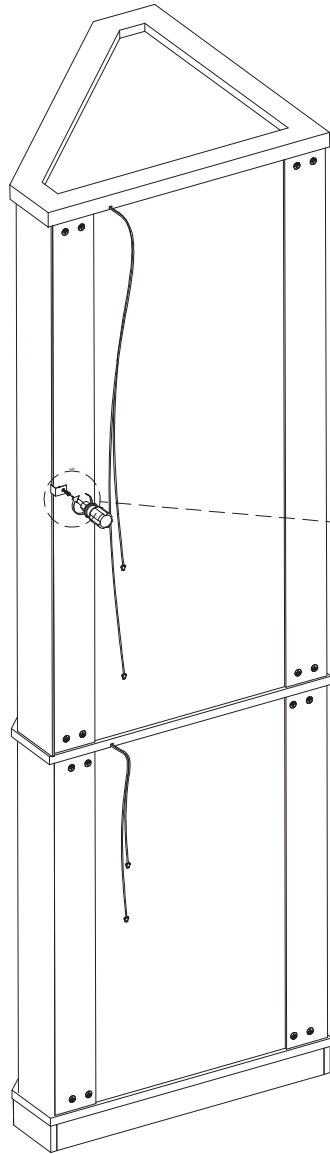


Step45






Step46

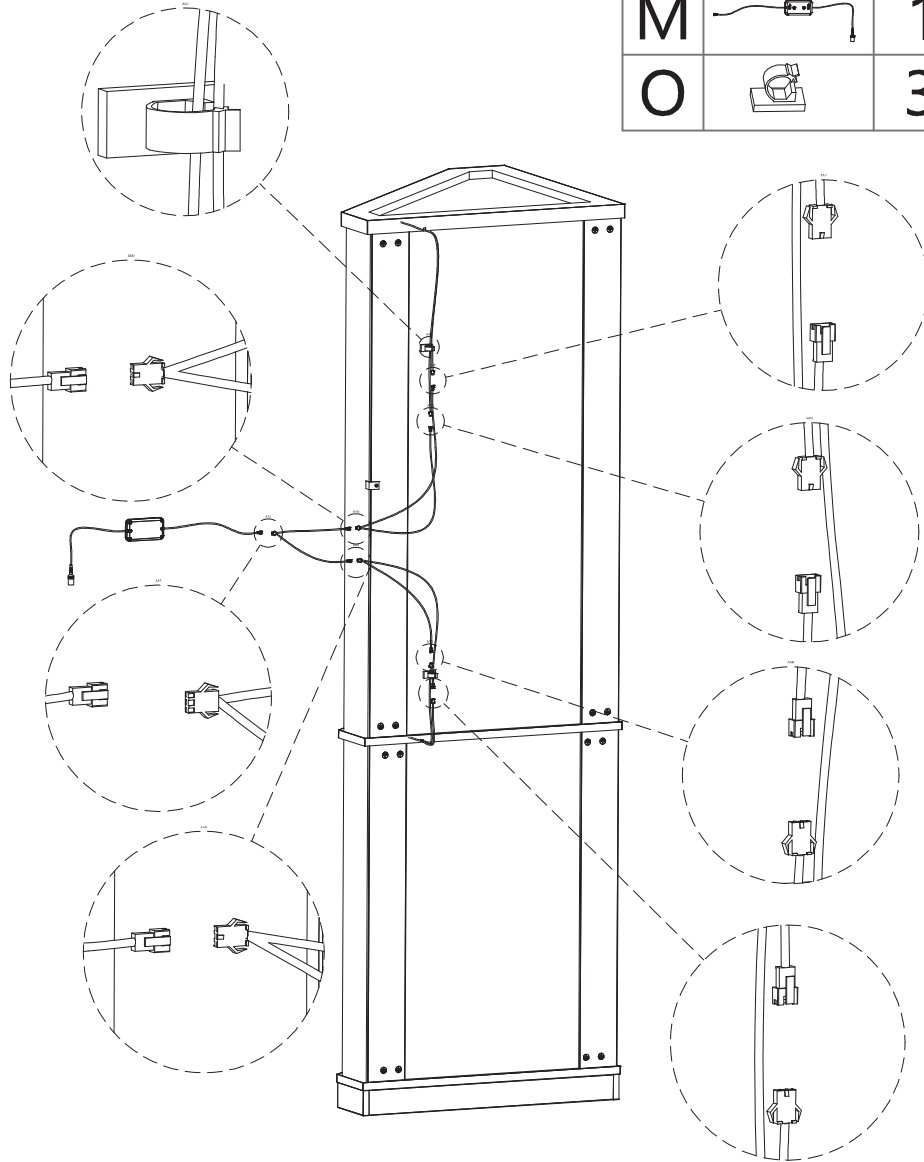
code	Diagram	count
H		1
H		1



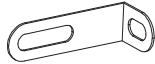

Step47

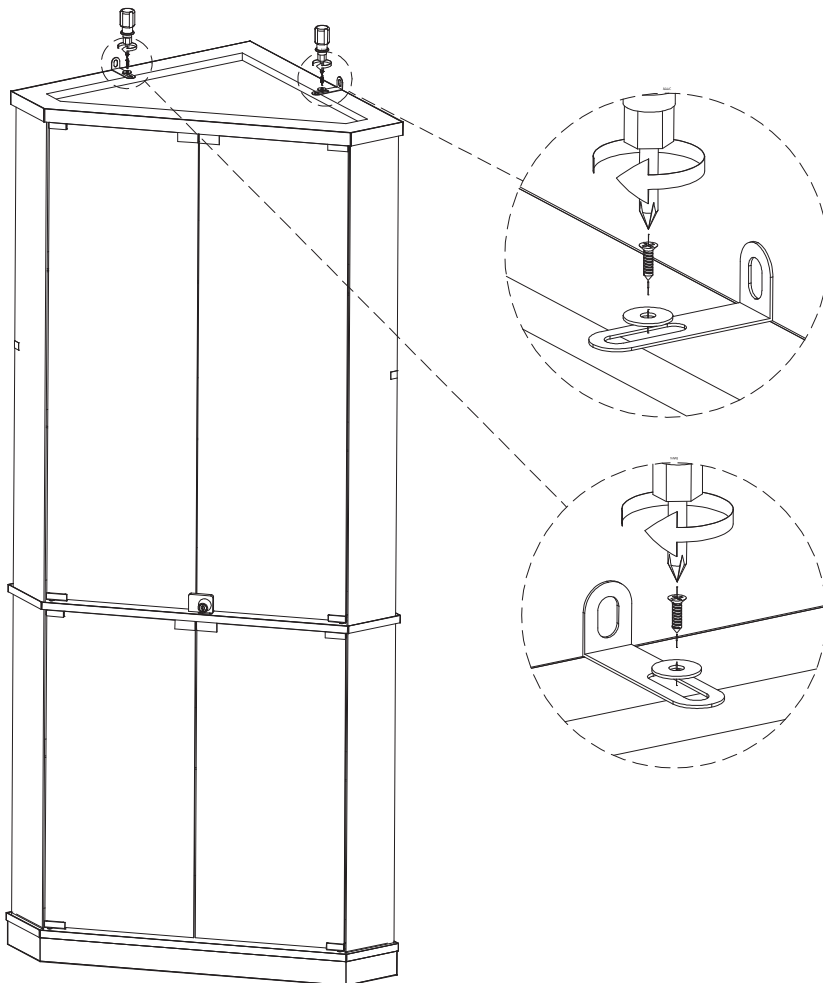
Connect the lamp wires.

code	Diagram	count
L		3
M		1
O		3



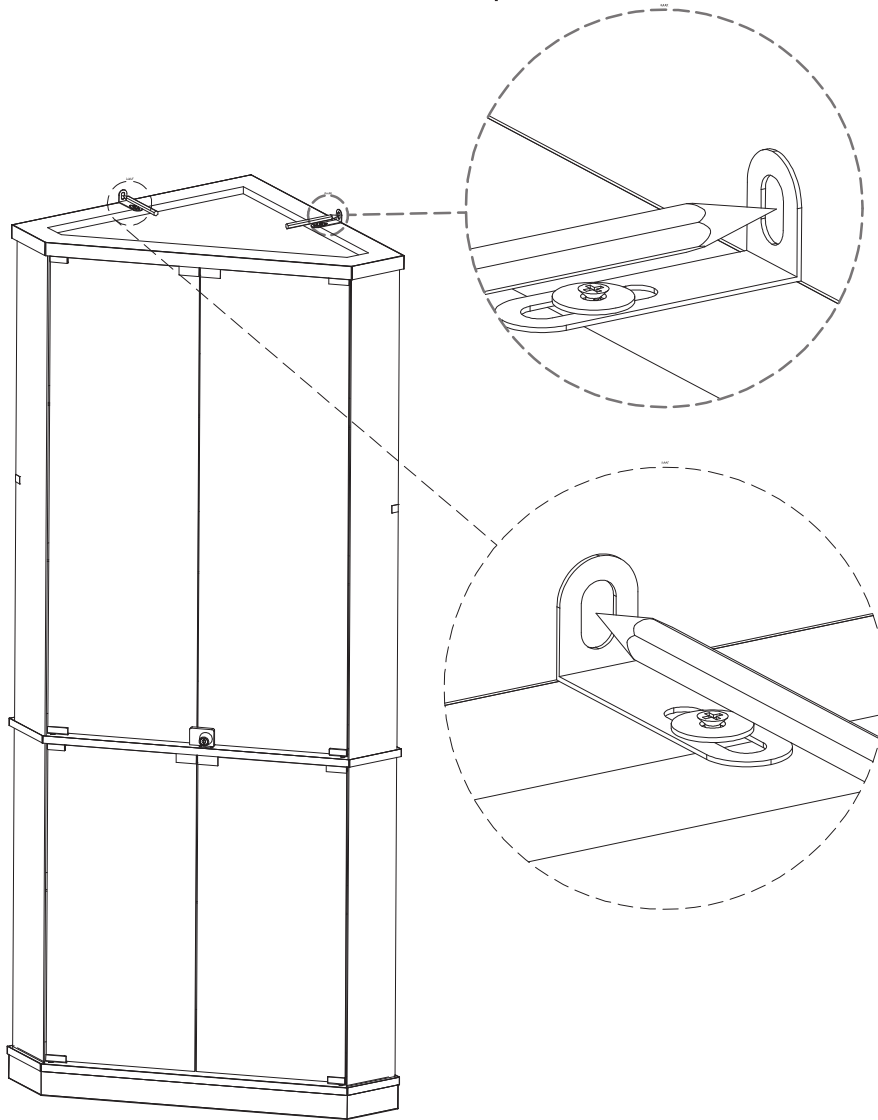
Step48

code	Diagram	count
K		2
K		2

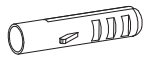


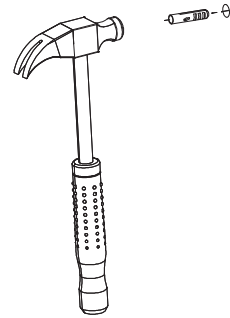
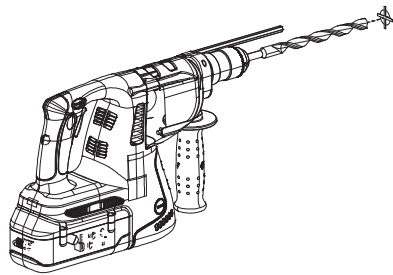
Step49

Mark hole locations with a marker pen



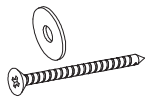
Step50

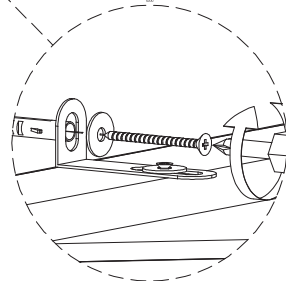
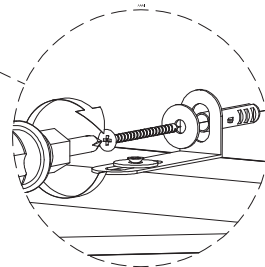
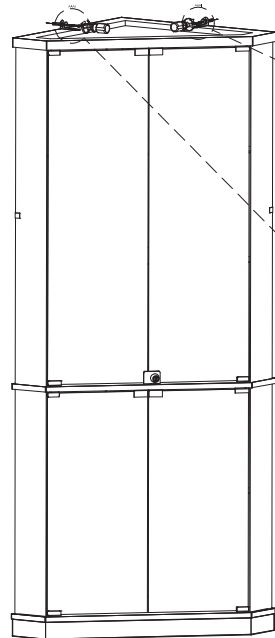
code	Diagram	count
K		2



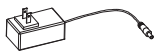
Drill a hole in the wall with an impact drill. Hammer drive in an expansion plug.

Step51

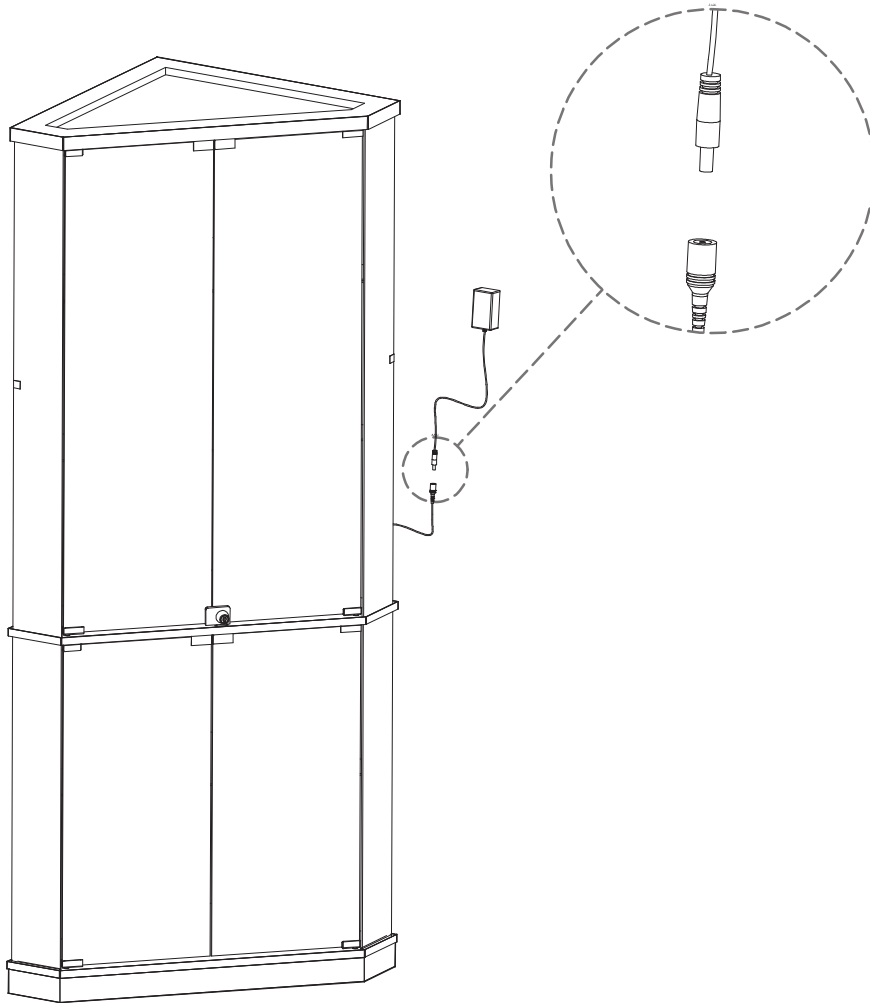
code	Diagram	count
K		2



Step52

code	Diagram	count
N		1

Connect to power





User's Guide

Thank you for purchasing this product.

To use this product, please plug it into a 12V DC power supply.

Please use if the product works normally after connecting to power.

Introduction

The box is an intelligent controller. With 4 touch buttons, it can turn ON/OFF the light and turn ON/OFF the induction function, change light colors, and adjust the light luminance.

Operation



This touch button is the master switch of the smart box,

which can turn off all functions of the box and control the light strips on/off operation.

The operation that can be turned on and off with just a light tap. Press and hold to adjust the brightness.

Upon first power-up, the default light will be set to white.



This touch button is used to turn on/off the induction function.

A. touch this button once to turn on the induction function (indicator light on).

After the person leaves or remains stationary for more than 30 seconds, the light strip goes out; people and objects within a range of 1 meters move will light up the light strip.

B. Long press this button for 0.5 seconds to turn off the human body induction function (the indicator light goes out).

At this point, keep the light strip as it was before turning off and no longer be affected by human and object activities.

By default, induction function is enabled when powered on.



This touch button is the Dynamic Phantom Color Mode, which includes 5 magical lighting effects.

Simply tap to cycle through the options. (Attention: This mode cannot adjust the brightness)

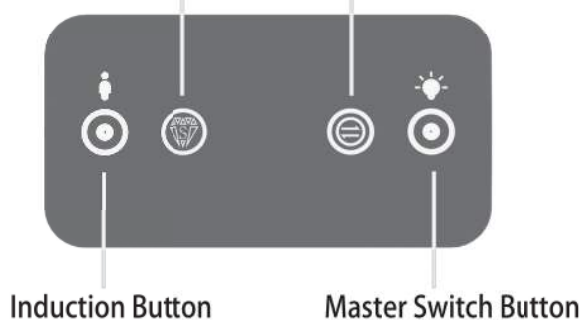


This touch button controls the single-color switching function of the light strips,

offering 7 different colors to choose from.

Phantom Color Mode Button

7-Color Mode Button



ATTENTION PLEASE

1. If there is no touch response suddenly, Re-plug the power to reset the touch static electricity.
2. If you have any questions when installing, please feel free to contact us. Thank you.