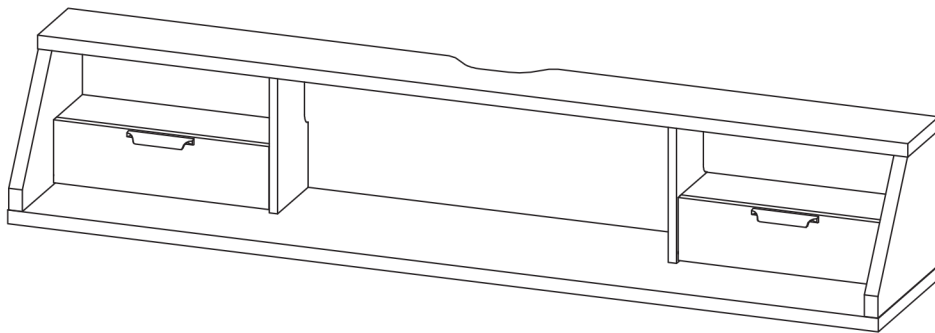


ASSEMBLY INSTRUCTIONS



TOOLS REQUIRED



Hammer

(Not Included)



**Philips
Screwdriver**

(Not Included)



**2 - People
Recommended**

ASSEMBLY RATING



EASY —————> DIFFICULT

The Assembly Rating is a 5-point system showing the level of effort needed to assemble a specific product.



CHECK BEFORE STARTING

Are you missing anything?

Double-check all parts, hardware and accessories listed are all accounted for.

Should we send any replacements?

Are there any irregularities or flaws in the parts? We can send replacements!

Check out our Quick Tips!

We recommend reviewing the pre-assembly handouts. Even experts need a refresher now and then!

Prep Time!

Please review the assembly instructions and all diagrams prior to assembling. Arrange parts as recommended on Page 7 and group identical hardware together to make assembling easier.

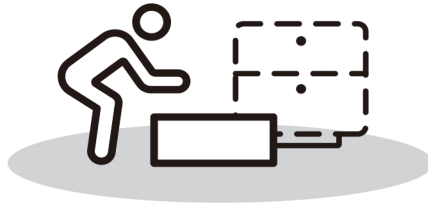
PRE ASSEMBLY INTRODUCTION

We understand building ready-to-assemble furniture can be a challenging experience for some. To help avoid confusion, we have provided some helpful tips that may speed up the process.



Teamwork

ALWAYS have at least two people to help with transporting and assembling the product to avoid potential injury and/or damage.



Suitable Location

Assembling near the area of the intended location is highly recommended.



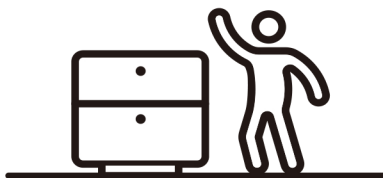
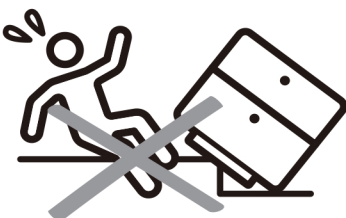
Sufficient Space

Make sure you have enough space to move around during the assembly.



Avoid Scratches

Use cardboard, blankets or a carpeted area while assembling furniture to prevent scratches.



Flat Surface

Make sure the furniture rests on a flat and level surface with each leg evenly touching the floor.

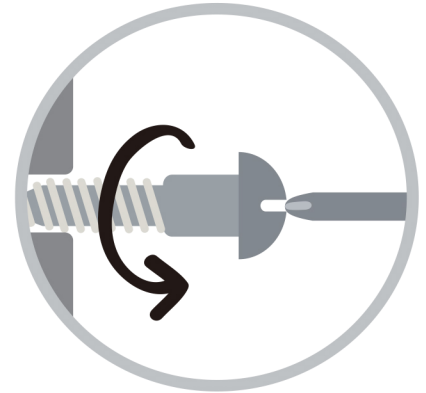
ASSEMBLY AND CARE ADVICE



**FAILURE TO FOLLOW THE GUIDELINES BELOW MAY
RESULT IN INJURY AND/OR PROPERTY DAMAGE.**



Position each part correctly
and insert screws or bolts into
their respective holes.



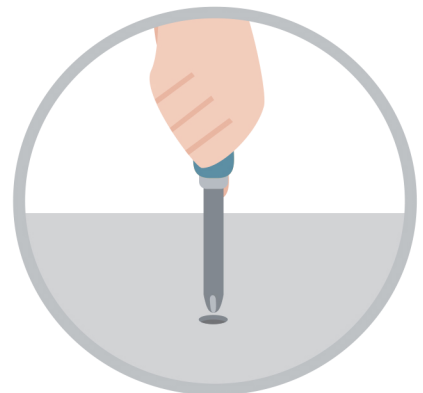
Turn clockwise to tighten and
only tighten when step is
completed or when instructed
to do so.



Use the appropriate hand tools
or power tools for assembly.
Select steps, such as tightening
screws and/or bolts, may require
hand tools to avoid causing
damage during assembly.



Save the instructions and store
any supplied tools for later
maintenance.



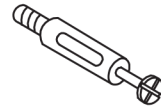
After two weeks, check and
tighten any loose hardware and
repeat again every six months
thereafter.

IT IS THE USER'S RESPONSIBILITY TO MAINTAIN THE FURNITURE. THE HARDWARE MAY LOOSEN OVER TIME AND MAY CAUSE THE FURNITURE TO BE WOBBLY AND UNABLE TO SUPPORT ITS INTENDED WEIGHT CAPACITY. THIS MAY LEAD TO COLLAPSE AND MAY CAUSE SERIOUS INJURY.

CAM LOCK FASTENER ASSEMBLY INSTRUCTIONS

Note :

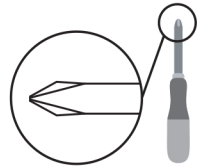
Every cam lock bolt must have a cam lock connector in order to fasten the parts together.



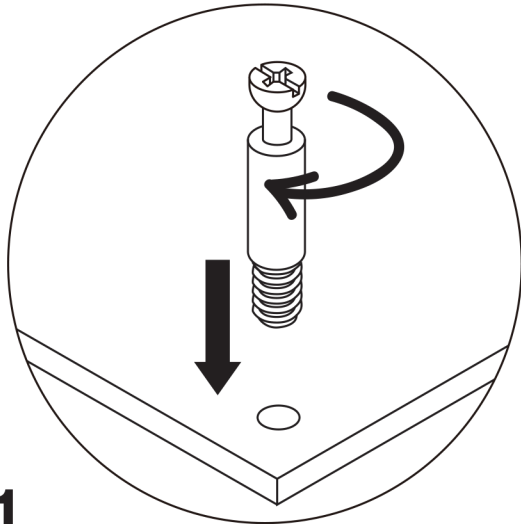
cam bolt



cam lock

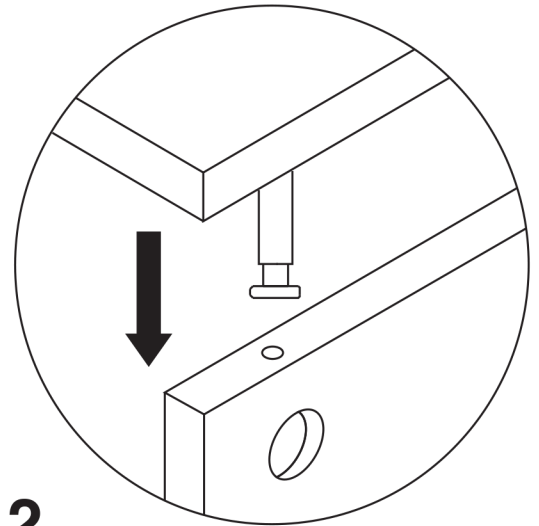


screwdriver



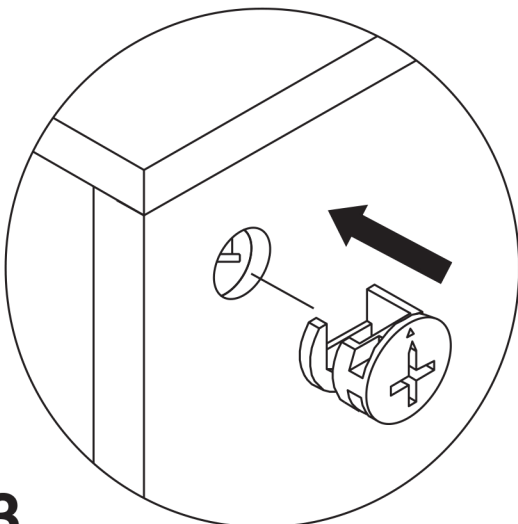
1

Screw the cam bolt into panel.



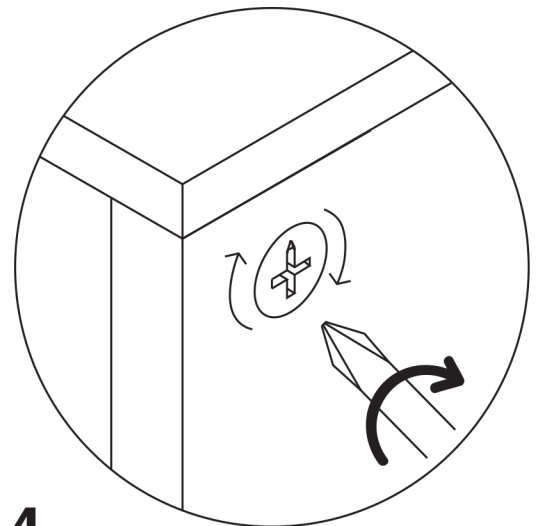
2

Insert the cam bolt into the bolt hole of joint panel.



3

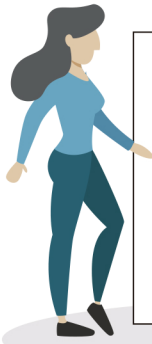
Align the cam lock with its side opening (or arrow) pointing to cam bolt.



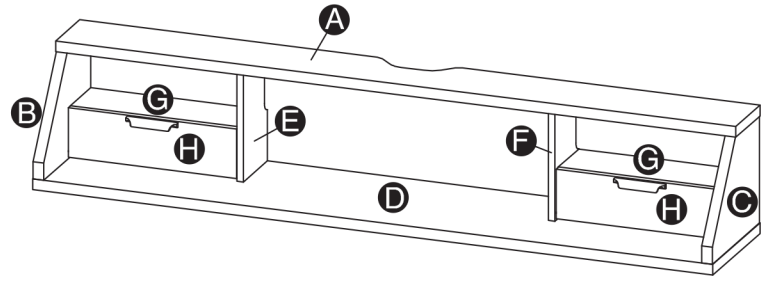
4

Turn the cam lock clockwise gently until it will not turn any more.

FLOATING TV CONSOLE

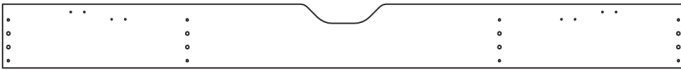


- Please keep instructions for future reference.
- Check the quantity and irregularity of parts and hardware before you start.

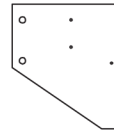


PARTS

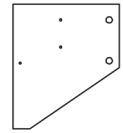
A 1PC



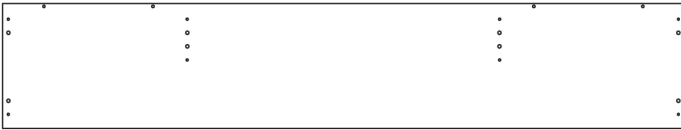
B 1PC



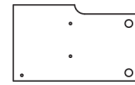
C 1PC



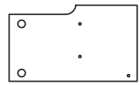
D 1PC



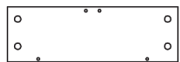
E 1PC



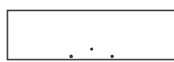
F 1PC



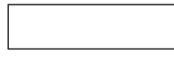
G 2PCS



H 2PCS



I 2PCS

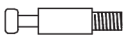


J 1PC



HARDWARE

1 16PCS



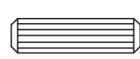
2 16PCS

0.47"



3 16PCS

ø8*0.98"



4 8PCS

1.57"



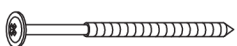
5 8PCS

ø6*0.78"



6 6PCS

3.46"



ACCESSORIES

A1 6PCS



A2 20PCS

0.62"



A3 4PCS



A4 4PCS



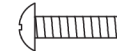
3571-95

A5 2PCS

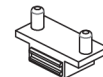


A6 4PCS

0.78"



A7 2PCS



A8 2PCS



A9 2PCS



Fix

A10 2PCS



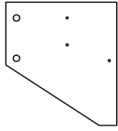
A11 1PC



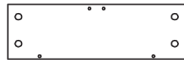
GET READY

Please group boards as below.

B1PC



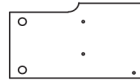
G2PCS



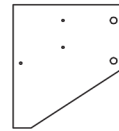
E1PC



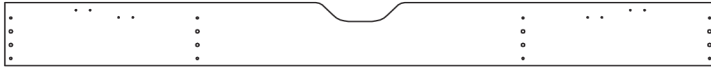
F1PC



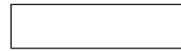
C1PC



A1PC



I2PCS



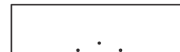
D1PC



J1PC



H2PCS



Body

ASSEMBLY INSTRUCTIONS

1

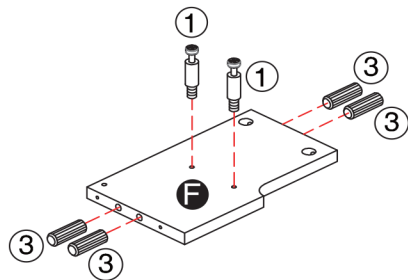
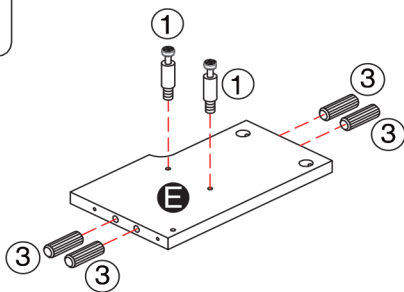
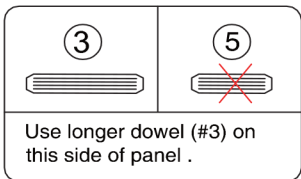
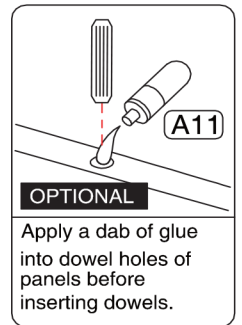
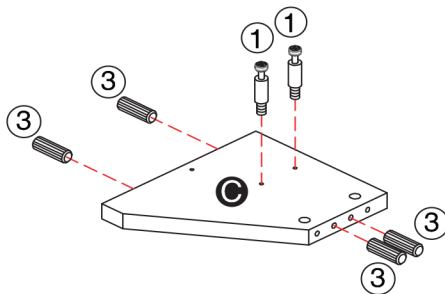
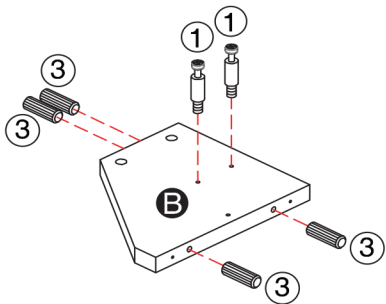
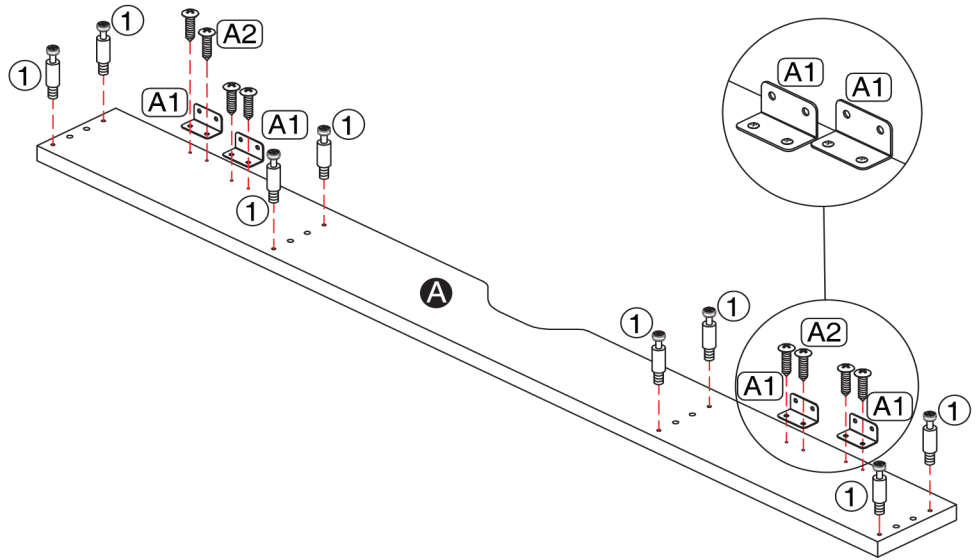
Hardware ① x 16PCS

Hardware ③ x 16PCS

Accessory A1 x 4PCS

Accessory A2 x 8PCS

Accessory A11 x 1PC



ASSEMBLY INSTRUCTIONS

2

Hardware ⑤ x 8PCS

Accessory A5 x 4PCS

Accessory A6 x 8PCS

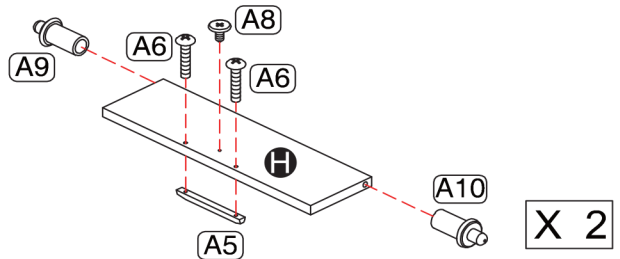
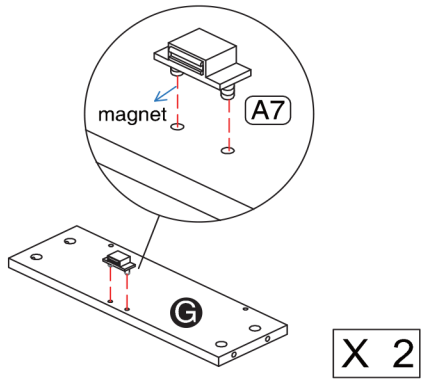
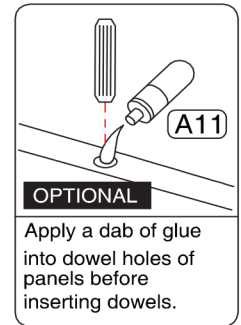
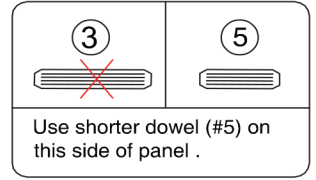
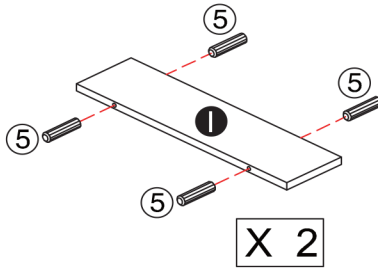
Accessory A7 x 2PCS

Accessory A8 x 2PCS

Accessory A9 x 2PCS

Accessory A10 x 2PCS

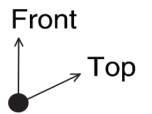
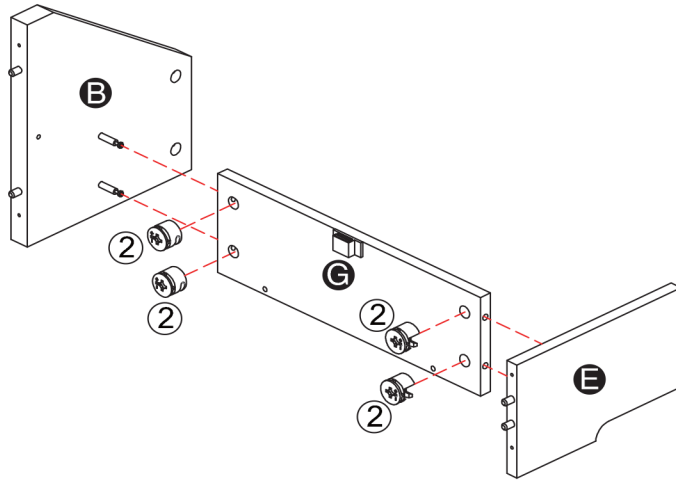
Accessory A11 x 1PC



ASSEMBLY INSTRUCTIONS

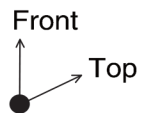
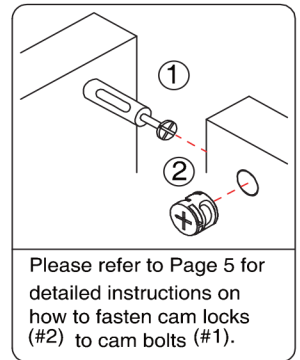
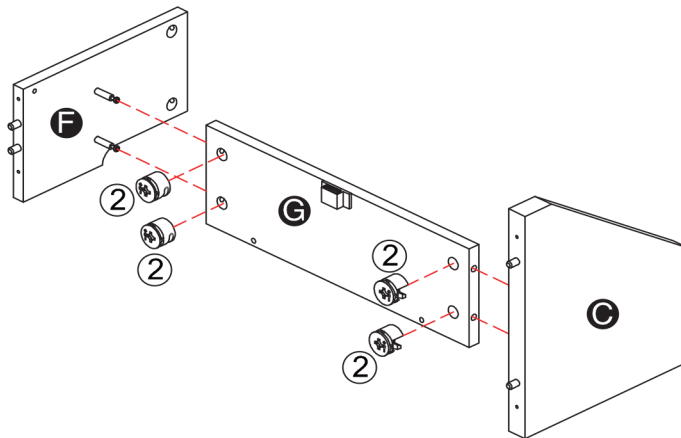
3

- Part **B** x1PC
- Part **E** x1PC
- Part **G** x1PC
- Hardware ② x 4PCS



4

- Part **C** x1PC
- Part **F** x1PC
- Part **G** x1PC
- Hardware ② x 4PCS



ASSEMBLY INSTRUCTIONS

5

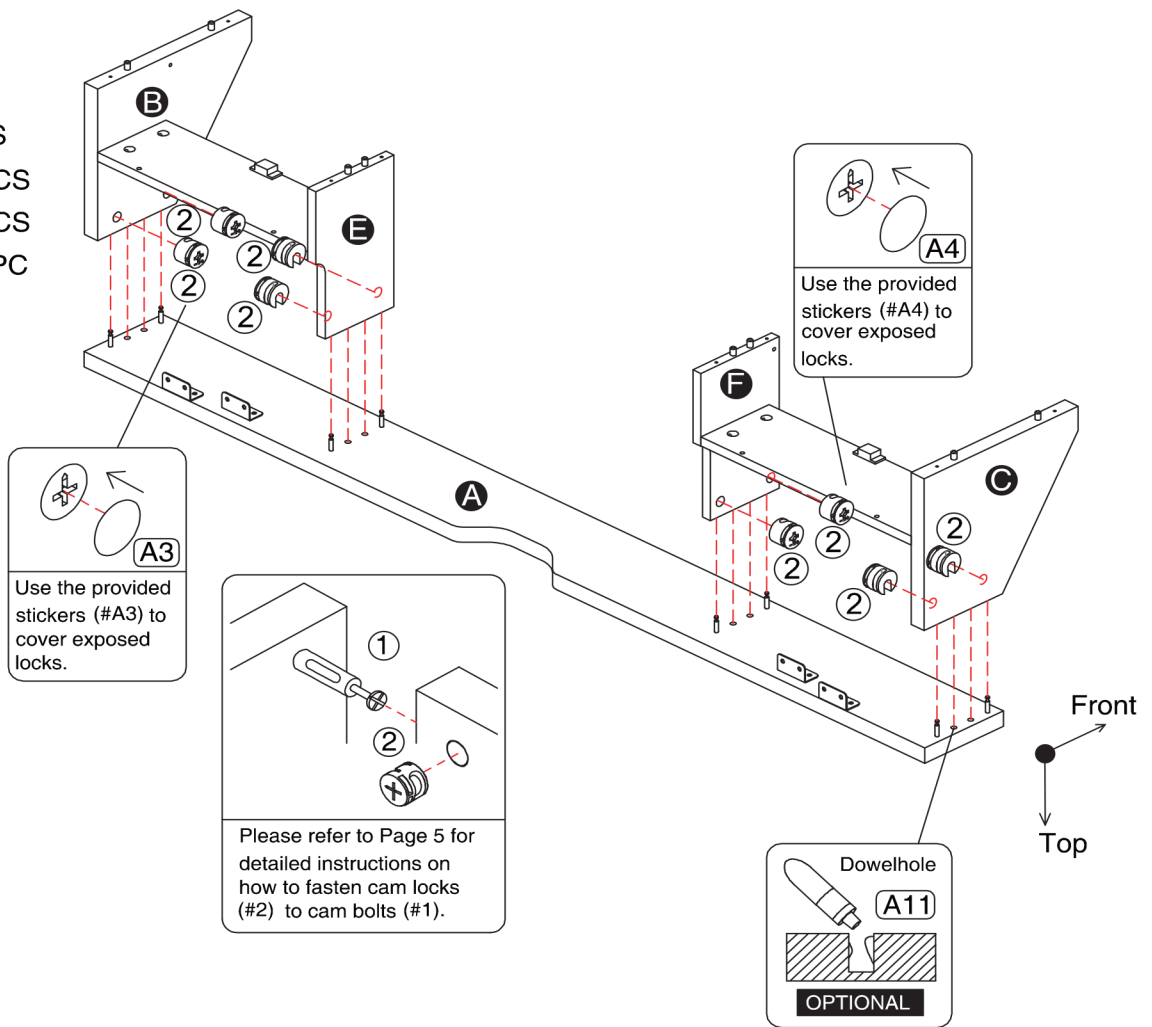
Part **A** x1PC

Hardware **2** x 8PCS

Accessory **A3** x 4PCS

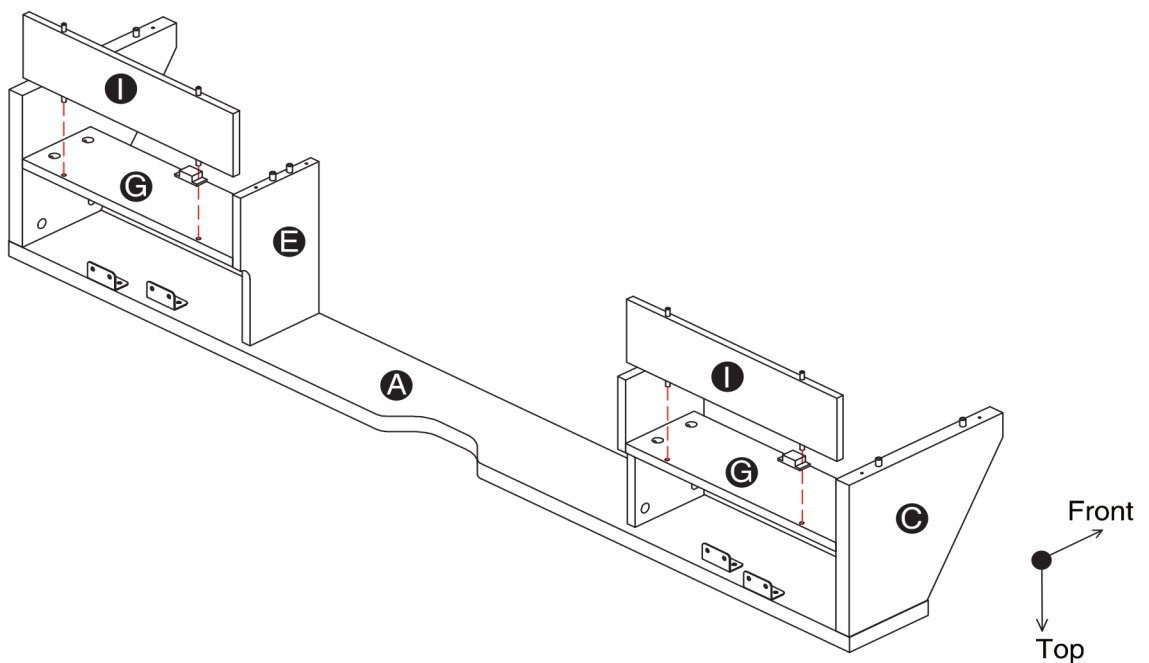
Accessory **A4** x 4PCS

Accessory **A11** x 1PC



6

Part **I** x2PCS



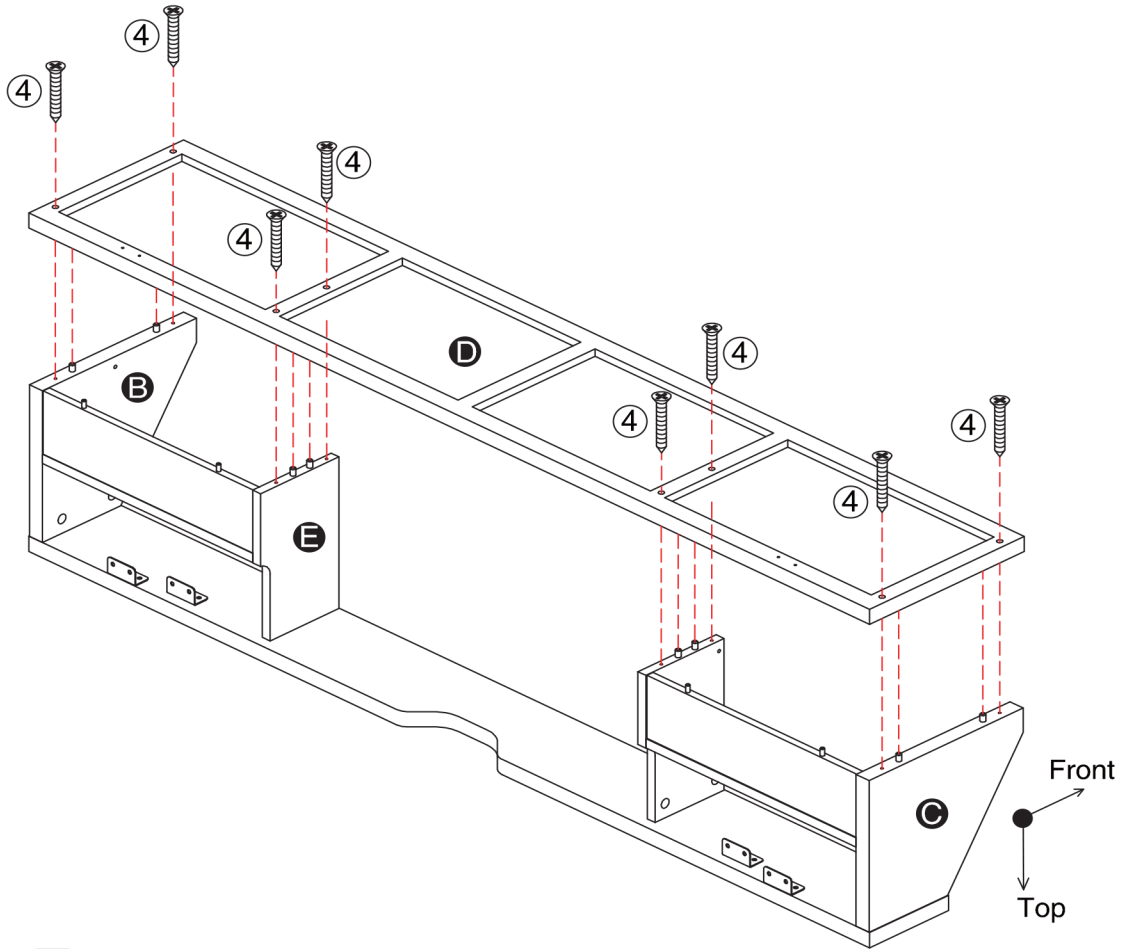
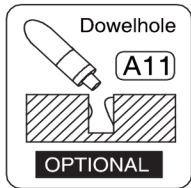
ASSEMBLY INSTRUCTIONS

7

Part **D** x1PC

Hardware **④** x 8PCS

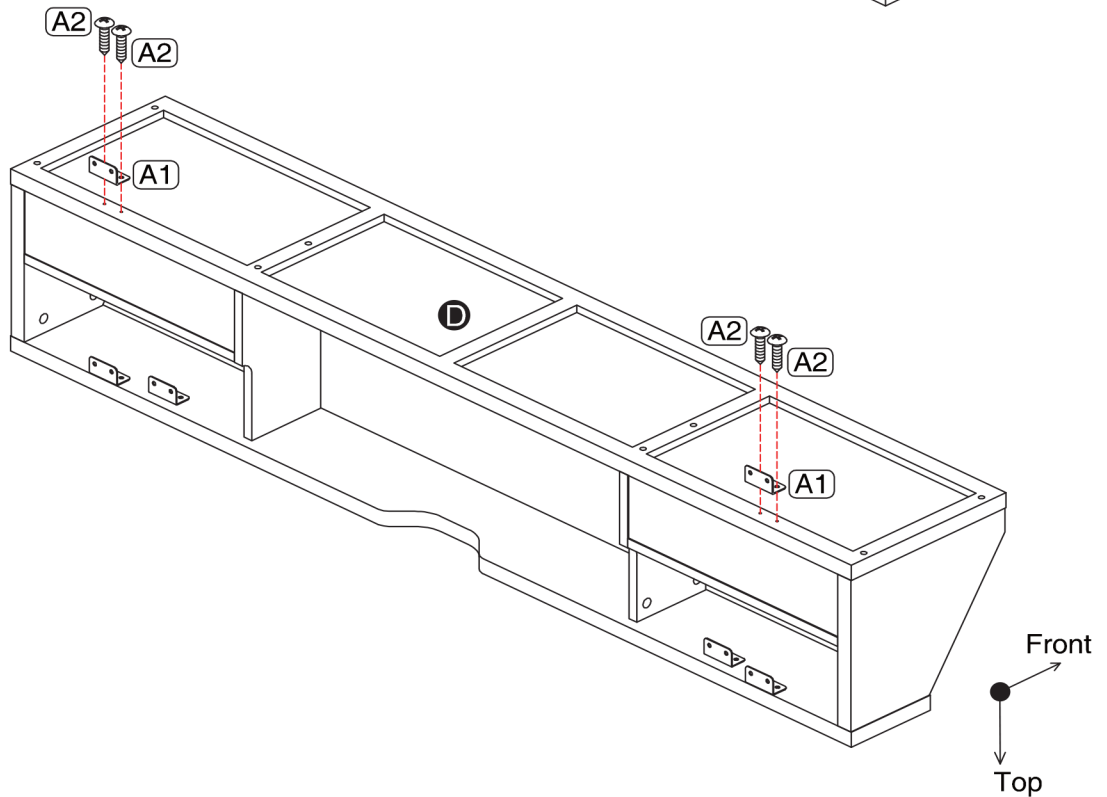
Accessory **A11** x 1PC



8

Accessory **A1** x 2PCS

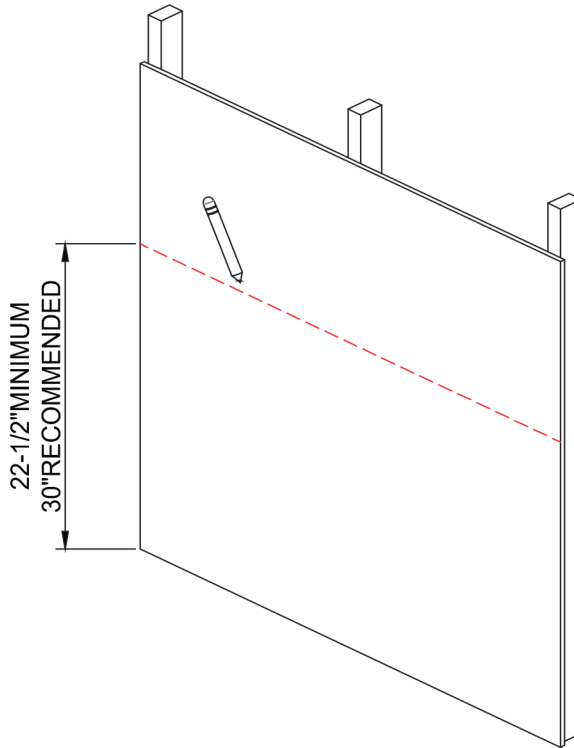
Accessory **A2** x 4PCS



ASSEMBLY INSTRUCTIONS

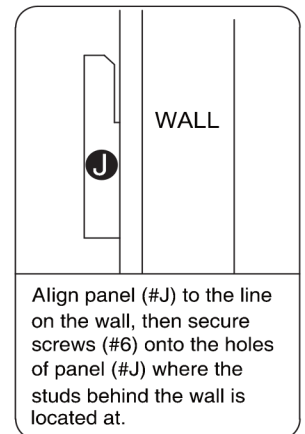
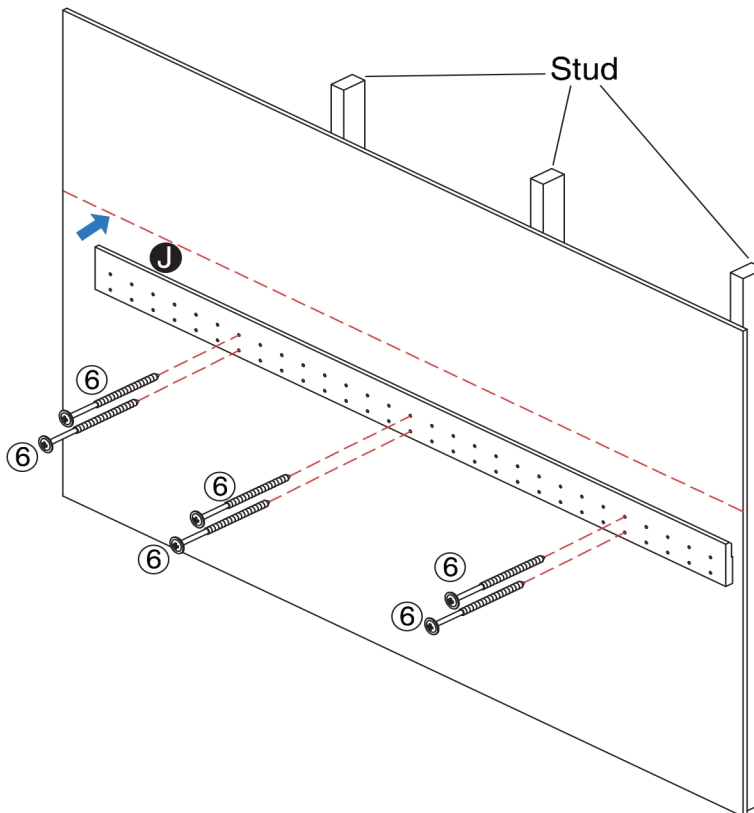
9

This is the recommended distance for the height of the product. Draw a line at the desired height of the product by using a pencil.



10

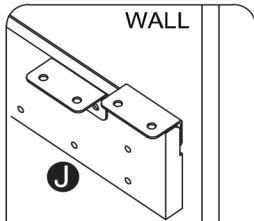
Part **J** x1PC
Hardware **6** x 6PCS



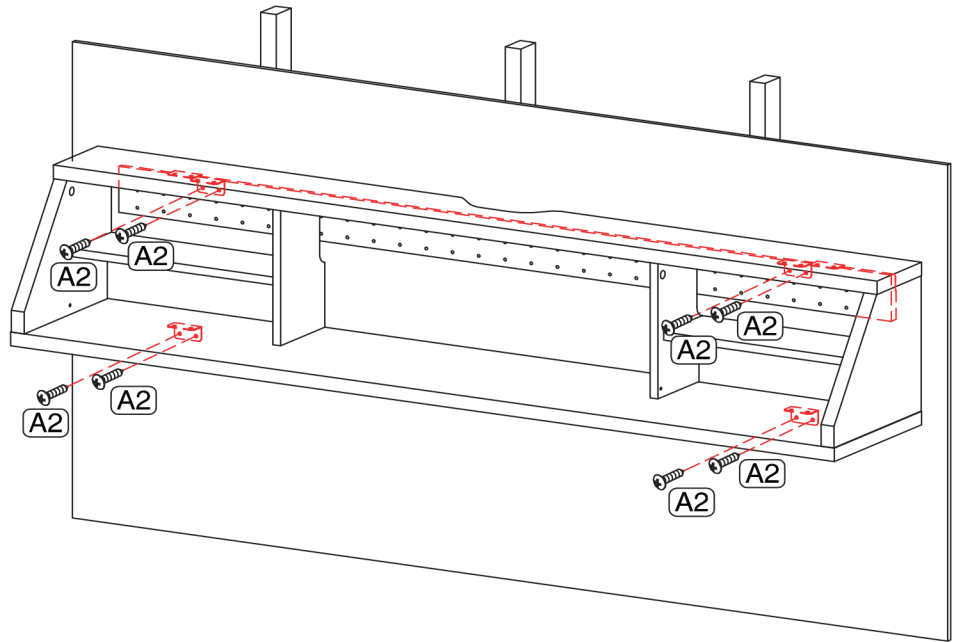
ASSEMBLY INSTRUCTIONS

11

Accessory (A2) x 8PCS



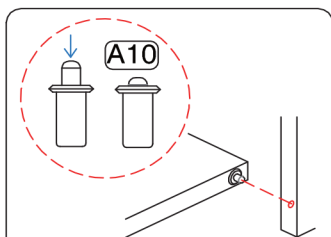
Align the brackets of the TV-stand to the panel (#J), then secure by using screws (#A2).



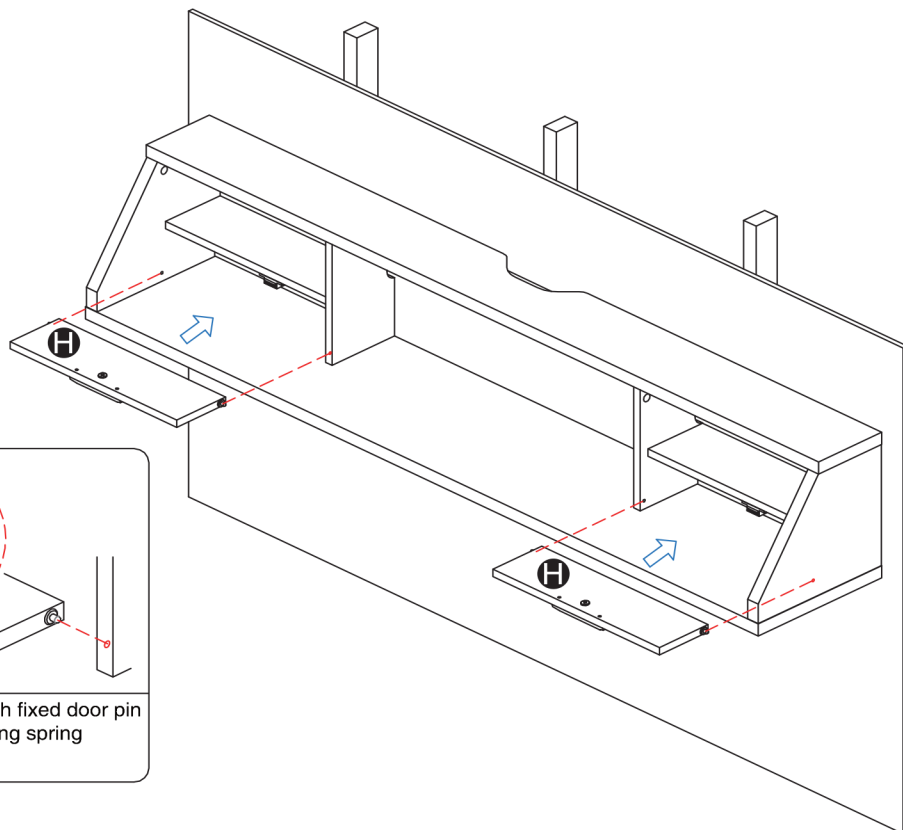
Top
Front

12

Part (H) x2PCS



Insert the side with fixed door pin first before inserting spring assisted door pin.



Top
Front

13

ASSEMBLY COMPLETED



Please ensure the furniture rests on an even and flat surface. If the product wobbles or feels loose, double-check all bolts and/or screws are properly tightened and secured.

✓ **Keep this handy!**

Please retain this instruction manual and any order-related information for future reference.

✓ **Lift during moving!**

ALWAYS have at least two people to help LIFT the product during transport to designated area.

