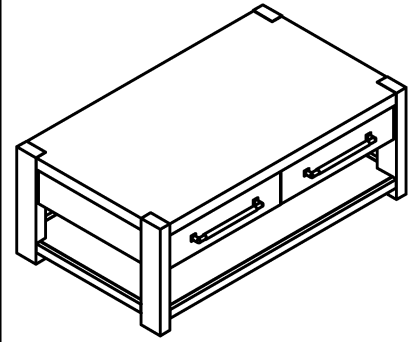


Occasional Assembly Instructions

Made in Viet Nam

Warning :

- Be sure to check all packing material carefully for small parts, which may have come loose inside the carton during shipment.
- To prevent possible scratches and damage, this furniture **MUST BE ASSEMBLED BY TWO PEOPLE** on a soft surface such as a blanket or carpet.



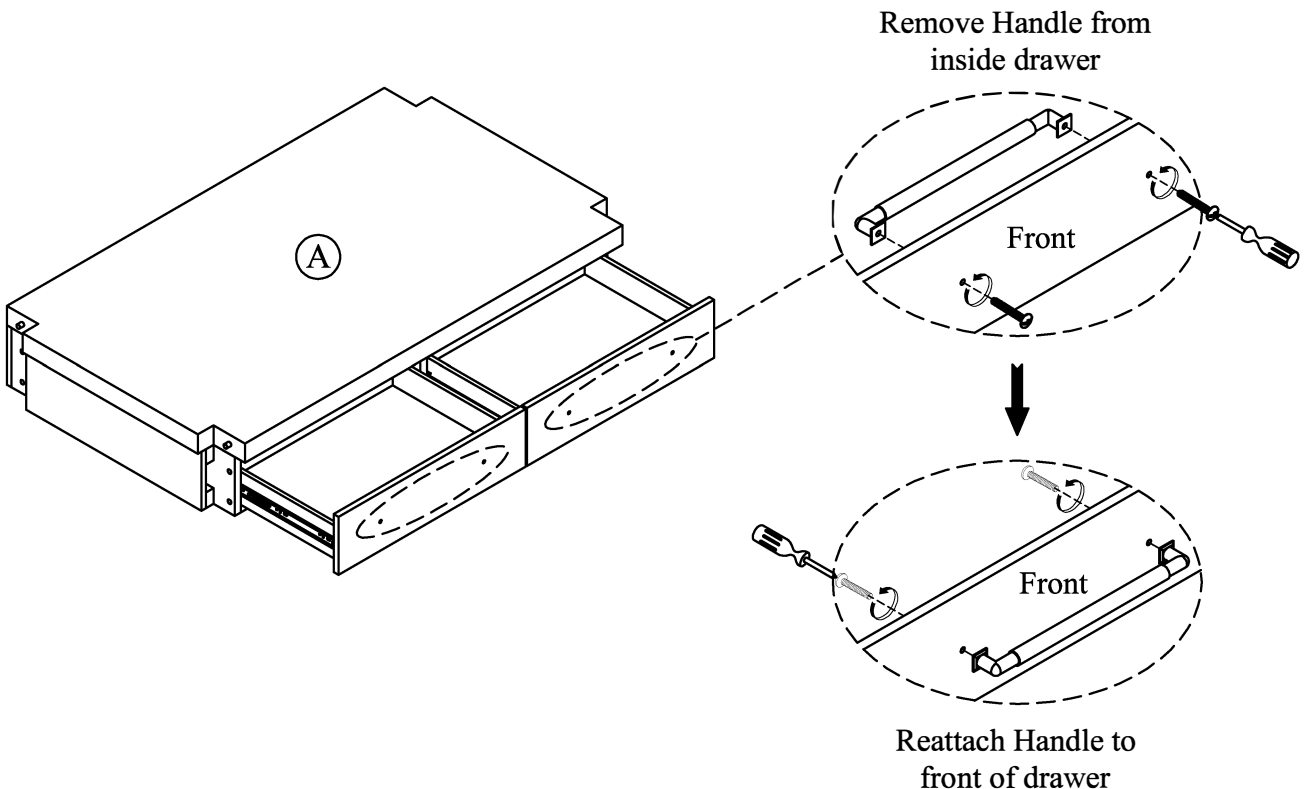
Rectangle Cocktail Table

Important Use Information: We recommend using coasters, placemats and trivets when placing hot or cold containers on this item. It is also recommended to quickly cleanup any spills to minimize exposure to moisture. Doing so will prolong the life and look of the item for many years.

Components and Hardware List

<p>Table Top</p> <p>1 pc.</p>	<p>Leg</p> <p>4 pcs.</p>	<p>Shelf</p> <p>1 pc.</p>	<p>Allen Head Bolt Ø5/16"-18 x 1-1/2"</p> <p>12 pcs.</p>	<p>Spring Washer Ø5/16" x Ø13</p> <p>12 pcs.</p>	<p>Flat Washer Ø5/16" x Ø19</p> <p>12 pcs.</p>	<p>Allen Key M4 x 2-1/2"</p> <p>1 pc.</p>
<p>Caster</p> <p>4 pcs.</p>	<p>Allen Wrench 17 mm</p> <p>1 pc.</p>	<p>Screw Driver not included</p>				

Step 1

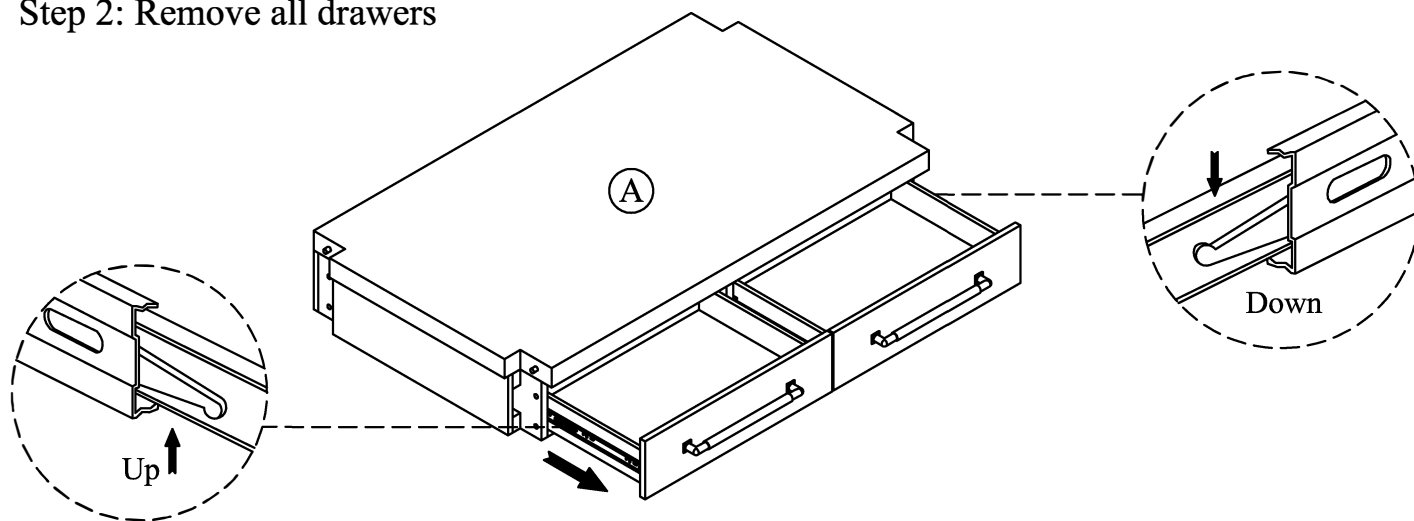


Occasional Assembly Instructions

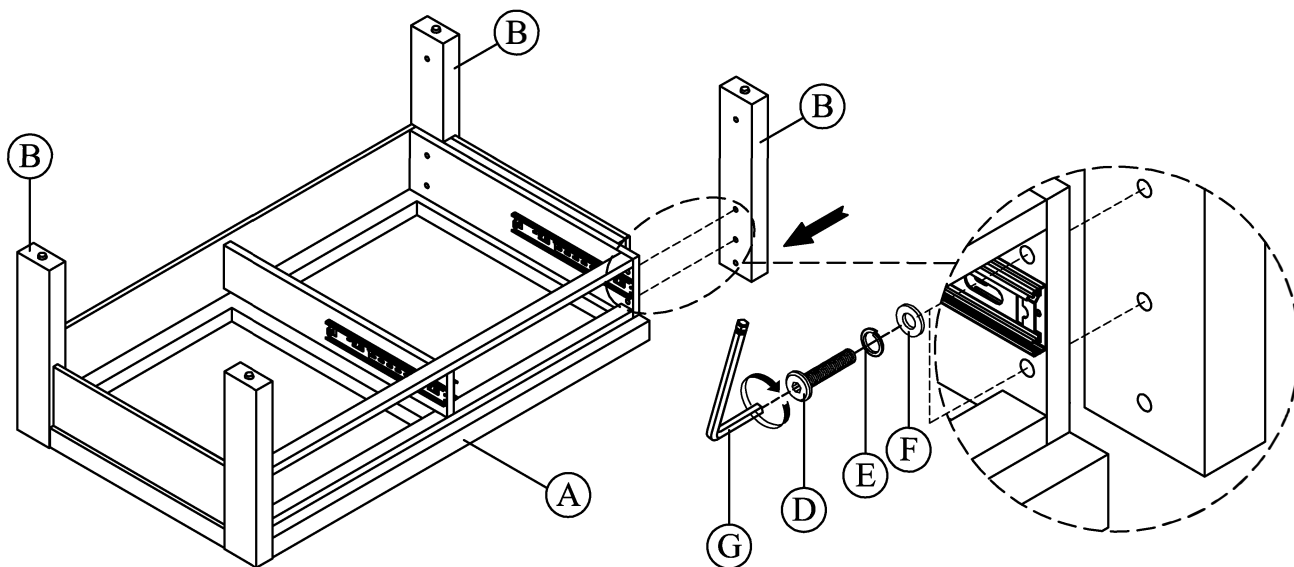
Made in Viet Nam

Rectangle Cocktail Table

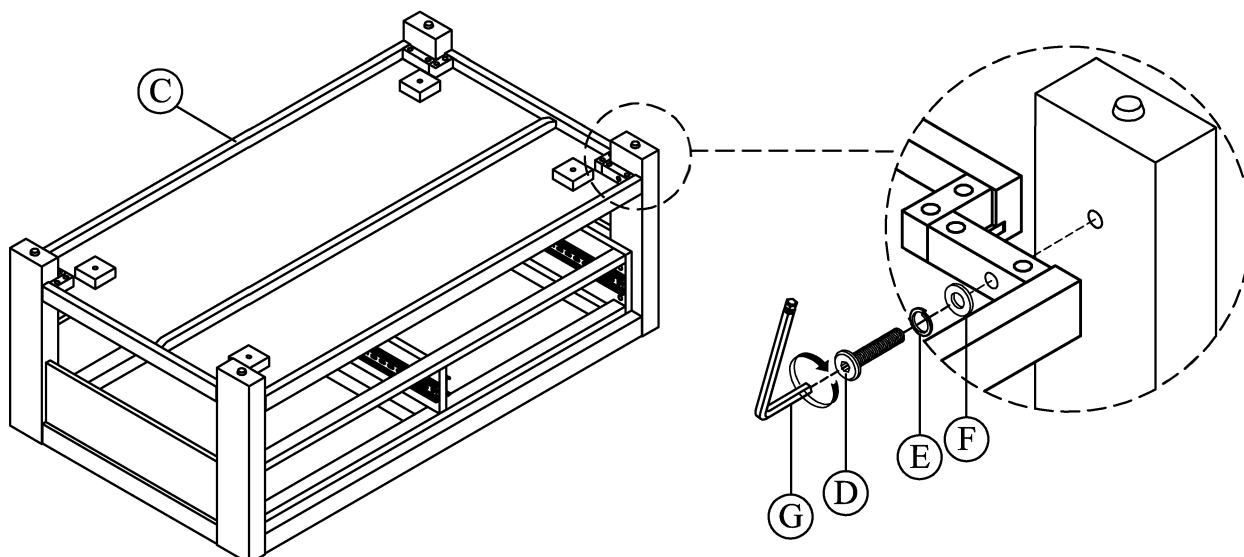
Step 2: Remove all drawers



Step 3: Do not fully tighten all bolts.



Step 4: Using the Allen key tighten all bolts.

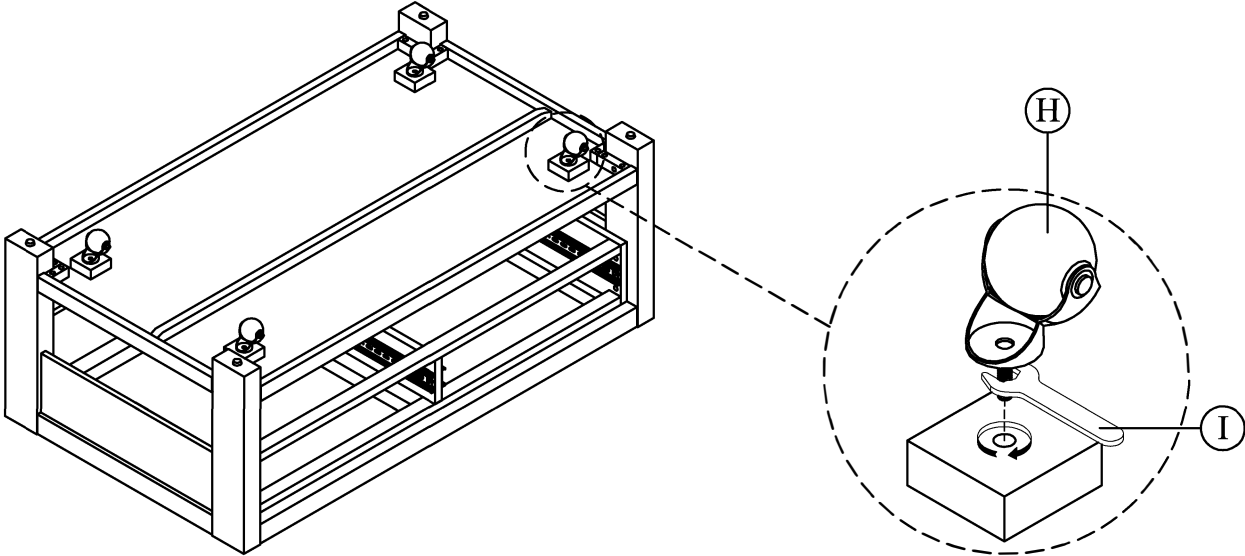


*Occasional
Assembly Instructions*

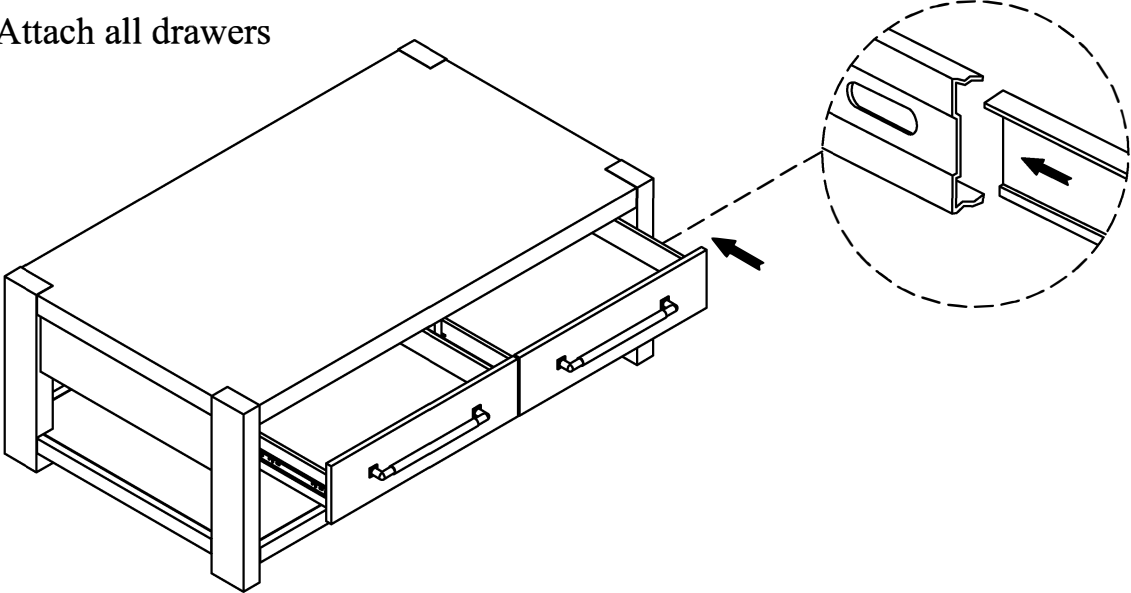
Made in Viet Nam

Rectangle Cocktail Table

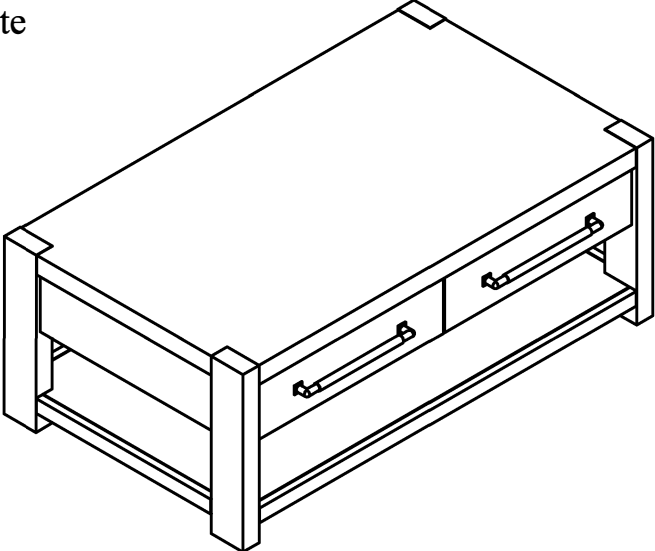
Step 5



Step 6: Attach all drawers



Complete



Note: To prevent possible damage to some types of flooring, never roll casters on unprotected hardwood or vinyl flooring.