

Assembly Instructions

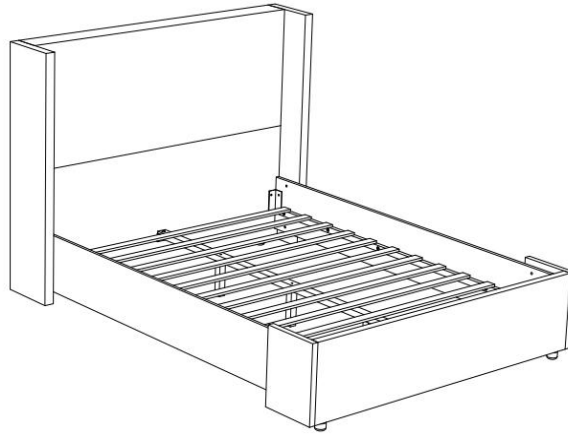
Caution : You must read this before you proceed

Care & Maintenance

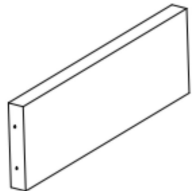
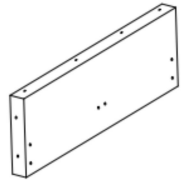

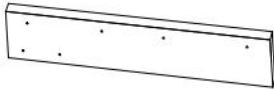
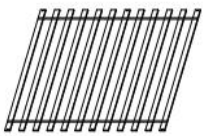

- ⊘  • Not for commercial use. For residential use only.
 - ✓  • Furniture may scratch floors. We recommend using furniture pads to protect your floors.
 - ⊘  • Do not put hot items directly on furniture surface.
 - ⊘  • Do not clean furniture with harsh cleansers or polish.
 - ⊘  • Do not place furniture under direct sunlight.
 - ⊘  • Do not place furniture near heating or cooling vents.
 - ⊘  • Do not write on furniture without a padded barrier to protect the surface.
 - ⊘  • Do not place furniture outside . For indoor use only.
 - ⊘  • Stains may be removed with mild soap solution and damp cloth.
 - ⊘  • Children should not climb or jump on the furniture.
- ✓  • Dust and pick-up spills using a clean, non-colored, lint-free cloth.

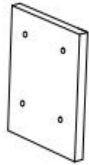




Please look in carton for hardware packs and legs.

Upholstered Bed

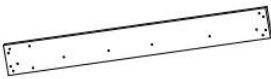

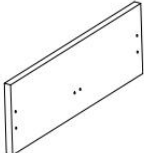




Parts List


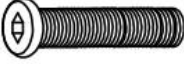


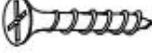
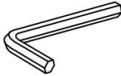

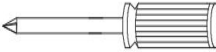
Label	Picture	Description	QTY
A		Headboard A	1
B		Headboard B	1
C		Bedhead side-C	1
D		Bedhead side-D	1
J		Bed Slat	1
K		Tail side-K	1

L		Tail side-L	1
M		Midfoot	3
N		Plastic feet	4
O		Iron Bracket	2
P		L-Iron	4

Parts List

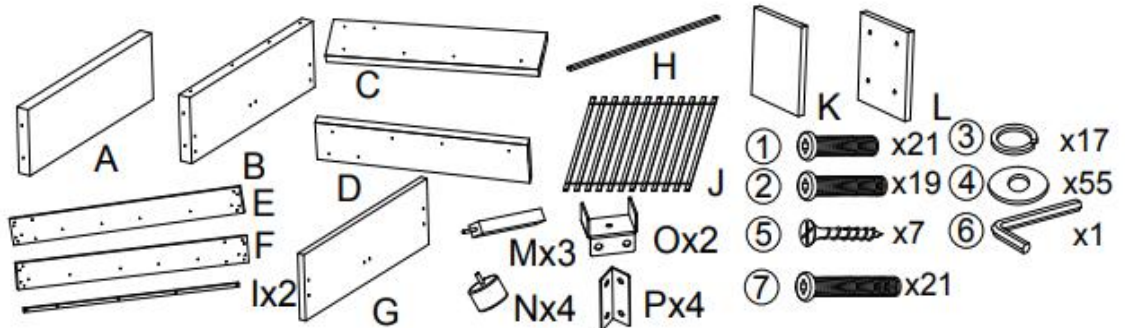
E		Bedside-E	1
F		Bedside-F	1
G		Bed End	1
H		Middle Pallet	1
I		Side tray	2

Hardware

Label	Picture	Description	QTY
①		Bolt Ø1/4" x 1"	21
②		Bolt Ø1/4" x 1-1/2"	19
③		Spring Washer Ø1/4"	17
④		Flat Washer Ø1/4"	55
⑤		Screw #8x1"	7
⑥		Allen Wrench 4.0x21x57	1
⑦		Bolt Ø1/4" x 1-3/4"	21
⑧		Screwdriver (Not provided)	1

Assembly Preparation

Before
Beginn
g
Assembly
:



- Read instructions, cover to cover-



- Have 2 adults on hand for assembly-



- Do not assemble on flooring or carpet-

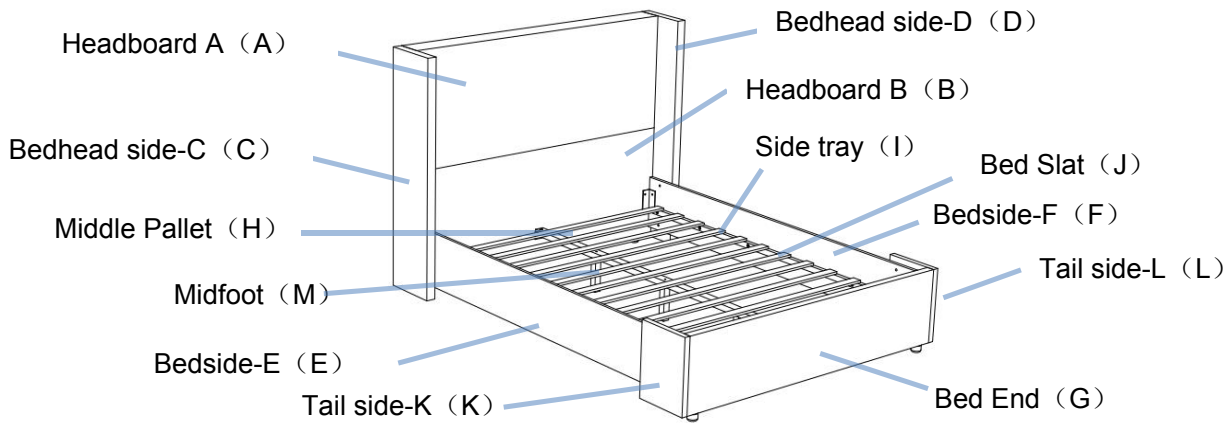


- Assemble on a clean non-marring surface (packing foam)-



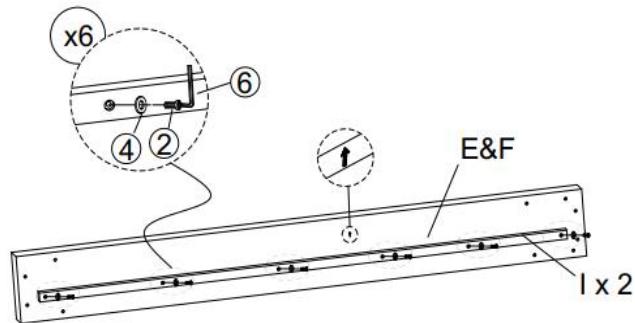
- Save all packaging until finished-

Assembly Steps



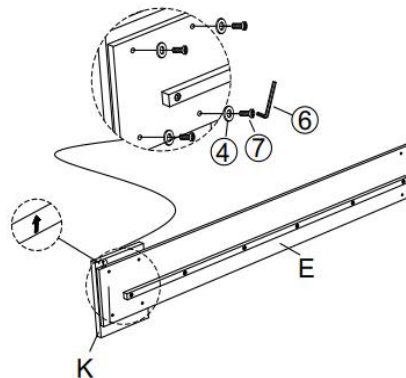
This Upholstered Bed has multiple parts and may require up to some 30 minutes to assemble. To give you an overview of the Upholstered Bed parts, the above picture is to help you put the various parts into perspective. Please read through the instructions below to familiarise yourself with the parts and steps before assembly.

Step 1



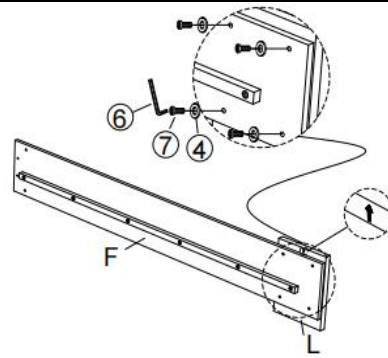
Attached Side tray (I) to Bedsides (E&F) by using Bolt (②), Flat Washer (④) and Allen Wrench (⑥), as pictured above.

Step 2



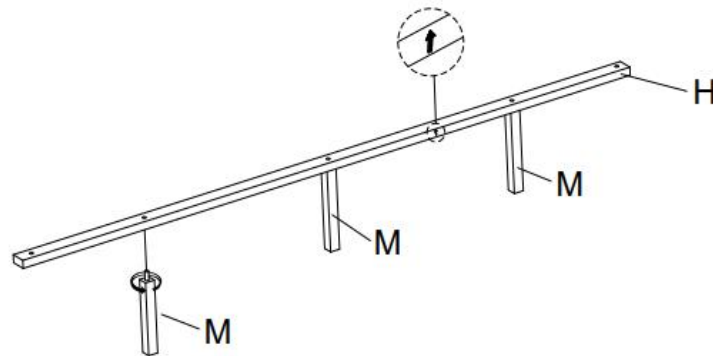
Attach Tail side (K) to Bedside (E) by using Bolt (⑦), Flat Washer (④) and Allen Wrench (⑥), as pictured above.

Step 3



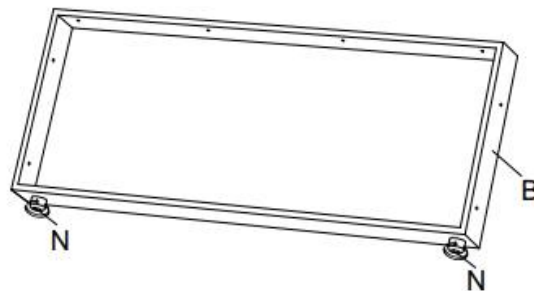
Attach Tail side(L) to Bedside (F) by using Bolt (⑦) ,Flat Washer (④) and Allen Wrench (⑥), as pictured above.

Step 4



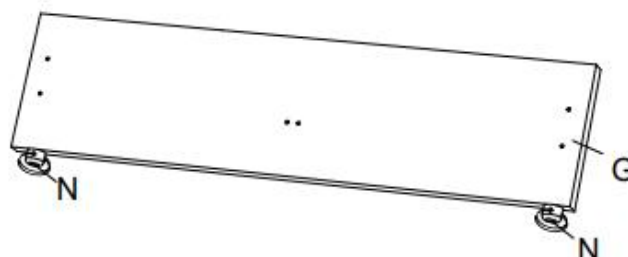
Attach Midfeet (M) to Middle Pallet (H), as pictured above.

Step 5



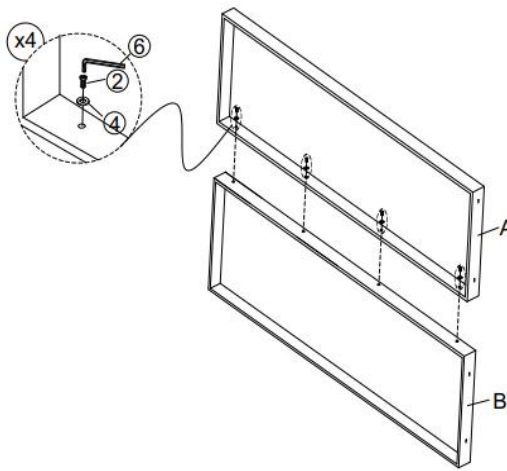
Attach Plastic feet (N) to Headboard B (B), as pictured above.

Step 6



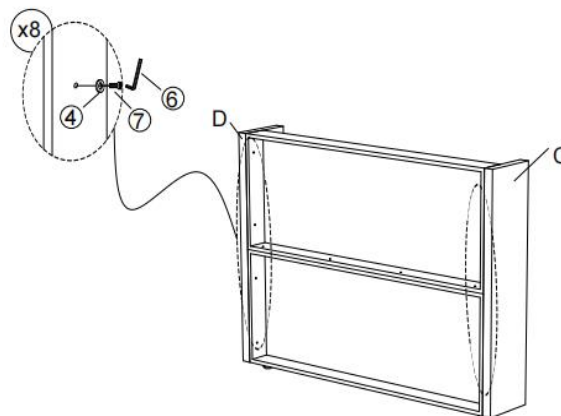
Attach Plastic feet (N) to Bed End (G), as pictured above.

Step 7



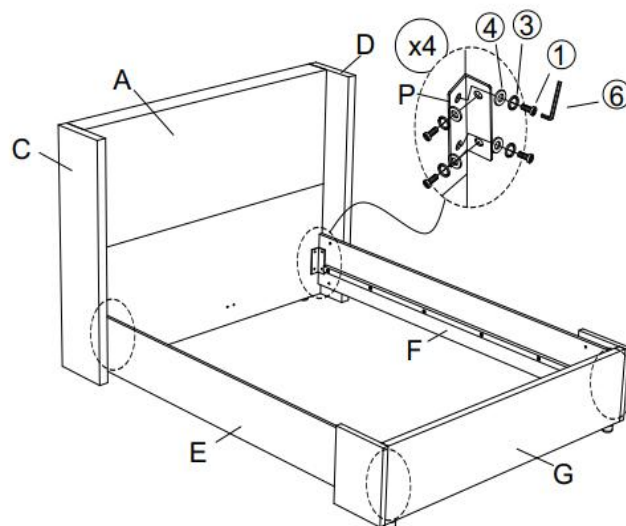
Attached Headboard A (A) to Headboard B (B) by using Bolt (2) ,Flat Washer(4) and Allen Wrench (6), as pictured above.

Step 8



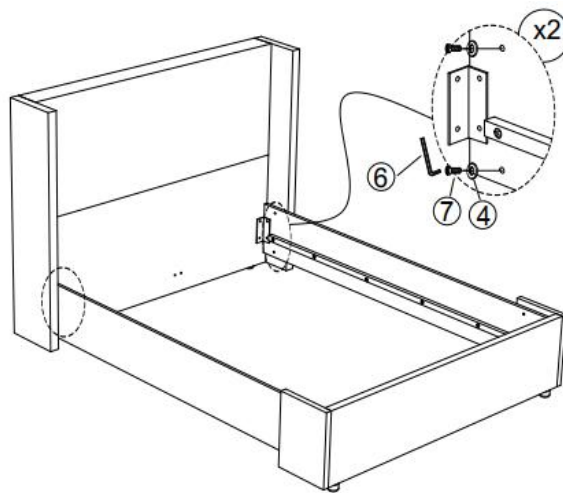
Attached Headboard A(A) and Headboard B(B) to Bedhead sides (C&D) by using Bolt (7) ,Flat Washer(4) and Allen Wrench (6), as pictured above.

Step 9



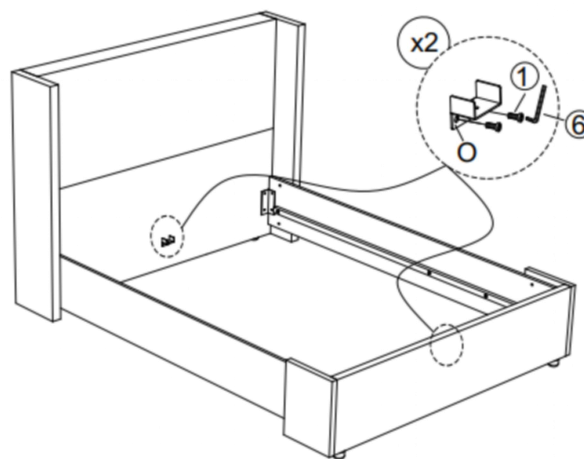
Attach L-Iron(P) to Bedsides (E&F),Headboard A(A) , Headboard B(B),Bed End(G) by using Bolt (1) ,Spring Washer (3), Flat Washer (4) and Allen Wrench (6), as pictured above.

Step 10



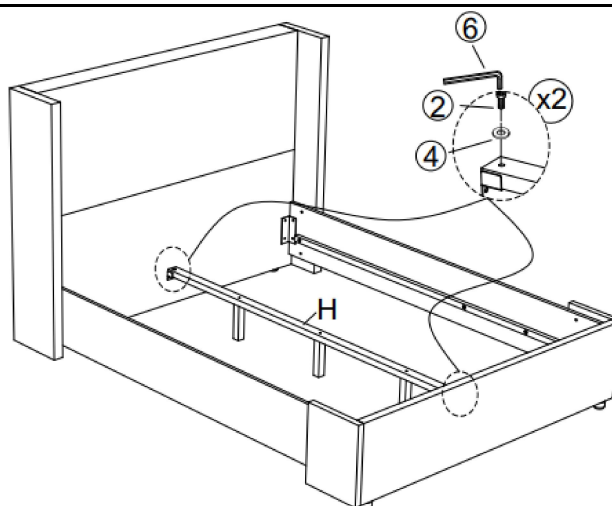
Attach Bedsides (E&F) to Bedhead sides (C&D) by using Bolt (⑦) ,Flat Washer(④) and Allen Wrench (⑥), as pictured above.

Step 11



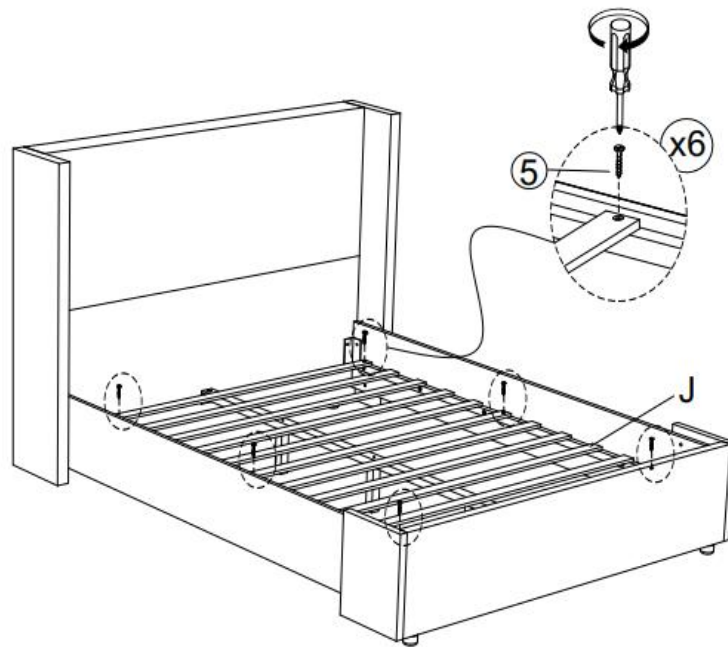
Attach Iron Bracket(O) to Headboard B(B) and Bed End(G) by using Bolt (①) and Allen Wrench (⑥), as pictured above.

Step 12



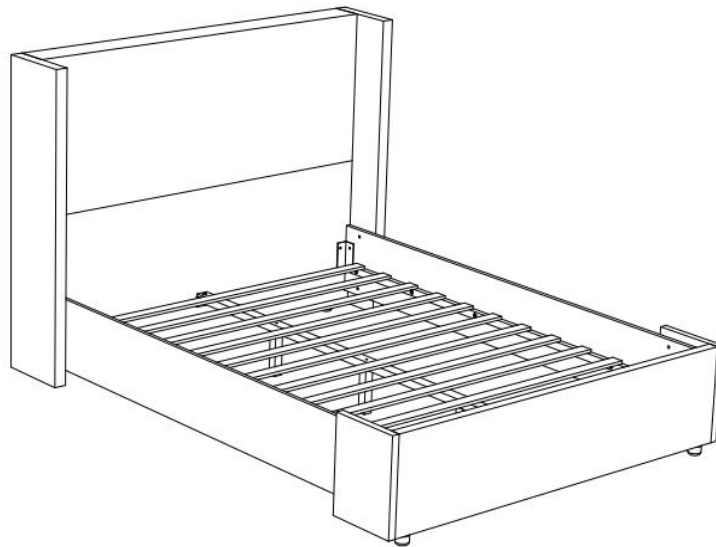
Attach Middle Pallet(H) to Iron Bracket(O) by using Bolt (②) ,Flat Washer(④) and Allen Wrench (⑥), as pictured above.

Step 13



Attach Bed Slat(J) to Side tray(I) by using Screw(⑤) , as pictured above.

Step 14



Your Upholstered Bed is ready for use.
This Upholstered Bed can only be used on a flat, level surface.