

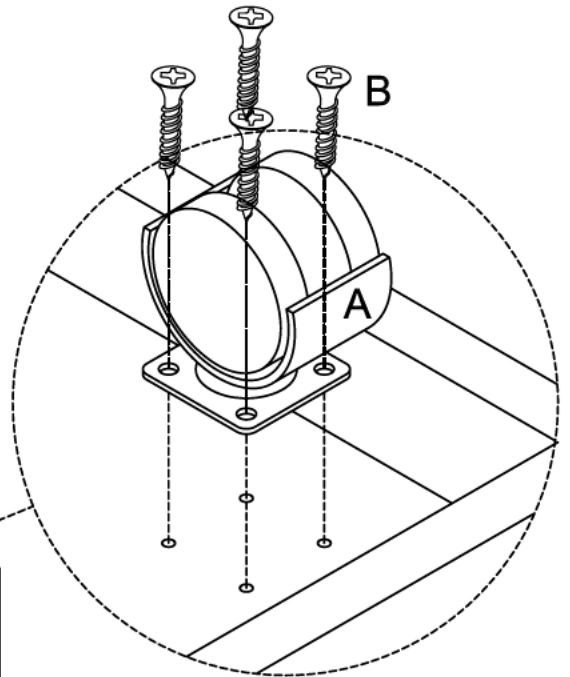
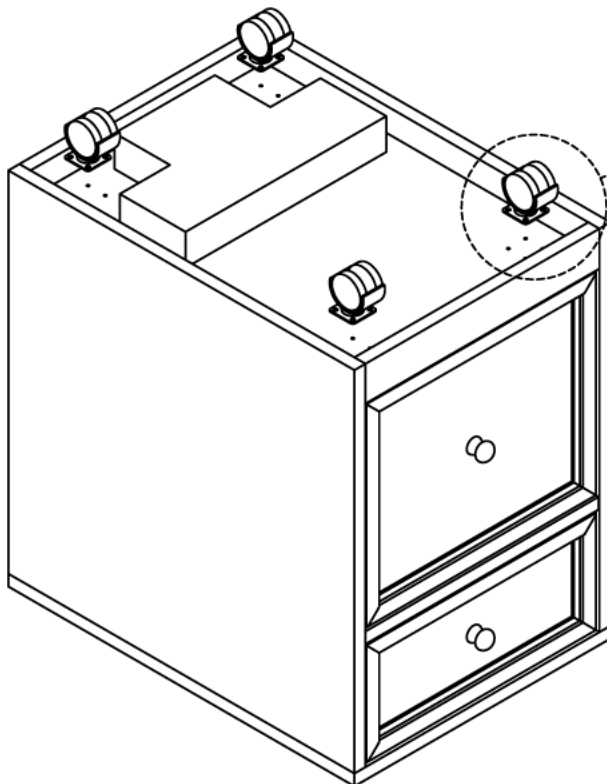


Assembly Instruction

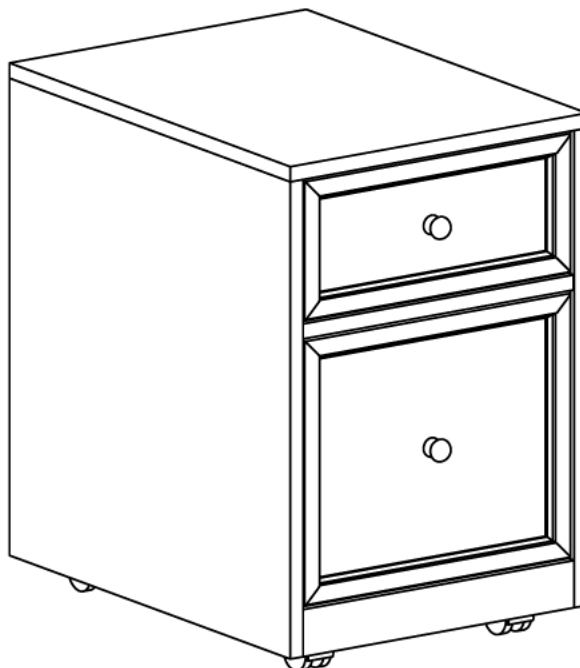
1/2

Hardwares

| NO | Description | Sketch | Q'TY |
|----|------------------|-----------------------------------------------------------------------------------|-------|
| A | Caster |  | 4pcs |
| B | Screw M8*5/8" |  | 17pcs |



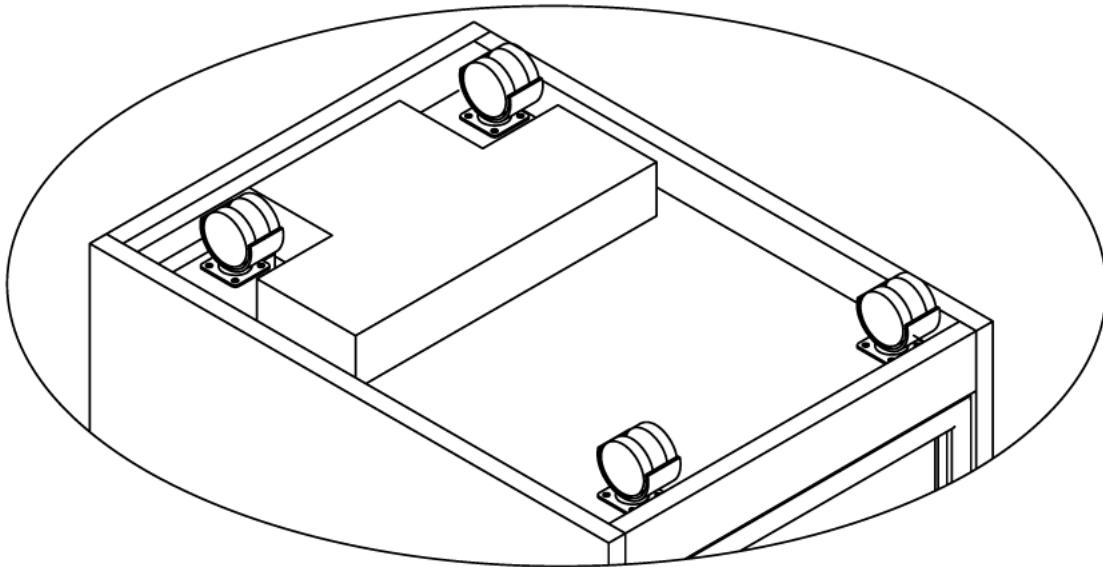
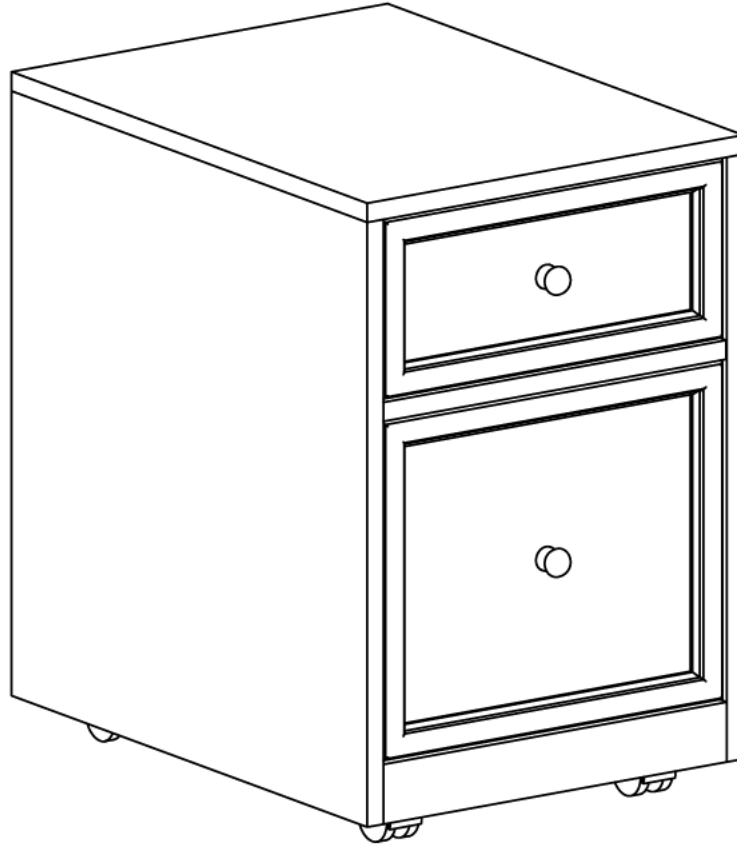
Use Screw(B) to fix the casters through the predrilled holes to the bottom of the Lateral File.



Assembly Instruction

2/2

WARNING: To prevent tip over, never open both drawers at the same time.



The above diagram shows a counter weight placed under the bottom of the file cabinet. Do not remove this weight as it will greatly reduce the chance of tip over.