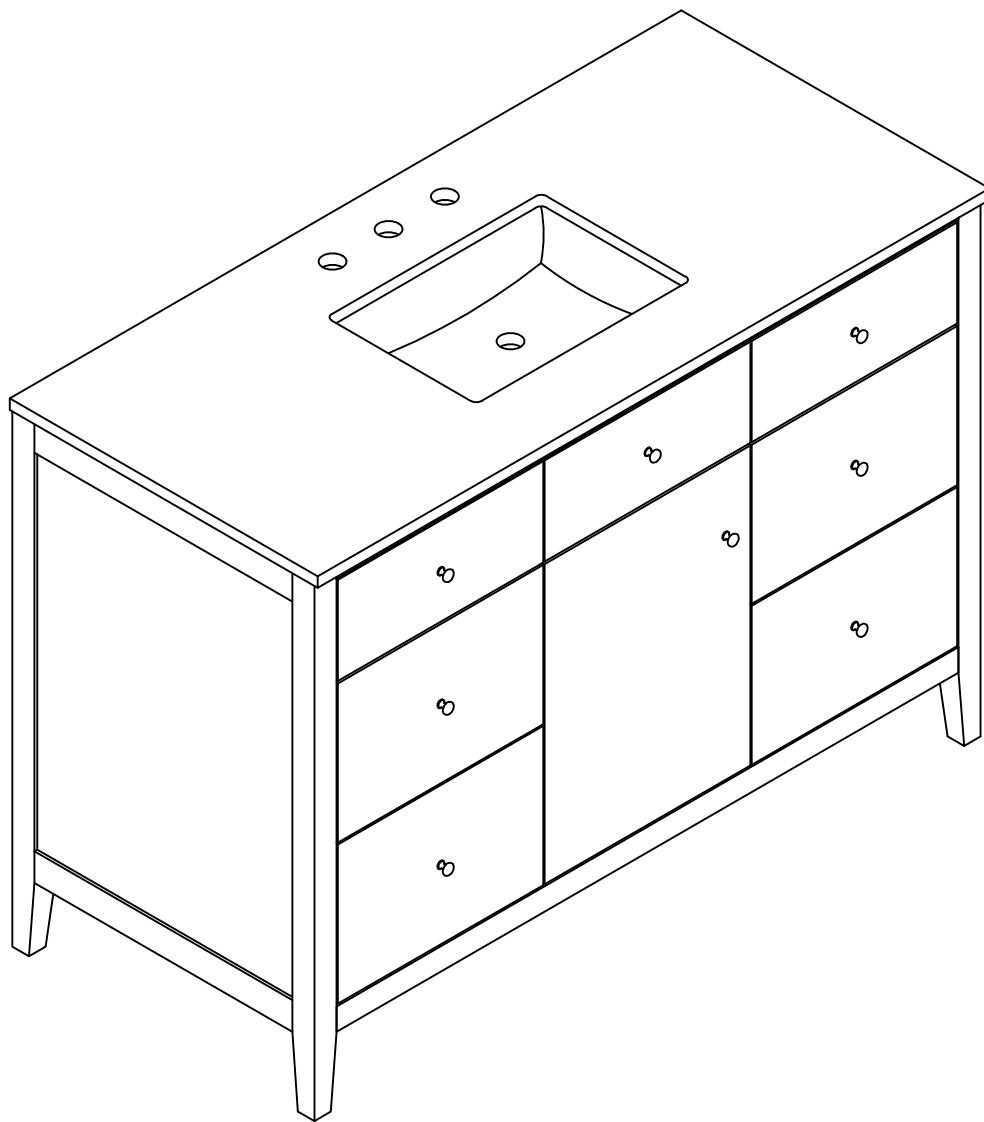


OLIVIABELLA 48" SINGLE VANITY

DESIGN #CVN1005A-48

Assembly Instructions



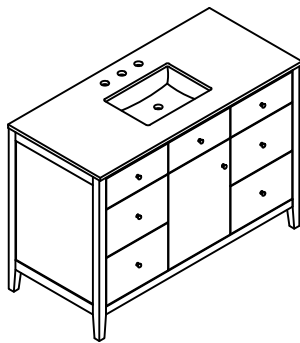
SAFAVIEH
COUTURE

Thanks for bringing Safavieh Couture into your home

Every thing we make is incredibly simple to set up, including your new vanity. You won't need any additional tools.

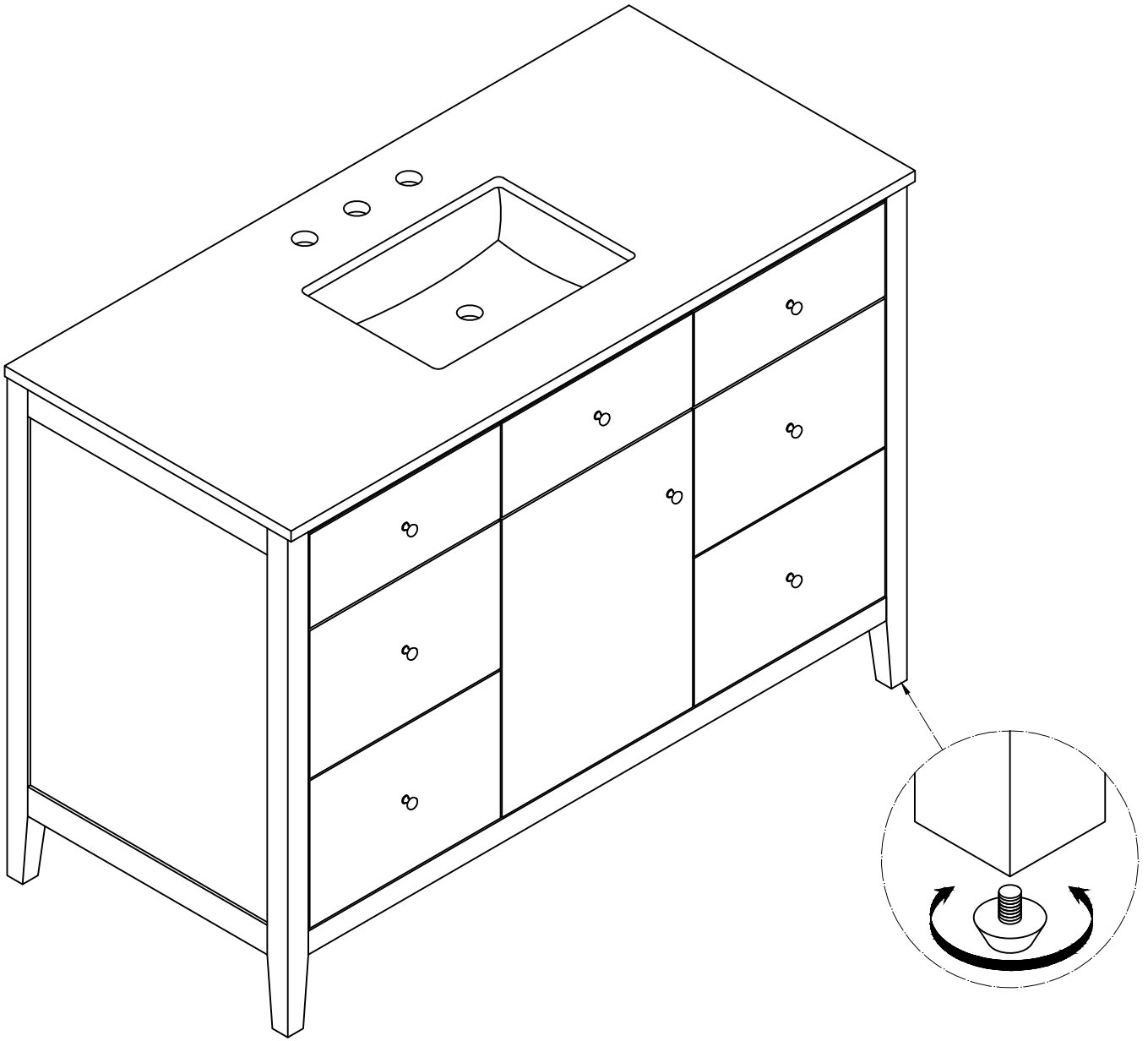
Parts List

A x 1
MAIN BODY

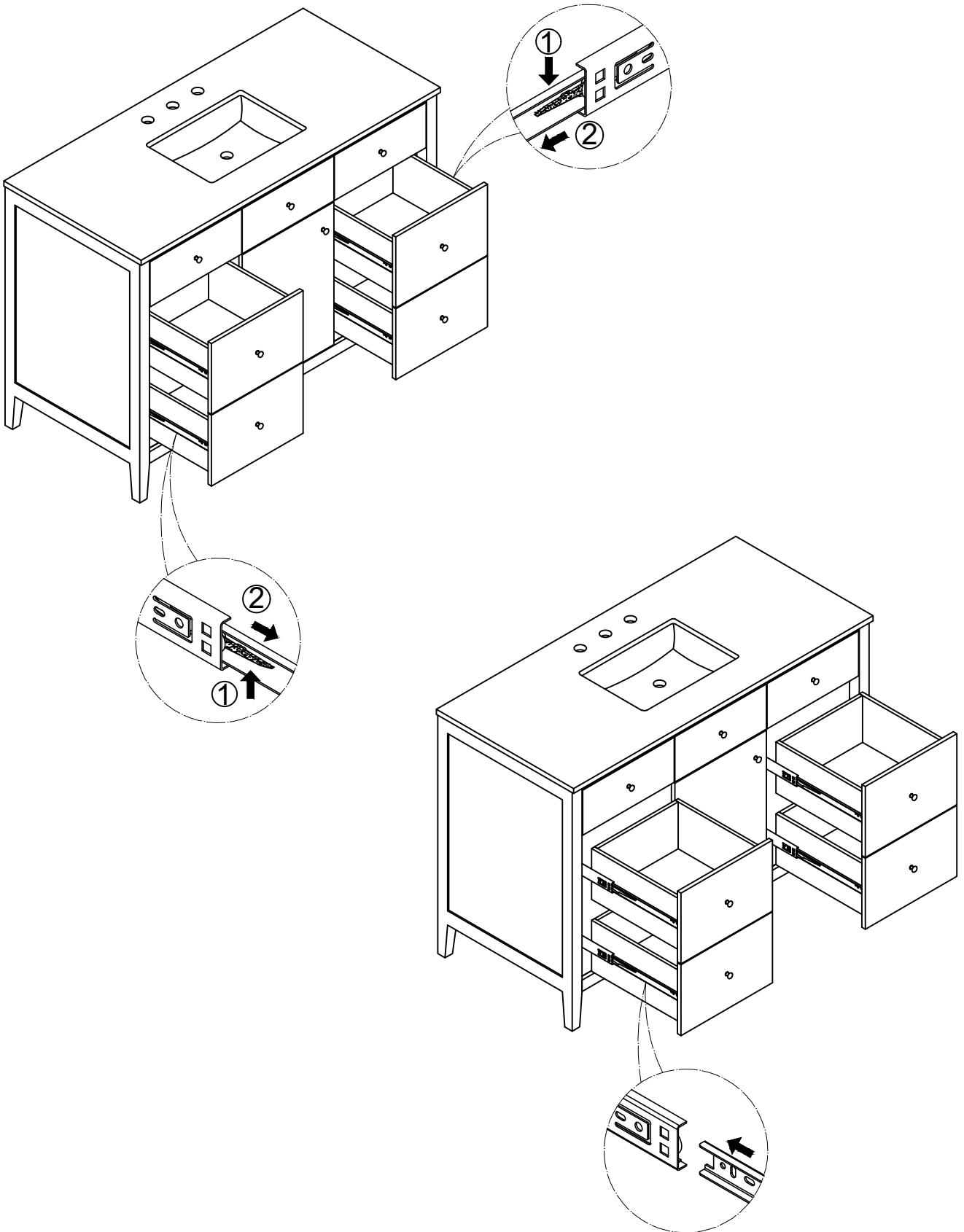


1

Adjust the levelers on the bottom of the feet as needed to make the Vanity Body (A) level.

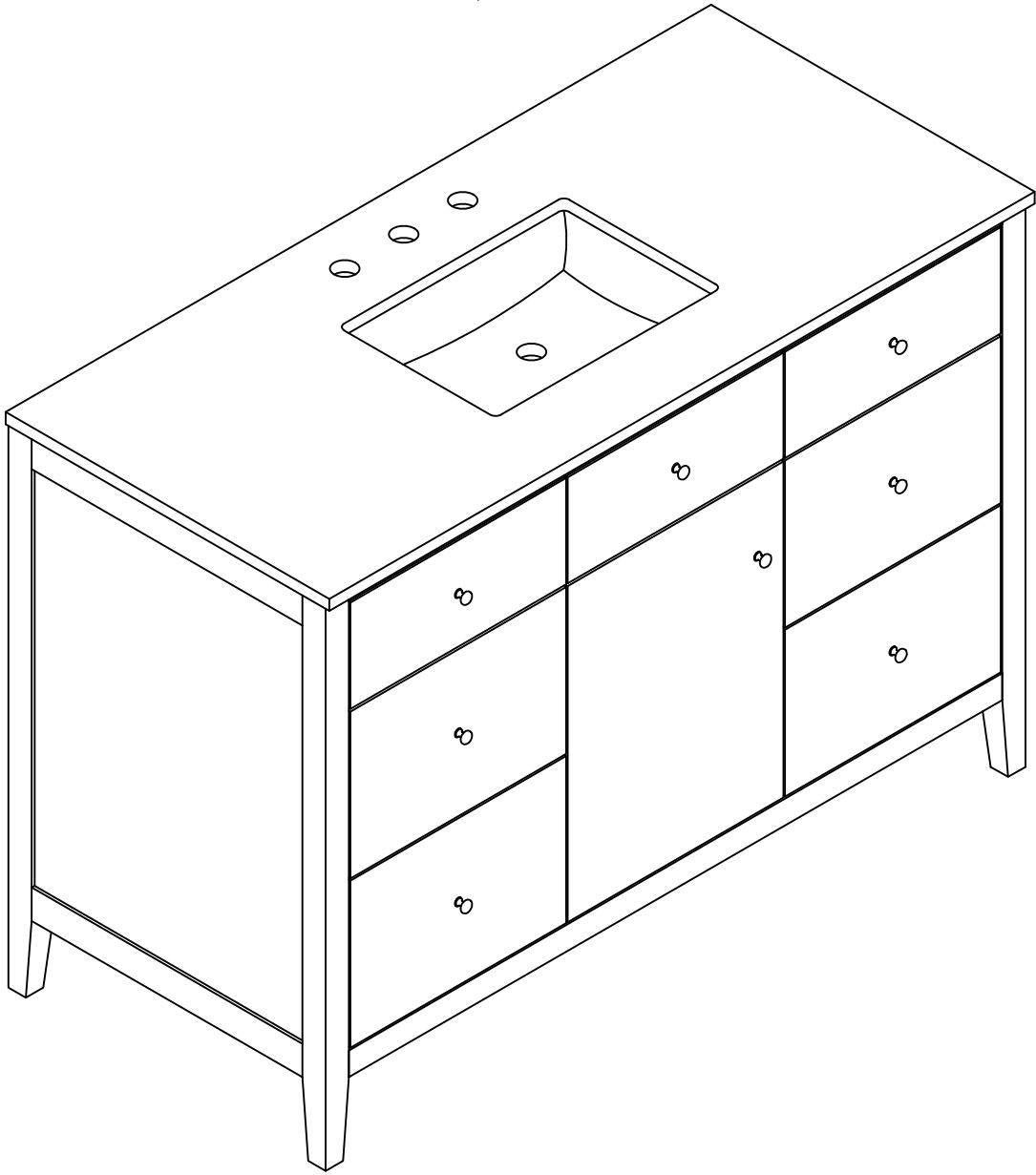


To remove the drawers, detach the male slide from the female slide by pressing up on the tabs and pulling the drawers forward. To reattach the drawers, align the male slides with the female slides and push the drawers in gently.



Place the Vanity in the place where you will use it. We'd love to see it – just tag us (we're @safavieh) and use the hashtag #safavieh on Instagram!

@safavieh



Need help?

Feel free to contact us via email or call if you have any specific questions!

contact us:

cs@safavieh.com

866-422-9070