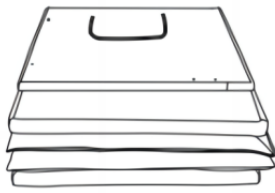


ASSEMBLY INSTRUCTION

PACKAGE LIST



(A)*2
Futon Body



(B)*4
Side Legs



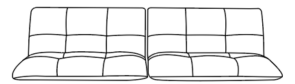
(C)*2
Middle Legs



(D)*12
Bolts
M10*33MM



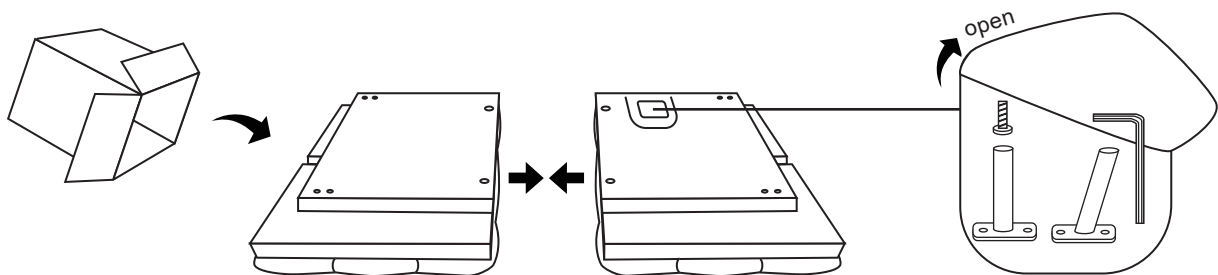
(E)*1
Wrench
6MM



(F)*2
Cushion

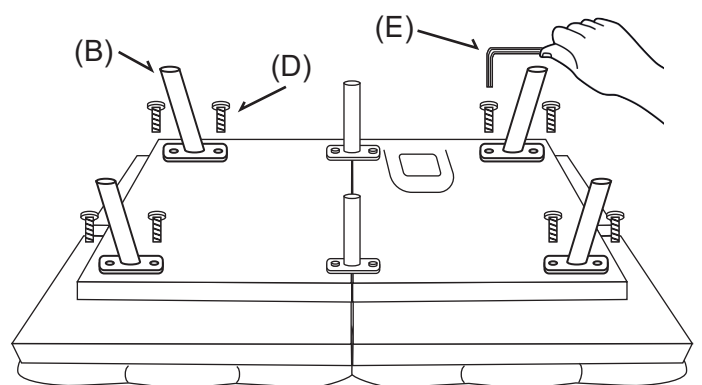
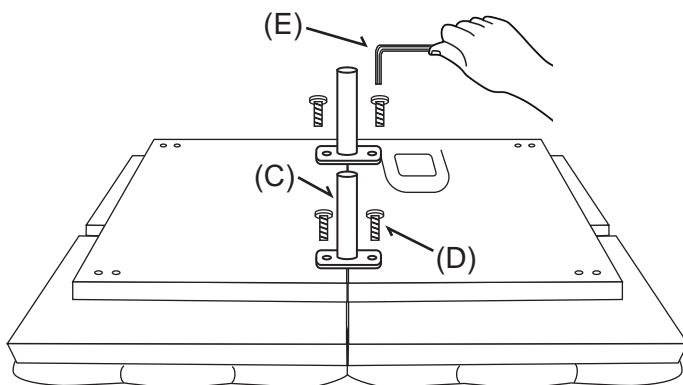
Step 1:

Turn the futon body (A) upside down, place the two sides of the mounting middle legs close together. Take out the legs and hardware in the fabric zipper pocket on the underside of the sofa bed.



Step 2:

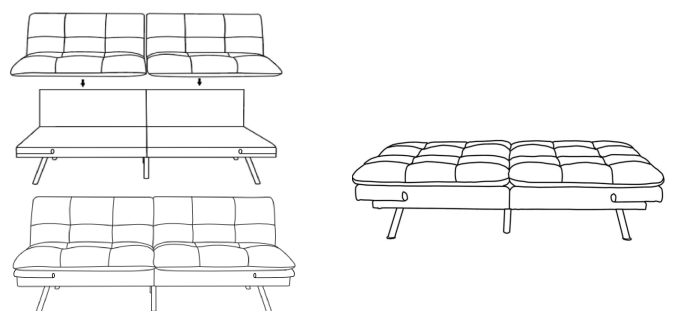
1. Attach the Middle Legs (C)*2 to the Futon Body (A) with Four Bolts (D)*4, using the Wrench (E).
2. Attach the Side Legs (B)*4 to the Futon Body (A) with Eight Bolts (D)*8, using the Wrench (E).



Step 3:

TIPS: Take out the cushion (F*2) from the vacuum bag. To prevent external damage, please avoid using knives to break the bag. We suggest placing it in a well ventilated area for 48 hours, which will make it more fluffy by 80%.

Put the Futon cushion (F*2) on the futon Body (A)*2, Flip the Futon over so it is supported on its legs, the assembly is complete.



INSTRUCTIONS FOR USE

