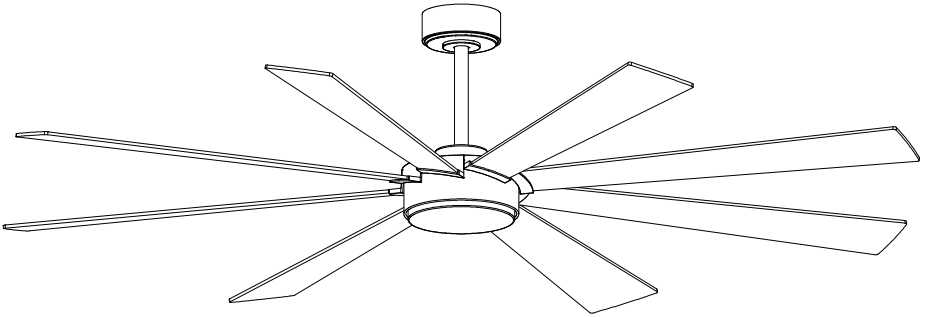


# Installation Instruction

## Luxury Decorative Ceiling Fan



**60/72 inch/Downrod\*3**

**PLEASE READ AND SAVE THESE INSTRUCTIONS**

## GET MORE SUPPORT

Should you experience any issues while operating any of our products ,you can directly reach out to our Customer Support Or you can send your inquiry to our Official Customer Support

### I 、 Precautions

Before using this ceiling fan with light, please read this manual carefully and operate strictly in accordance with the procedures.

- 1 The input voltage of this product: 120V/60Hz
- 2 If you have insufficient knowledge of electrical appliances, be sure to hire an experienced expert to install them.
- 3 Before installing and disassembling the ceiling fan light, please turn off the power first. The installation must be installed in the order of ground wire, live wire, and neutral wire. Before disassembly, it must be disassembled in the order of neutral wire, live wire and ground wire to avoid electric shock.
- 4 The ceiling fan must be installed on a solid ceiling, and the location of the ceiling fan must be able to withstand a gravity greater than 60 KG.
- 5 When installing the ceiling fan, all screws must be securely locked.
- 6 When the ceiling fan is rotating, no objects should touch the blades to avoid danger.
- 7 The angle and elevation of the leaf frame are determined after many repeated measurements, so it cannot be changed at will. When installing the leaf frame and blades, special care should be taken not to force collisions. If the angle and elevation angle of the leaf frame are deformed that will cause the ceiling fan to shake.

### II、 Prepare tools before installation:



Electrical  
Adhesive tape



14 open  
spanner



Slotted  
Screwdriver



Phillips  
screwdriver



Telescoping  
ladder



Pliers

### III、 Basic parameters

- 1 Voltage: 120V/60Hz
- 2 Motor power: 60"-35W /72"-50W
- 3 Speed : 6speed
- 4 Number of rotating leaves: 8 blades
- 5 Fan blade material: Plywood
- 6 Motor material: Pure copper wire winding and high-quality silicon steel stator, high efficiency, super quiet, energy saving.
- 7 Control method: Remote Control/ Wall Switch
- 8 Diameter: 60/72 inch
- 9 Reversible: YES

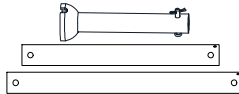
### IV、 Installation steps and instructions

#### 1 Ceiling Fan Kit

Before the ceiling fan is installed, there are the following accessories in the carton, please check them one by one, if there is no shortage, you can install it.



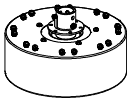
1\*Canopy+Mounting Bracket



3\*Downrod



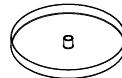
1\*Coupling cover



1\*Motor



8\*Blades



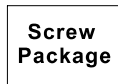
1\*Decorative cover



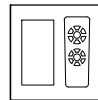
1\*Canopy cover



8\*Blade holder



1\*Screw package



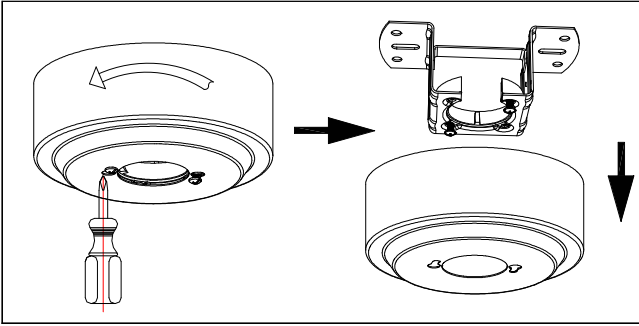
1\*Remote control  
1\*Receiver



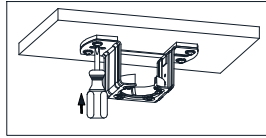
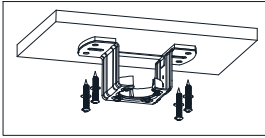
1\*Instruction

### V、 Mounting Bracket Fasten Method

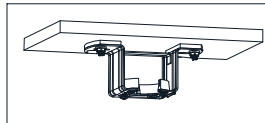
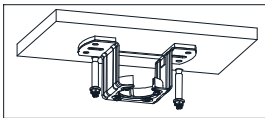
1. Loosen the two screws of the canopy component, and then separate the mounting bracket and canopy counterclockwise.



2. Wood ceiling: Drill the mounting bracket directly into the wood ceiling with wooscrews (4 pieces) or Use tools to fix the mounting bracket tightly.(The ceiling must bear.more than.60KG).



3. Concrete ceiling: First use an  $\varnothing 8\text{mm}$  hammer drill bit to drill the hole according to the length of the expansion screw, then use the equipped expansion screws (2 Pieces) to fix the bracket on the ceiling, and then tighten the nut of the expansion screw.

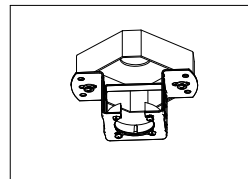
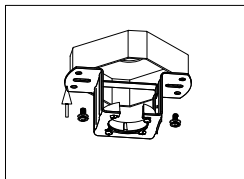
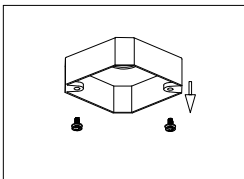


Please use 8mm drill hole before installing with M6 expansion screws

4.Install the hanger bracket to the outlet box

a. Take off the screws on the outlet box.

b.Install the hanger bracket to the outlet box by scews

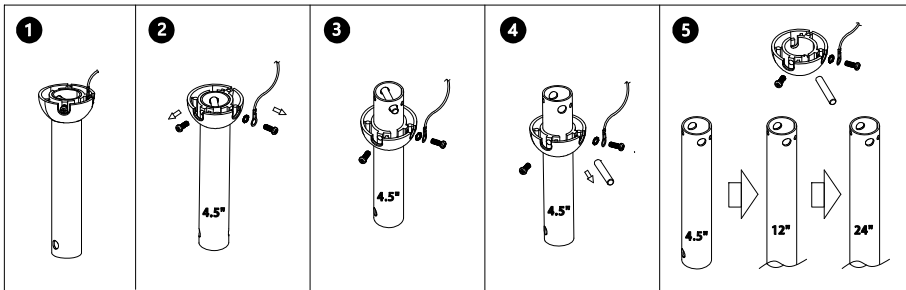


## VI. Suspension Installation

### 1. Select the downrod

- ①. There are three downrods of 4.5inch、12inch and 24inch in the package, customers can choose according to the height of the house.
- ②. The normal default is to install the 4.5inch downrod.
- ③. How to replace the 12 inch or 24 inch downrod:

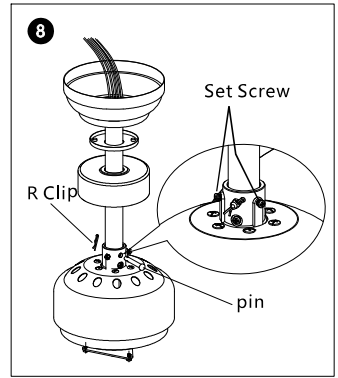
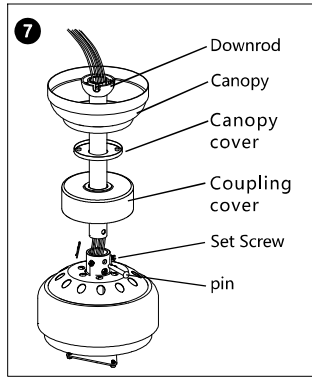
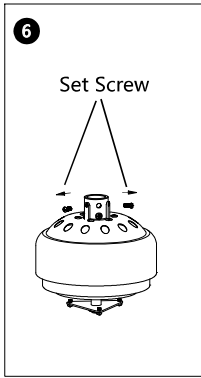
**Notice: Make sure the fan blades at least 7 feet above the floor**



- a. Loosen the two fixing screws (as shown in Figure 2).
- b. Push the downrod upwards (as shown in Figure 3) out of the horizontal tip (as shown in Figure 4).
- c. Then pull out the 4.5 inch downrod to replace another 12 inch downrod (as shown in Figure 5).
- d. After replacement, follow the above installation steps 4-3-2 to install until it is restored to the state shown in Figure 1.
- e. Finally, you must pay attention that the two fixing screws must be firmly locked.

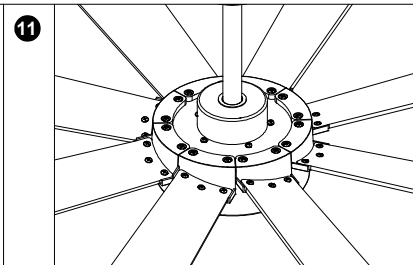
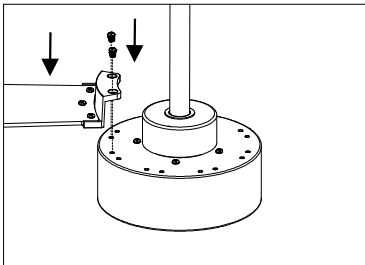
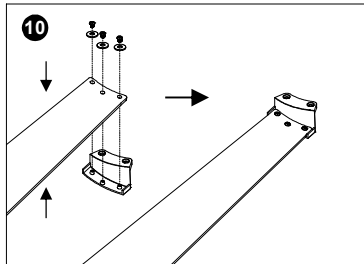
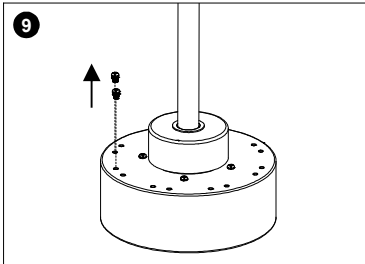
### 2. How to install Suspension Installation

- ①. Remove the positioning screws from the fan body as follows and place them side by side to proceed to the next step (Figure 6)
- ②. Get off the pin off the downrod by remove the R clip, and get the lead wire through the downrod and canopy, then seat the downrod into the fan body & rotate the downrod until the holes on the downrod will match with the holes on the fan body, finally, you should get the pin through the holes and fix the pin by the R clip in another side (Figure 7)
- ③. Tighten the two set screws removed previously.



## VII. Attaching Fan Blades

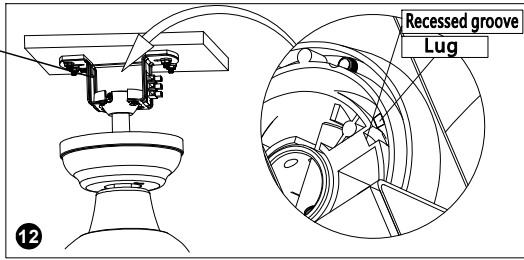
1. Take out the fan motor from package, then take off the blade screws from blade plate.(Figure 9)
2. Fix the blade frame onto the blade with screws. (Figure 10)
3. Install the fan blade components onto the motor in sequence.(Figure 11)



## VIII. Hang the fan

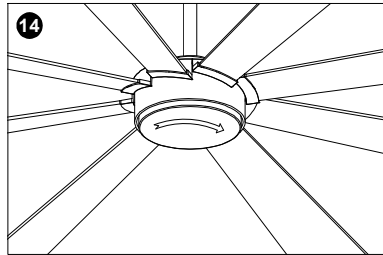
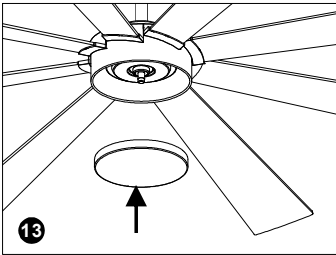
1. Hang the fan on the hanger, and then slowly rotate the fan downrod to make the lugs on the hanger fit with the groove of the hanging ball on the downrod. (Figure 12)

✘ The groove on the downrod ball must be exactly the same as the lug on the hanger.



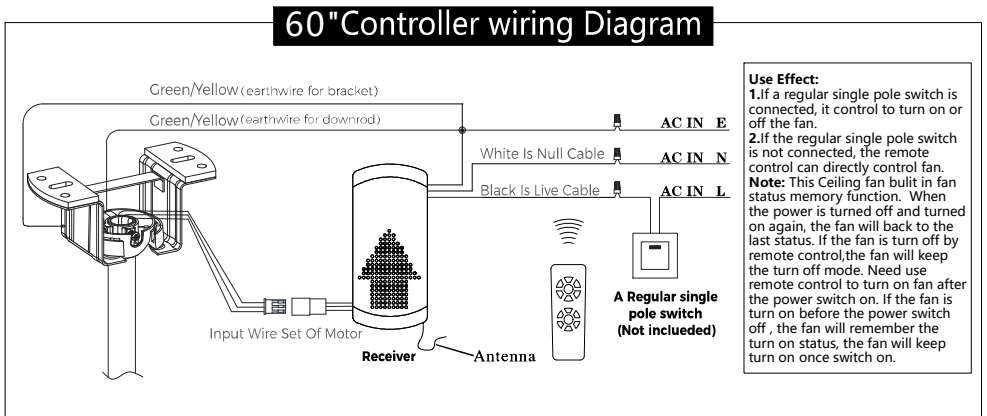
## IX. Install decorative cover

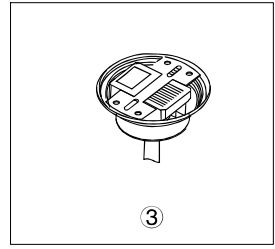
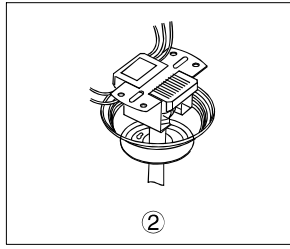
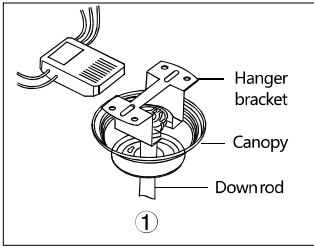
1. Rotate the decorative cover clockwise to the appropriate position. (Figure 13/14)



## X. Wiring

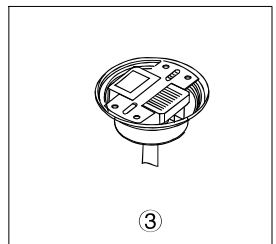
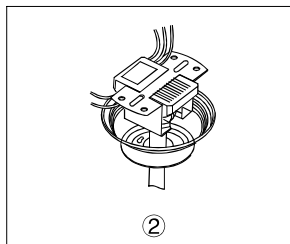
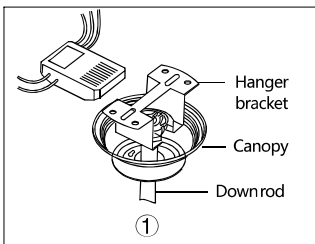
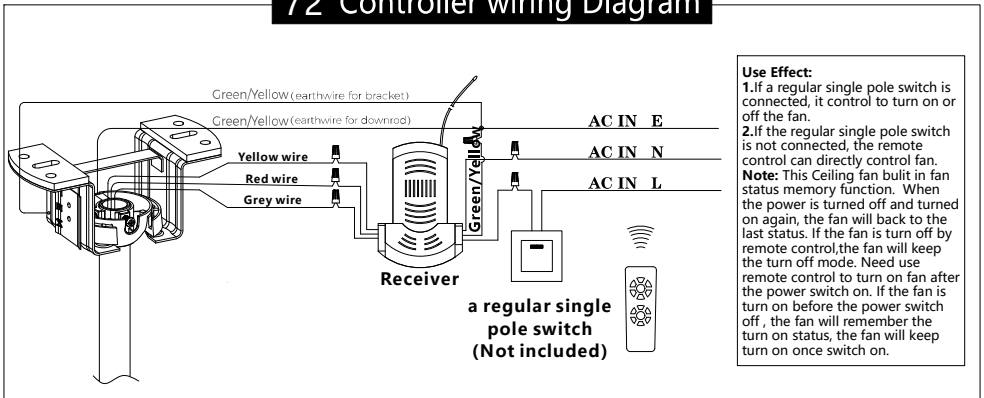
- ✘ The all-pole disconnect circle breaker with a contact distance of 3mm must be connected to the fixed wiring.





- a. Connect the ground wire from ceiling to two green/yellow wires from the mounting bracket and hanger ball on the downrod.
  - b. Connect the neutral wire from ceiling to receiver white wire (AC IN N).
  - c. Connect the live wire from ceiling to receiver black wire (AC IN L).
  - d. Plug in the motor wires in the correct way as indicated in the diagram.
- Note: The slotted side of the plug face the slotted side of the socket.

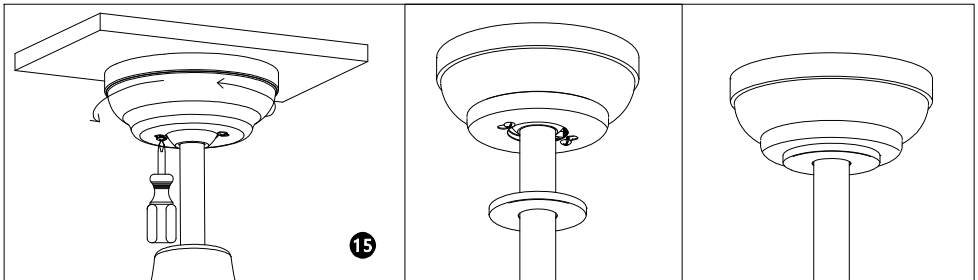
## 72" Controller wiring Diagram



- a. Connect the ground wire from ceiling to two green/yellow wires from the mounting bracket and hanger ball on the downrod.
  - b. Connect the neutral wire from ceiling to receiver white wire (AC IN N).
  - c. Connect the live wire from ceiling to receiver black wire (AC IN L).
  - d. Connect the grey wire from motor to grey wire from receiver.
  - e. Connect the red wire from motor to red wire from receiver.
  - f. Connect the yellow wire from motor to yellow wire from receiver.
- Note: The slotted side of the plug face the slotted side of the socket.

## XI . Canopy Installation

After wiring, please loosen the two screws pre-installed on the mounting bracket to match the two holes on the canopy (Figure 15)

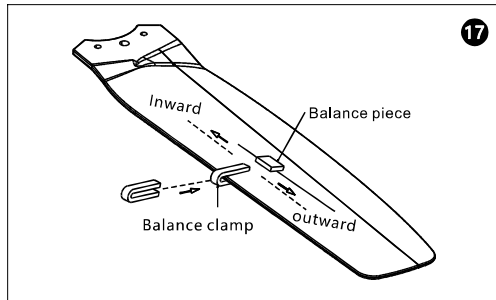
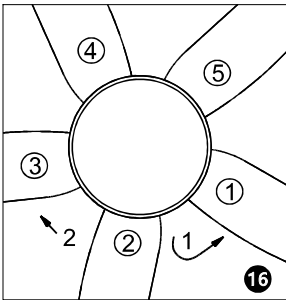


## XII .Balance adjustment method of ceiling fan.

If there is any wobble after ceiling fan installation, please confirm whether the screws that fix the hanger ball, mounting bracket, hanger, blade bolder, and blade are locked. If one of the above parts is not locked, please re-lock it. If it is locked, please adjust it as follows.

1. Change the position of the fan blades:

- a. There is no improvement after the swap blades position. Please remove the fan blades 2 and 3 and re-lock each other to observe the effect



## 2. Adjust with balance kit.

- a. Take out the balance bag from the package box, use a balance clamp to select one of the fan blades and clamp the balance clamp on the edge of the tail end of the fan blade (Figure 17)
- b. Turn on the fan switch to see whether the wobble of the ceiling fan has been reduced. If it does not improve, try another fan blade. Experiment with all the fan blades in turn to find the blade with the weakest clamping balance.
- c. Clamp the balance clamp on the fan blade with the weakest wobble, move it in or out on the edge of the fan blade, turn on the ceiling fan to find the best position of the balance clamp to control the wobble balance (Figure 17)
- d. Take the balance sticker, tear off the double-sided tape of the balance sticker, and stick the balance sticker on the center of the blade at the position of the balance clip (Figure 17)

## XIII .Precautions

### Warning

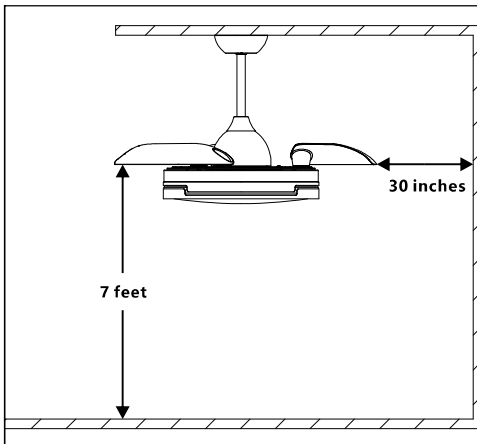
In order to prevent fire and electric shock, it is forbidden to install and use the electric switch which is not equipped with this ceiling fan.

### Maintenance and repair of ceiling fans

1. It is recommended to check the connecting parts of the fan at least once a year, such as the hanger, the hanging pipe fastening screw and the fan blade, to ensure that their connection is still safe and reliable.
2. Clean the ceiling fan regularly to keep the surface clean and clean. When removing surface dust, please use a soft brush or cloth. When removing oil or laminate, wipe it off with a slightly wet cloth. Do not rinse with water directly.
3. Motor bearing is already provided with grease, do not add lubricating oil to the motor of ceiling fan. To avoid scratching the surface.

## XIV. Ceiling Fan Troubleshooting Solutions & Common Problems

<b>Can't start</b>	1. Check whether the fuse of the external power line of the ceiling fan is blown, whether the automatic protection switch is tripped and the circuit is broken.
	2. Check whether the voltage is seriously lower than the rated voltage of the ceiling fan.
	3. Check whether the internal wiring of the ceiling fan is loose or has poor contact.
<b>Noise</b>	1. Ensure the ceiling fan is not severely impacted before installation
	2. Make sure that the hanging pipe connecting bolt is installed correctly and the hanging pipe solenoid is locked.
	3. The new ceiling fan allows a 24-hour "trial period", after the trial period, most of the ceiling fan noise will disappear.
	4. It is not recommended to install on wooden ceilings, steel structures or prefabricated panels, as this will amplify the sound.
<b>The lamp is defective</b>	1. Check whether the connection wire of the lamp is loose.
	2. Check whether the light switch is damaged, the wire end is loose or the contact is poor.
	3. Check whether the light source is burned out
<b>Fan wobble</b>	1. Check whether the mounting bracket is locked
	2. Check if the screw of the lock blade is locked
	3. Check whether the screw of the blade retracted to the motor is locked
	4. Can it be installed on the inclined ceiling? Yes, pay attention to the inclination angle not exceeding 15 degrees (pay attention to whether the hanger ball will press the fan receiver)



Ensure the blades will be at least 30 in. from any obstructions. Also check the downrod length to ensure the blades will be at least 7 ft. above the floor.

**Notice:** Make sure the fan blades at least 7 feet above the floor