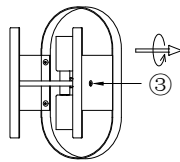
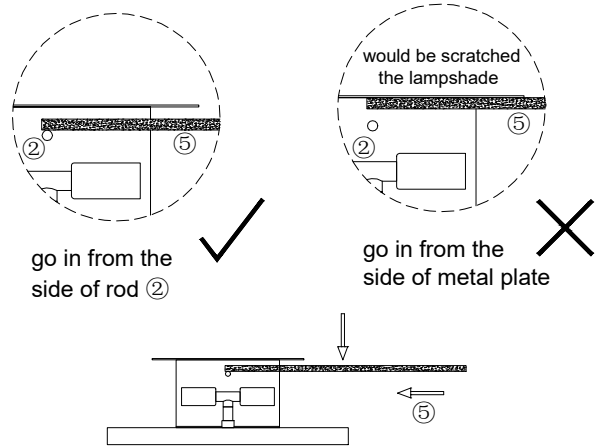


| | | | | | |
|------------------|--|---|----------------------|--------|--------|
| ① ② ③ ④ | | ⑤ | marble lampshade | X 3pcs | X 3pcs |
| | | | | X 2pcs | X 3pcs |
| | | | | X 1pcs | X 3pcs |
| | | | | | |

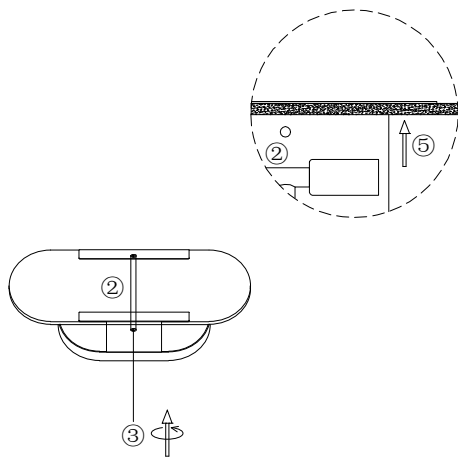
Please operate with gloves to avoid leaving stains on the lamp.



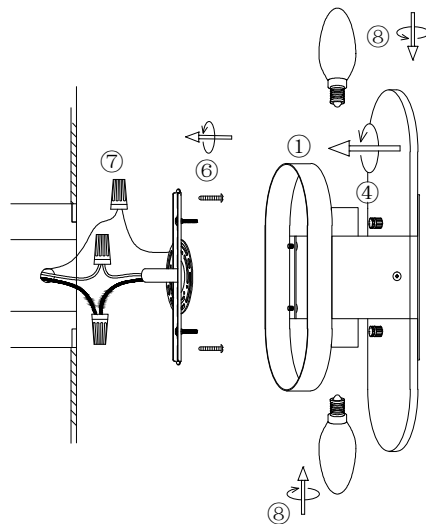
1. Rotate to loosen the screw ③ but don't remove out. (keep distant for the marble lampshade ⑤.)



2. Insert the marble lampshade ⑤ in the fixture from direction of the rod ②.



3. Adjust the marble lampshade to suitable position and fasten it to the metal plate with screw ③. (could not move the lampshade any more when fasten the screw ③, to avoid scratched it.)



4. Install the bracket to the wall junction box with screw ⑥.
 5. Connect the wire to the home line with cap connector ⑦.
 6. Install the fixture to the bracket with cap nut ④.
 7. Install the bulb ⑧.

B9083-2

Please read carefully before installation!!!

Note : Please make sure that the electricity is powered off during installation !

Only a professional electrician should install this kind of product !