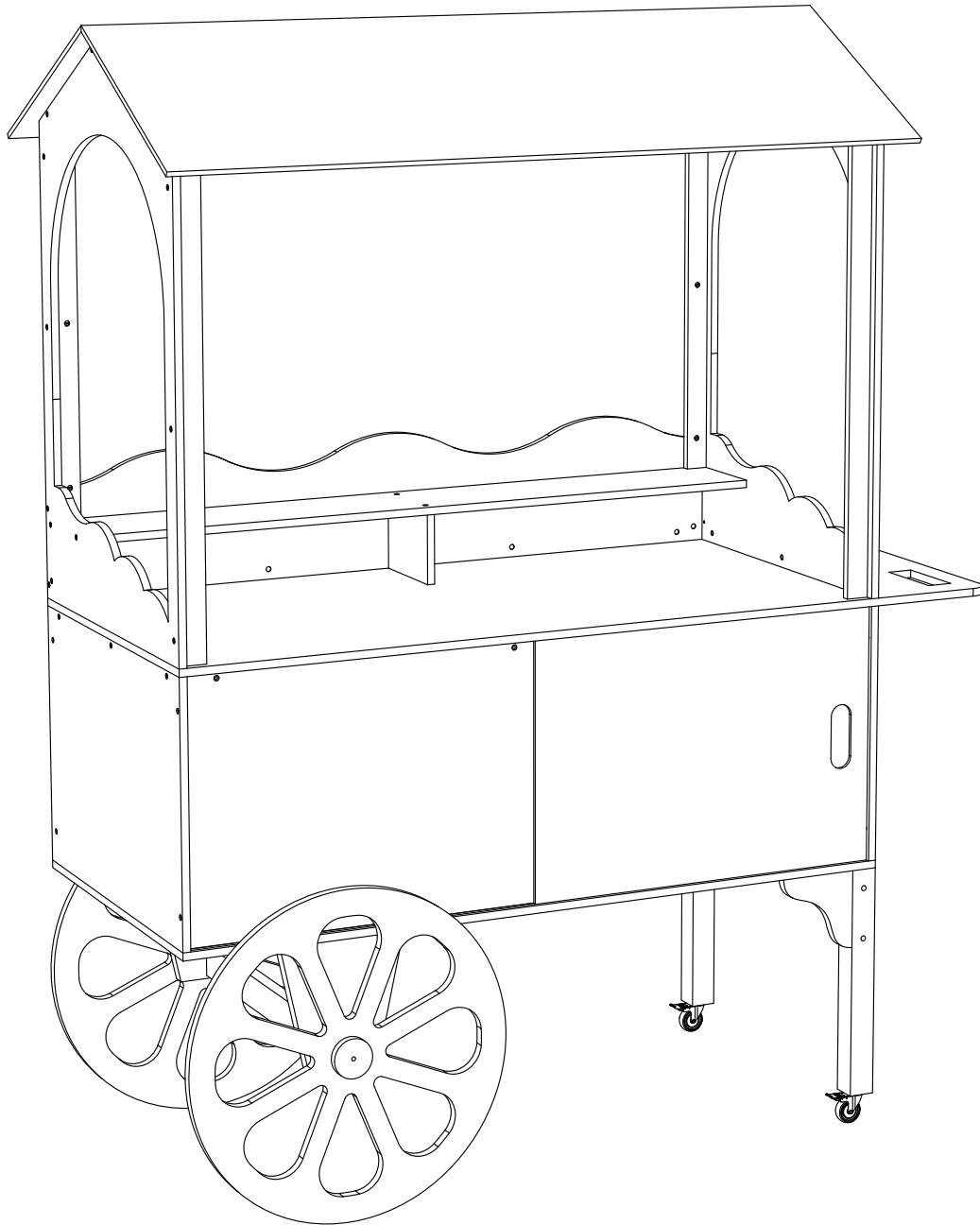
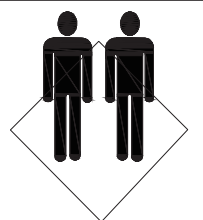


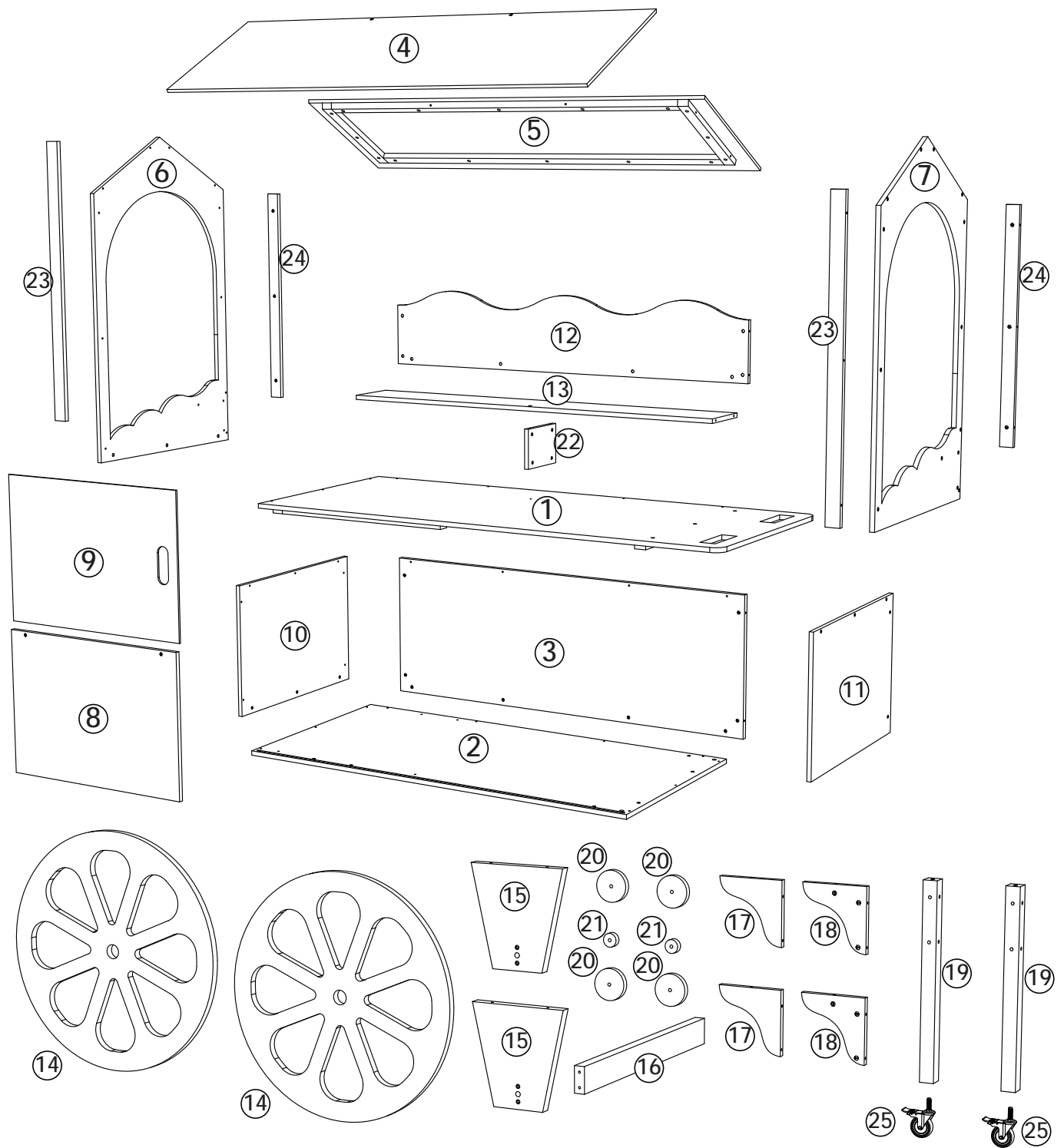
Assembly Instructions





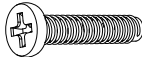
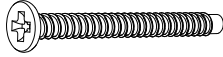
All necessary tools for assembly are included
but for faster assembly, a power drill is recommended



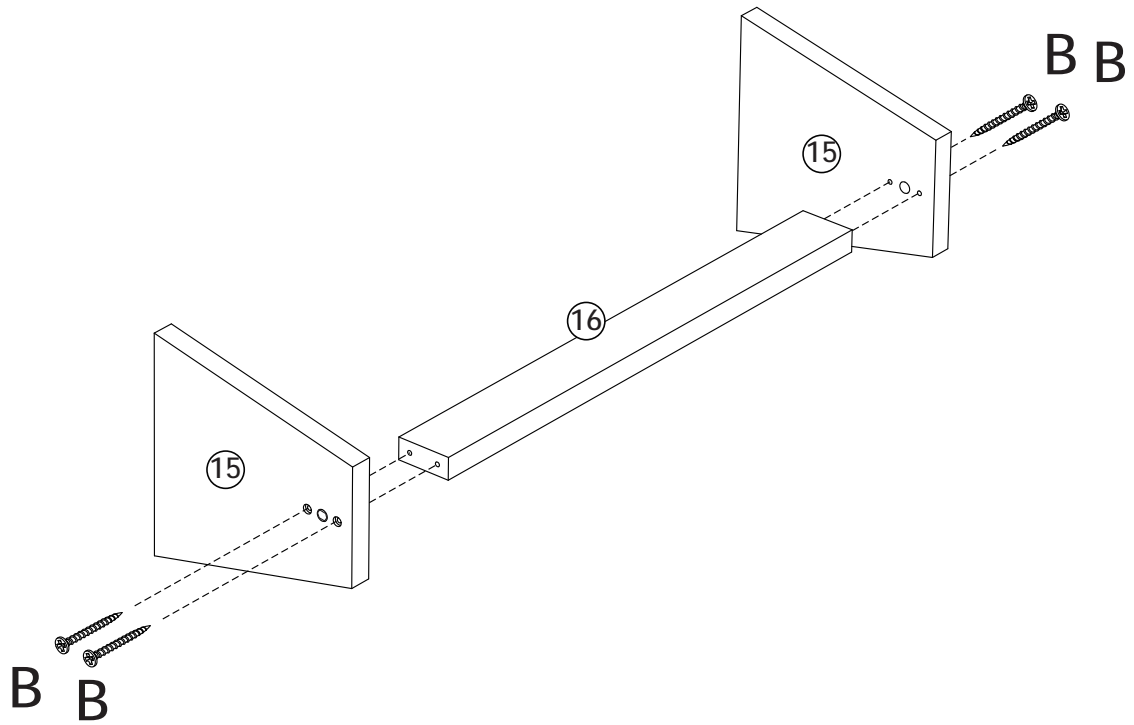
ASSEMBLED BY 2ADULTS




Hardware List

ITEM	PART	QTY		ITEM	PART	QTY
A	 M3.5×35	90+3PCS		B	 M4×50	4+1PCS
C	 M8×30	2PCS		D	 M6×65	2PCS

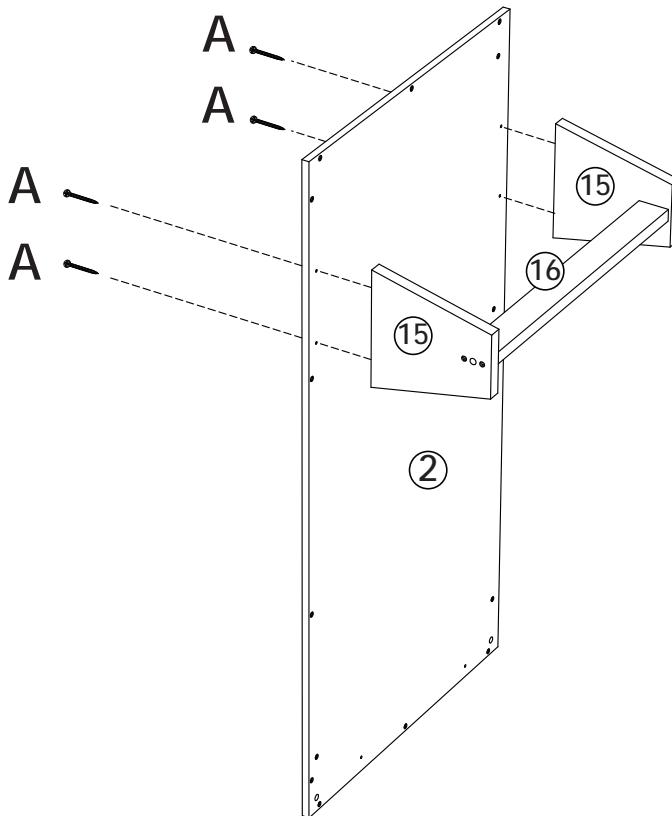
1




Attach Part #15 and Part #16 together with screws Bx 4 as shown.
Make sure to position the side with the hexagonal holes facing outward.

B	x4
	

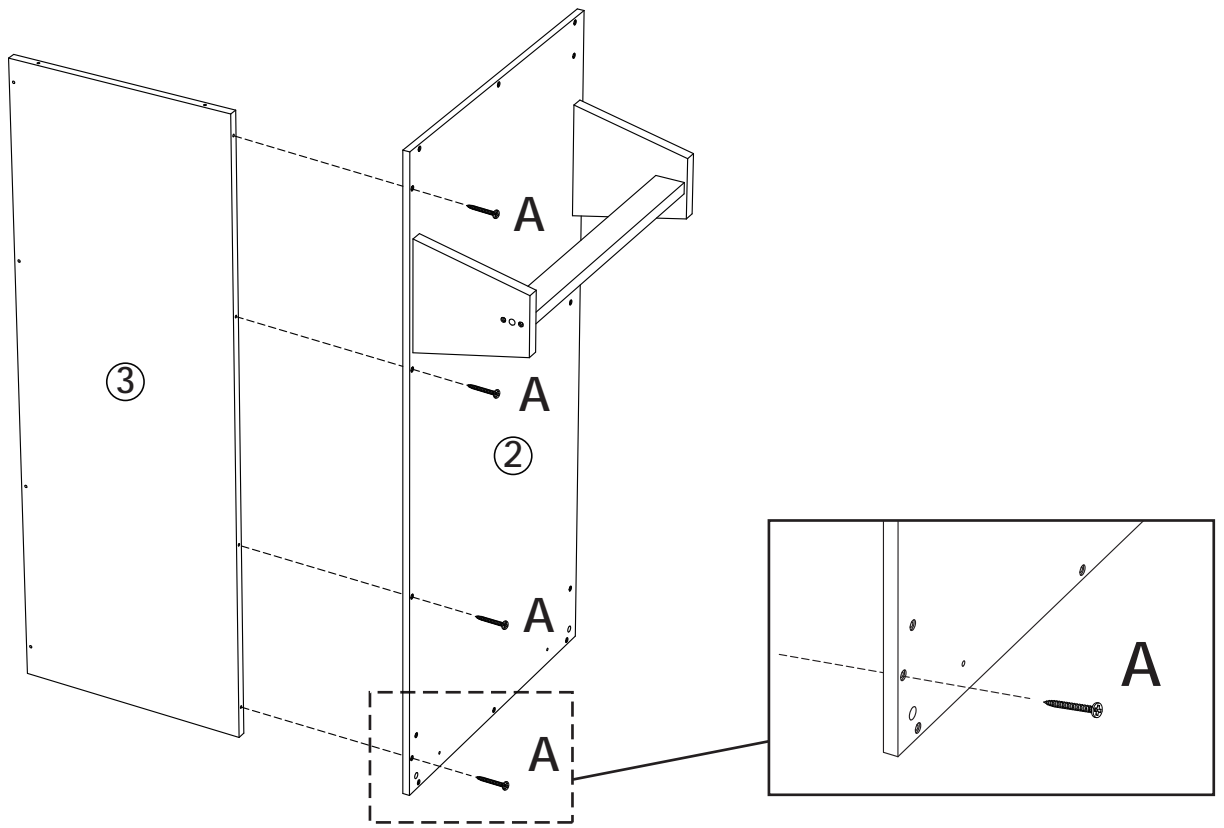
2




Attach Part #2 to the unit with screws Ax 4 as shown.

A	x4
	

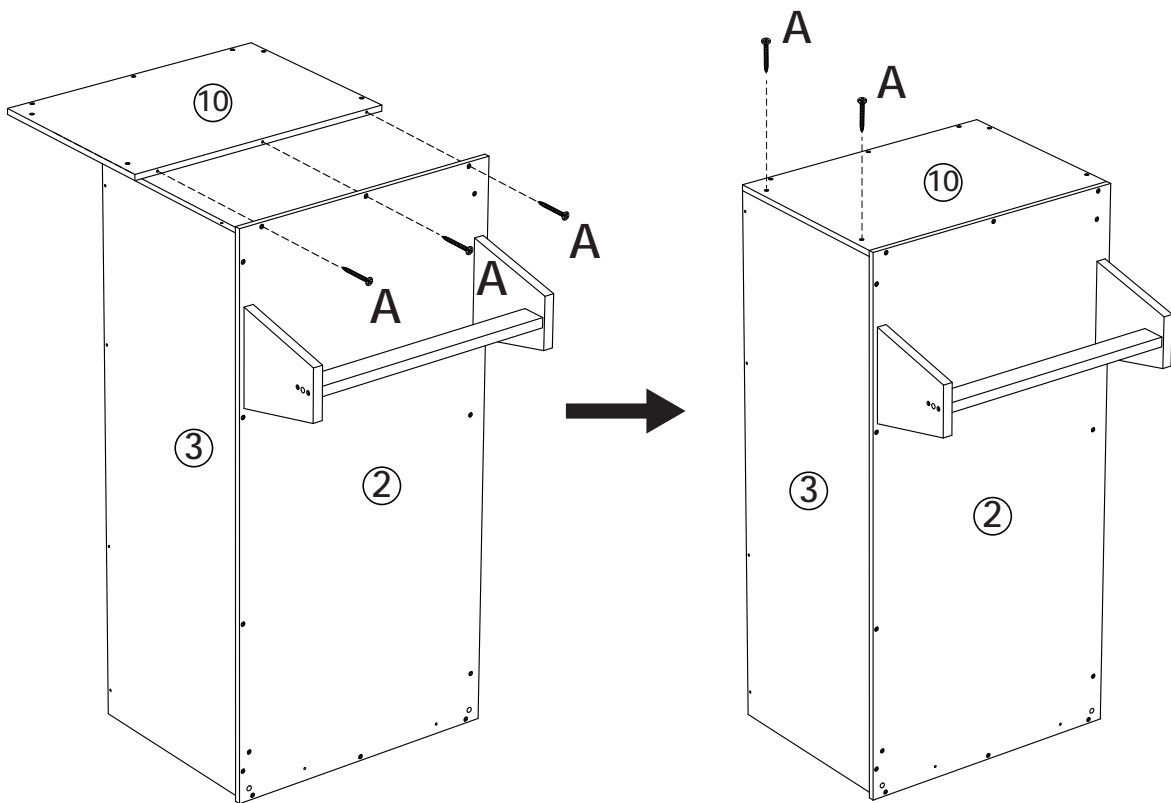
3




A	×4
	

Attach Part #3 to the unit from step 2 with screws Ax 4 as shown.

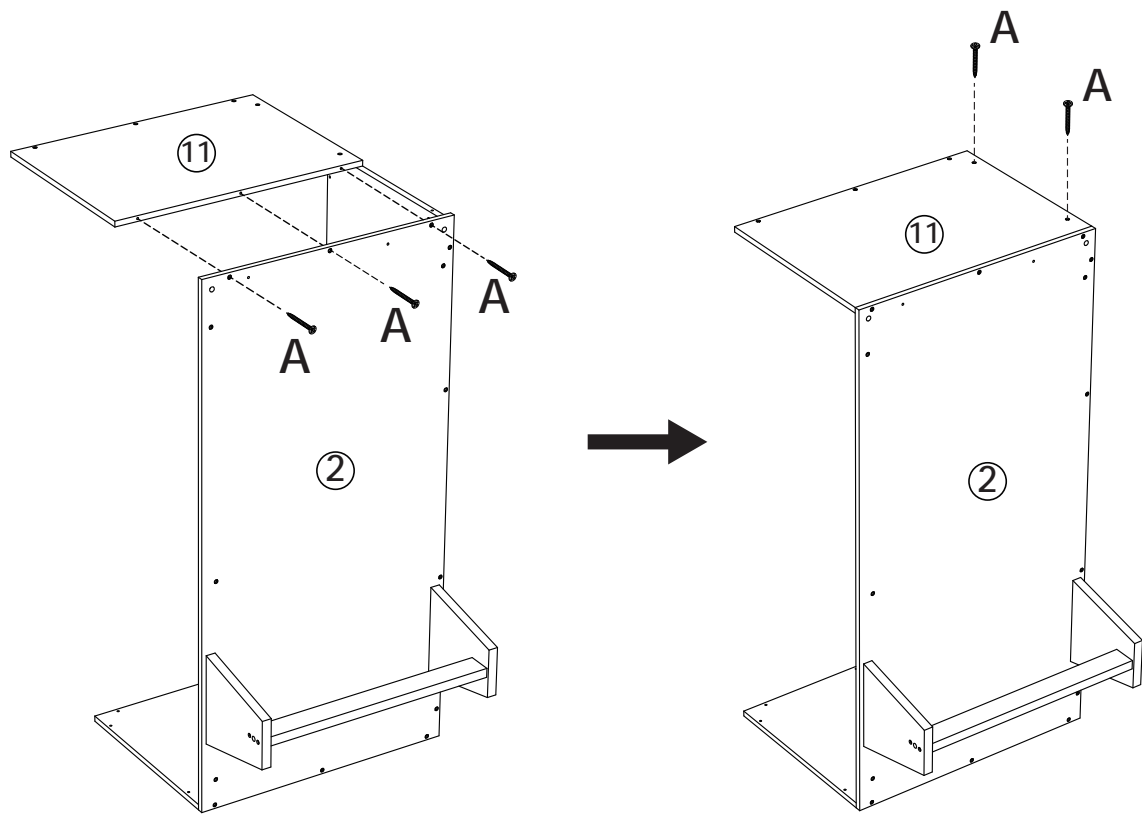
4



A	×5
	

Attach Part #10 to the unit from step 3 with screws Ax 5 as shown.

5

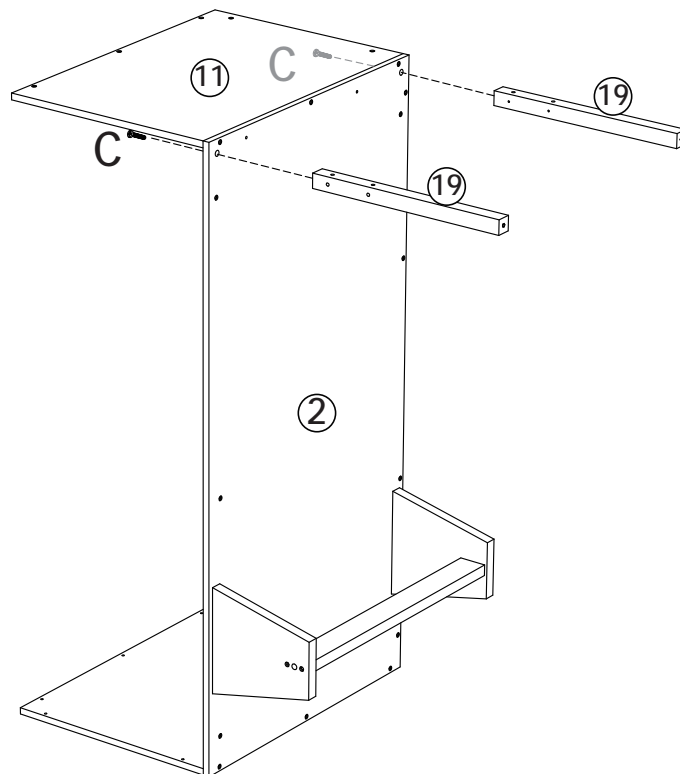


Attach Part #11 to the unit from step 4 with screws Ax 5 as shown.

A	x5
---	----



6

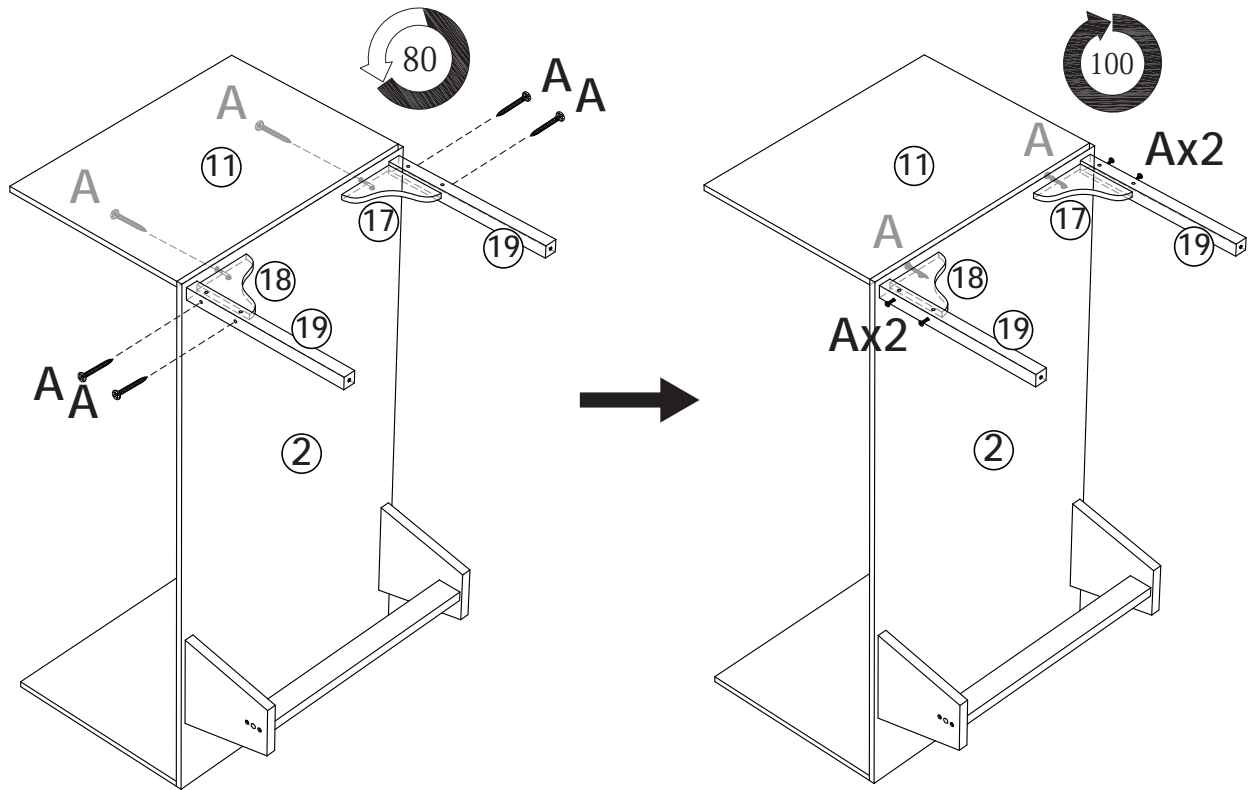


Attach legs #19 to the unit from step 5 with screws Cx 2 as shown.
Make sure that the larger holes on each leg always face outward.

C	x2
---	----




7

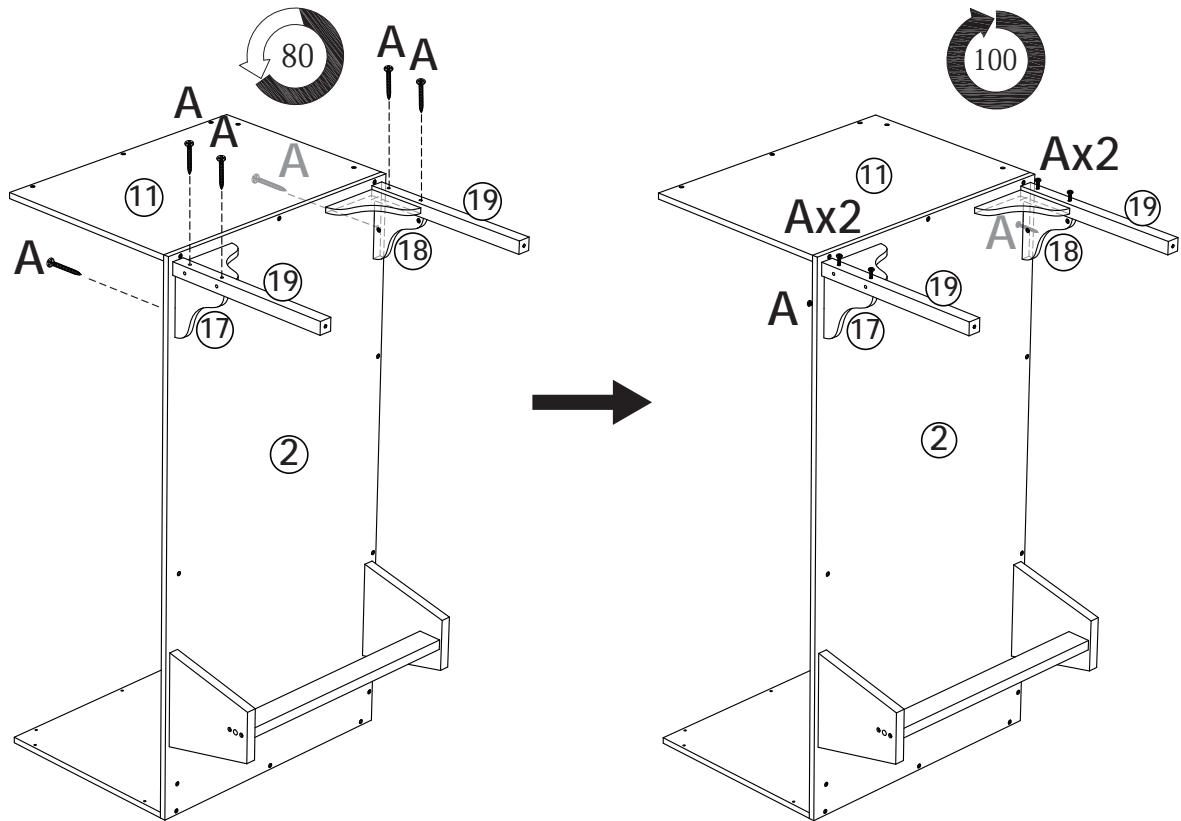


Attach Part #17 & Part #18 with screws Ax 6 as shown.

Attn: Position all six screws first, then tighten them one by one.


A	x6
	

8

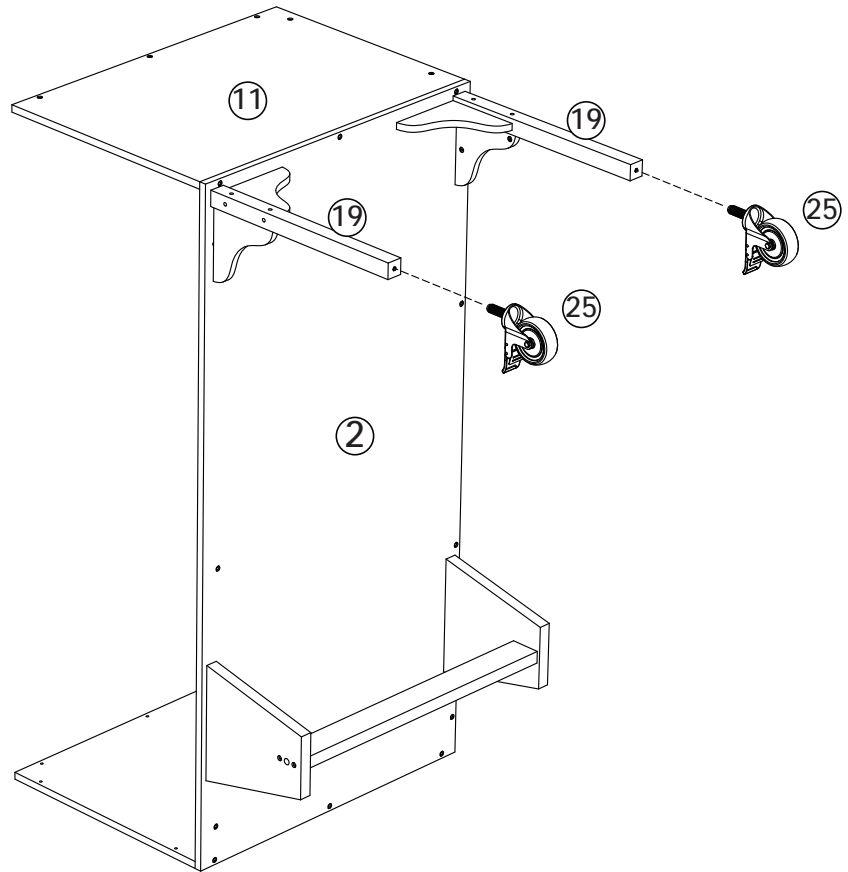


Attach Part #17 & Part #18 with screws Ax 6 as shown.

Attn: Position all six screws first, then tighten them one by one.

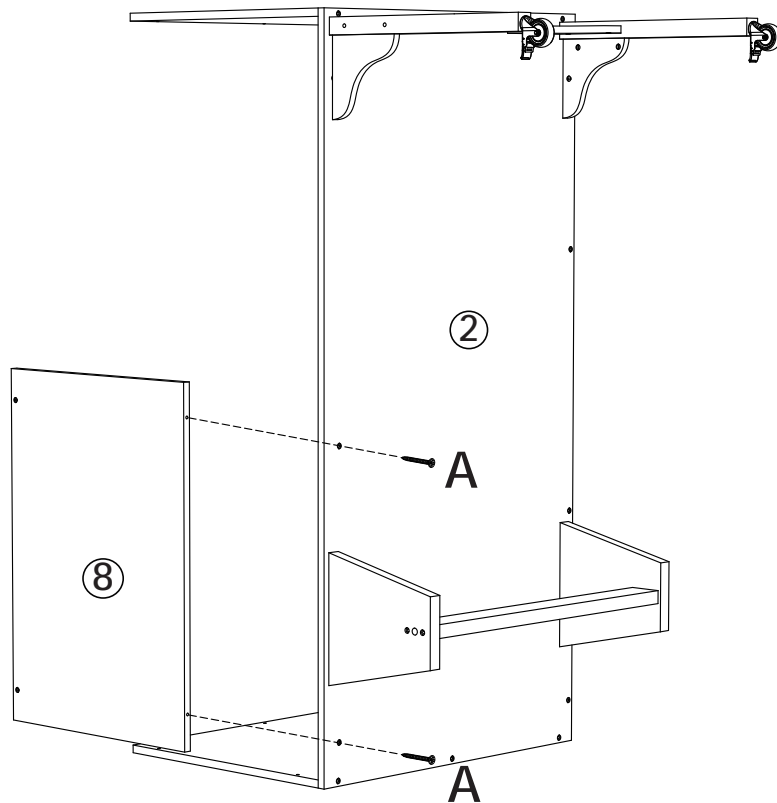
A	x6
	

9




Attach the 2 wheels #25 to the 2 legs as shown.

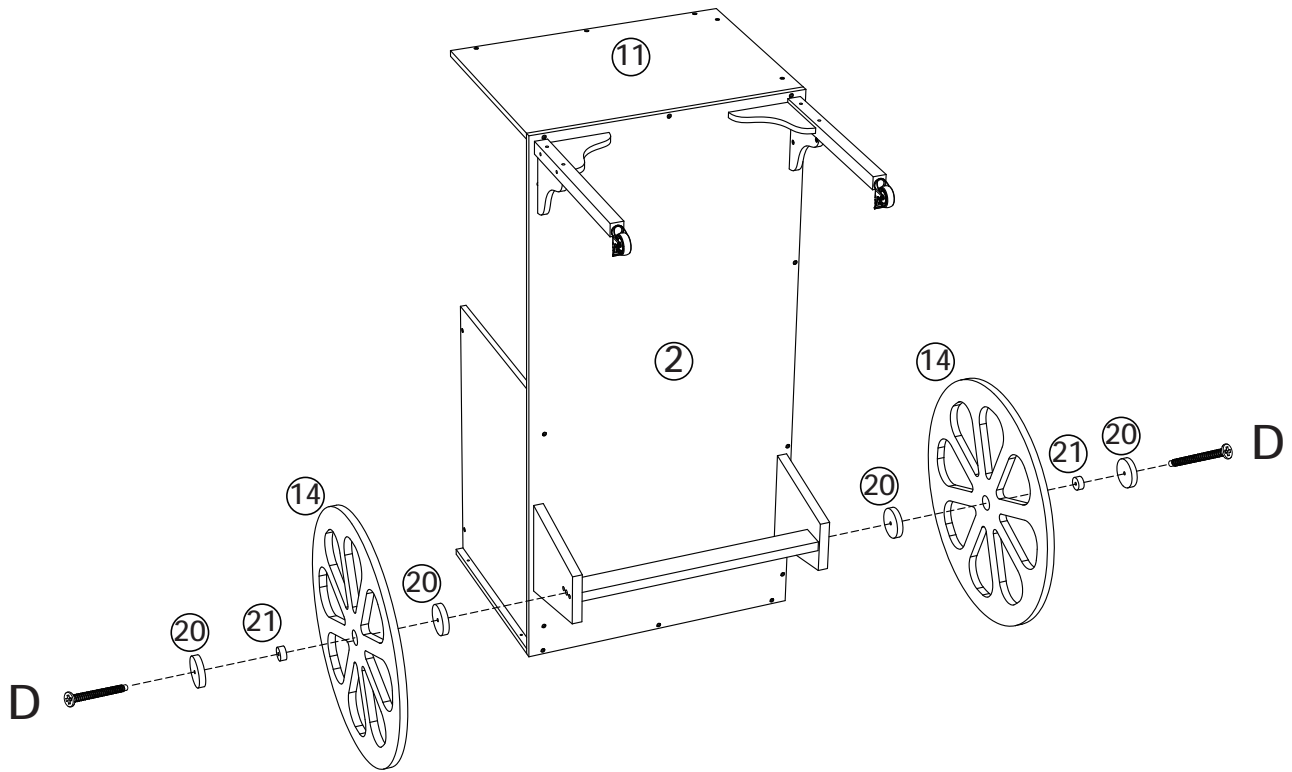
10




Attach Part #8 to the unit from step 9 with screws Ax 2 as shown.

A	x2
	

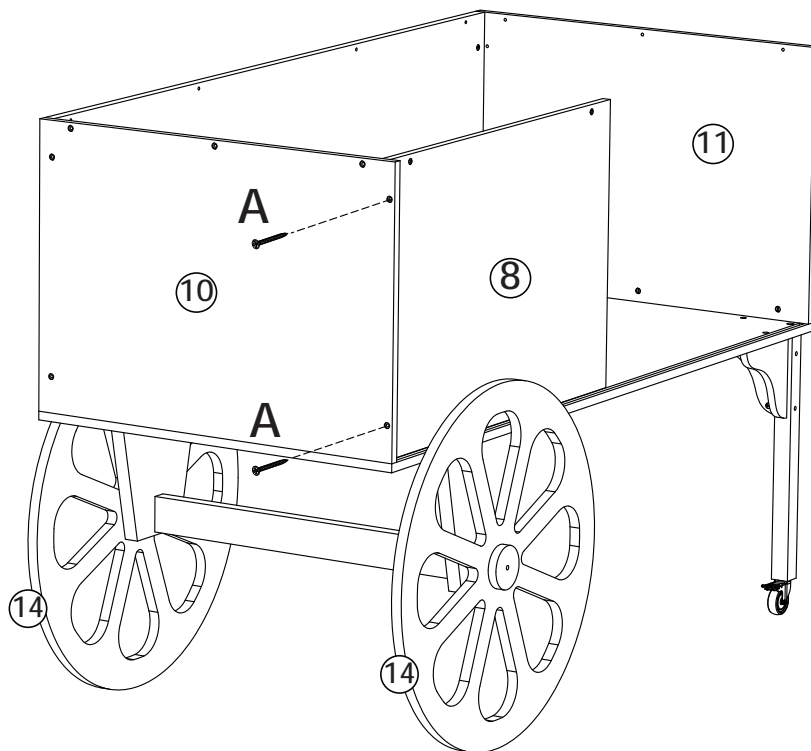
11




Align Part #14, Part #20 and Part #21 as shown.
Insert Part #21 into the central hole of Part #14.
Attach 2 Parts #20 closely to both sides of Part #14.
Fix these components together with screws Dx 2 as shown.

D	x2
	

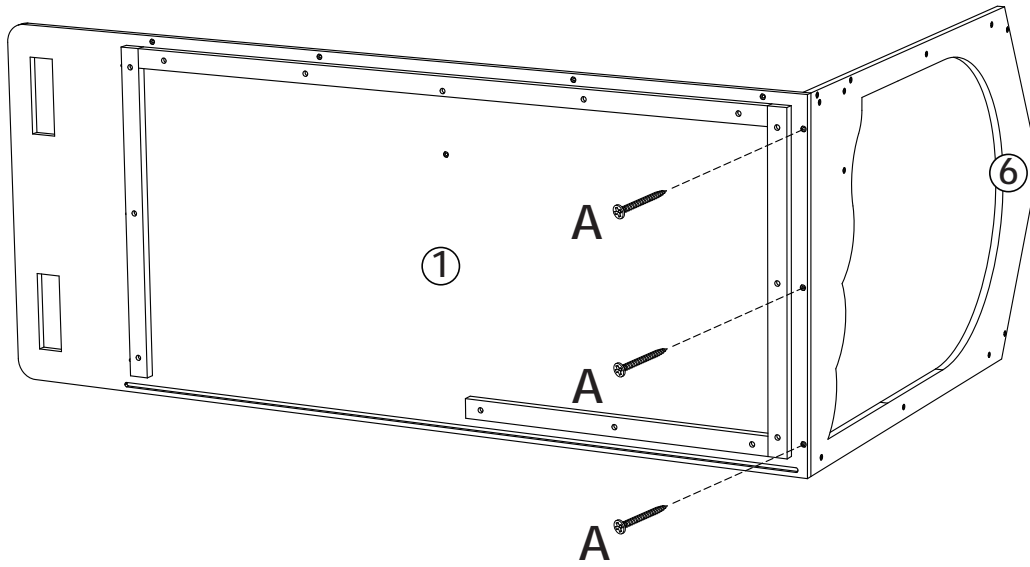
12




Attach Part #8 to the unit from step 11 with screws Ax 2 as shown.

A	x2
	

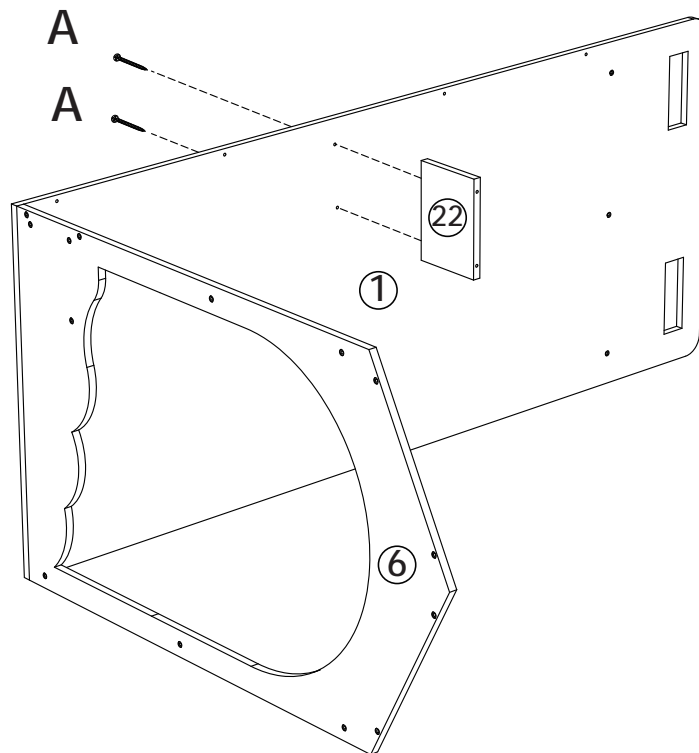
13




A	x3
	

Attach Part #6 to Part #1 with screws Ax 3 as shown.

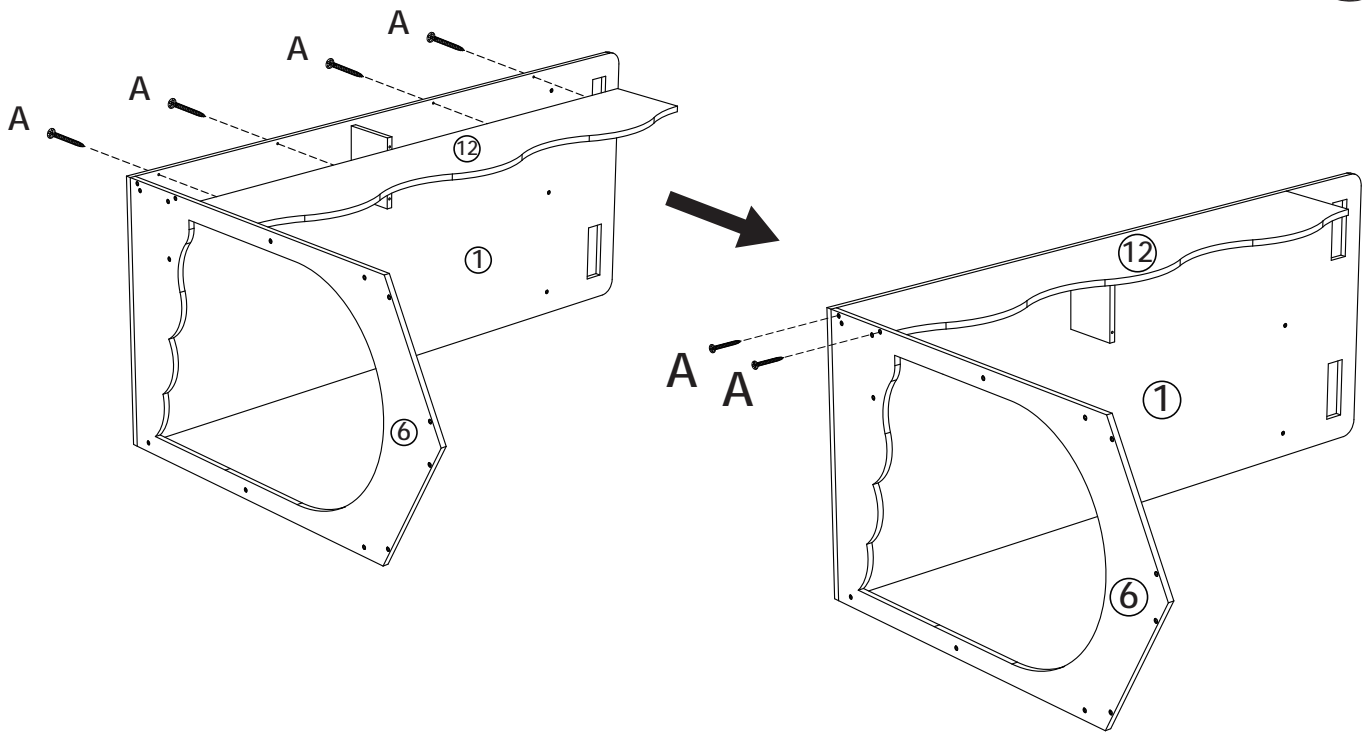
14



A	x2
	

Attach Part #22 to Part #1 with screws Ax 2 as shown.

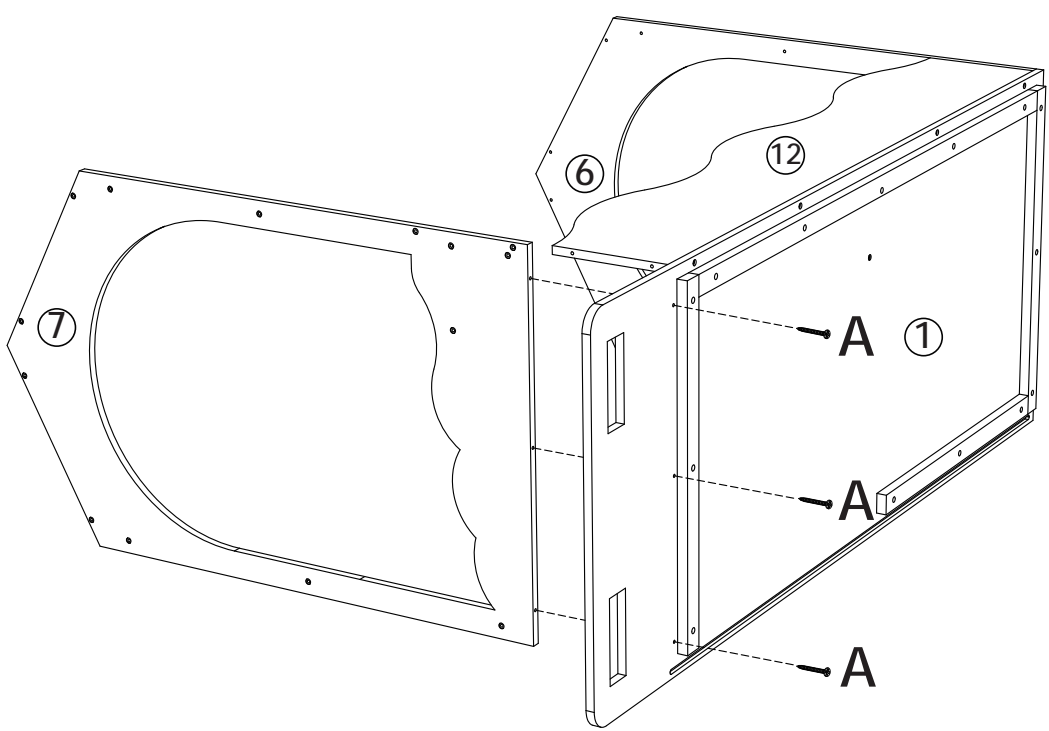
15



Attach Part #12 to the unit from step 14 with screws Ax 6 as shown.
Don't fully tighten the screws until step 19.

A	x6

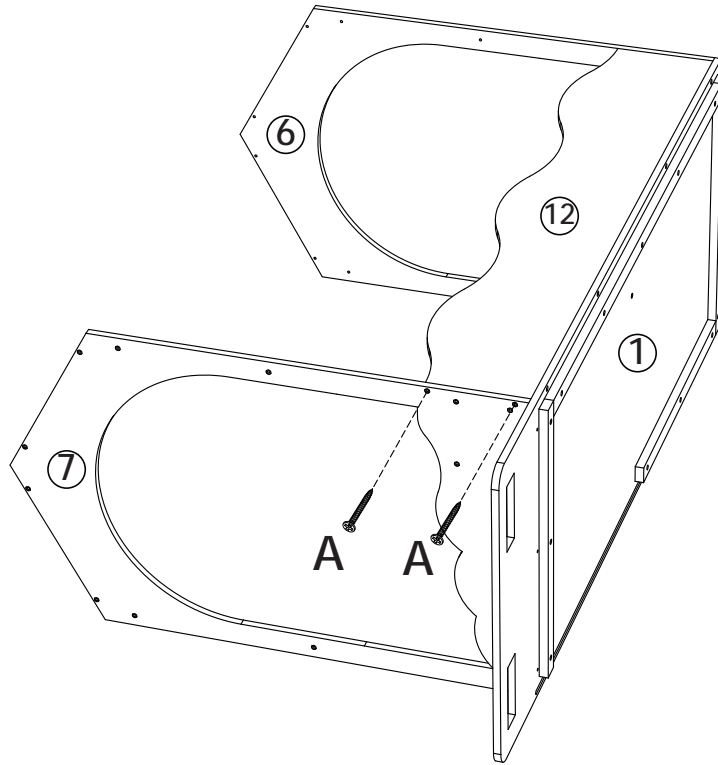
16




Attach Part #7 to the unit from step 15 with screws Ax 3 as shown.

A	x3

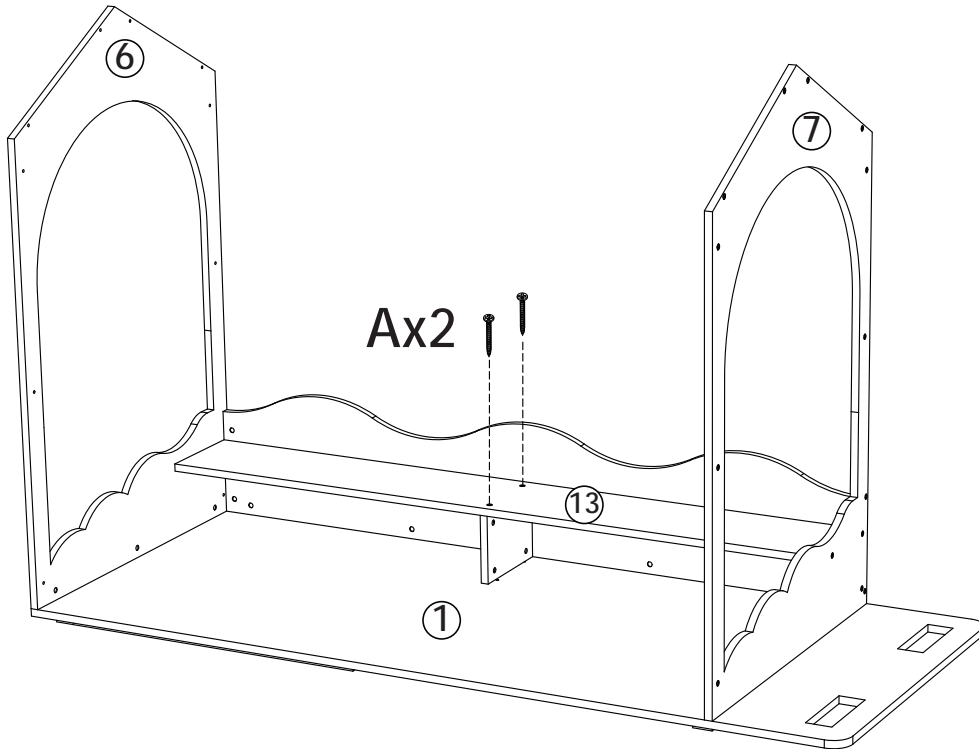
17




A	x2
	

Attach Part #7 to Part #12 with screws Ax 2 as shown.

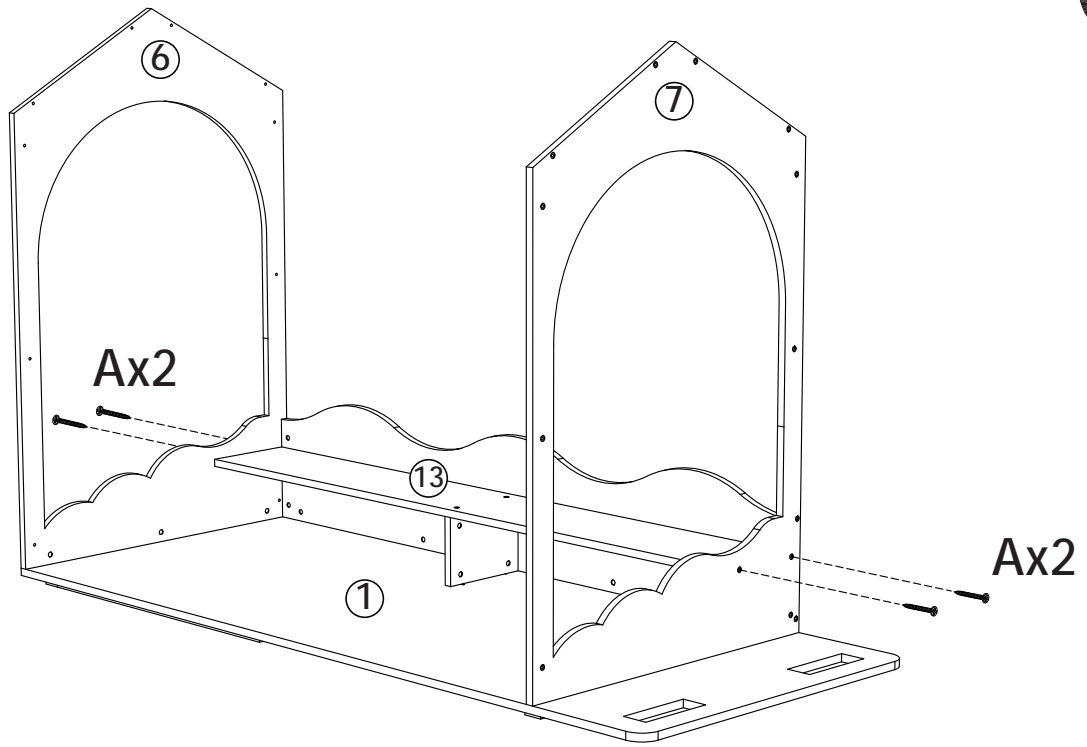
18




A	x2
	

Attach Part #13 to the unit from step 17 with screws Ax 2 as shown.

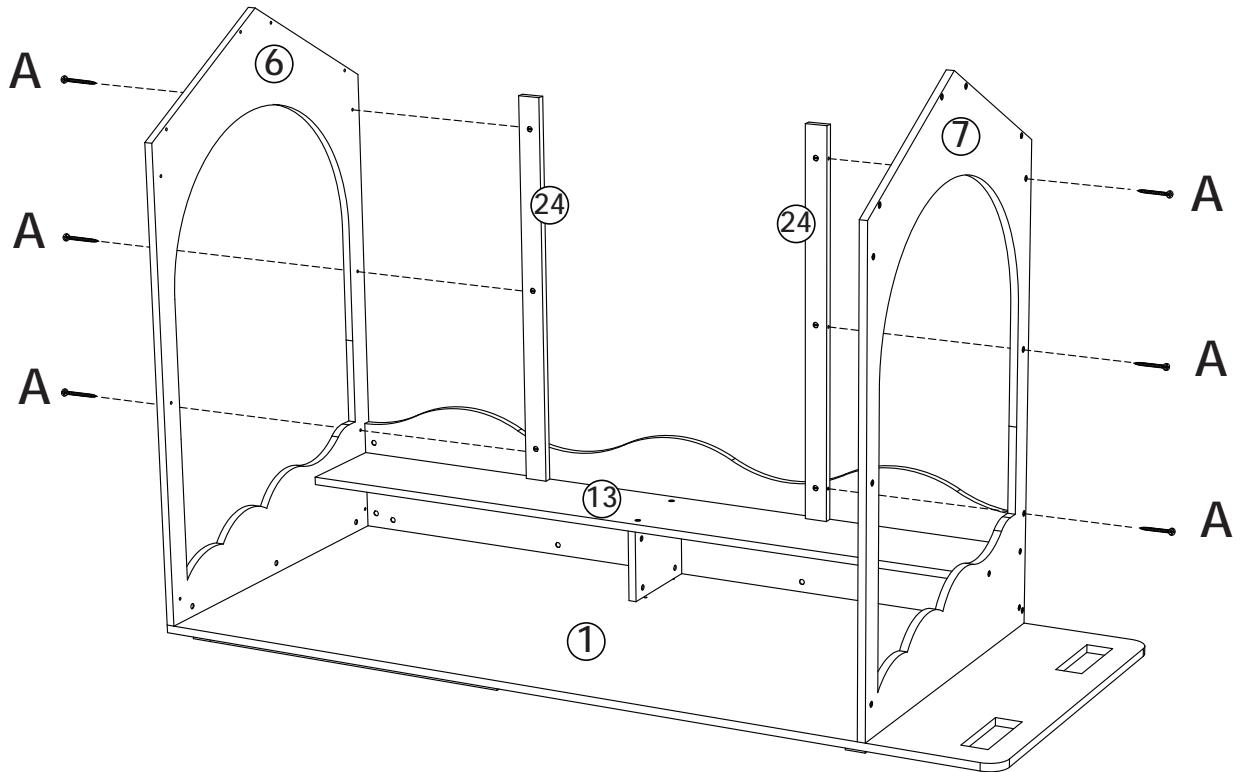
19




Attach Part #13 to the unit from step 18 with other screws Ax 4 as shown. Then fully tighten all screws A from step 15.

A	x4
	

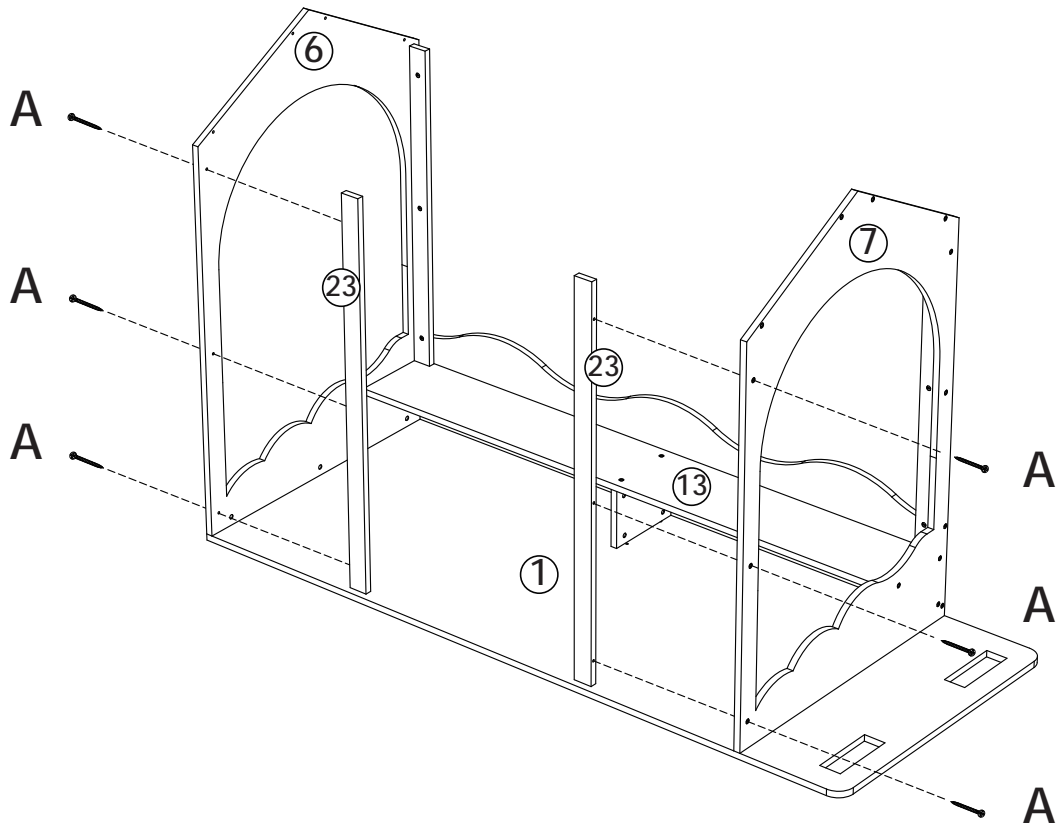
20




Attach Part #24x 2 to Part #6 and Part #7 with screws Ax 6 as shown.

A	x6
	

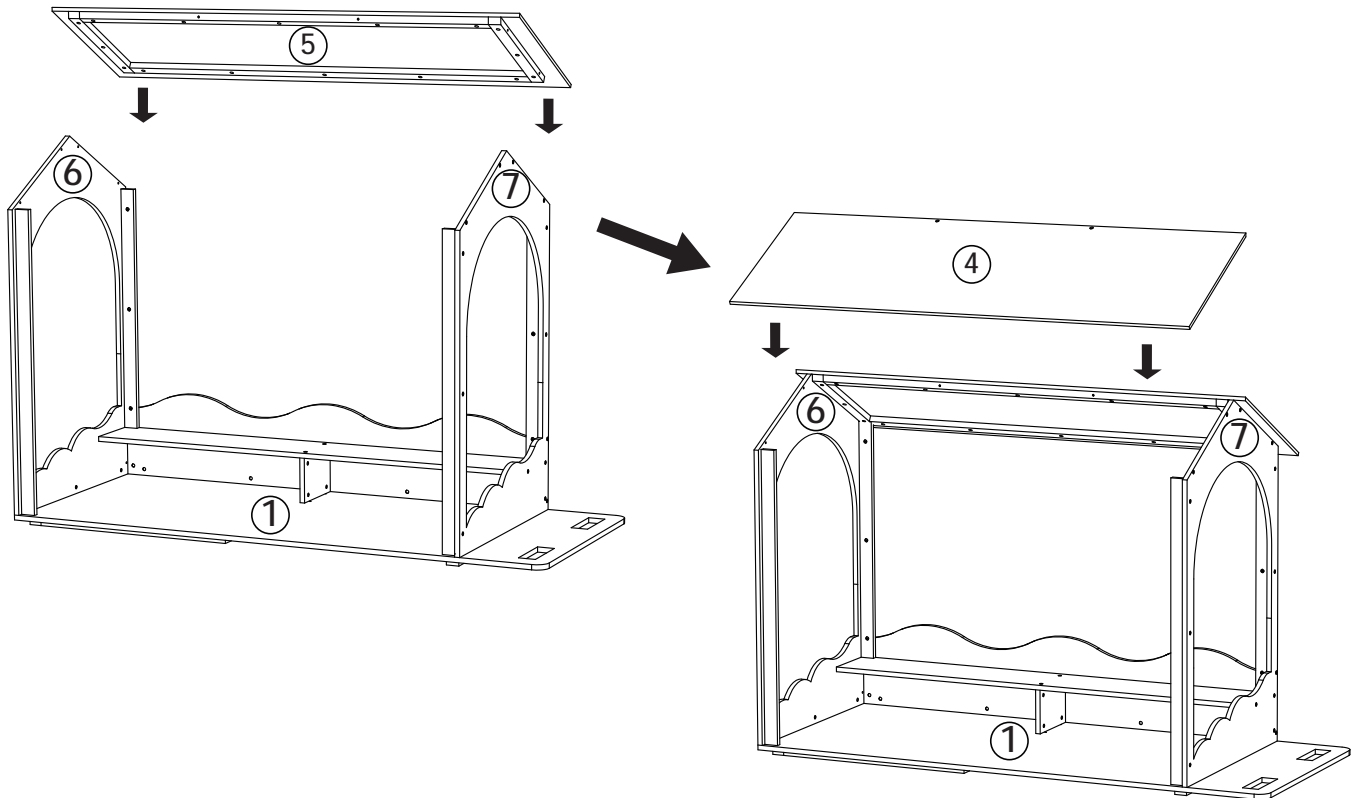
21



Attach Part #23x 2 to the front side of Part #6 and Part #7 with screws Ax 6 as shown.

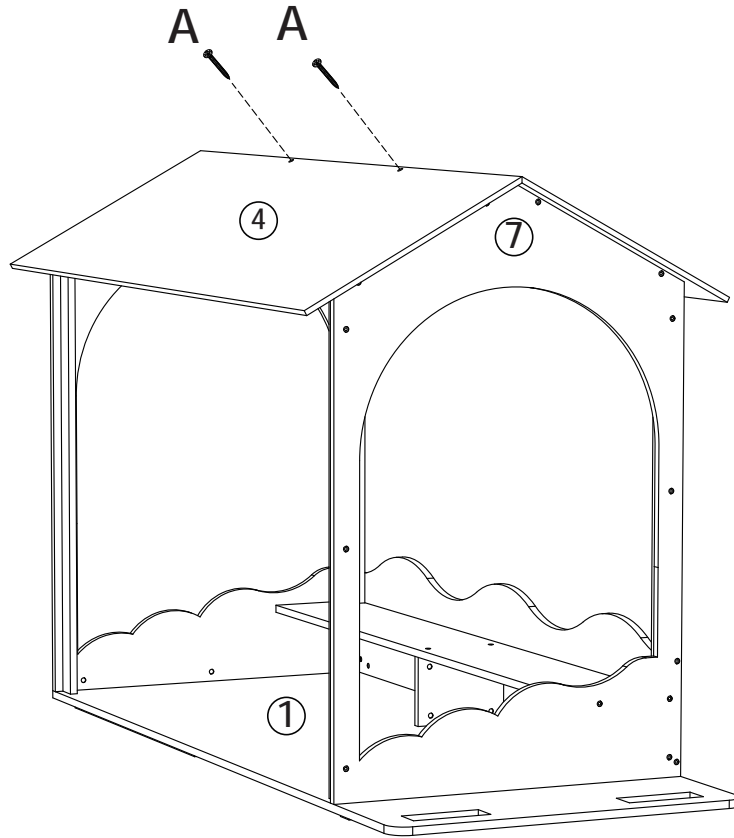
A	x6
	

22




Place Part #5 and Part #4 one after another above the unit from step 21 as shown.

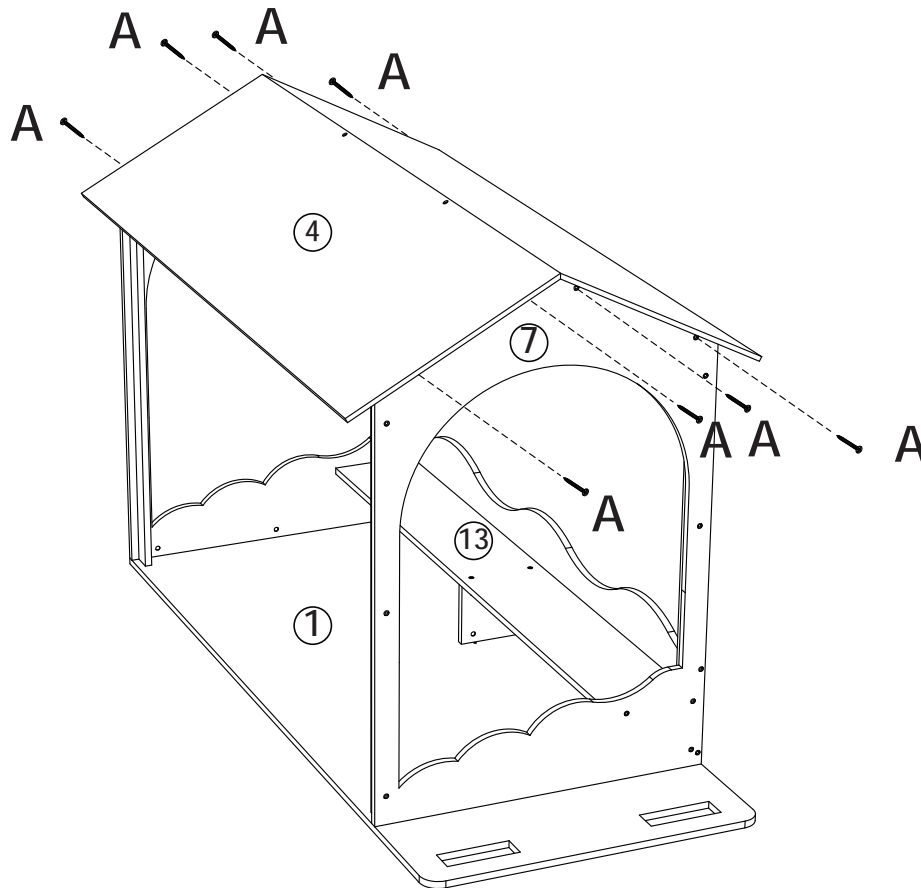
23




Insert screws Ax 2 from the inclined top to fix Part #4 and Part #5 together.

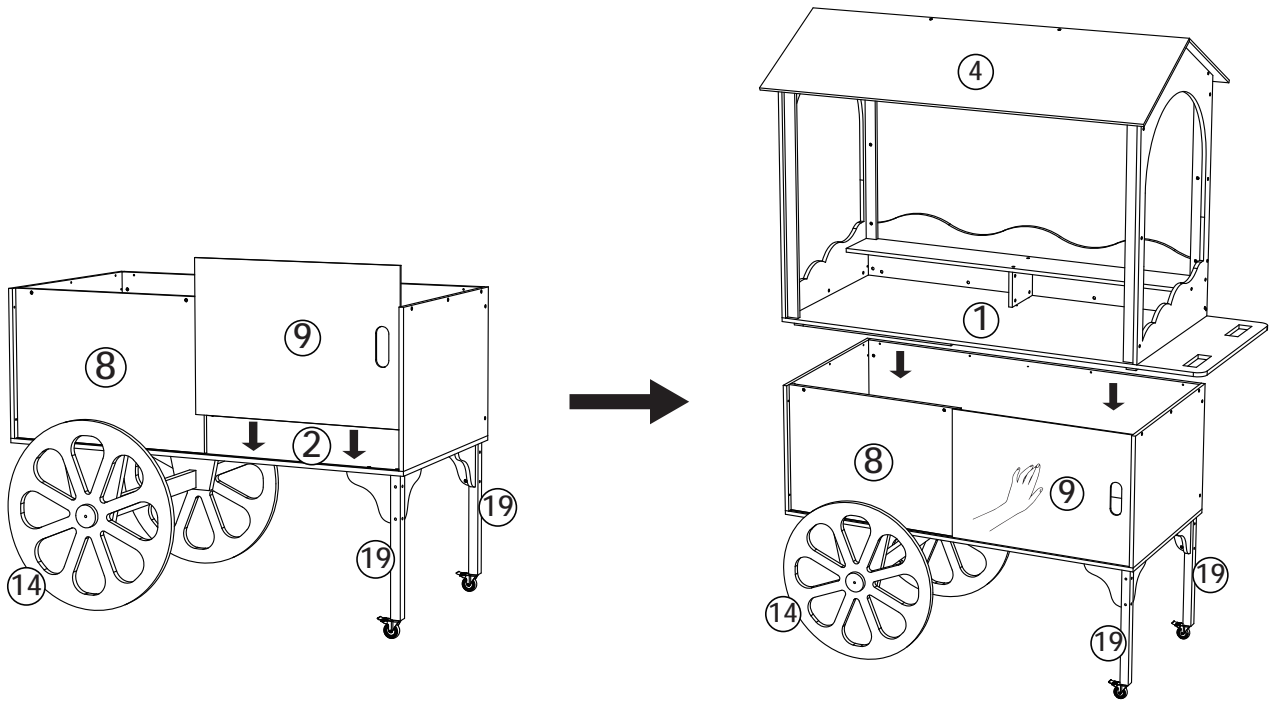
A	x2
	

24



Strengthen the top with the unit with screws Ax 8 as shown.

A	x8
	

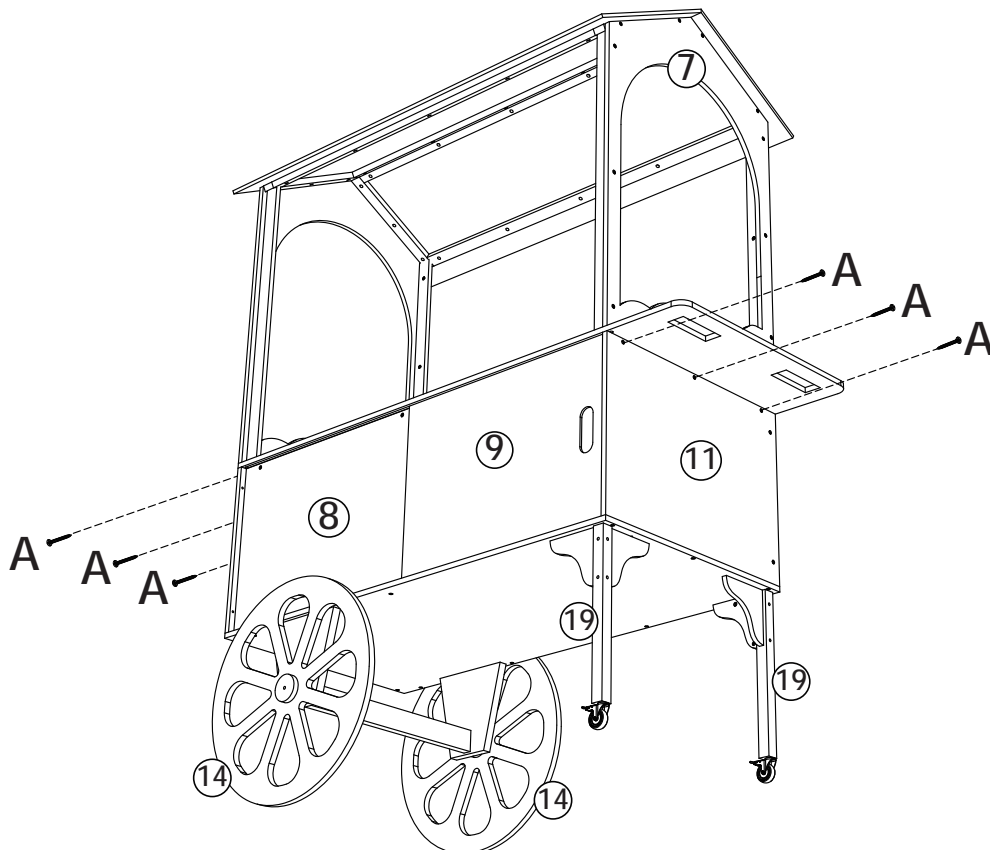


Slide Part #9 into the groove on Part #2 as shown in the diagram.


Position the upper assembly onto the lower frame, making sure the top and bottom parts are perfectly aligned.

Ensure Part #9 is securely seated in the slots of both the upper and lower assemblies and can move smoothly without obstruction.

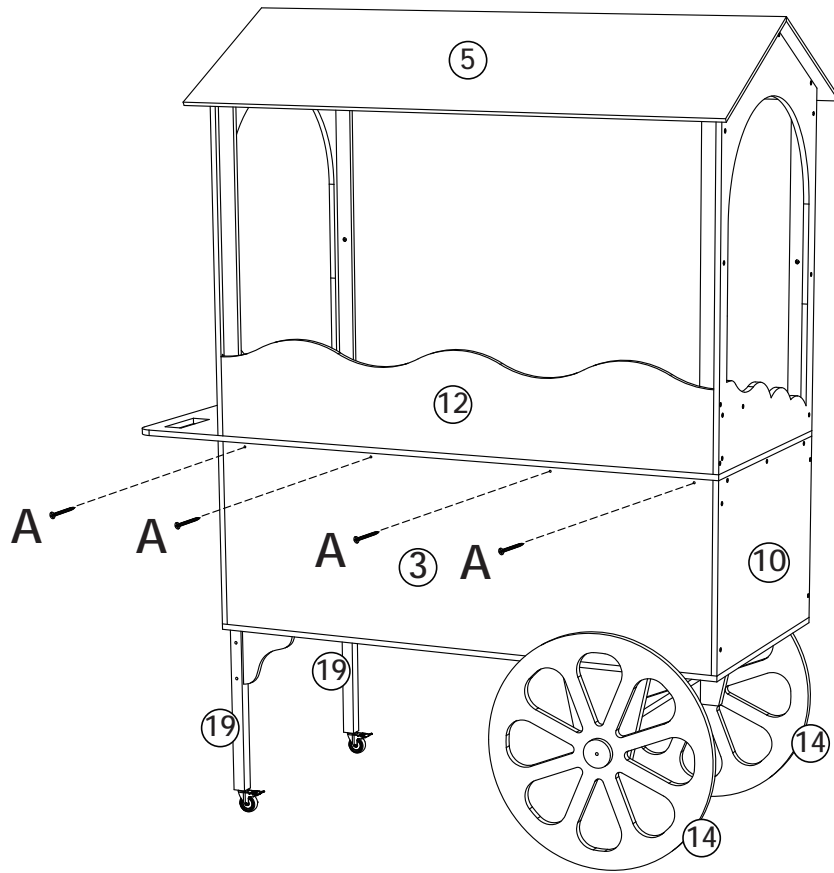
For safety and ease of assembly, we recommend having two people perform this step.




Strengthen the unit with screws Ax 6 as shown.

A	x6
	

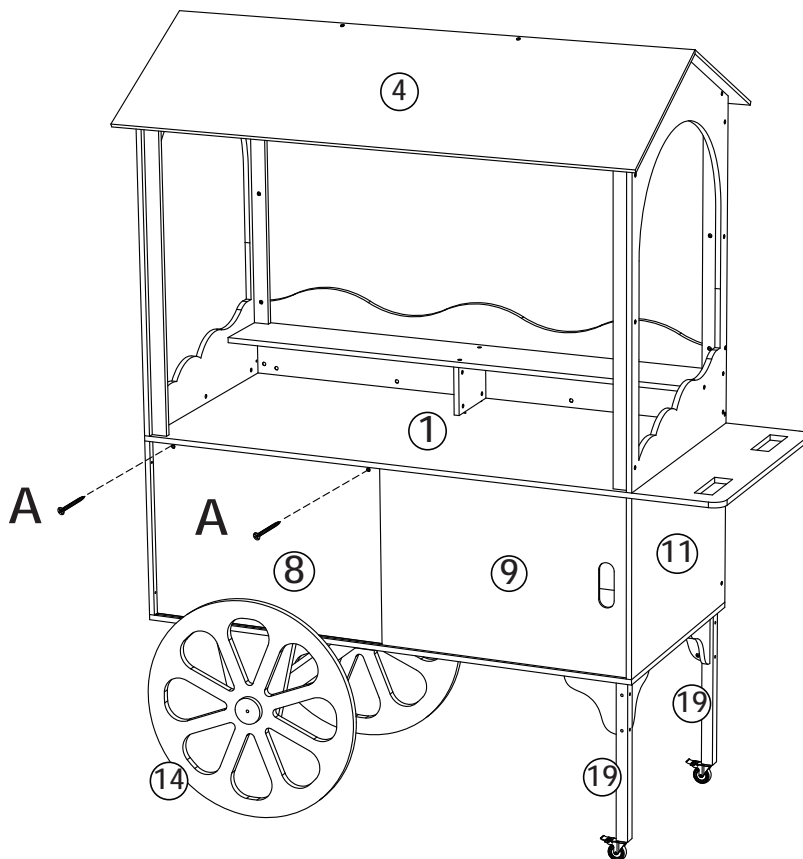
27




A	×4
	

Strengthen the back part with screws Ax 4 as shown.

28



A	×2
	

Strengthen the front panel part #8 with screws Ax 2 as shown.

Enjoy your cart!

