

BED SET

Full Size & Post Kit
Queen Size & Post Kit

Examine all packaging material for small parts that may have come loose during shipment. Periodic checks are recommended to insure that all components are in proper position, tight and free from damage. Keep this assembly instruction for future reference. Adult assembly is required.

HARDWARE LIST

- A (16) Allen Bolts
- B (8) Spring Washers
- C (8) Flat Washers
- D (8) Rubber Washers
- E (8) Hex Nuts
- F (1) Allen Wrench

PARTS LIST

- H (2) Duo Panels
- J (2) Headboard Posts
- K (2) Footboard Posts

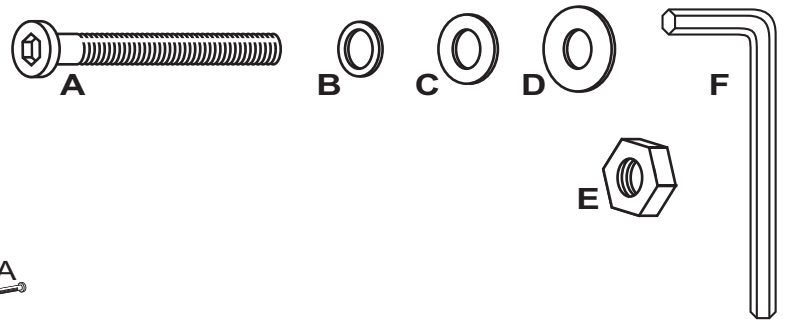


FIGURE 1

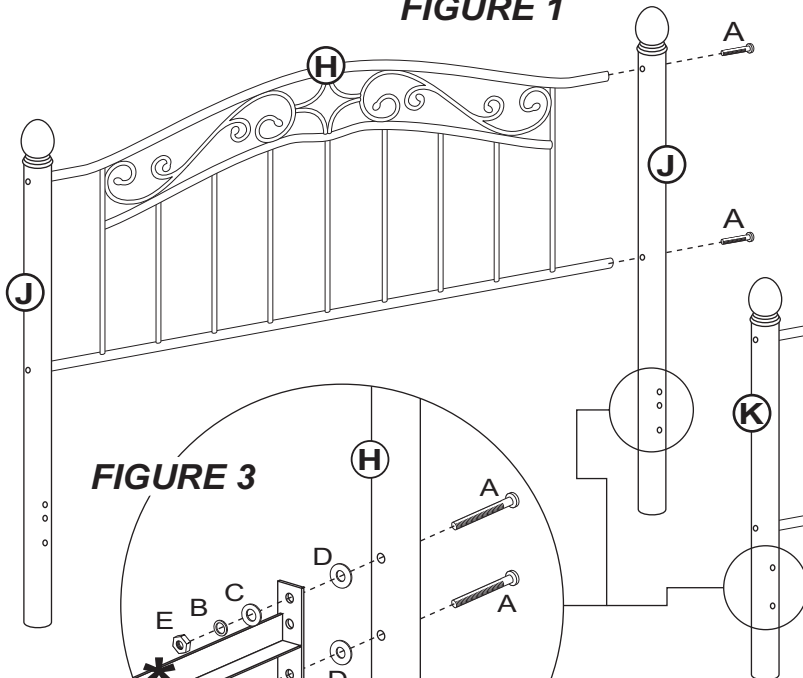
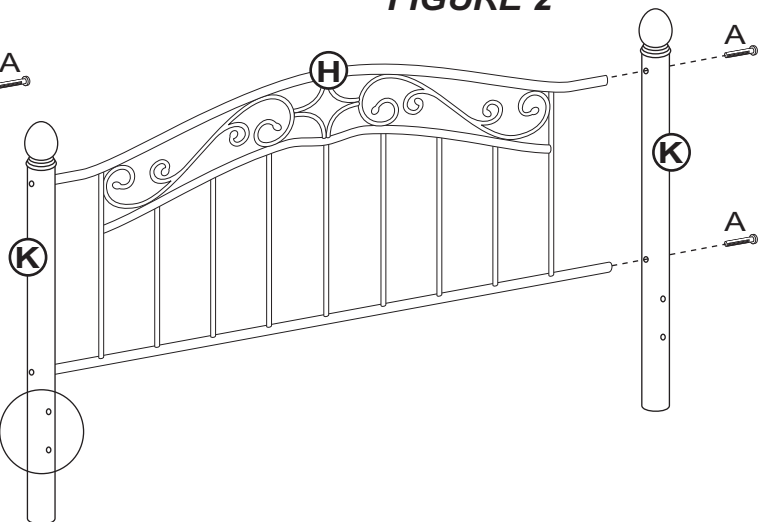


FIGURE 2



STEP 1 - Figure 1

Begin assembly by attaching each Headboard Post (J) to 1 Duo Panel (H) using 2 Allen Bolts (A) per each side. Tighten all bolts using the Allen Wrench (F) that has been provided.

STEP 2 - Figure 2

Next, attach each Footboard Post (K) to the remaining Duo Panel (H) also using 2 Allen Bolts (A) per each side. Tighten all bolts.

STEP 3 - Figure 3

Attach the Bed Frame (*Not Included) to each Headboard & Footboard Post (J & K) using 2 Allen Bolts (A), 2 Rubber Washers (D), 2 Flat Washers (C), 2 Spring Washers (B) & 2 Hex Nuts (E) per each post. The assembly is now complete.

CARE & MAINTENANCE: The touch of a soft cloth is all the maintenance the finish will ever need. Please do not use harsh or abrasive cleaners for polishing, as they may cause damage to the finish. Periodic checks are recommended to make sure that all bolts, screws and nuts are securely tightened.