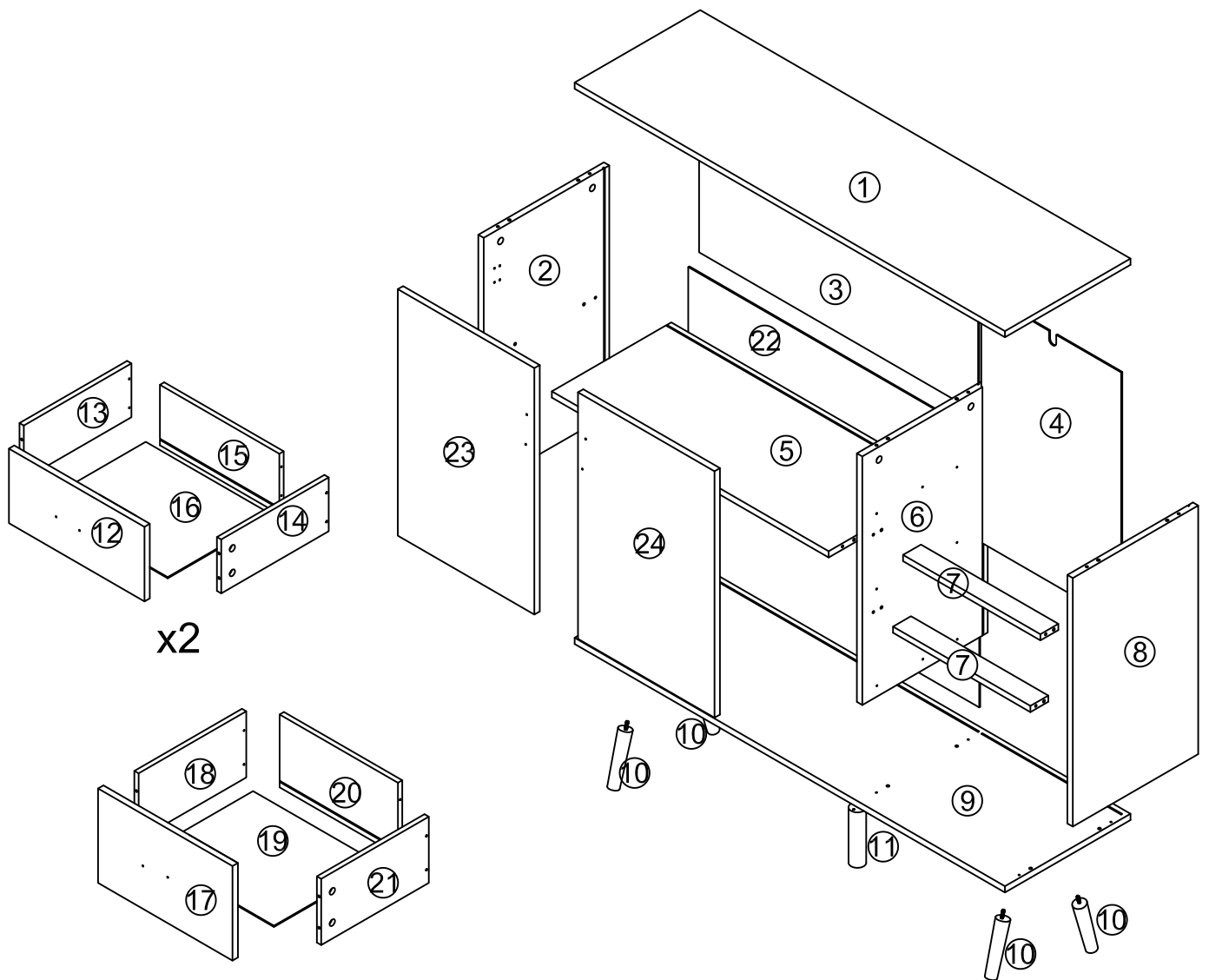






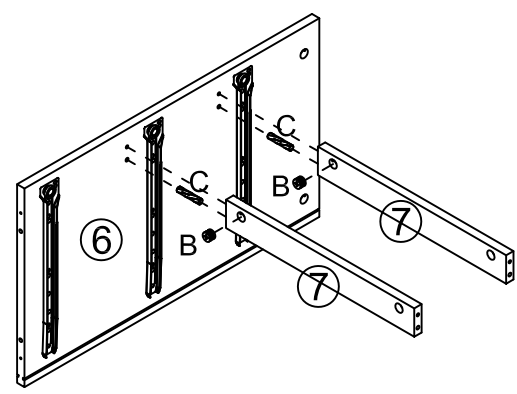
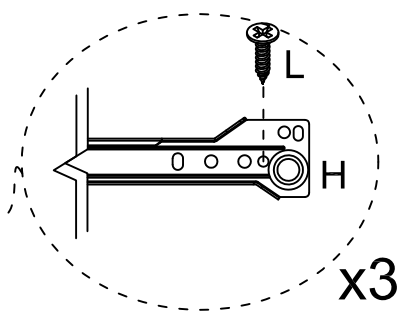
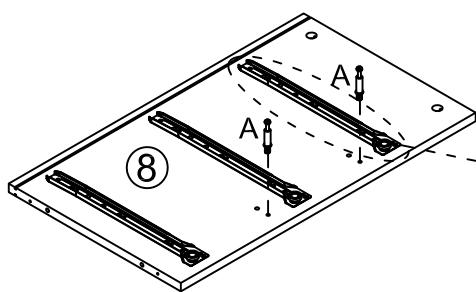
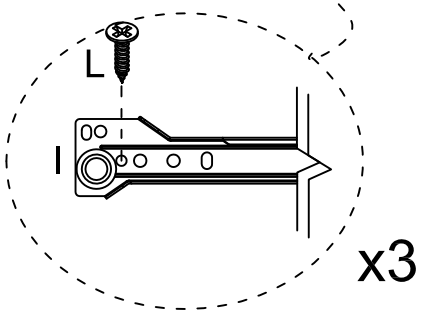
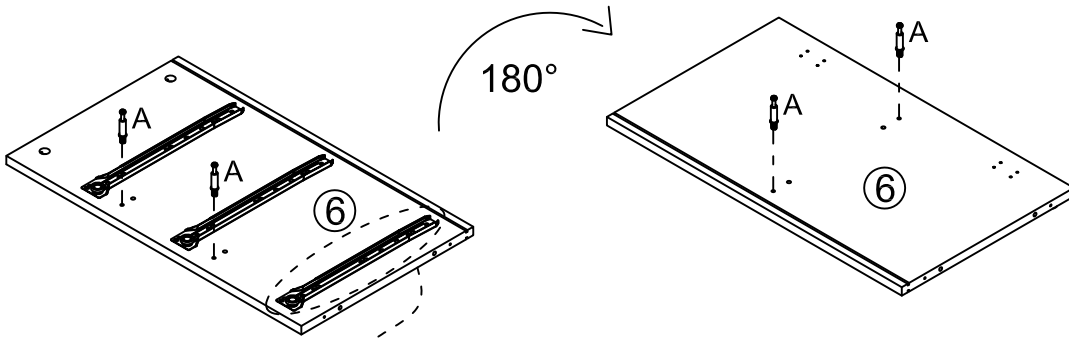





WF197112

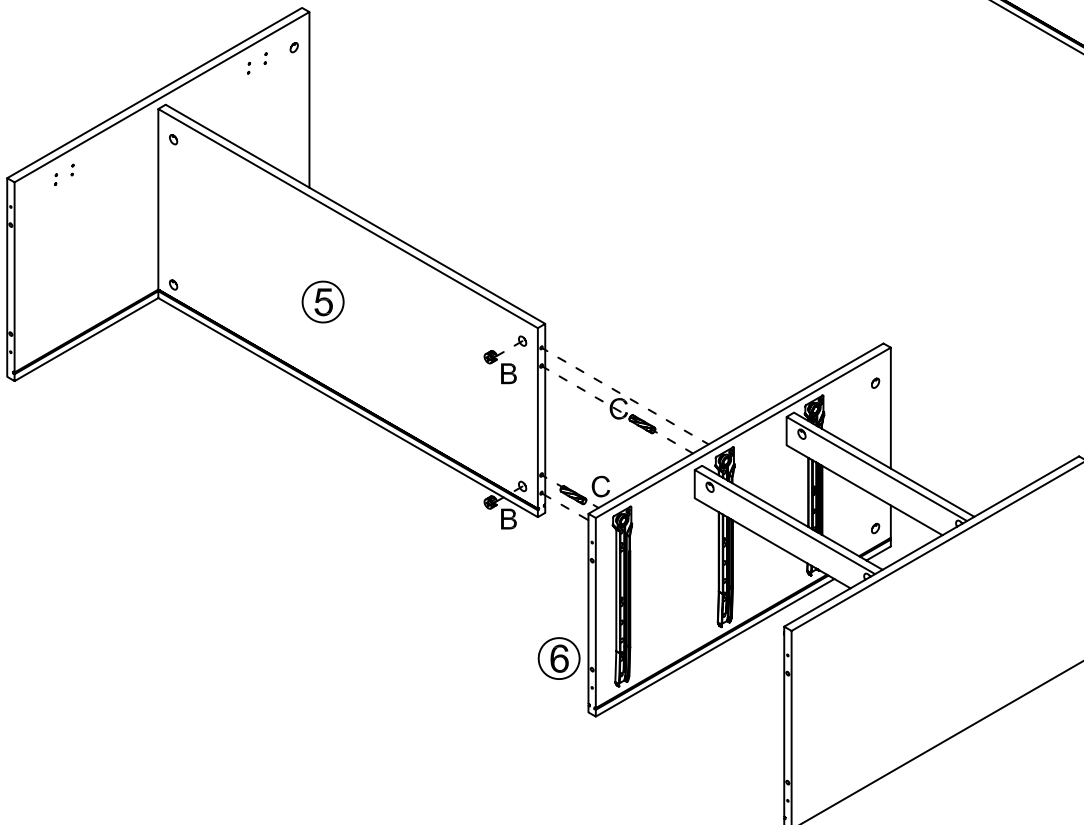
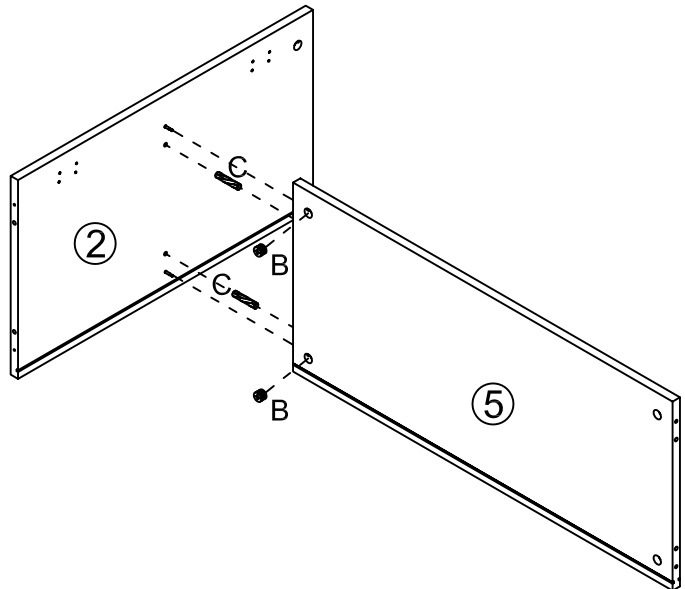
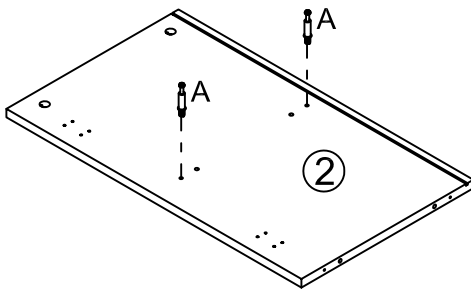
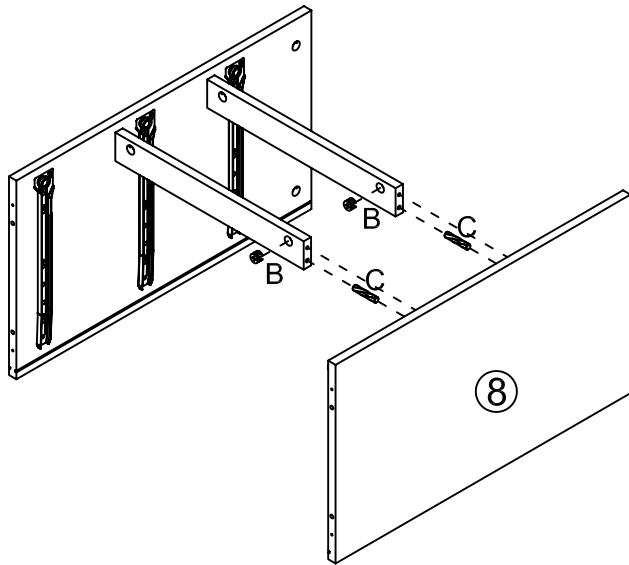


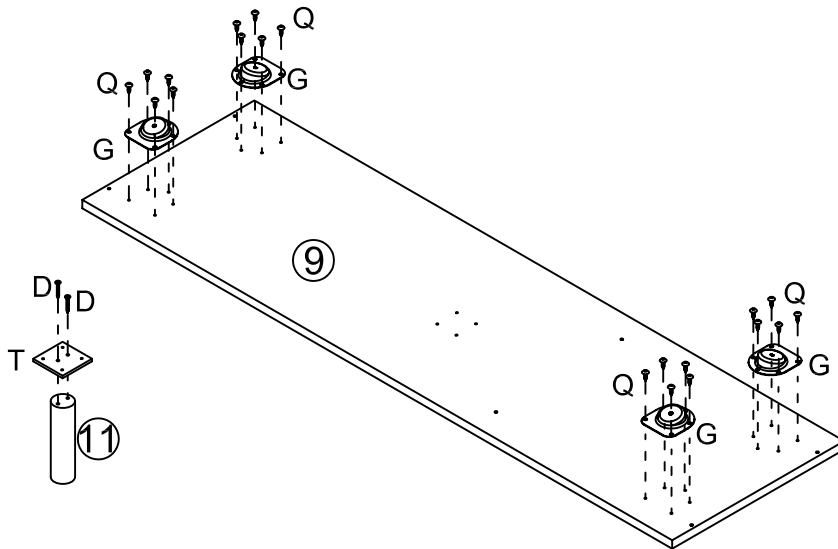
A		26		M	M4x35	2	
B		14		N		2	
C		20		O		5	
D	M4x30	14		P		2	
E		12		Q	M4x12	26	
F	M5x45	6		R	M4x12	24	
G		4		S		12	
H		3		T		1	
I		3		U		4	
J		3		V		5	
K		3		W		10	
L	M3.5x12	36		X		1	







.SCREWS	
A	 6 PCS
B	 2 PCS
C	 2 PCS
H	 3 PCS
I	 3 PCS
L	 M3,5X12 18 PCS

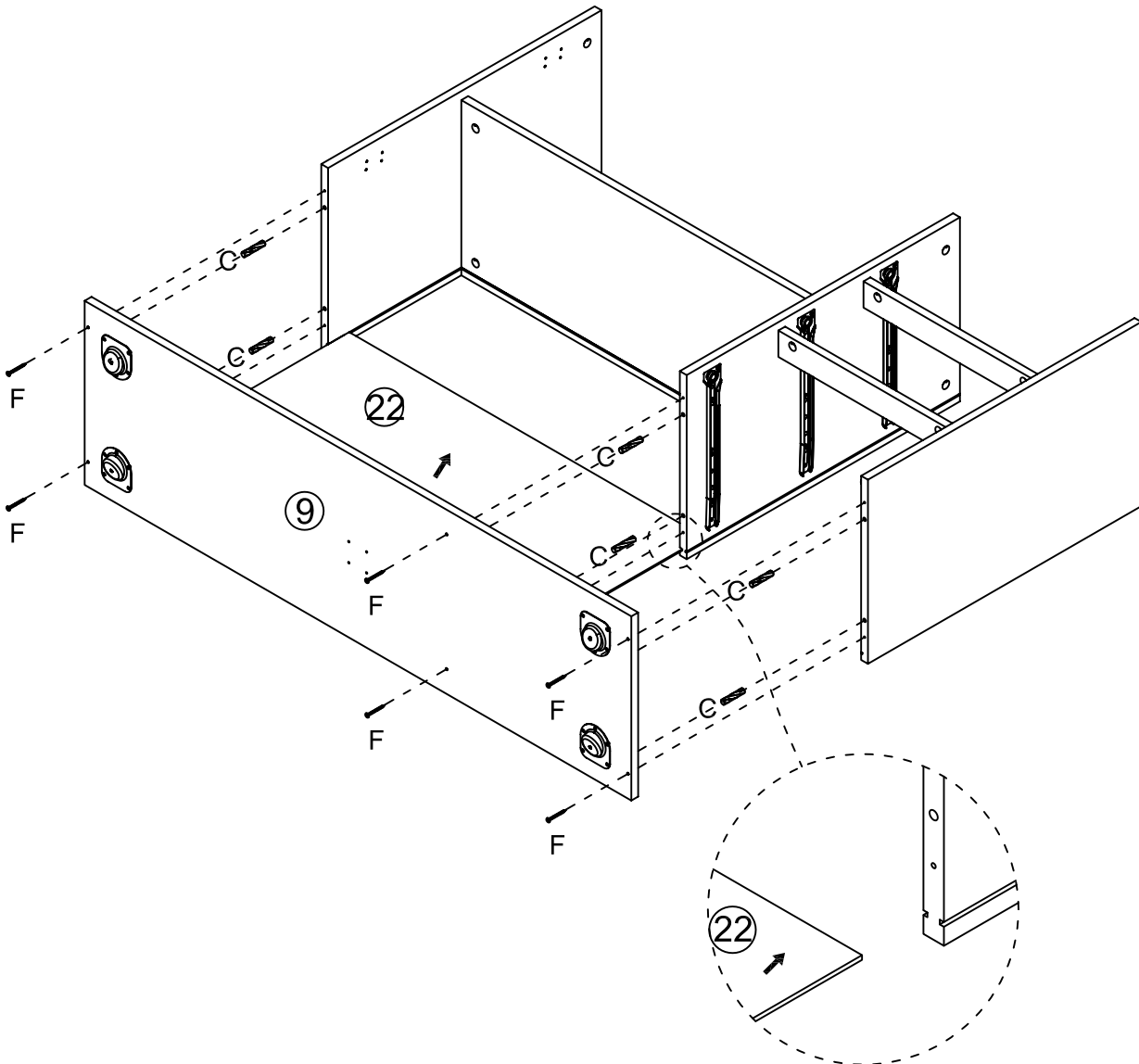


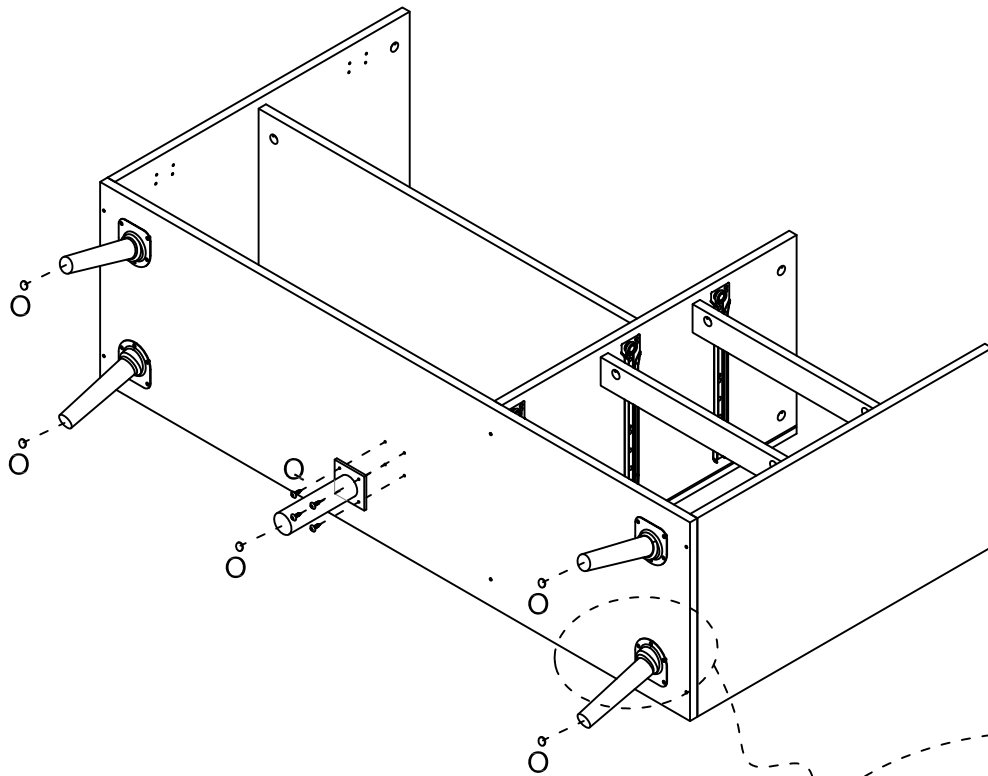
.SCREWS	
A	 2 PCS
B	 6 PCS
C	 6 PCS







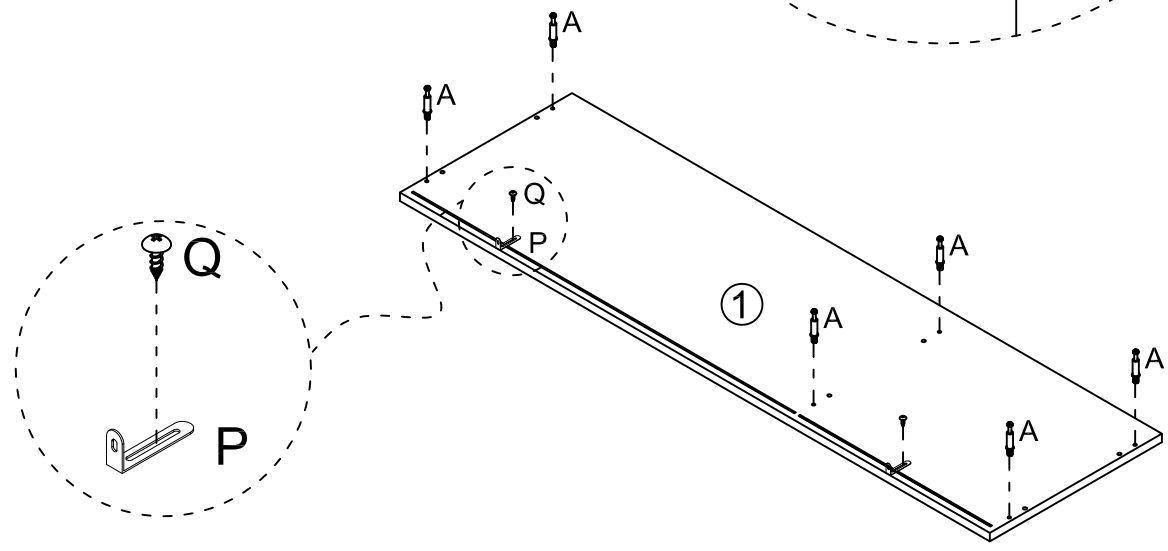
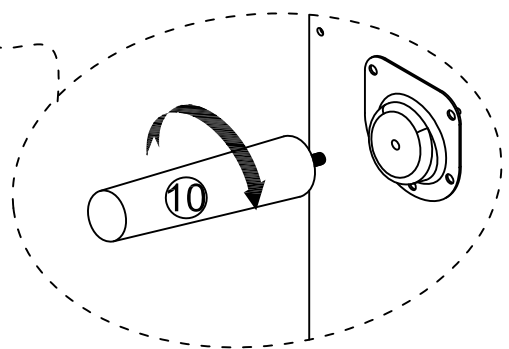


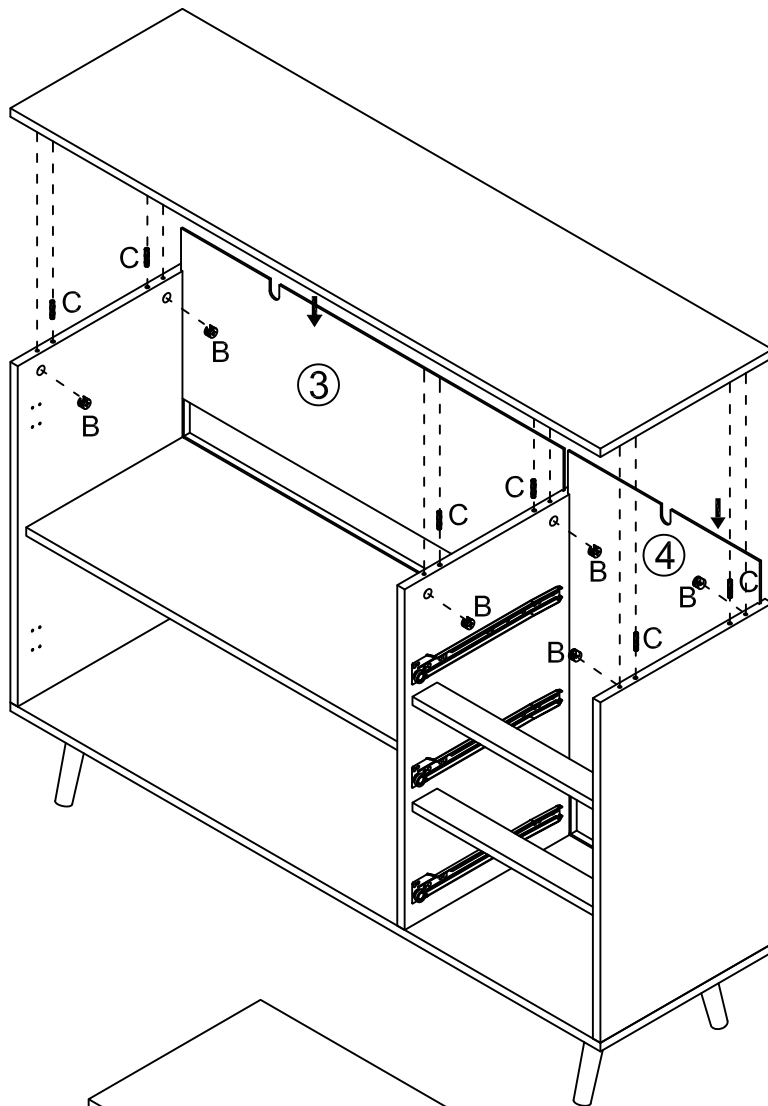
.SCREWS	
C	 6 PCS
D	 2 PCS
F	 6 PCS
G	 4 PCS
T	 1 PCS
Q	 M4X12 20 PCS






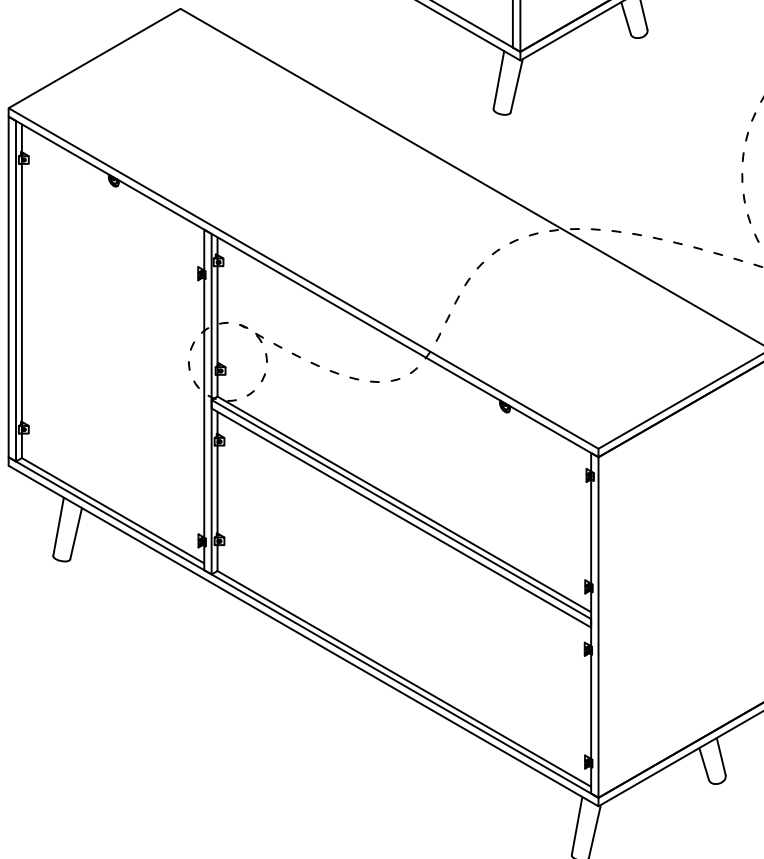


.SCREWS	
A	 6 PCS
Q	 M4X12 6 PCS
P	 2 PCS
O	 5 PCS





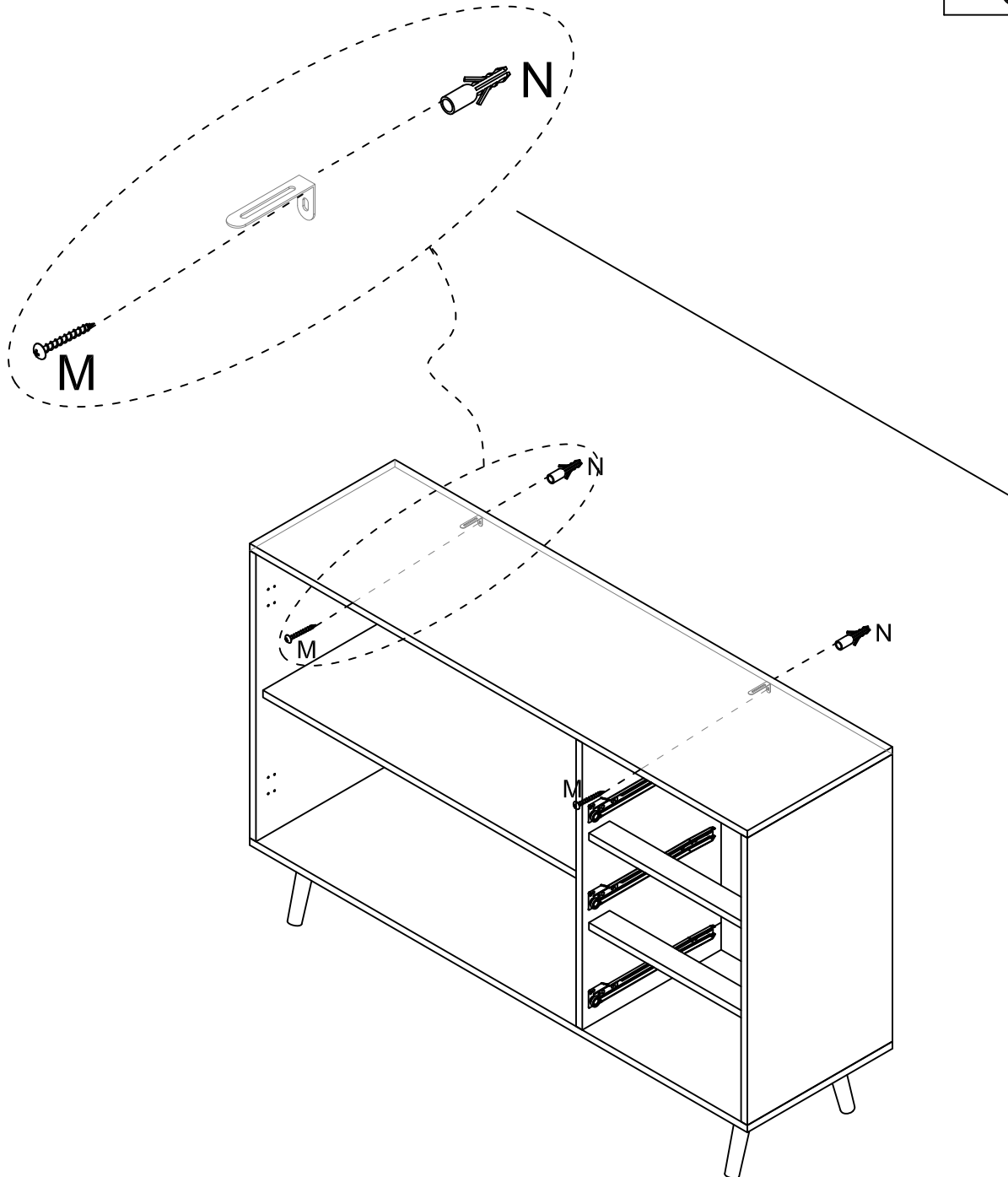
.SCREWS	
B	 6 PCS
C	 6 PCS
S	 12 PCS

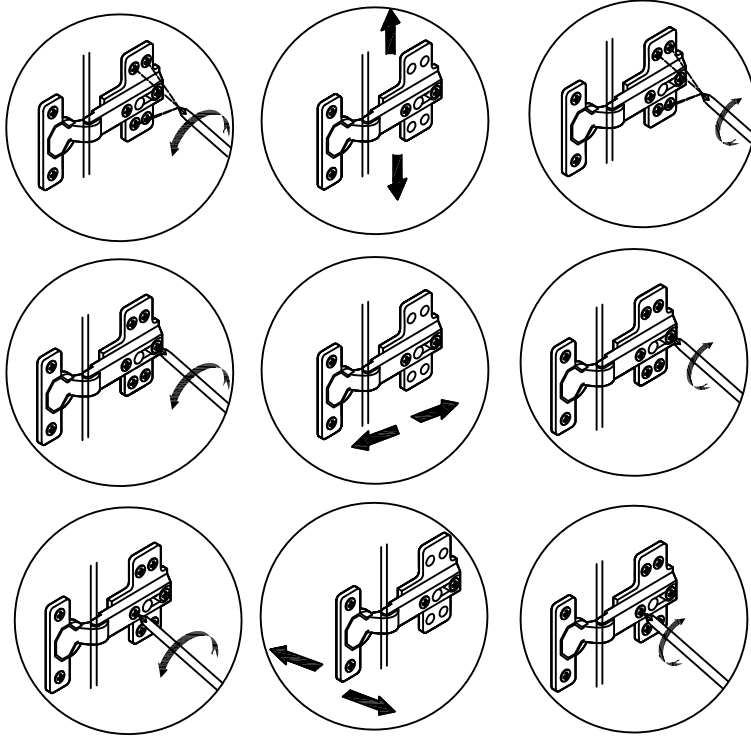






.SCREWS

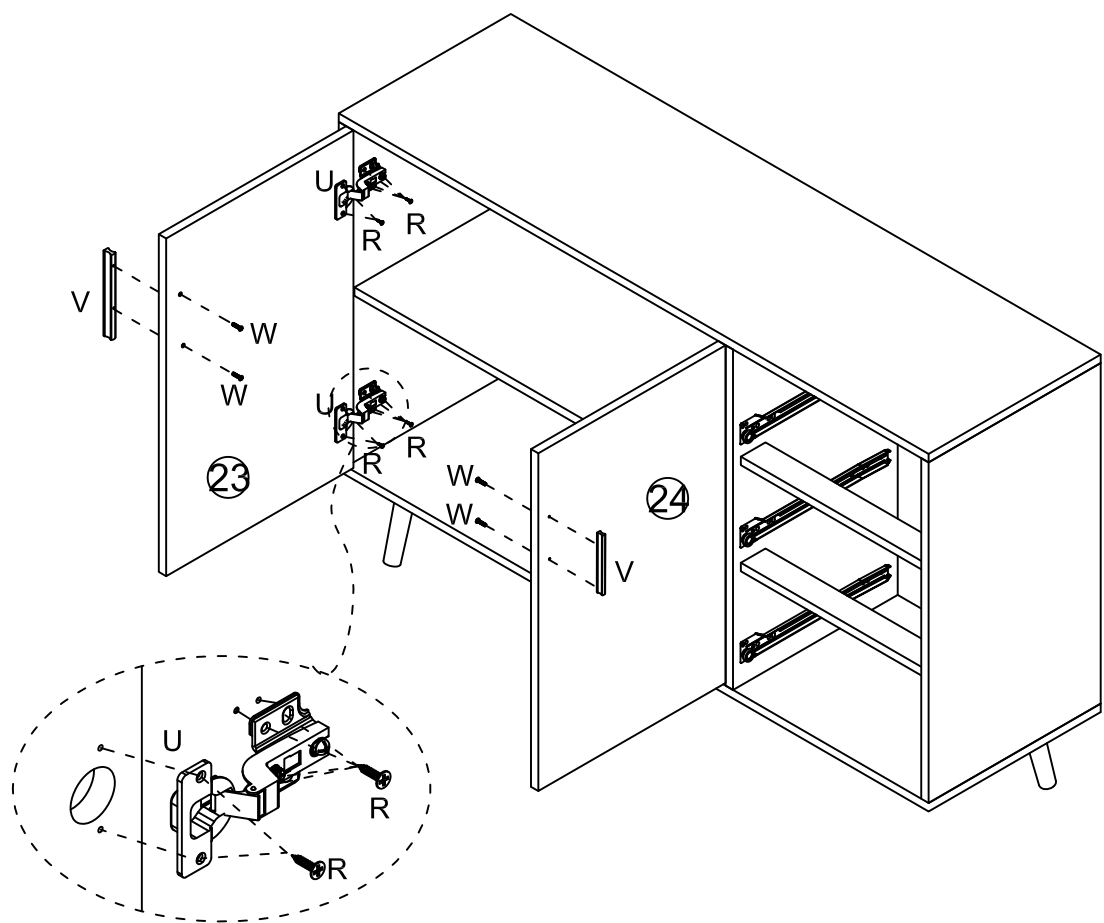
M  2 PCS

N  2 PCS

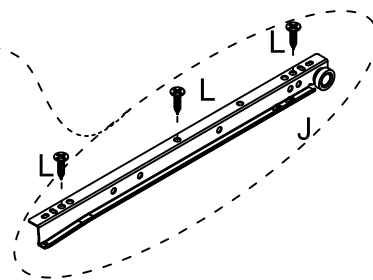
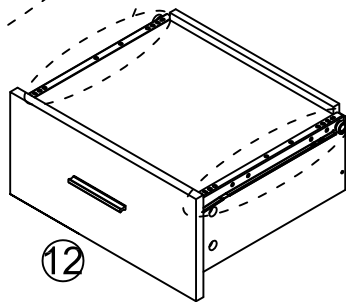
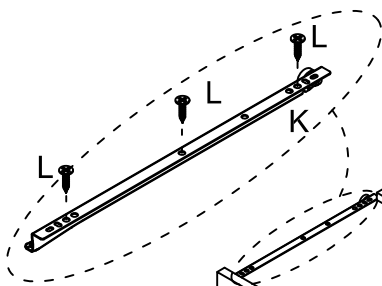
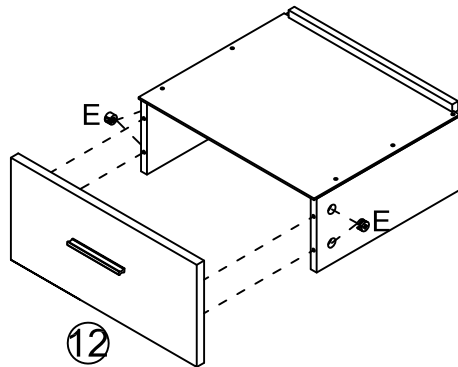
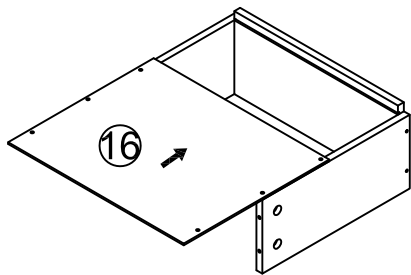
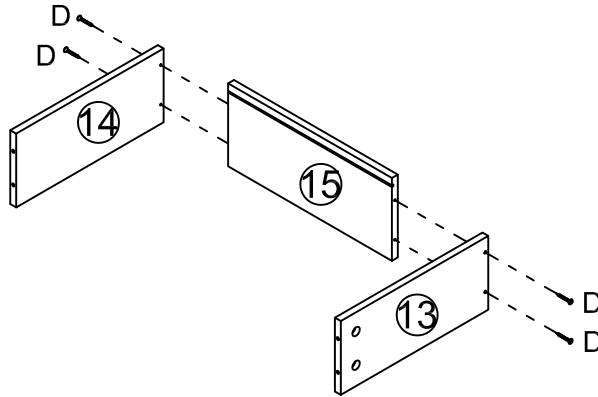
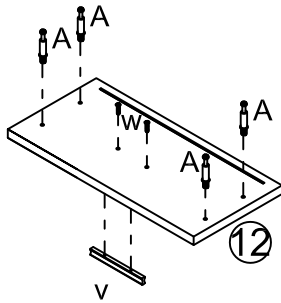












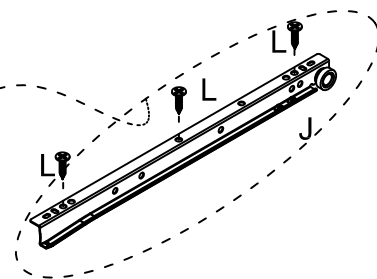
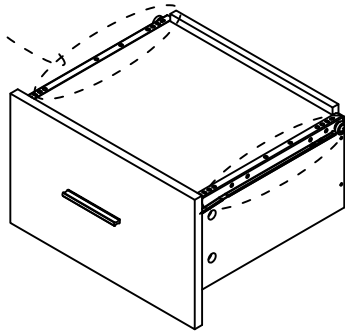
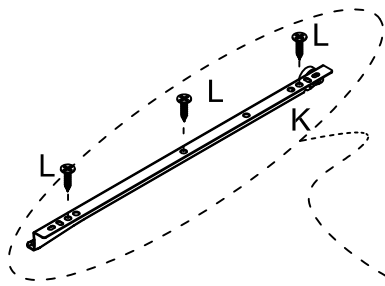
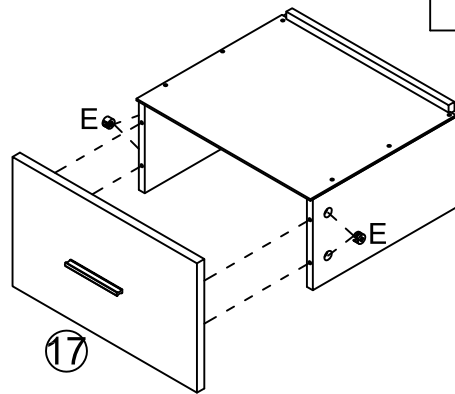
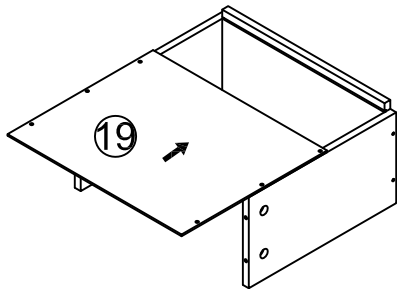
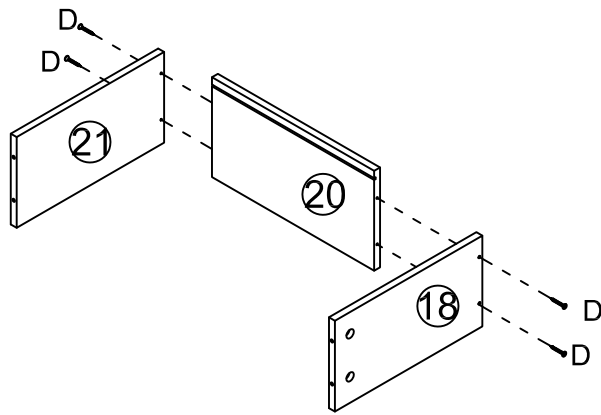
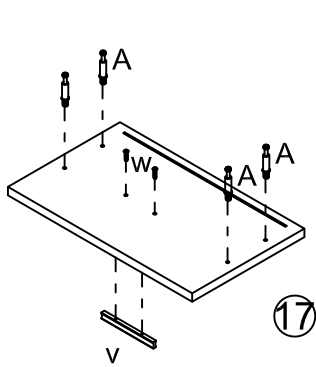
.SCREWS	
U	 4 PCS
R	 24 PCS
V	 2 PCS
W	 4 PCS











x2



.SCREWS	
K	 2 PCS
J	 2 PCS
L	 12 PCS
A	 8 PCS
D	 8 PCS
E	 8 PCS
V	 2 PCS
W	 4 PCS



.SCREWS	
K	 1 PCS
J	 1 PCS
L	 6 PCS
A	 4 PCS
D	 4 PCS
E	 4 PCS
V	 1 PC
W	 2 PCS

