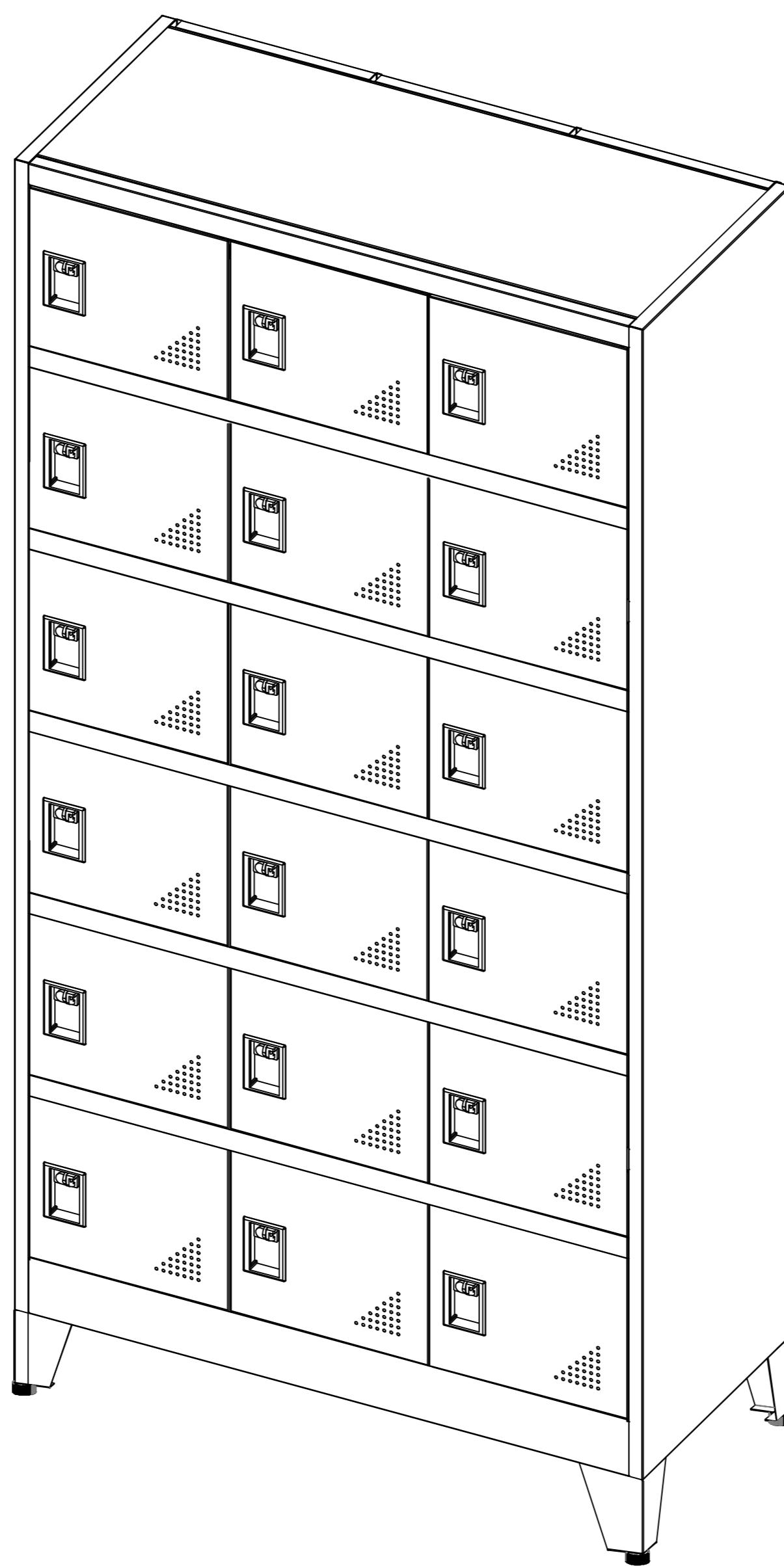


Installation & Assembly

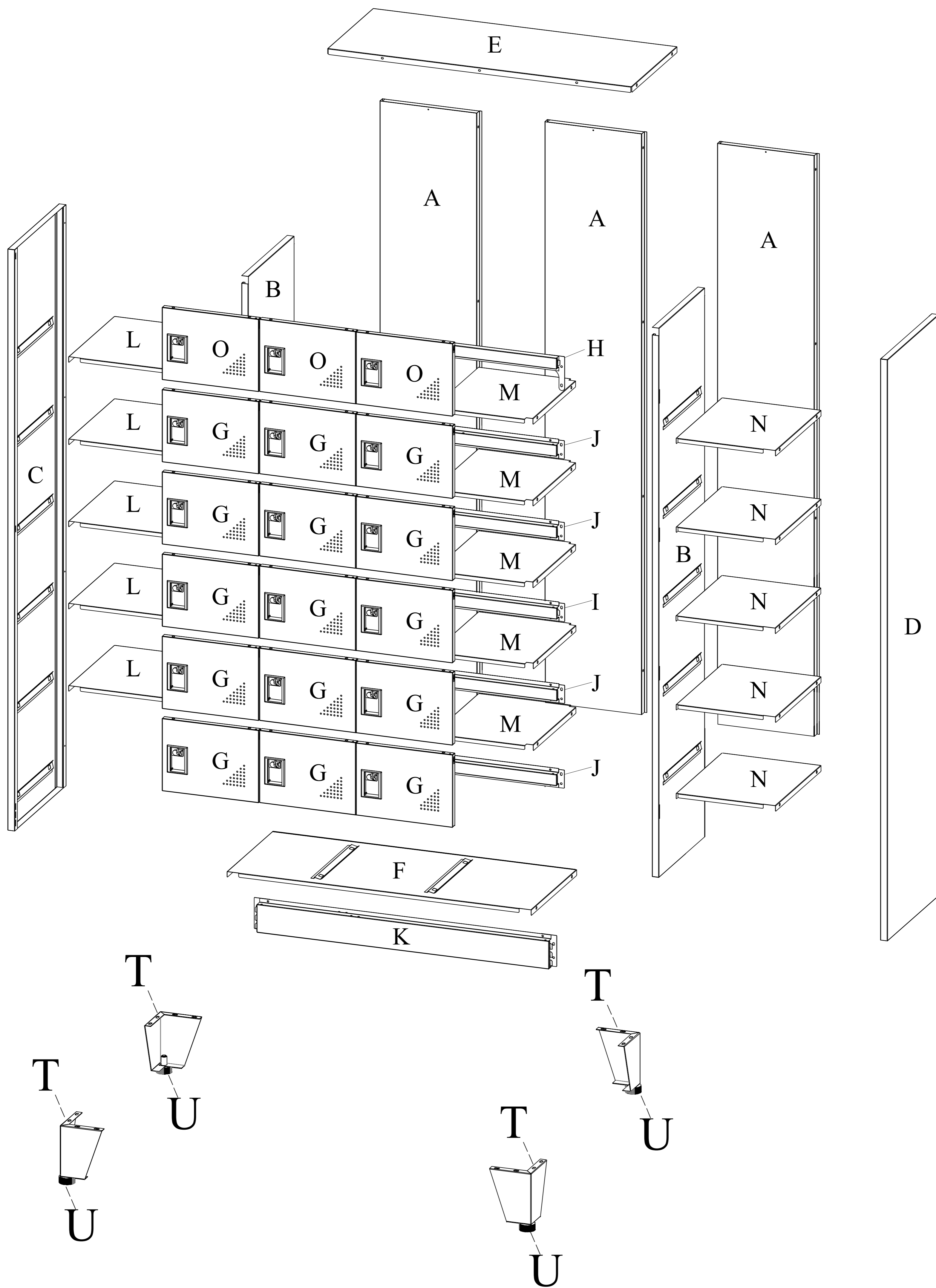


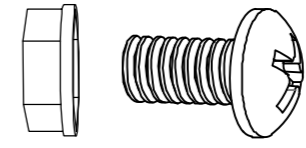
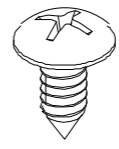
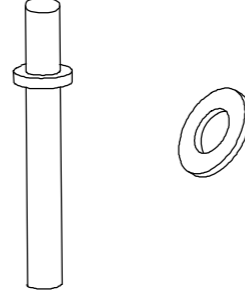
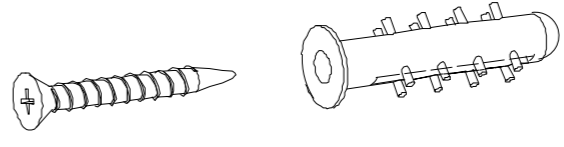
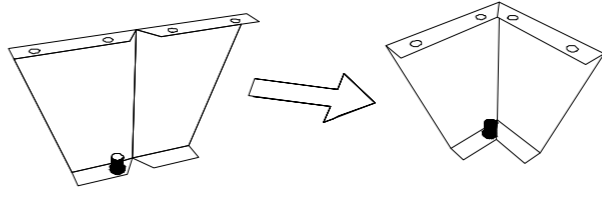
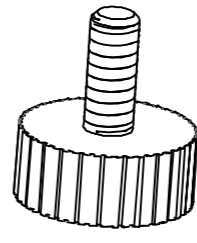
Important!

Thank you for your purchase. Please open it carefully.

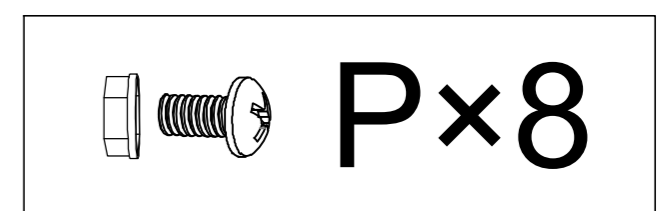
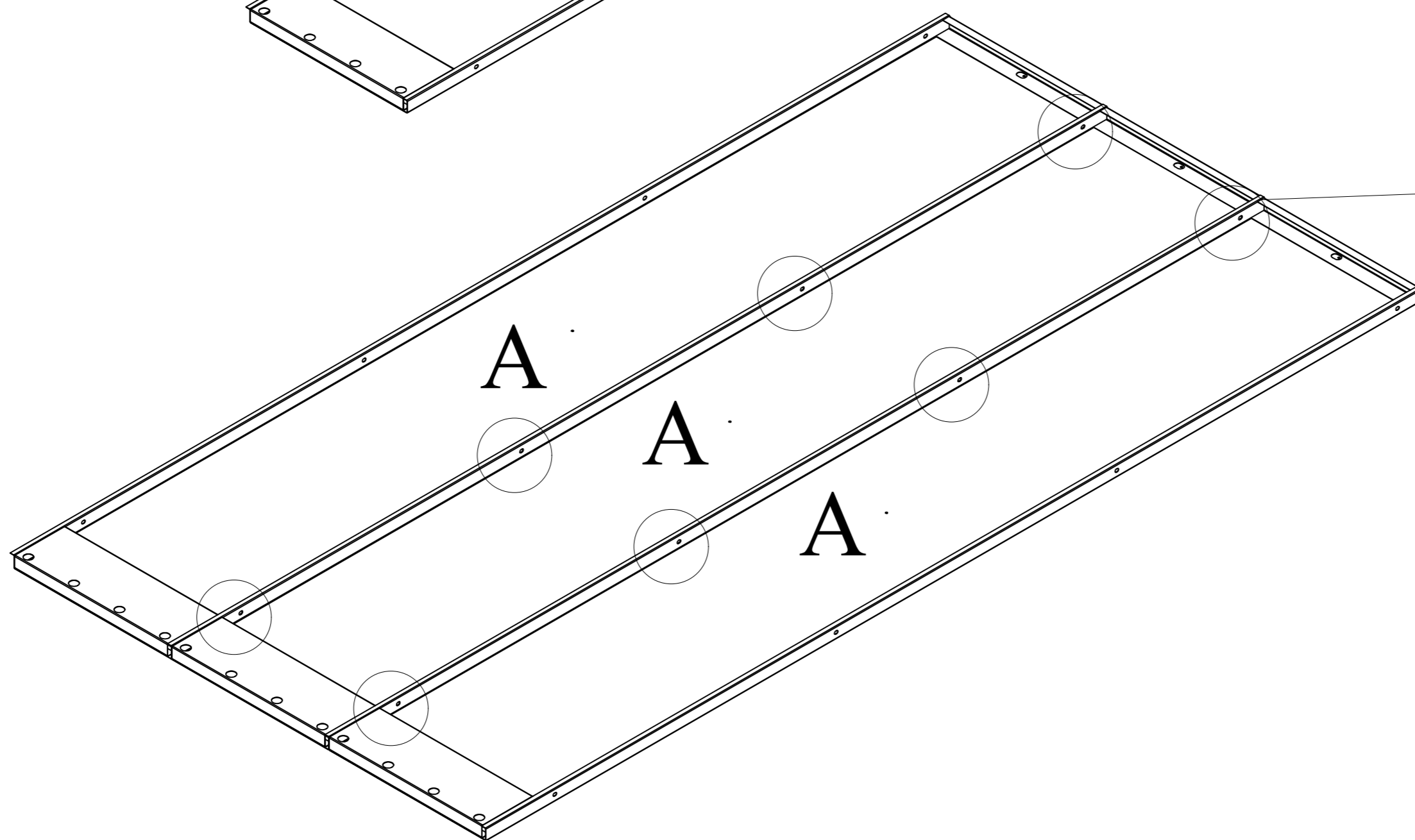
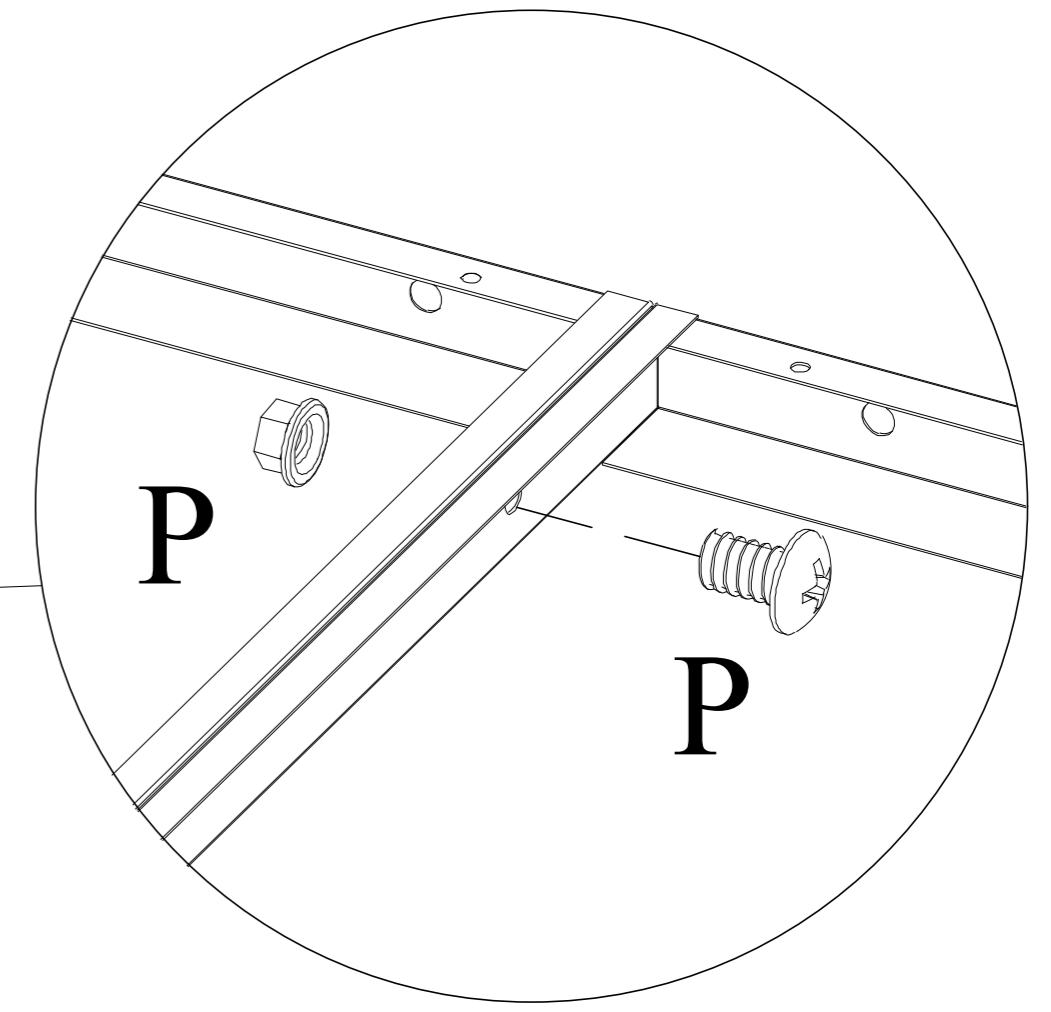
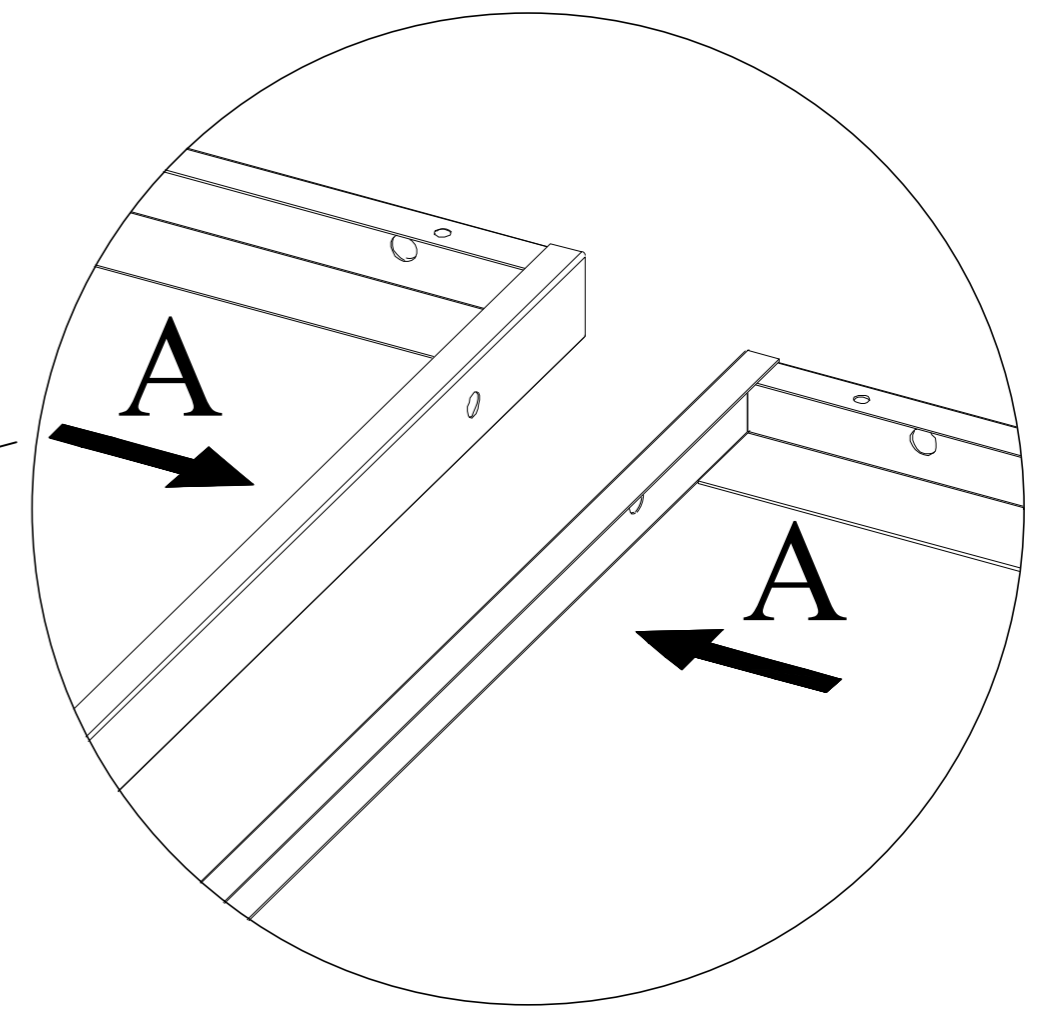
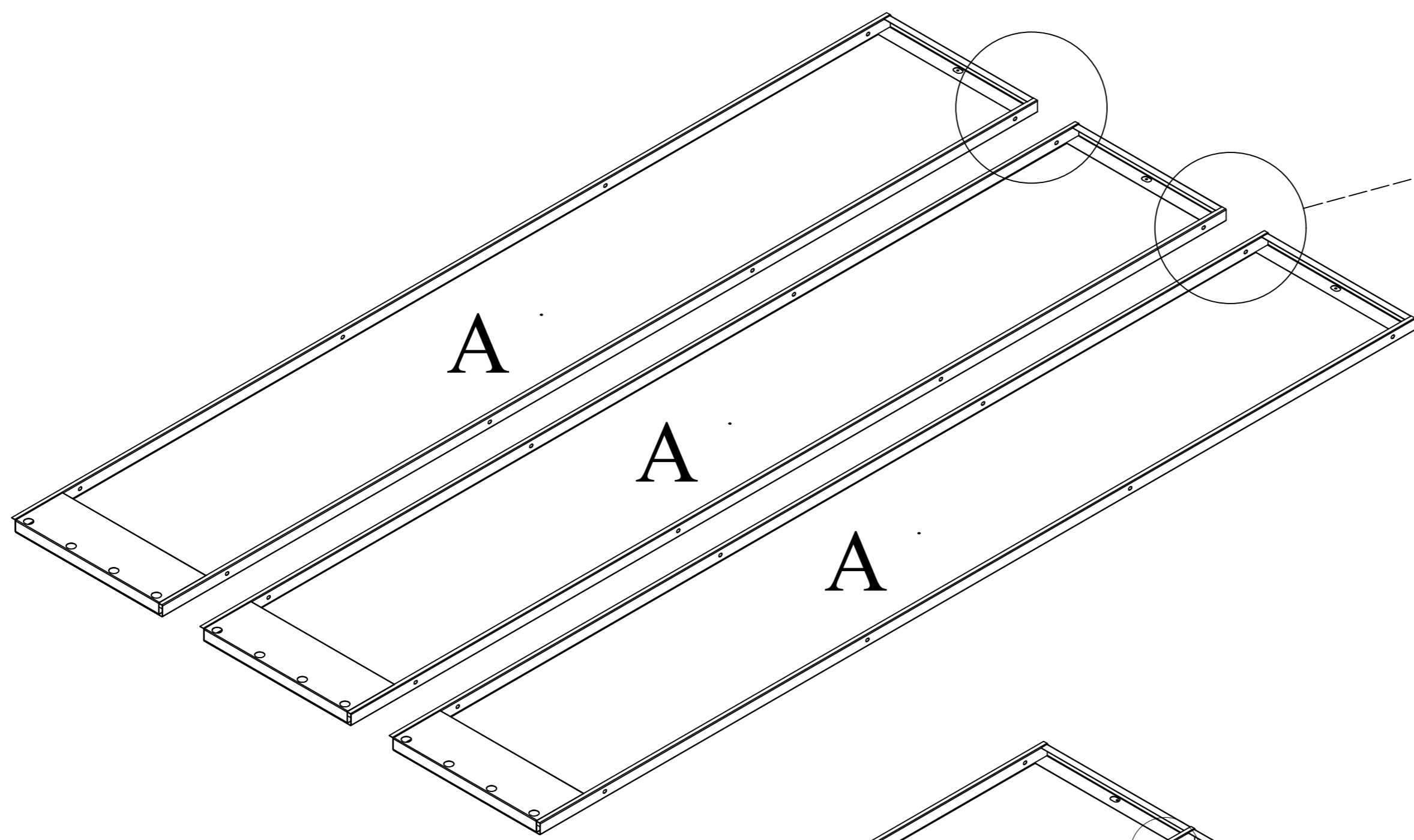
If you encounter any problems, please contact us.

Service tenet - to enable customers to enjoy high-quality service.



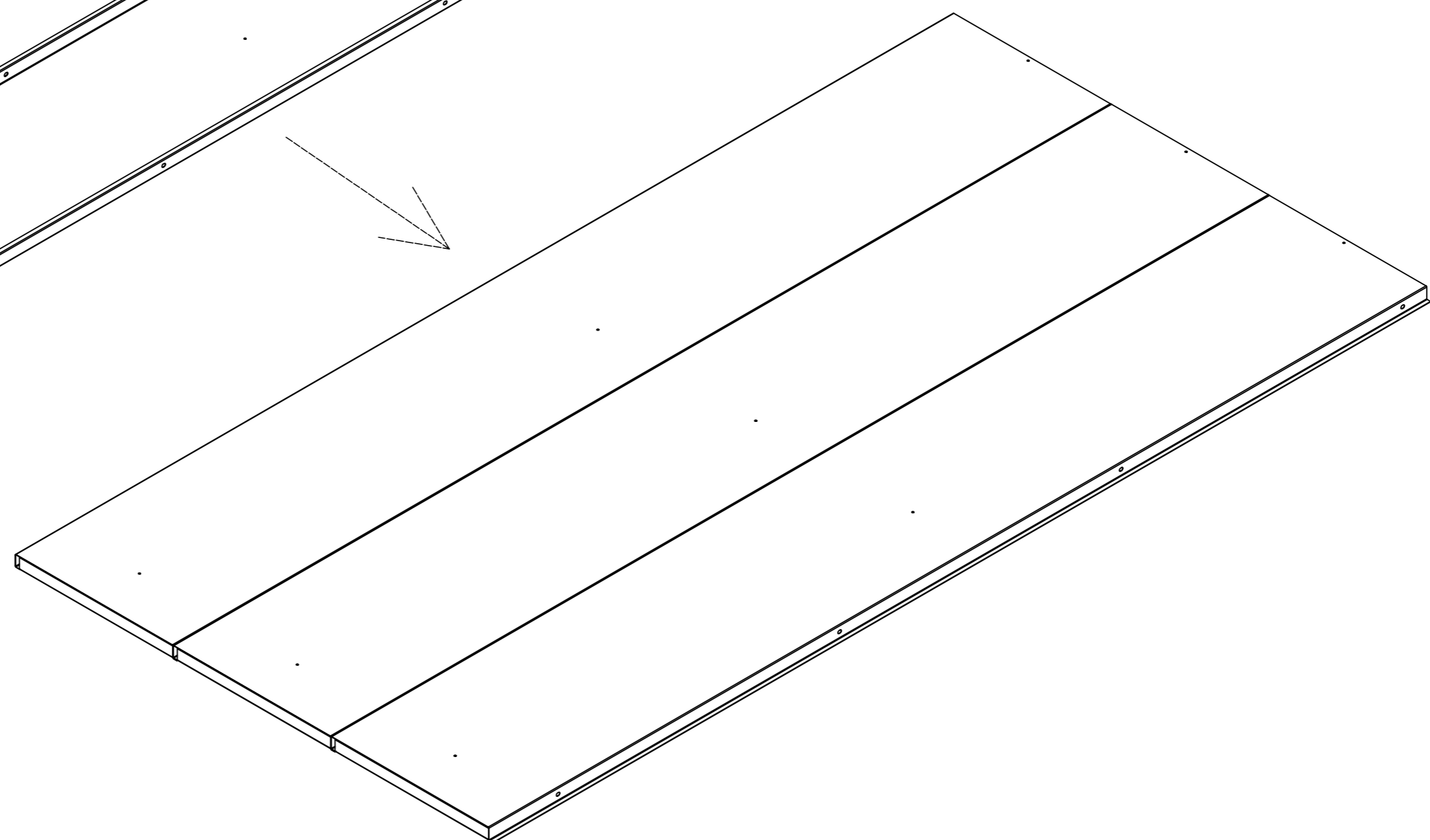
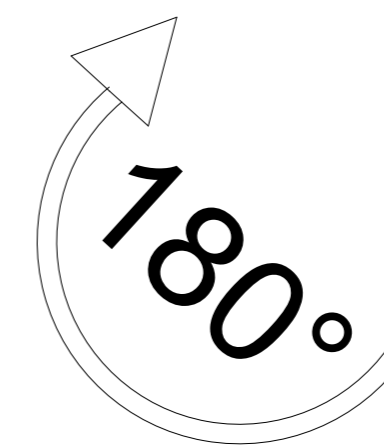
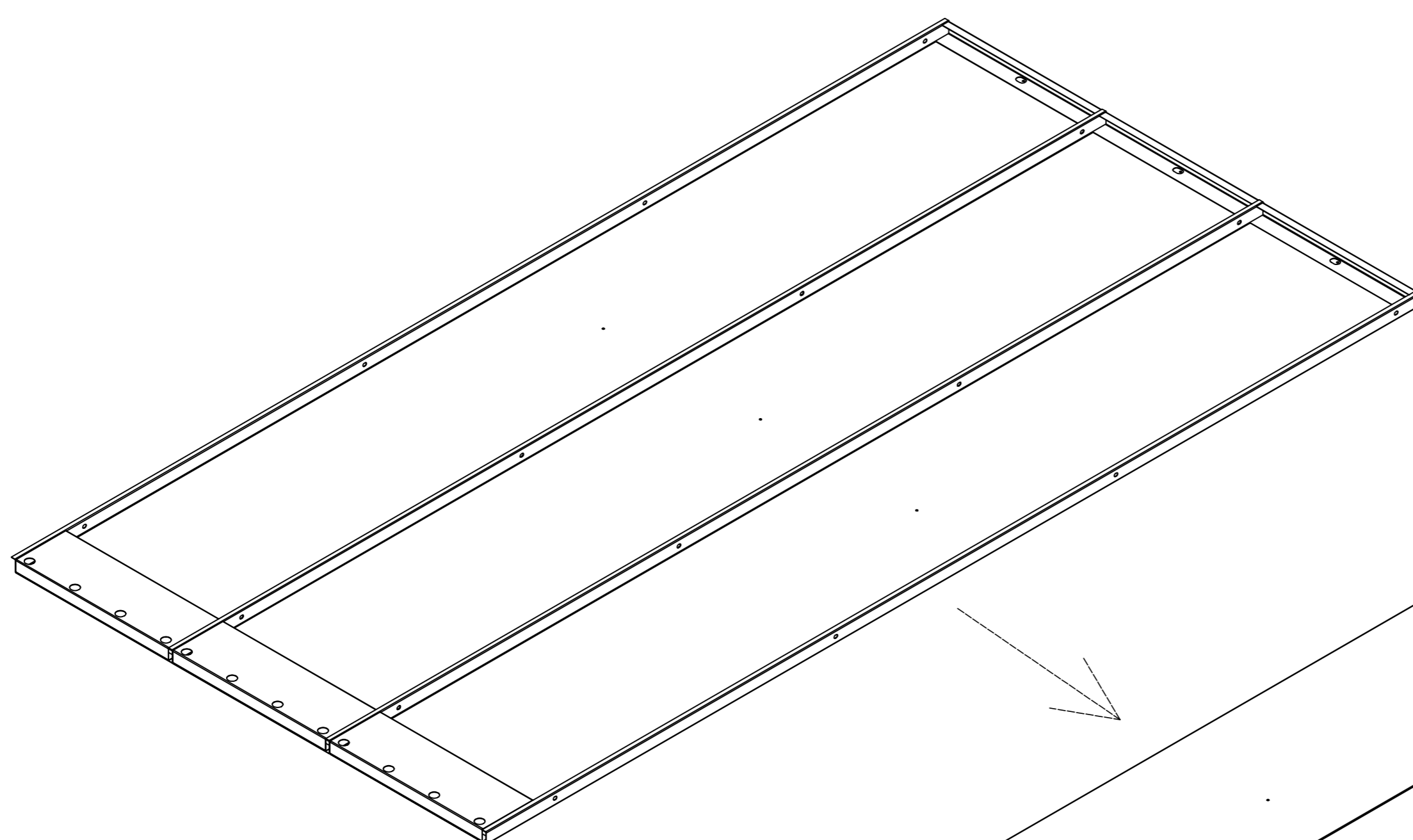
PARTS LIST		LISTE DES PIÈCES			LISTA DE PIEZAS			
Nom Nombre	Part Piece Pieza	Qty Qte	Spare	Name Nom Nombre	Part Piece Pieza	Qty Qte	Spare	
A	Back Panel	3		P 13/32" Screw		8	2	
B	Middle Side Panel	2		Q 13/32" Screw		64	2	
C	Left Side	1		R Door Pivot Pin Shim\		18	2	
D	Right Side	1		S Set screw		2		
E	Top Panel	1		T Standing leg		4		
F	Bottom Panel	1		U Adjustable foot		4		
G	Door	15						
O	Door	3						
H	Top beam	1						
I	Middle beam	1						
J	Middle beam	4						
K	Kick Plate	1						
L	Left Shelves	5						
M	Mid Shelves	5						
N	Right Shelves	5						

1

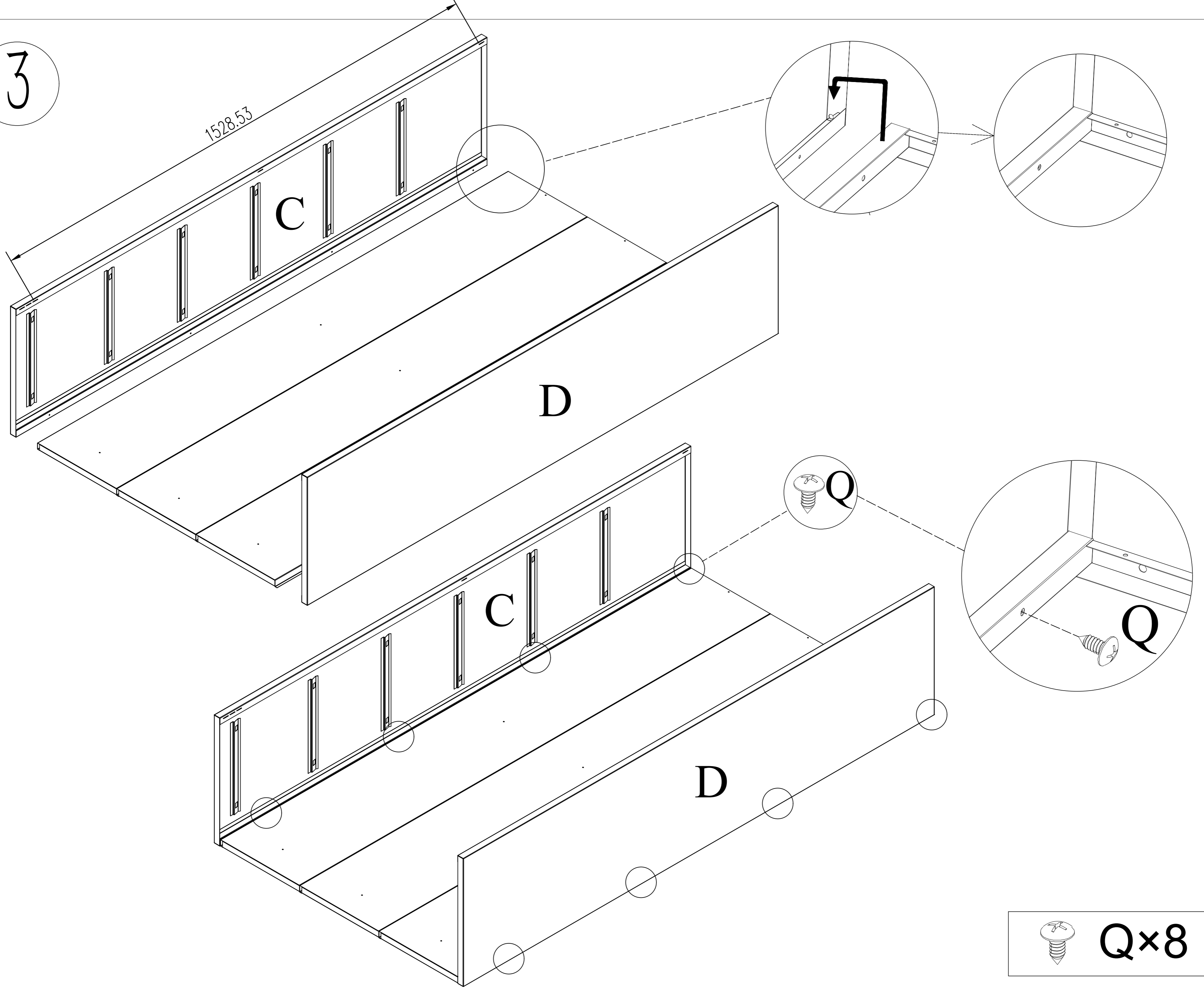


2

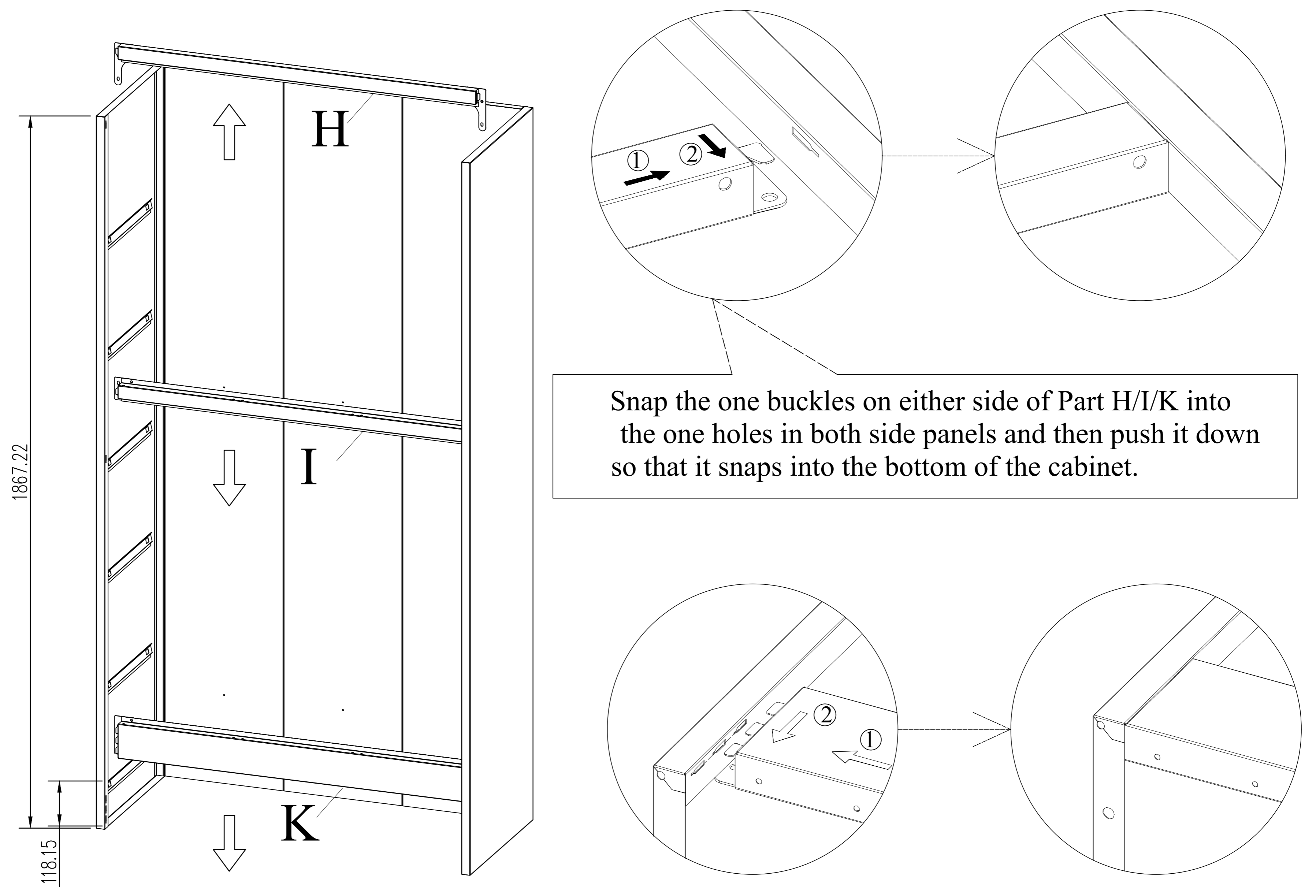
Please rotate 180 degrees



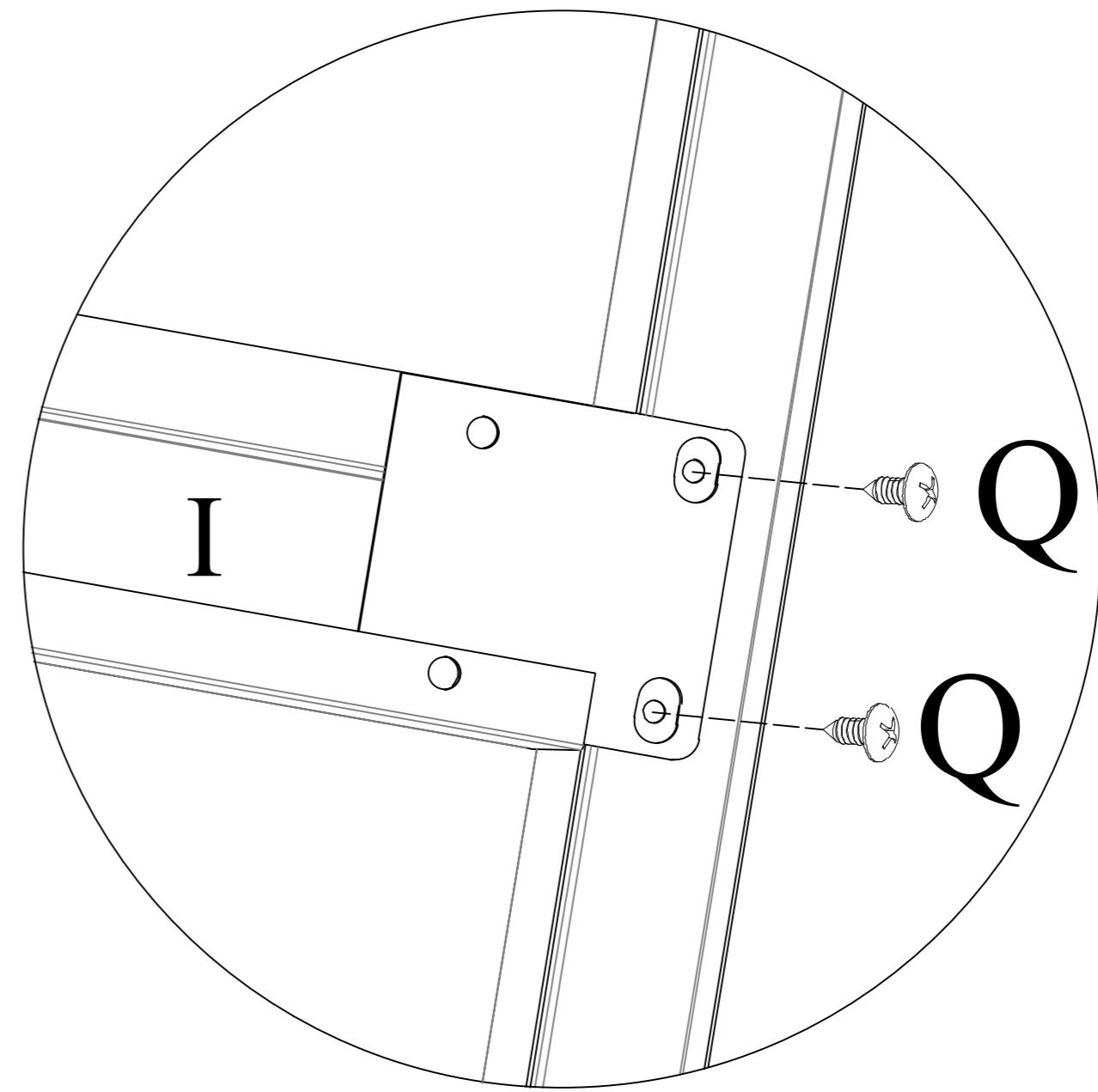
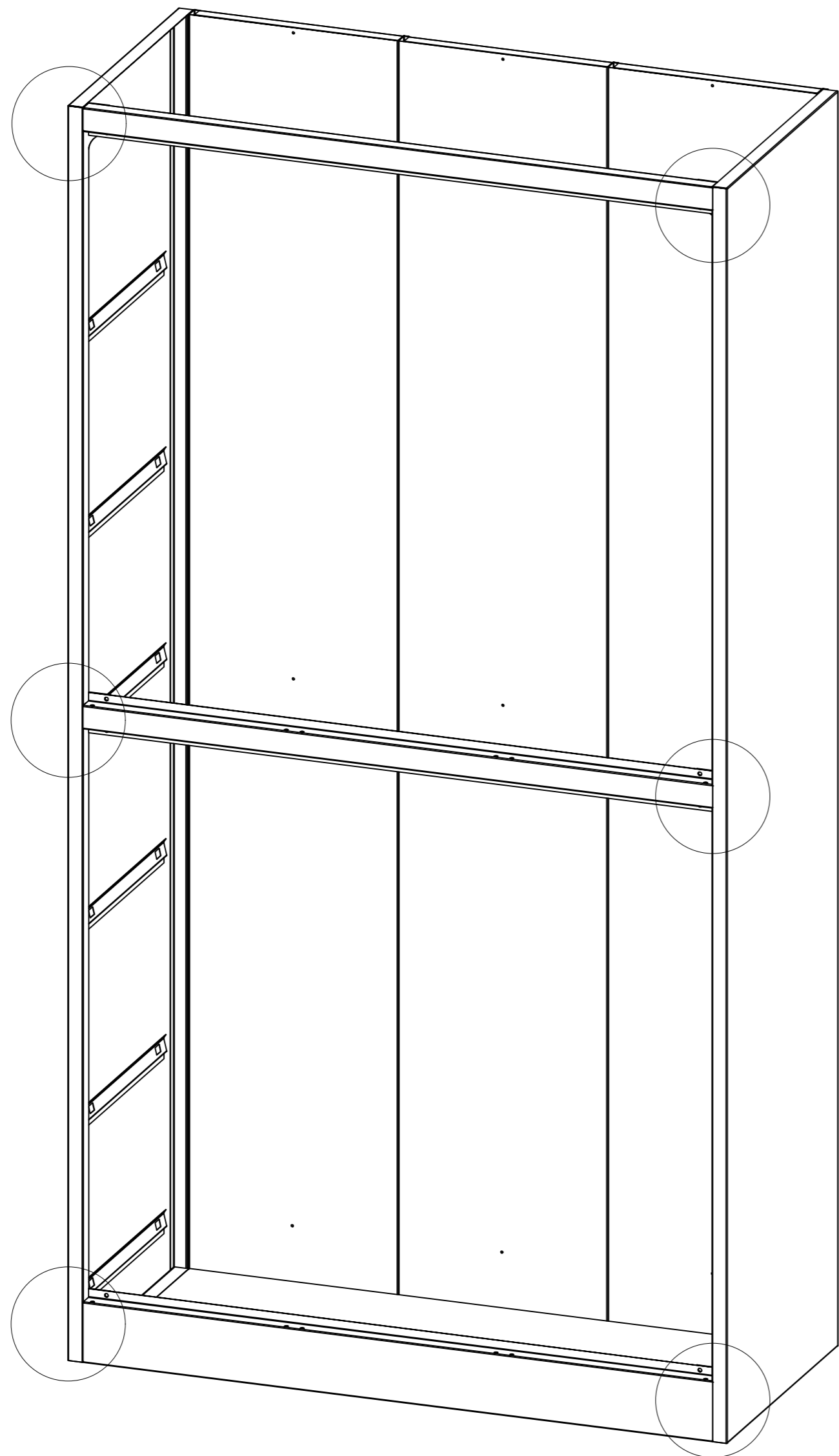
3

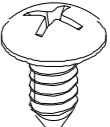


4

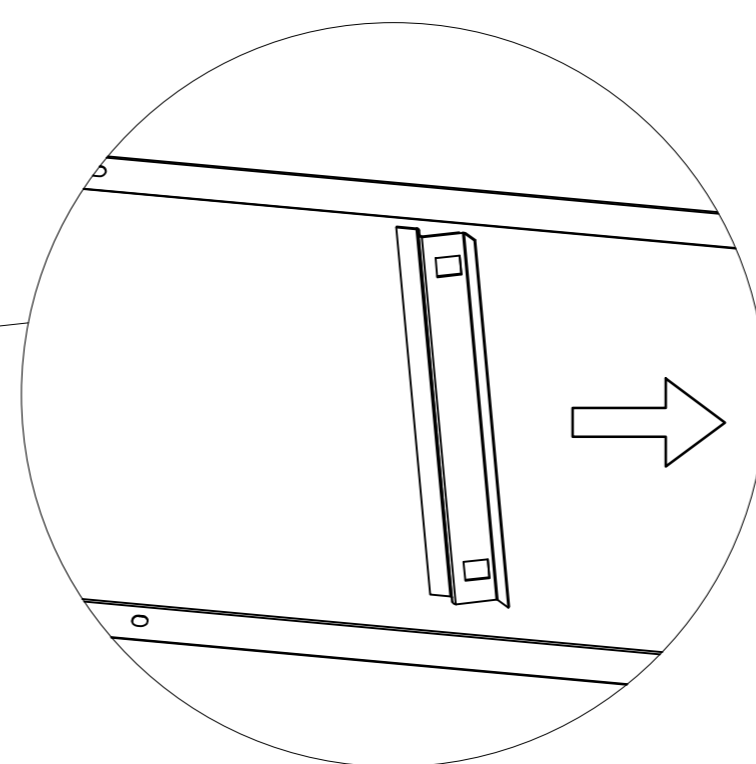
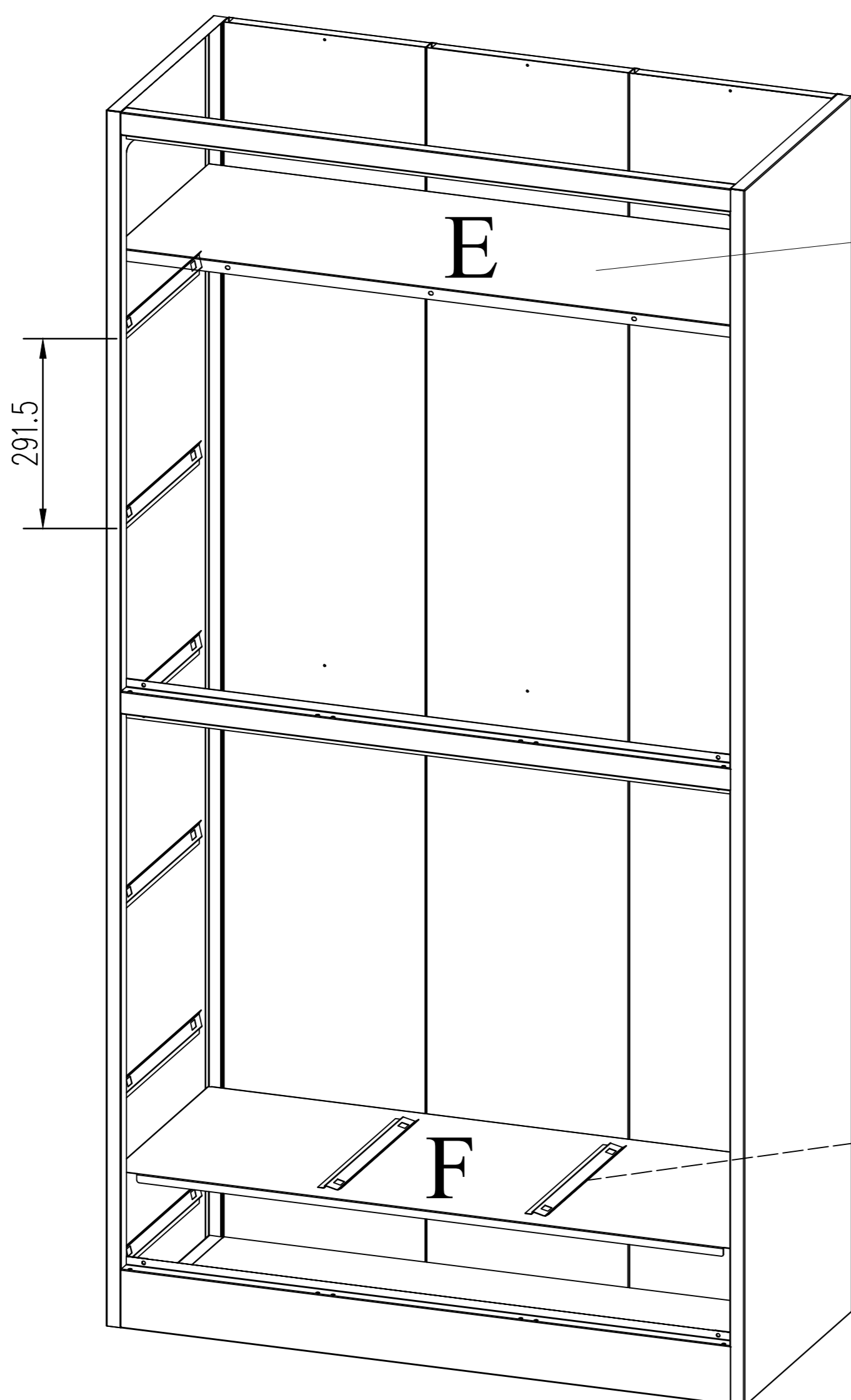


5

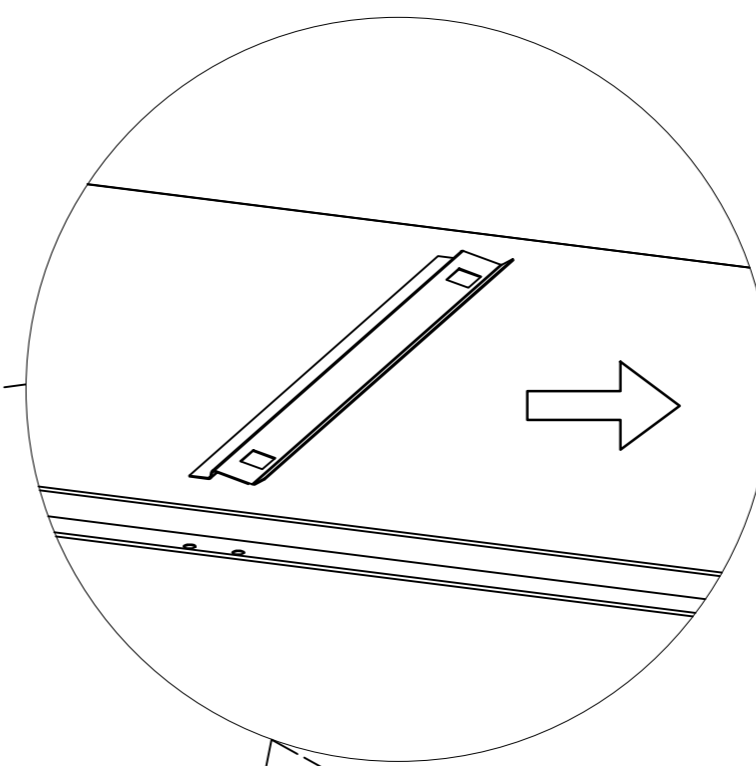


 Q×12

6

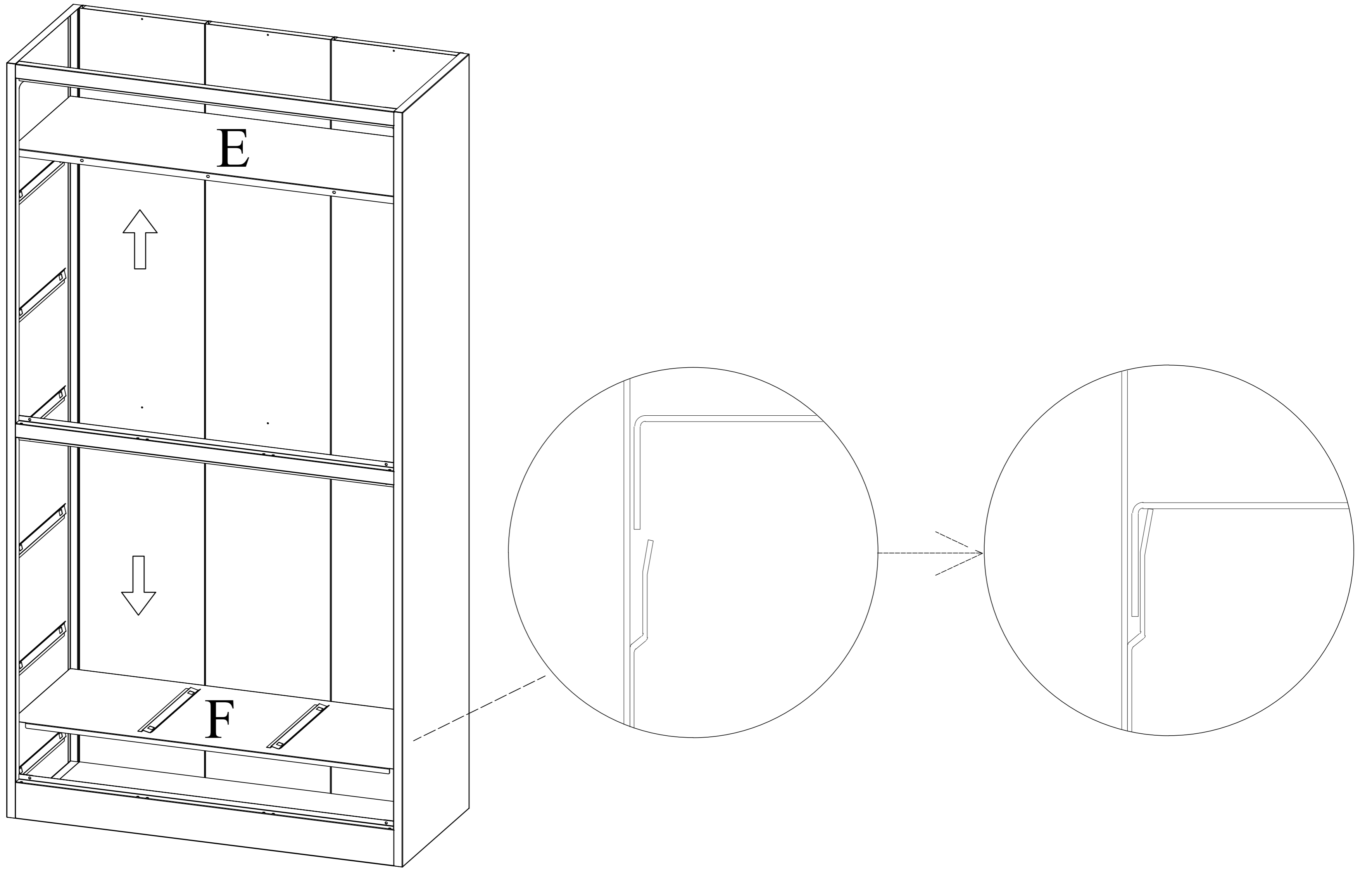


Please ensure that the opening direction is facing to the right

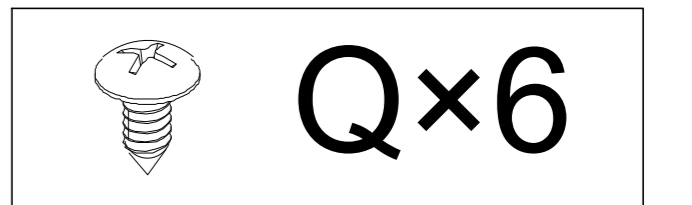
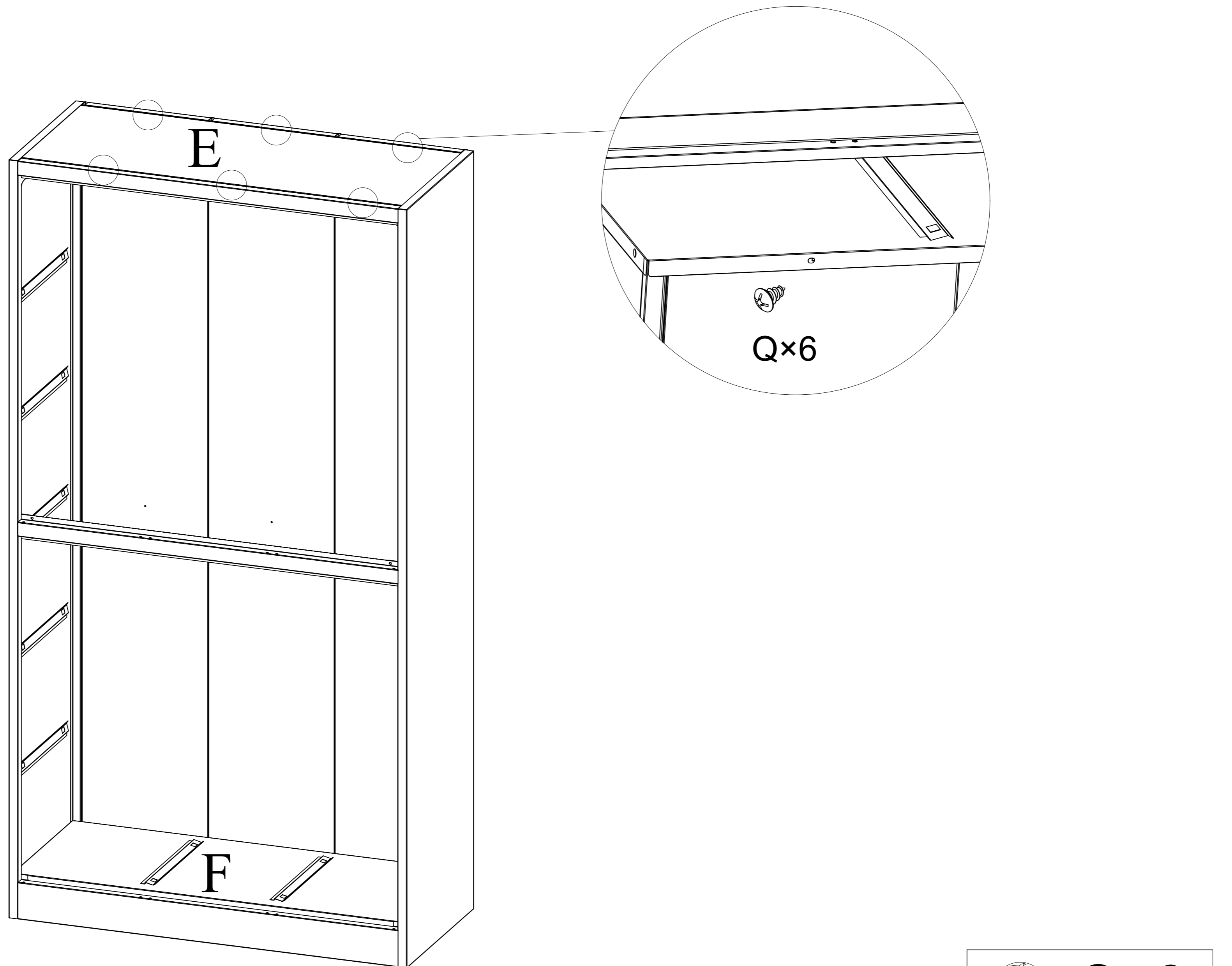


Please ensure that the opening direction is facing to the right

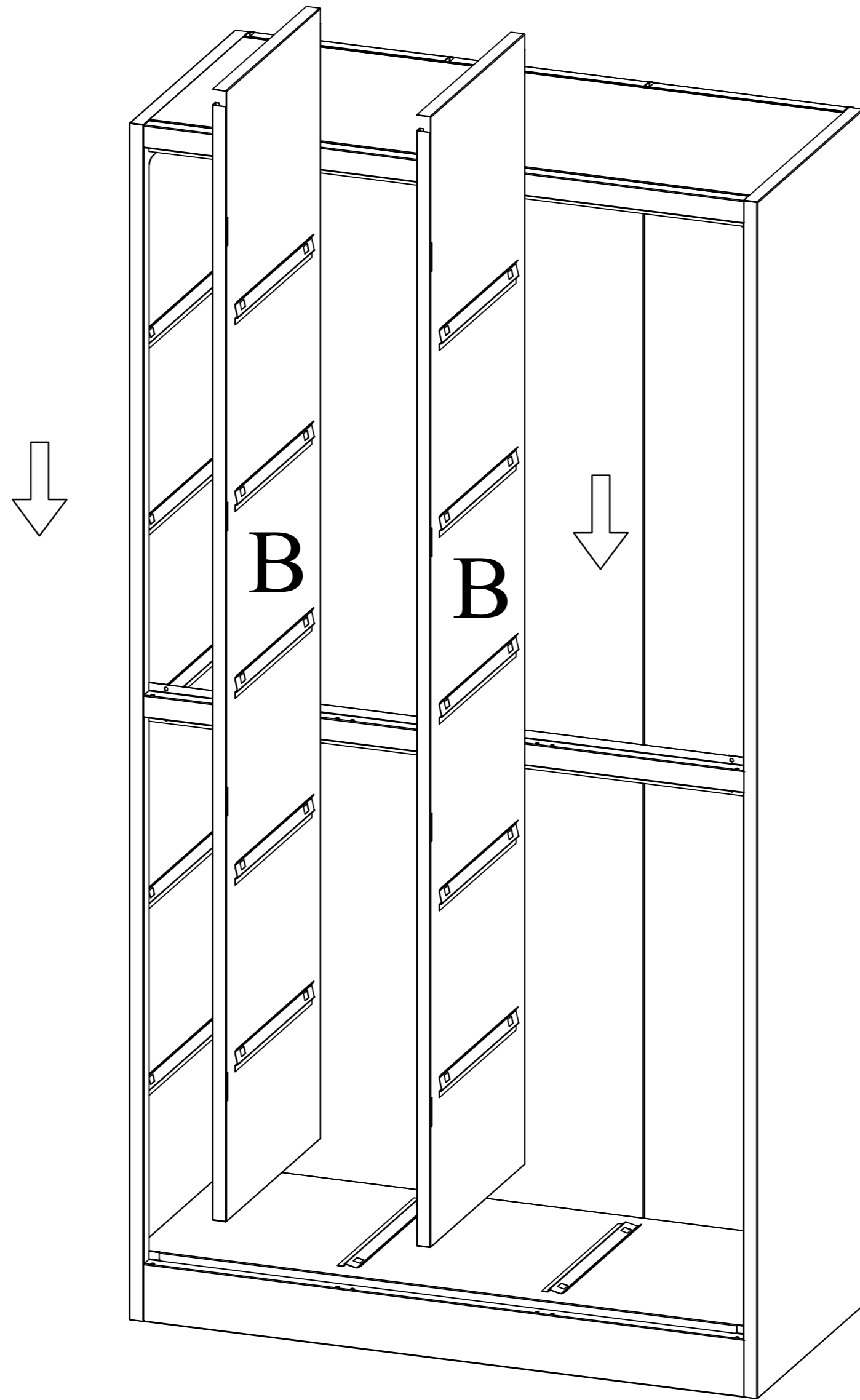
7



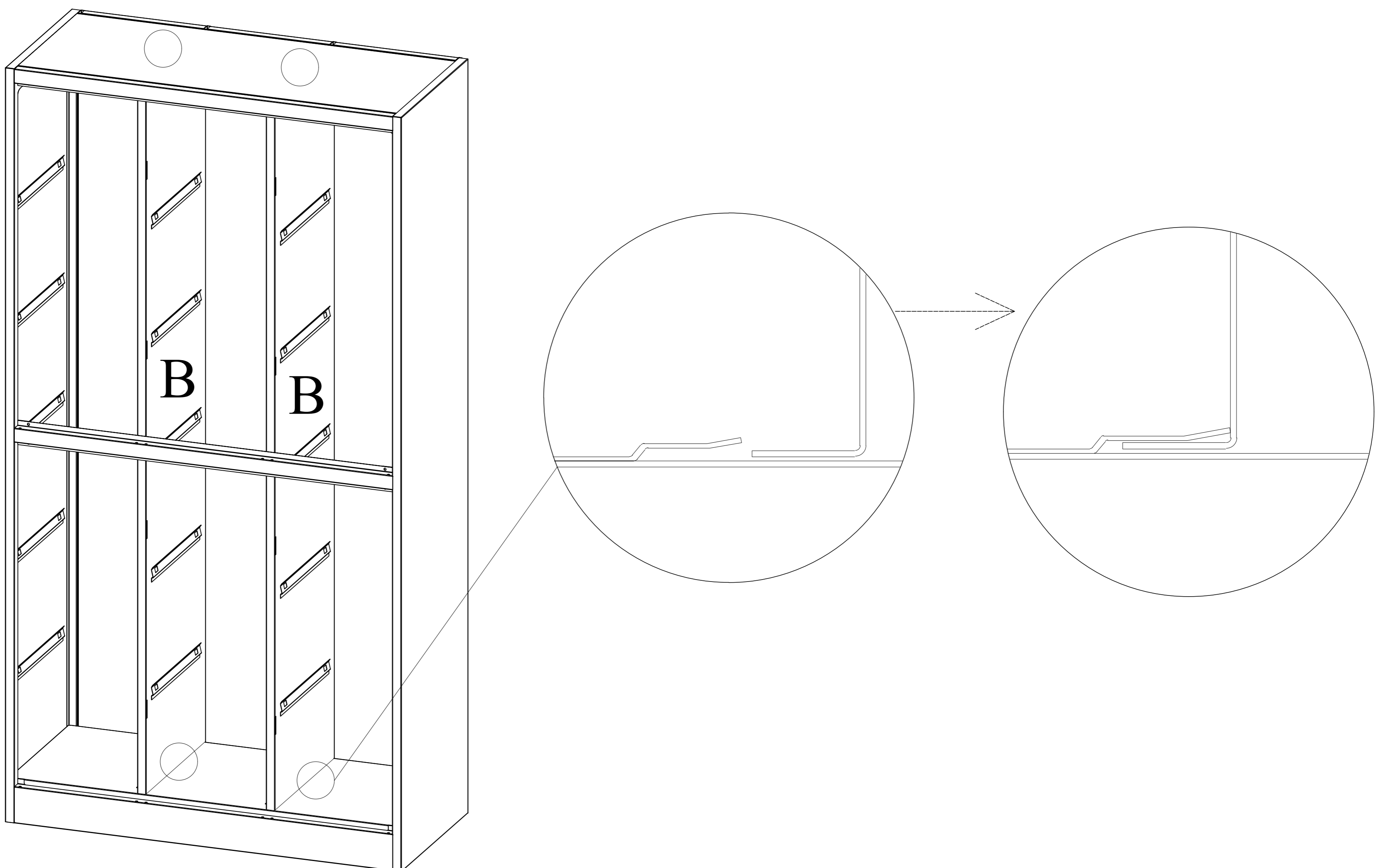
8



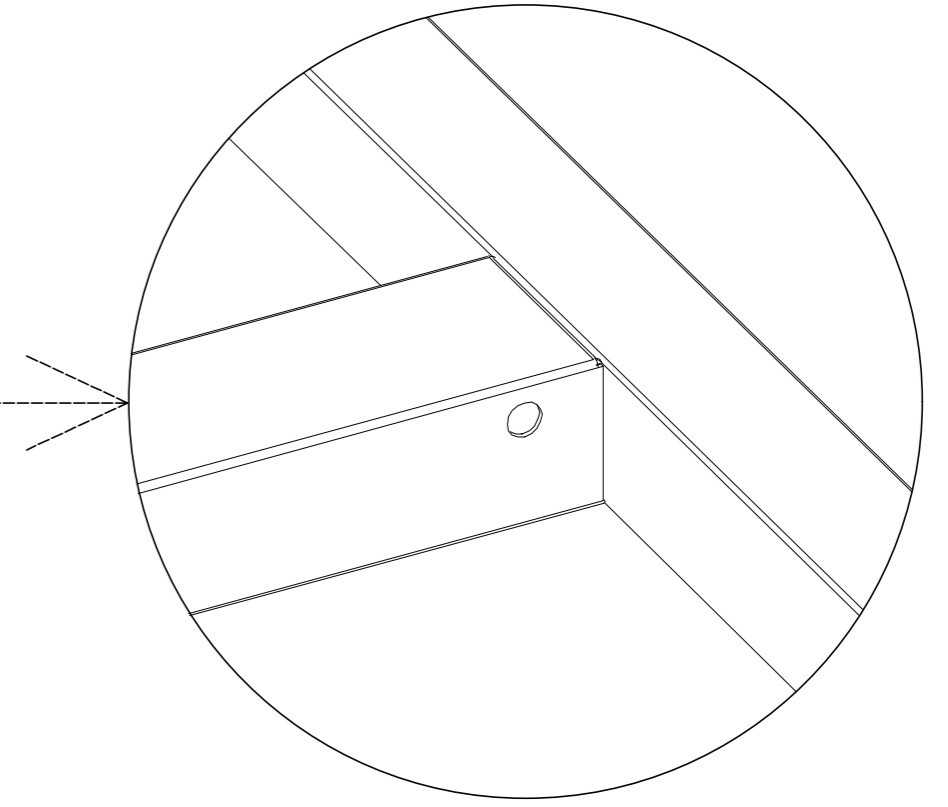
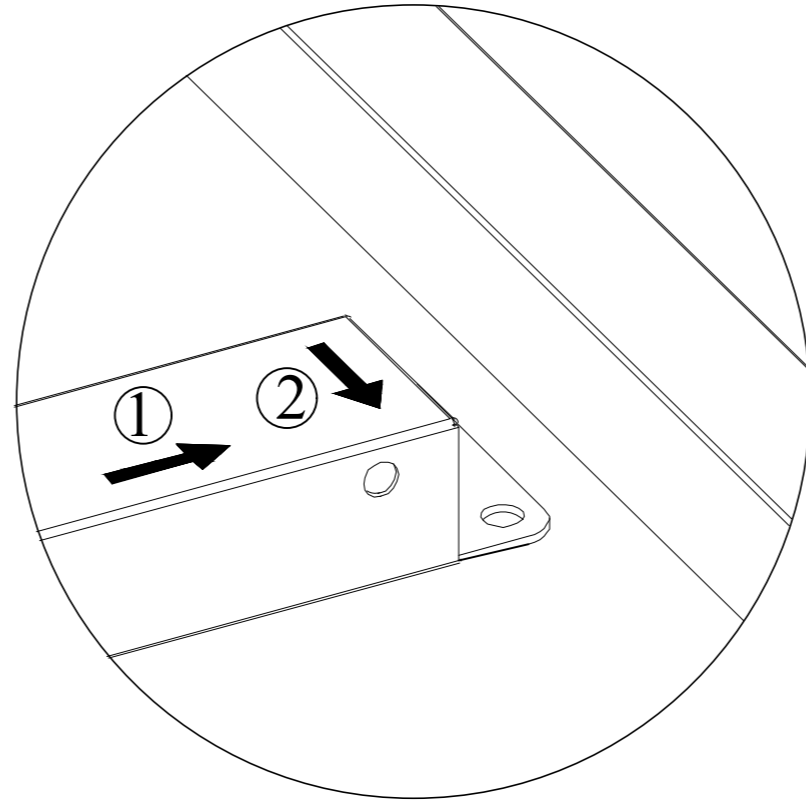
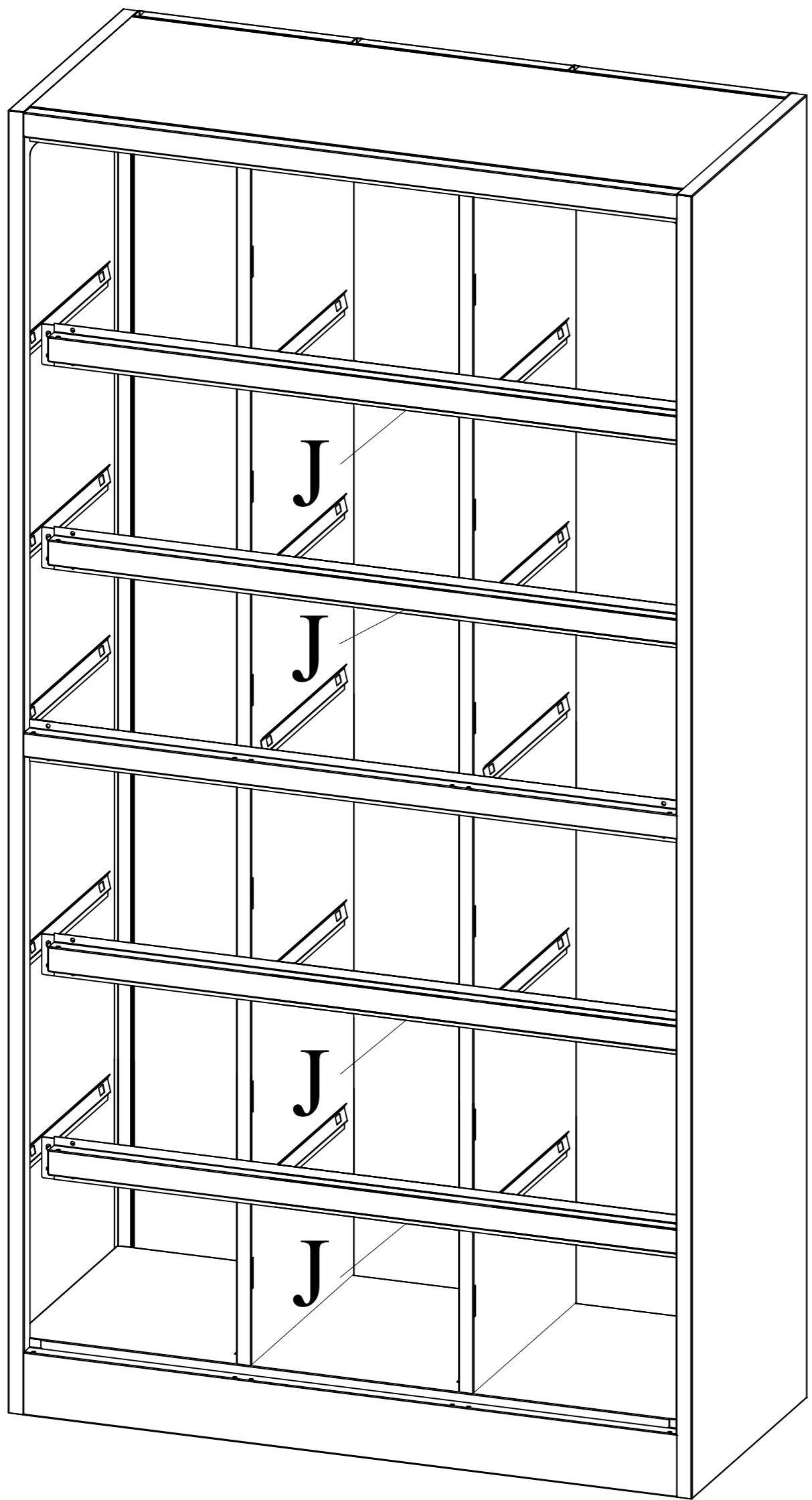
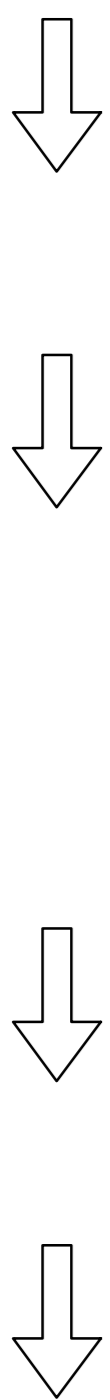
9



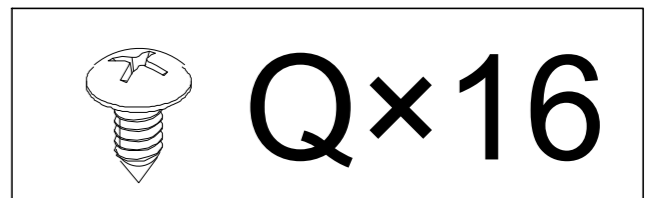
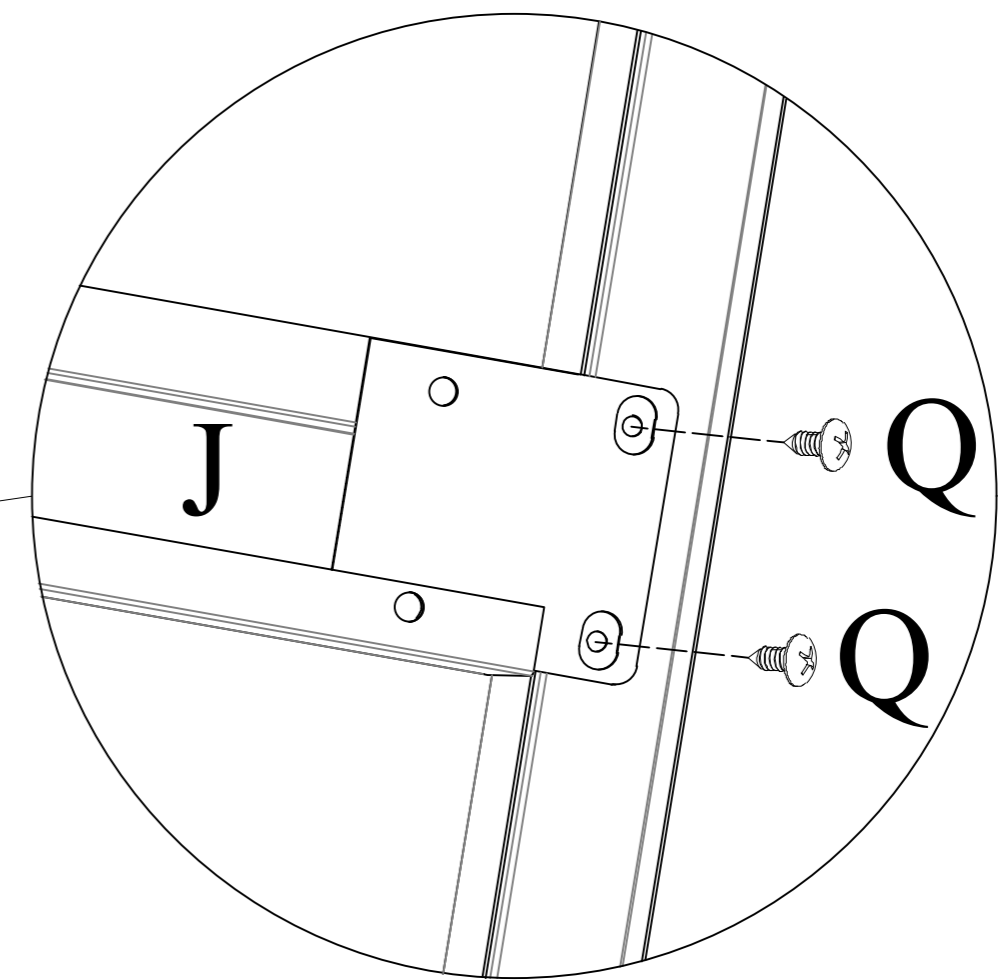
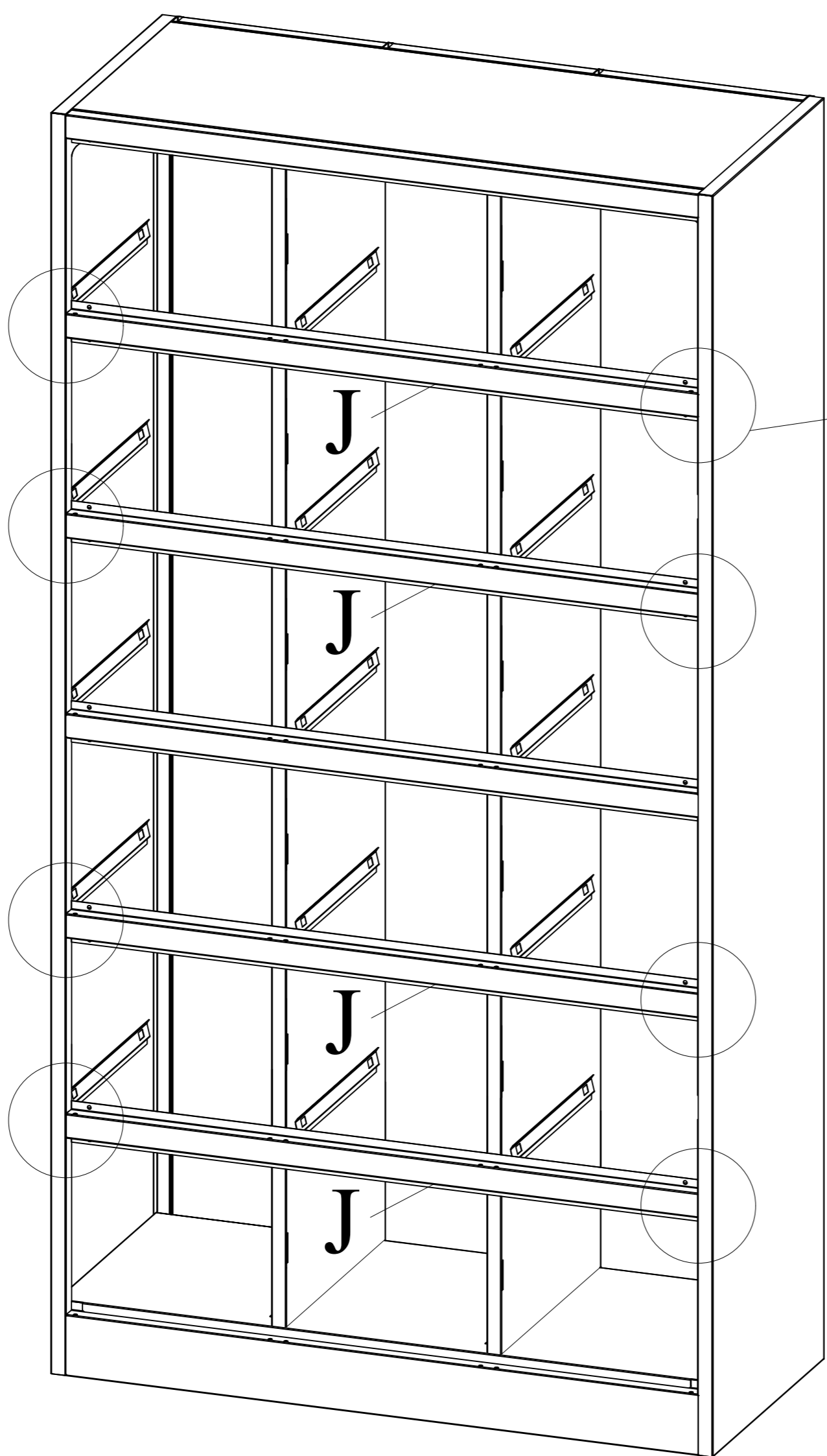
10



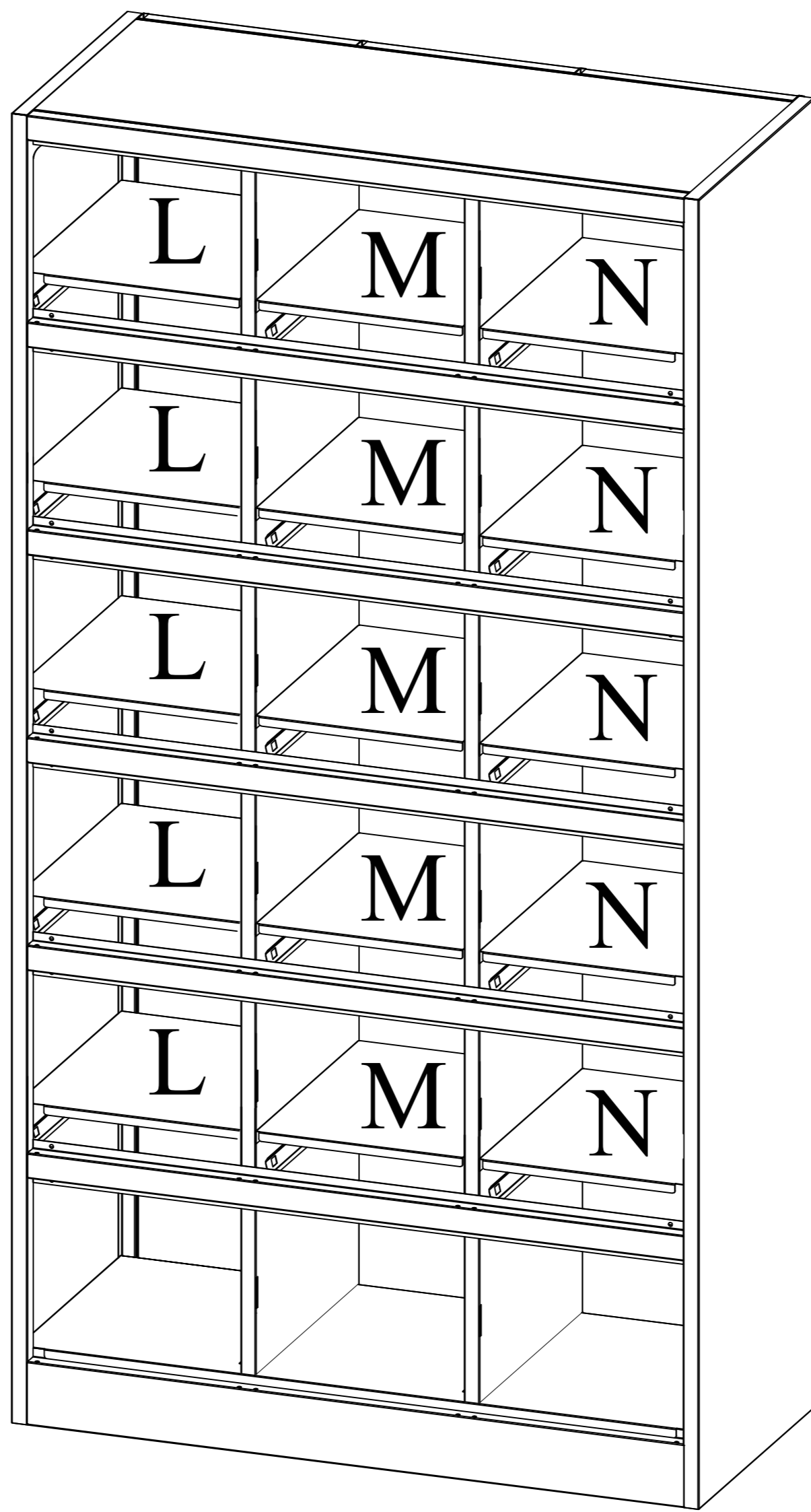
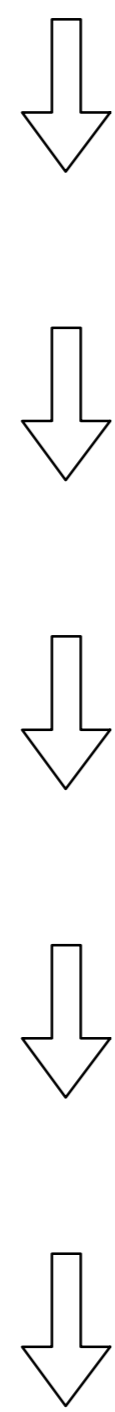
11



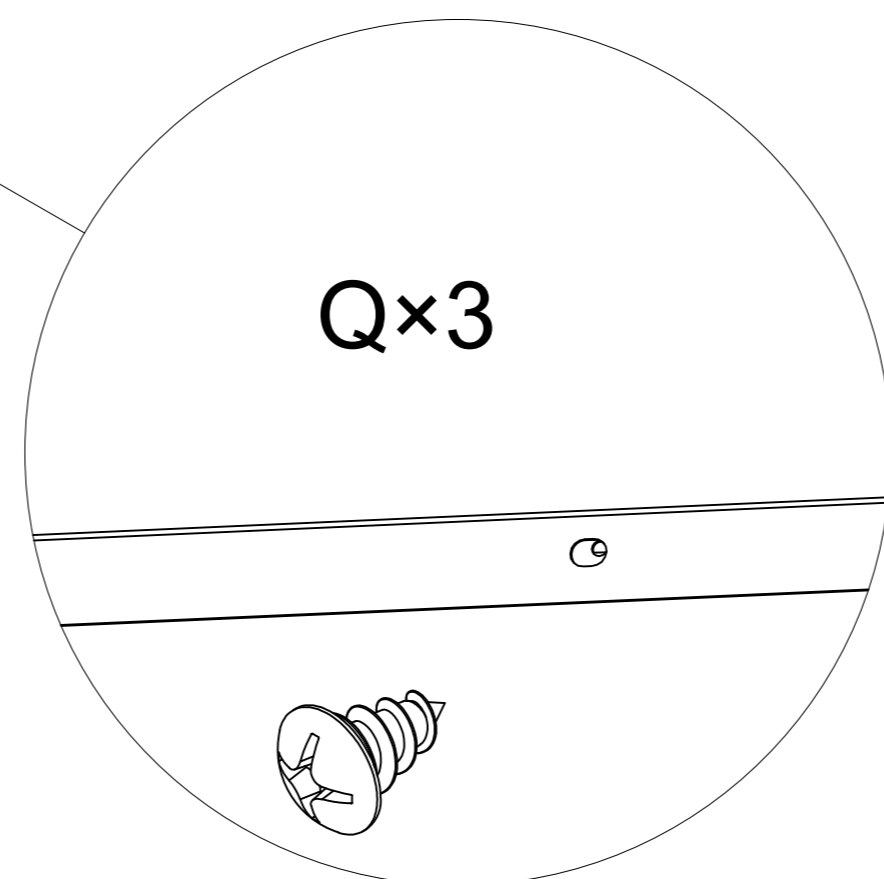
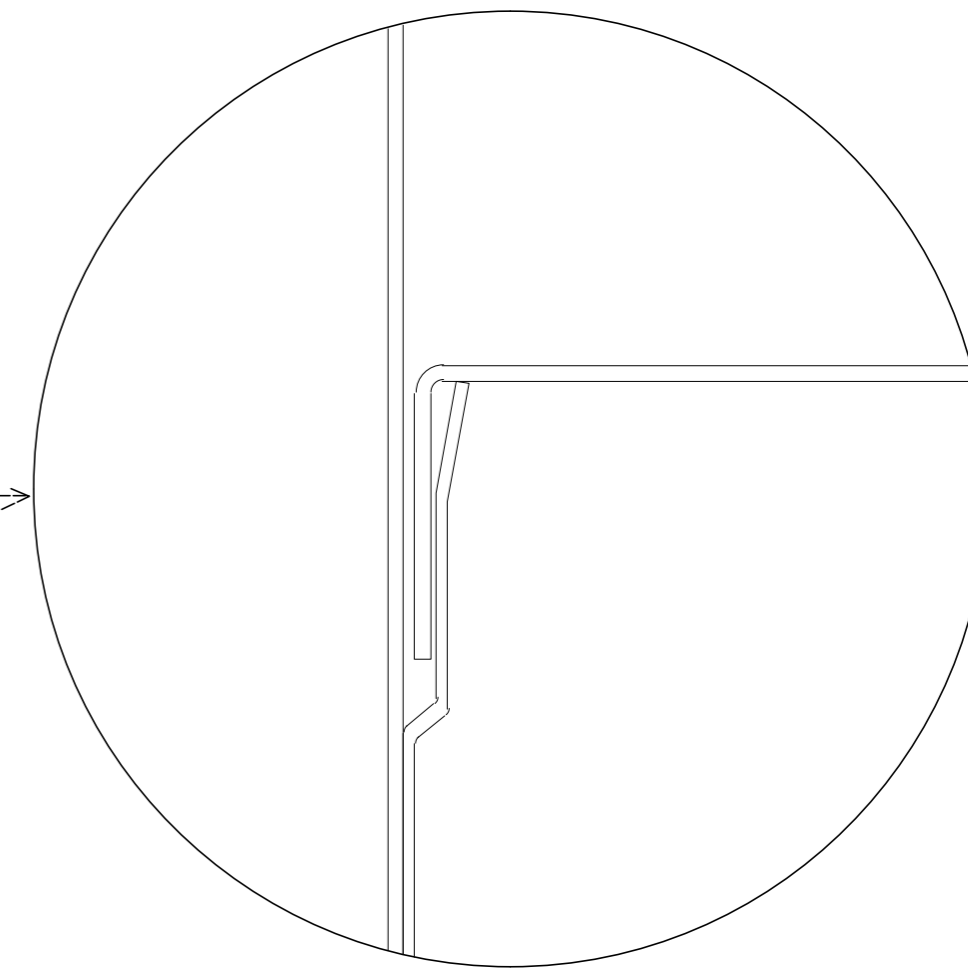
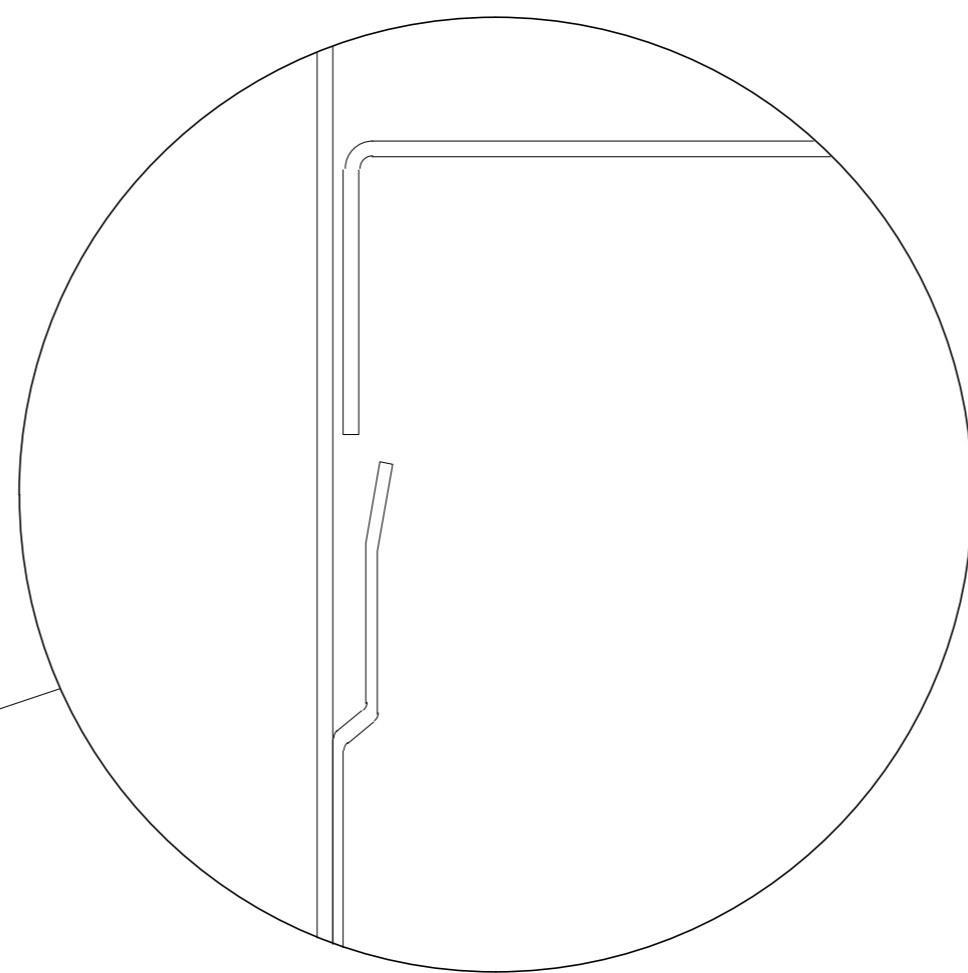
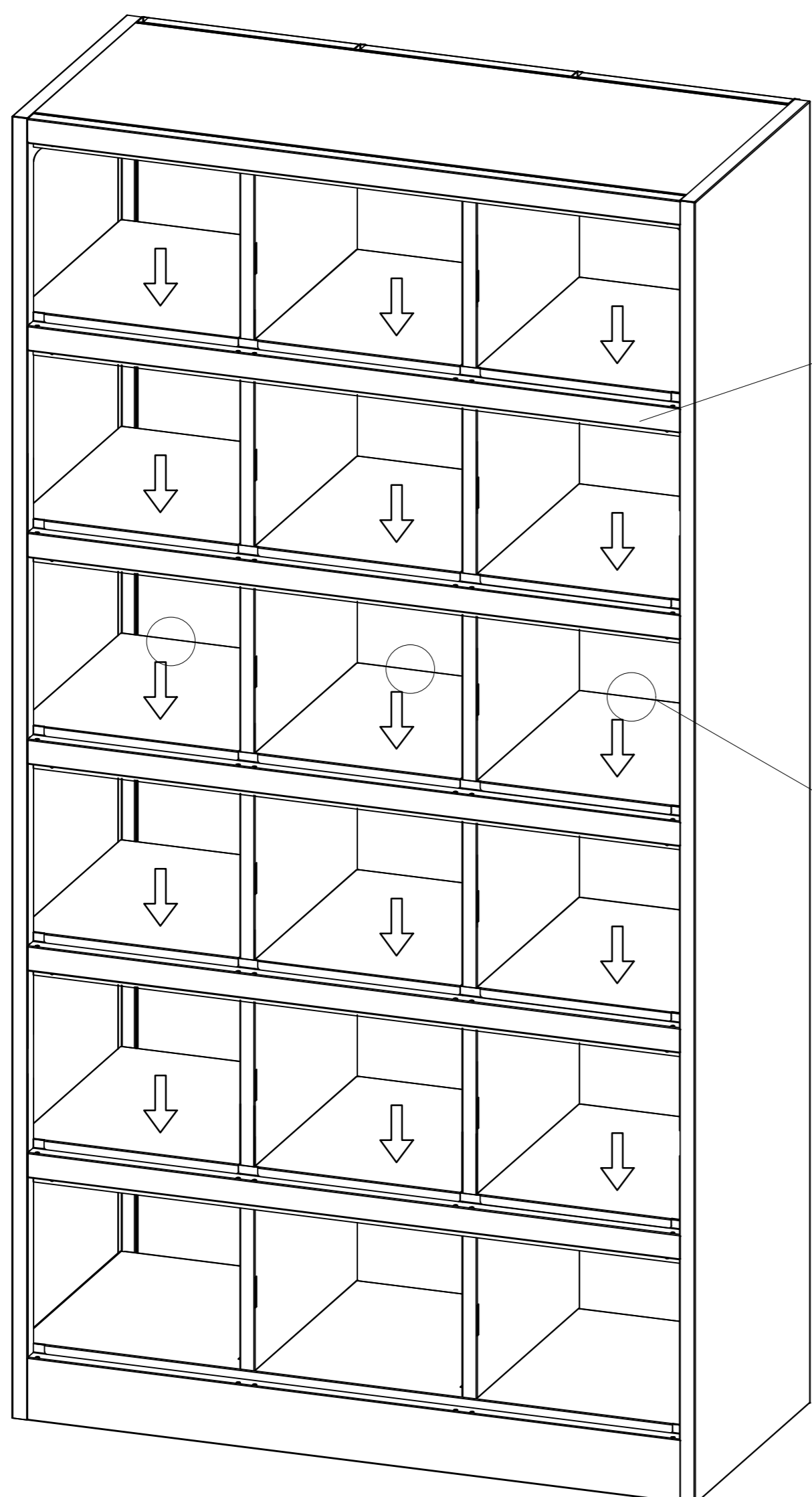
12



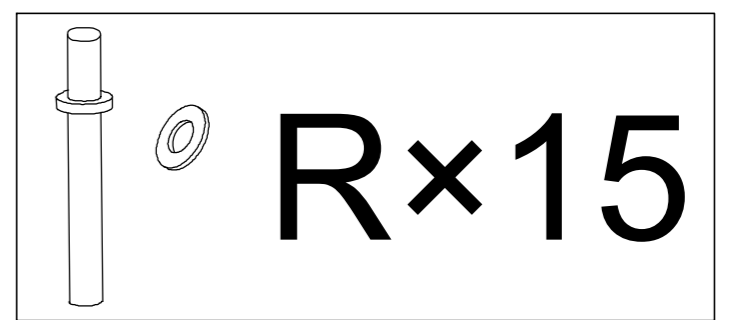
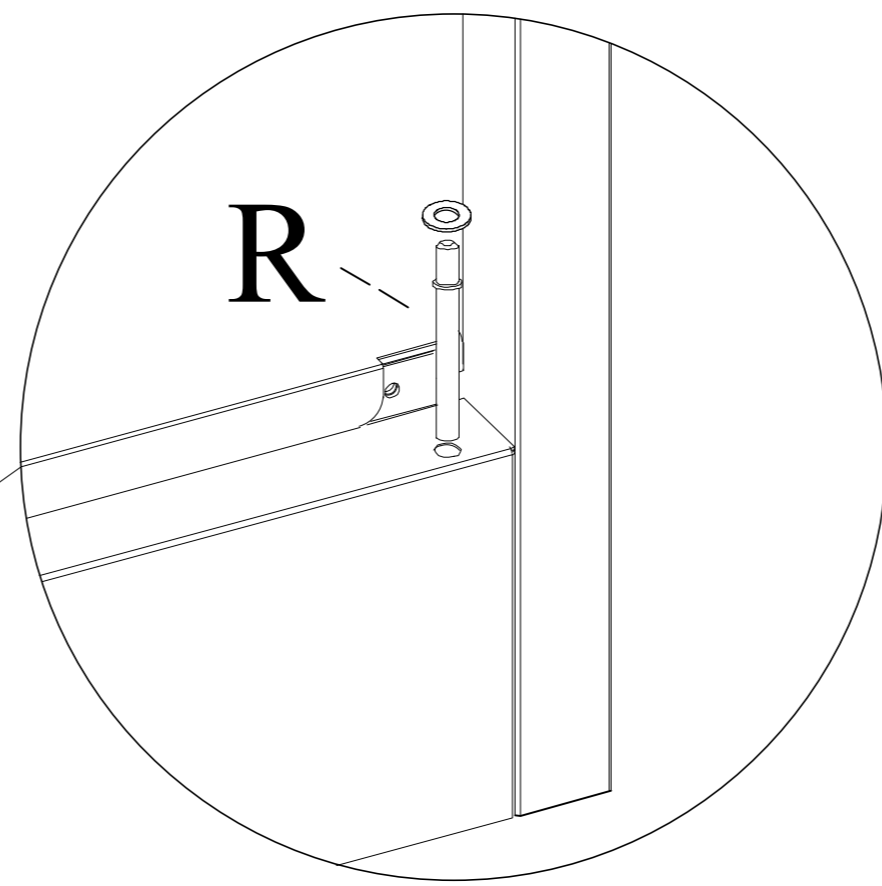
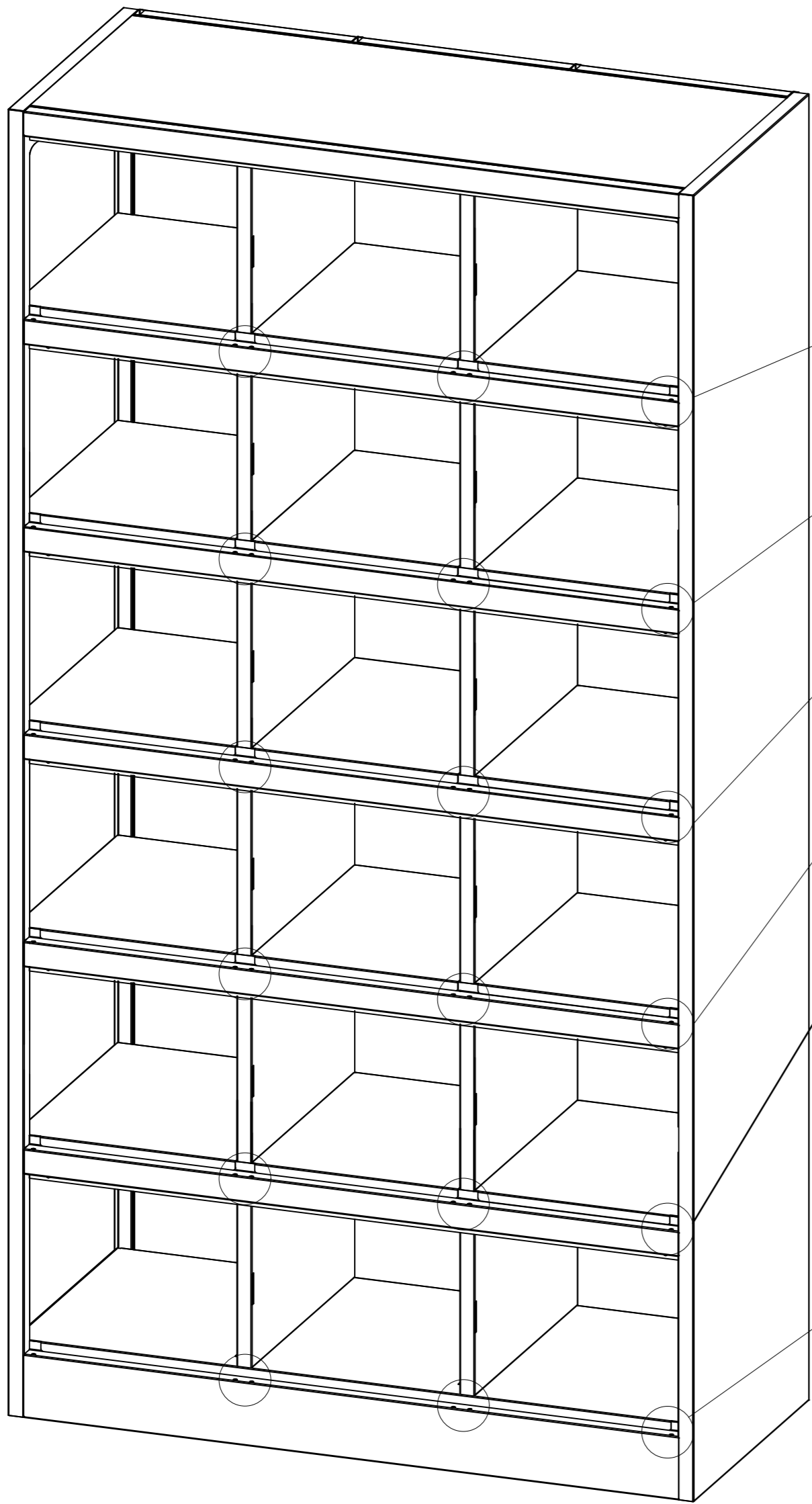
13



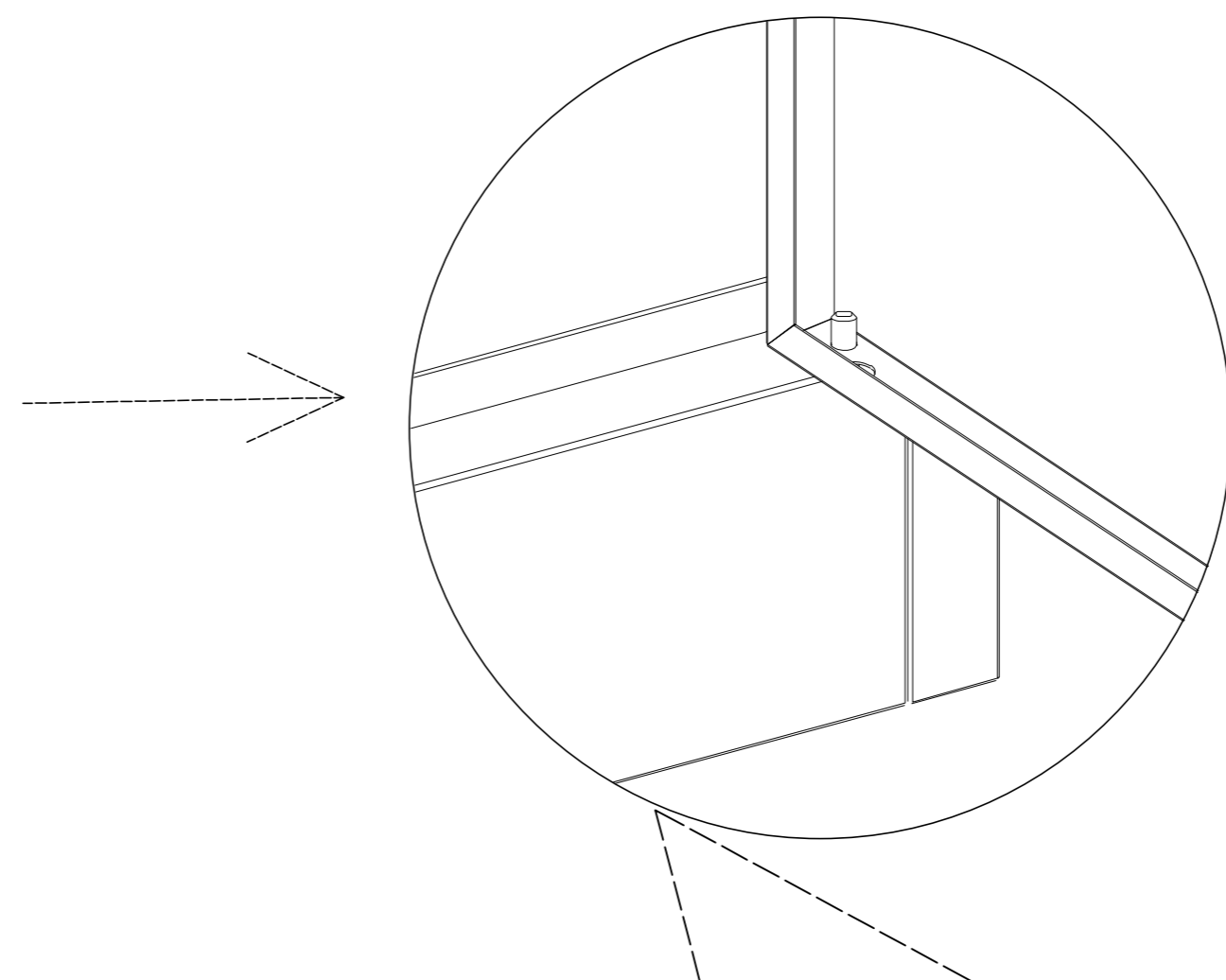
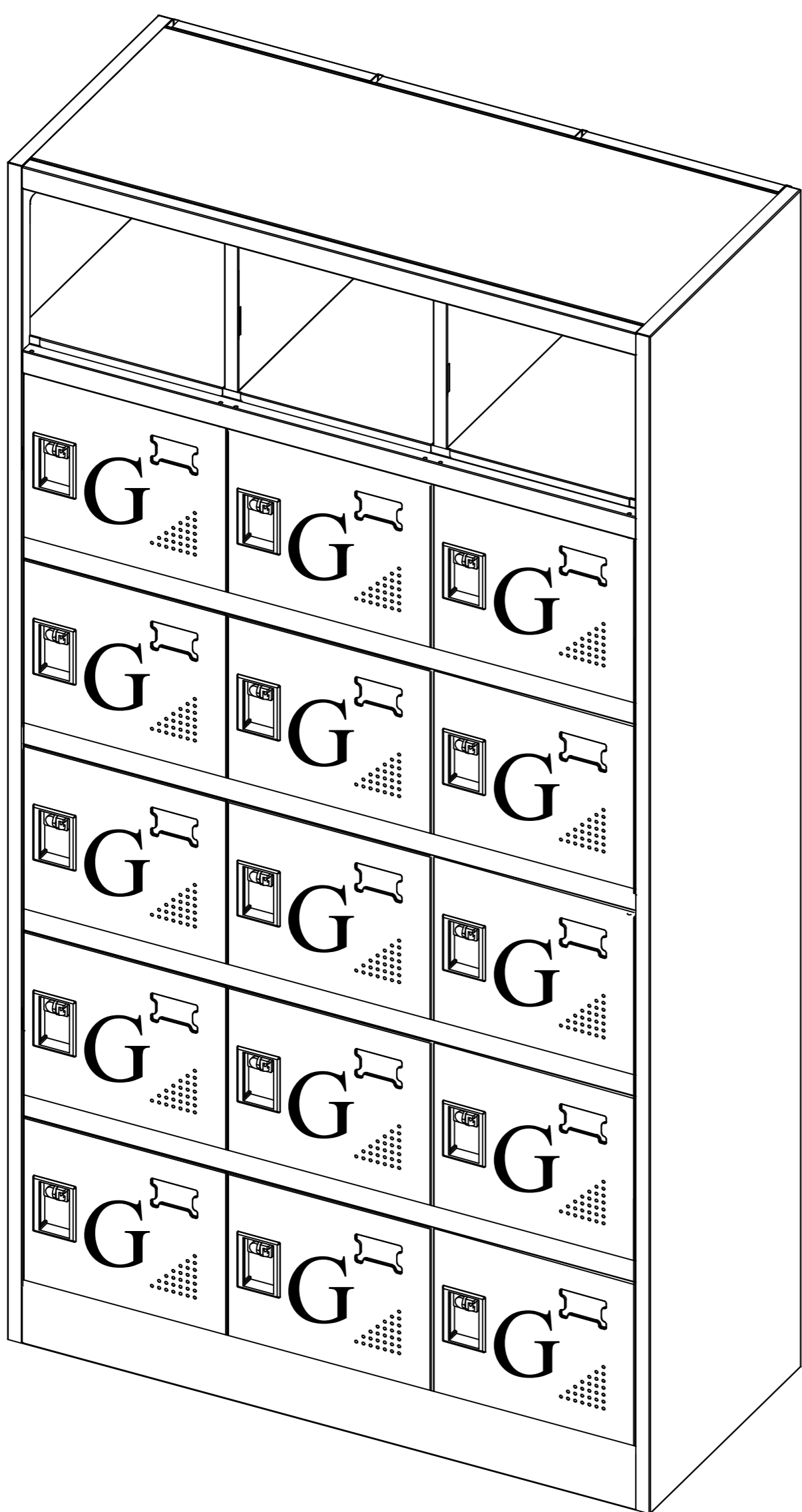
14



15

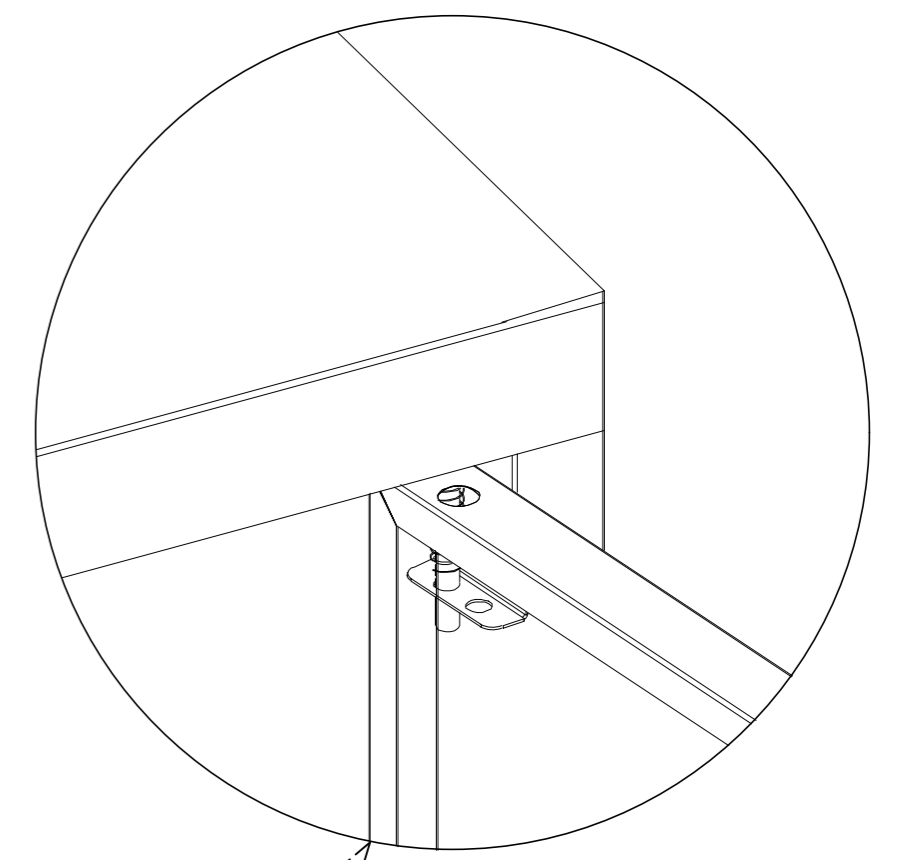
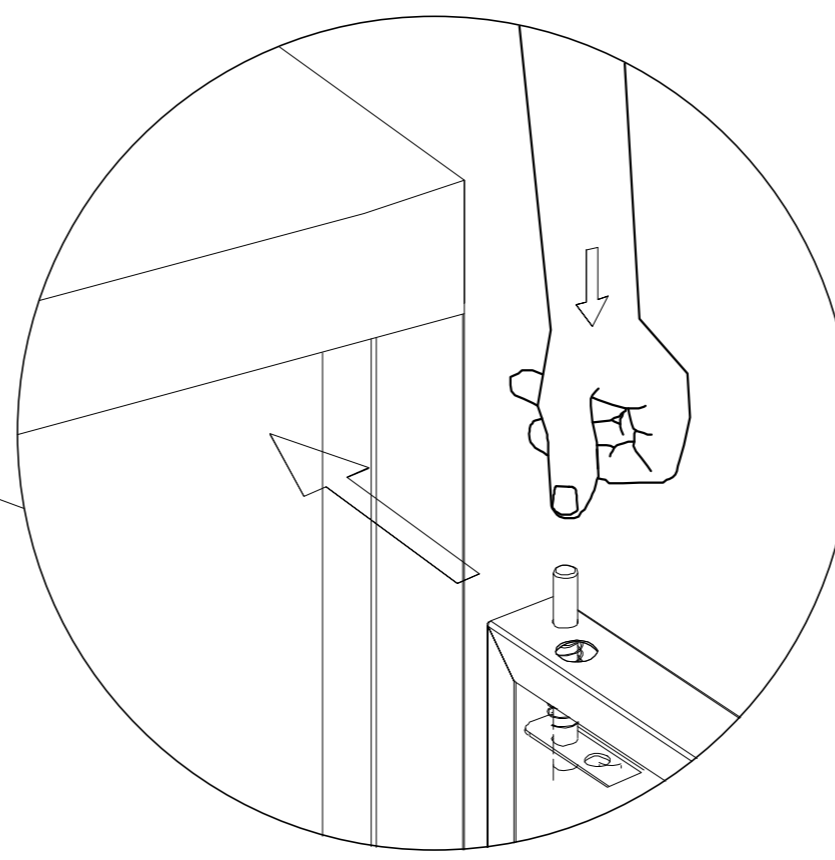
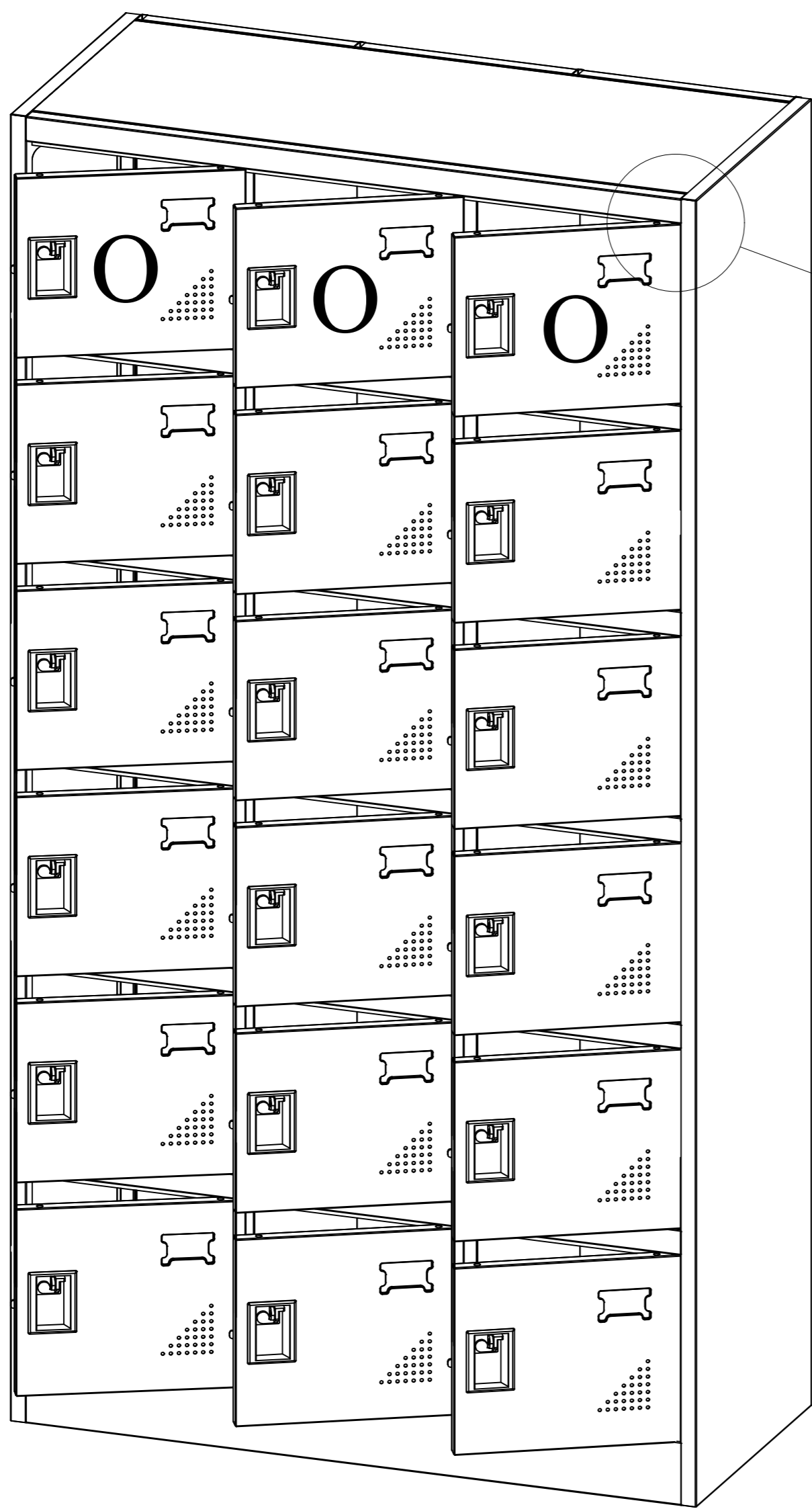


16



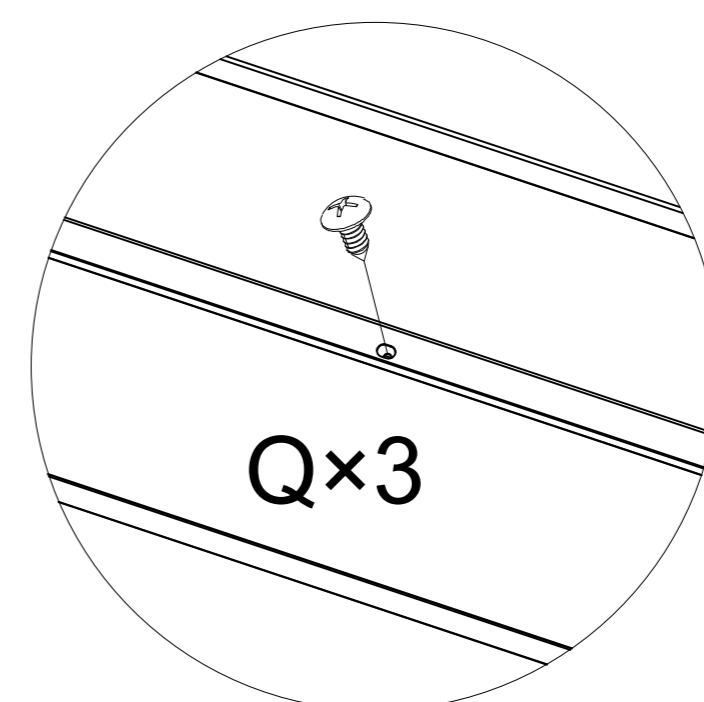
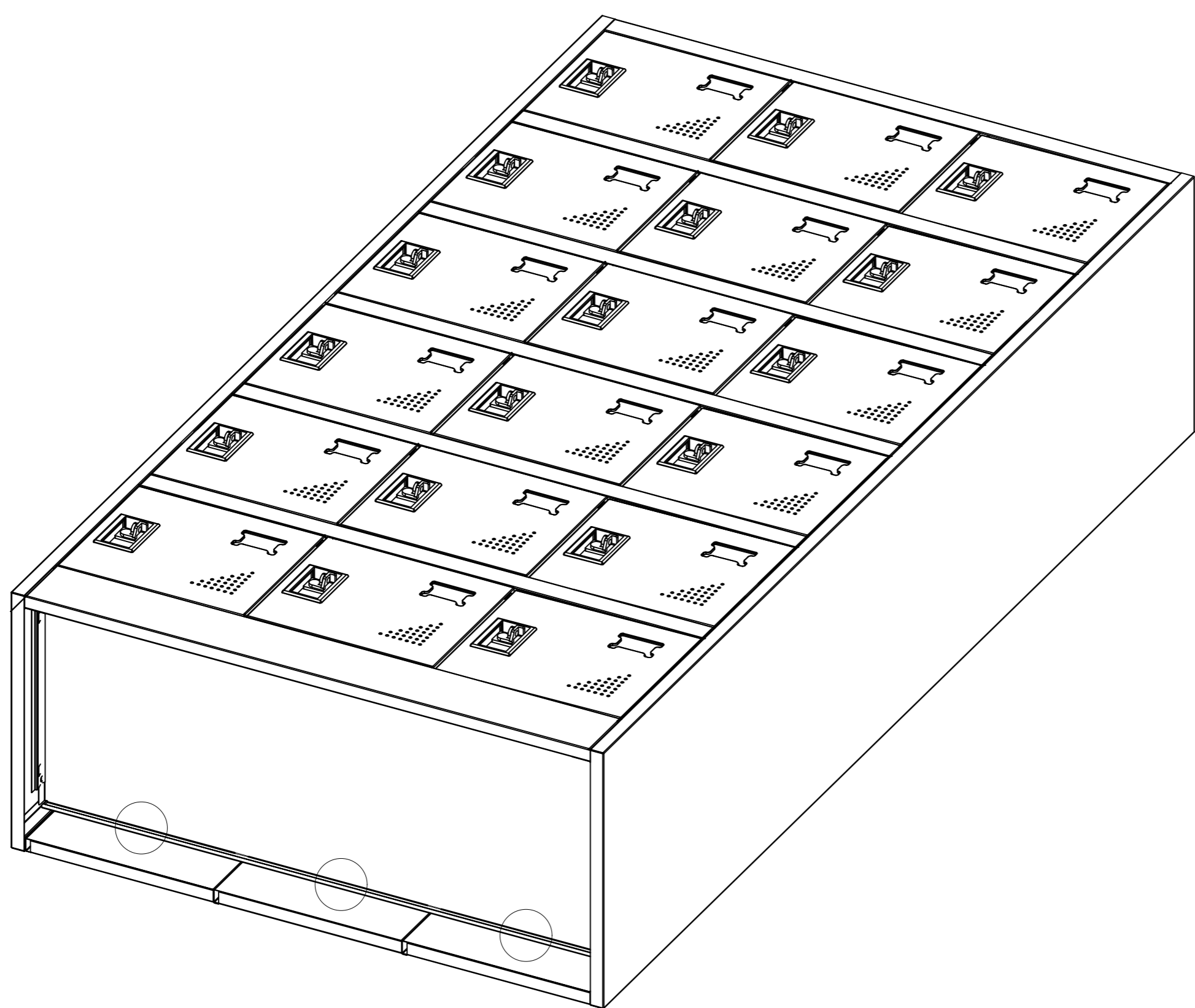
Please note that the steps without spring hinges are marked as G

17

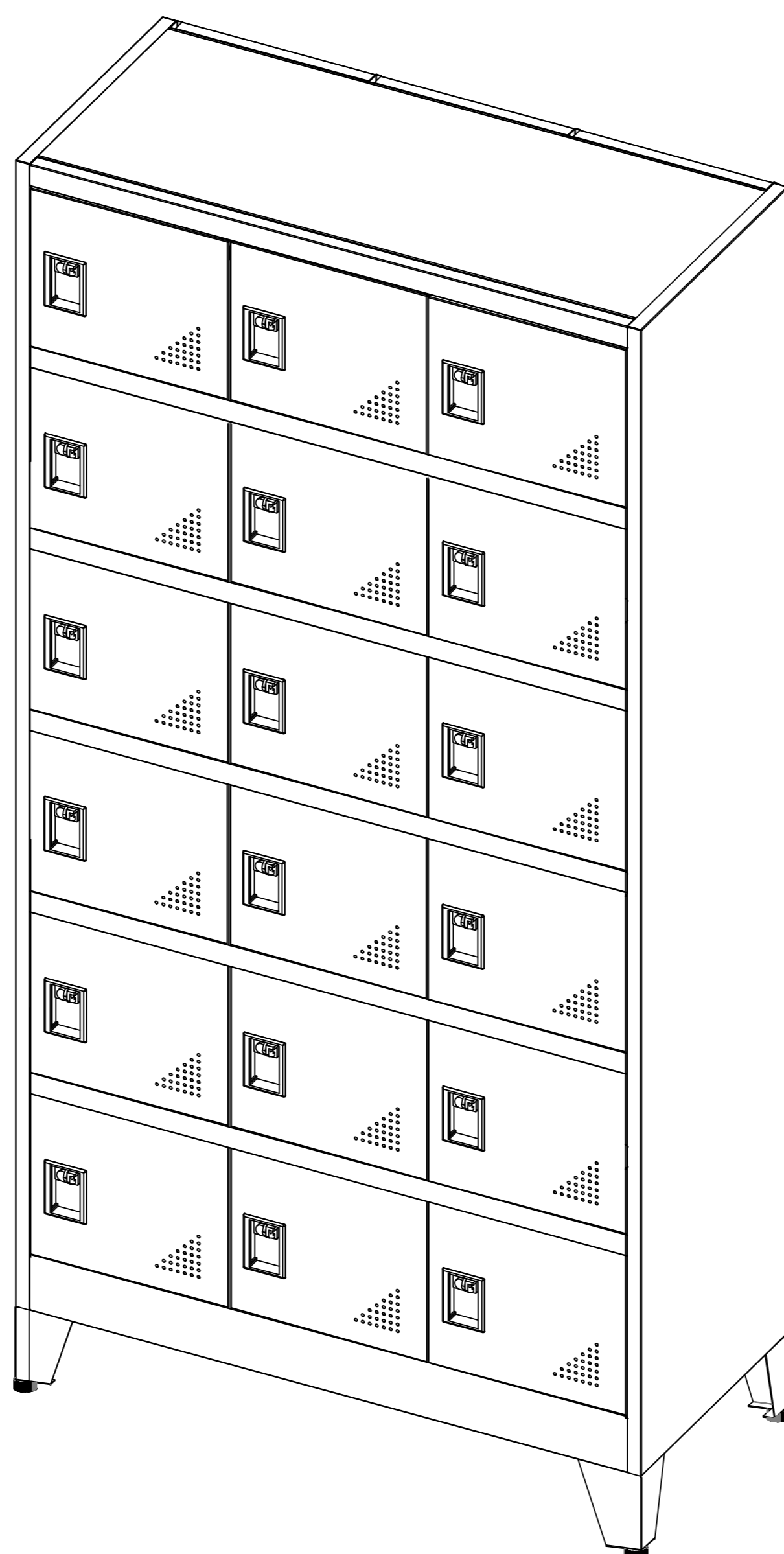
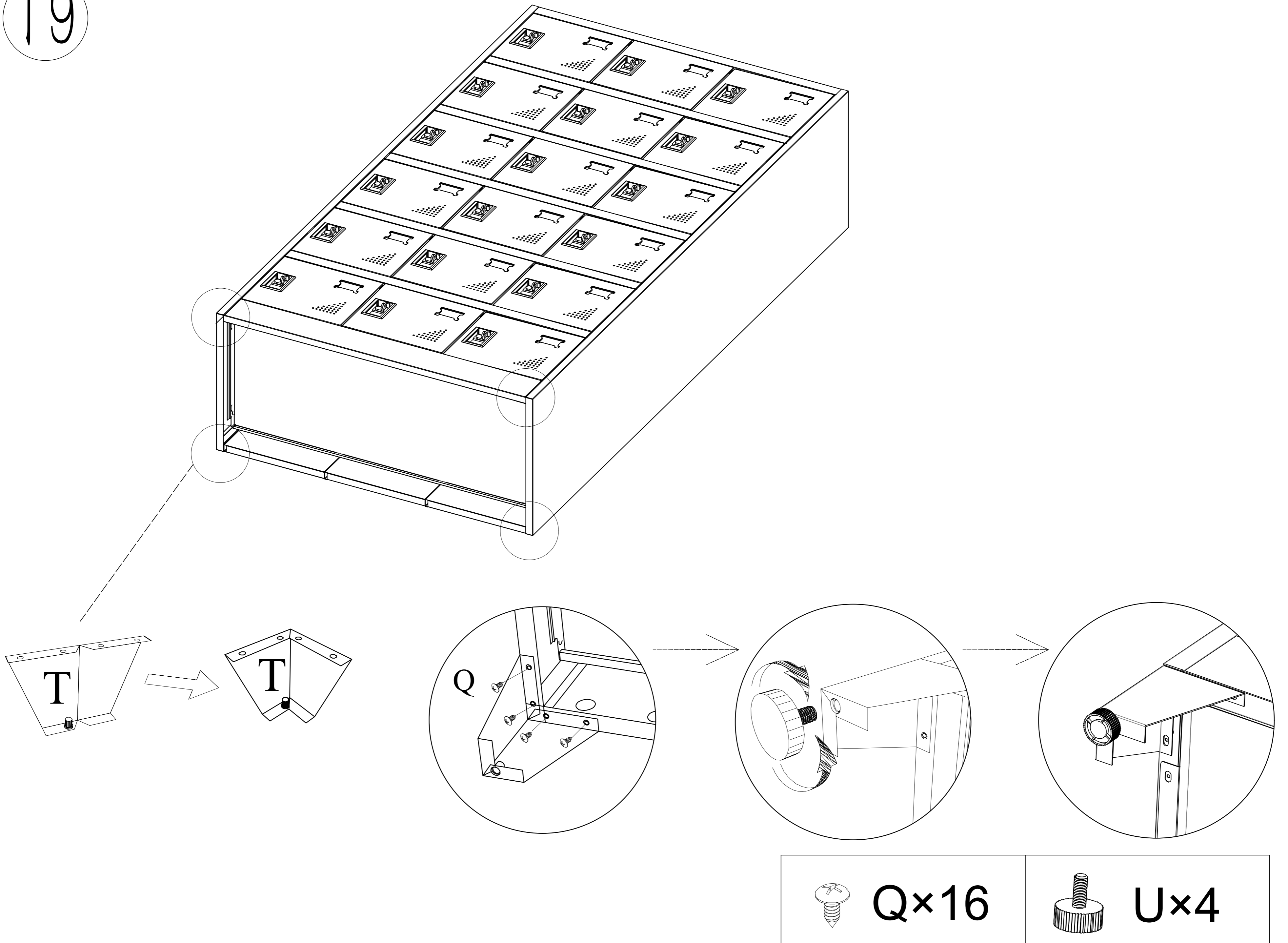


Please note that the step with a spring hinge is marked as O

18

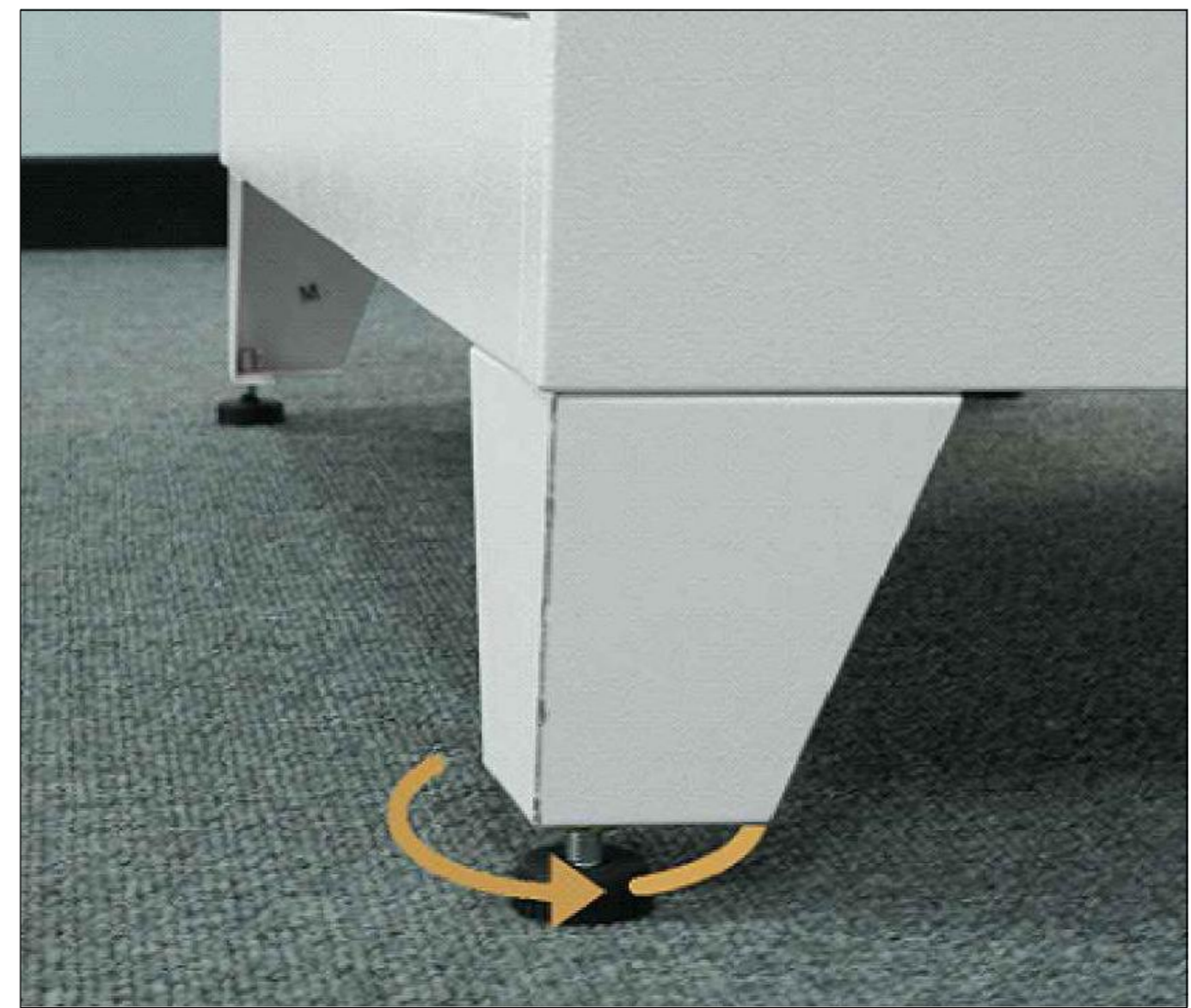
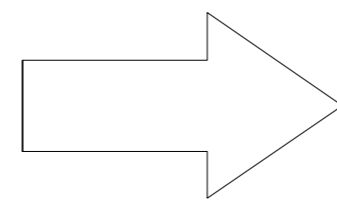
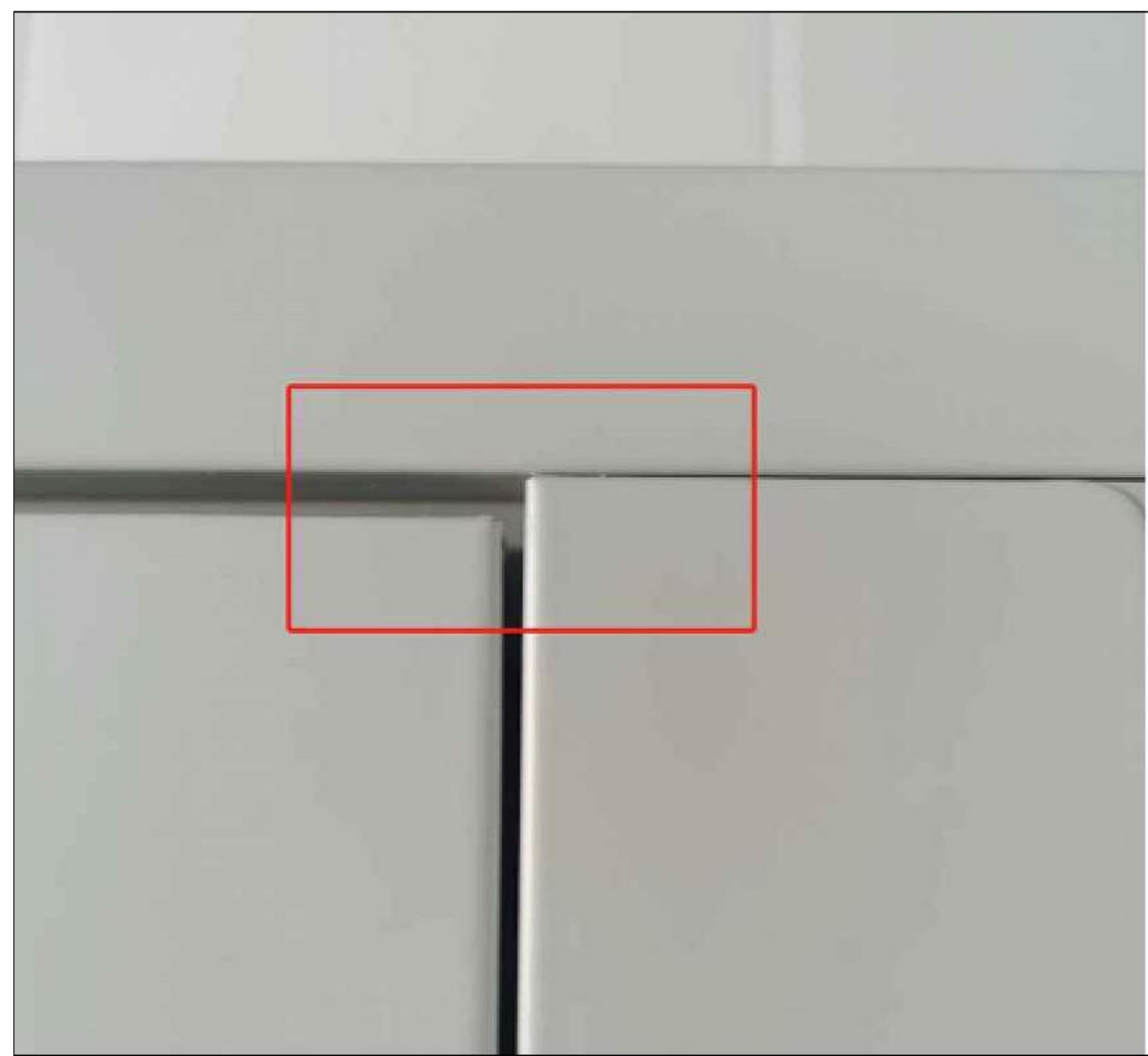


19



Problems and Solutions

Question 1: when encountering uneven height of two door panels, adjust the bottom adjustment foot to make it flat.



Question2 : When the door is closed, it still protrudes outward.

That's because the door is made of steel plate and has stretchability. You can adjust it according to the method shown in the picture.

