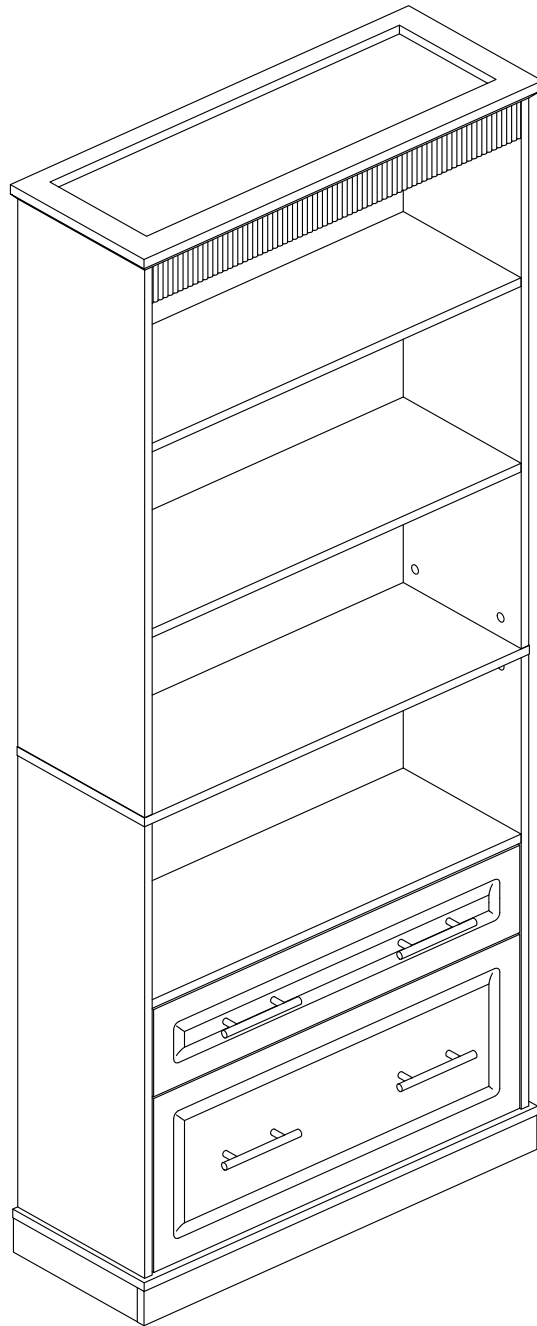


# Assembly Instructions



---

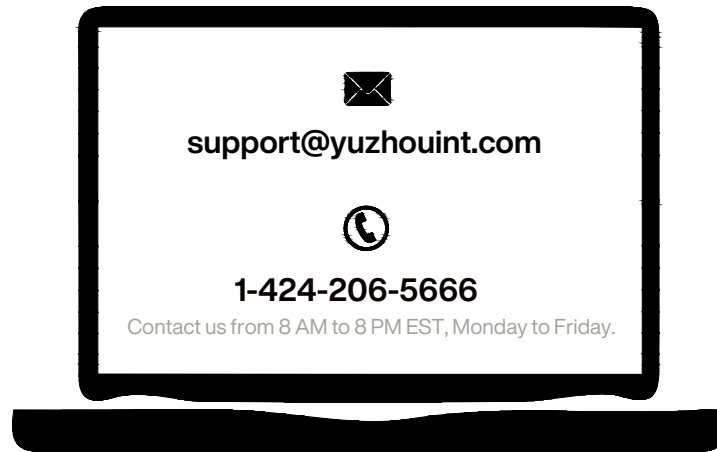
**File Cabinet**

Model No.  
**HOGA-J0466**  
**HOGA-J0467**

---

# Contact Us

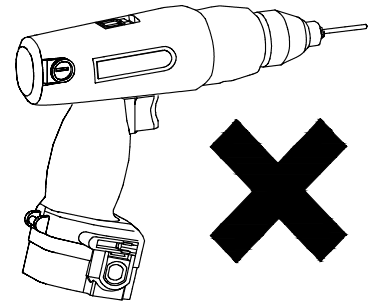
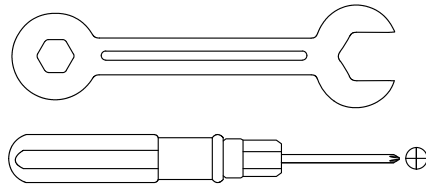
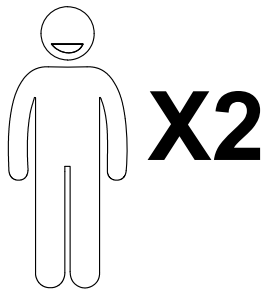
## We're here to help you.



Your satisfaction is our top priority. If you encounter any issues with this product, such as missing or damaged parts, we're here to help. Please retain the original packaging and take photos of the packaging and the product, then contact us as soon as possible.

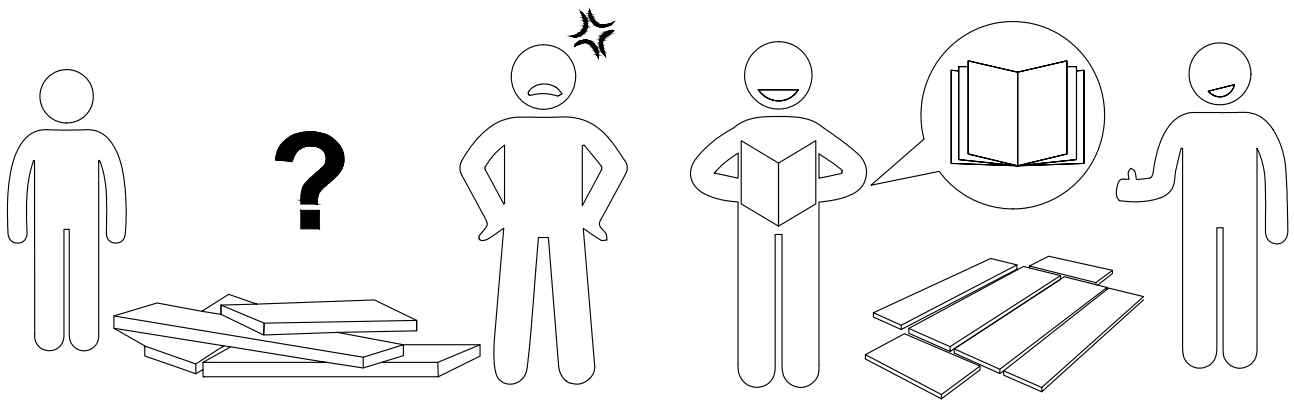
### Warm Tips

1. Carefully read these instructions and keep them for future reference.
2. Check the parts list and confirm everything's there before starting assembly.
3. When assembling, put all parts on a soft, smooth surface like a carpet to avoid scratches.
4. Don't fully tighten screws until all parts are confirmed in place to avoid misalignment.



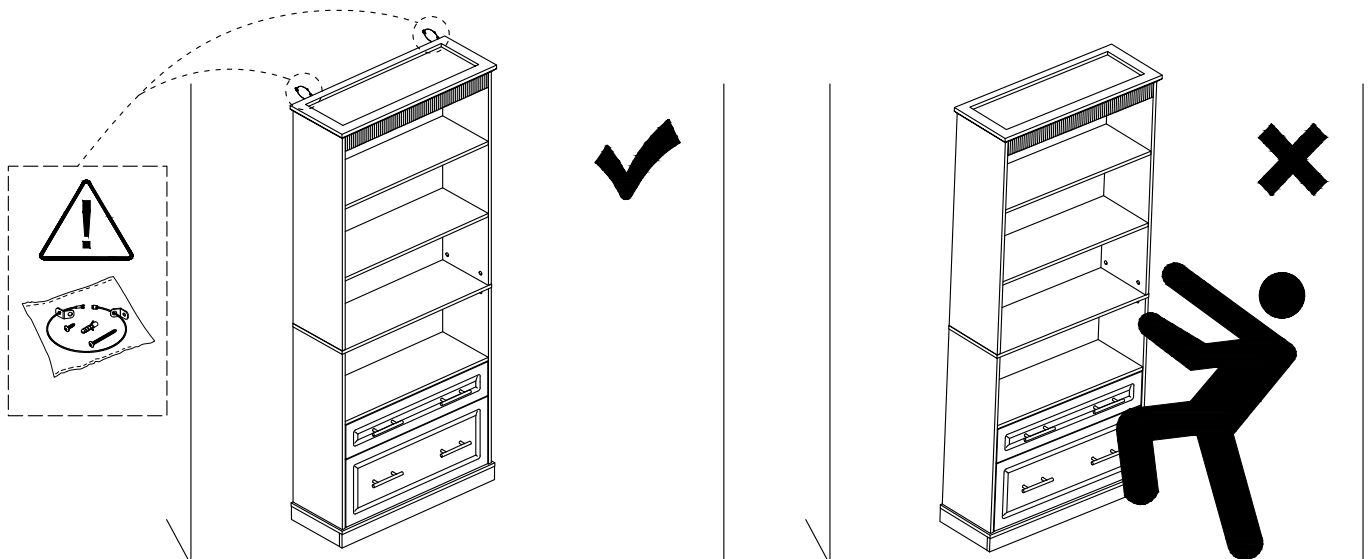
We recommend using hand tools for assembly.

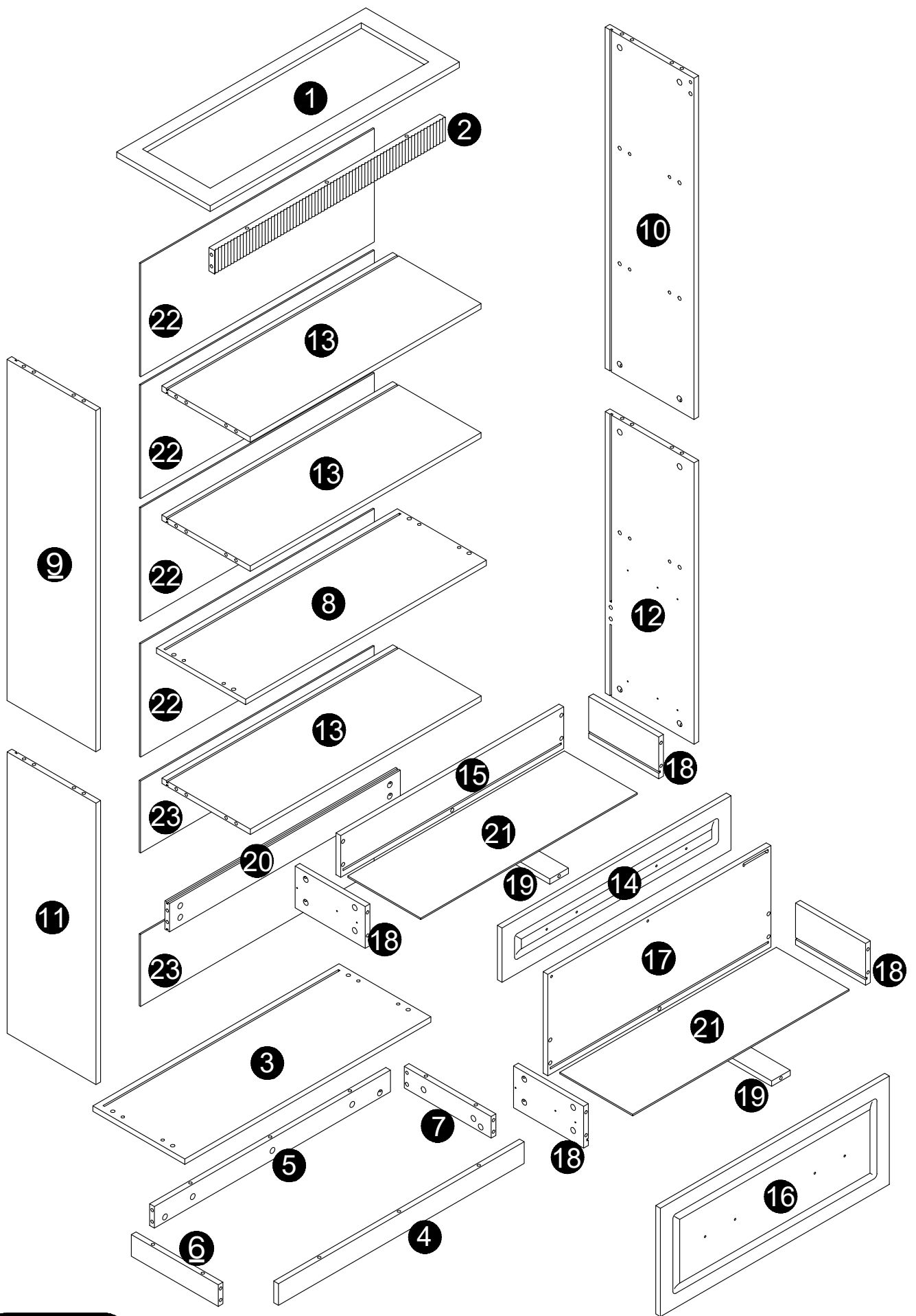
If an electric screwdriver is used, reduce power and torque to avoid damage to the product.



## Install the Anti-Tip Straps

Using the anti-tip straps can reduce the risk of tipping over, but can not eliminate it.

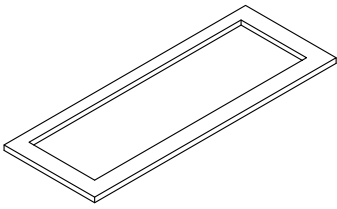
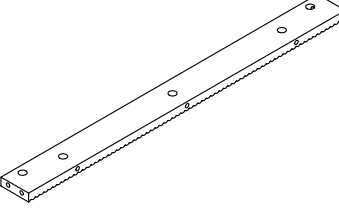
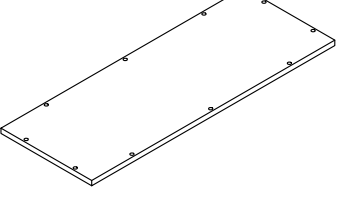
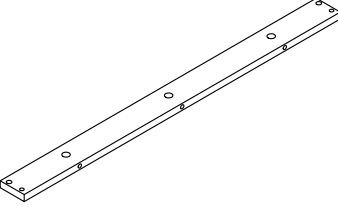
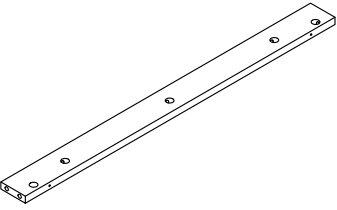
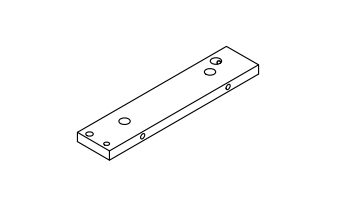
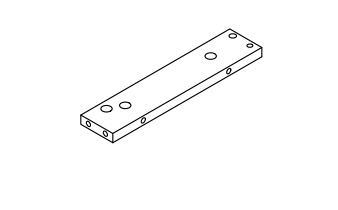
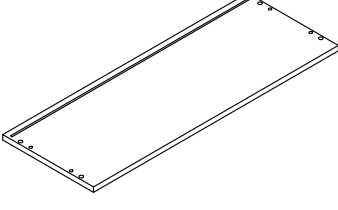
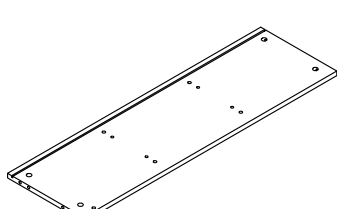
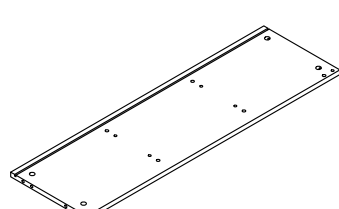
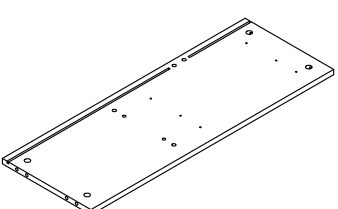
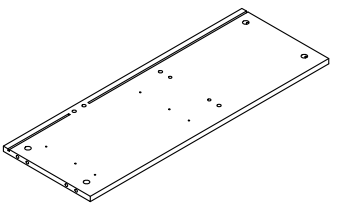
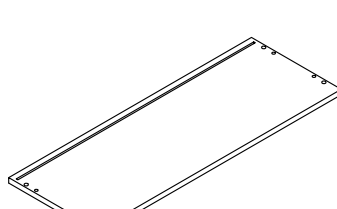
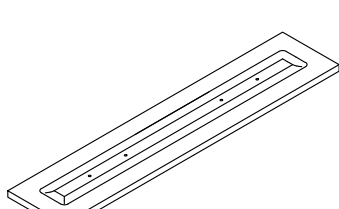
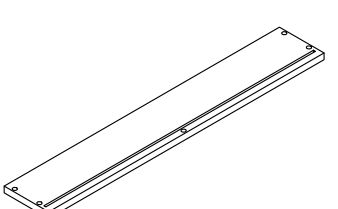
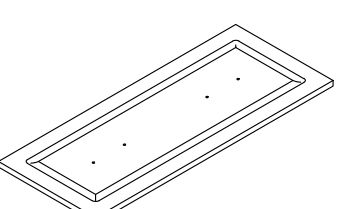




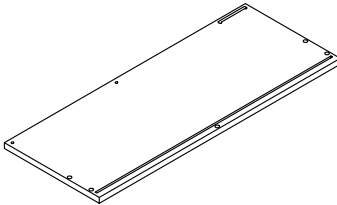
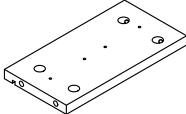
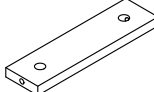
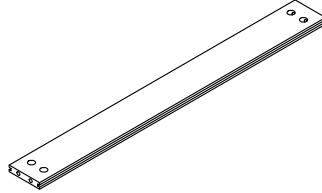
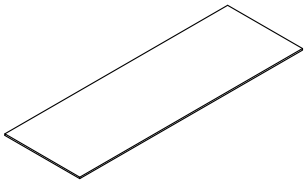
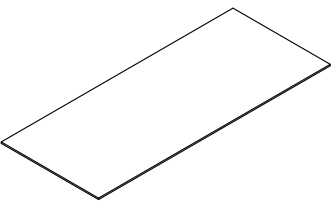
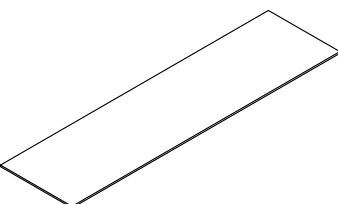
**⚠ Caution**

Make sure all parts are included. Most board parts are labeled or stamped on the raw edge. Contact us for a free replacement if you encounter any damaged or missing parts.

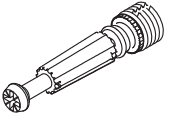
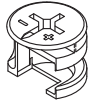
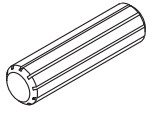
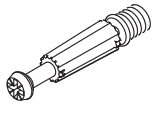
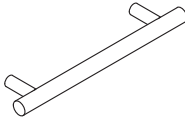

# Parts List

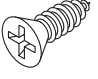


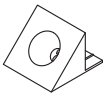
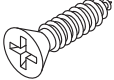

 <p><b>1</b></p>	 <p><b>2</b></p>	 <p><b>3</b></p>	 <p><b>4</b></p>
1pc	1pc	1pc	1pc
 <p><b>5</b></p>	 <p><b>6</b></p>	 <p><b>7</b></p>	 <p><b>8</b></p>
1pc	1pc	1pc	1pc
 <p><b>9</b></p>	 <p><b>10</b></p>	 <p><b>11</b></p>	 <p><b>12</b></p>
1pc	1pc	1pc	1pc
 <p><b>13</b></p>	 <p><b>14</b></p>	 <p><b>15</b></p>	 <p><b>16</b></p>
3 pcs	1pc	1pc	1pc

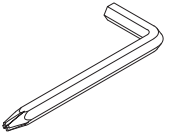
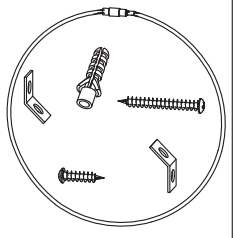
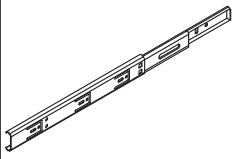
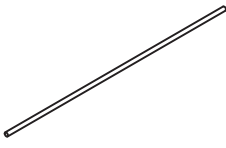
# Parts List

<p>17</p>  <p>1 pc</p>	<p>18</p>  <p>4 pcs</p>	<p>19</p>  <p>2 pcs</p>	<p>20</p>  <p>1 pc</p>
<p>21</p>  <p>2 pcs</p>	<p>22</p>  <p>4 pcs</p>	<p>23</p>  <p>2 pcs</p>	

# Hardware List

A	B	C	D	E	F
					
Ø6x40mm	Ø15x12mm	Ø8x30mm		150x32x12mm	M4x23
63 pcs	71 pcs	34 pcs	8 pcs	4 pcs	8 pcs

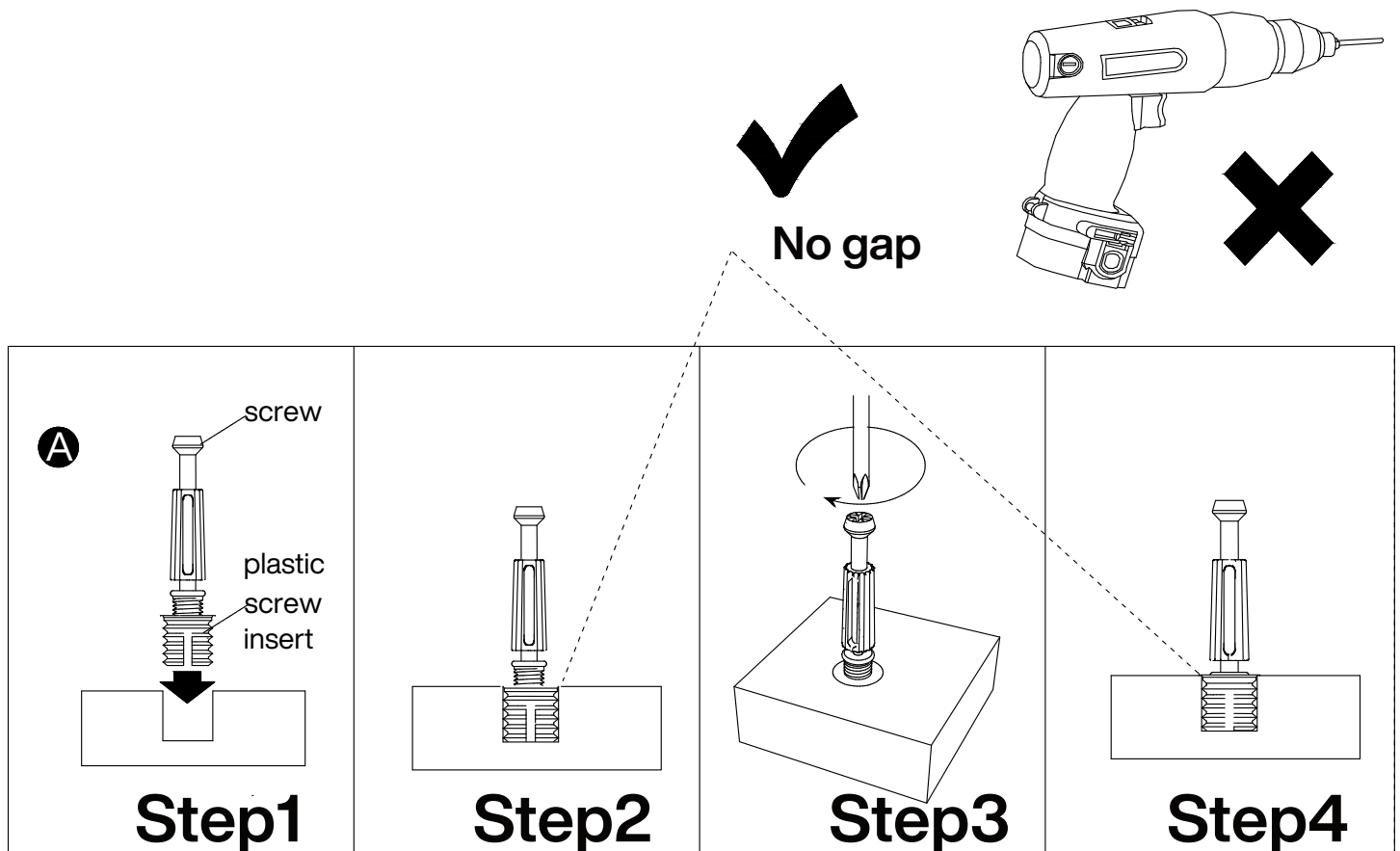
G	H	I	J	K	L
					
Ø3.5x14mm	Ø21	Ø21		Ø3x18mm	
24 pcs	12 pcs	8 pcs	34 pcs	34 pcs	4 pcs

M	N	O	P		
					
M4		240mm	Ø5x243mm		
1 pc	2 pcs	2 sets	3 pcs		

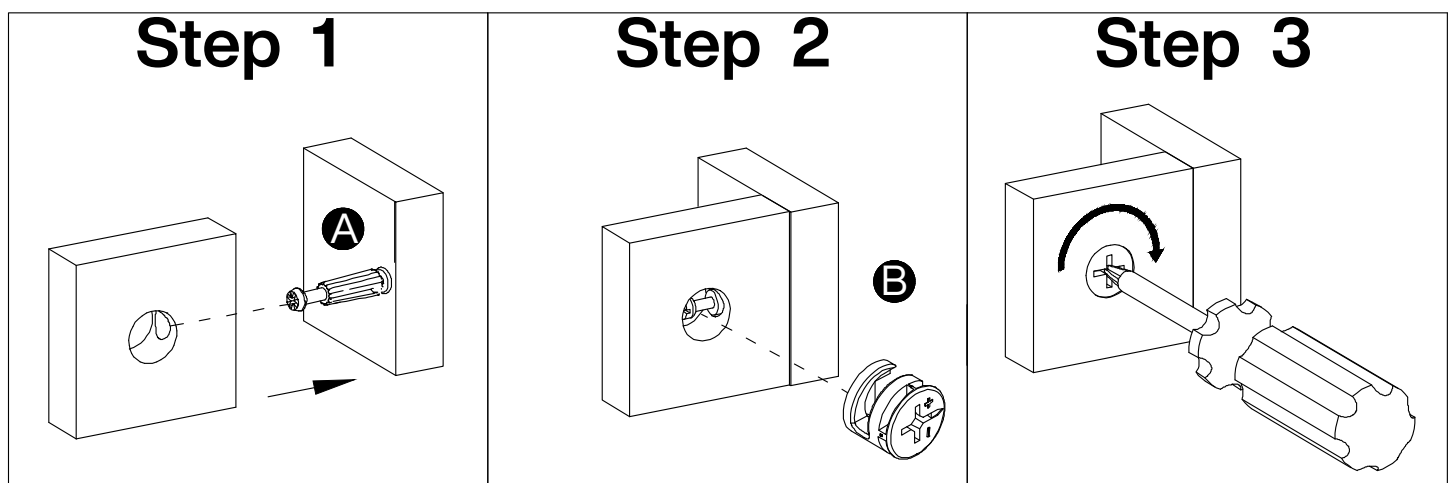
## Installation of Cams and Pins

Step 1-2: Align the plastic part with the mounting hole and press it in. If you can't press it in, loosen the screw counter clockwise or completely remove the screw from the plastic part and try again.

Step 3-4: After pressing the plastic part into place, use a screwdriver to tighten the screw clockwise.



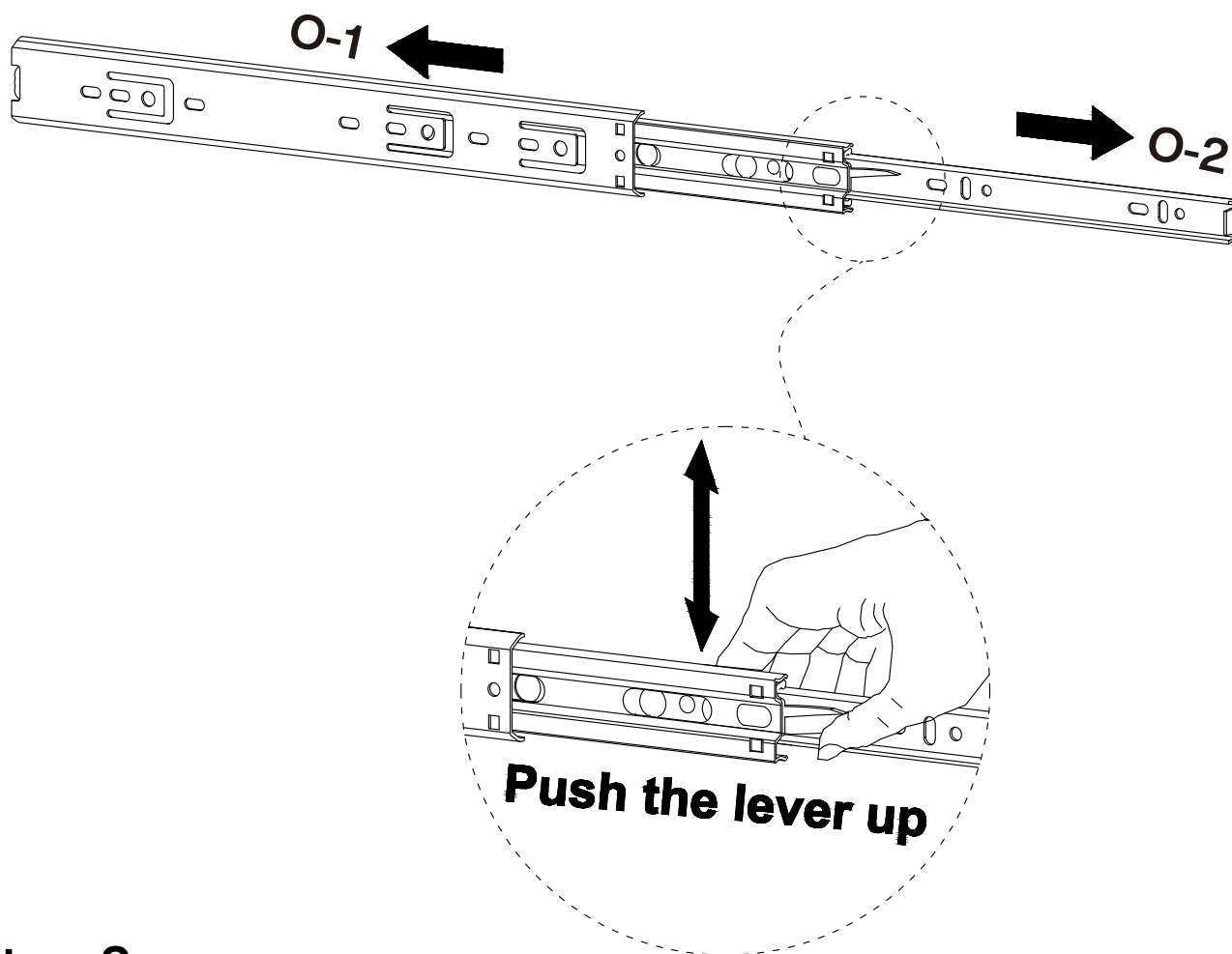
Screw the pin into the hole. Set the cams correctly by aligning the head of the cams with the lock pins. Lock the cam by turning the cam head with a screwdriver until it is tightened. Please do not use an electric screwdriver to assemble the unit.



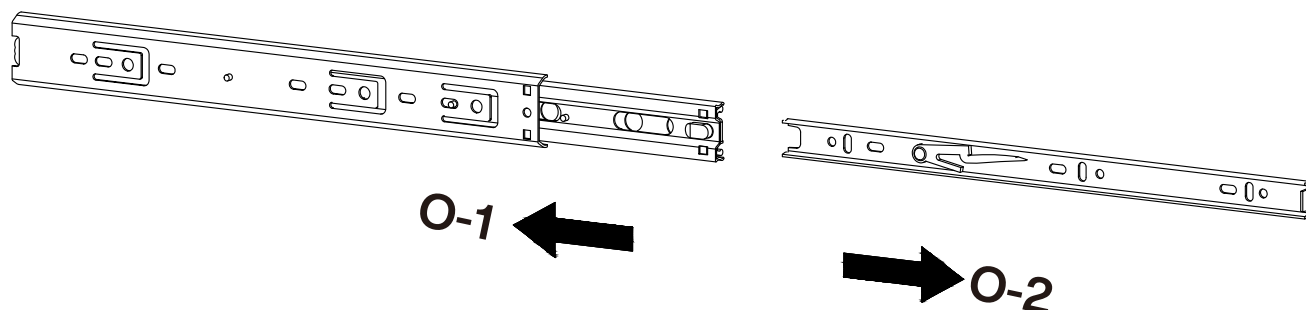
Please split component "O" into "O-1" and "O-2" before assembling the slide and then proceed to the next step of assembly

### Step 1

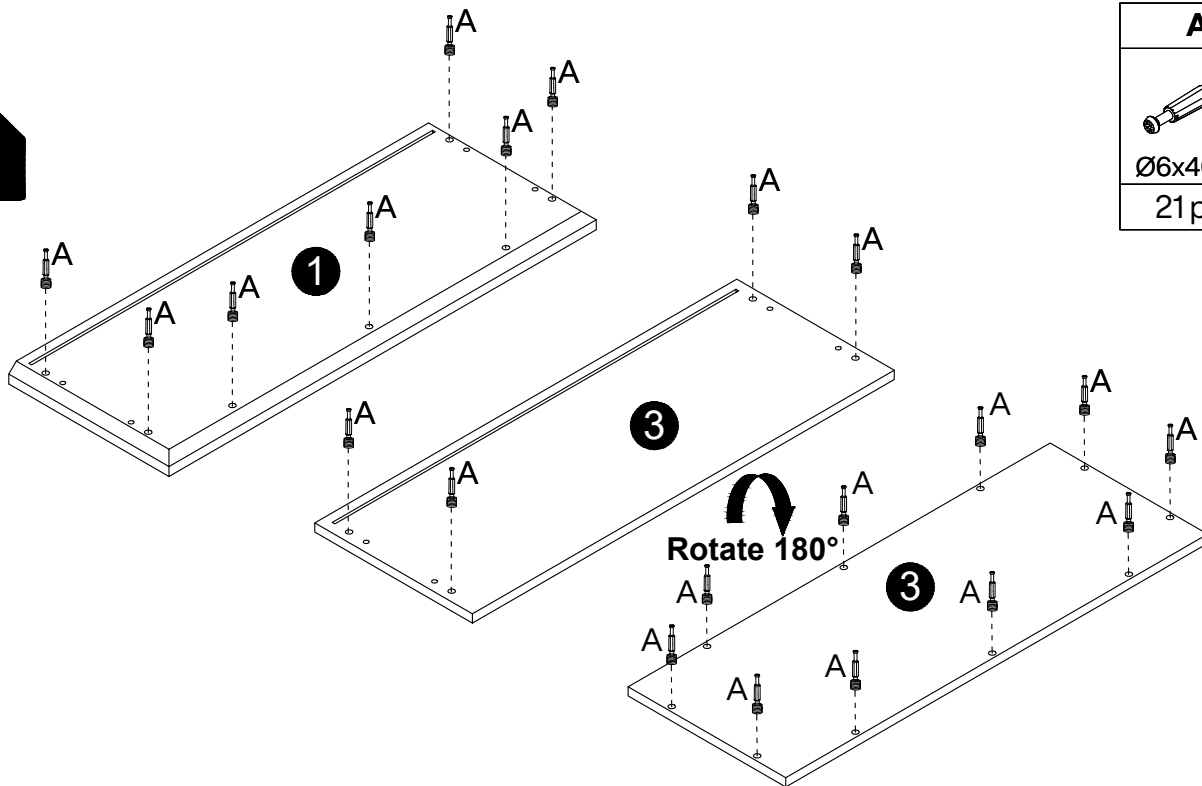
Pull apart component "O" to each side, and then gently push up the lever of component "O-2"

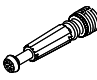


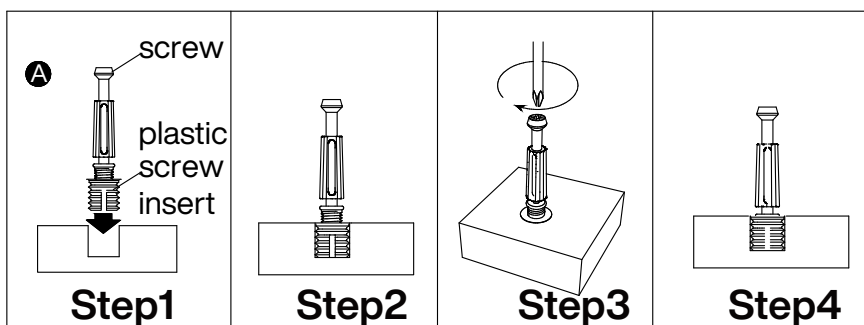
### Step 2 Split component "O-1" and "O-2"



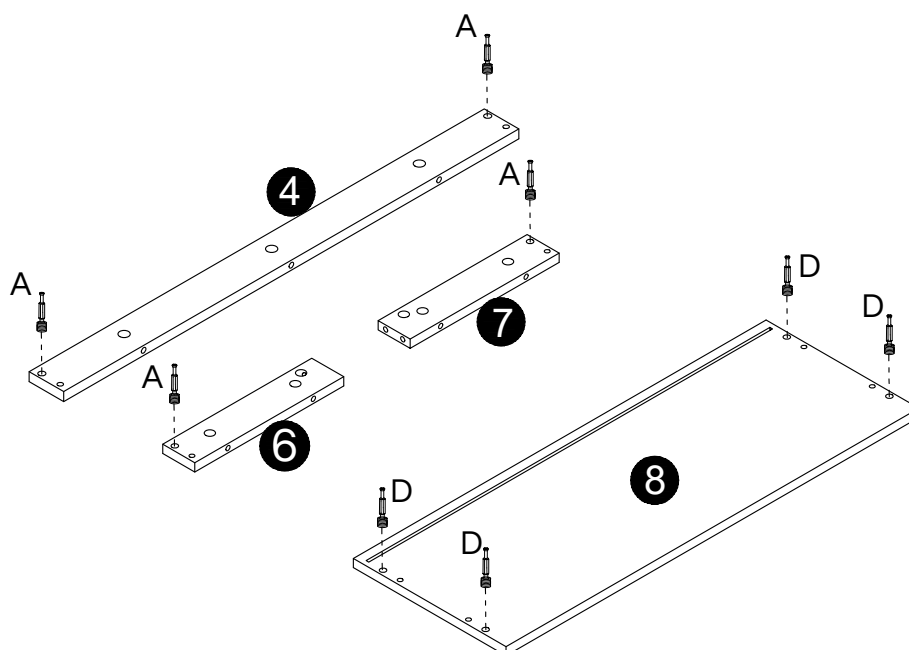
**1**

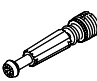
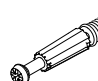


A

Ø6x40mm
21 pcs

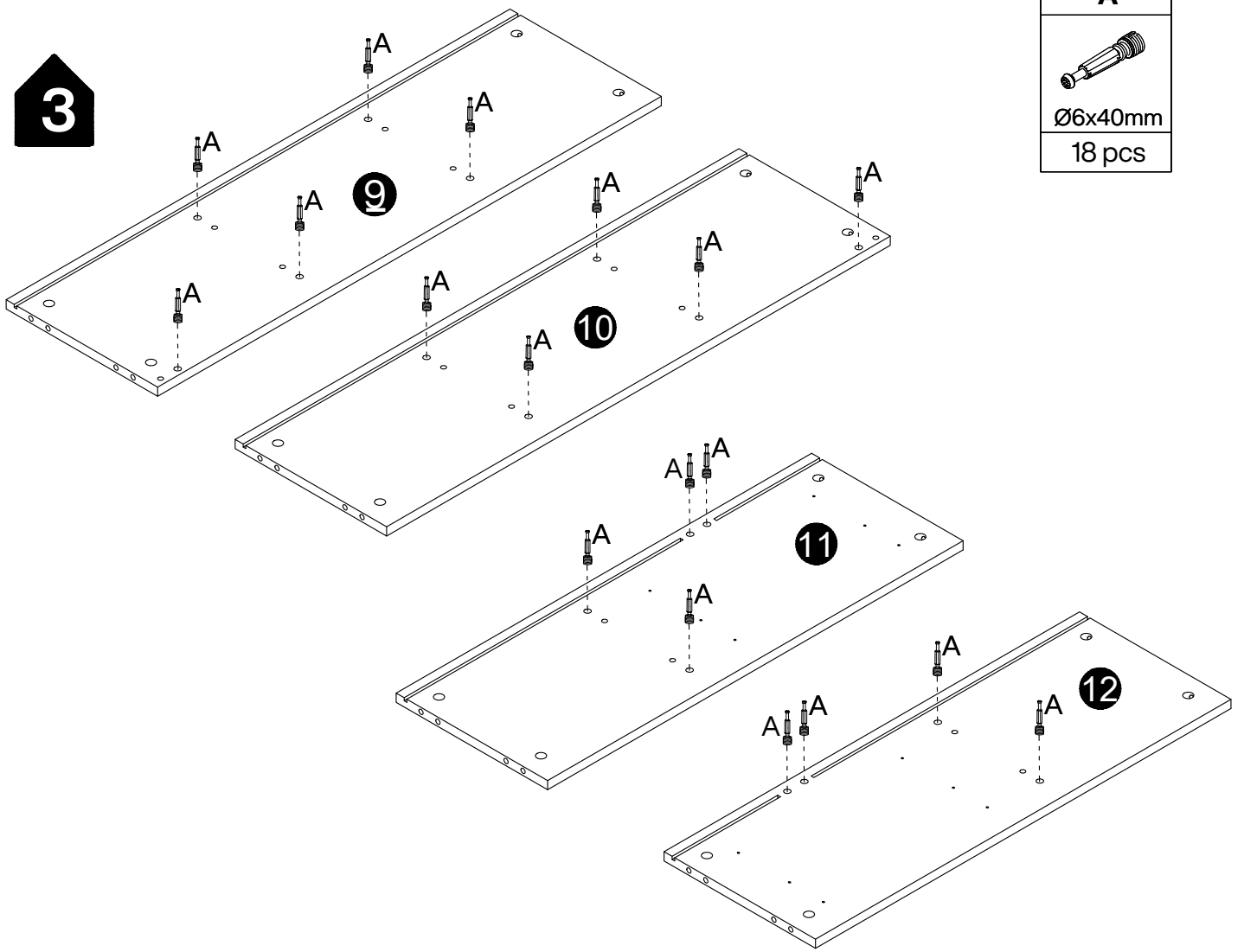


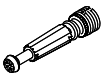
**2**



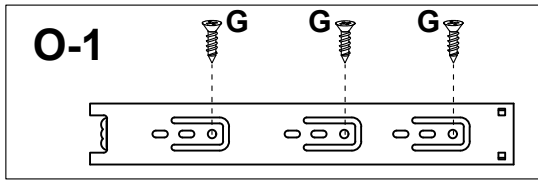
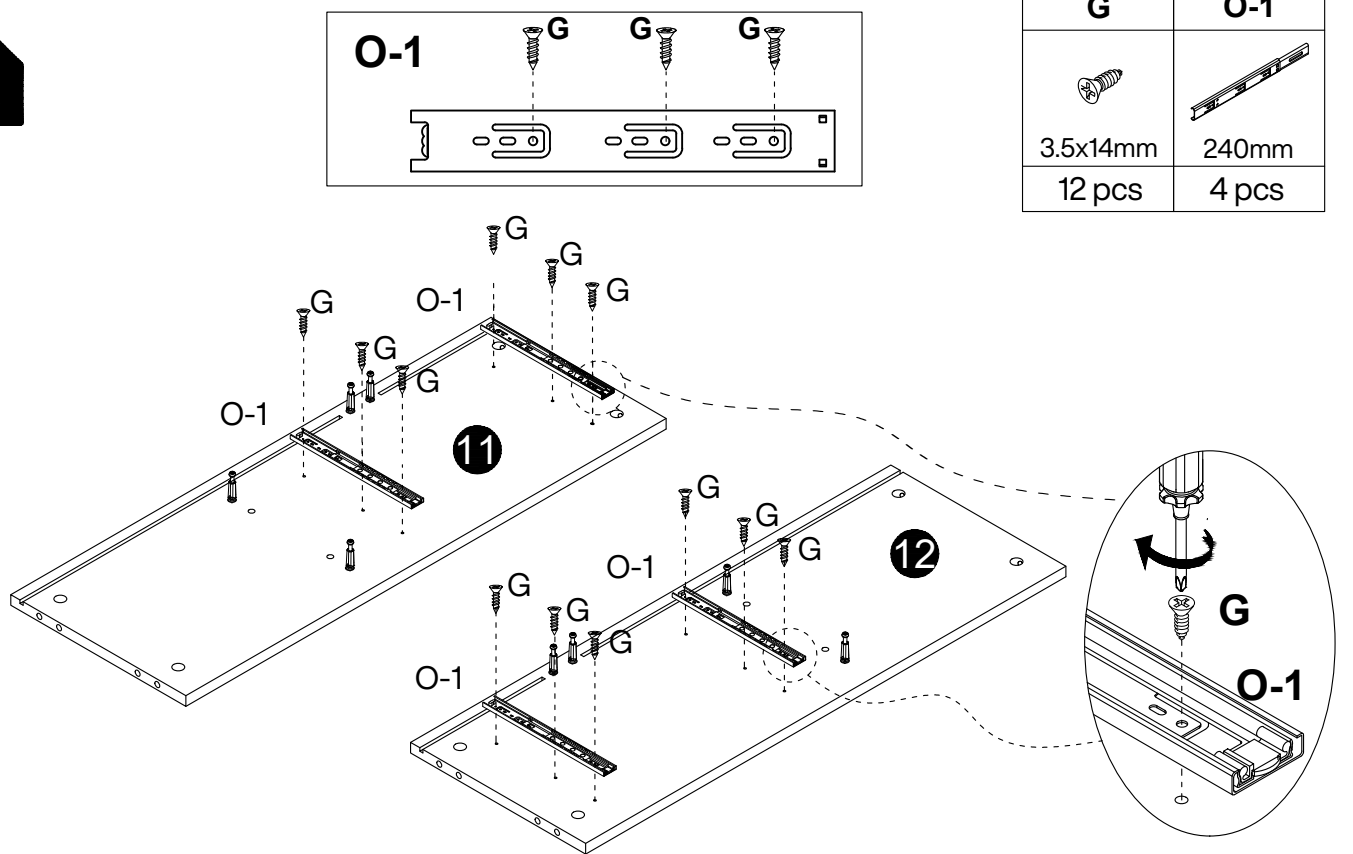
A	D
	
Ø6x40mm	Ø6x40mm
4 pcs	4 pcs



**3**



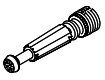
<b>A</b>

Ø6x40mm
18 pcs

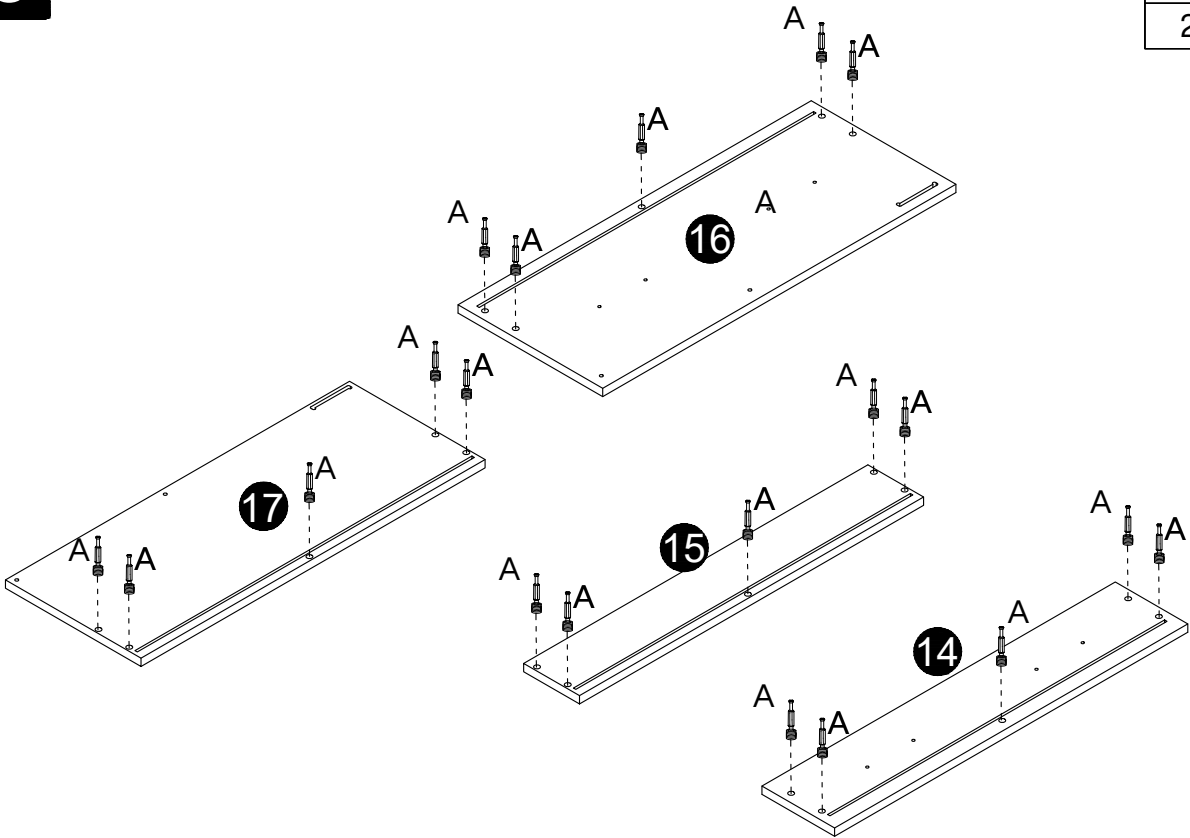
**4**



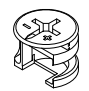
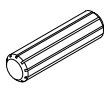

<b>G</b>	<b>O-1</b>
	
3.5x14mm	240mm
12 pcs	4 pcs

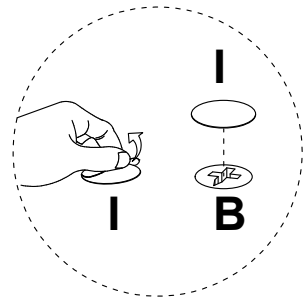
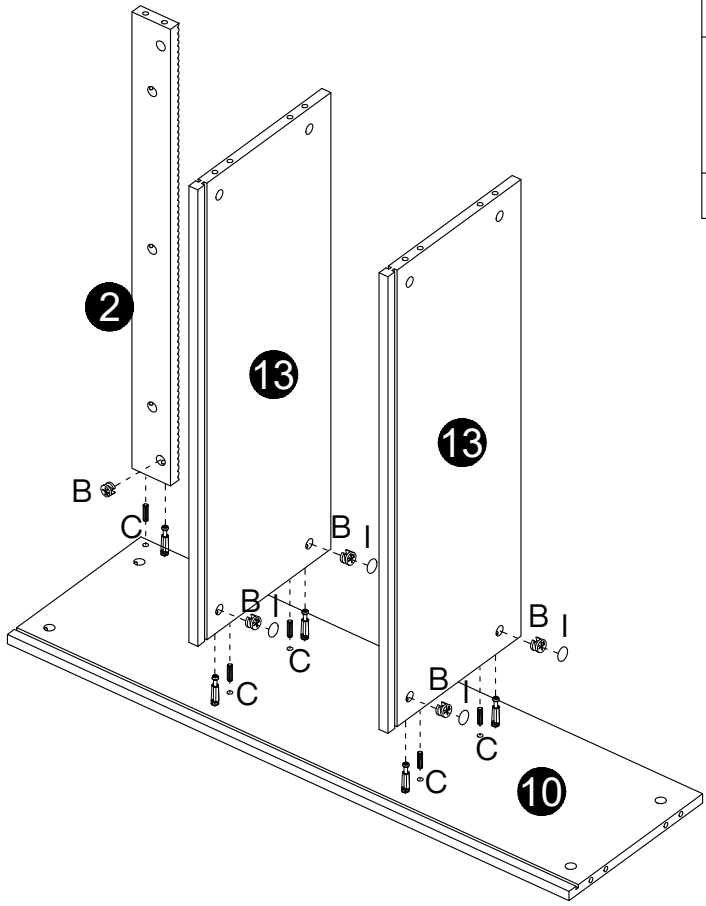
**5**

<b>A</b>

Ø6x40mm
20 pcs

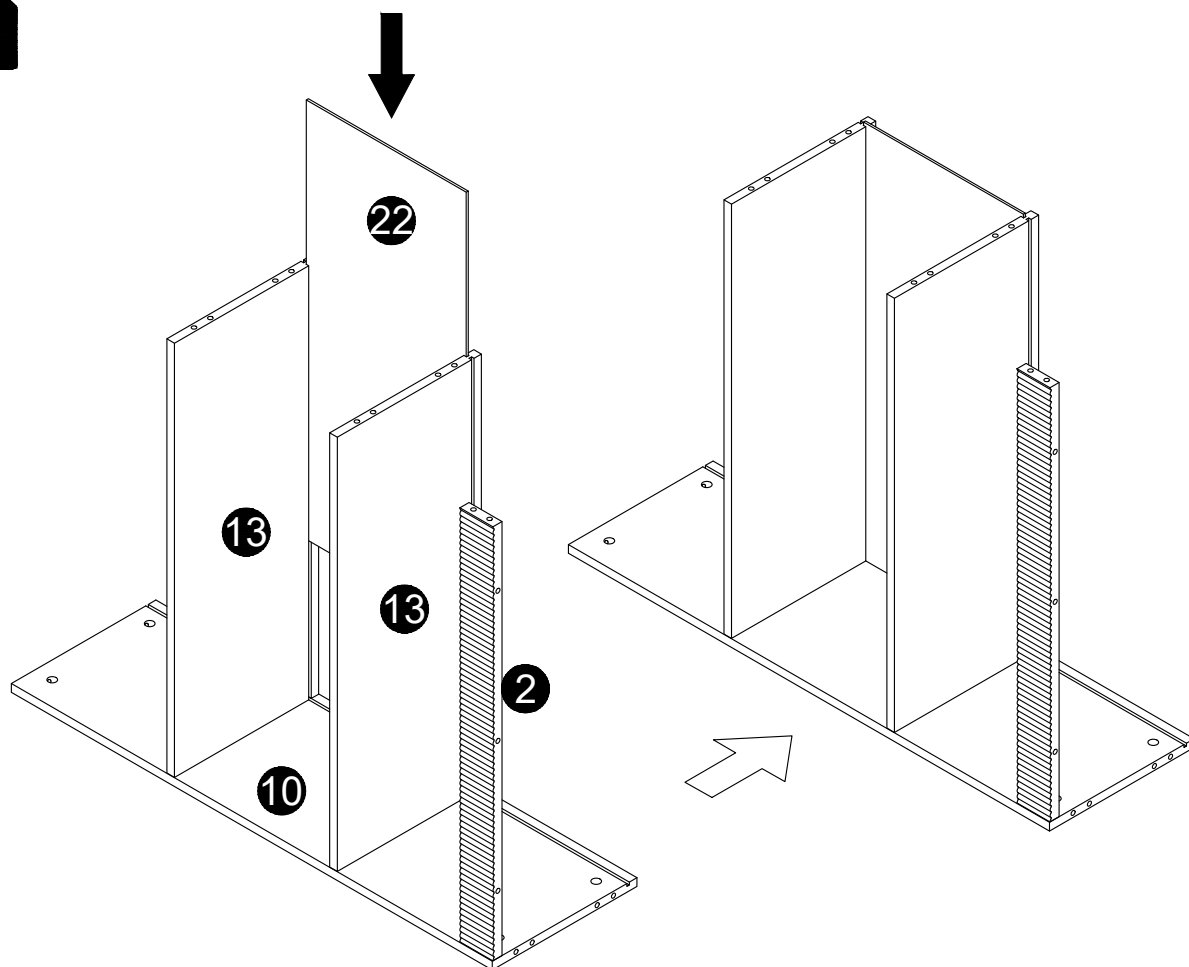


**6**

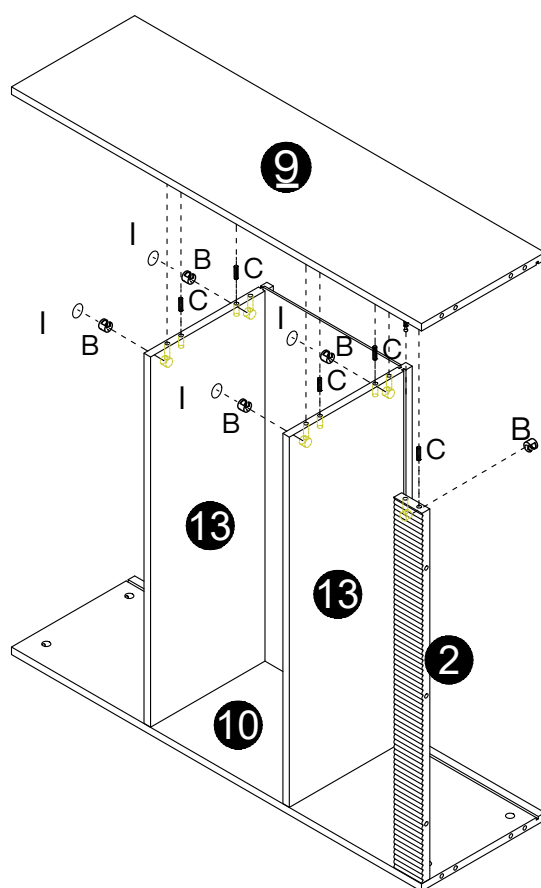
<b>B</b>	<b>C</b>	<b>I</b>
		
Ø15x12mm	Ø8x30mm	Ø21mm
5 pcs	5 pcs	4 pcs

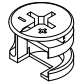
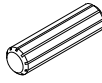



7

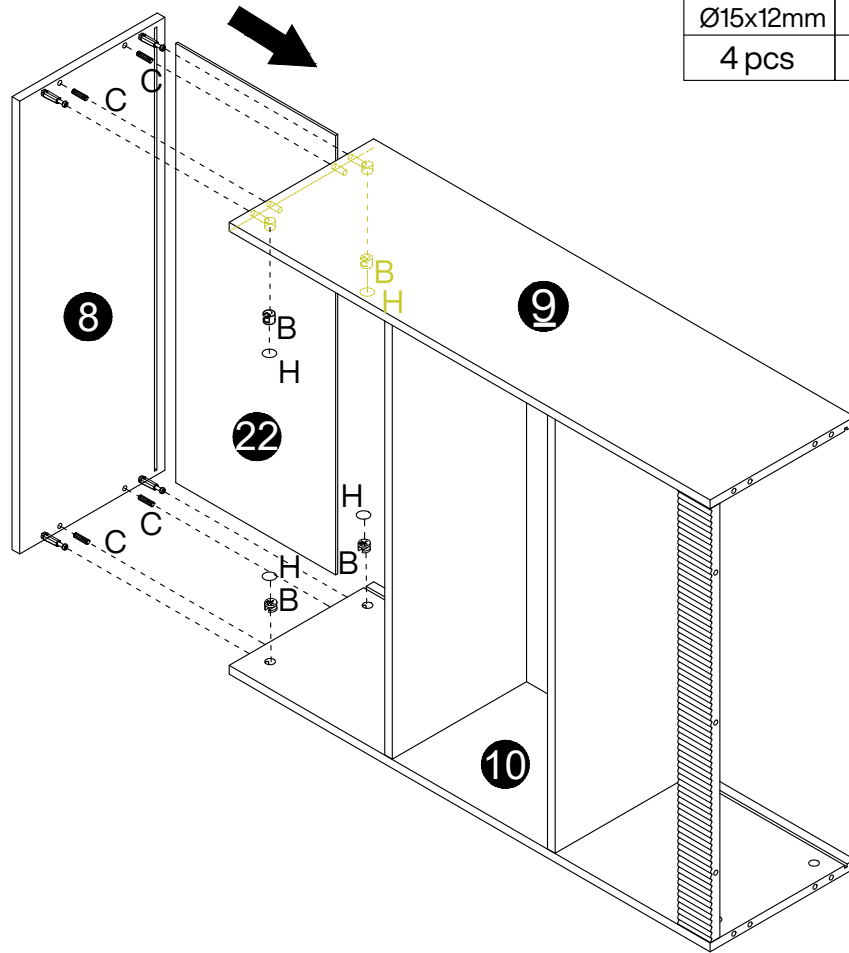


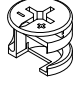
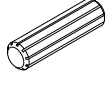

8



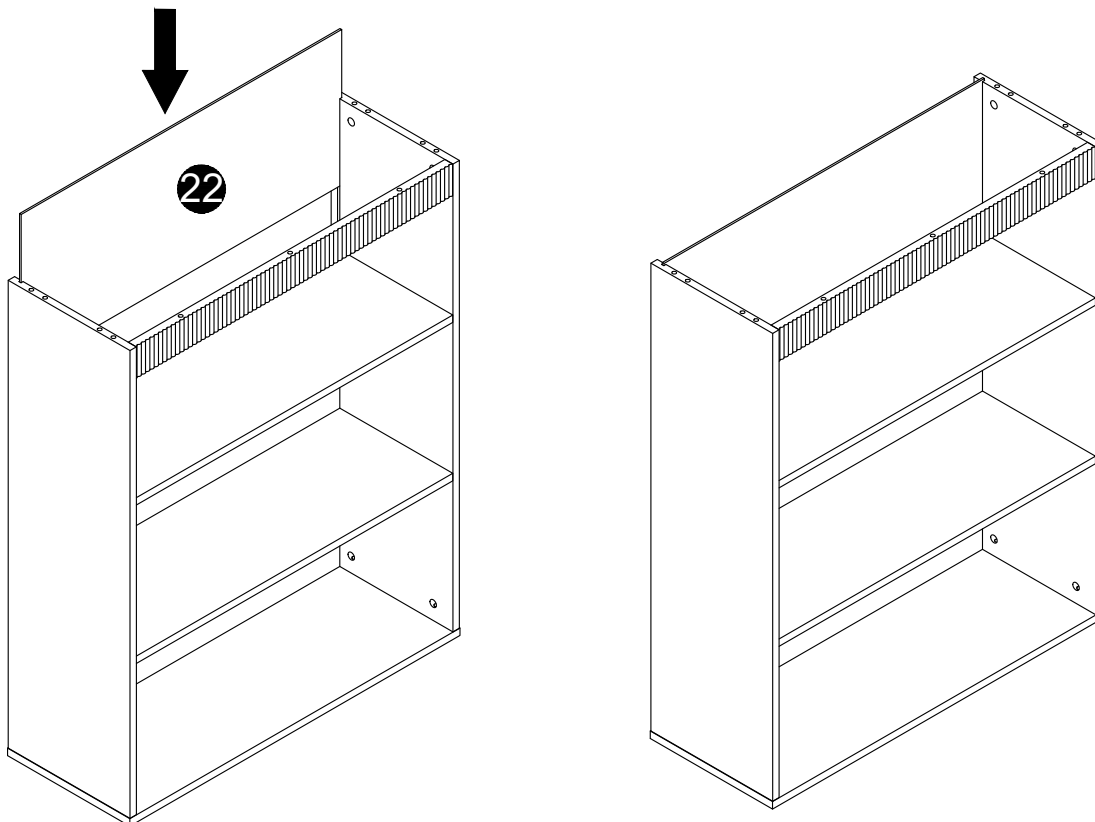
B	C	I
		
Ø15x12mm	Ø8x30mm	Ø21mm
5 pcs	5 pcs	4 pcs

9

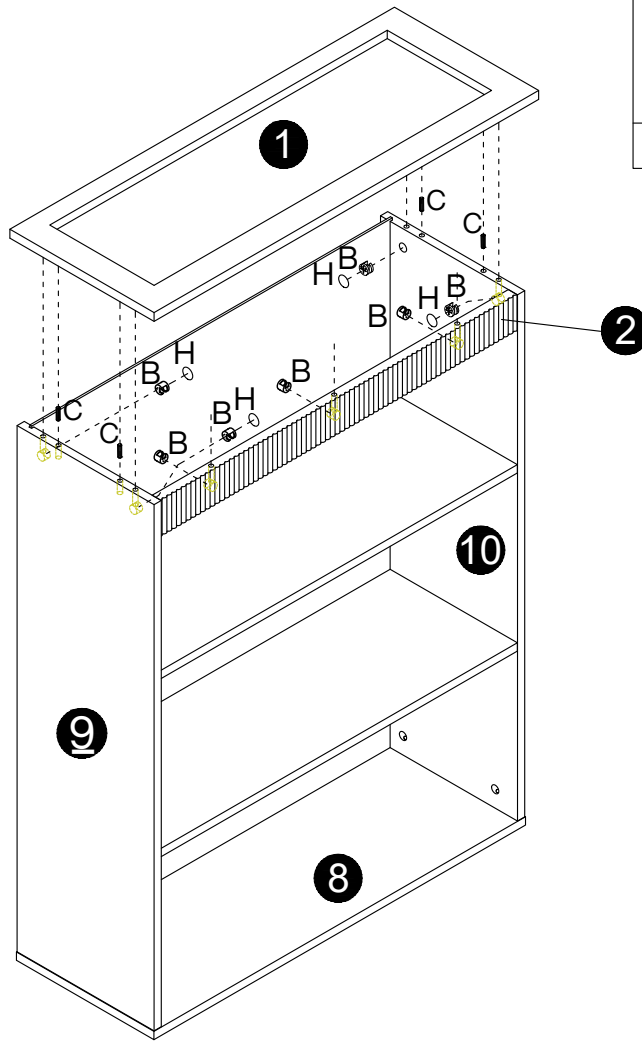


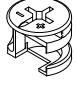
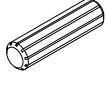

B	C	H
 Ø15x12mm	 Ø8x30mm	 Ø21mm
4 pcs	4 pcs	4 pcs

10

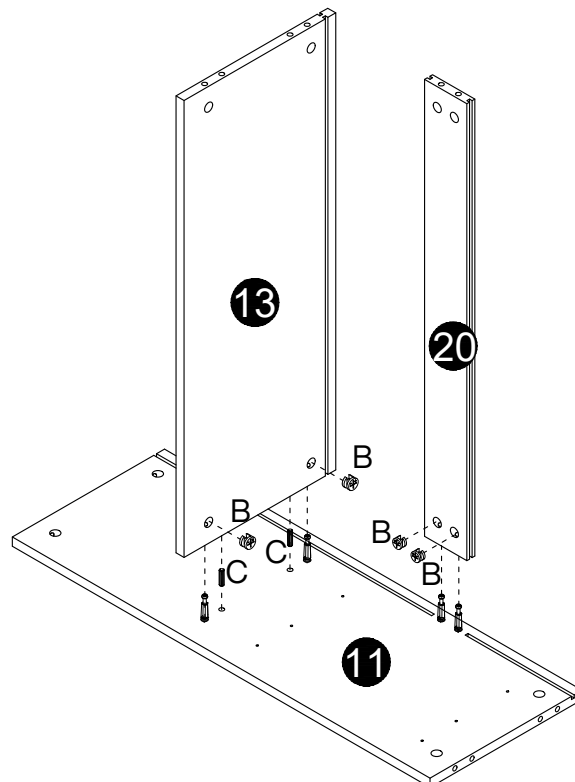


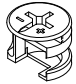
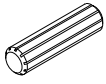
11



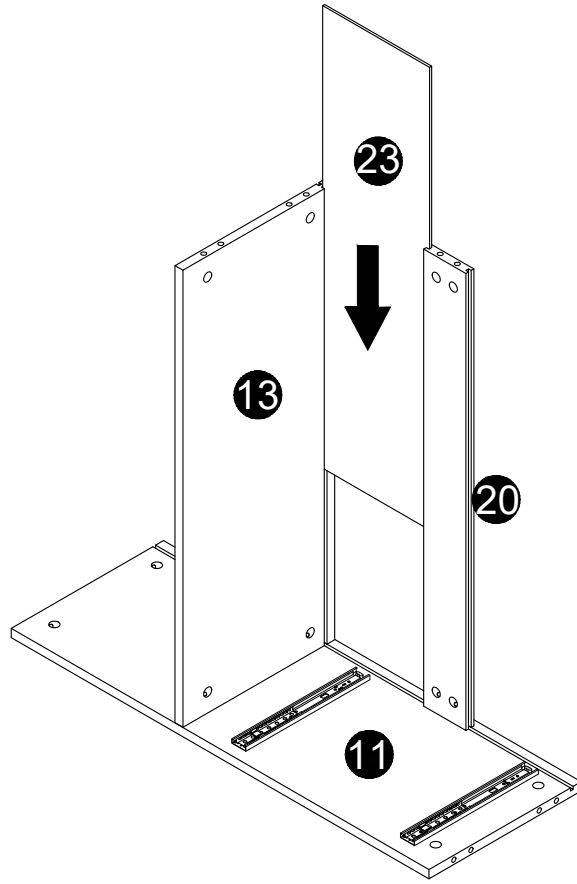
B	C	H
		
Ø15x12mm	Ø8x30mm	Ø21mm
7 pcs	4 pcs	4 pcs

12

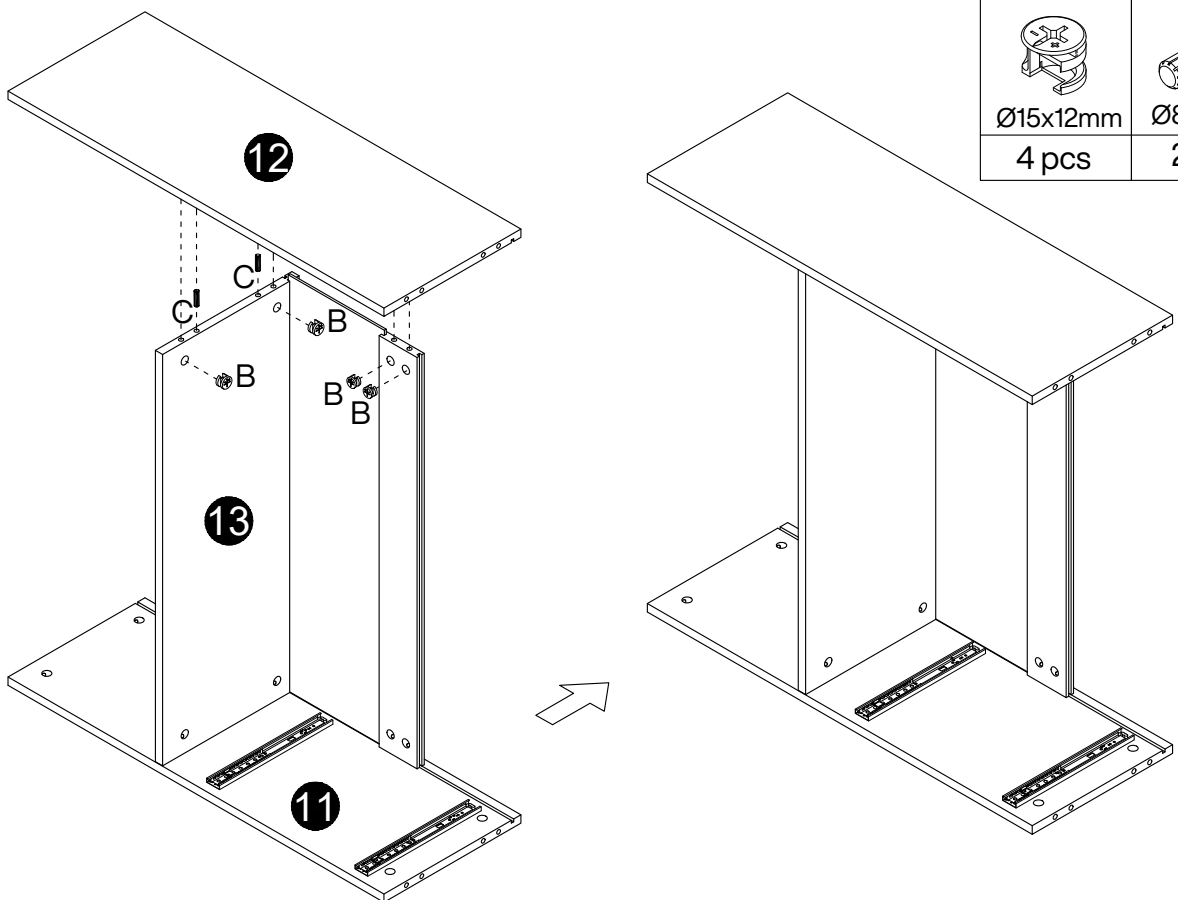


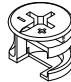
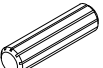
B	C
	
Ø15x12mm	Ø8x30mm
4 pcs	2 pcs

13

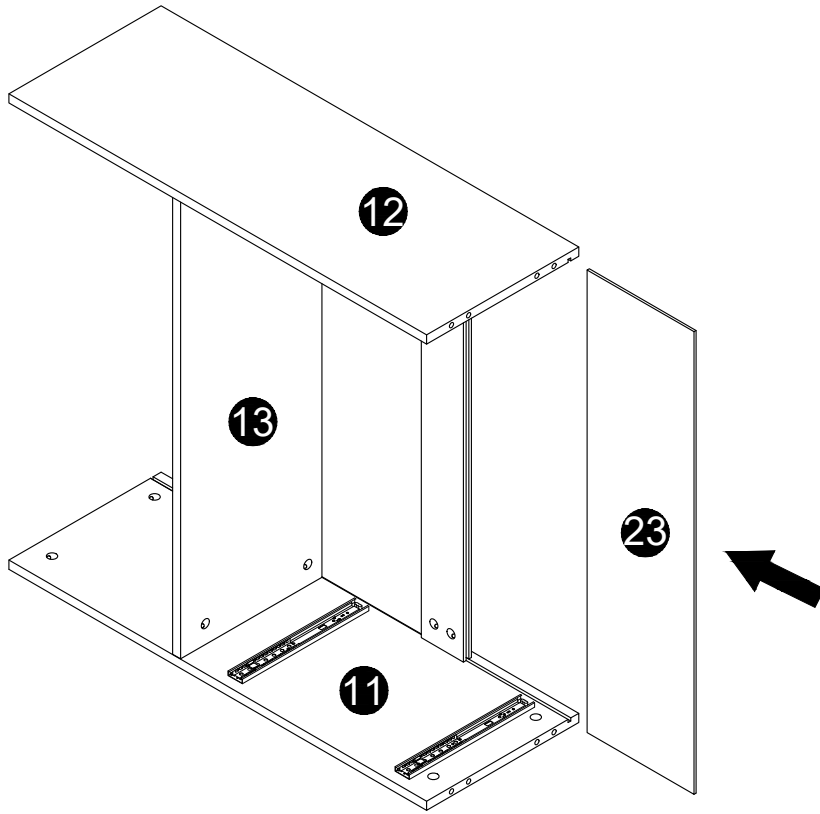


14

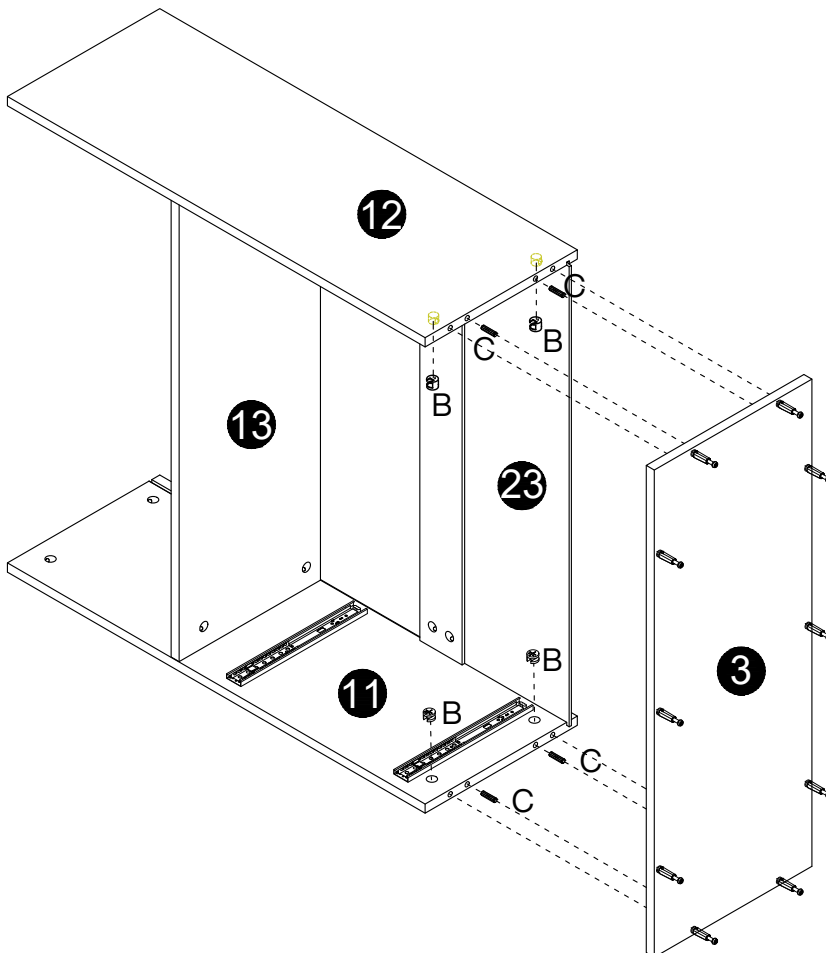


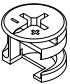
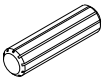
B	C
	
Ø15x12mm	Ø8x30mm
4 pcs	2 pcs

15

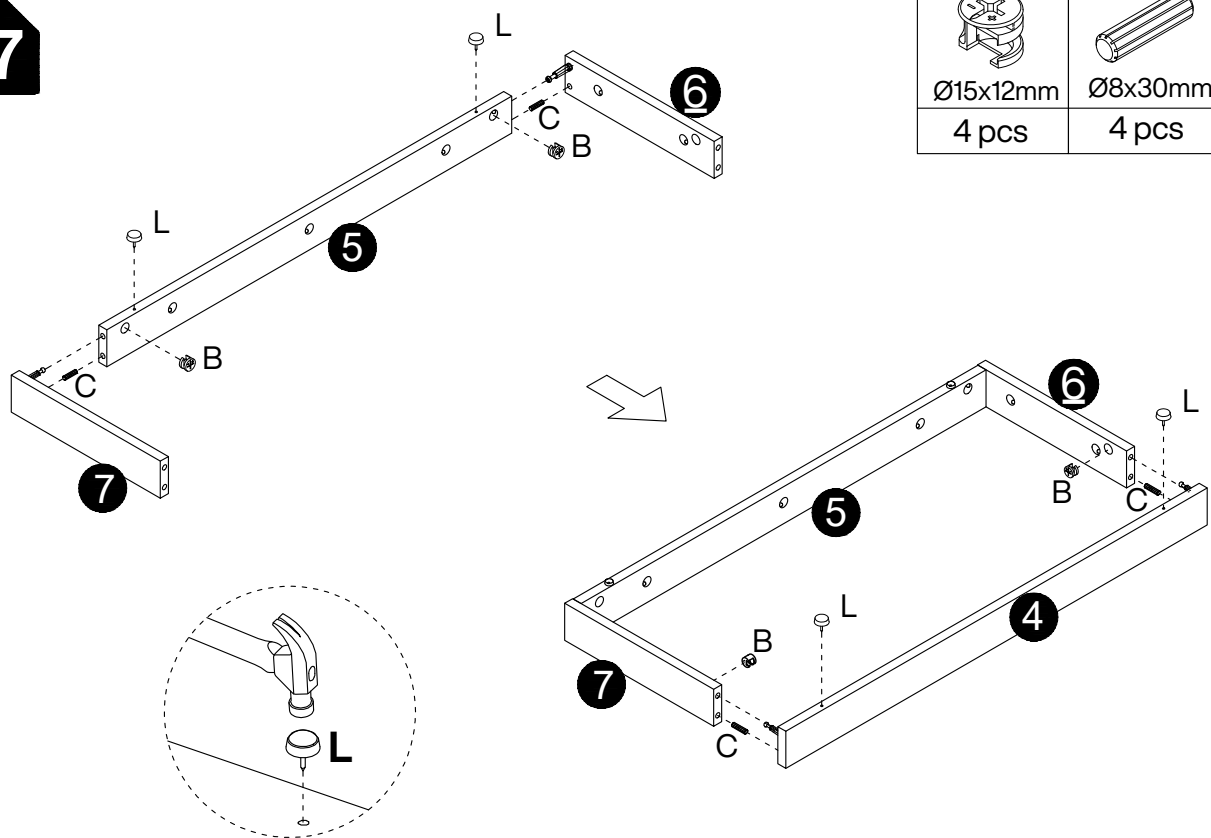


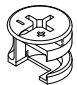
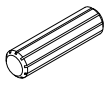

16



B	C
	
Ø15x12mm	Ø8x30mm
4 pcs	4 pcs

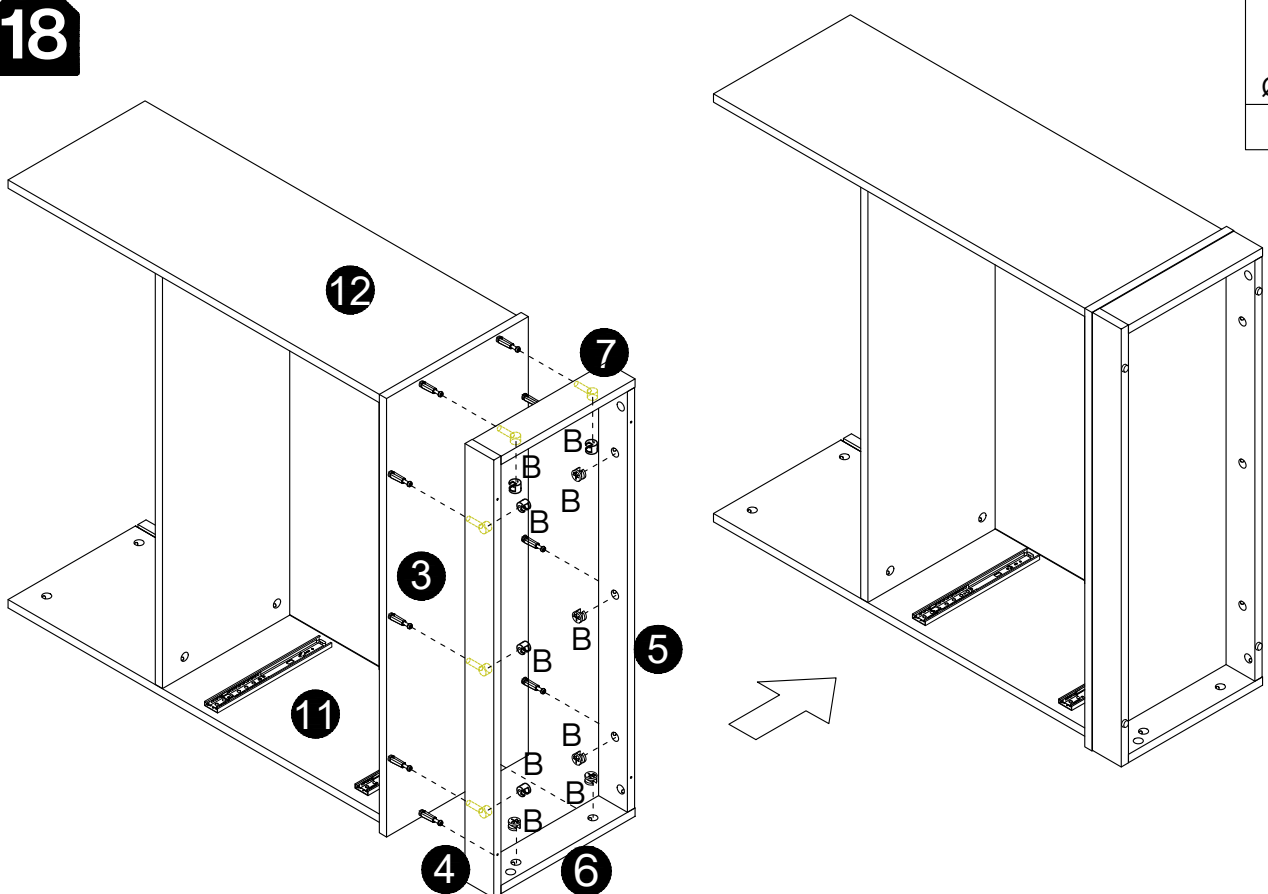
17

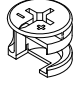


B	C	L
		
Ø15x12mm	Ø8x30mm	
4 pcs	4 pcs	4 pcs

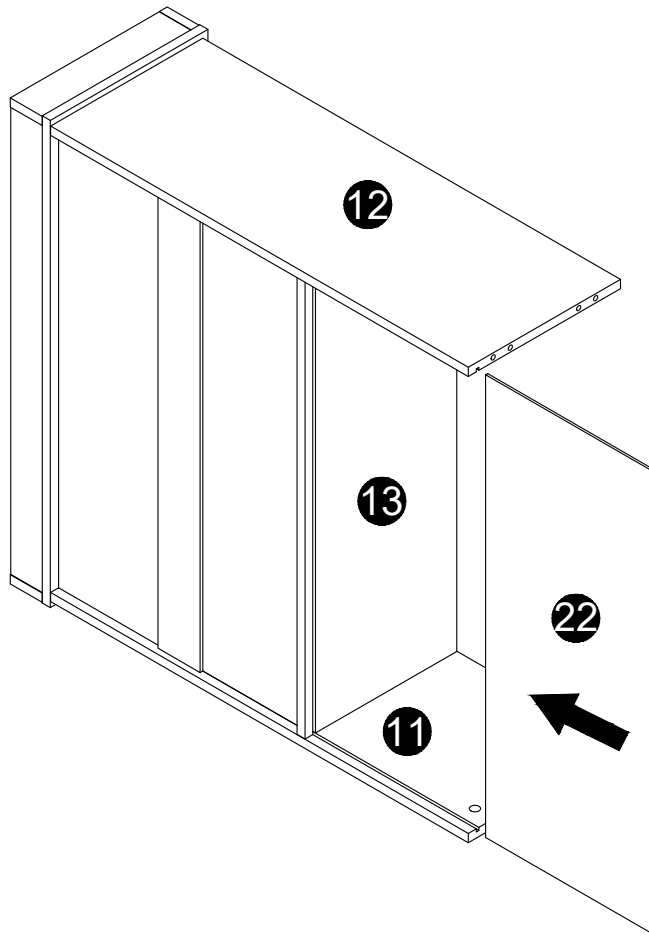
▲ Caution! Tap lightly

18

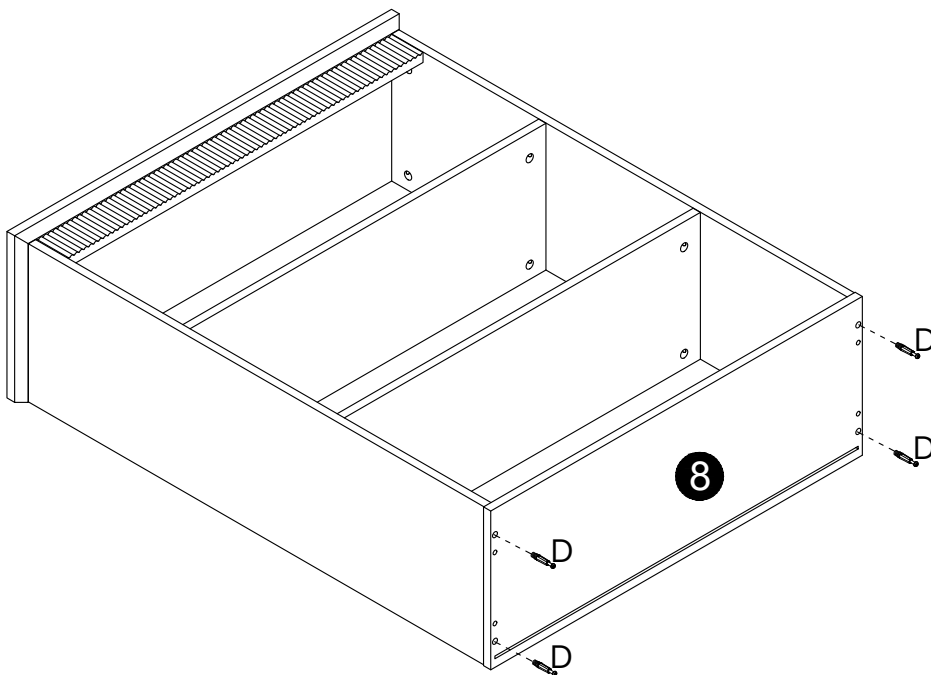


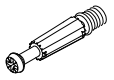
B

Ø15x12mm
10 pcs

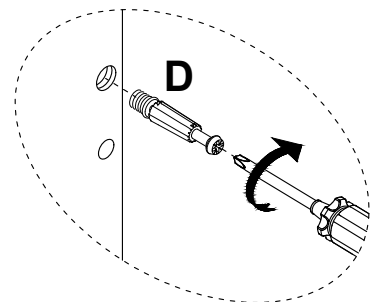
19



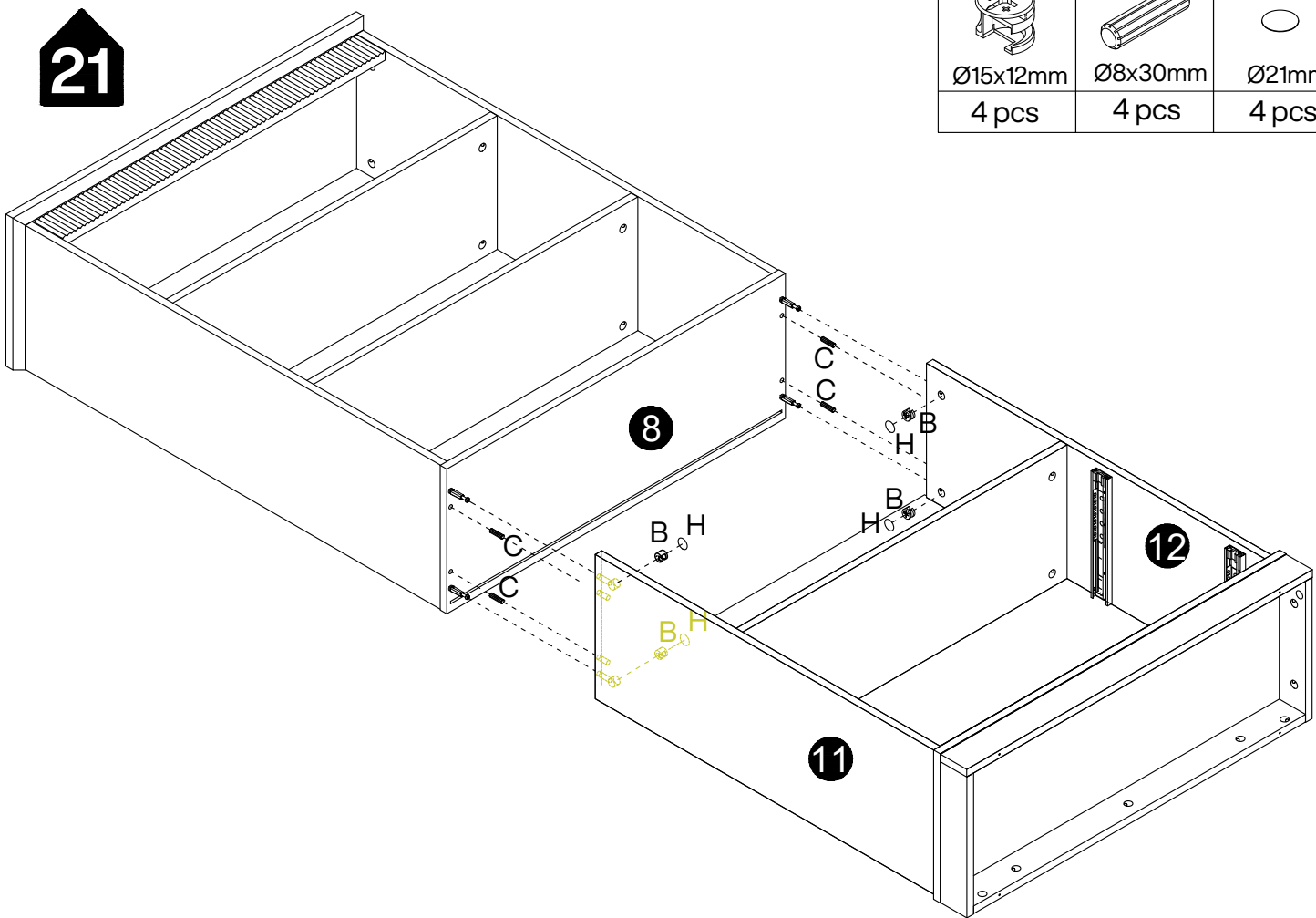
20


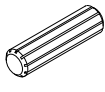



<b>D</b>

Ø6x40mm
4 pcs

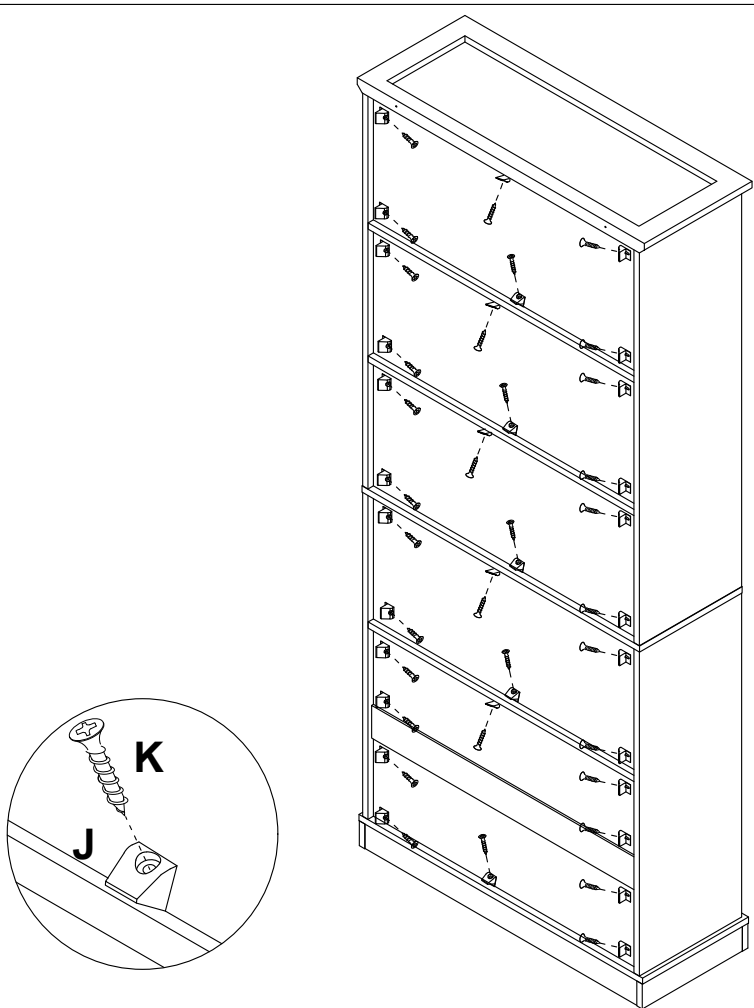


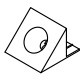

21



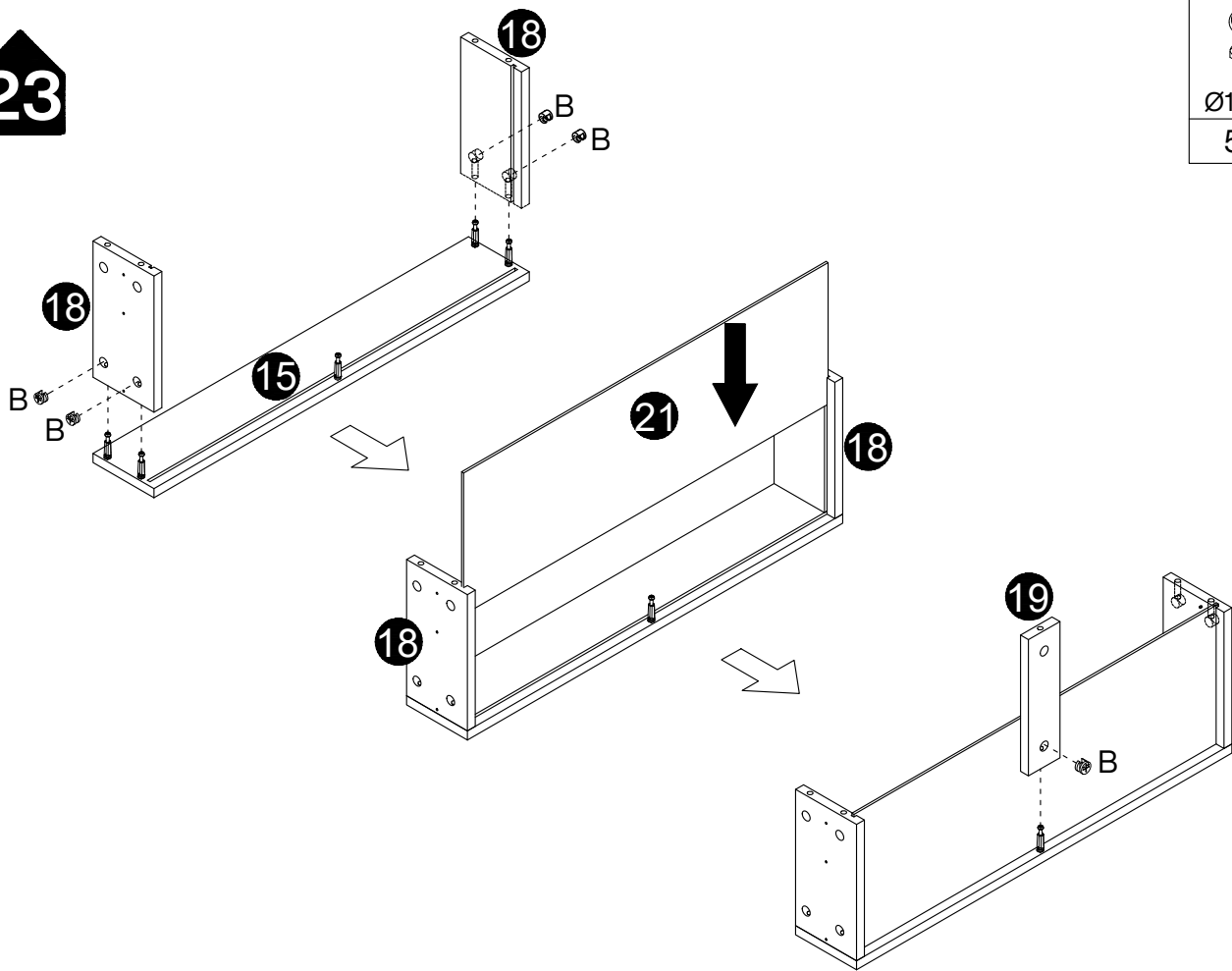
B	C	H
		
Ø15x12mm	Ø8x30mm	Ø21mm
4 pcs	4 pcs	4 pcs

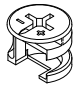
22



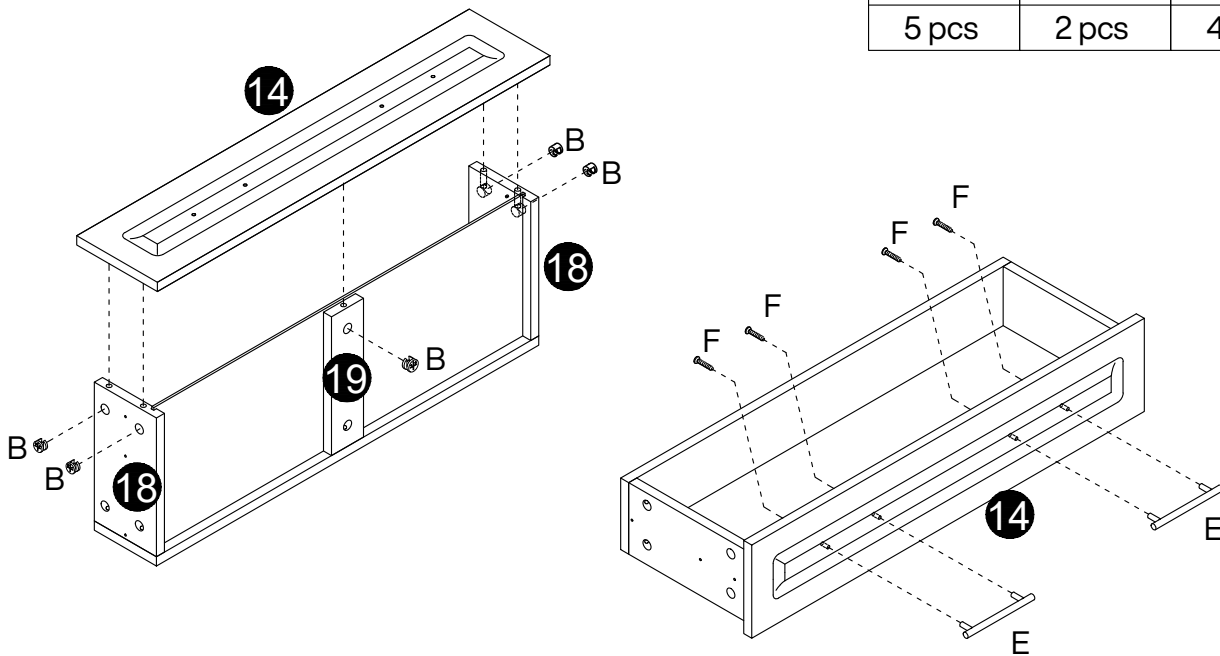
J	K
	
34 pcs	Ø3x18mm
34 pcs	34 pcs

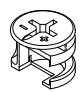
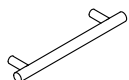

**23**



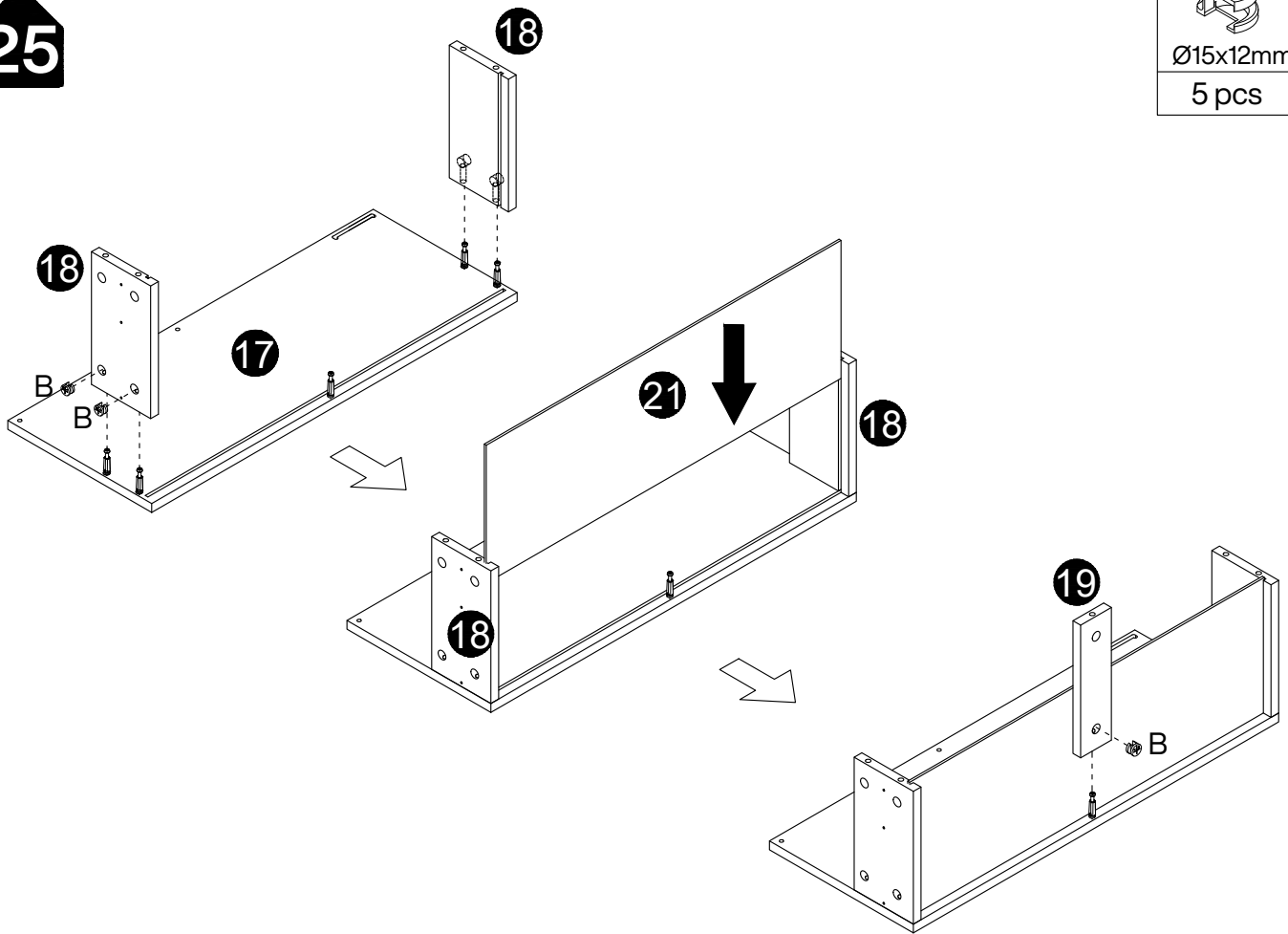
<b>B</b>

Ø15x12mm
5 pcs

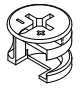
**24**



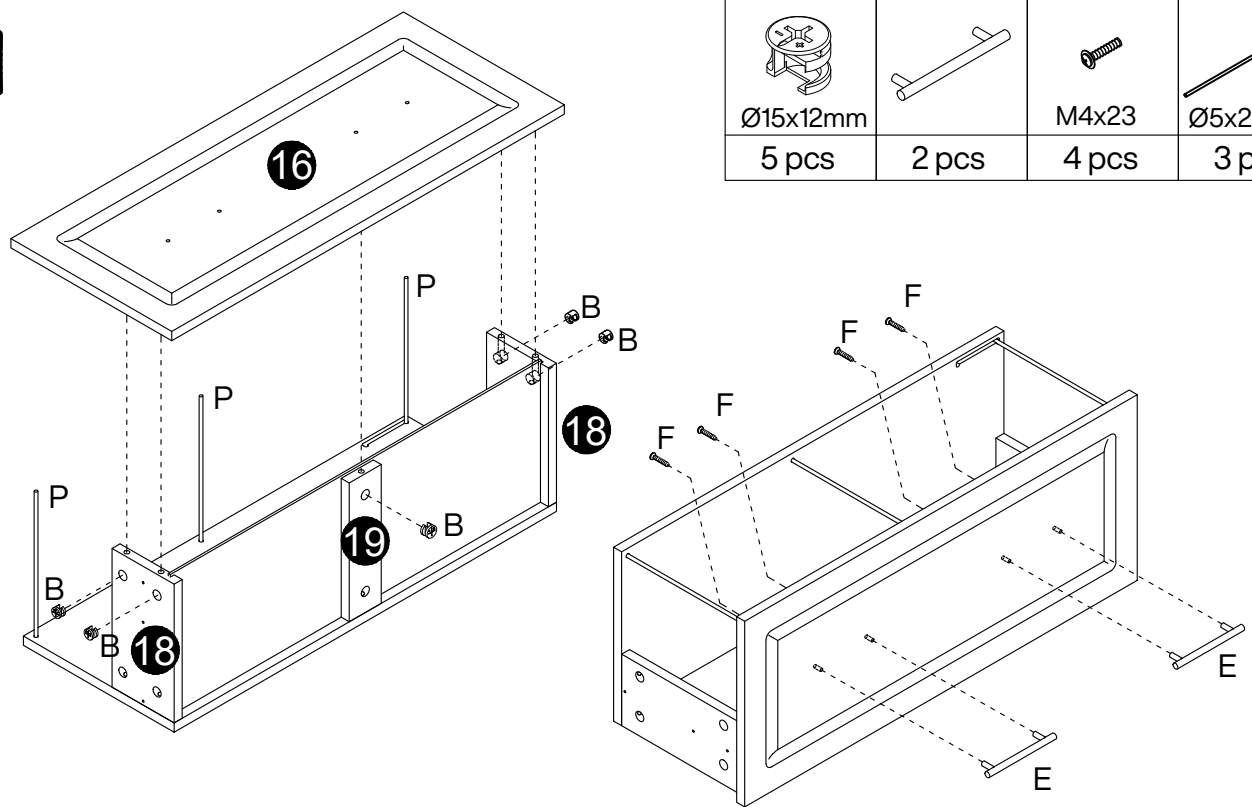
<b>B</b>	<b>E</b>	<b>F</b>
		
Ø15x12mm		M4x23
5 pcs	2 pcs	4 pcs

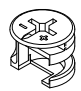



**25**



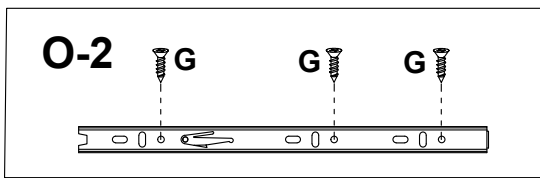
<b>B</b>

Ø15x12mm
5 pcs

**26**

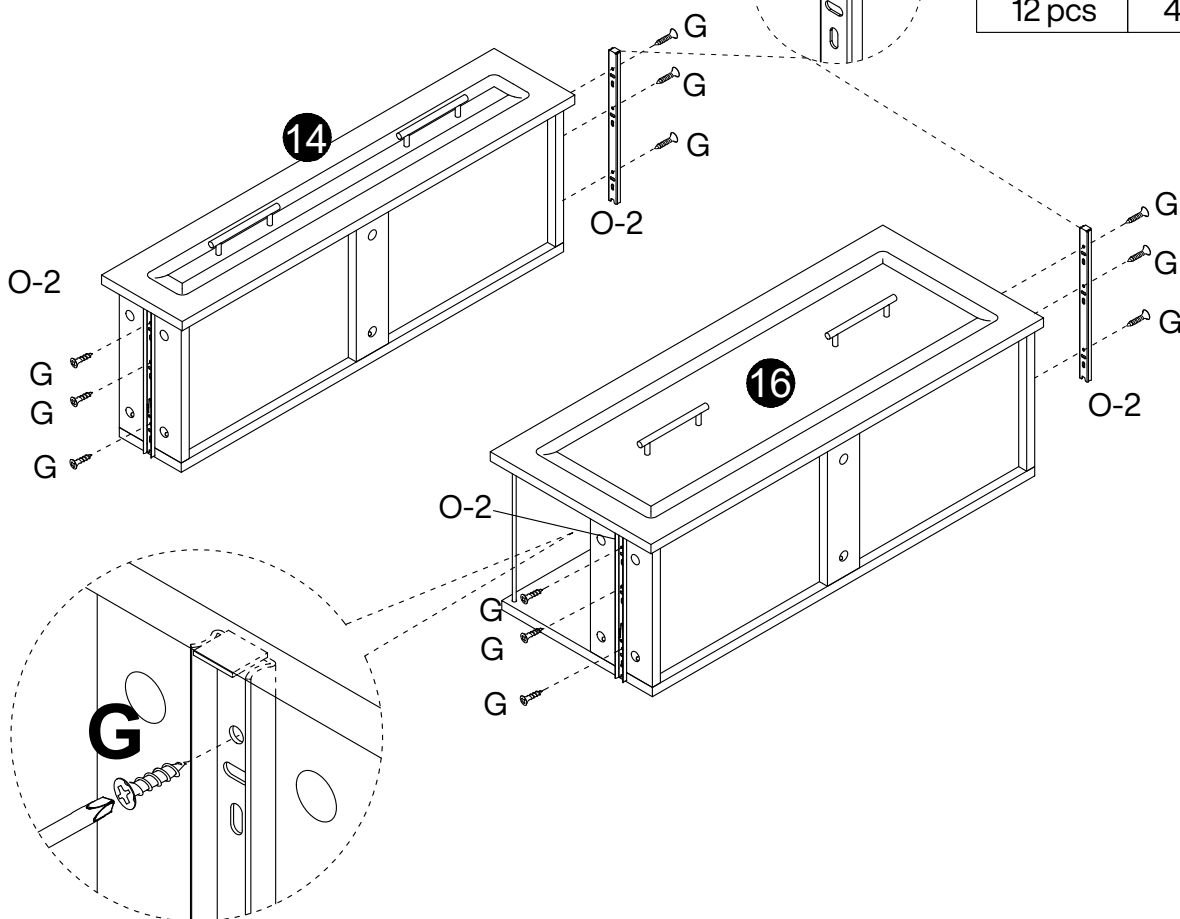


<b>B</b>	<b>E</b>	<b>F</b>	<b>P</b>
			
Ø15x12mm		M4x23	Ø5x243mm
5 pcs	2 pcs	4 pcs	3 pcs

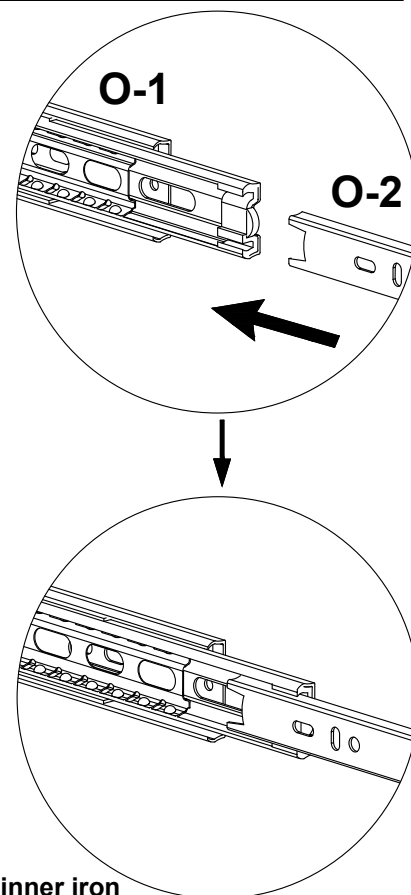
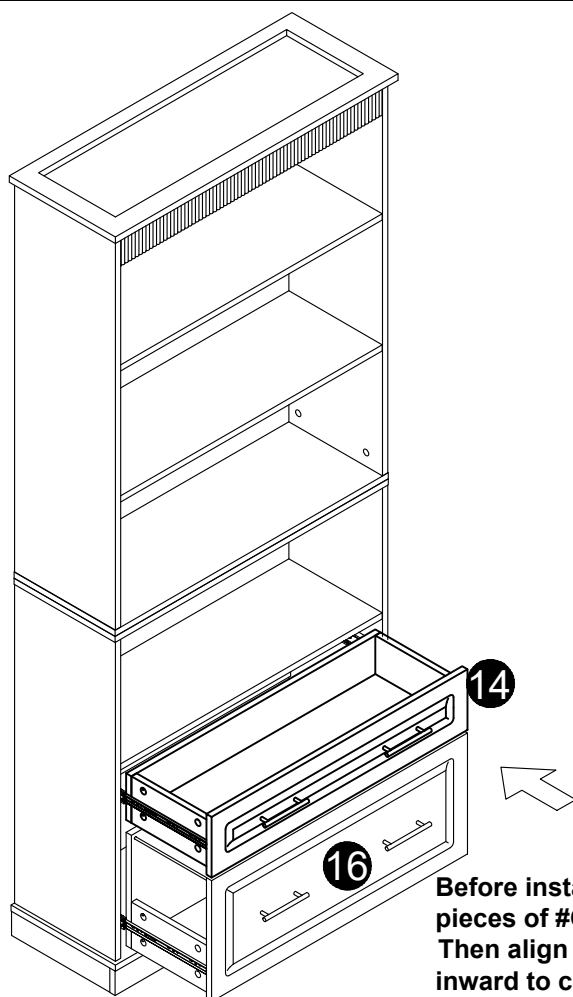
27



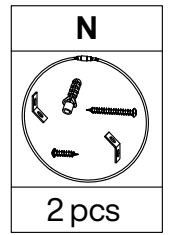
G	O-2
3.5x14mm	240mm
12 pcs	4 pcs



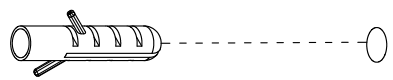
28



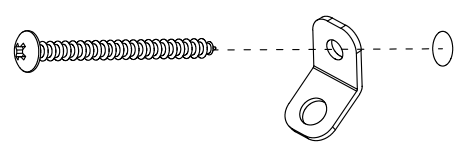
Before installation, slide the inner iron pieces of #O-1 to the outermost side. Then align it with #O-2 and gently push it inward to complete the slide installation.



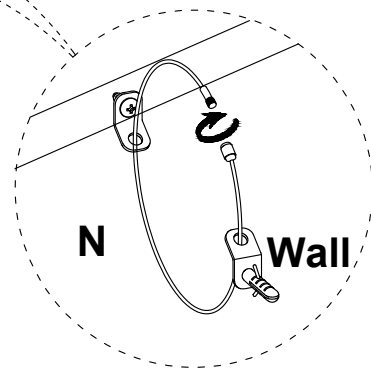
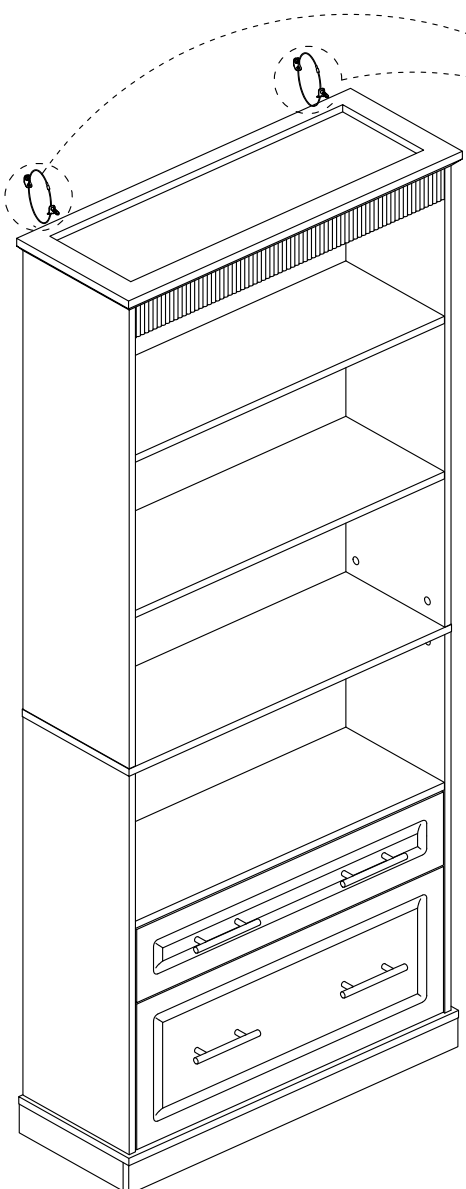
**Step1** **Wall**



**Step2**



**Step3**



**Thank you for your support!**

