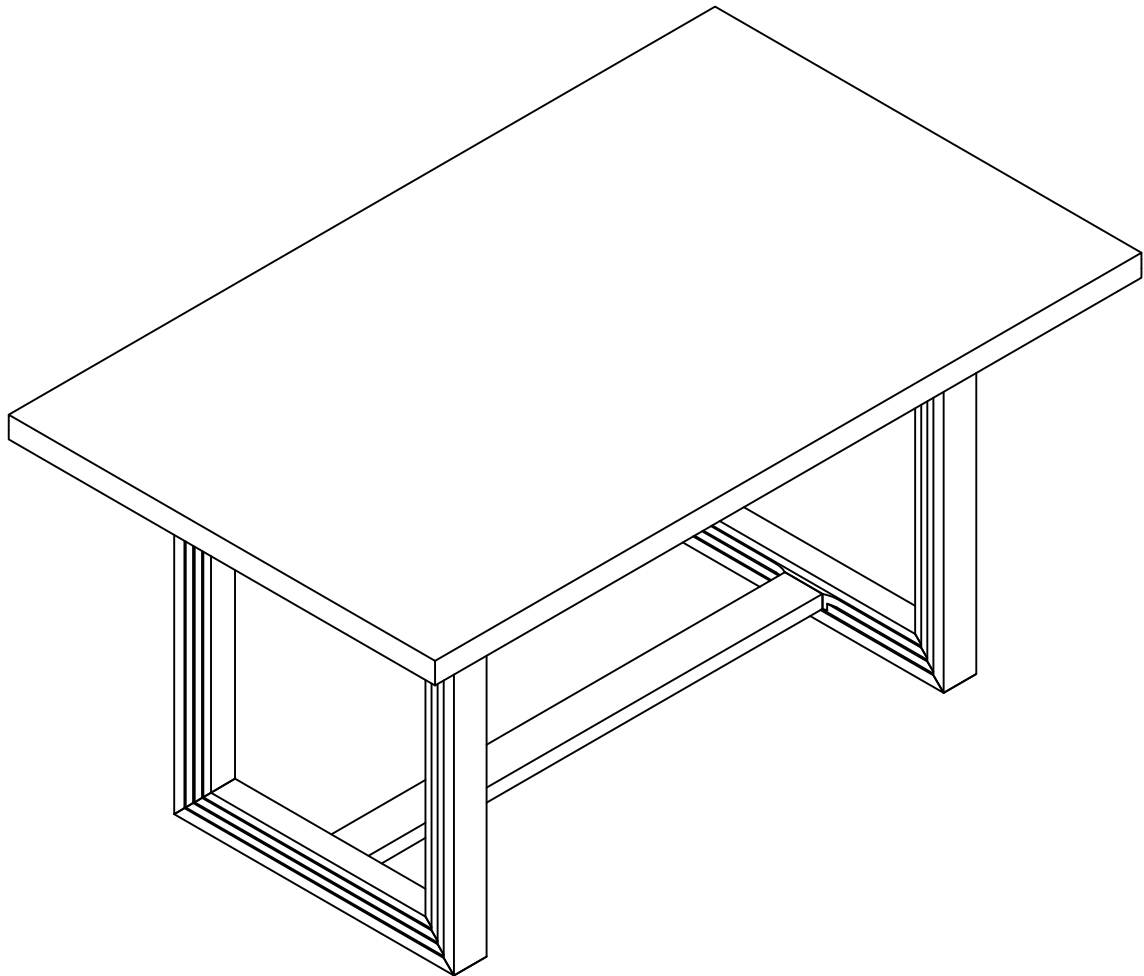


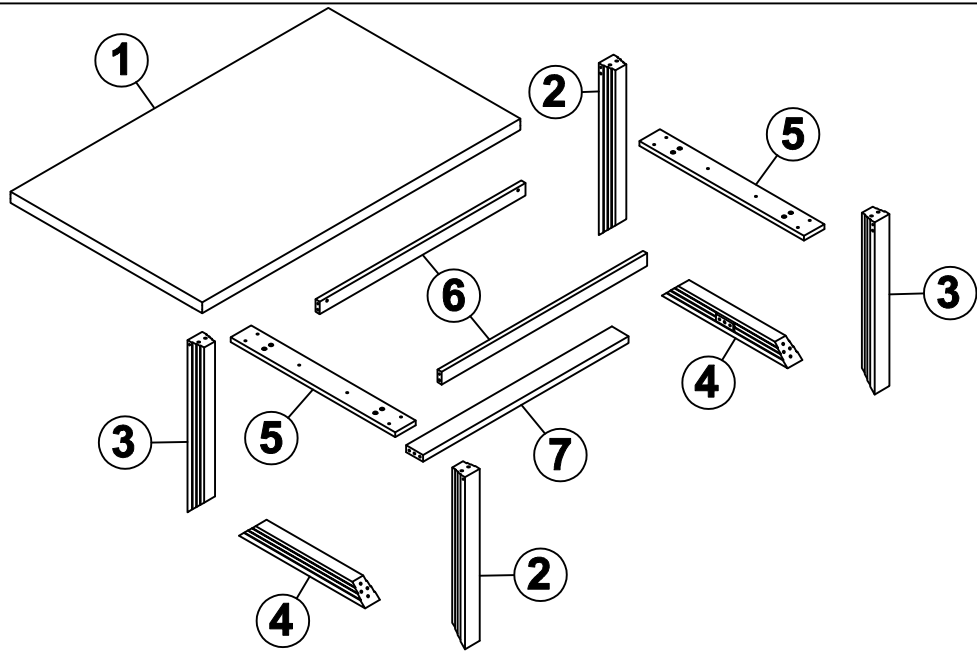
ASSEMBLY INSTRUCTION

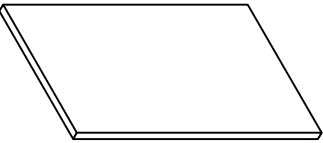

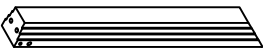

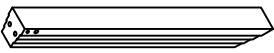



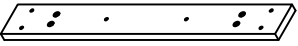

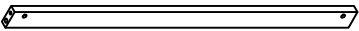

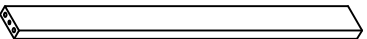



DINING TABLE



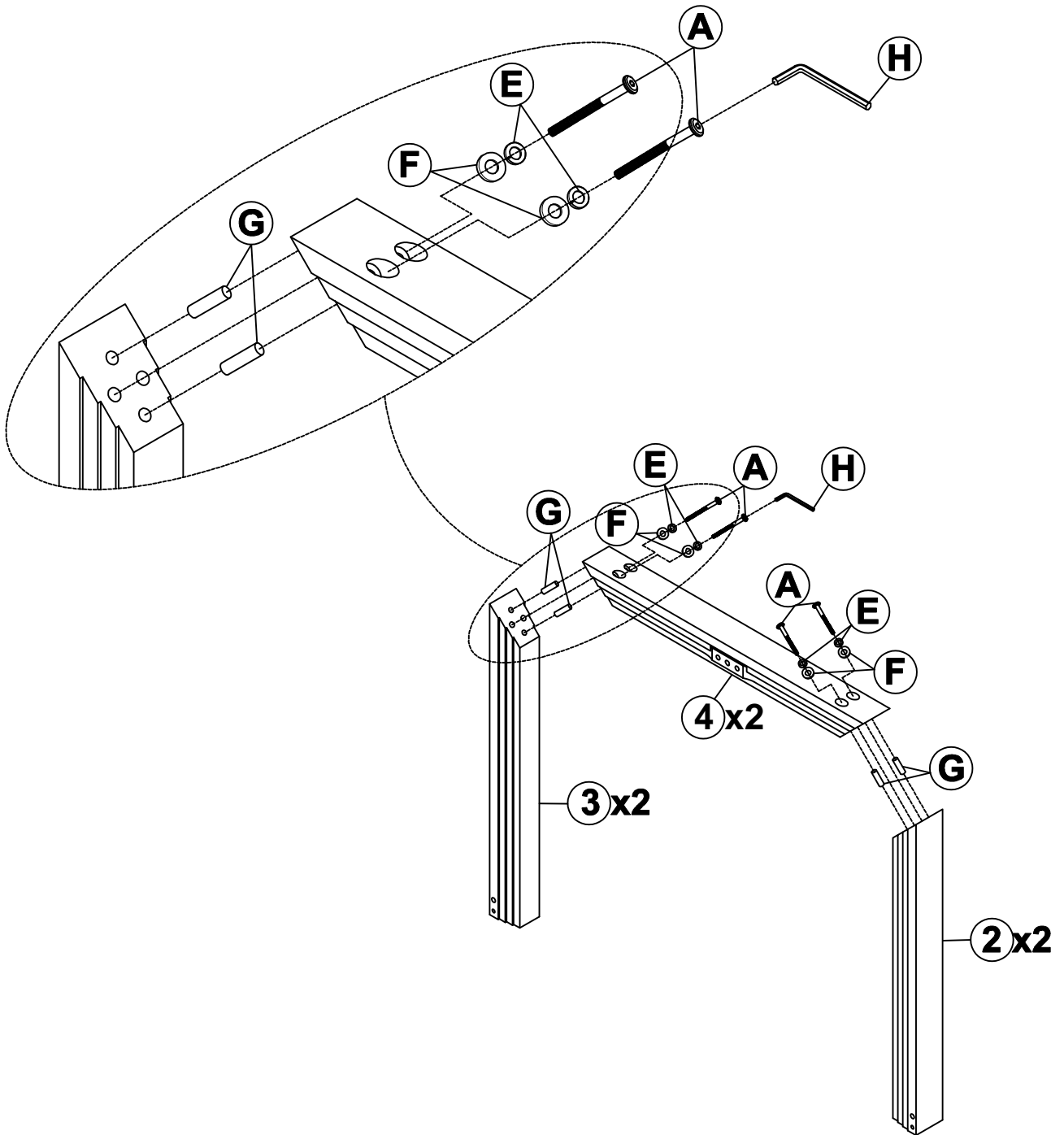
IMPORTANT NOTE :






- ① PLACE ALL PARTS ON A CLEAN AND SMOOTH SURFACE SUCH AS A RUG OR CARPET TO AVOID THE PARTS FROM BEING SCRATCHED.
- ② BEFORE YOU BEGIN , KINDLY FOLLOW THE ASSEMBLY INSTRUCTIONS STEP BY STEP.
- ③ DO NOT TIGHTEN ALL SCREWS AND BOLTS UNTIL THE TABLE IS FULLY SET-UP



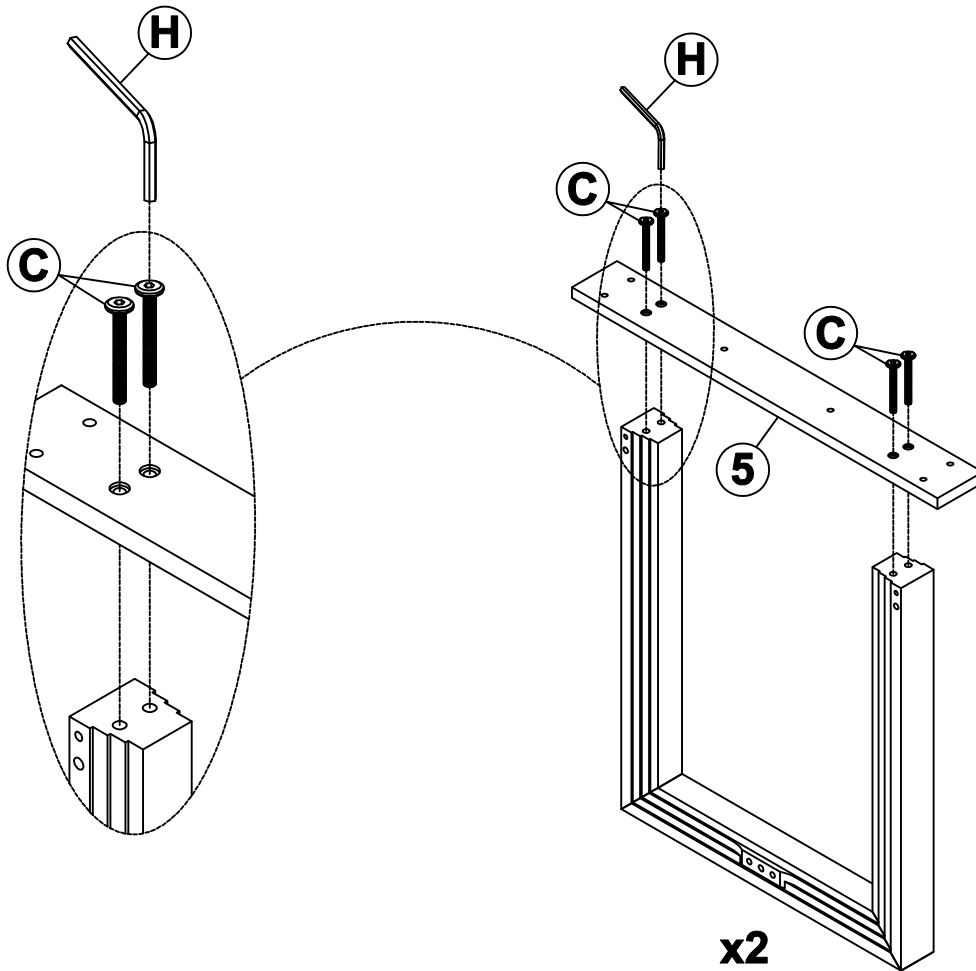
PART LIST		HARDWARE LIST	
①	 TOP TABLE(1pc)	Ⓐ	 Ø5/16" x 65mm BOLT (8pcs)
②	 LEG FRAME (2pcs)	Ⓑ	 Ø5/16" x 55mm BOLT (2pcs)
③	 LEG FRAME (2pcs)	Ⓒ	 Ø5/16" x 35mm BOLT (20pcs)
④	 LEG FRAME (2pcs)	Ⓓ	 Ø1/4" x 110mm BOLT (4pcs)
⑤	 STRETCHER (2pcs)	Ⓔ	 Ø5/16"x13mm SPRING WASHER (8pcs)
⑥	 STRETCHER (2pcs)	Ⓕ	 Ø5/16"x19mm FLAT WASHER (8pcs)
⑦	 STRETCHER (1pc)	Ⓖ	 Ø10 x 40mm WOODEN PEGS (16pcs)
		Ⓗ	 4x58mm ALLENKEY (1pc)
		Ⓘ	 28x15x7mm FLAT WASHER (2pcs)



Step 1



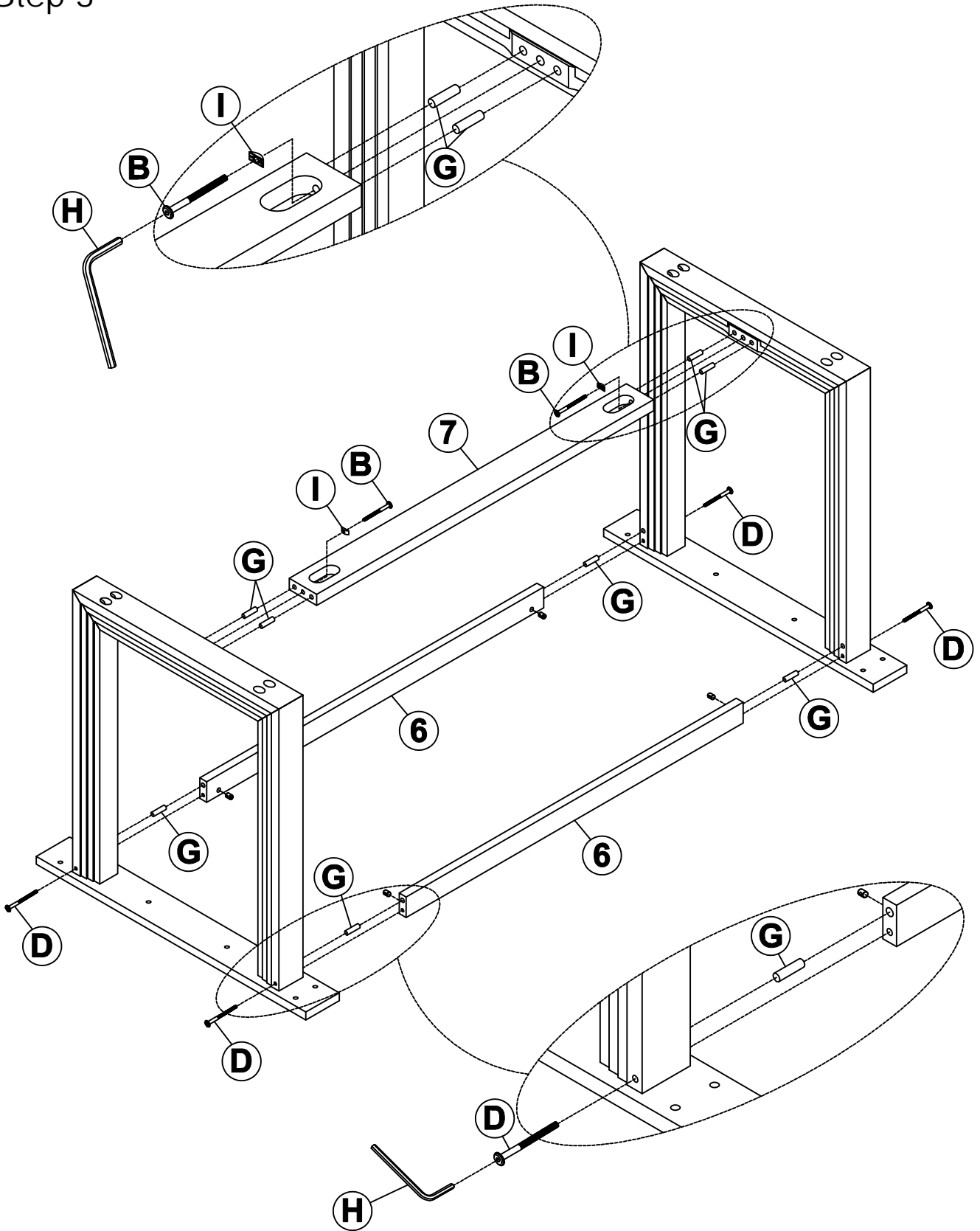
G	Ø10x40		8PCS			
A	Ø5/16"x65		8PCS	F	Ø5/16"x19	 8PCS
E	Ø5/16"x13		8PCS	H	4x58	 1PC






Step 2



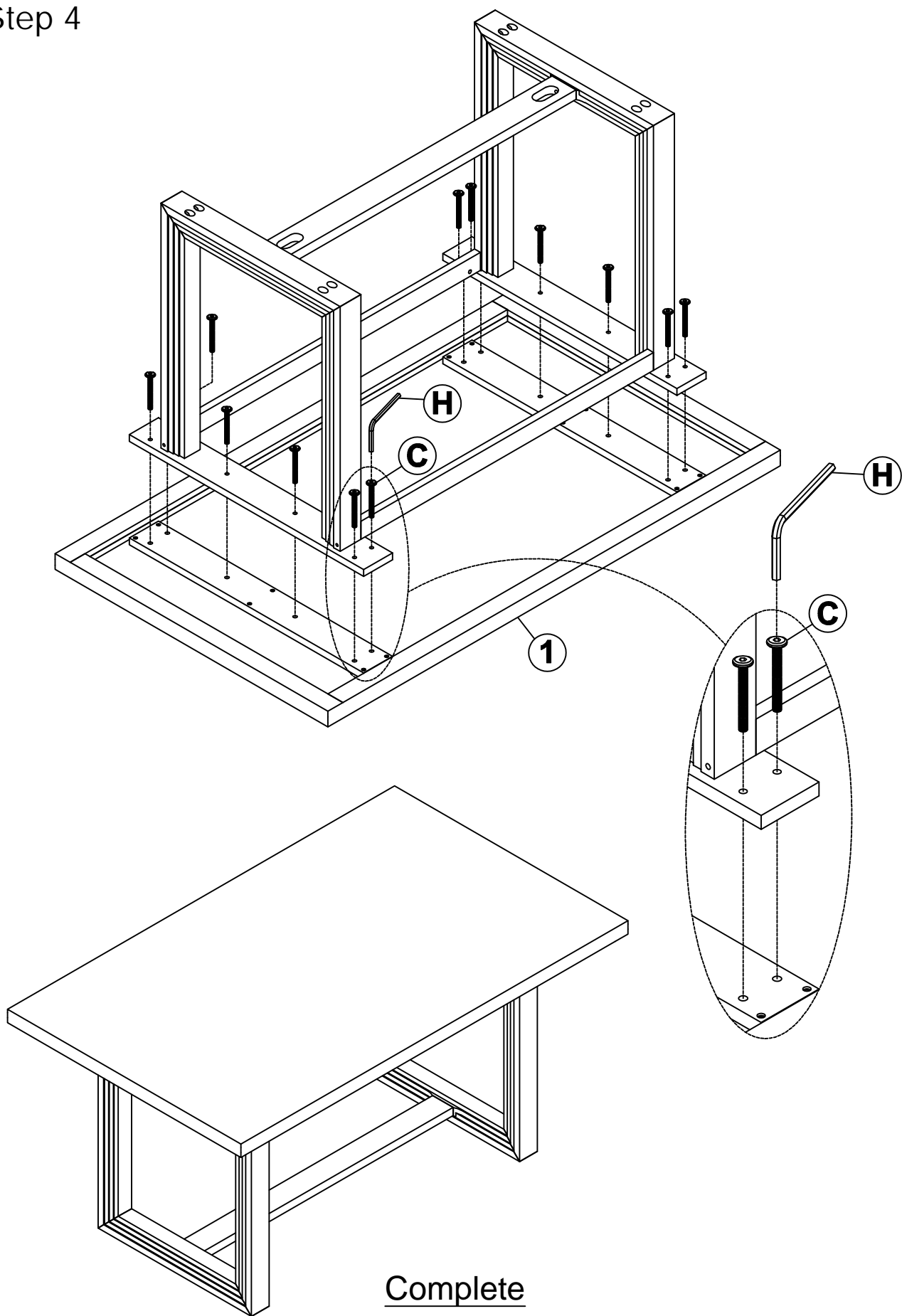
C	Ø5/16"x35		8PCS	H	4x58		1PC
----------	-----------	---	------	----------	------	---	-----

Step 3





				I	28x15x7mm		2PCS
D	Ø1/4"x110		4PCS	G	Ø10x40		8PCS
B	Ø5/16"x55		2PCS	H	4x58		1PC

Step 4



Complete

C	Ø5/16"x35 	12PCS	H	4x58		1PC
----------	---	-------	----------	------	---	-----