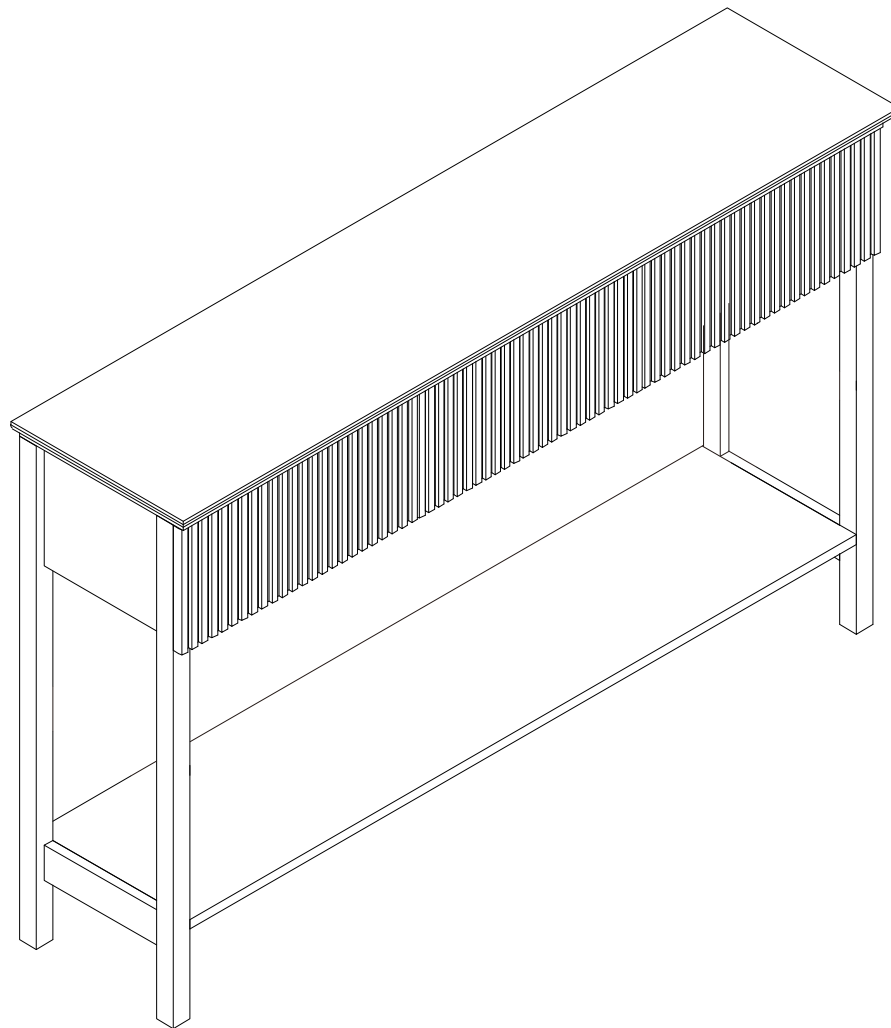
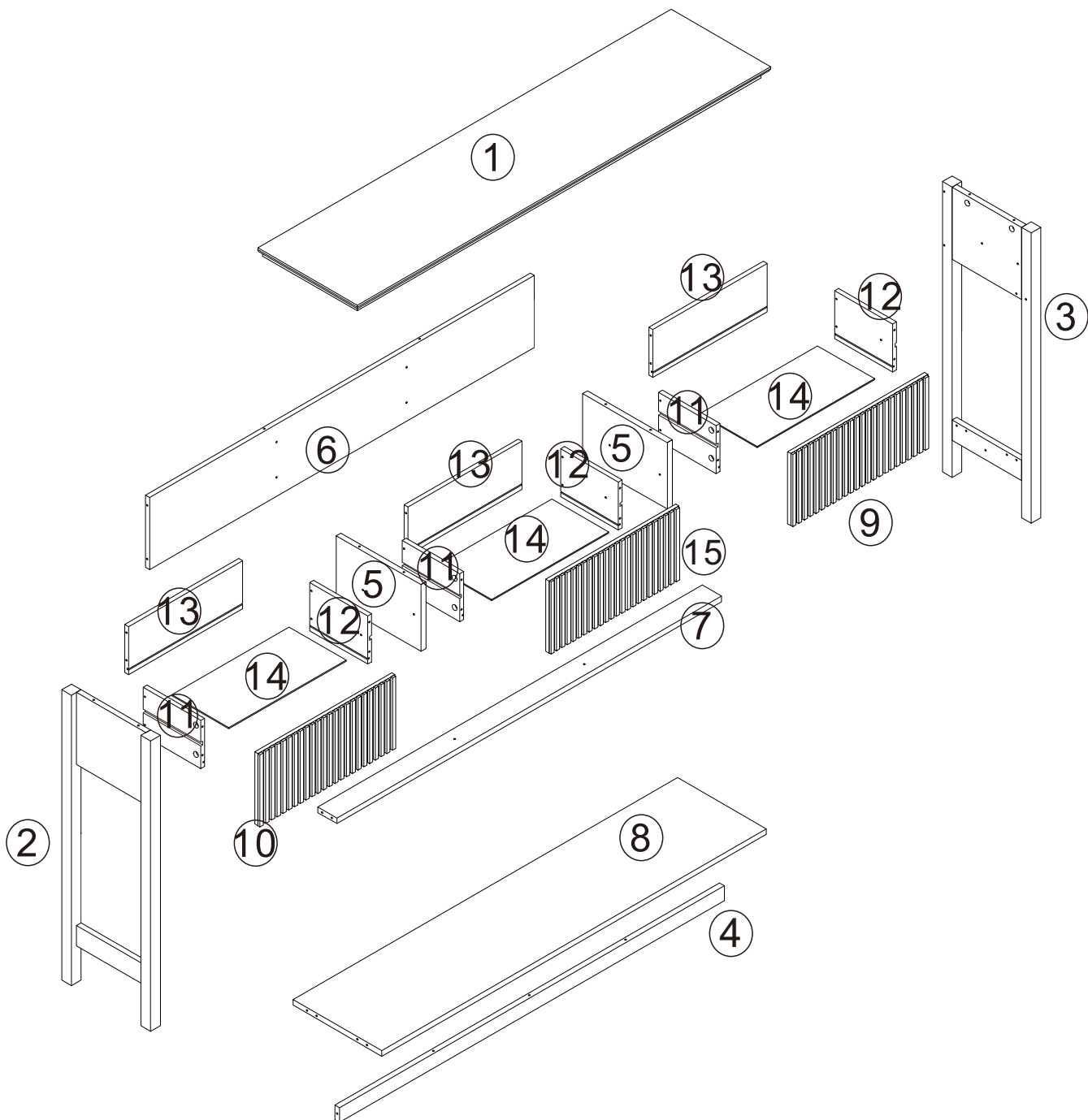


# INSTRUCTION MANUAL

Thank you for your support.  
Follow us for more updates!

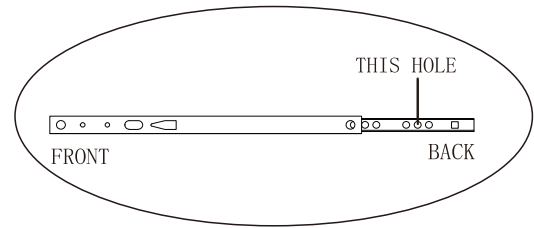
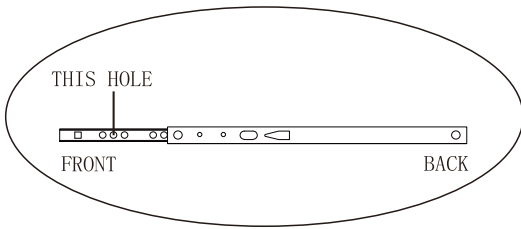
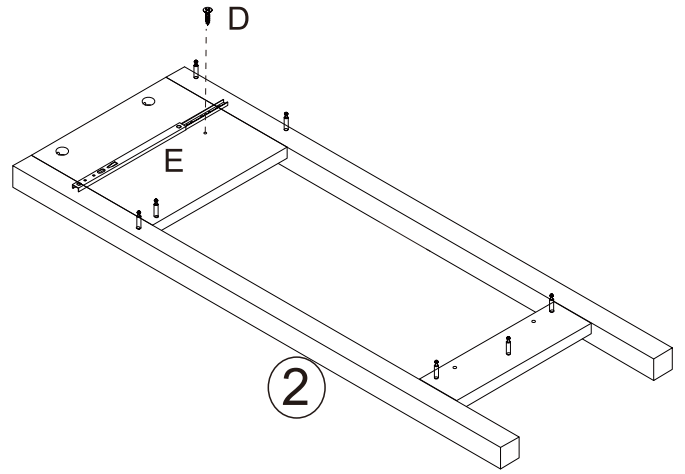
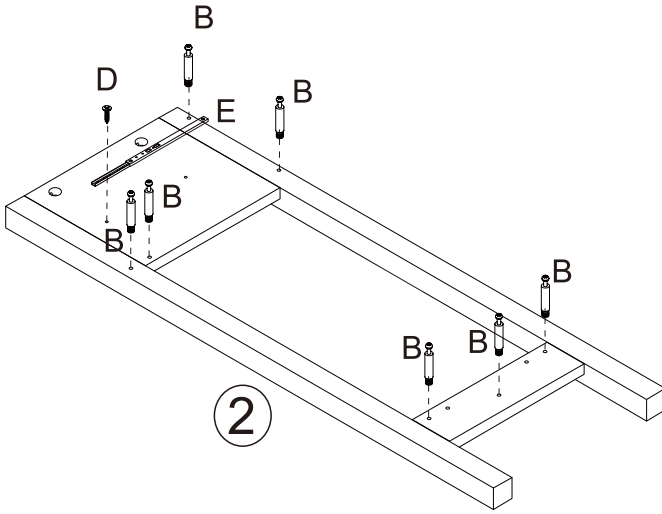





Thank you for purchasing our product. Please contact us and Leave order number if you have difficulty with installing or need replacement parts. Customer service is here to assist you all the time.  
E-MAIL: [yutrfservice@outlook.com](mailto:yutrfservice@outlook.com)



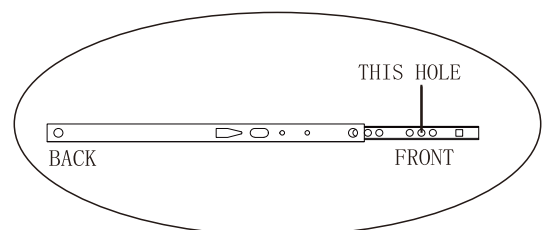
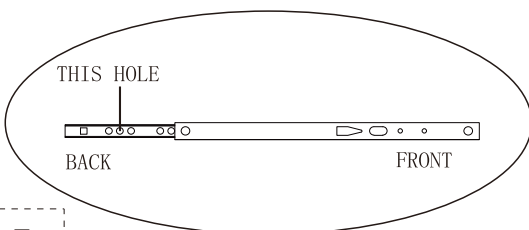
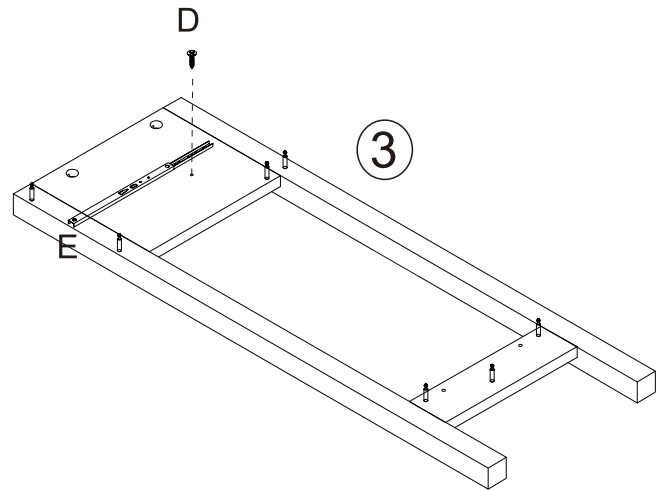
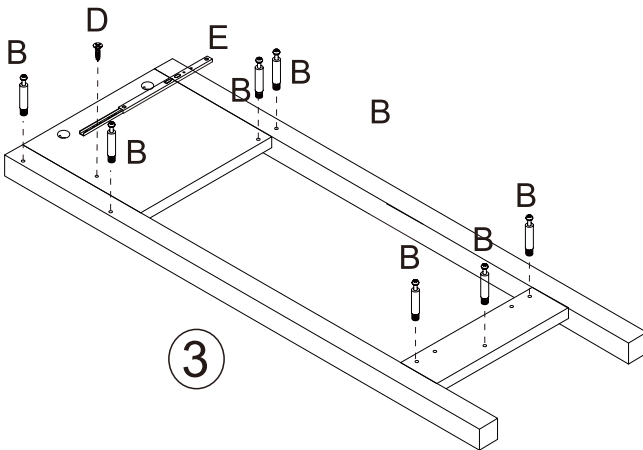
<b>Ax36</b>	<b>Bx36</b>	<b>Cx4</b>	<b>Dx12</b>	<b>Ex6</b>
<b>Fx11</b>	<b>Gx12</b>	<b>Hx2</b>	<b>Ix6</b>	<b>Jx2</b>
<b>Kx2</b>	<b>Lx4</b>			




# Step 1



	Bx7
	Dx2
	Ex1

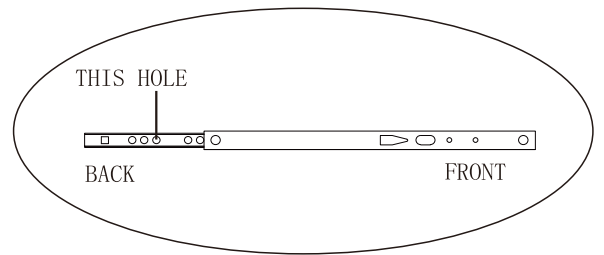
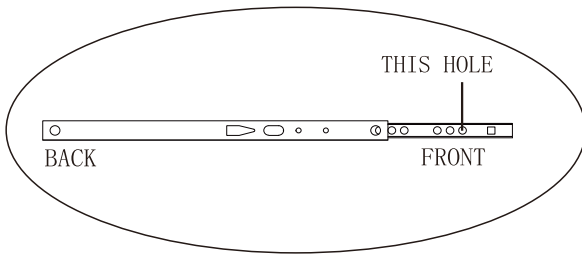
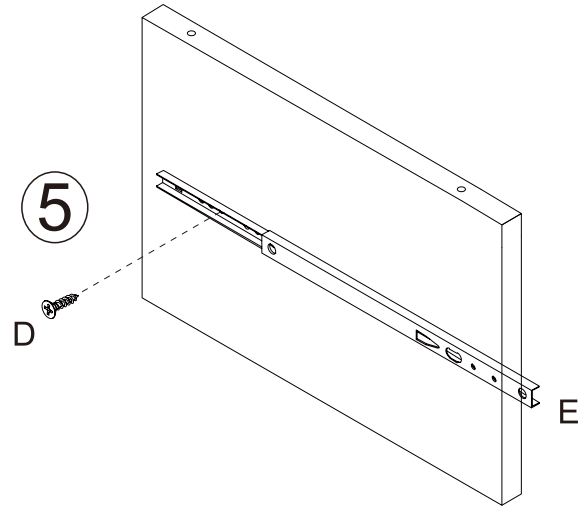
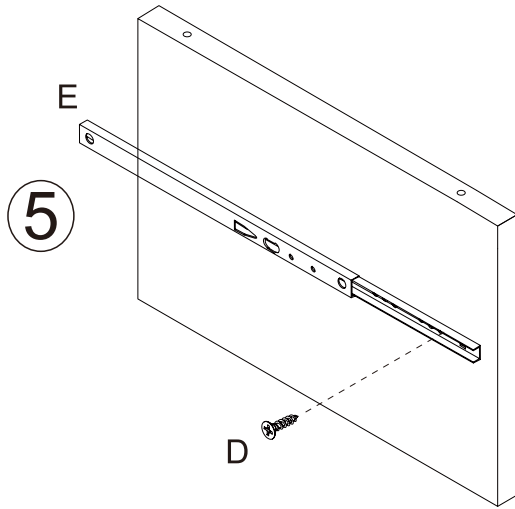
# Step 2





	Bx7
	Dx2
	Ex1

# Step 3

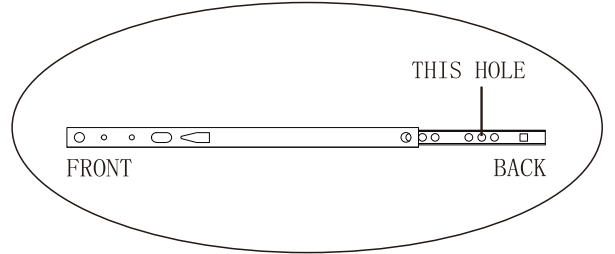
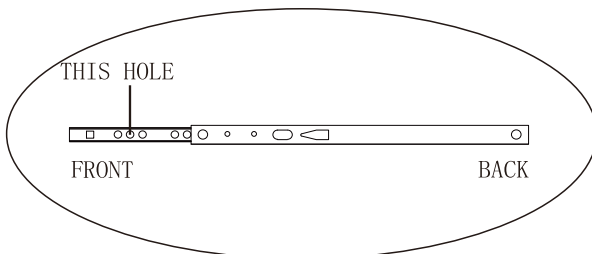
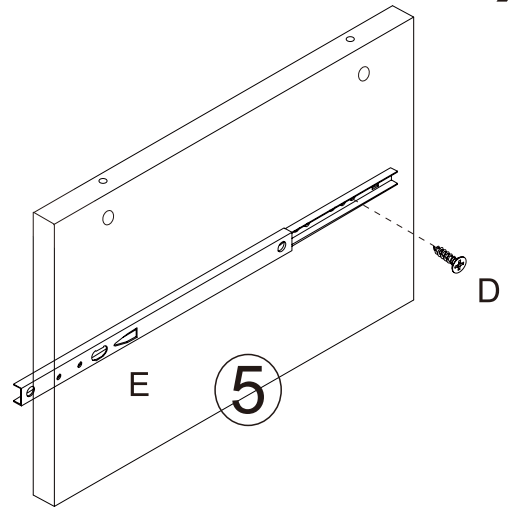
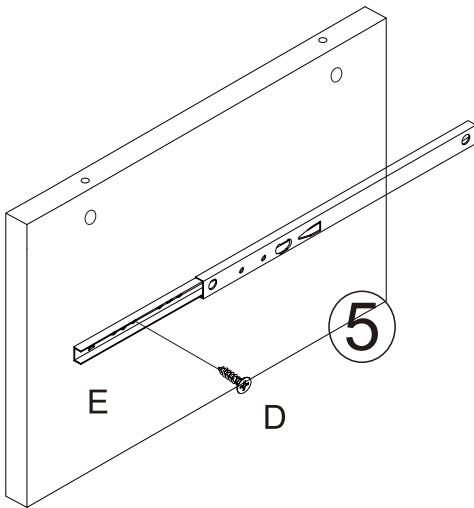
x2





	Dx4
	Ex2

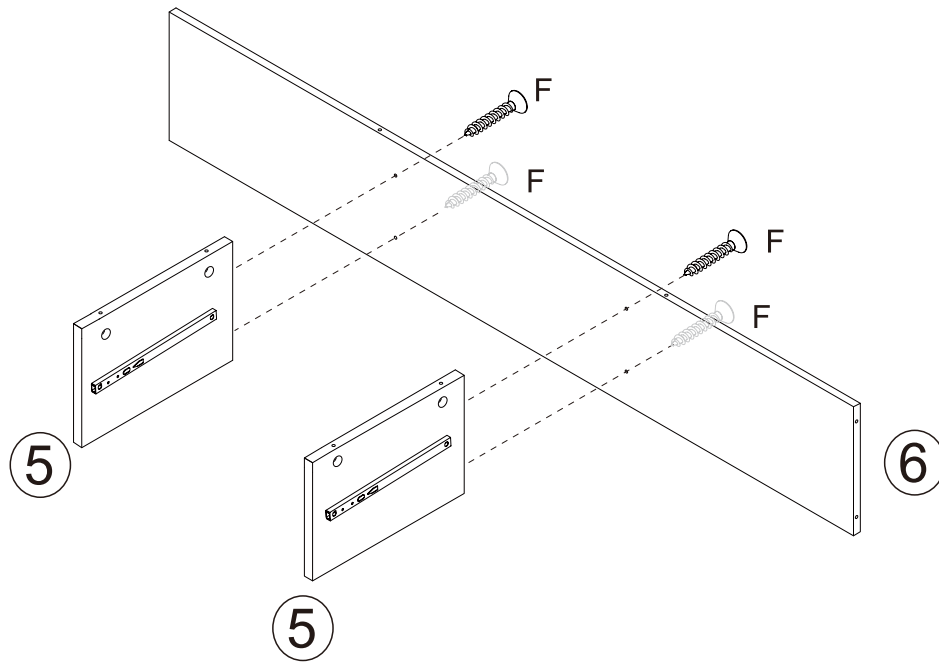
# Step 4

x2



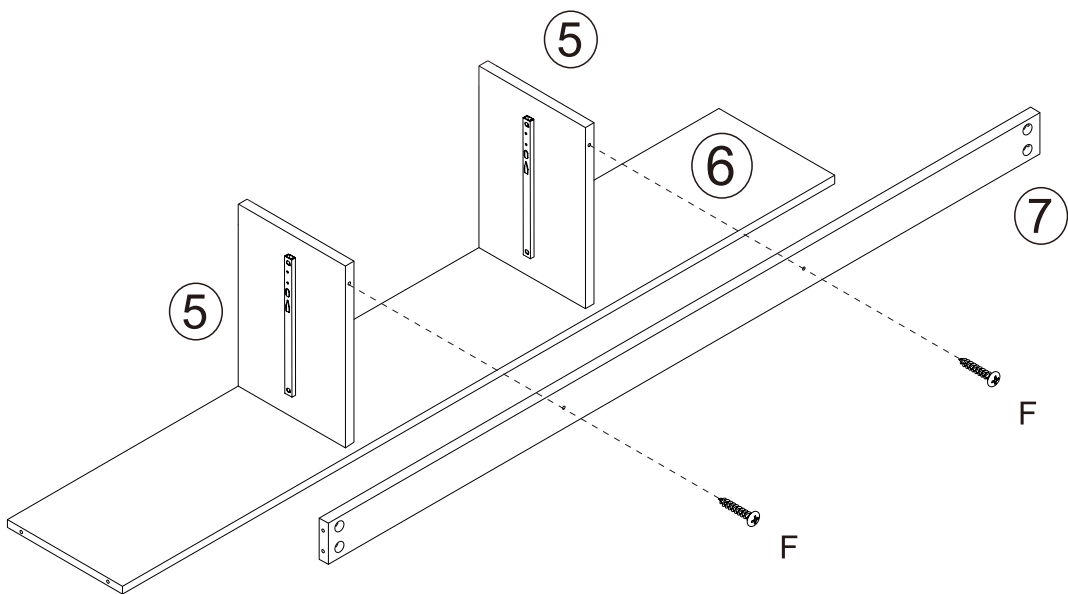
	Dx4
	Ex2

# Step 5



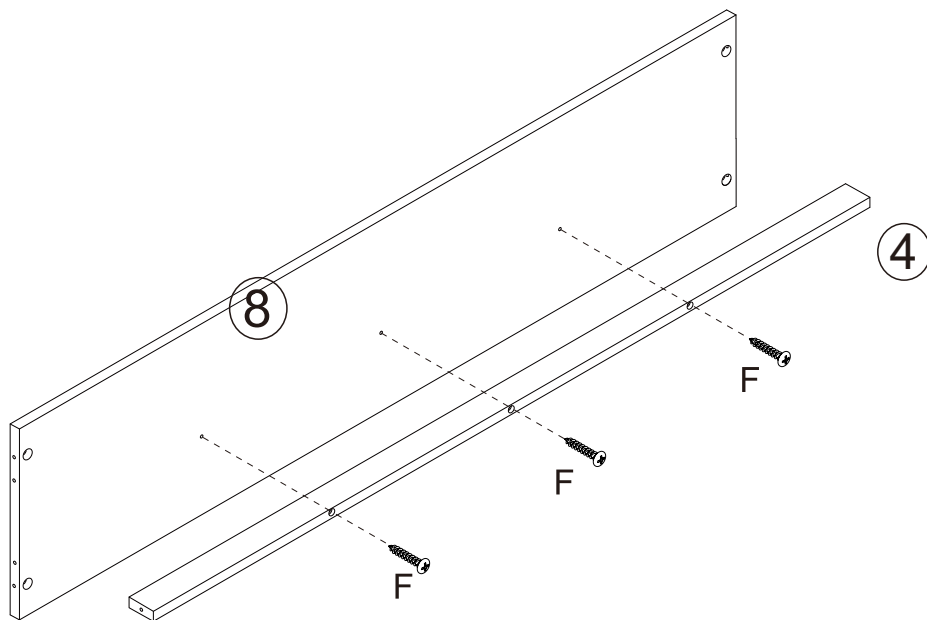
Fx4

# Step 6



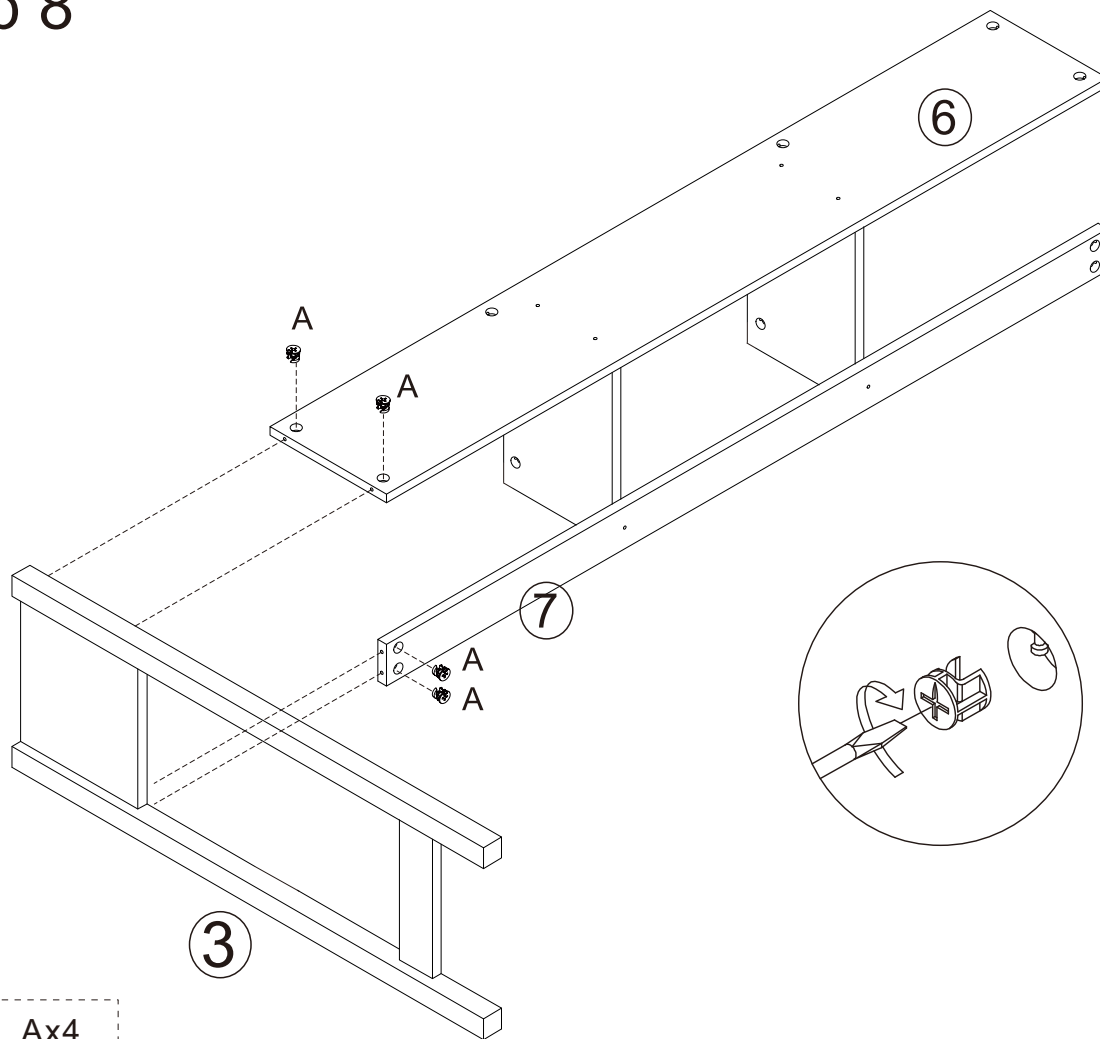
Fx2

# Step 7



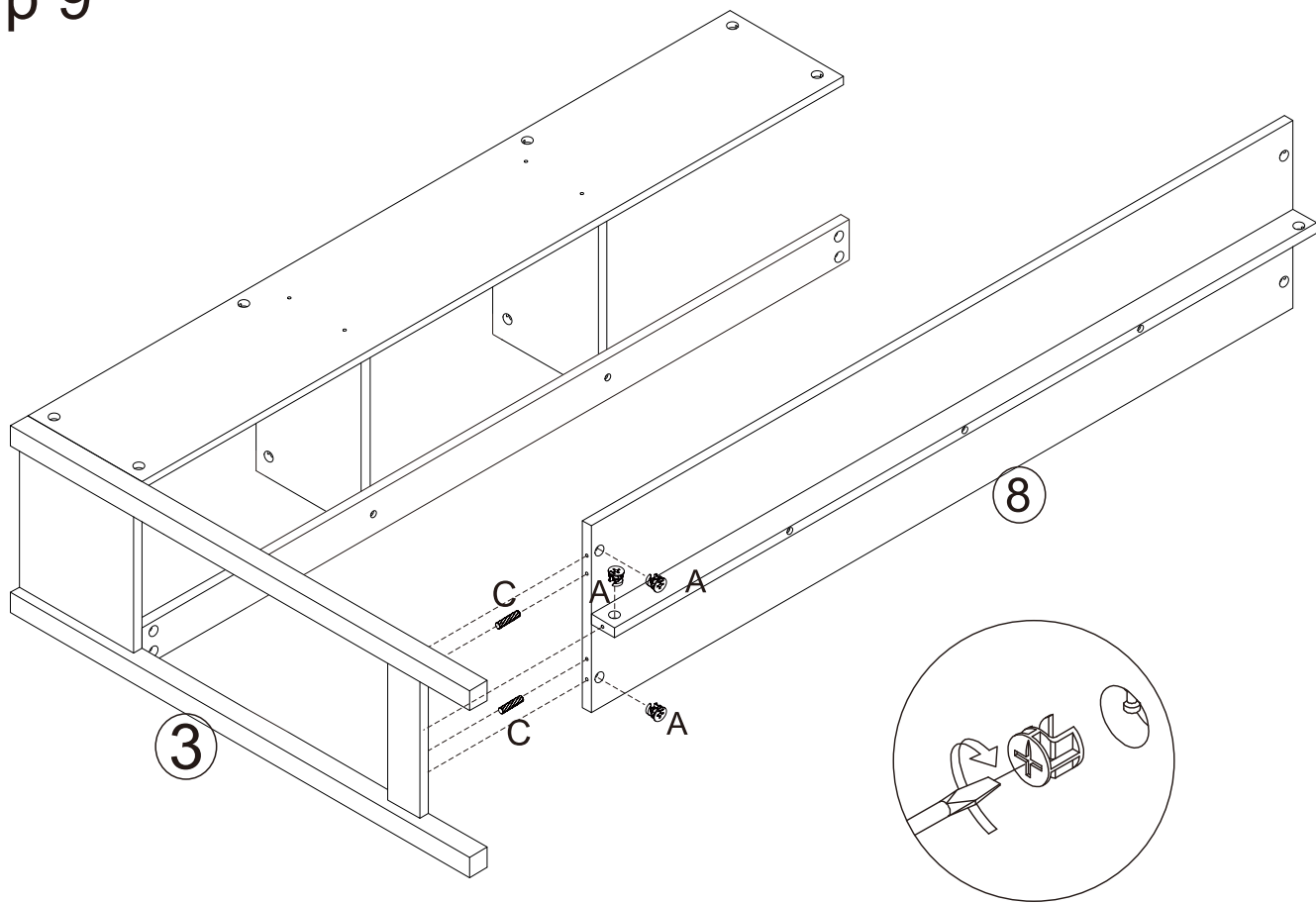
Fx3

# Step 8



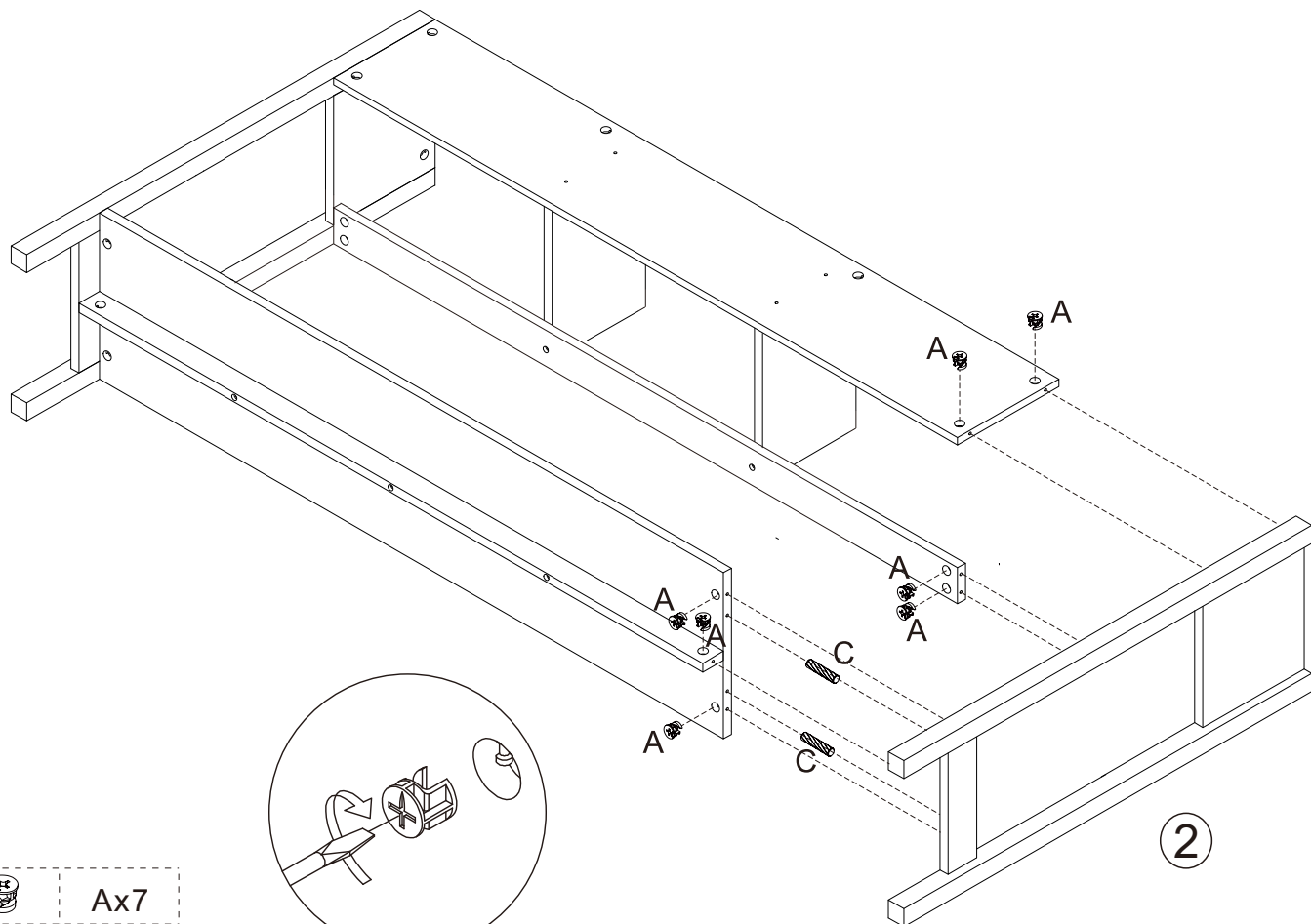
Ax4



# Step 9



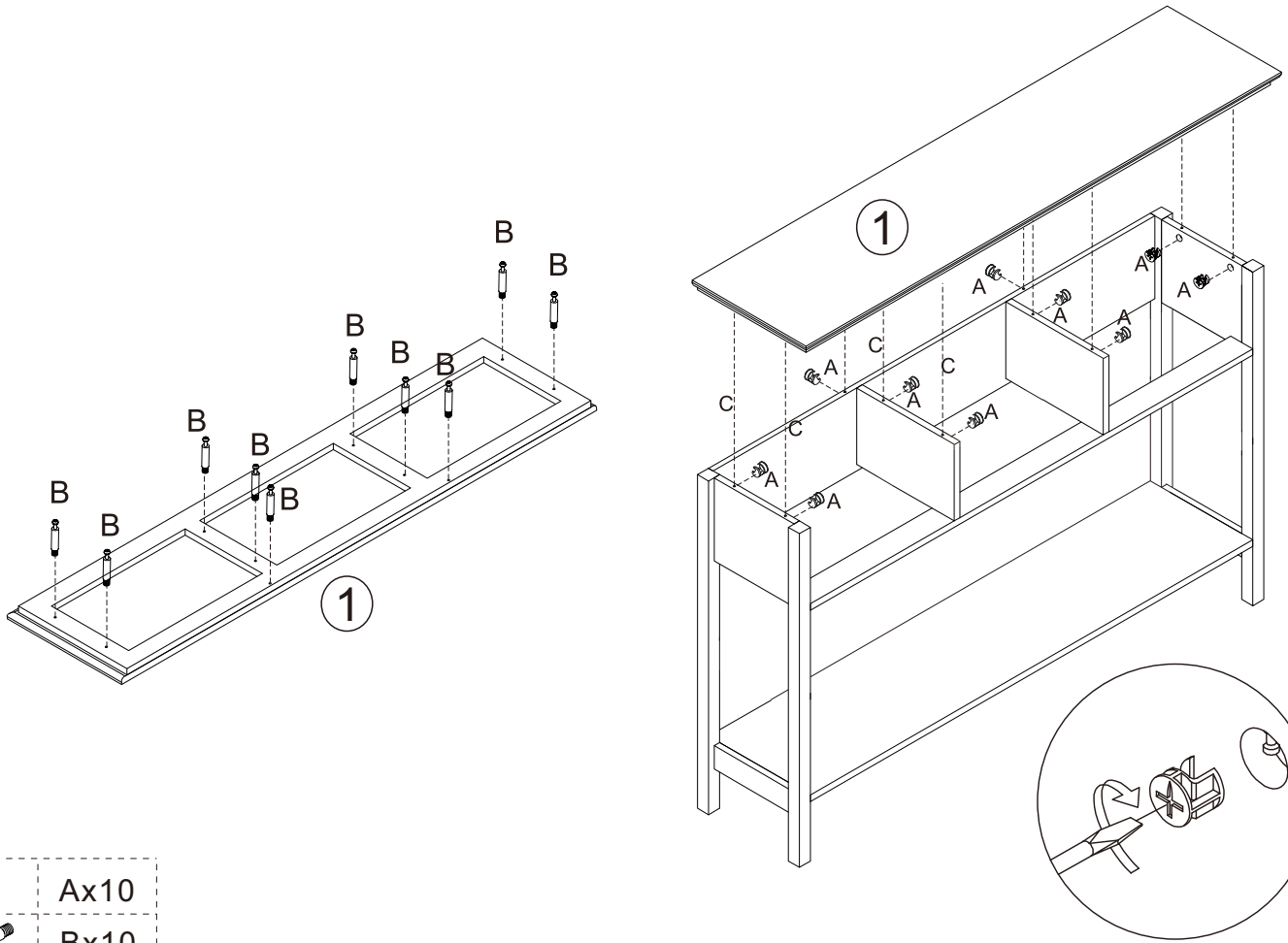
- |  |     |
|--|-----|
|  | Ax3 |
|  | Cx2 |


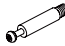
# Step 10



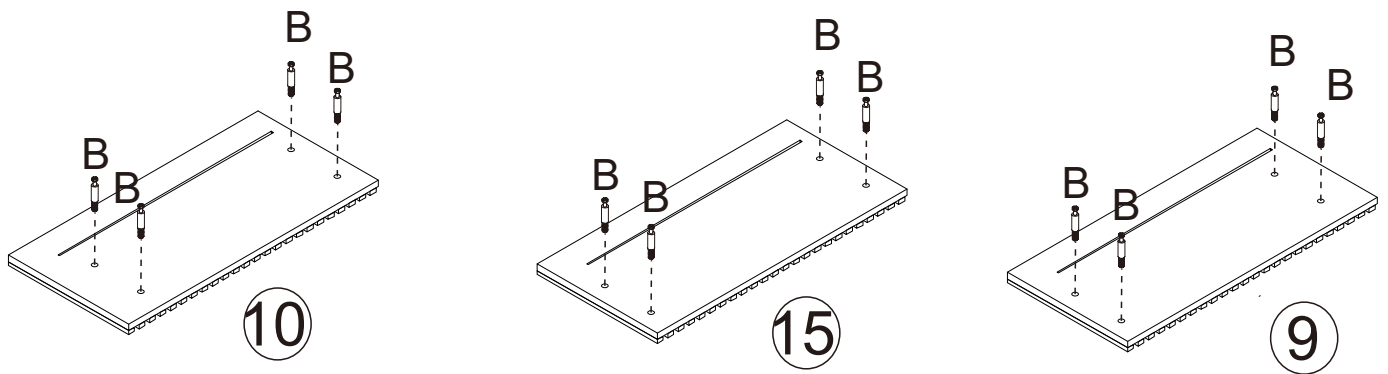
- |  |     |
|--|-----|
|  | Ax7 |
|  | Cx2 |

# Step 11



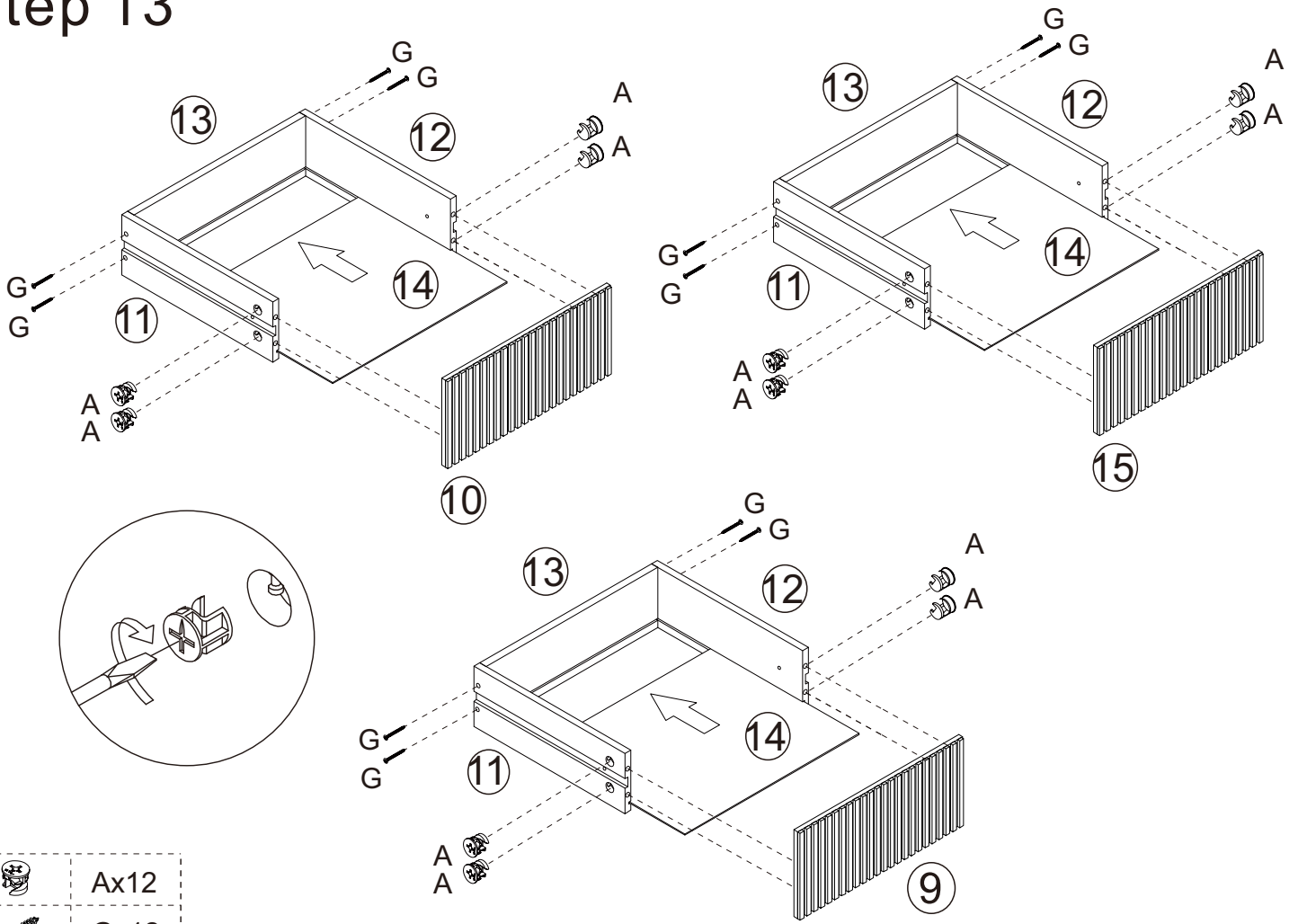
	Ax10
	Bx10

# Step 12

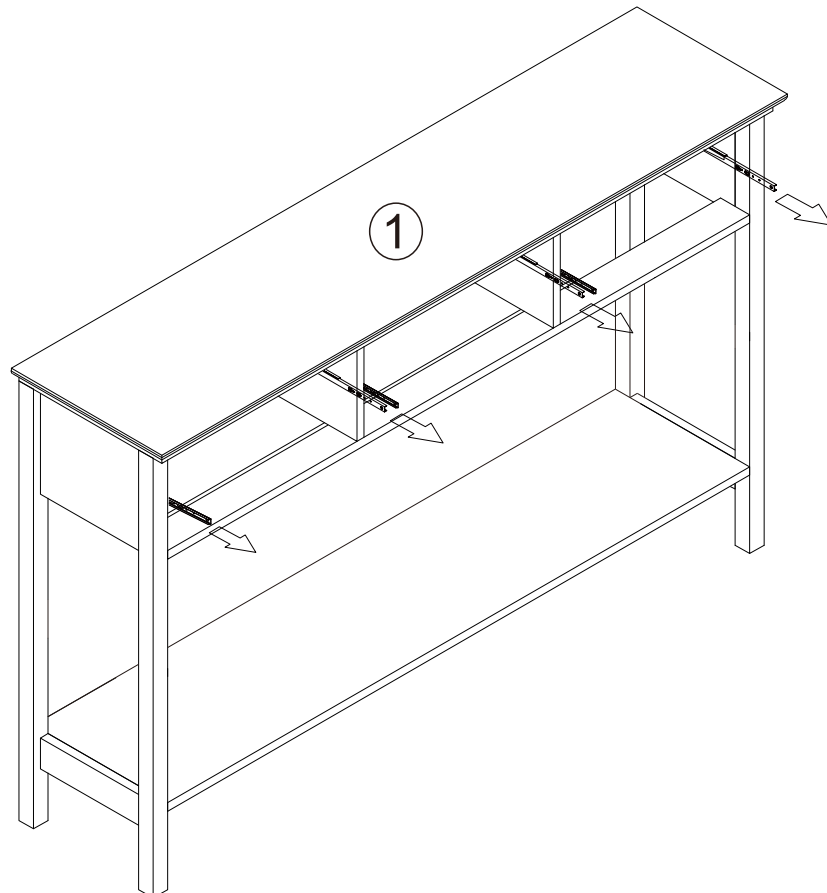


	Bx12
--	------

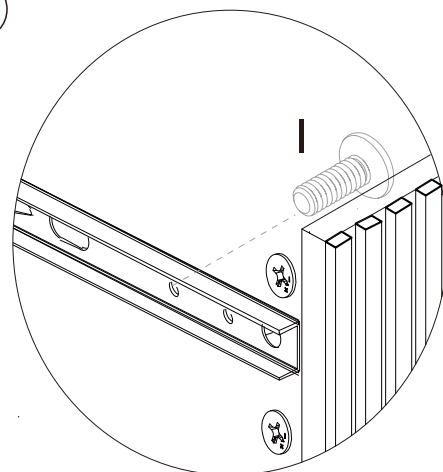
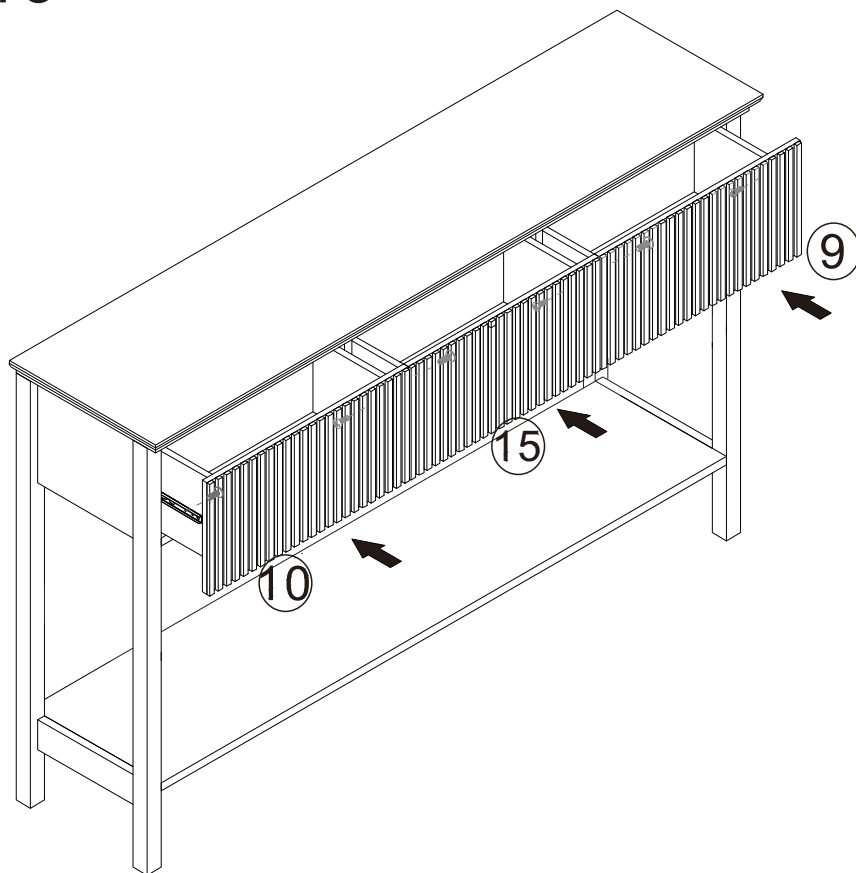
# Step 13




# Step 14

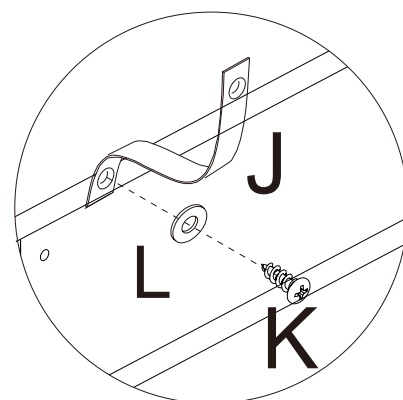
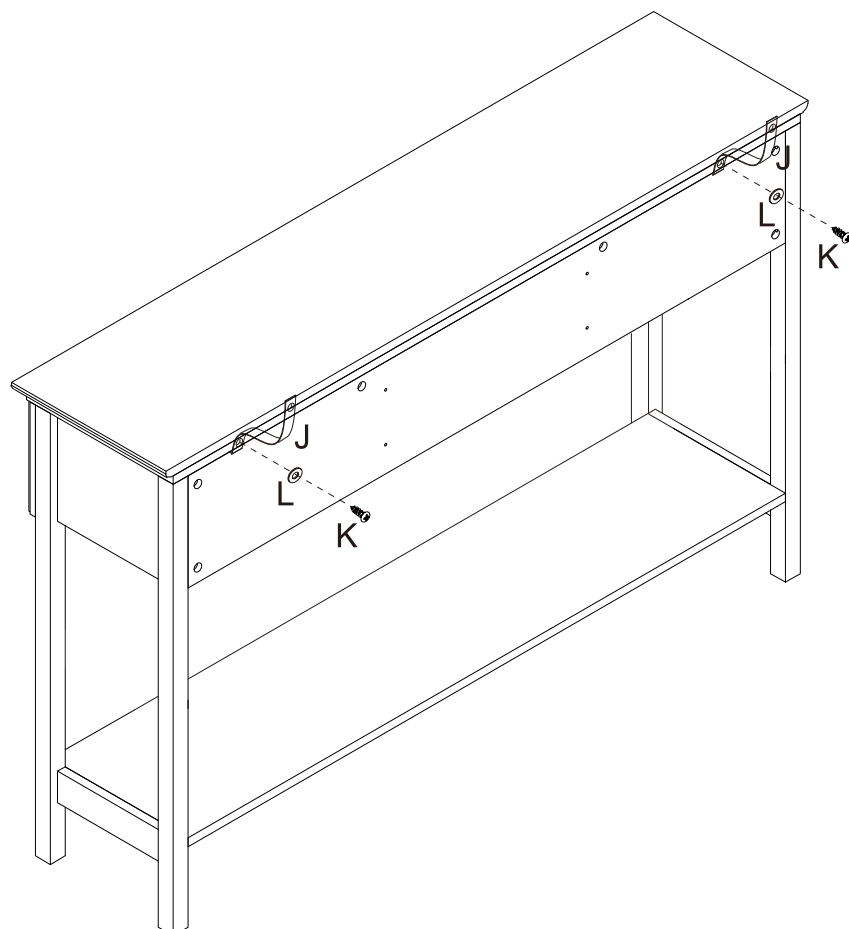





# Step 15



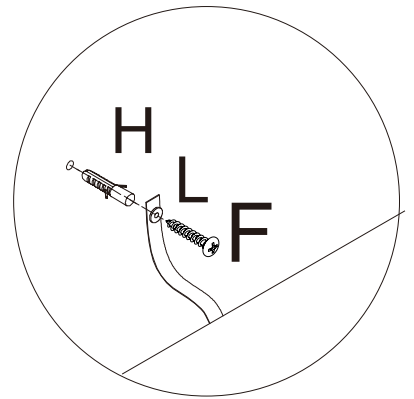
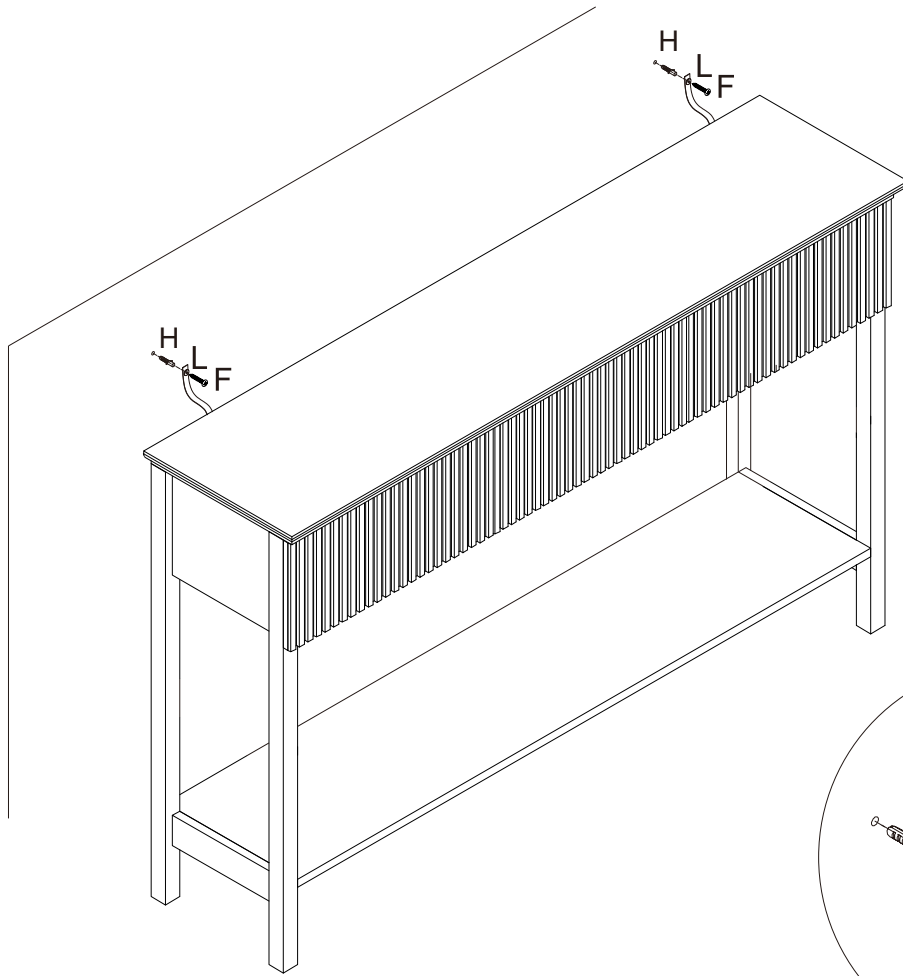
 1x6

# Step 16



	Jx2
	Kx2
	Lx2

# Step 17



Fx2



Lx2



Hx2