

Packaging 包装

Product packaging inside 内部包装图片



Accessories 配件

Assembly Kits, Anti-Tilt Kits, Spare Parts, ... 组装配件、防倾倒配件、备品等...片



Assembly Kits, Anti-Tilt Kits, Spare Parts, ... 组装配件、防倾配件、备品等...片

TOOLS REQUIRED (NOT INCLUDED)



CARING FOR YOUR ITEM

1. Clean the fixture with a soft, dry cloth.
2. Do not use any cleaners with chemicals, solvents or harsh abrasives.



Before attempting to clean the fixture, disconnect the power to the fixture by turning the breaker off or removing the fuse from the fuse box.

PRODUCT TROUBLESHOOTING

PROBLEM	POSSIBLE CAUSES	SOLUTION
Bulb won't light.	<ol style="list-style-type: none"> 1. Bulb is burned out. 2. Power is off. 3. Faulty wire connection. 4. Faulty switch. 	<ol style="list-style-type: none"> 1. Replace light bulb. 2. Make sure power supply is on. 3. Check wiring. 4. Test or replace switch.
Fuse blows or circuit breaker trips when light is turned on.	Crossed wires or power wire is grounding out.	Check wire connections.

WARNING: RISK OF ELECTRIC SHOCK

Before starting installation of this fixture or removal of a previous fixture, disconnect the power by turning off the circuit breaker or by removing the fuse at the fuse box. Turning the power off at the switch is not sufficient to prevent electrical shock.

FIG.1. Place the wall switch to the "OFF" position. Depending on which type of fuse box you have in your home.

FIG.2. Place either the main (Master) switch to the "OFF" position, cutting off power to your entire home or turn off the individual switch that provides power to where the fixture will be installed.

OR

FIG.3. Place either the main (Master) switch to the "OFF" position, cutting off power to your entire home OR unscrew the fuse that provides power to where the fixture will be installed.



FIG.1 WALL SWITCH



FIG.2 BREAKER PANEL

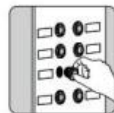


FIG.3 FUSE BOX

P-02

Parts List

① 1pcs	② 1pcs	③ 1pcs	④ 4pcs
⑤ 6pcs	⑥ 3pcs	⑦ 6pcs	

Hardware List

A 2pcs	B 3pcs	C 2pcs	D 2pcs

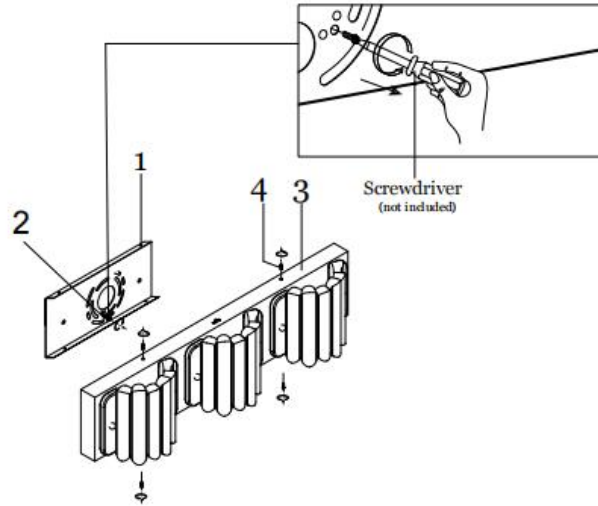


Please check if the parts are intact before starting the assembly.

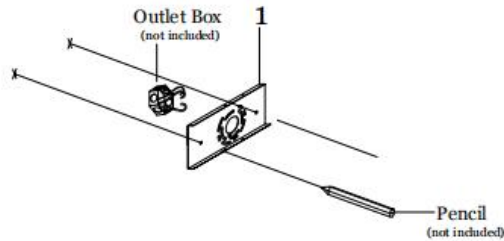
Accessories 配件

Assembly Kits, Anti-Tilt Kits, Spare Parts, ... 组装配件、防倾倒配件、备品等...片

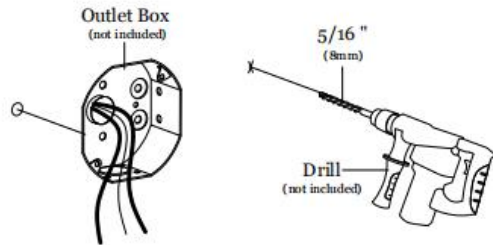
1



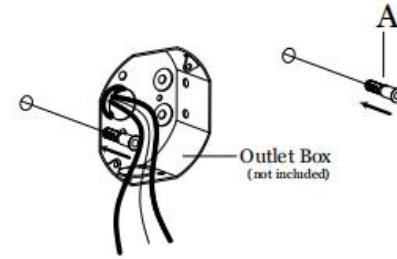
2



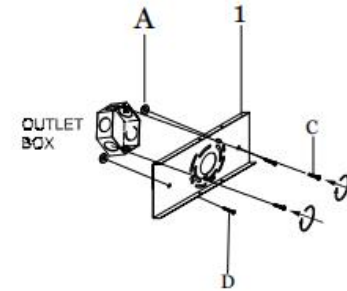
3



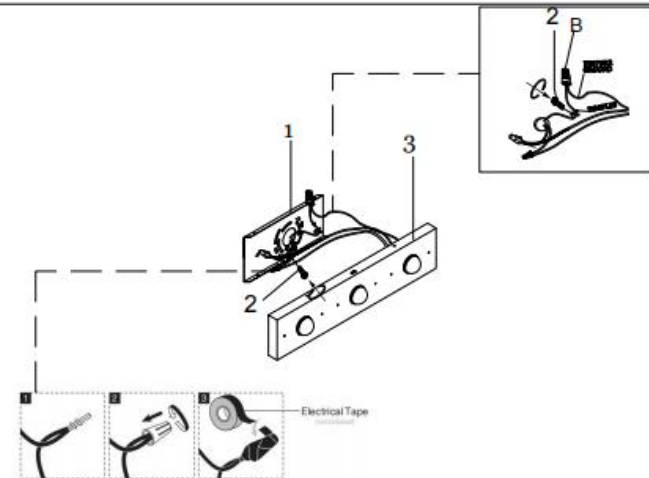
4



5



6



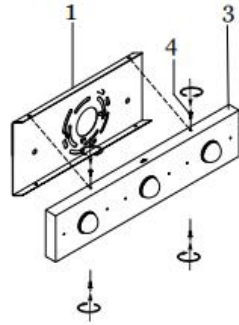
Caution

P-04

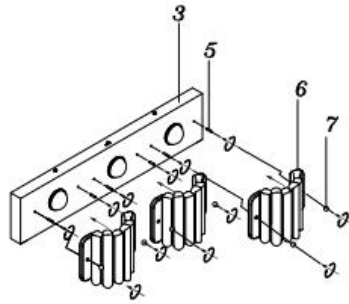
Connect wires, black to black (hot), white to white (neutral) and copper wire to ground wire. Once complete, tuck the excess wire into the outlet box.

Assembly Kits, Anti-Tilt Kits, Spare Parts, ... 组装配件、防倾倒配件、备品等...片

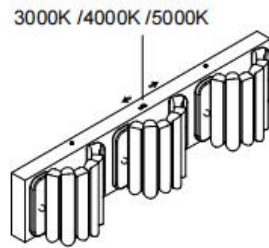
7



8



9



Choose your favourite color temperature by DIP Switch(L).