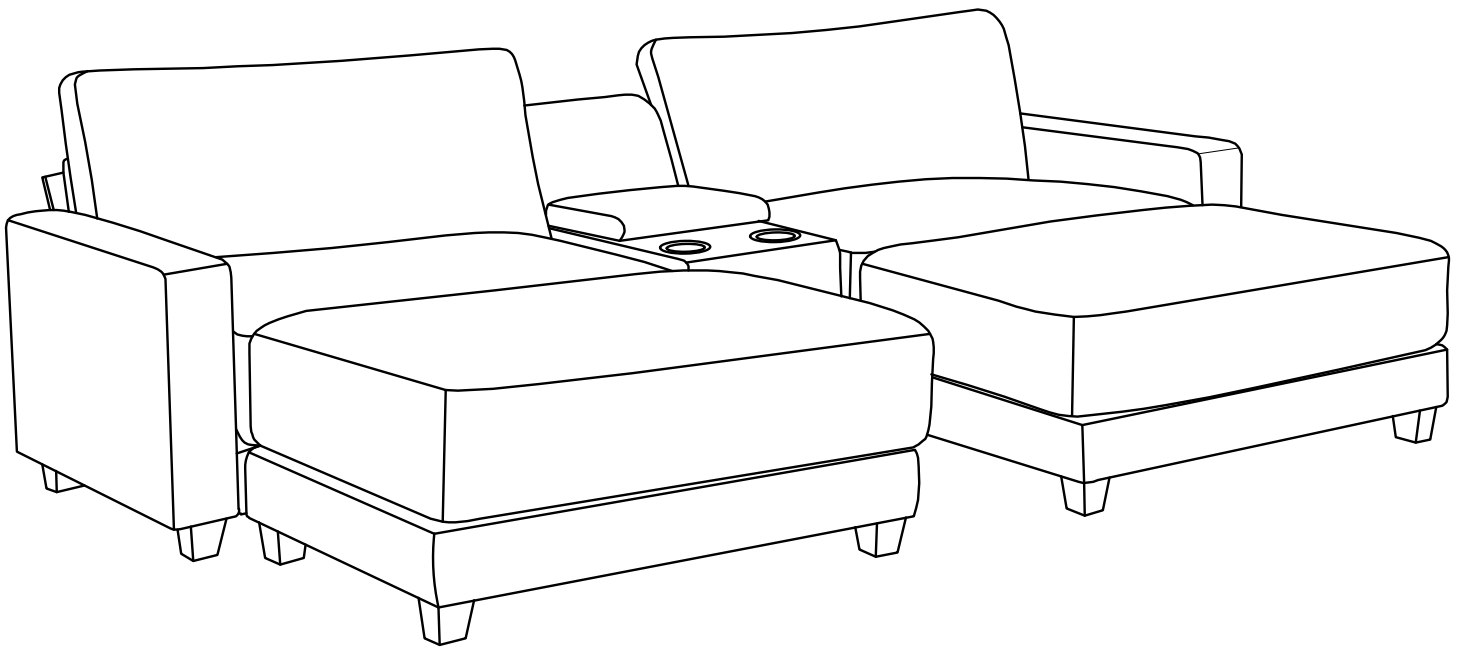


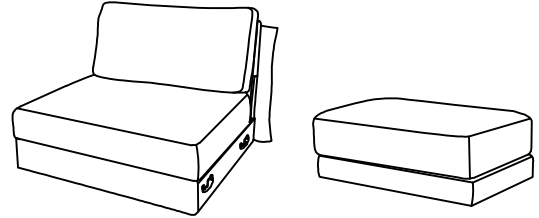
# Installation & Assembly



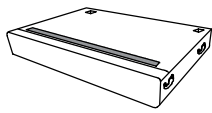
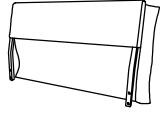


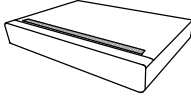

# Assembly instructions

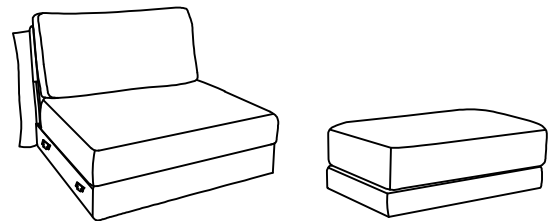
Your sectional comes packaged in 3 boxes. Carefully remove all of components from the packaging and set aside for assembly.

## Package Contents

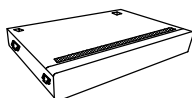
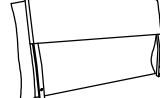
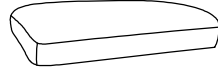

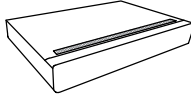



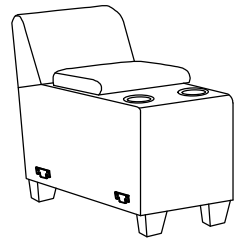
### Parts list (Carton A)

<b>A</b>  <b>x1</b> <b>Seat Frame</b>	<b>B</b>  <b>x1</b> <b>Backrest</b>	<b>C</b>  <b>x1</b> <b>Seat Cushion</b>	<b>D</b>  <b>x1</b> <b>Back Cushion</b>
<b>E</b>  <b>Ottoman Seat Frame</b>	<b>F</b>  <b>Ottoman Seat Cushion</b>		

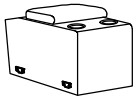
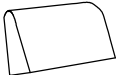
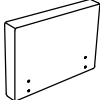
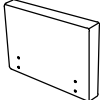
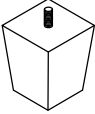


### Parts list (Carton B)





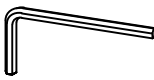

<b>G</b>  <b>x1</b> <b>Seat Frame</b>	<b>B</b>  <b>x1</b> <b>Backrest</b>	<b>C</b>  <b>x1</b> <b>Seat Cushion</b>	<b>D</b>  <b>x1</b> <b>Back Cushion</b>
<b>E</b>  <b>Ottoman Seat Frame</b>	<b>F</b>  <b>Ottoman Seat Cushion</b>		



## Parts list (Carton C)

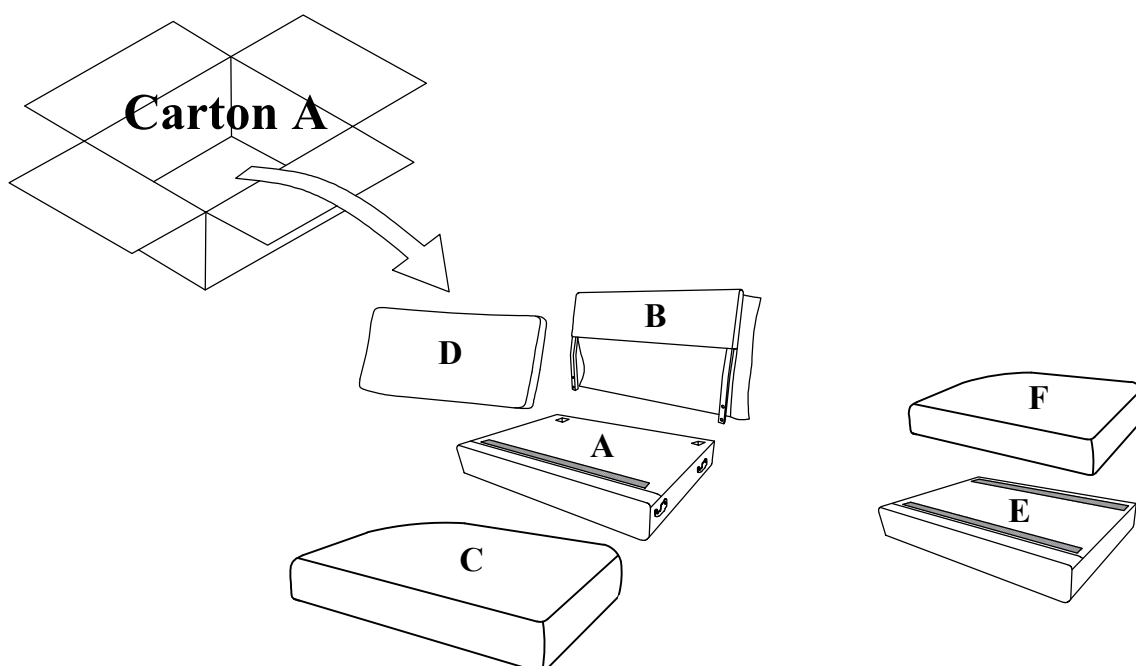
<b>H</b>  <b>Seat Frame</b>	<b>K</b>  <b>Backrest</b>	<b>L</b>  <b>Left arm</b>	<b>M</b>  <b>Right arm</b>
<b>N</b>  <b>Leg</b>			

## Hardware list (Carton C)

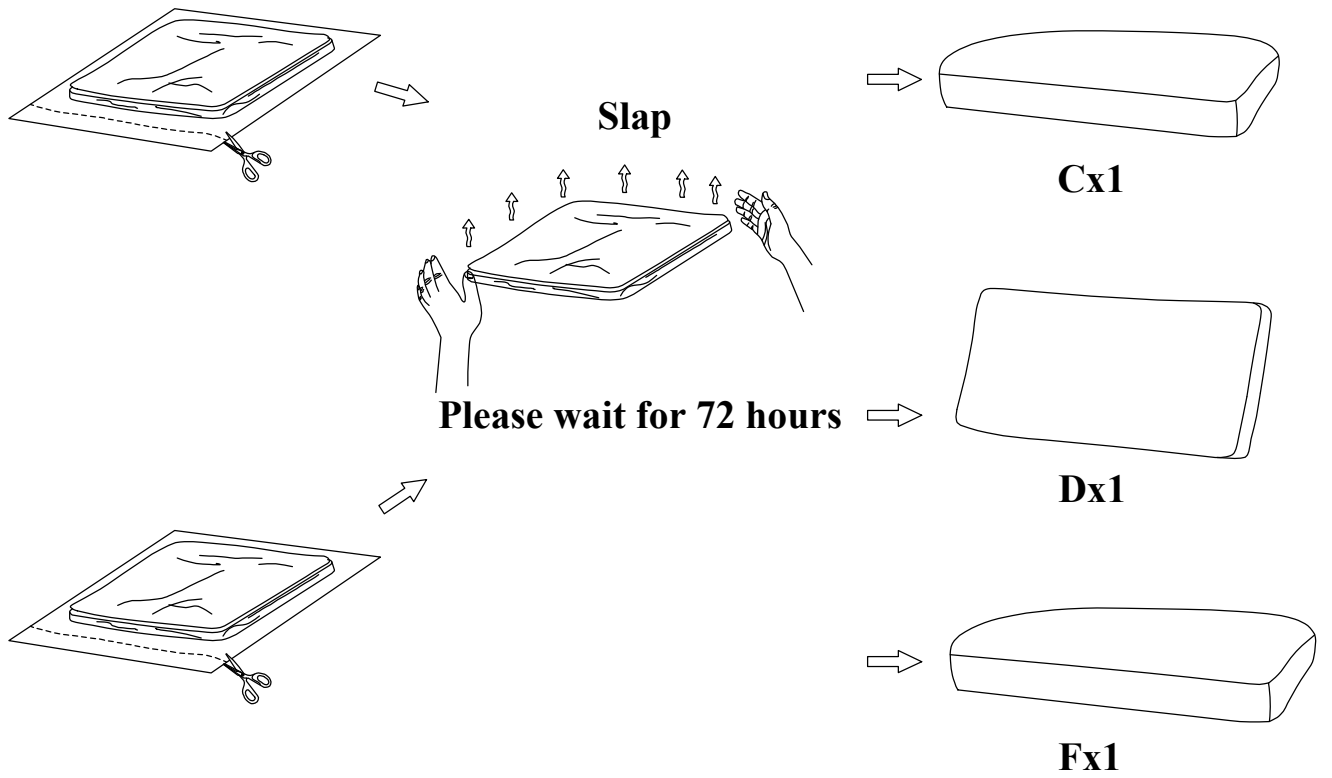
<b>1</b>  <b>Bolt</b> 5/16" x 1.9"	<b>2</b>  <b>Bolt</b> 5/16" x 1.6"	<b>3</b>  <b>Spring Washer</b>	<b>4</b>  <b>Flat Washer</b>
<b>5</b>  <b>Allen Key</b>	<b>6</b>  <b>Metal pad</b>		

**Unpackaging. Remove the cushions from the vacuum-sealed packaging**

**Step 1:**

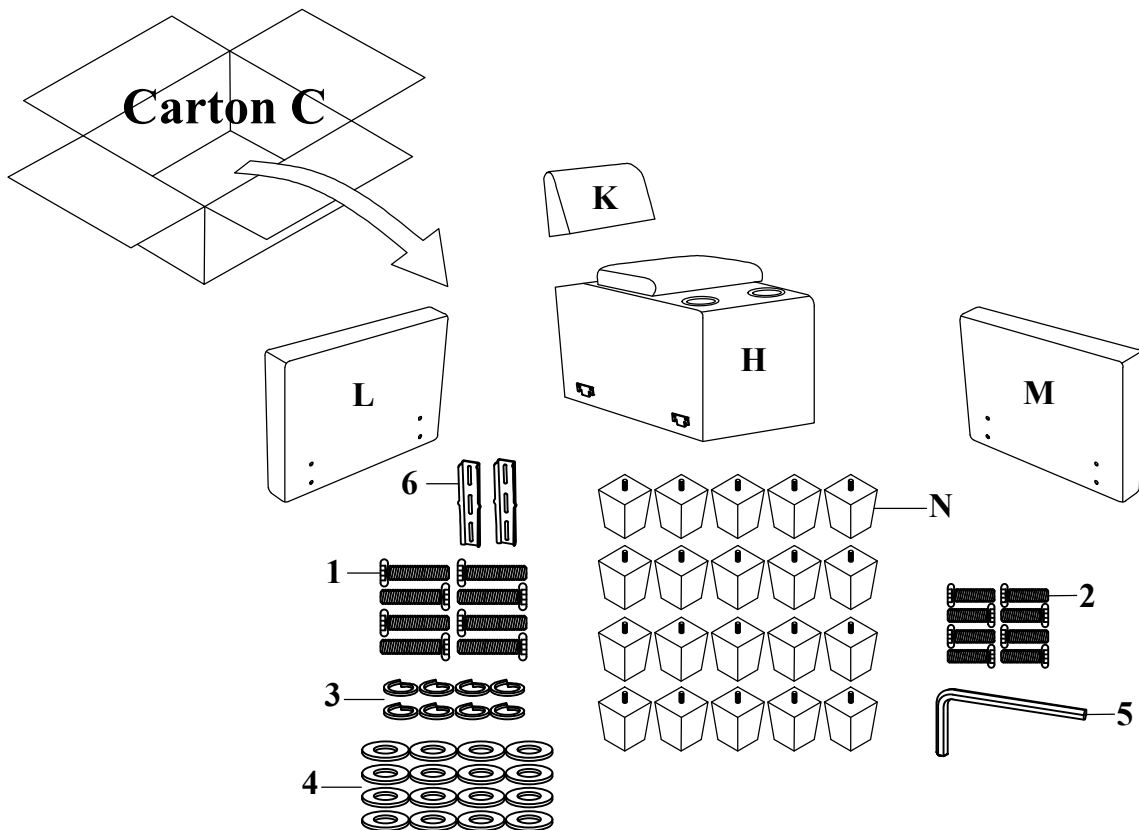


## Step 2:

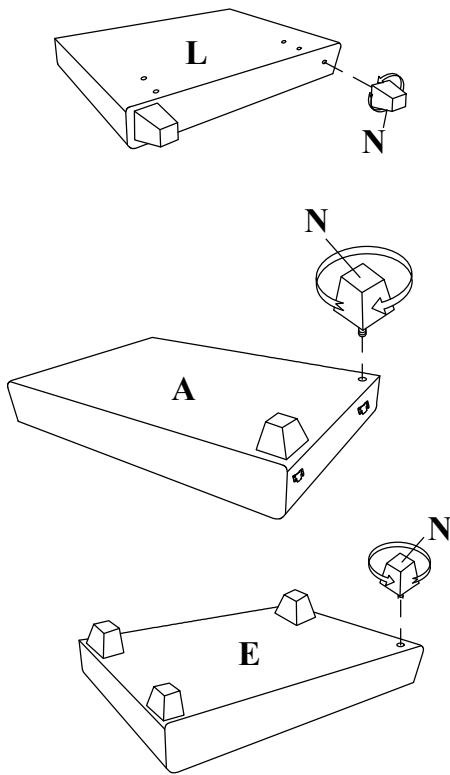


## Carton C

### Step 3:

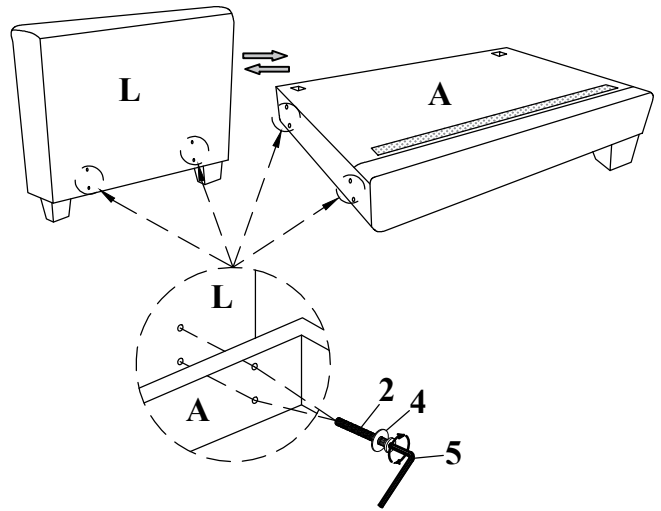


### Step 3:



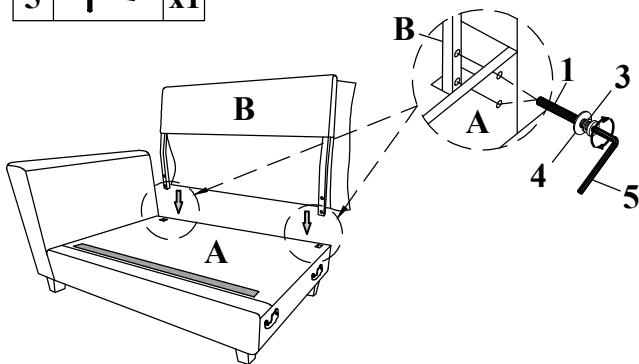
### Step 4:

2		x4
4		x4
5		x1

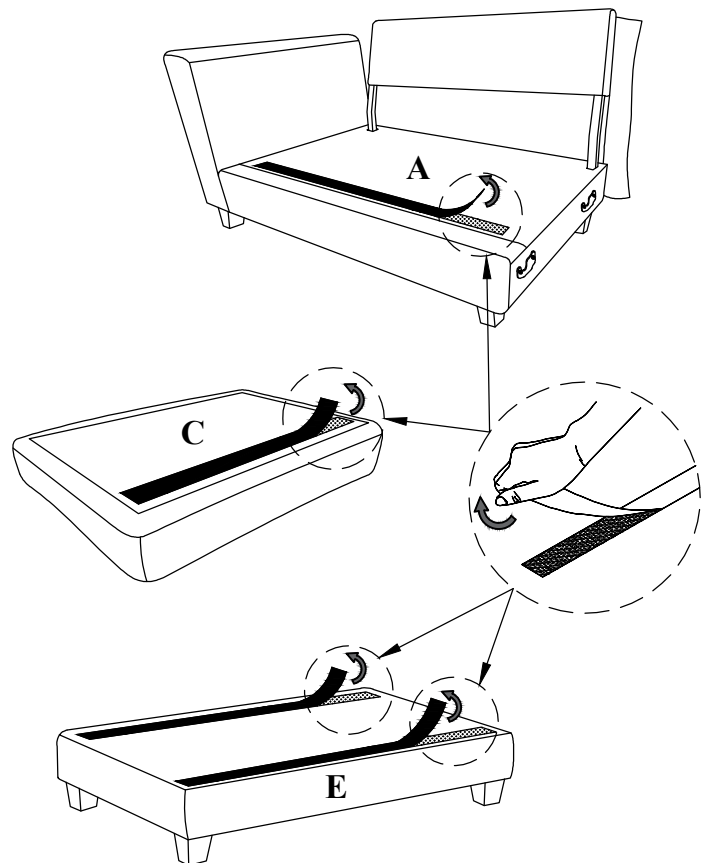


### Step 7:

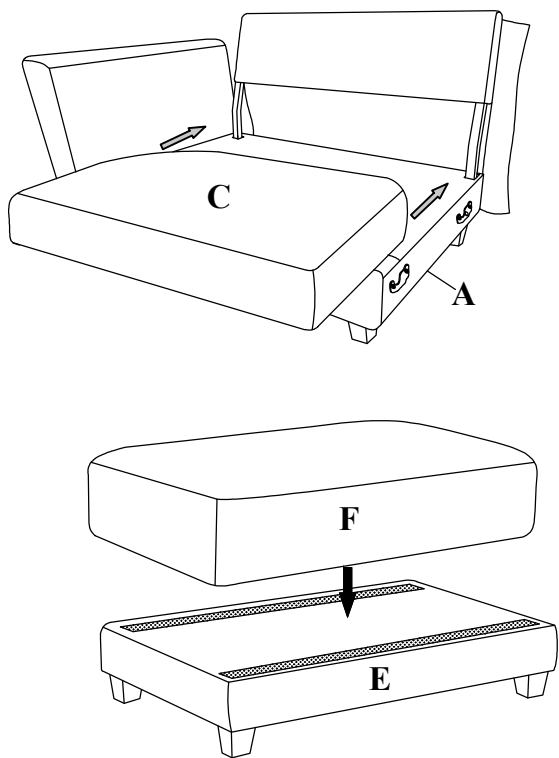
1		x4
3		x4
4		x4
5		x1



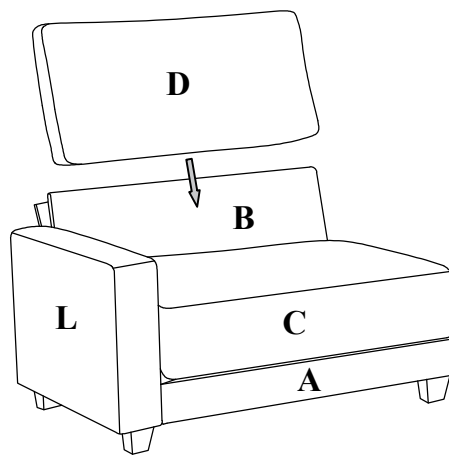
### Step 8: Unfasten the Velcro



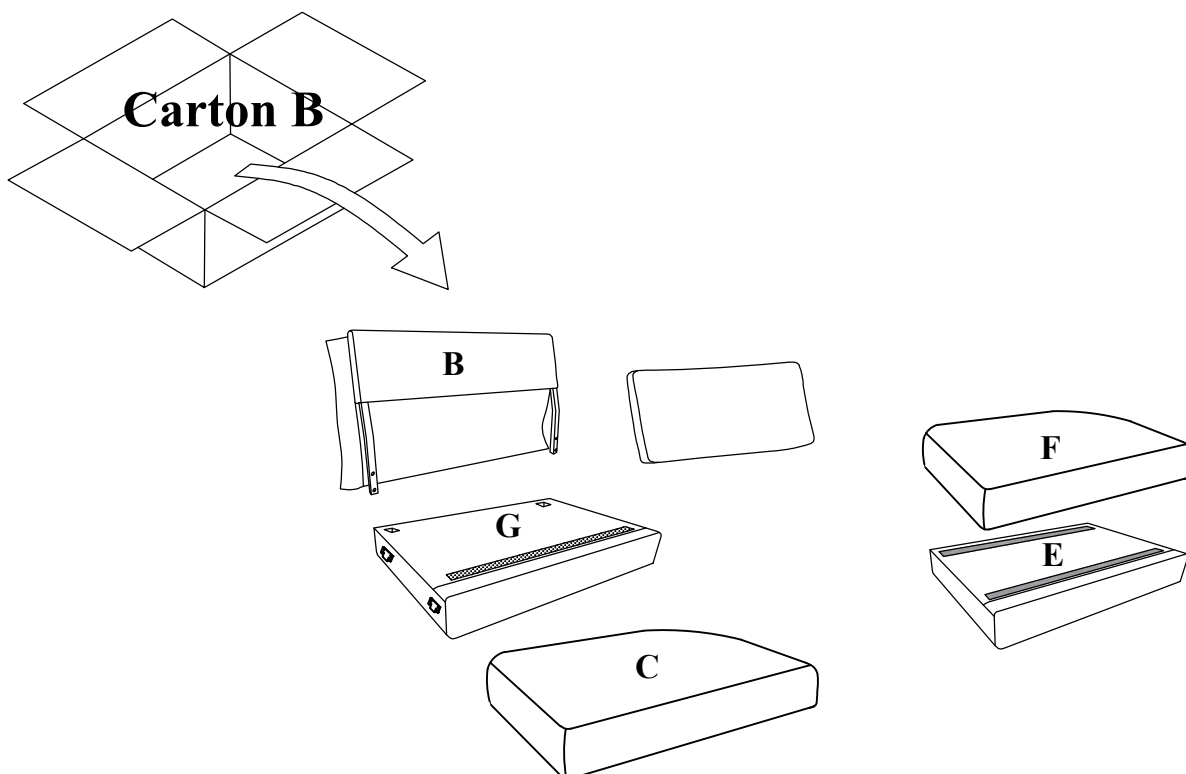
### Step 9:



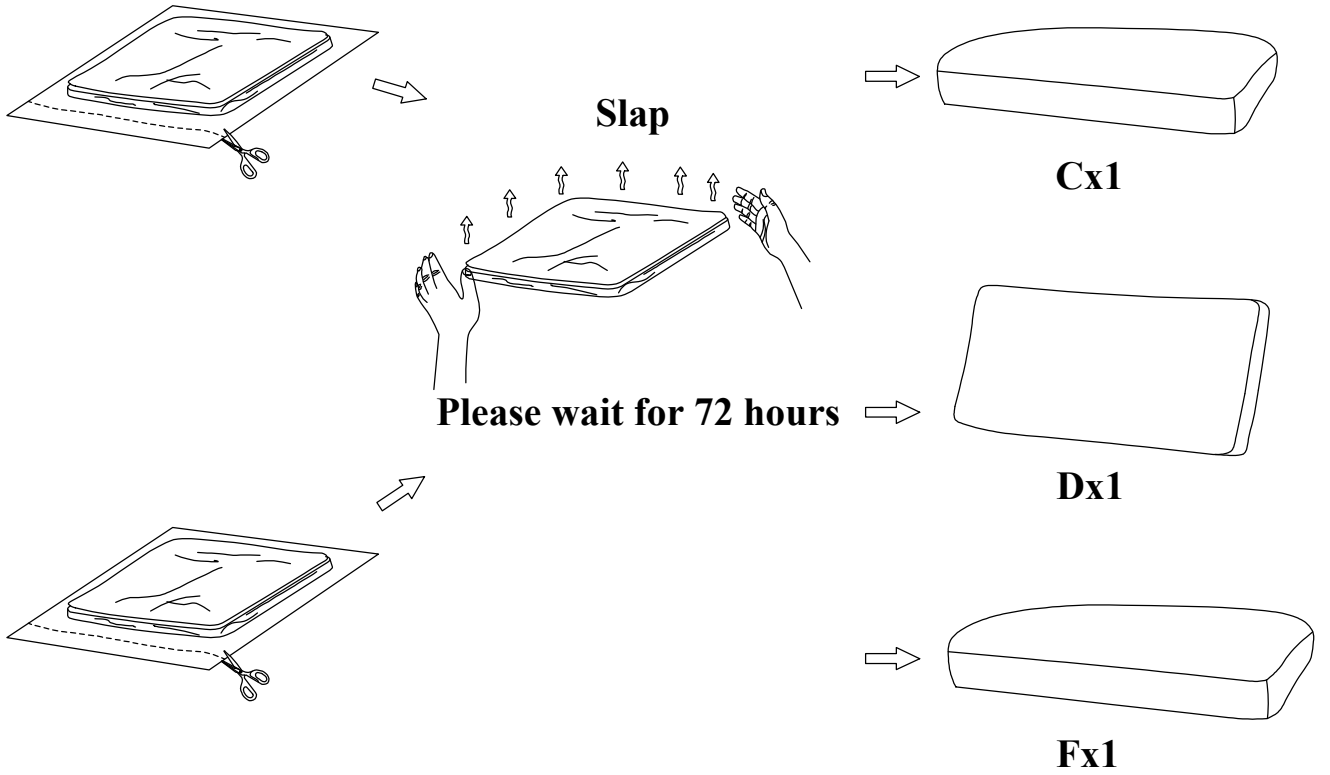
### Step 10:



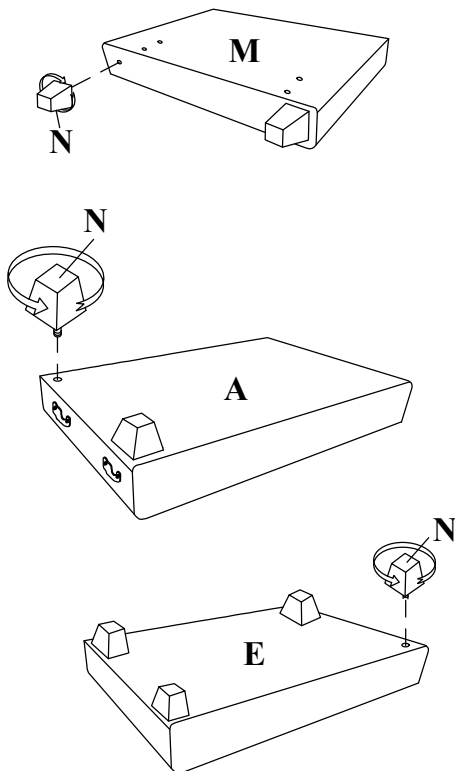
### Step 11:



## Step 12:

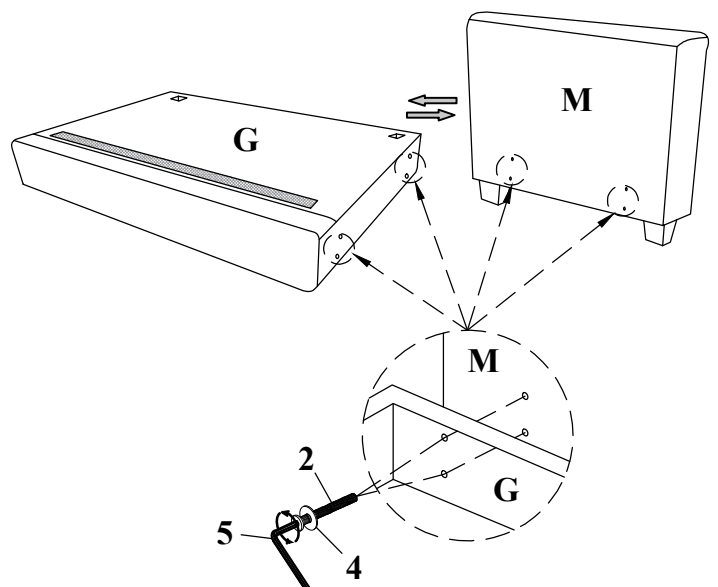


## Step 13:







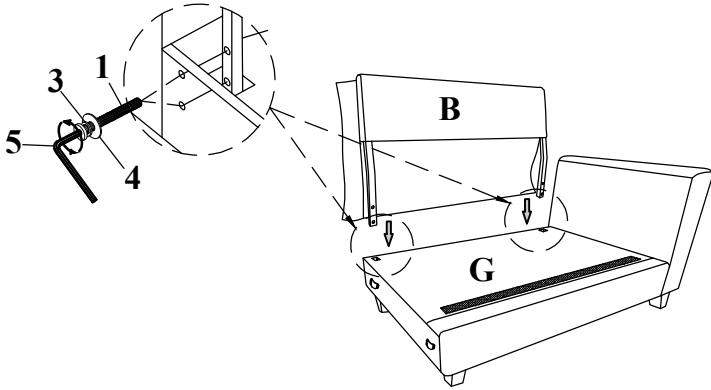
## Step 14:

2		x4
4		x4
5		x1

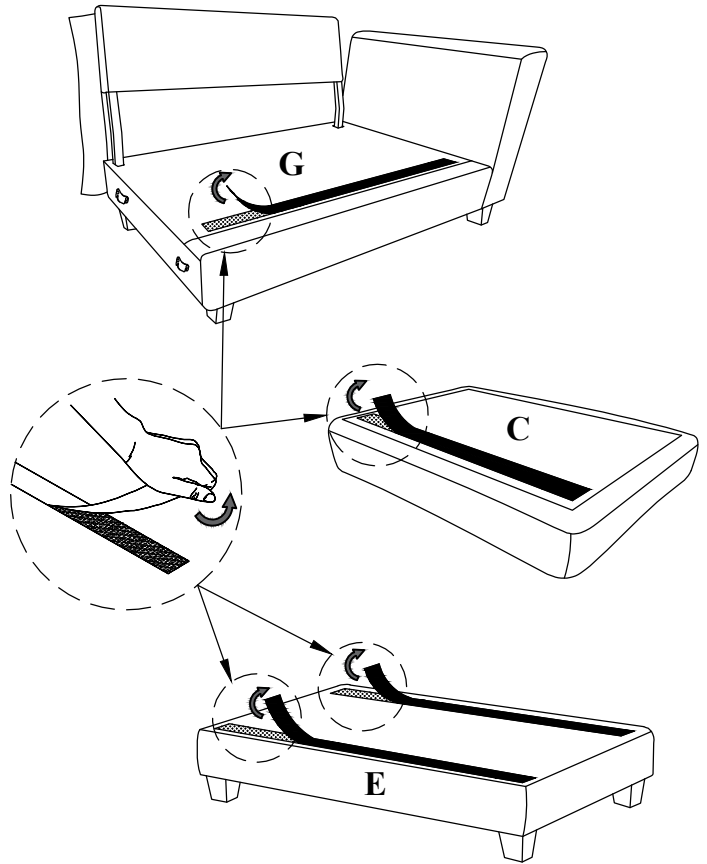


### Step 15:

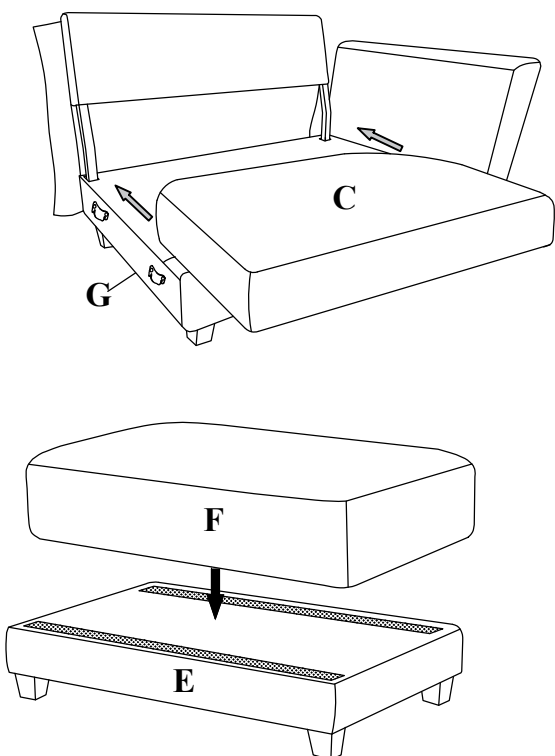
1		x4
3		x4
4		x4
5		x1



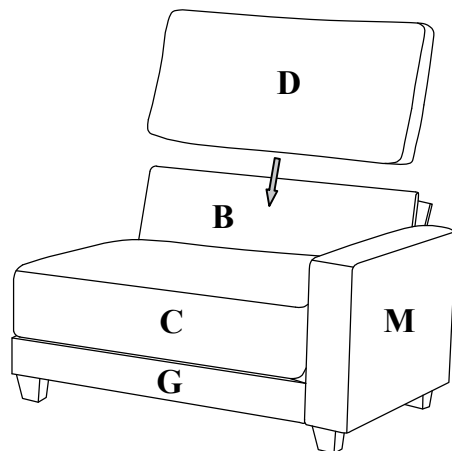
### Step 16: Unfasten the Velcro



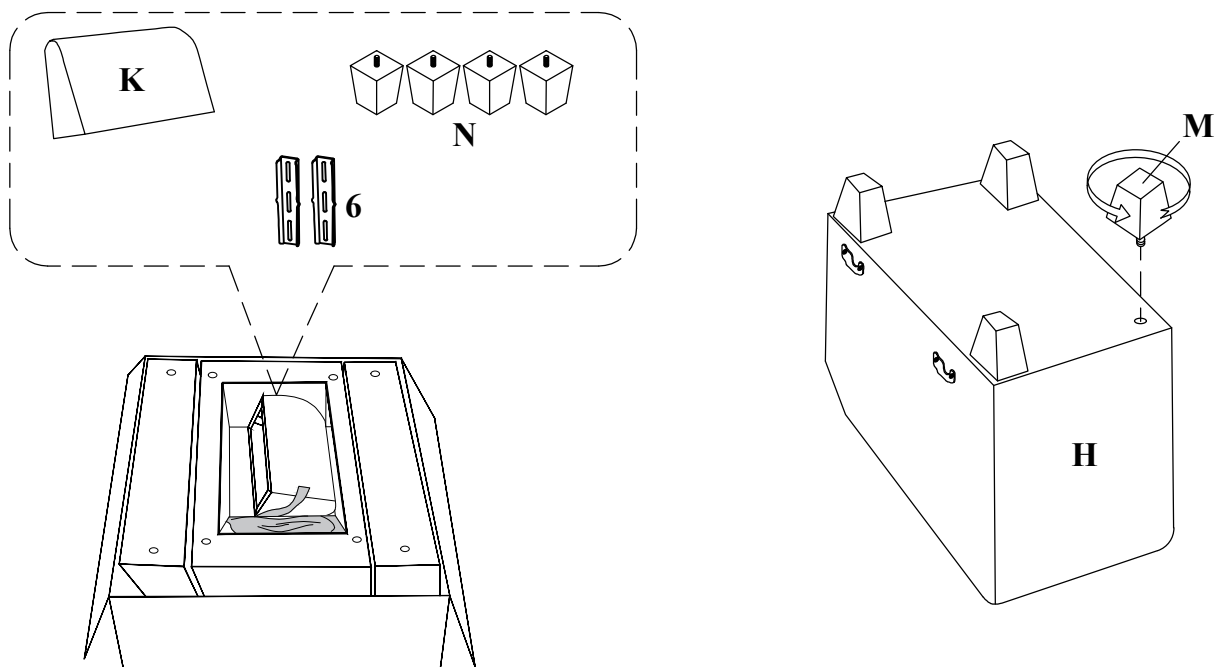
### Step 17:



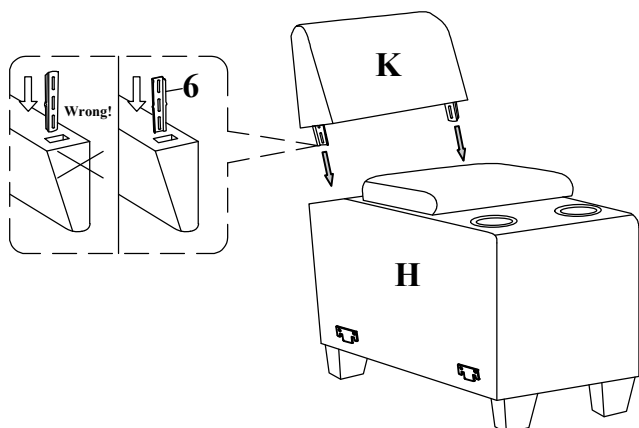
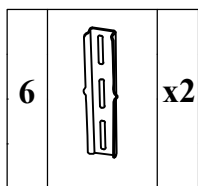
### Step 18:



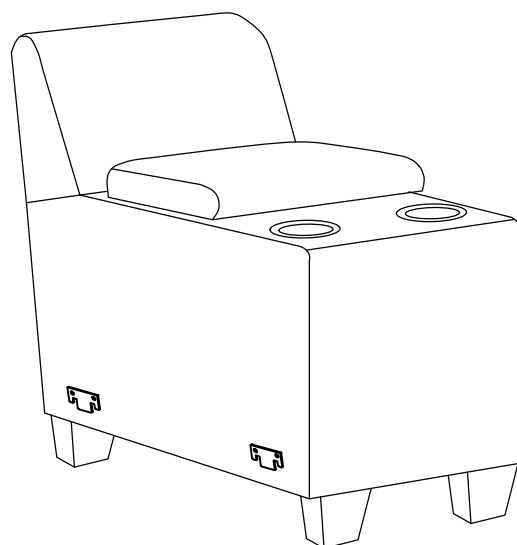
## Step 19:



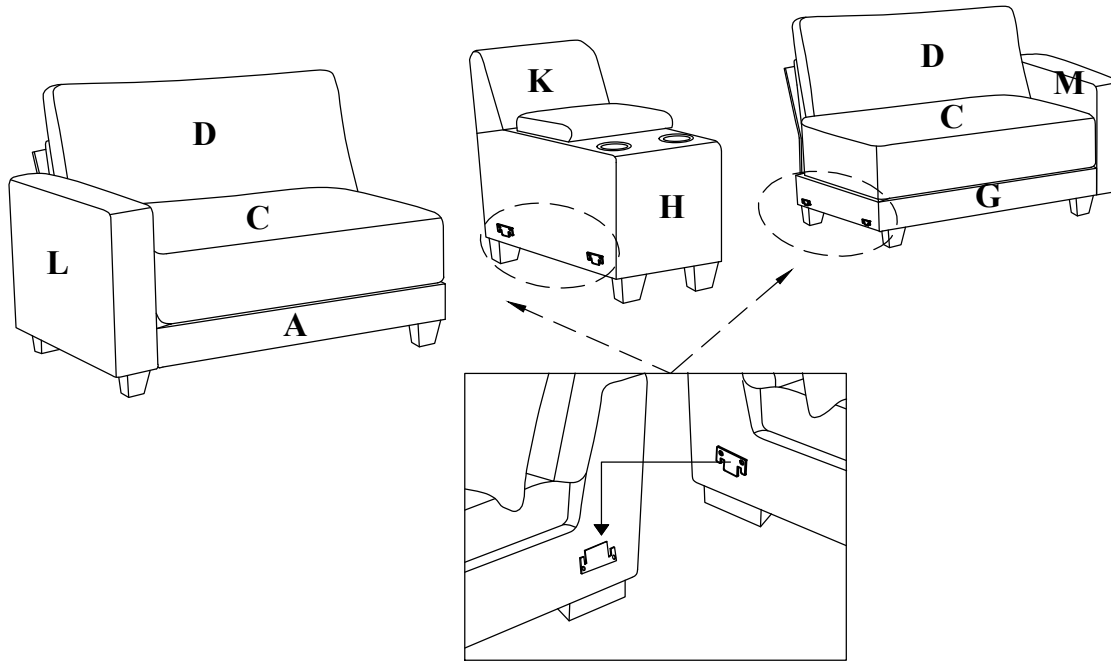
## Step 20:



## Step 21:

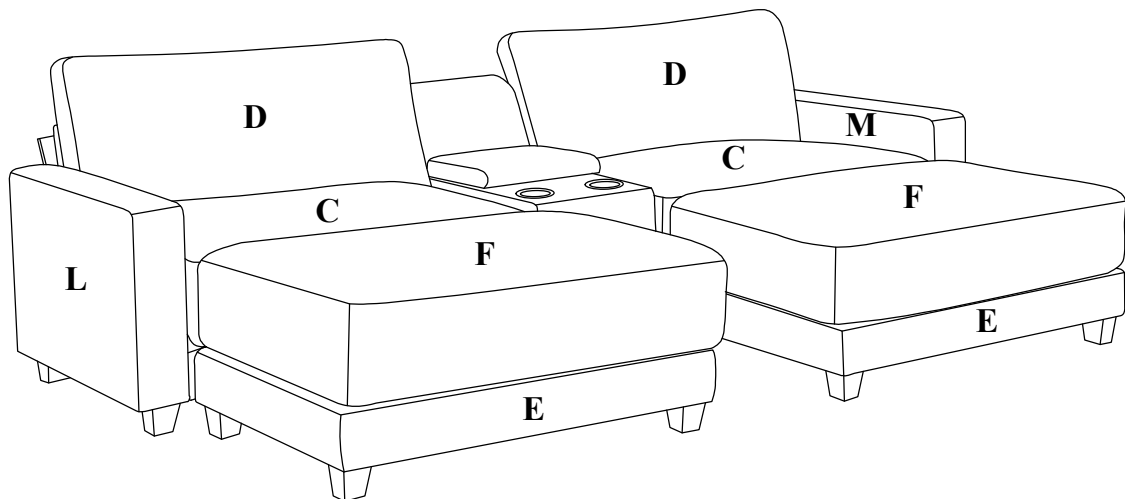


**Step 22:**



---

**Step 23:**



## **Warnings**

- 1. Please check if the components of the sofa are all included and can be used normally.**
- 2. Assemble all components according to the instruction correctly before you use the sofa.**
- 3. Please DO NOT sit on the armrests to eliminate the risk of tipping over.**
- 4. If the sofa is damaged or doesn't match the website description, please send clear pictures of the product and label of the carton to our service team for further help.**