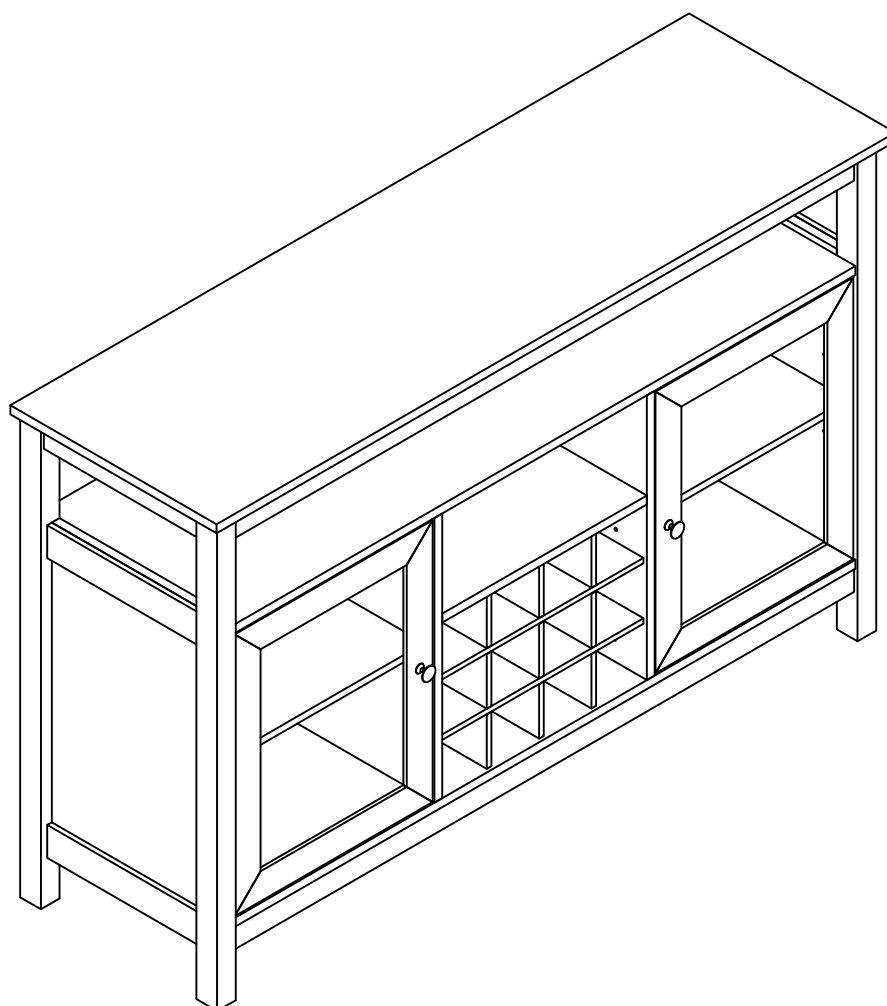
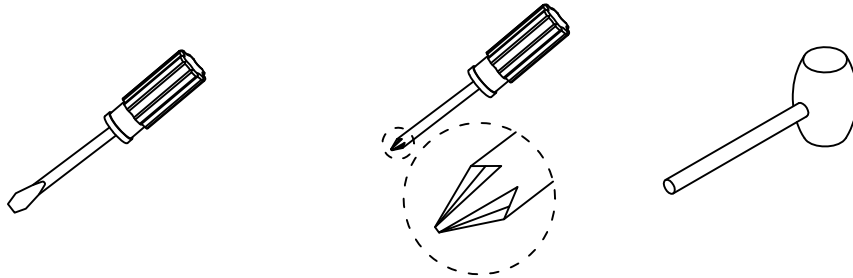


ASSEMBLY INSTRUCTIONS

Sideboard cabinet

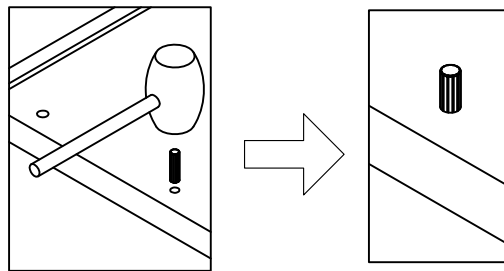


ASSEMBLY TOOLS REQUIRED (NOT INCLUDED)

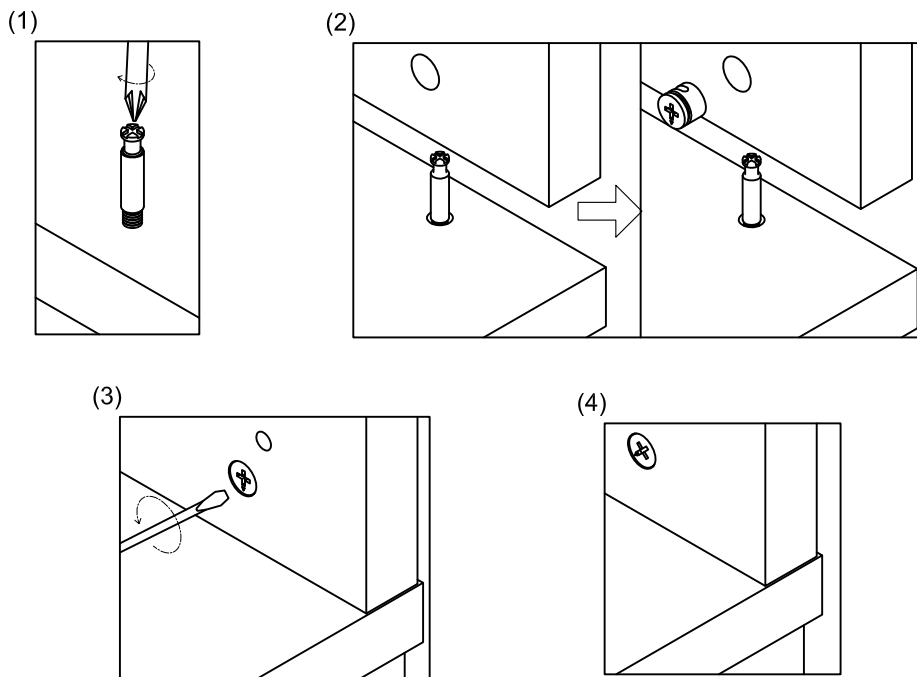


WOODEN DOWEL INSTALLATION PROCEDURE

Gently tap dowel into hole with rubber mallet

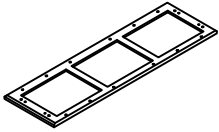
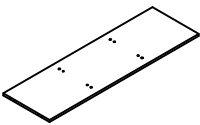
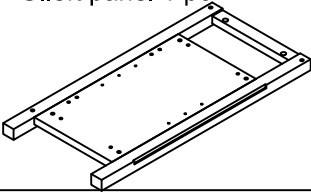
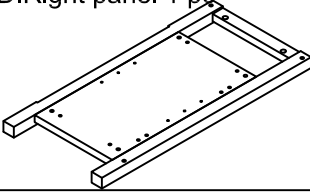
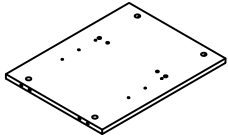
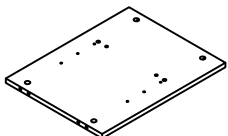
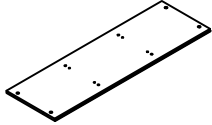
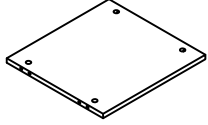
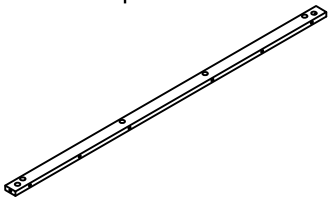
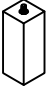
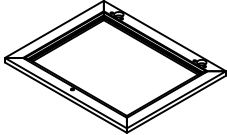
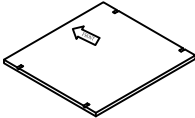
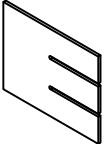
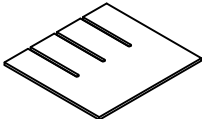
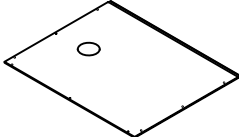
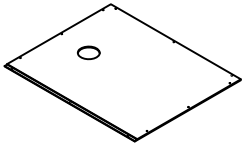
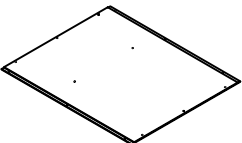


HIDDEN CONNECTOR.....ASSEMBLY TECHNIQUES








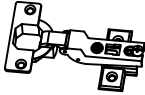
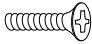
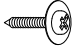


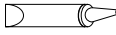
PARTS LIST

A Carton part list


<p>A:Top panel 1 pc</p> 	<p>B:Bottom panel 1 pc</p> 	<p>C:left panel 1 pc</p> 	<p>D:Right panel 1 pc</p> 
<p>E: Left partition1 pc</p> 	<p>F: Right Partition 1 pc</p> 	<p>G:Mid shelf 1 pc</p> 	<p>H: Shelf 1 pc</p> 
<p>I: Rall 3 pc</p> 	<p>J:Leg 1 pcs</p> 	<p>K:Door 2 pc</p> 	<p>L: Shelf 2 pc</p> 
<p>M: Wine lattices panl 3 pc</p> 	<p>N: Wine lattices panl 2 pc</p> 	<p>O: Left Back panel 1 pc</p> 	<p>P: Right Back panel 1 pc</p> 
<p>Q:Mid Back panel 1 pc</p> 	<p>HARDWARE PKG 1 pc IA 1 pc</p>		

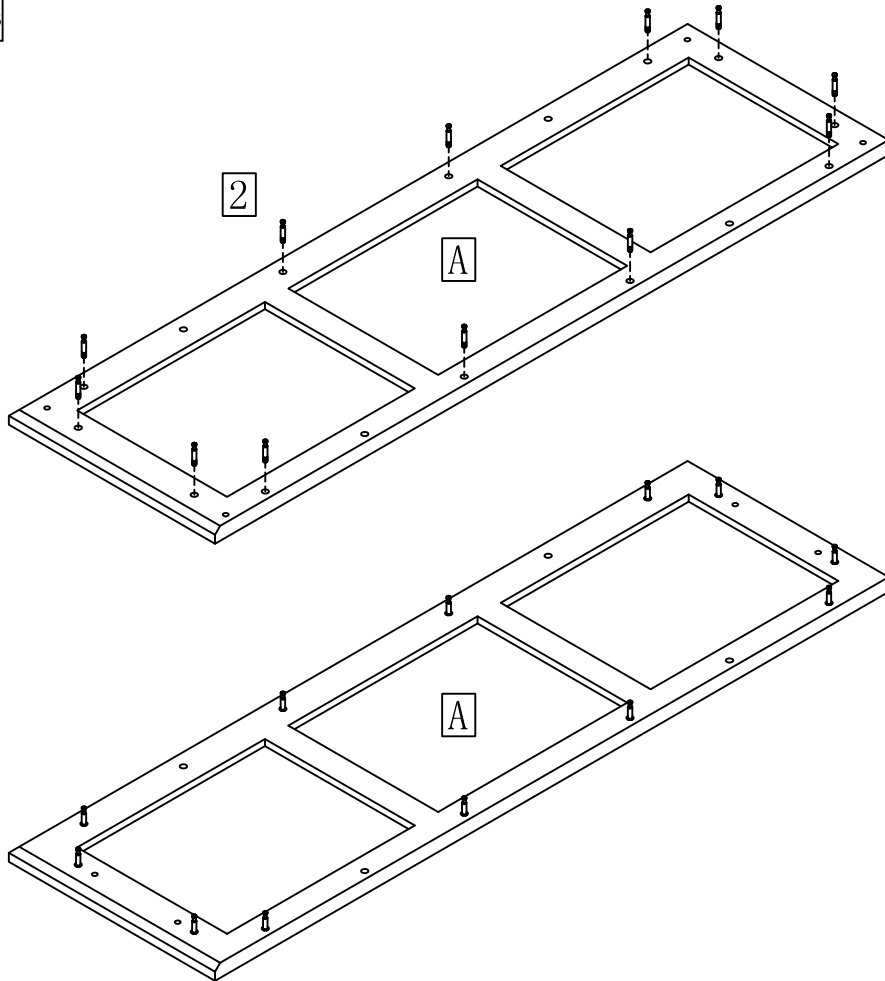
PARTS LIST

HARDWARE LIST

<p>1:Cam lock 42 pcs</p>  <p style="text-align: center;">Ø15*10.5</p>	<p>2:Cam bolt 42 pcs</p>  <p style="text-align: center;">Ø6*32</p>	<p>3:Wood plug 30 pcs</p>  <p style="text-align: center;">Ø8*30</p>	<p>4:Pull knob 2 pcs</p> 
<p>5:Screw 2 pcs</p>  <p style="text-align: center;">Ø4x18</p>	<p>6.Hinge 4pcs</p>  <p style="text-align: center;">Ø26</p>	<p>7:Screw 16 pcs</p>  <p style="text-align: center;">Ø4.0x12</p>	<p>8:Wood screw 32 pcs</p>  <p style="text-align: center;">Ø3.0*12</p>
<p>9.Shelf support pin 8 pc</p>  <p style="text-align: center;">Ø8x5x16</p>	<p>10.Sticker 8 pcs</p> 	<p>11.: Glue tube 2 pc</p> 	

Step 1

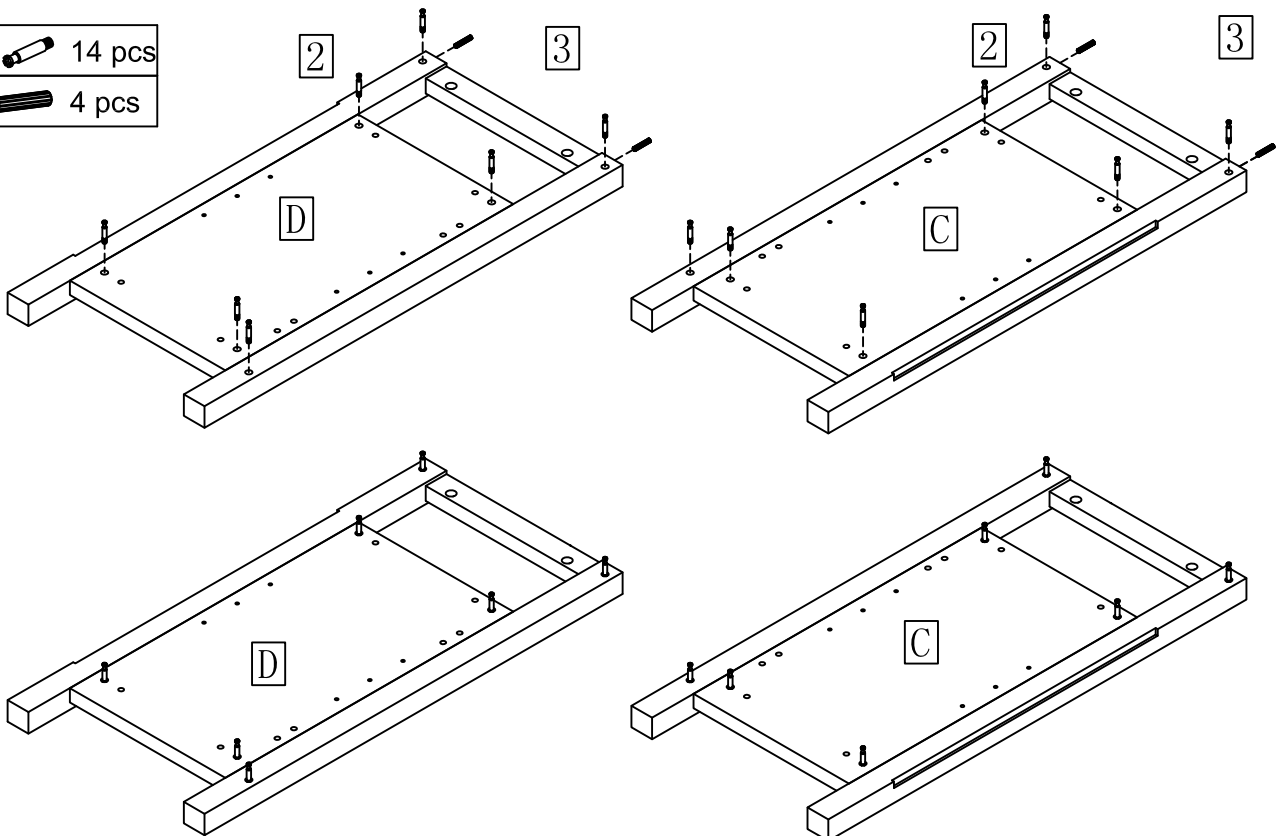
2:  12 pcs





Step 2

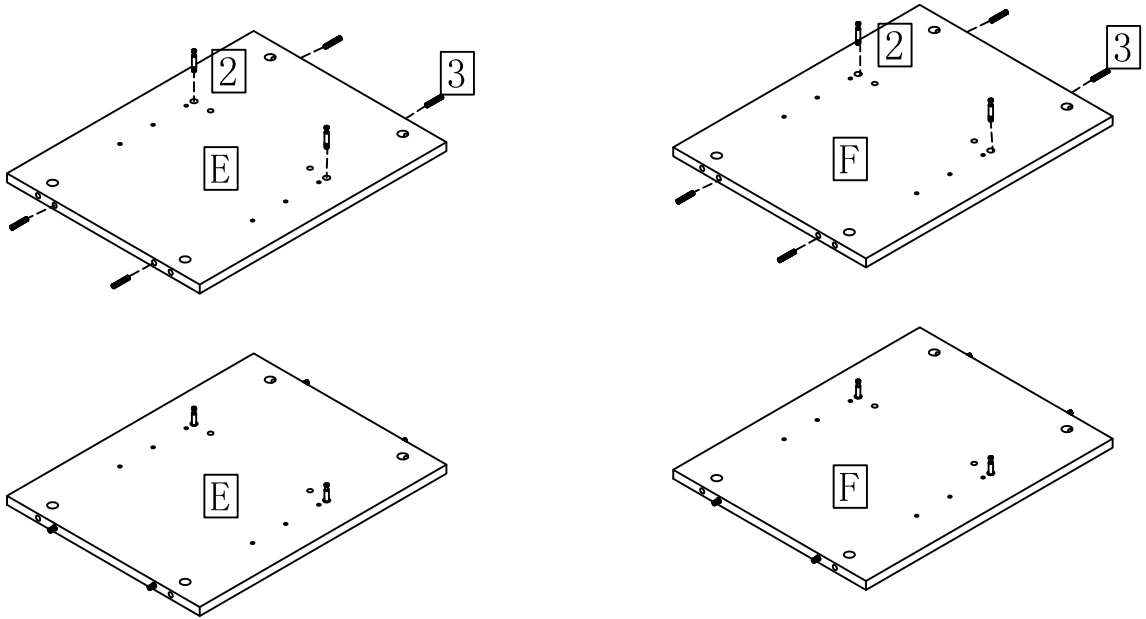
2:  14 pcs

3:  4 pcs





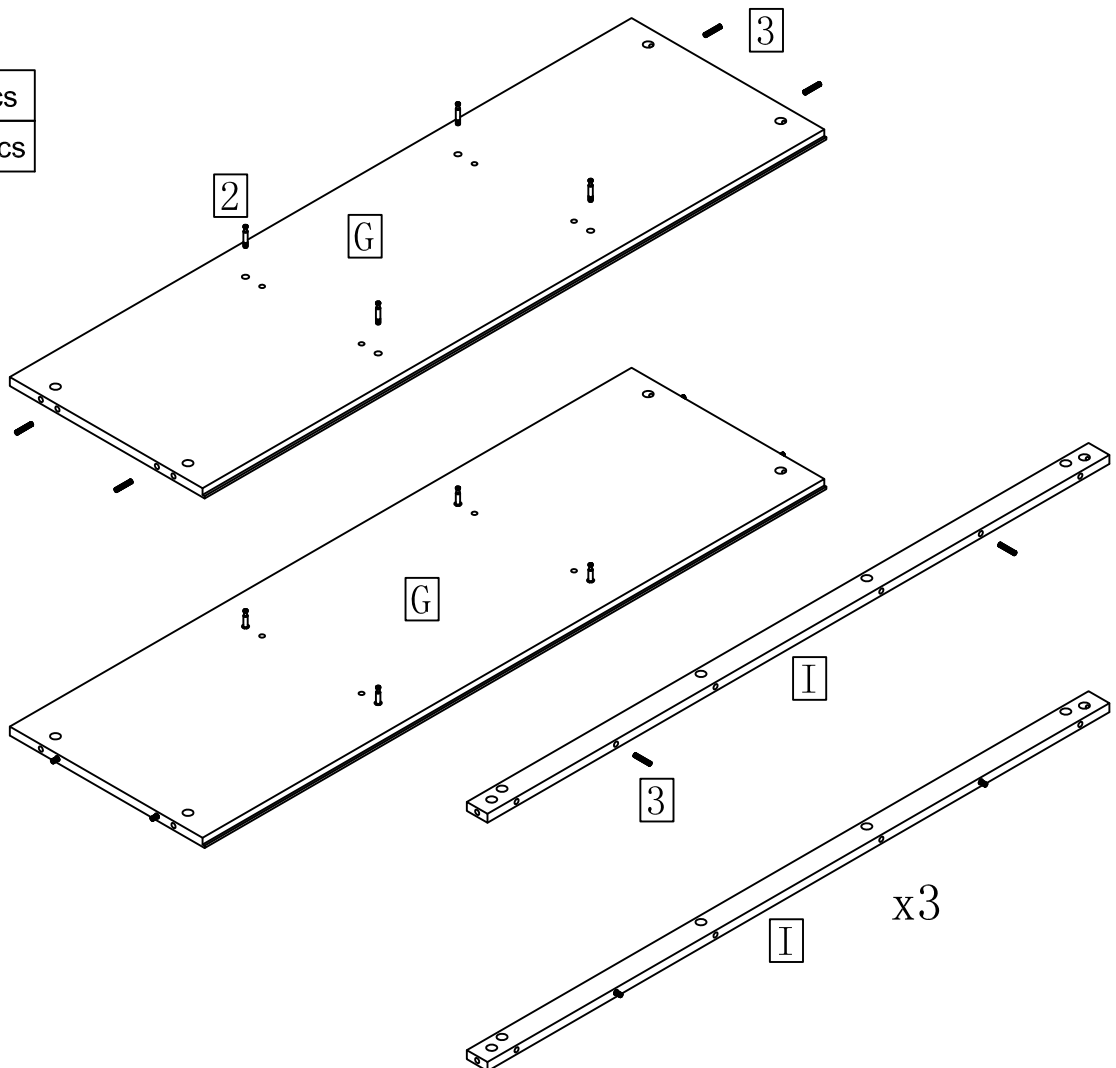
Step 3

- 2:  4 pcs
- 3:  8 pcs





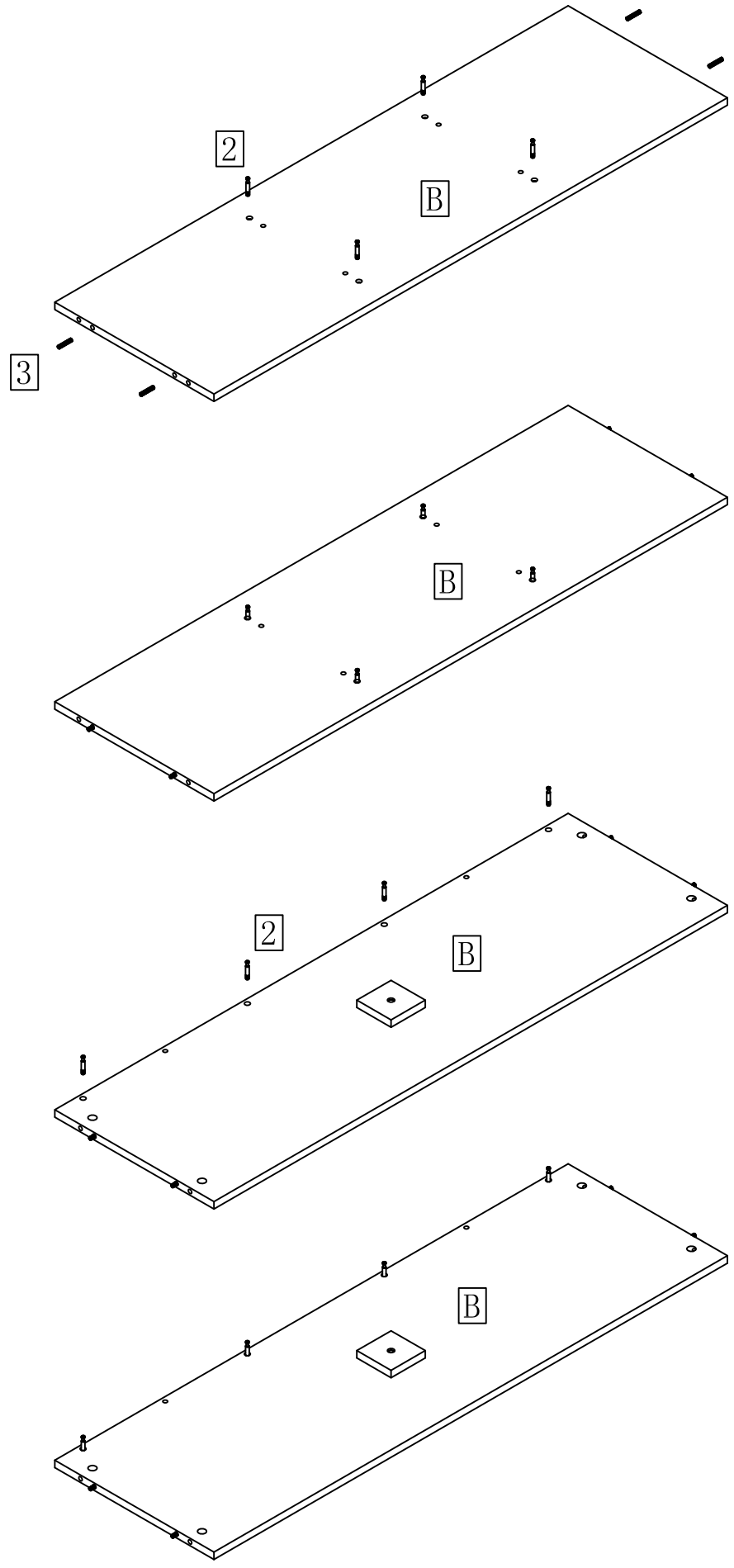
Step 4

- 2:  4 pcs
- 3:  10 pcs








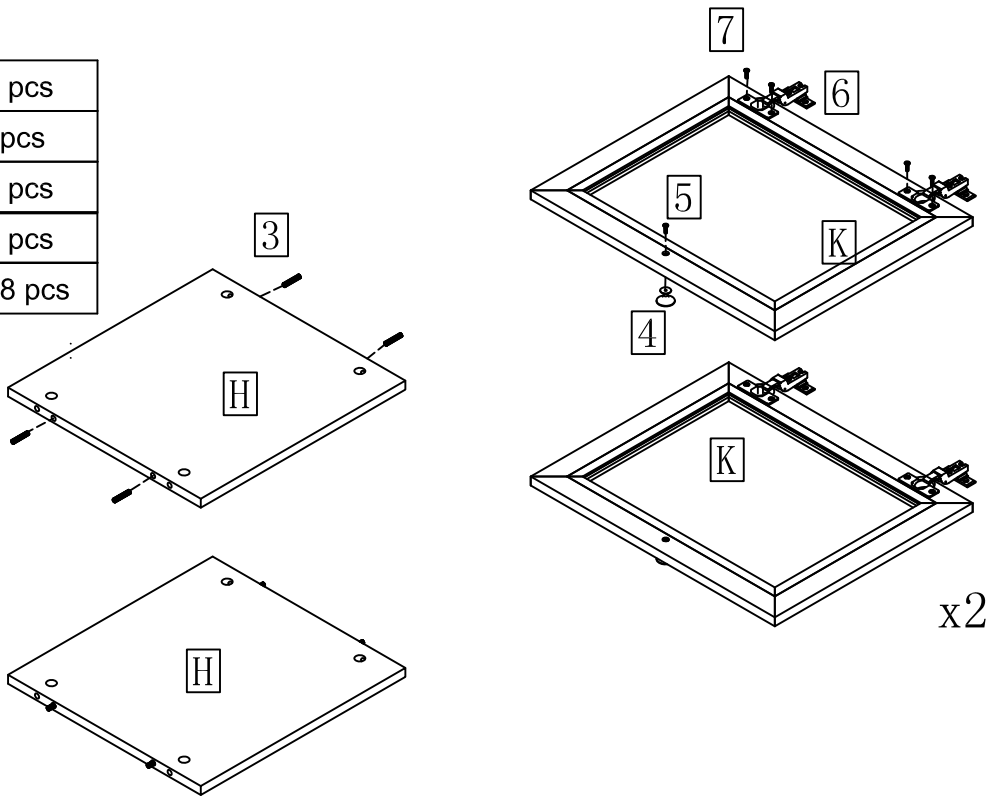
Step 5

- 2:  8 pcs
- 3:  4 pcs

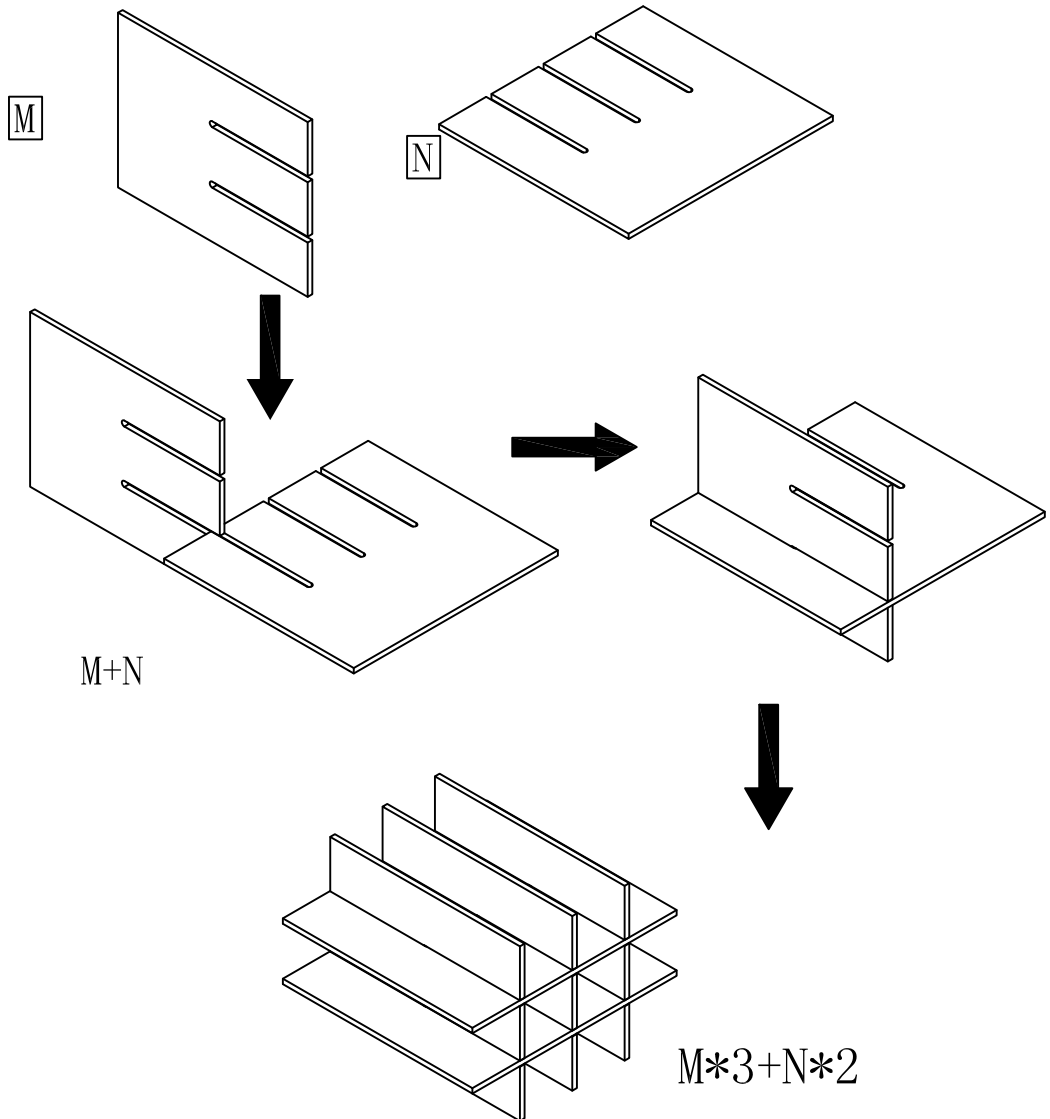


Step 6

- 3:  4 pcs
- 4:  2 pcs
- 5:  2 pcs
- 6:  4 pcs
- 7:  8 pcs

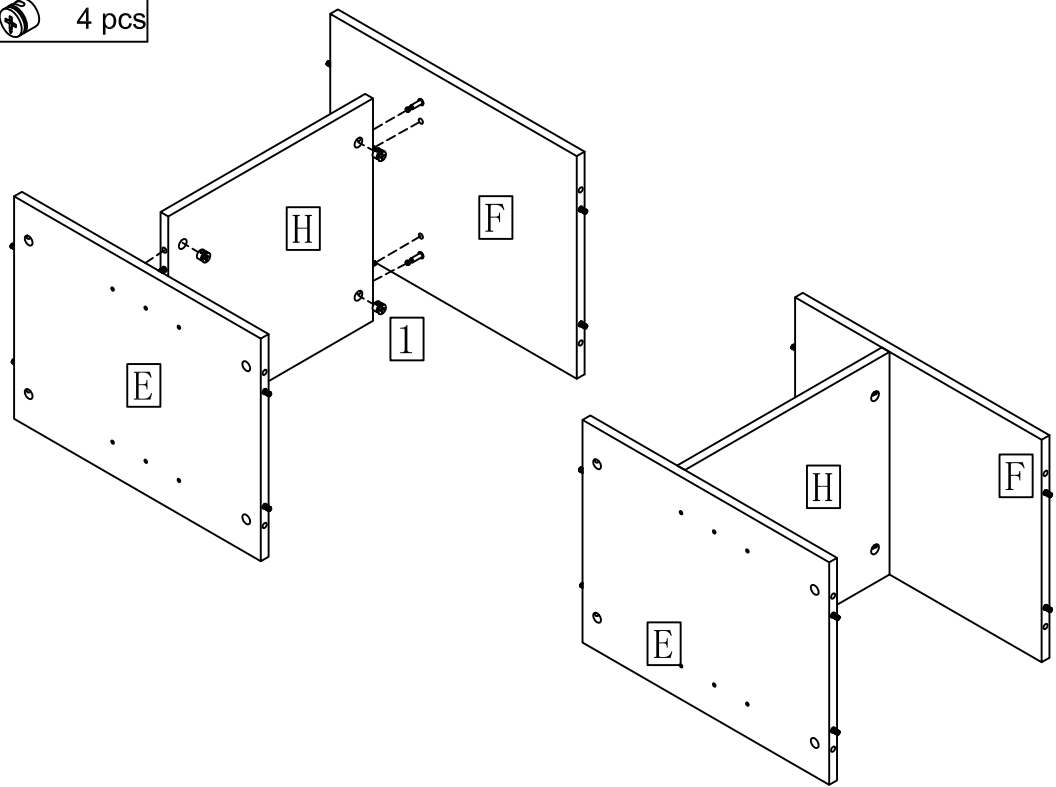


Step 7



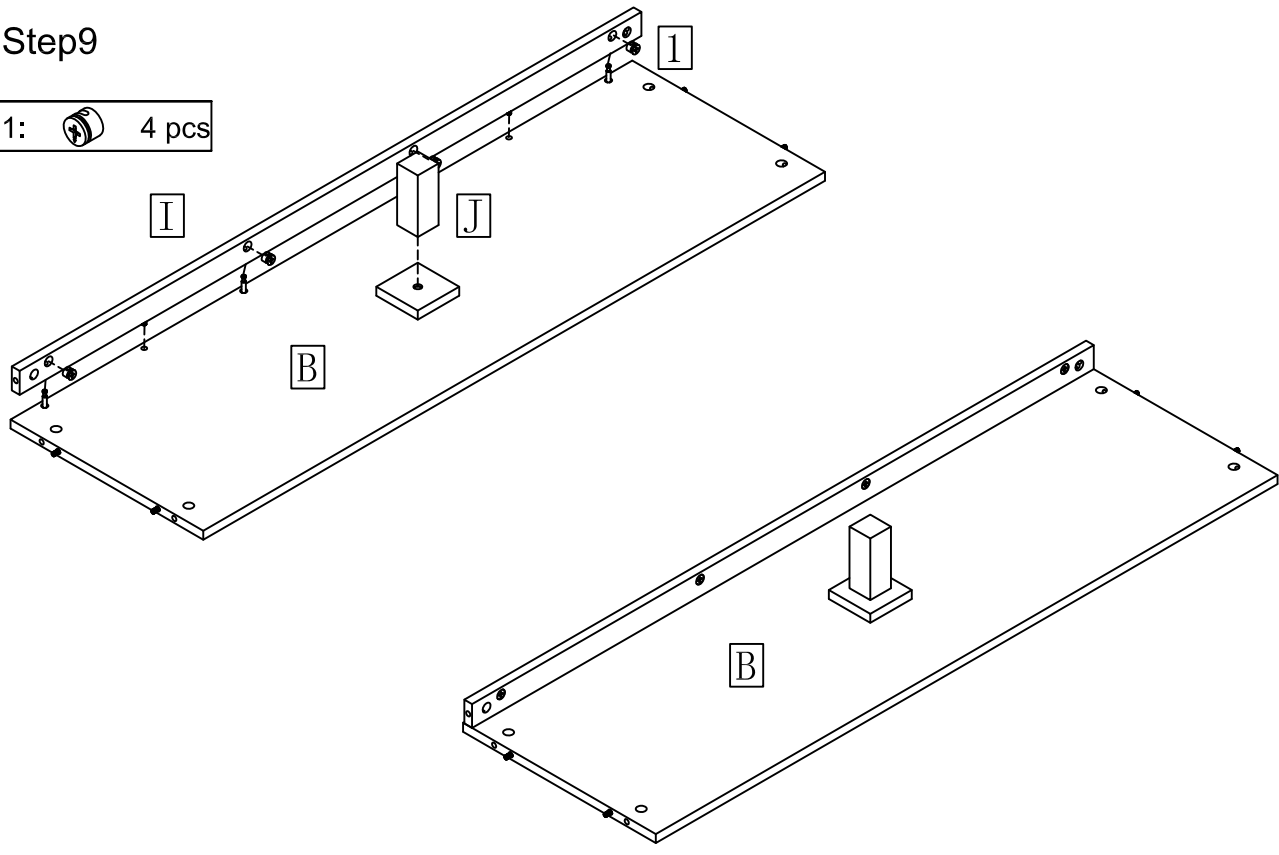
Step8

1:  4 pcs



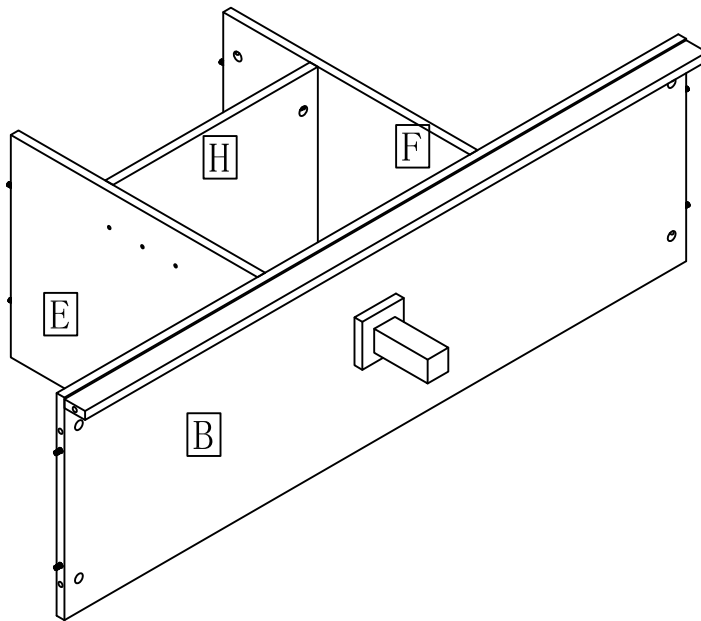
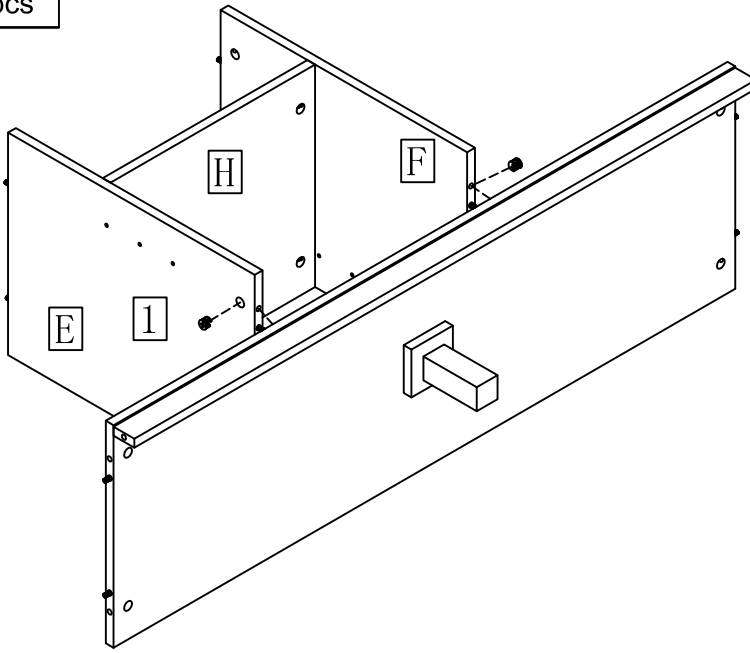
Step9

1:  4 pcs




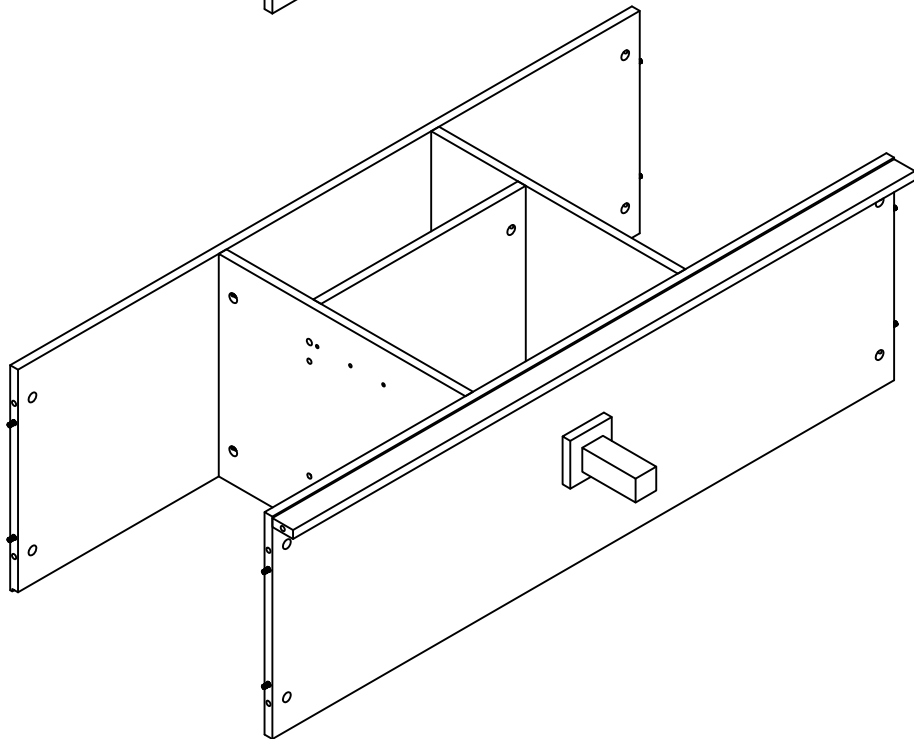
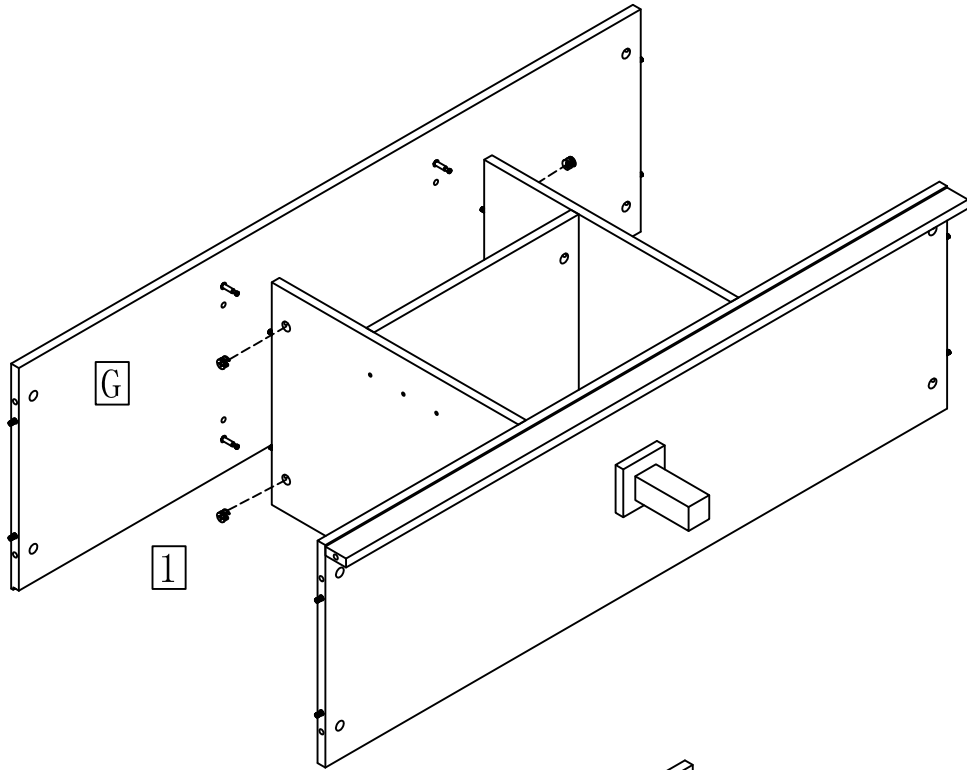
Step 10

1:  4 pcs



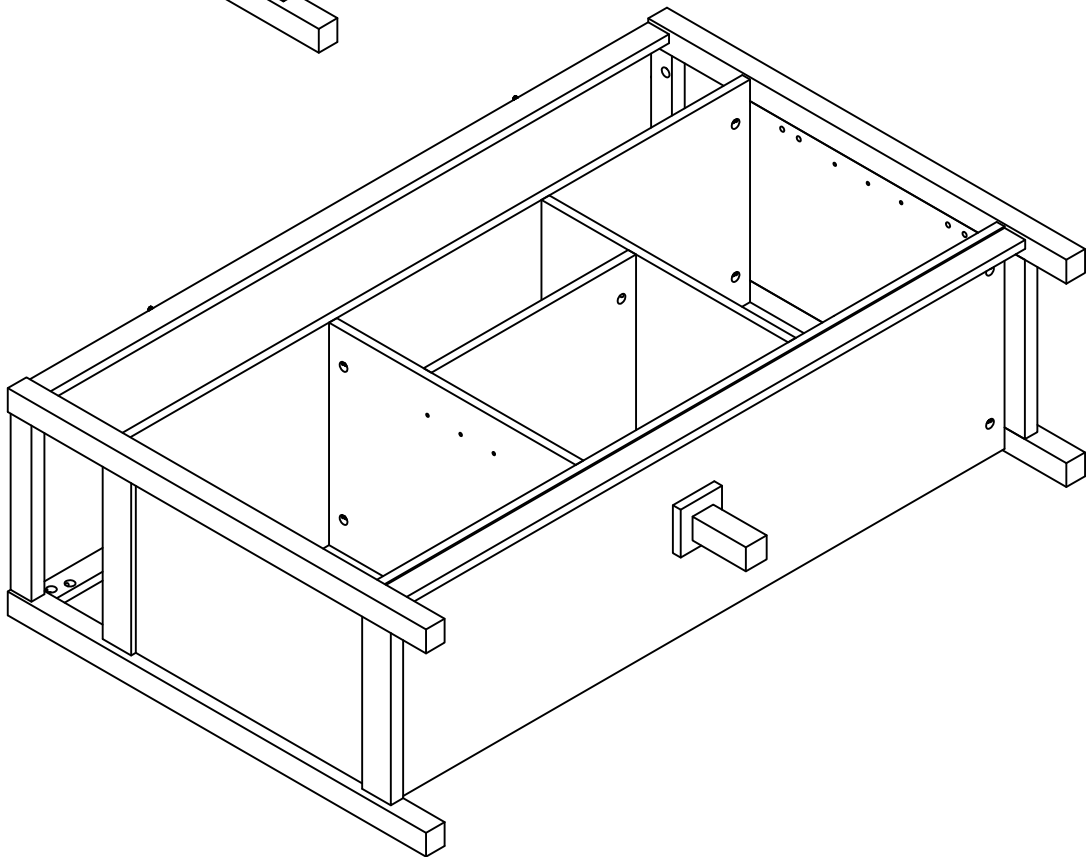
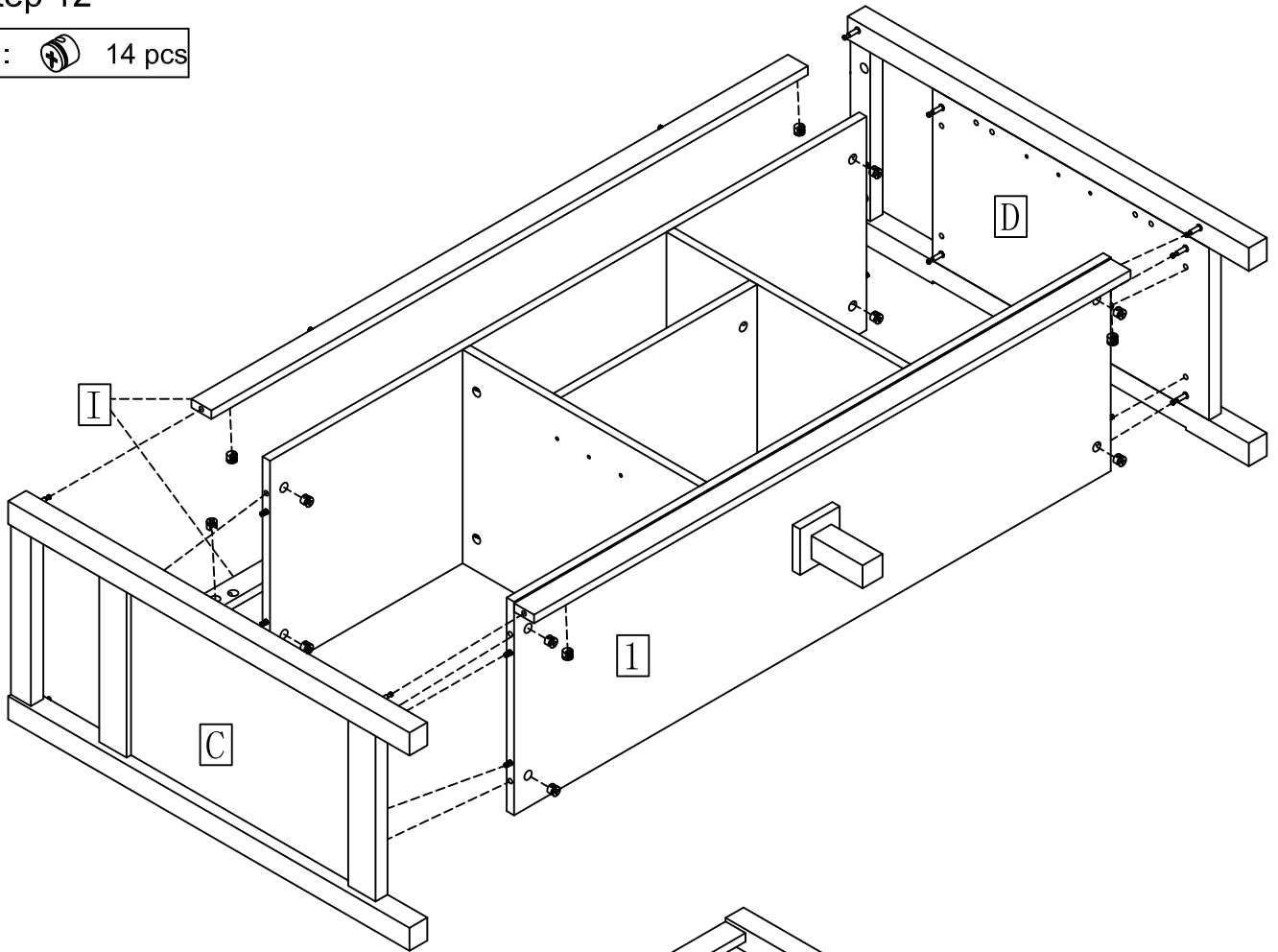
Step 11

1:  4 pcs



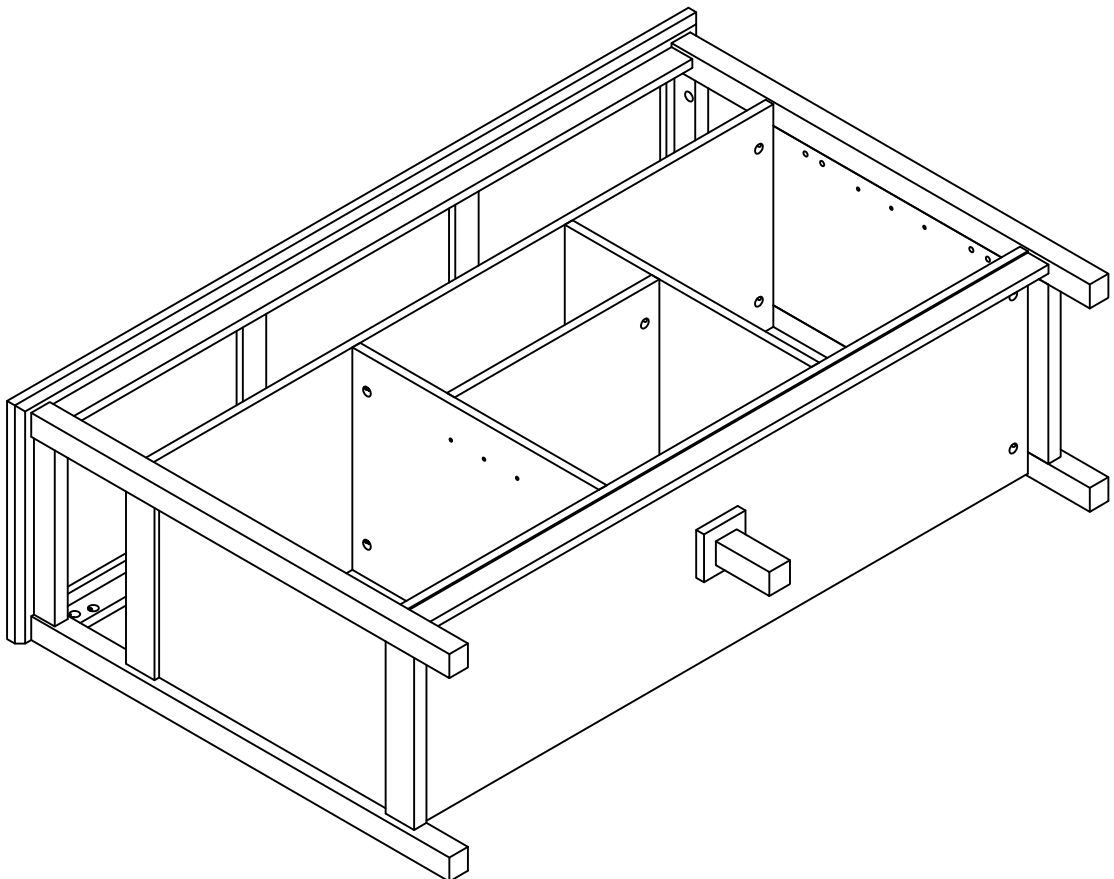
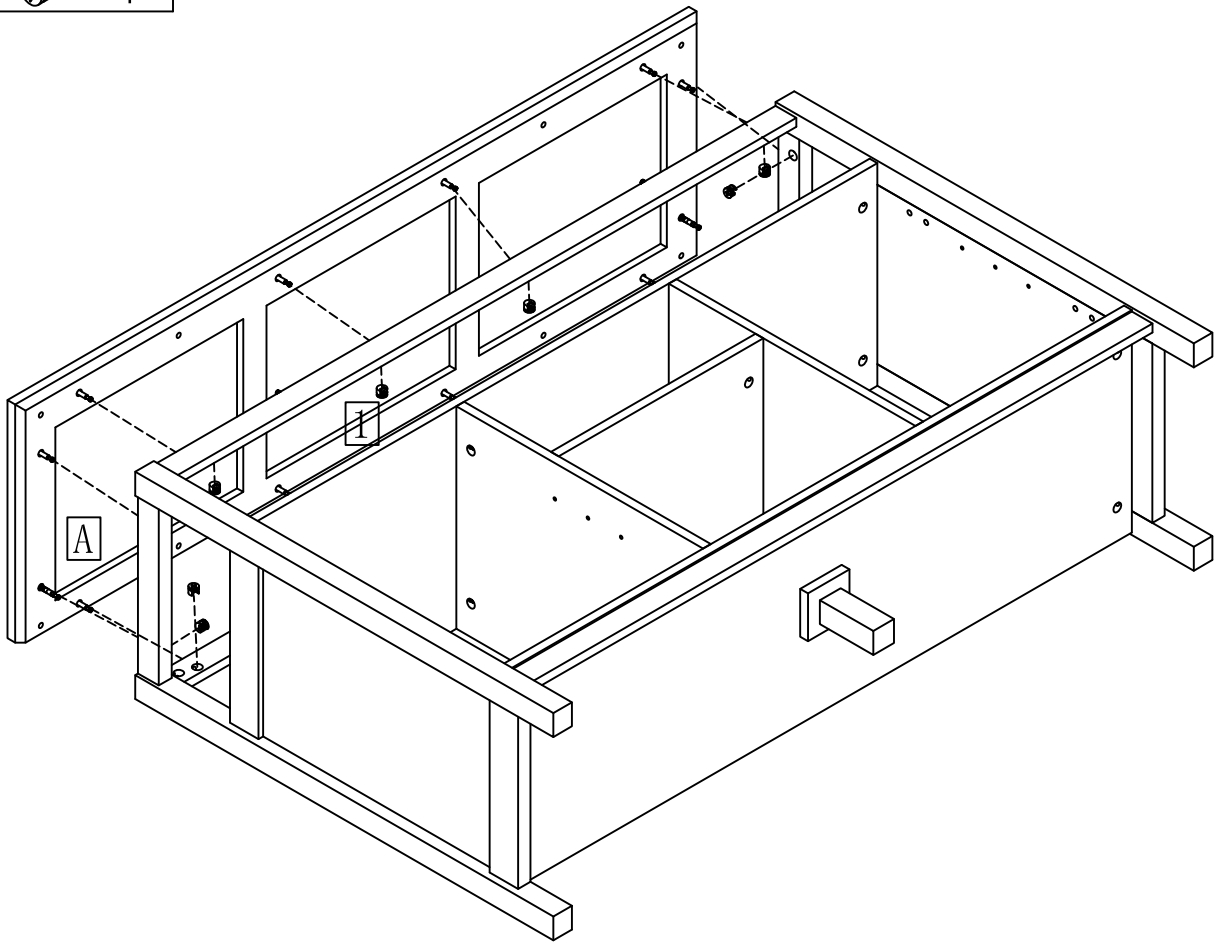
Step 12

1:  14 pcs




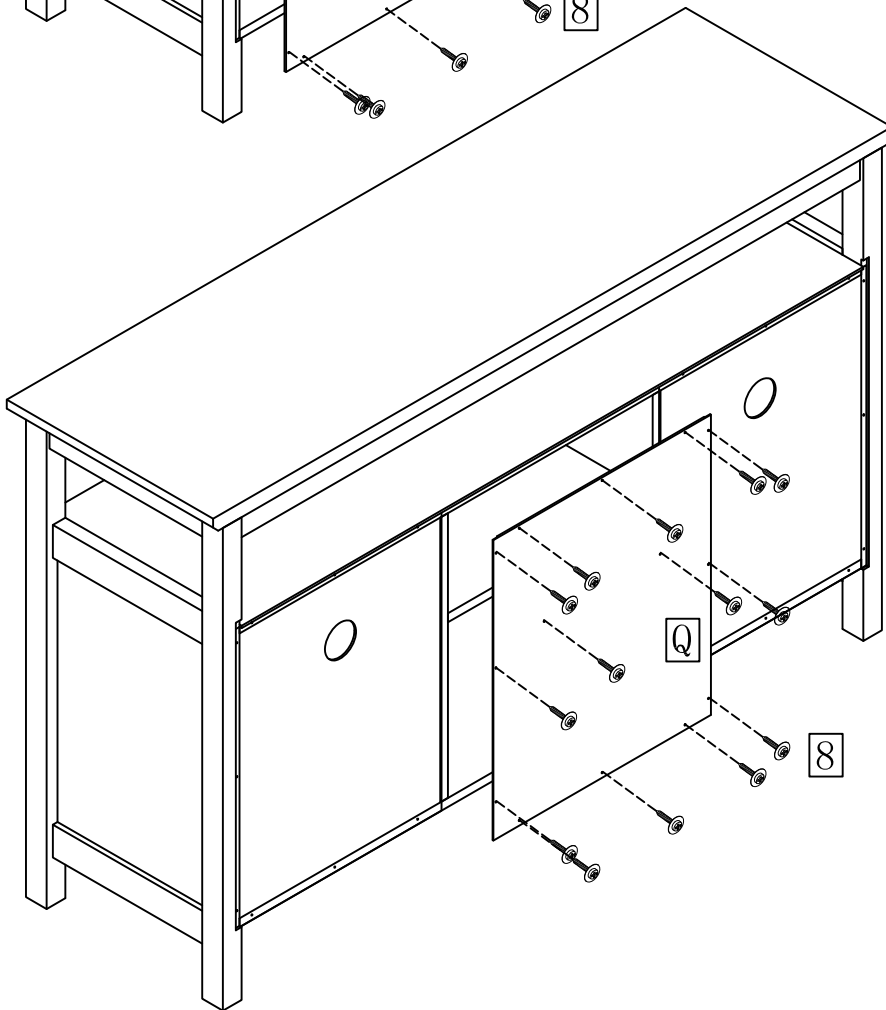
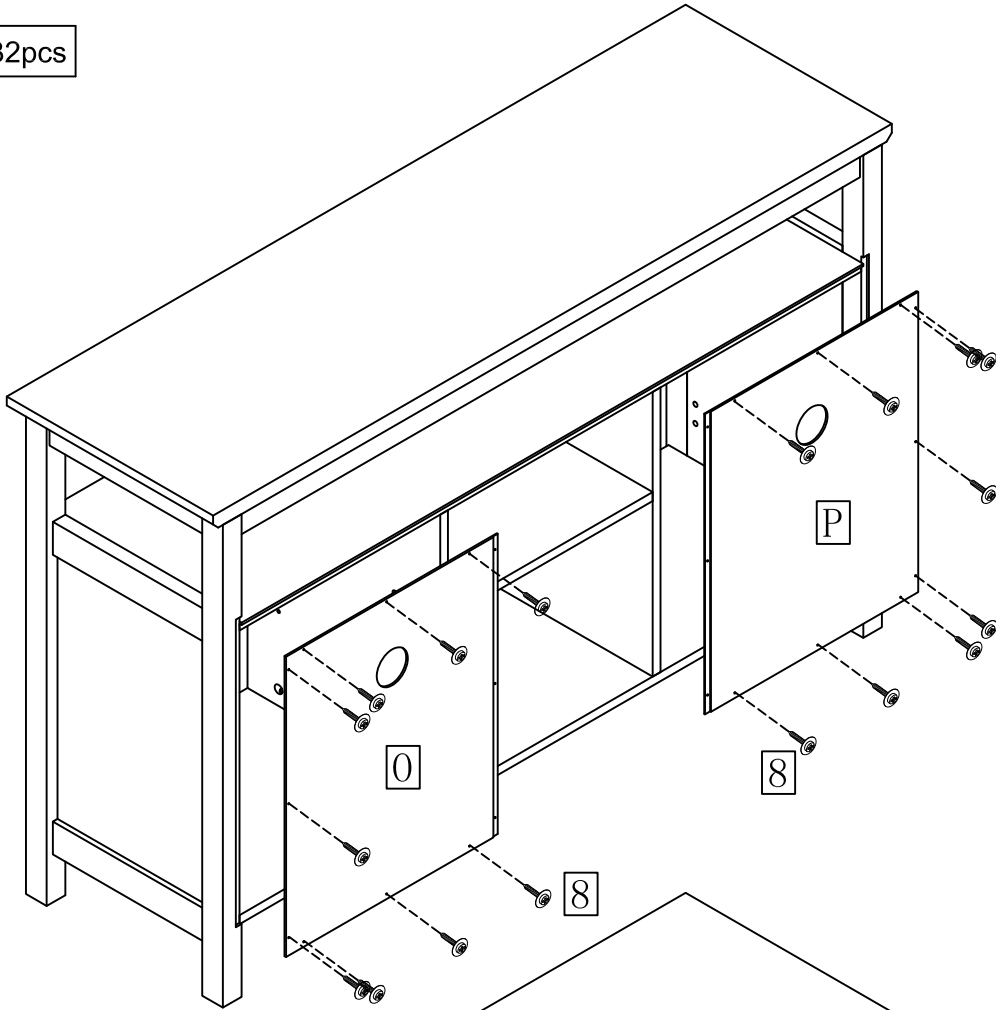
Step 13

1:  12 pcs





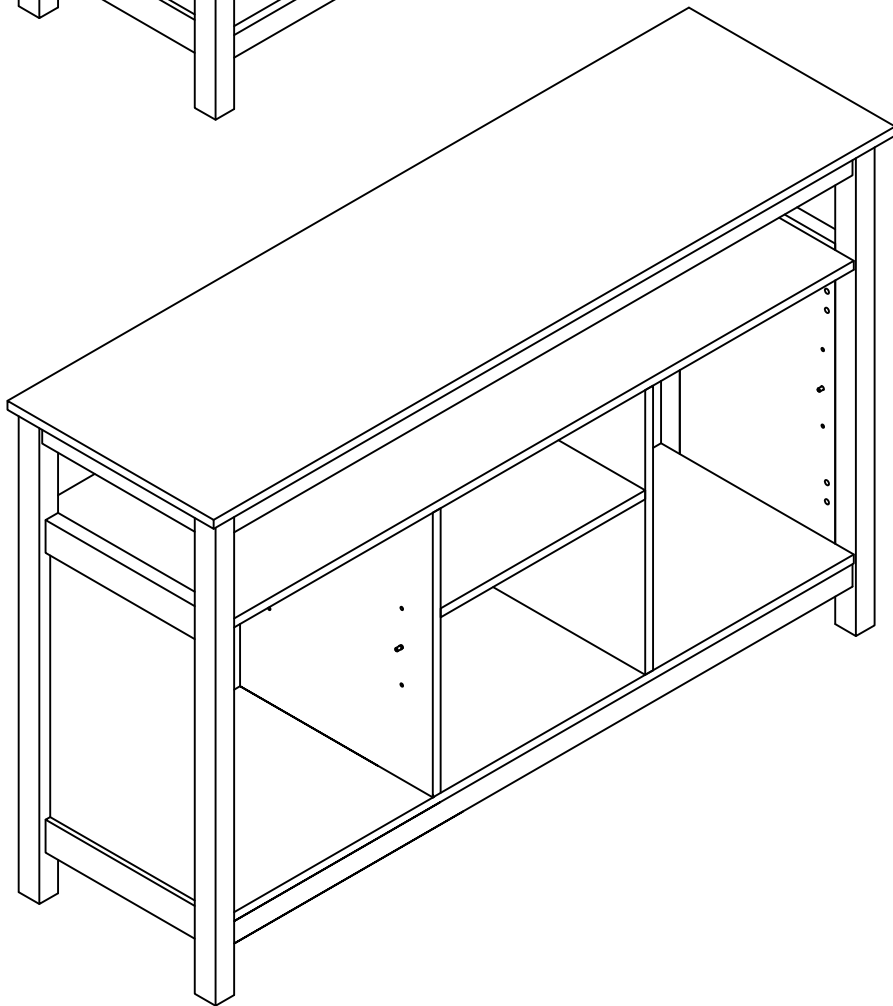
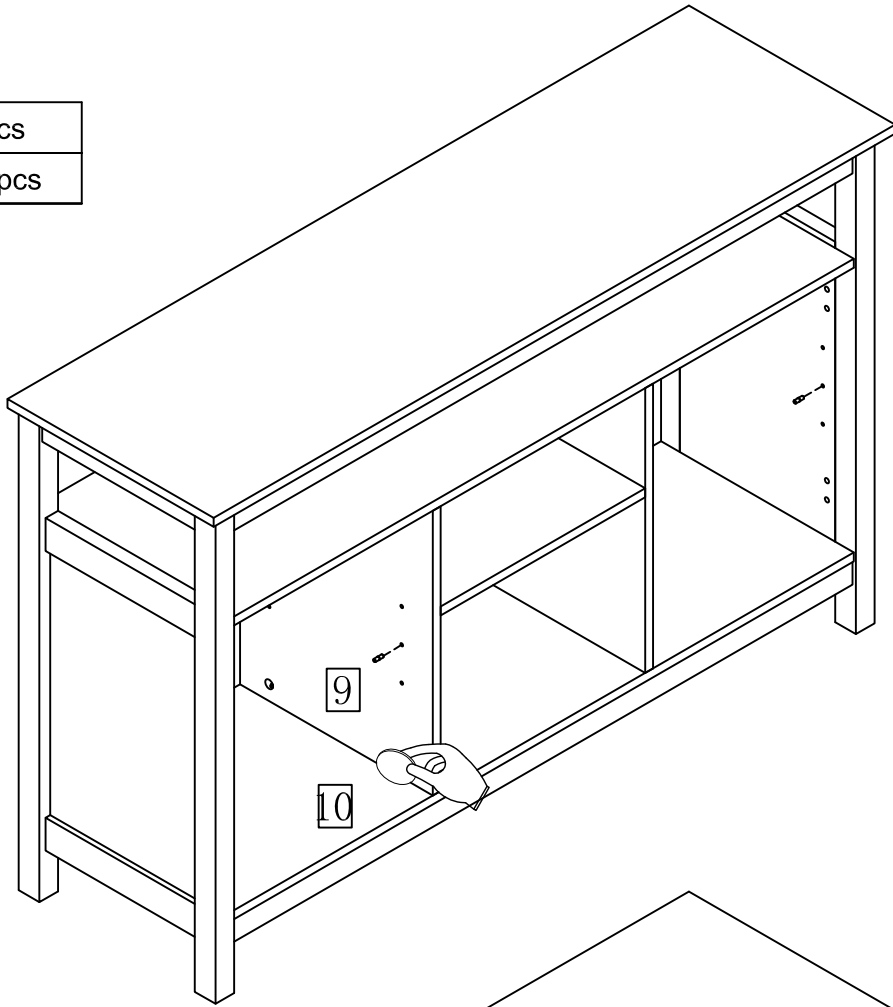
Step 14

8:  32pcs

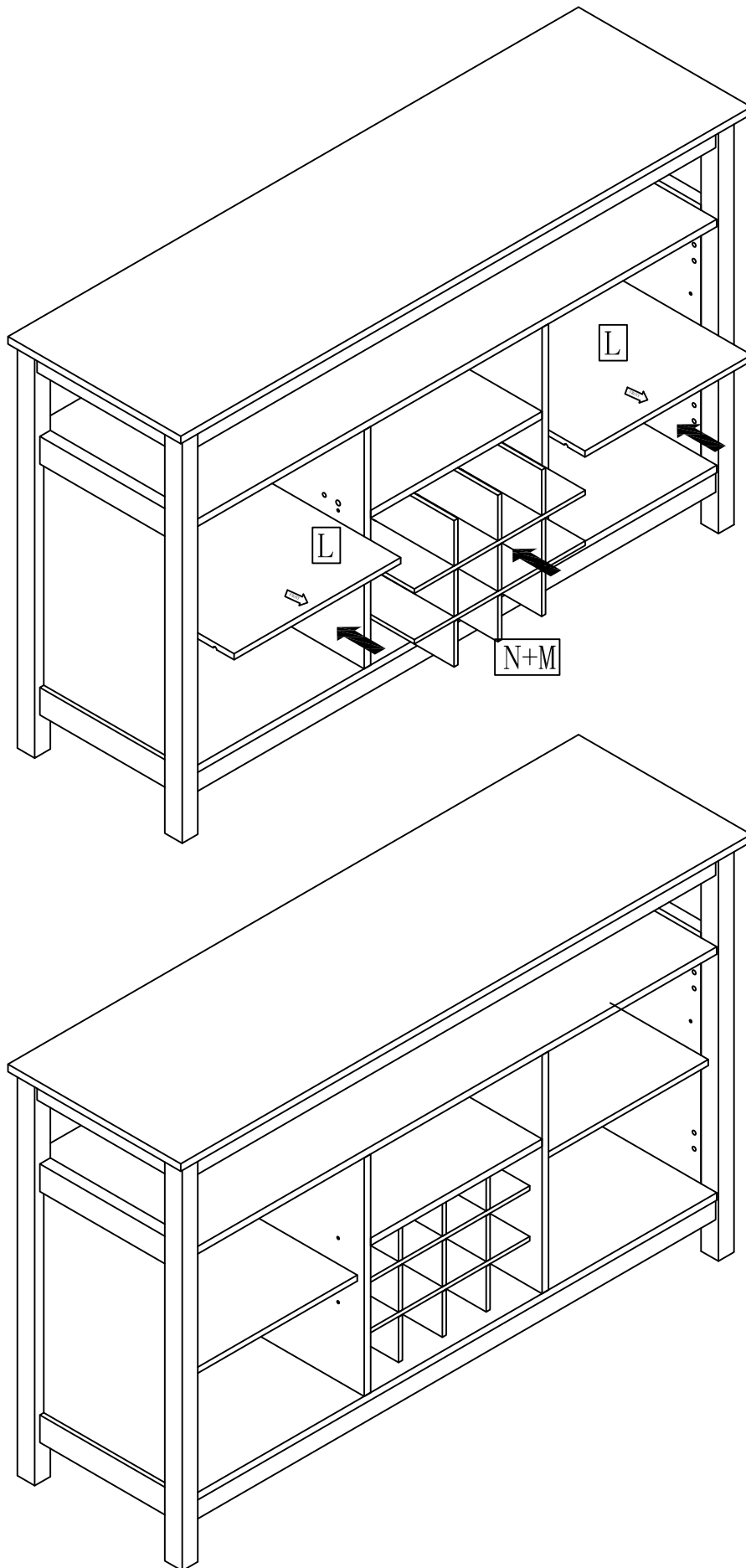


Step 15


- 9:  8 pcs
- 10:  8 pcs

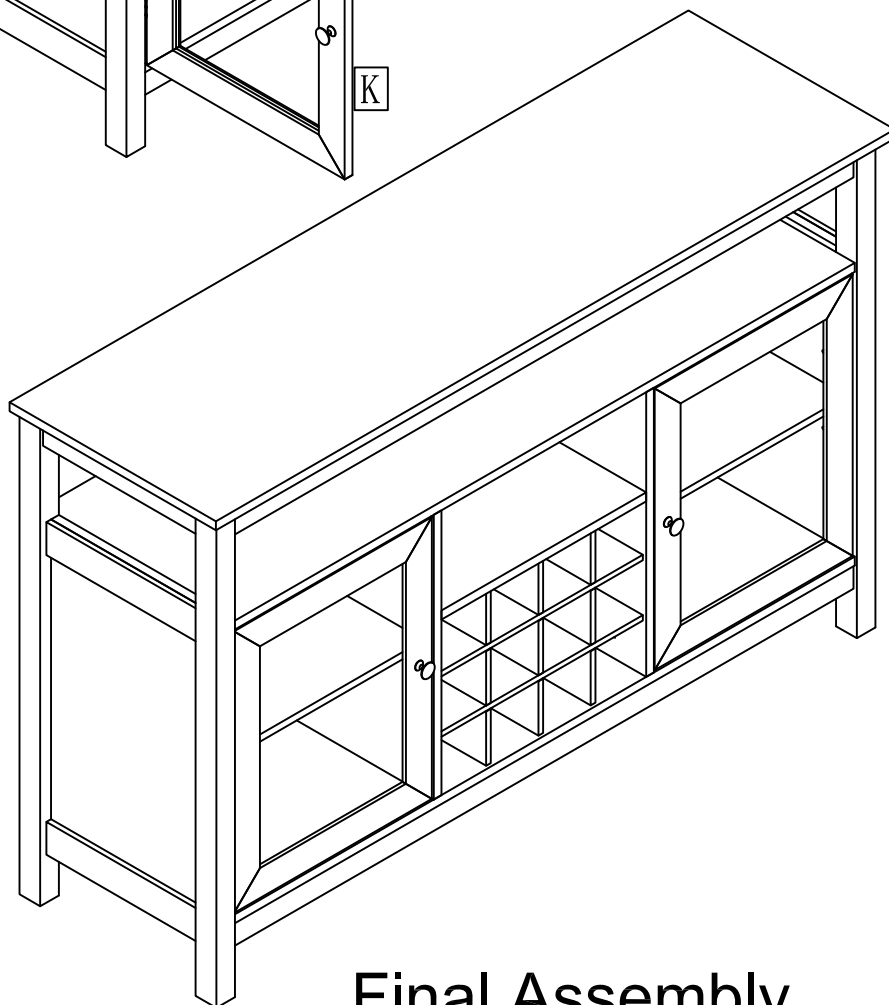
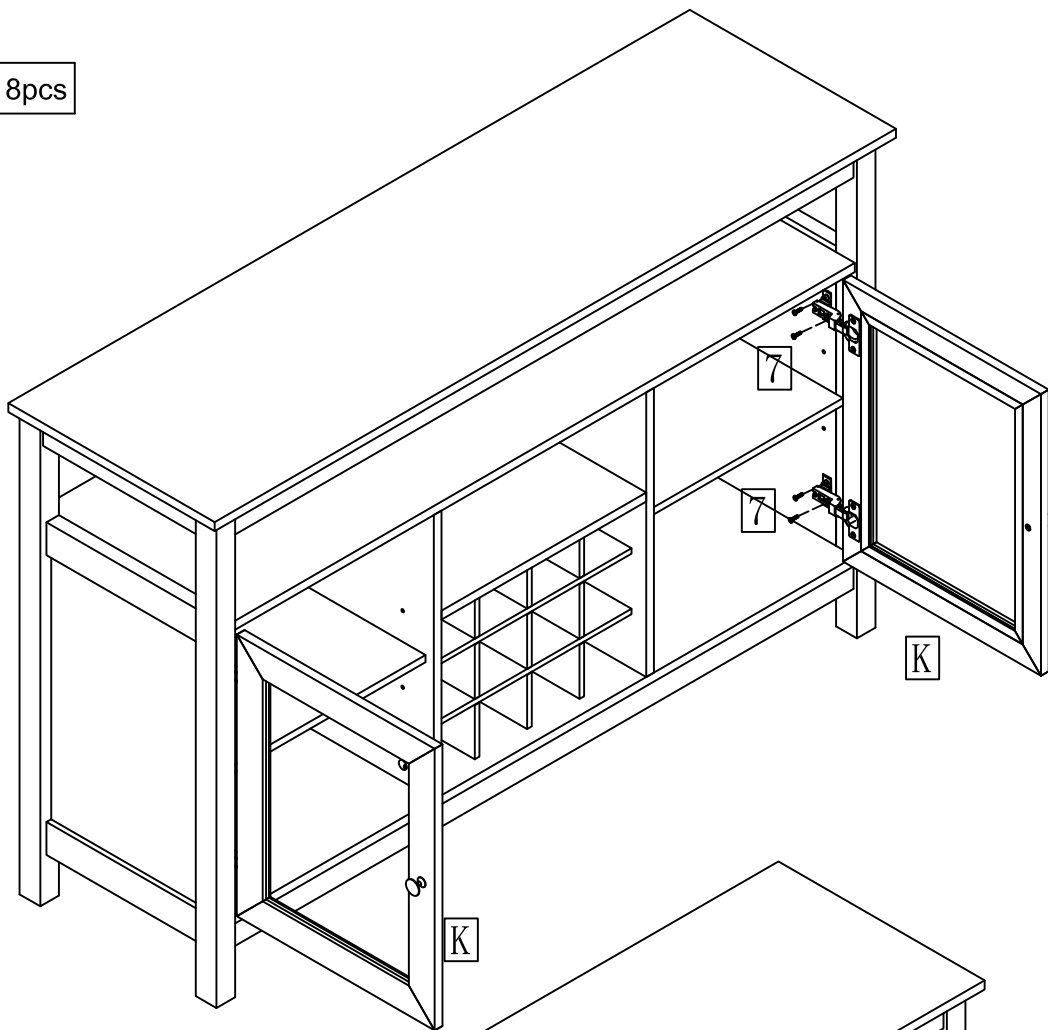


Step 16



Step 17

7:  8pcs



Final Assembly