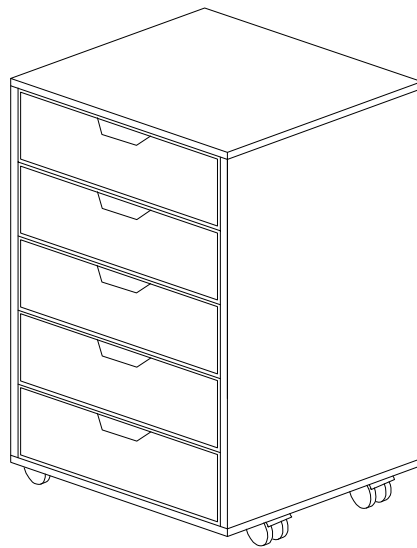










Instruction Manual

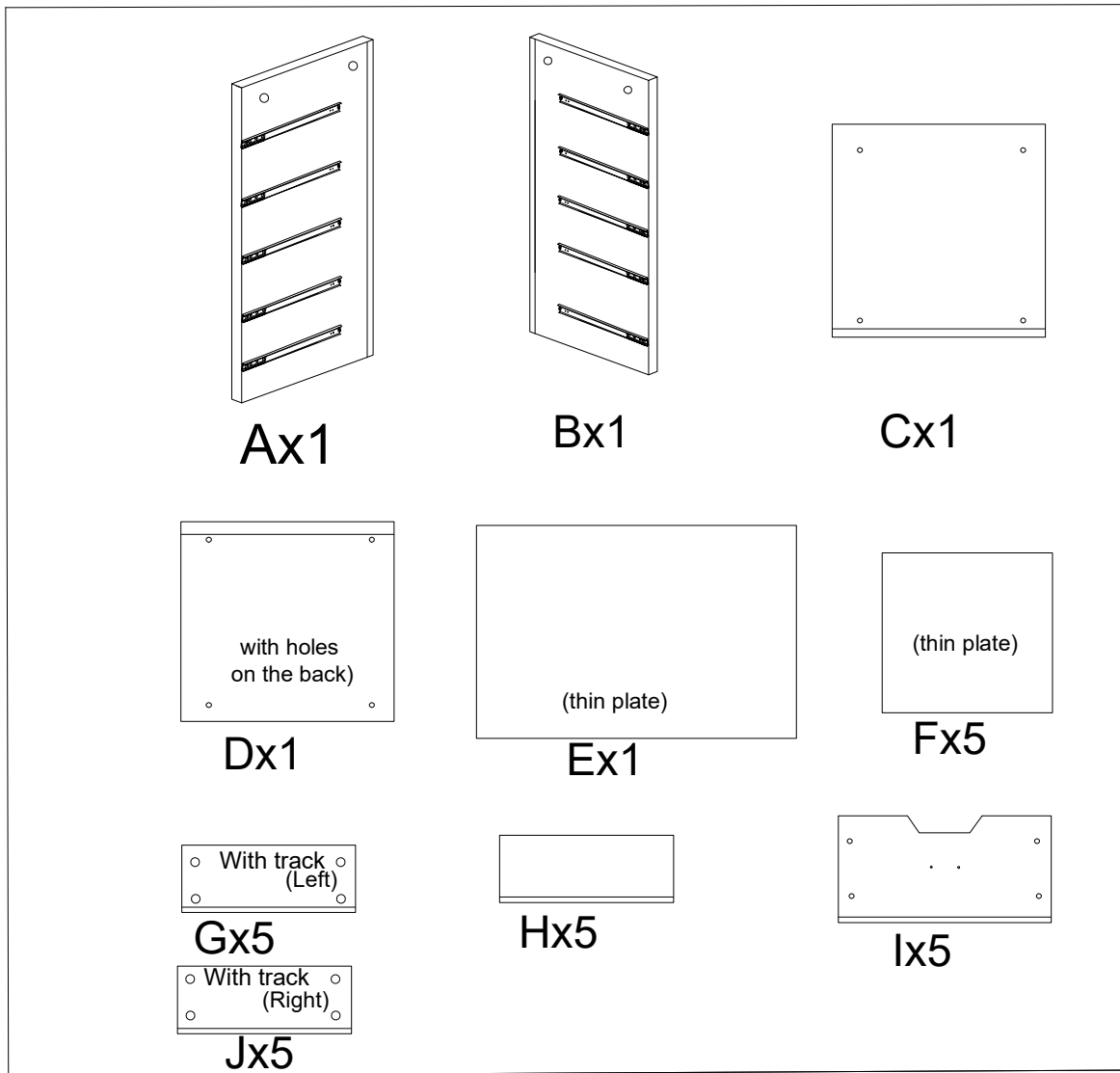


DEAR CUSTOMER,

Thank you for choosing our product. Please read this manual carefully before assembling or using the product, to avoid being damaged by improper use. If the product is passed on to the third parties, this manual has to be passed on along with the product.

PARTS LIST

1		x4	2		x4	3		x4
4		x40	5		x40	6		x20
7		x4	8		x4			

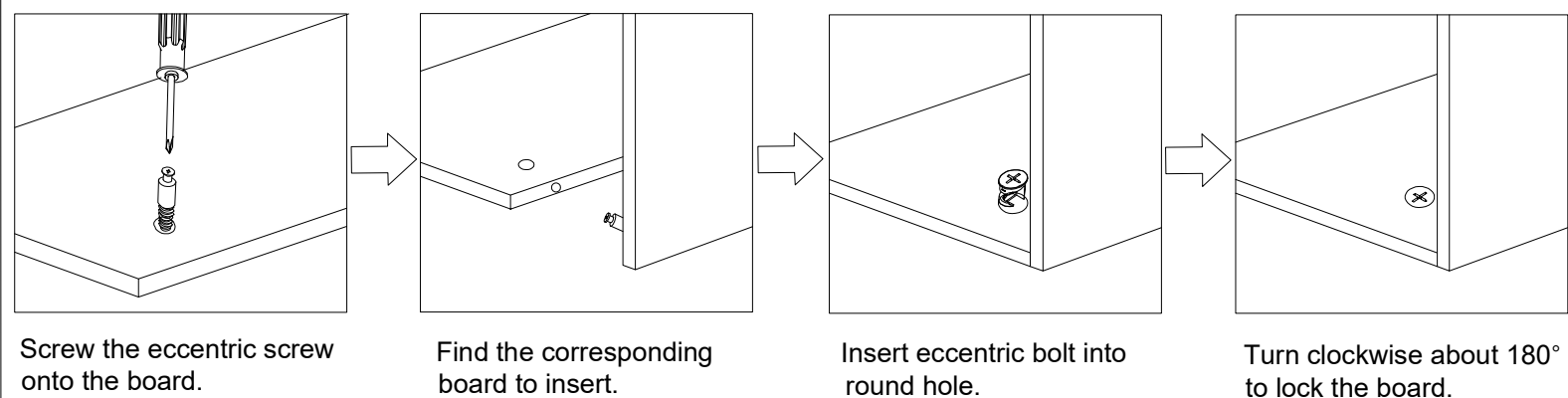


ASSEMBLY

Please check that you have all the parts listed before you start assembling. If you do find that something is missing, please contact your supplier immediately.

Note: Pls do not tighten all bolts until the table is assembled completely!

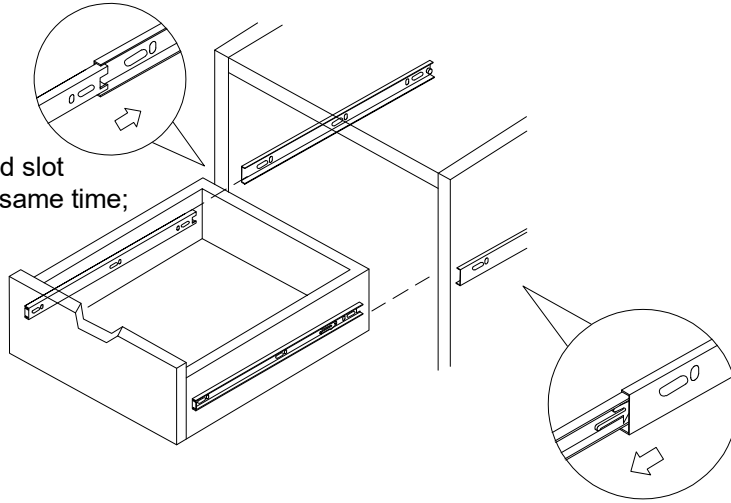
Eccentric installation principle:



Guide rail installation drawing

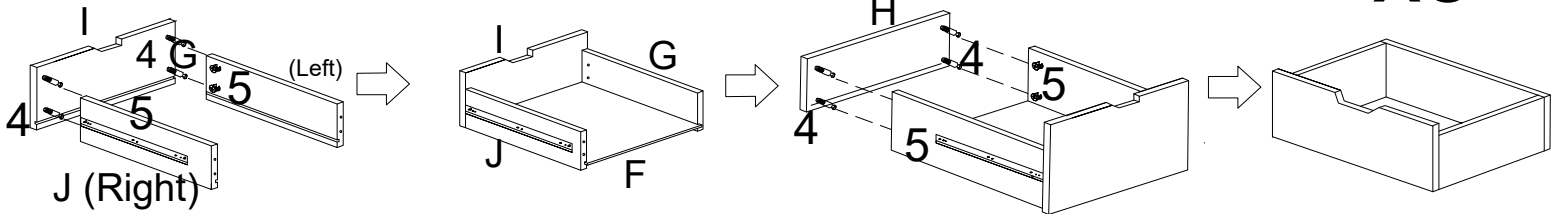
① The track on the drawer is directly pushed into the track on the cabinet body, and the installation is completed.

! Note: Align the card slot horizontally at the same time;



② Remove the switch

Step:1 (Installing drawer)



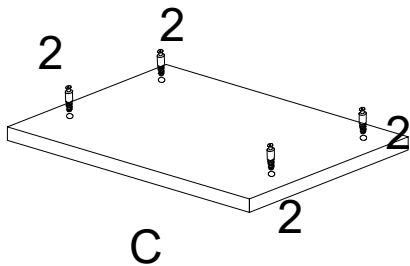
Connect left and right side panels to drawer panels.

Install drawer bottom plates.

Install drawer back plates.

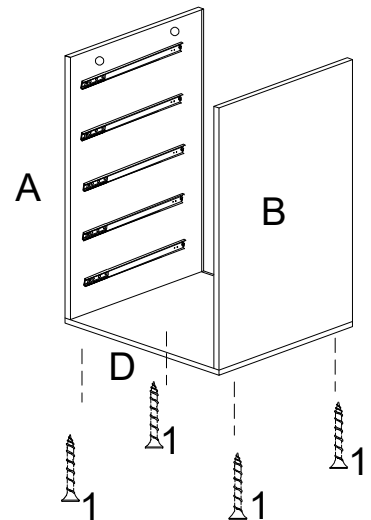
Install slide rails on both sides.

Step:2



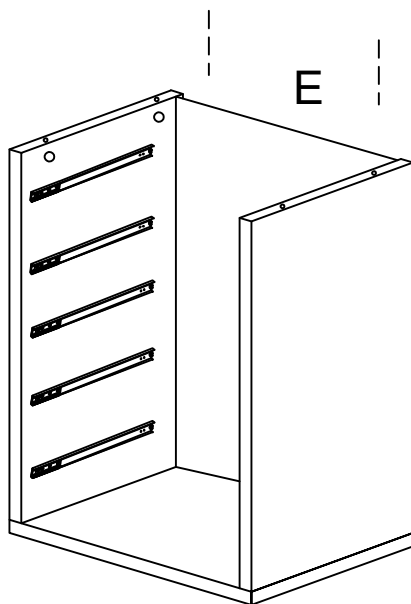
As shown, Fix the fittings on the plate.

Step:3



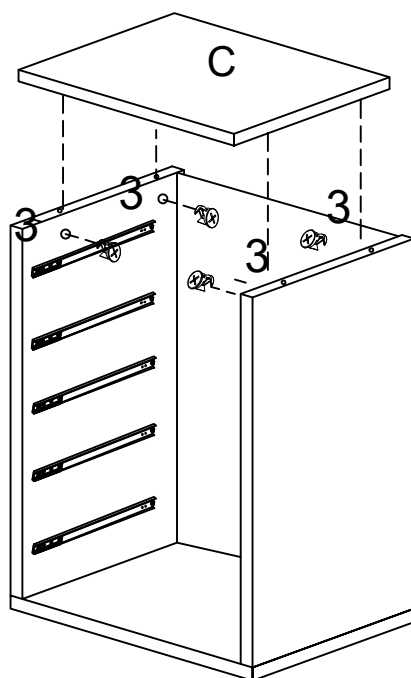
As shown, Connect boards A and B to board D.

Step:4



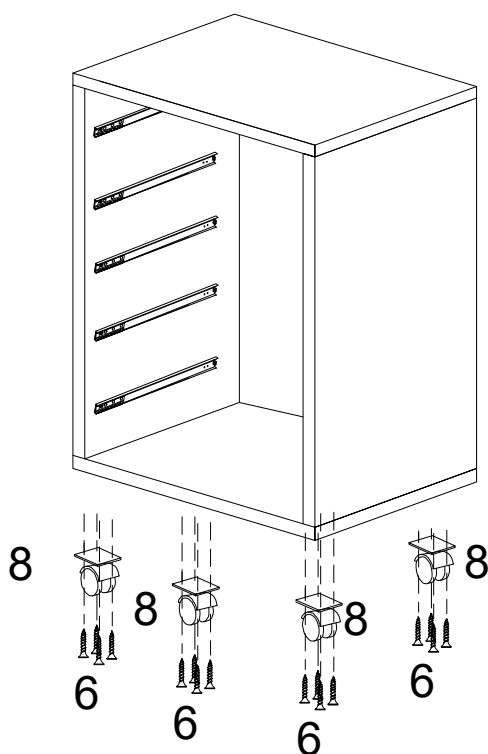
Install the back

Step:5



As shown, Connect plate B, then tighten it with fitting 3.

Step:6

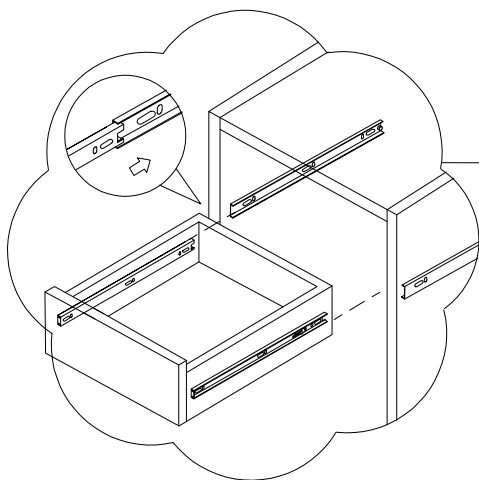


As shown,Fix the wheel of accessory 7 on the bottom plate through accessory 6.

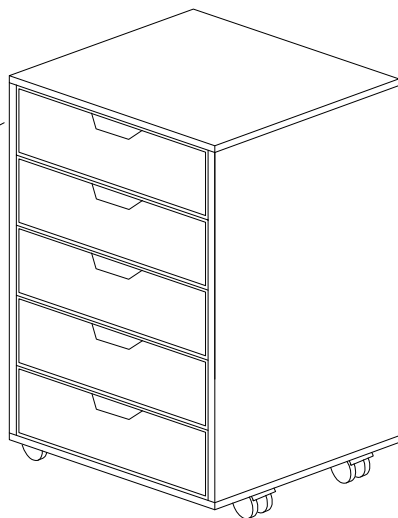
Step:7

Installation Complete !

If your drawer is noticeably skewed, check that the rails are in place



The track on the drawer is directly pushed into the track on the cabinet body, and the installation is completed.



As shown,Install the drawer well.

