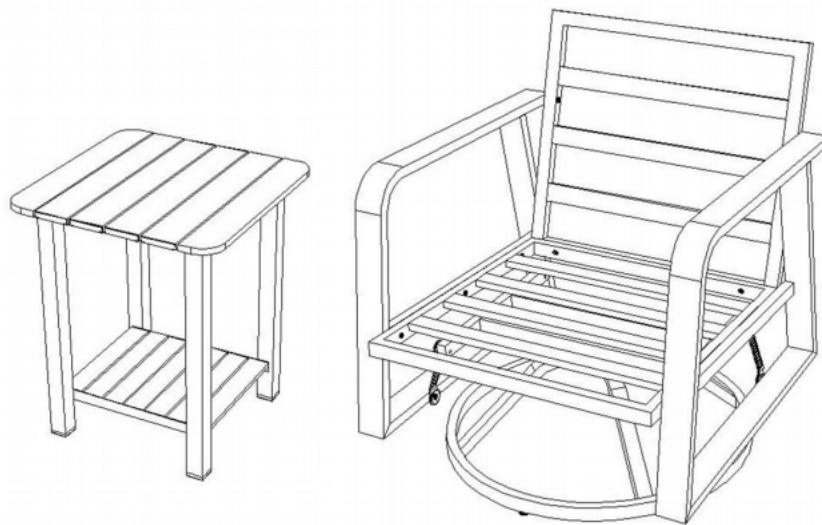


ASSEMBLY GUIDE

SWIVEL CHAIR & SIDE TABLE ASSEMBLY GUIDE



We have updated a more detailed manual and installation videos to enhance our service. The manual you received is the improved version. If other packages in your order lack this version or you need assistance, please contact us via

We also offer a free two-year warranty. Just send us your order number, email, and city to register, and we'll handle it for you.

NOTICE



Please Read Carefully Before Installation

After-Sales Service Guidelines

Dear customer, thank you very much for your support!



PLEASE DO NOT RETURN TO THE STORE!

If a part is lost or damaged, we will ship a replacement part free of charge, please leave your order number or order information.

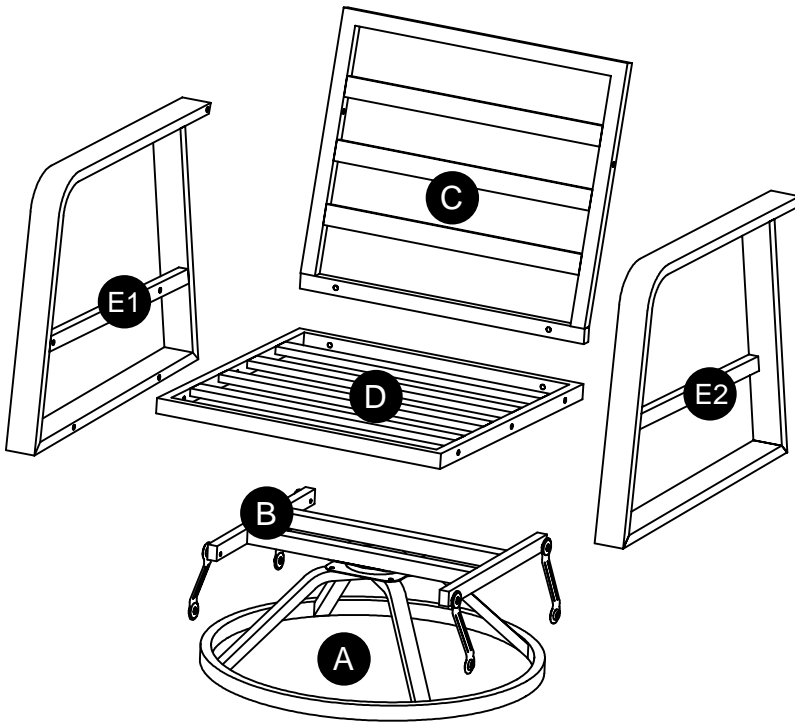
If you have purchased a patio conversation set, the packages may arrive at different times. For detailed tracking information, please contact us.



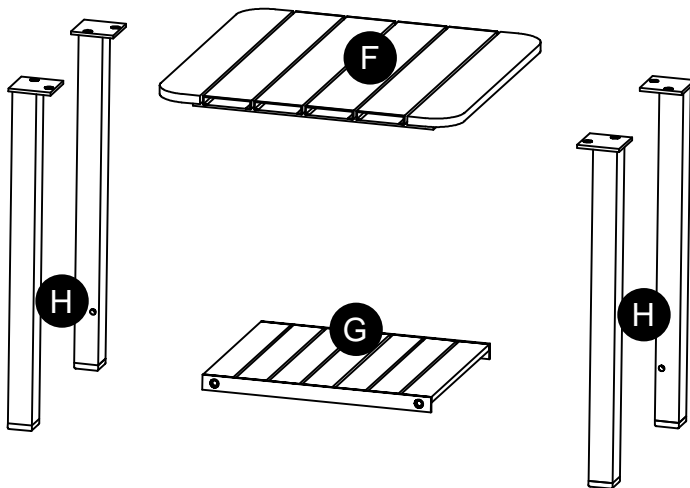
Assembly Video

PARTS LIST

(Swivel Chair & Side Table)



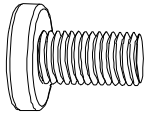
- Ⓐ Chair Base x1
- Ⓑ U-shaped Fitting x1
- Ⓒ Chair Back x1
- Ⓓ Seat Panel x1
- Ⓔ1 Right Arm x1
(when seated)
- Ⓔ2 Left Arm x1
(when seated)



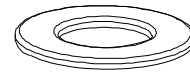
- Ⓕ Table Top x1
- Ⓖ Table Tray x1
- Ⓖ Table Leg x4

PARTS LIST

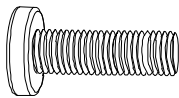
(Swivel Chair & Side Table)



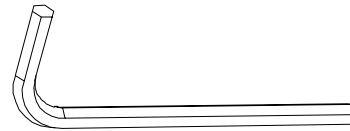
I
Screw (M6x15mm)



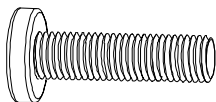
M
Metal Washers



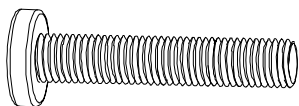
J
Screw (M6x28mm)



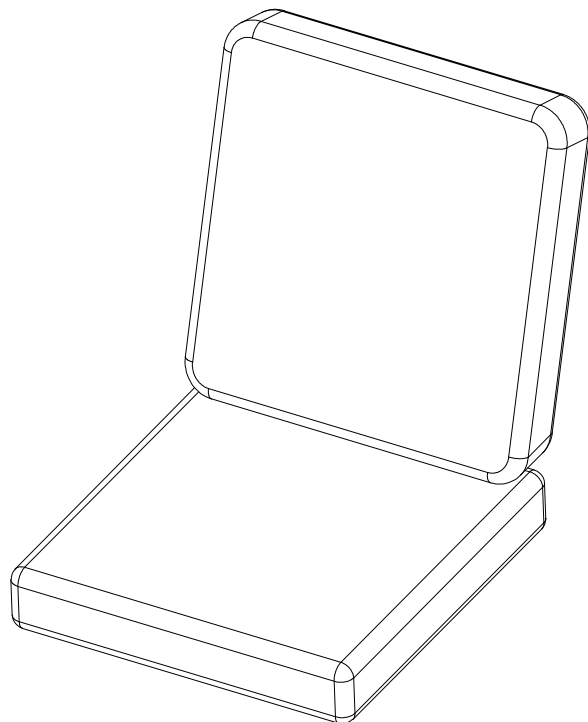
N
Allan Wrench x1



K
Screw (M6x35mm)



L
Screw (M6x45mm)

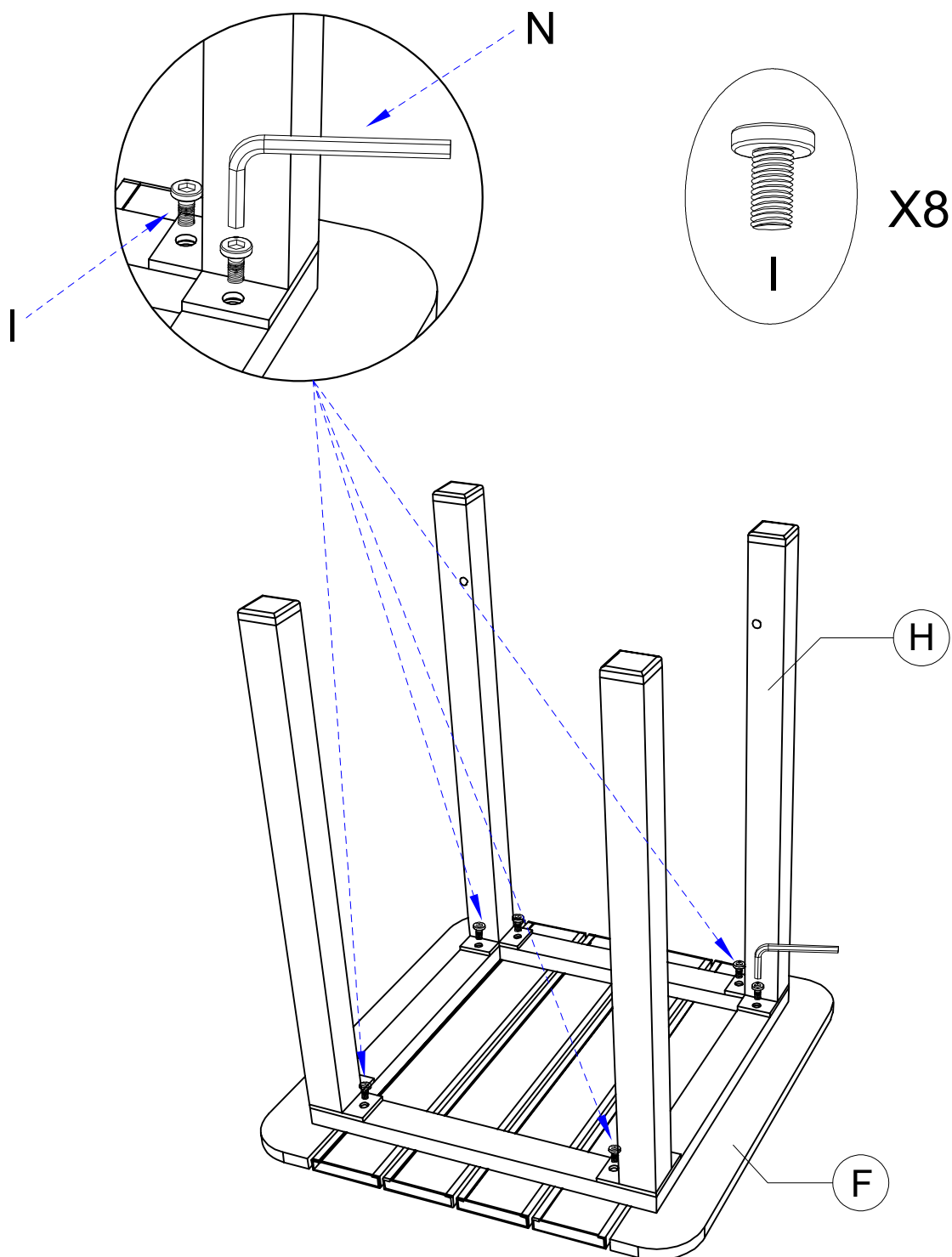


Side Table Assembly Instruction



Do not fully tighten the screws during initial assembly.
Fully tighten screws only once all pieces which are correctly assembled.

STEP 1

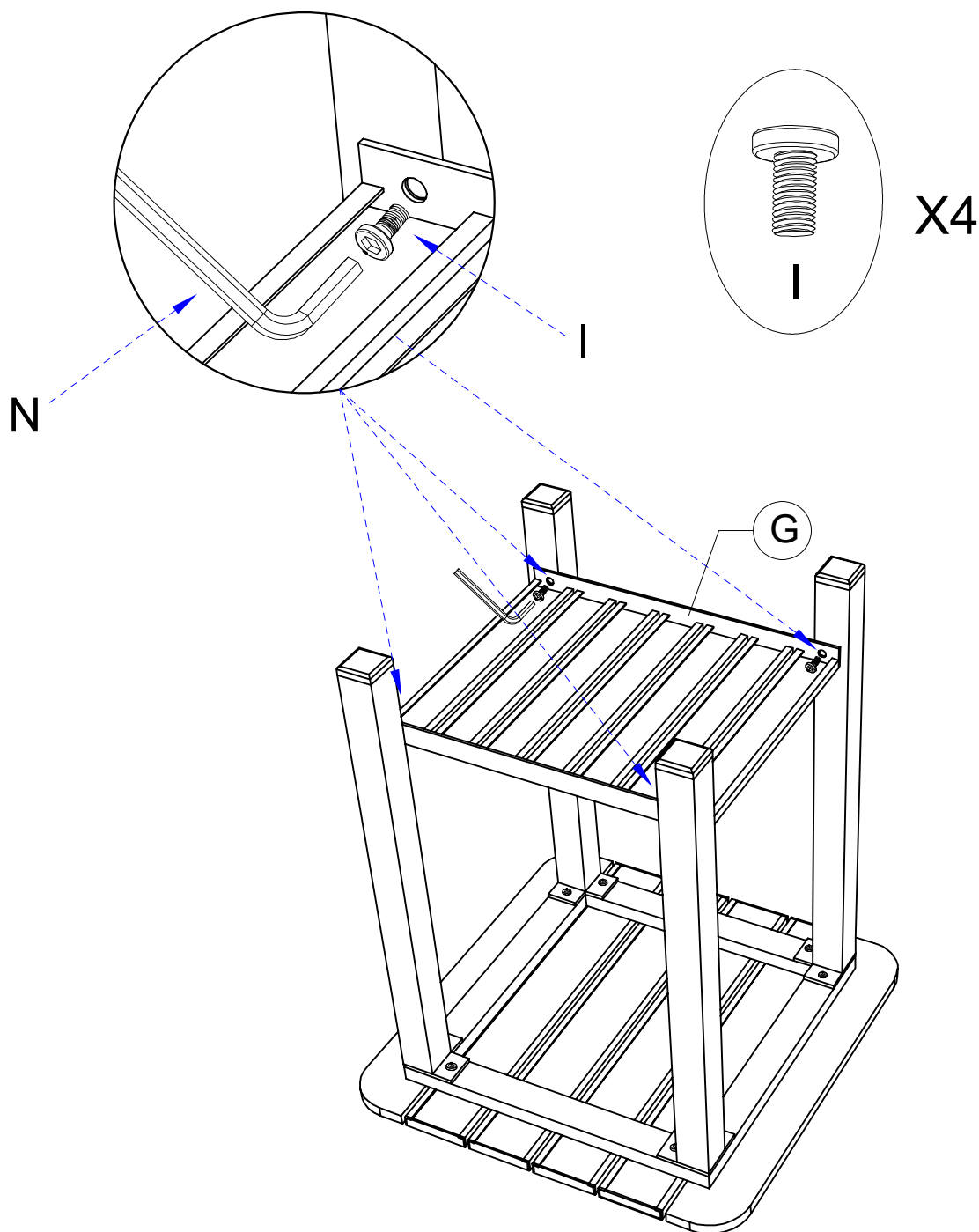


Side Table Assembly Instruction



Do not fully tighten the screws during initial assembly.
Fully tighten screws only once all pieces which are correctly assembled.

STEP 2



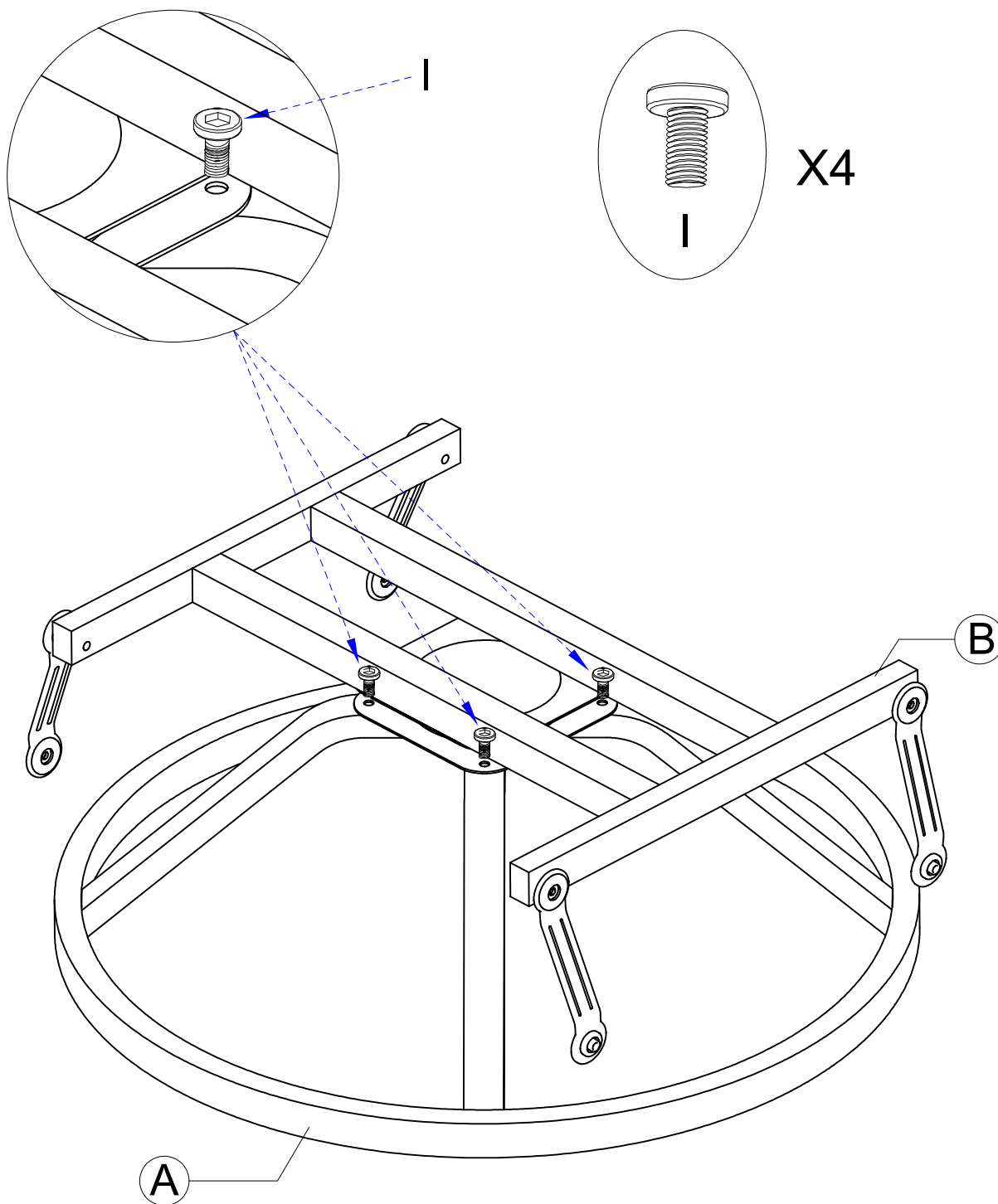
Fully tighten all the screws !
The side table is completed !

Swivel Chair Assembly Instruction



Do not fully tighten the screws during initial assembly.
Fully tighten screws only once all pieces which are correctly assembled.

STEP 3

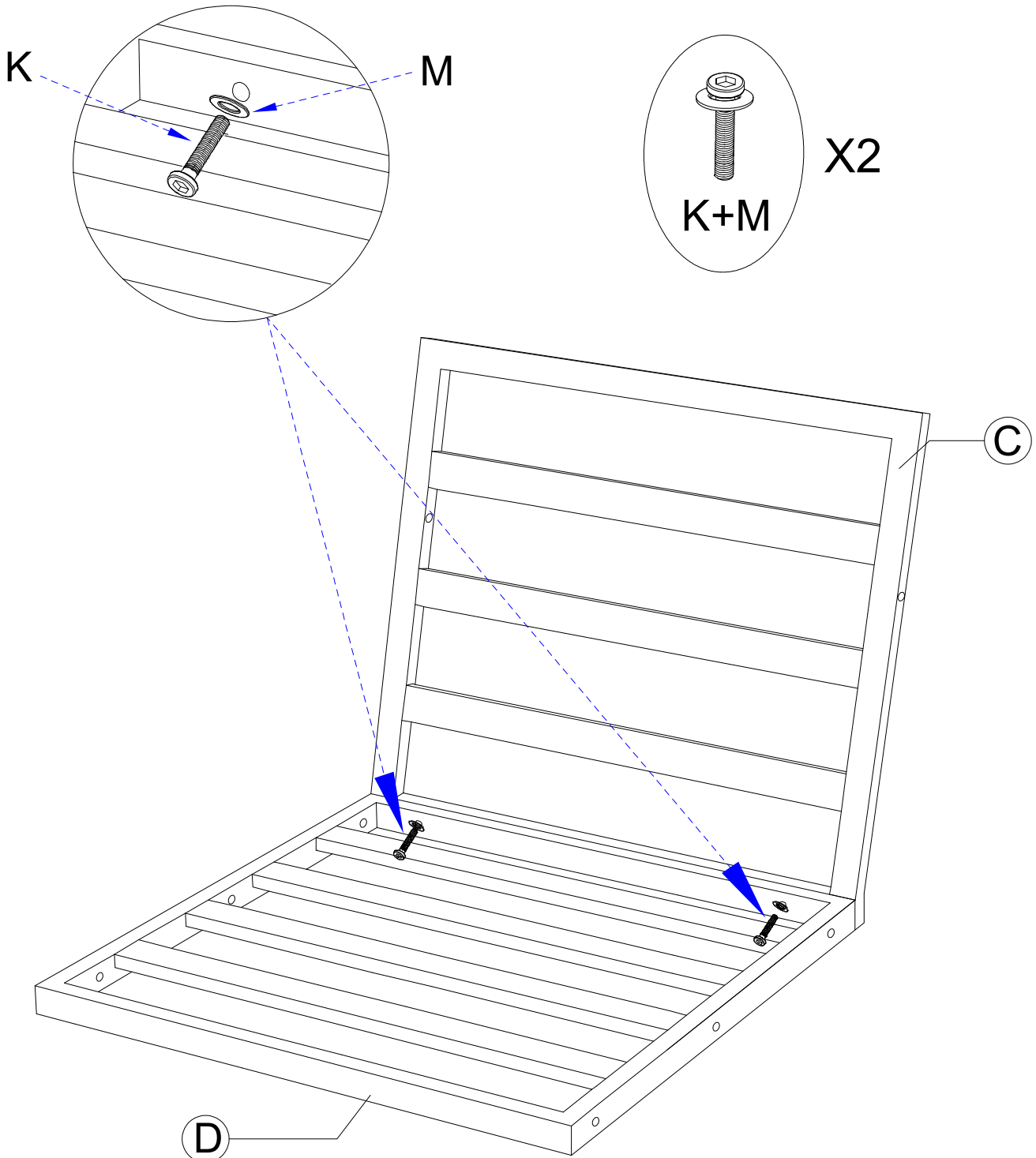


Swivel Chair Assembly Instruction



Do not fully tighten the screws during initial assembly.
Fully tighten screws only once all pieces which are correctly assembled.

STEP 4

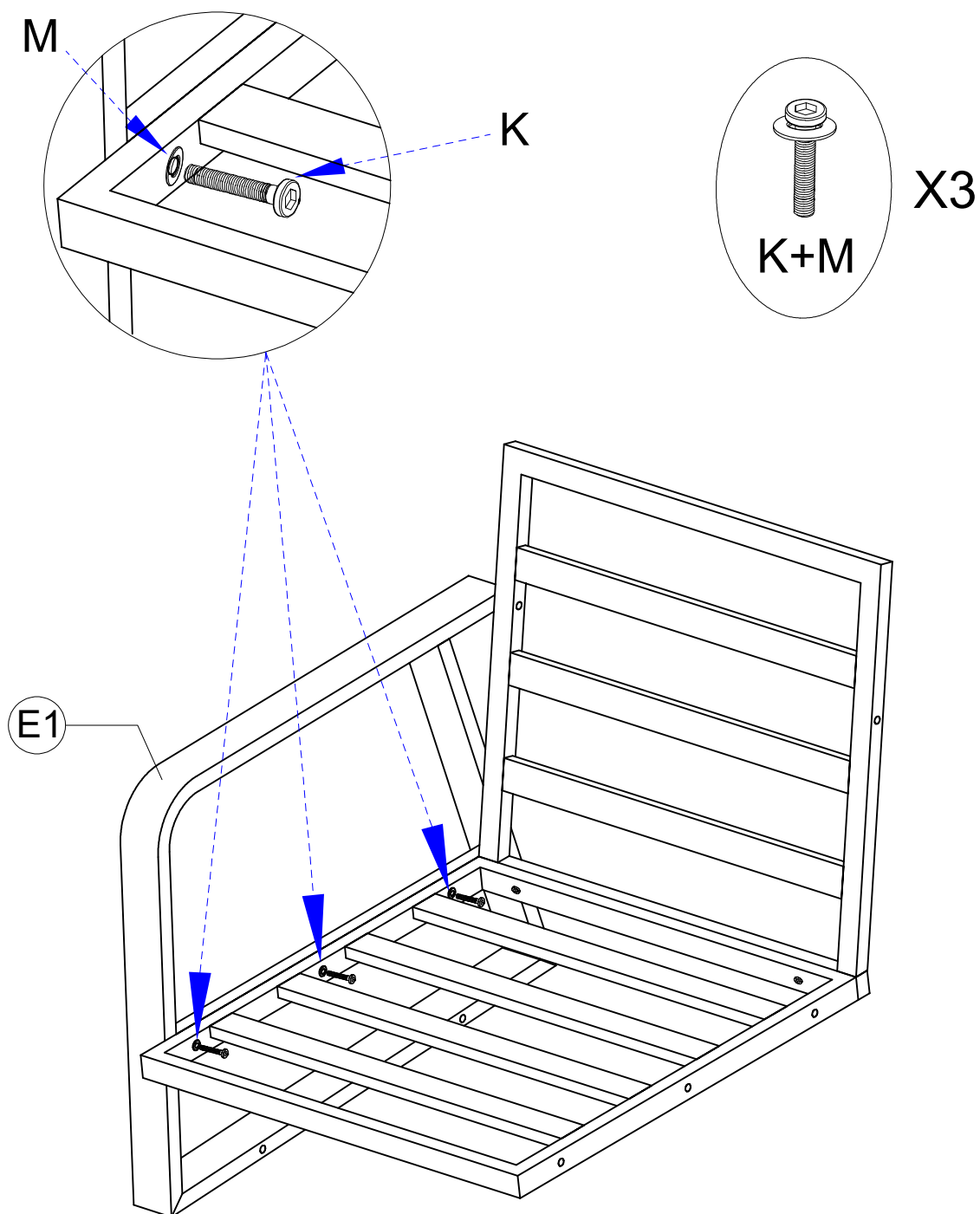


Swivel Chair Assembly Instruction



Do not fully tighten the screws during initial assembly.
Fully tighten screws only once all pieces which are correctly assembled.

STEP 5

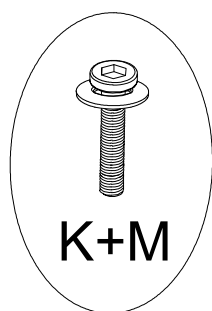


Swivel Chair Assembly Instruction



Do not fully tighten the screws during initial assembly.
Fully tighten screws only once all pieces which are correctly assembled.

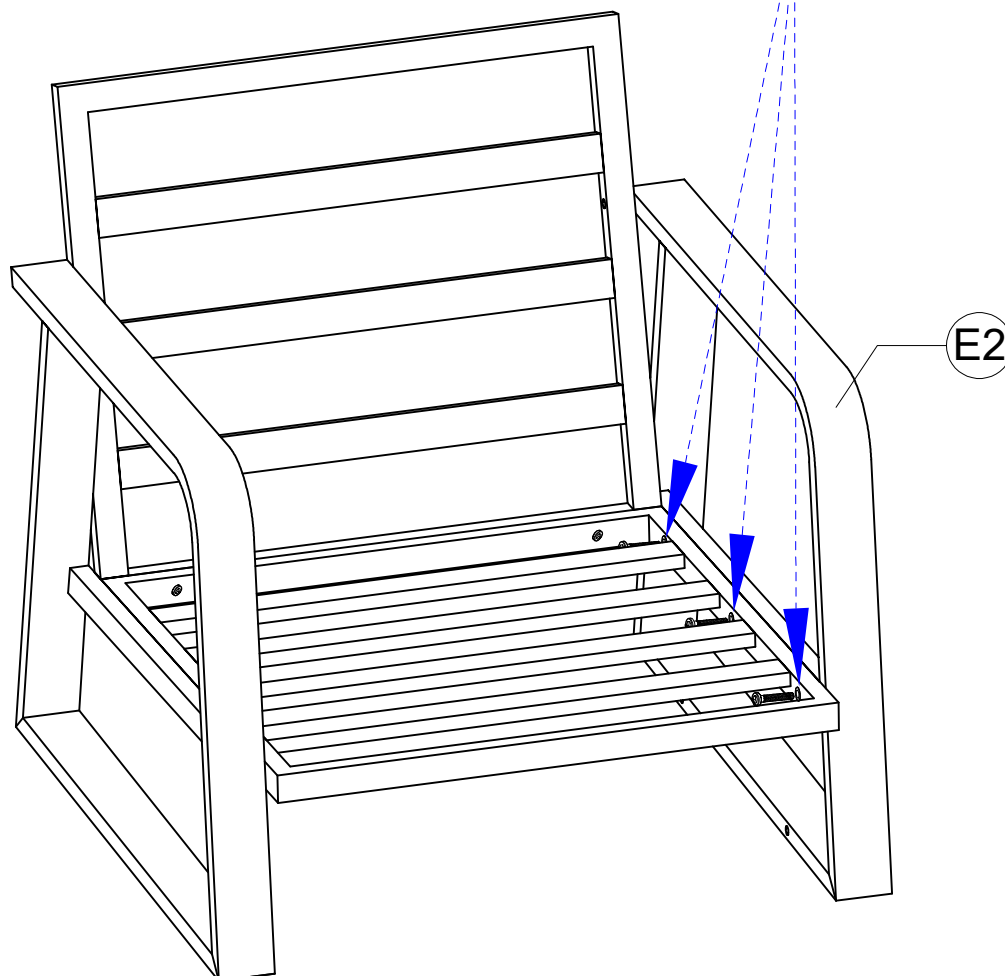
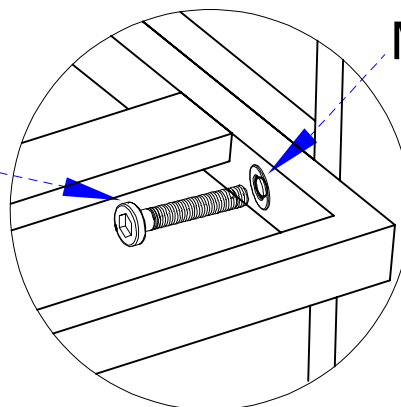
STEP 6



X3

K

M

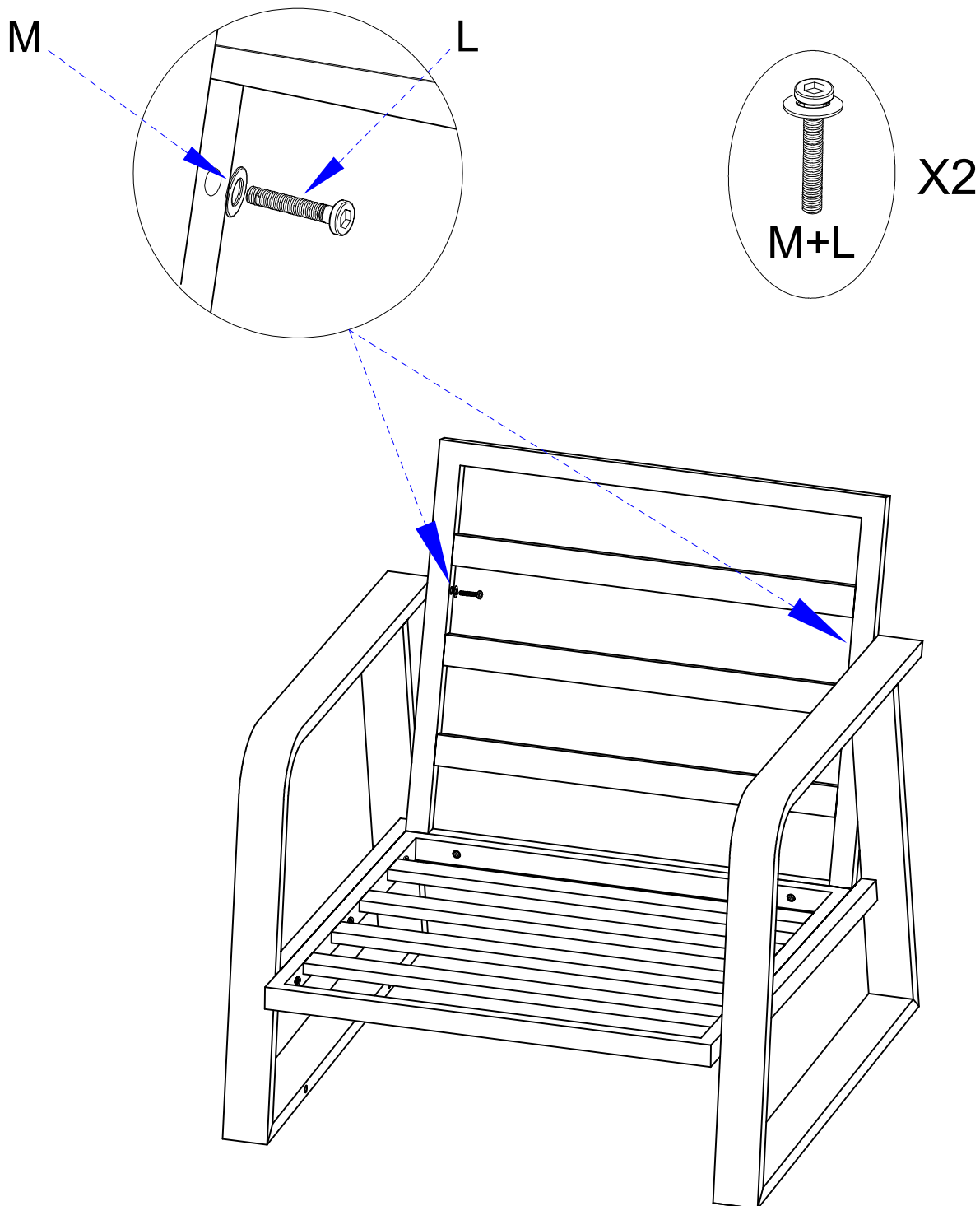


Swivel Chair Assembly Instruction



Do not fully tighten the screws during initial assembly.
Fully tighten screws only once all pieces which are correctly assembled.

STEP 7

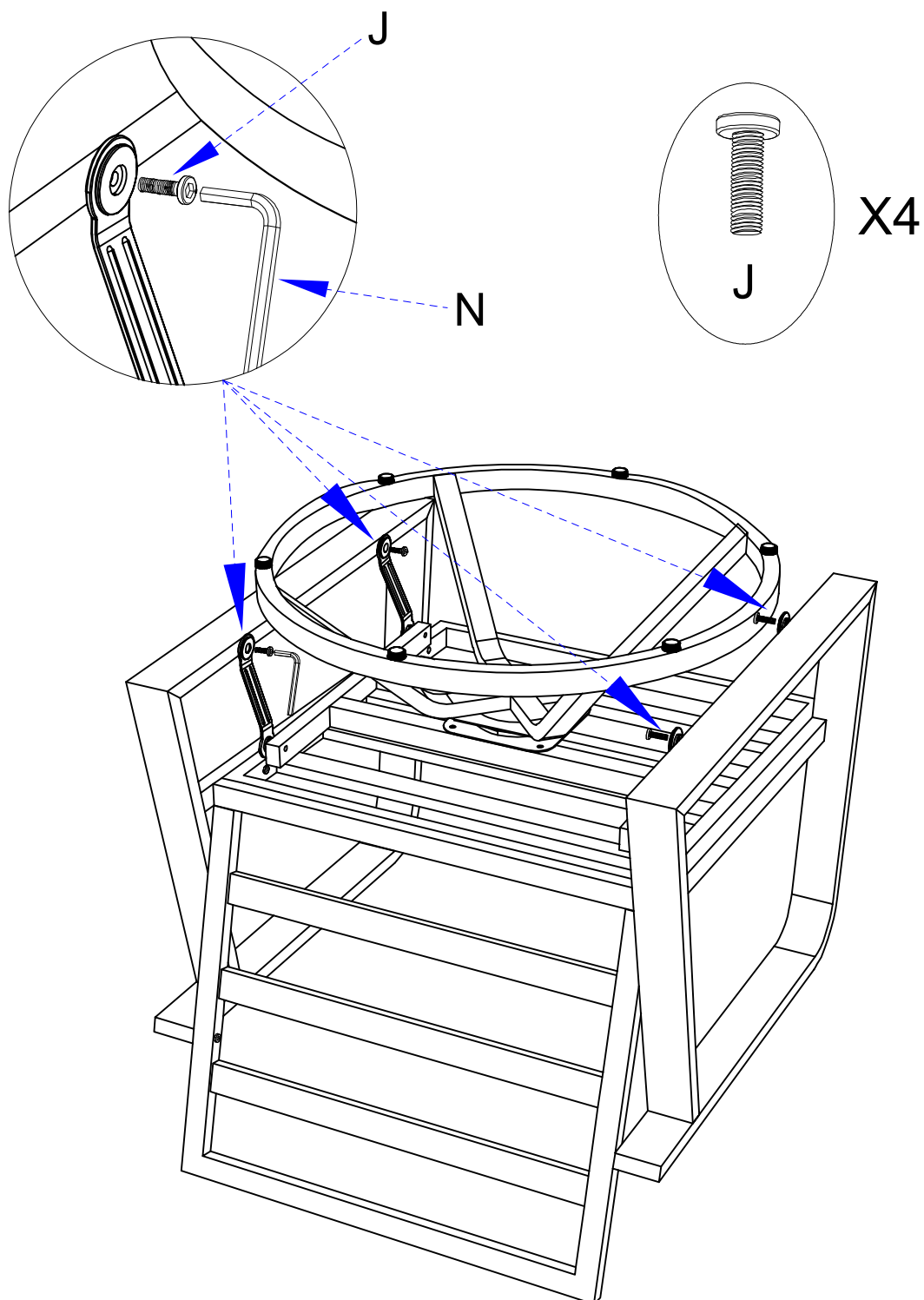


Swivel Chair Assembly Instruction



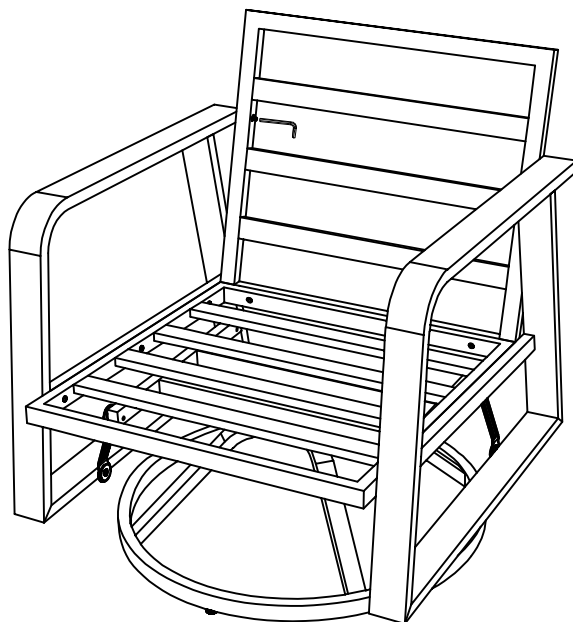
Do not fully tighten the screws during initial assembly.
Fully tighten screws only once all pieces which are correctly assembled.

STEP 8

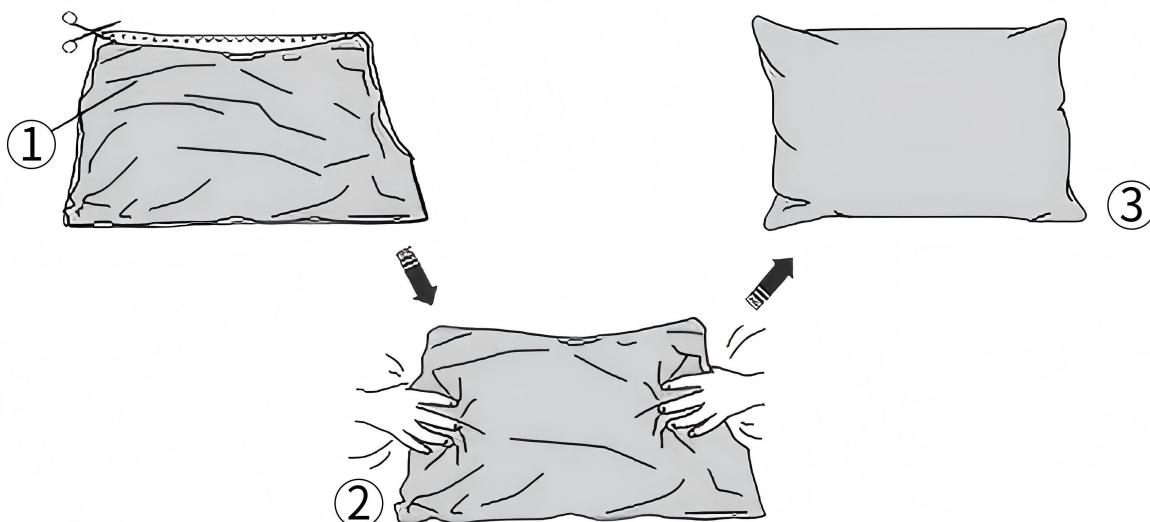


Swivel Chair Assembly Instruction

FINISH



Fully tighten all the screws and the chair is completed !



Unbox and fluff your cushion, then wait 48 hours for full rebound.