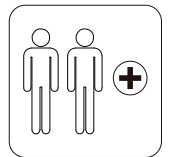
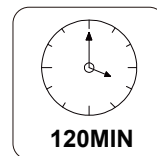
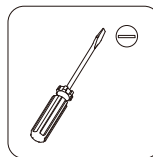
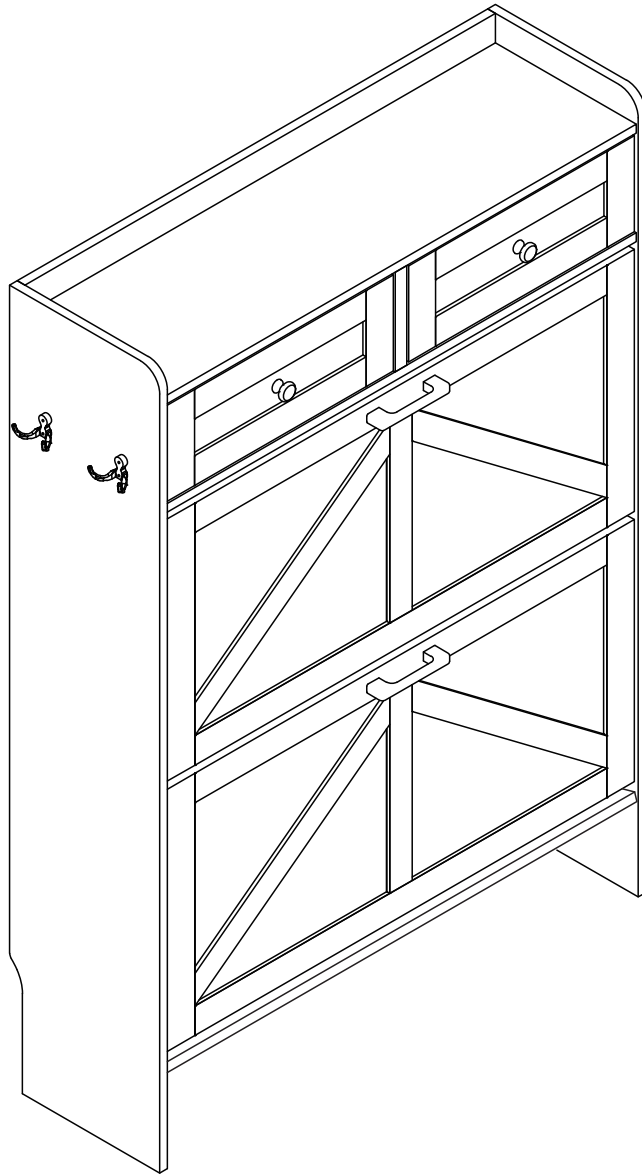


# Installation & Assembly

Version:1.3



**EN\_IMPORTANT, RETAIN FOR FUTURE REFERENCE: READ CAREFULLY.**

. THANK YOU FOR PURCHASE! .

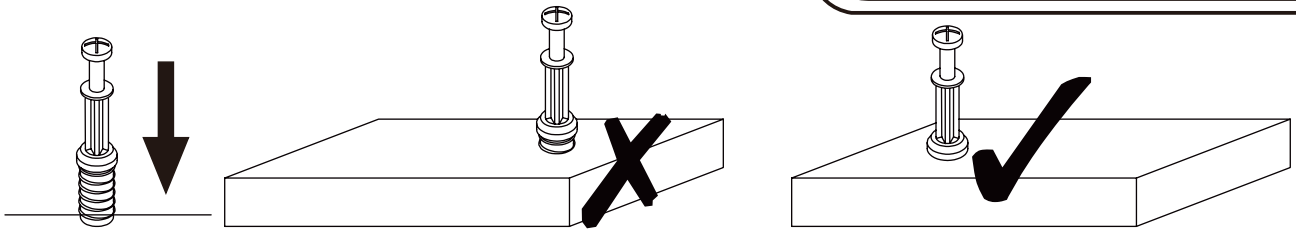
# FREE REPLACEMENT PARTS AVAILABLE!



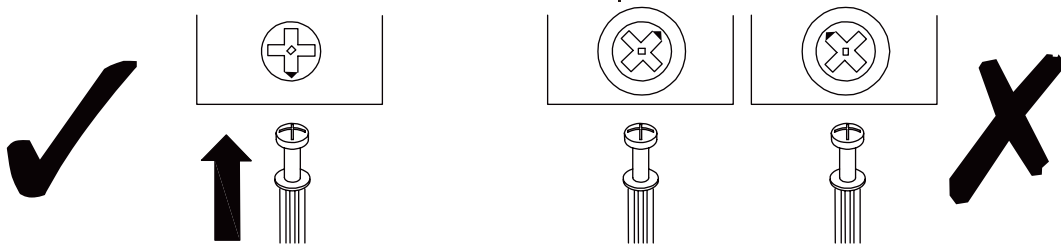
*---NEED HELP WITH YOUR FURNITURE?---*

If you're experiencing any issues—whether due to shipping, assembly, or any other reason  
—we're here to help.  
For any damaged or missing components, we're happy to provide FREE replacement parts.

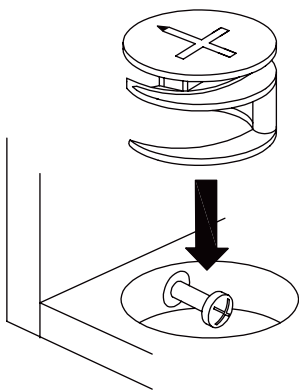
Our customer support team is ready to assist you and we will respond within  
12-24 HOURS to resolve your concerns quickly!



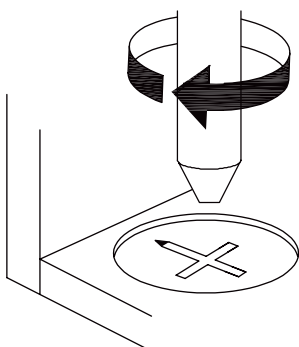
**EN\_QUICKFIT:** Tighten quickfit until shoulder is flush with panel. Do not overtighten or undertighten.



**EN\_CAM LOCK:** When fitting cam lock, ensure starting position is correct before you insert connecting quickfit.

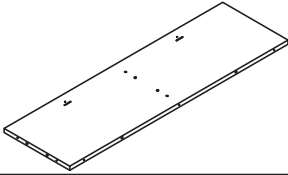
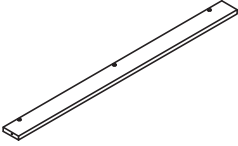
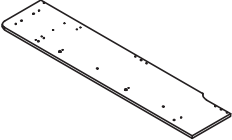
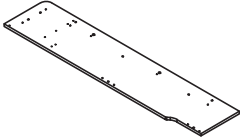
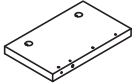
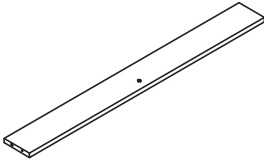
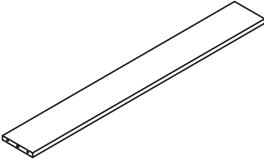
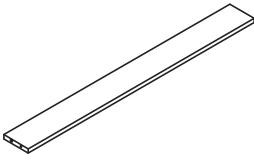
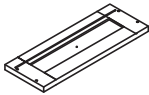
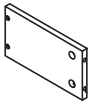


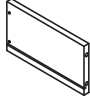
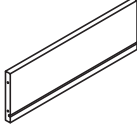
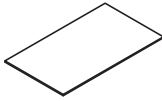
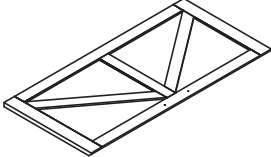
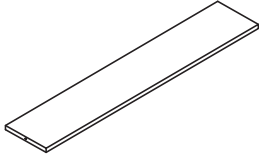
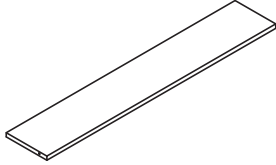
**EN\_Quickfit** head should be in the centre of the cam lock when the two panels are joined.  
Cam lock should be inserted before quickfit.

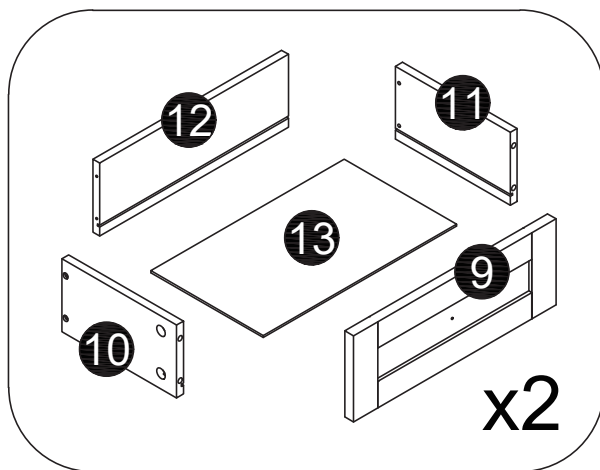
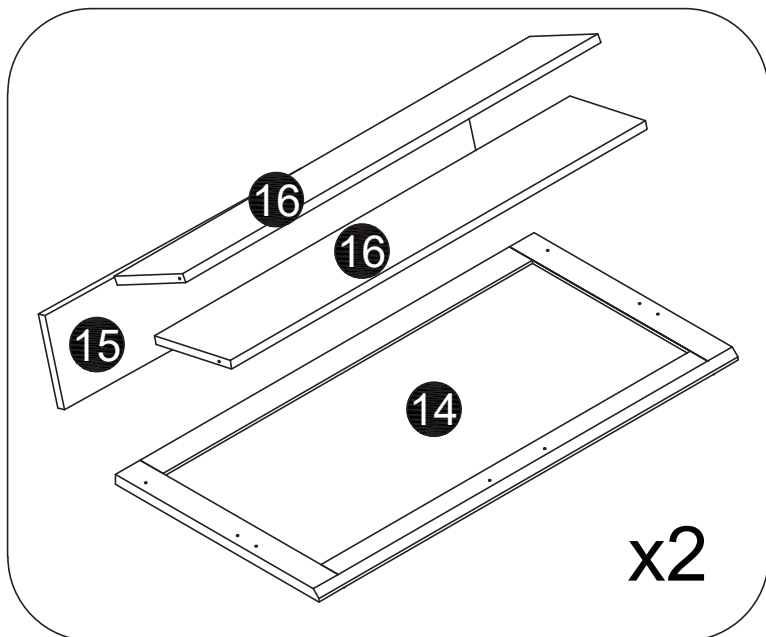
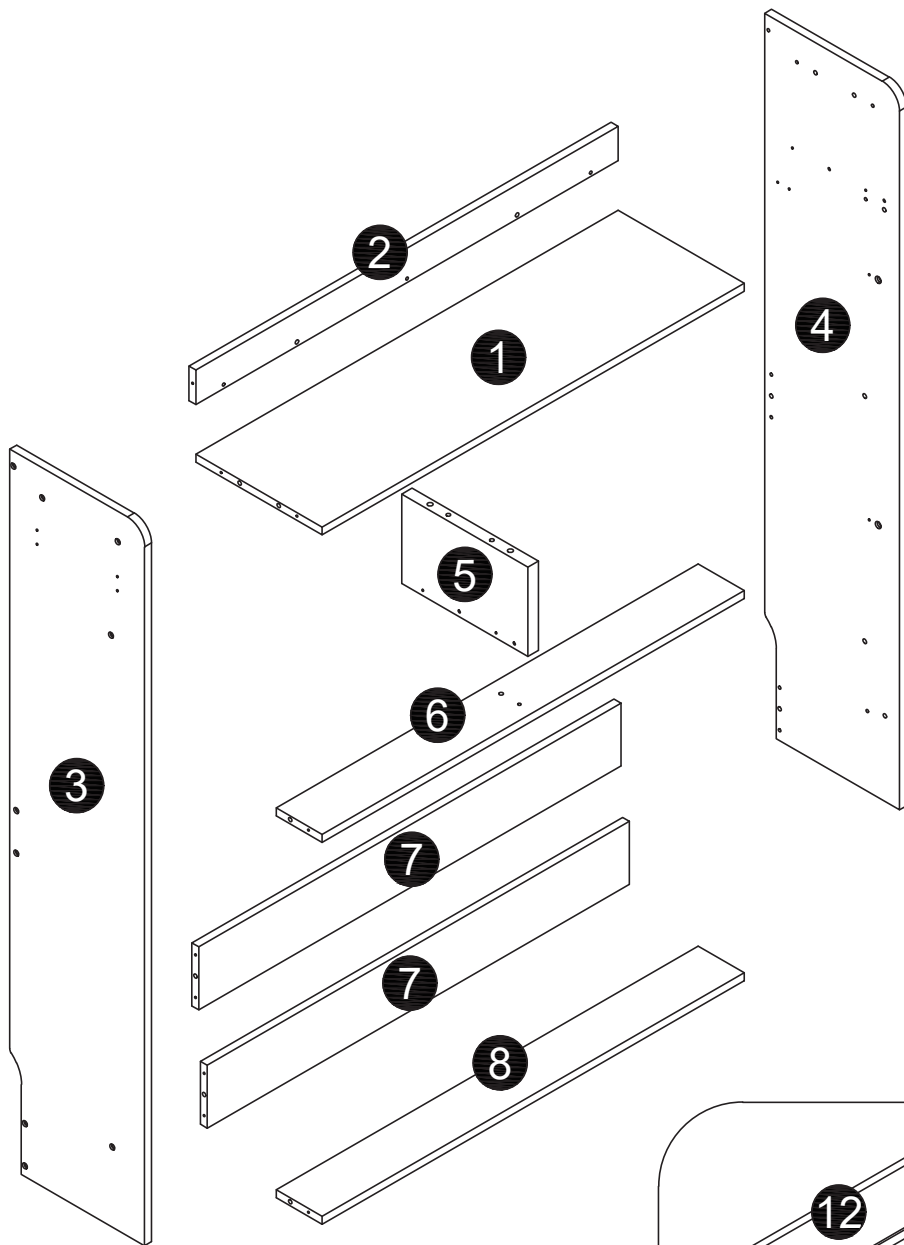


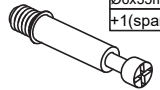

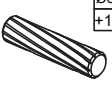
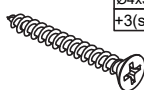
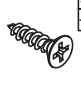

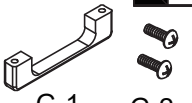



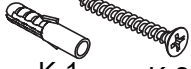

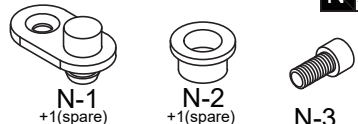

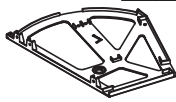
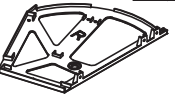
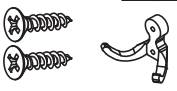
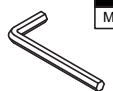
**EN\_Turn** cam lock clockwise to tighten.

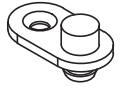

PACKING DETAILS

NO.	PARTS	QTY	SPARE
①		x1	
②		x1	
③		x1	
④		x1	
⑤		x1	
⑥		x1	
⑦		x2	
⑧		x1	
⑨		x2	
⑩		x2	

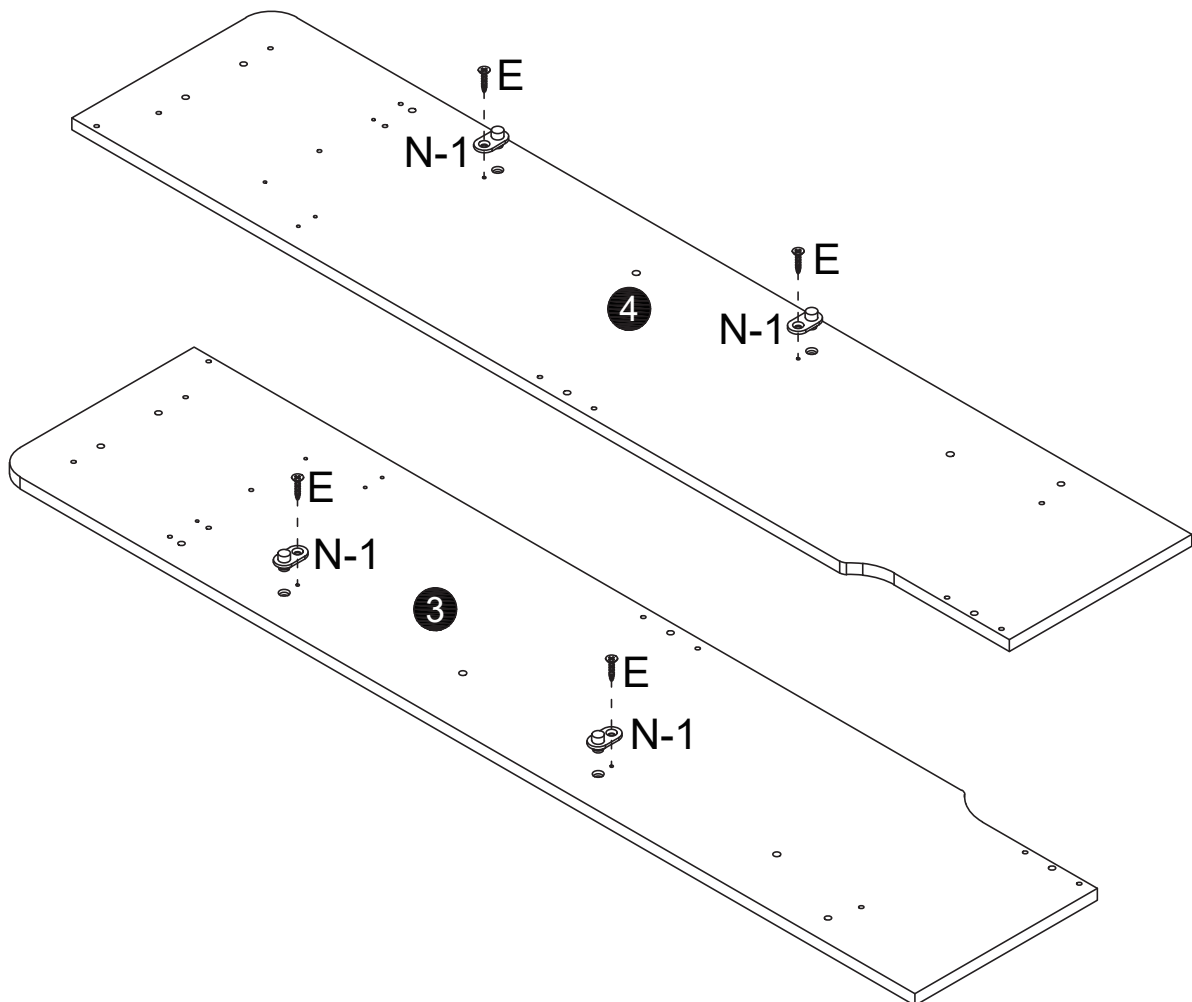
NO.	PARTS	QTY	SPARE
⑪		x2	
⑫		x2	
⑬		x2	
⑭		x2	
⑮		x2	
⑯		x4	

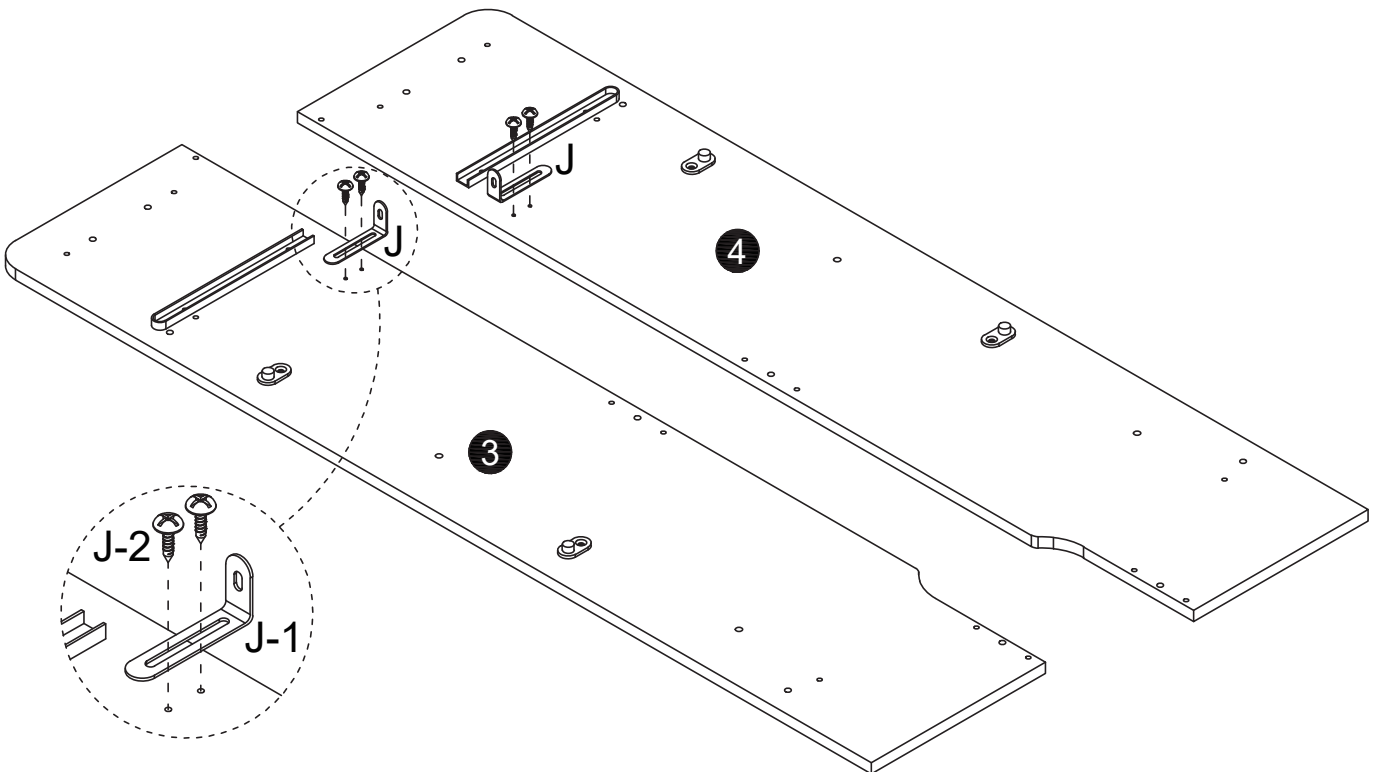
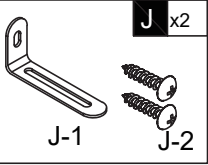
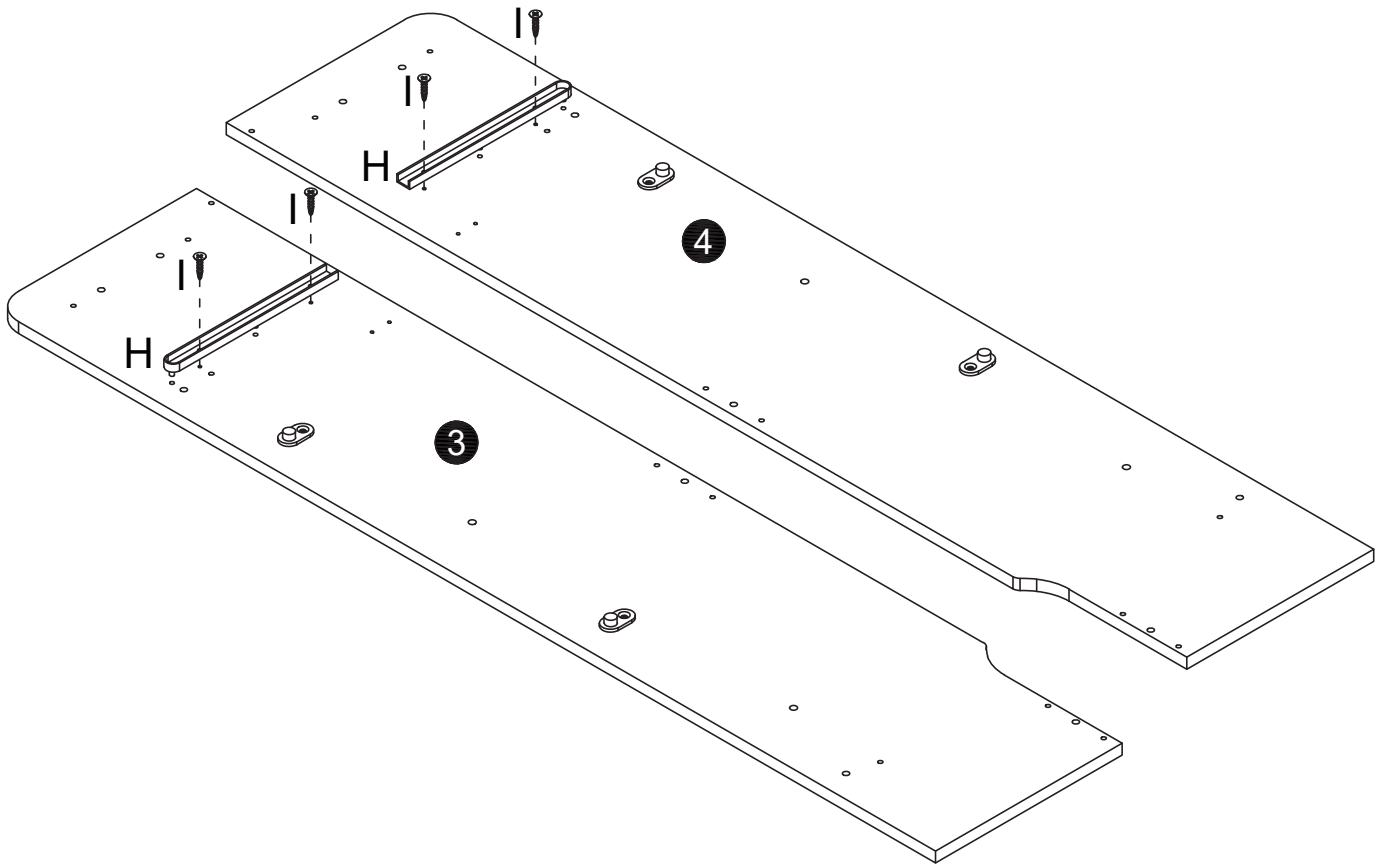
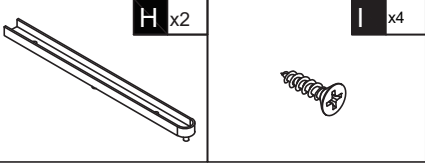


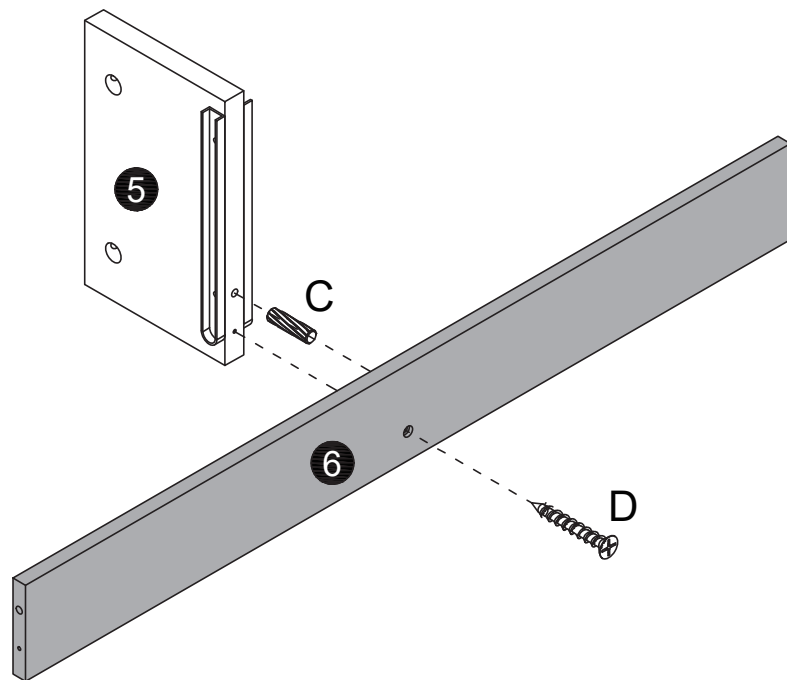
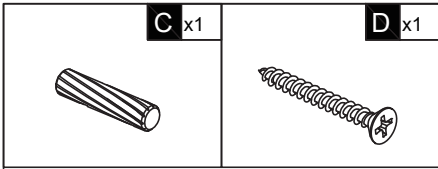
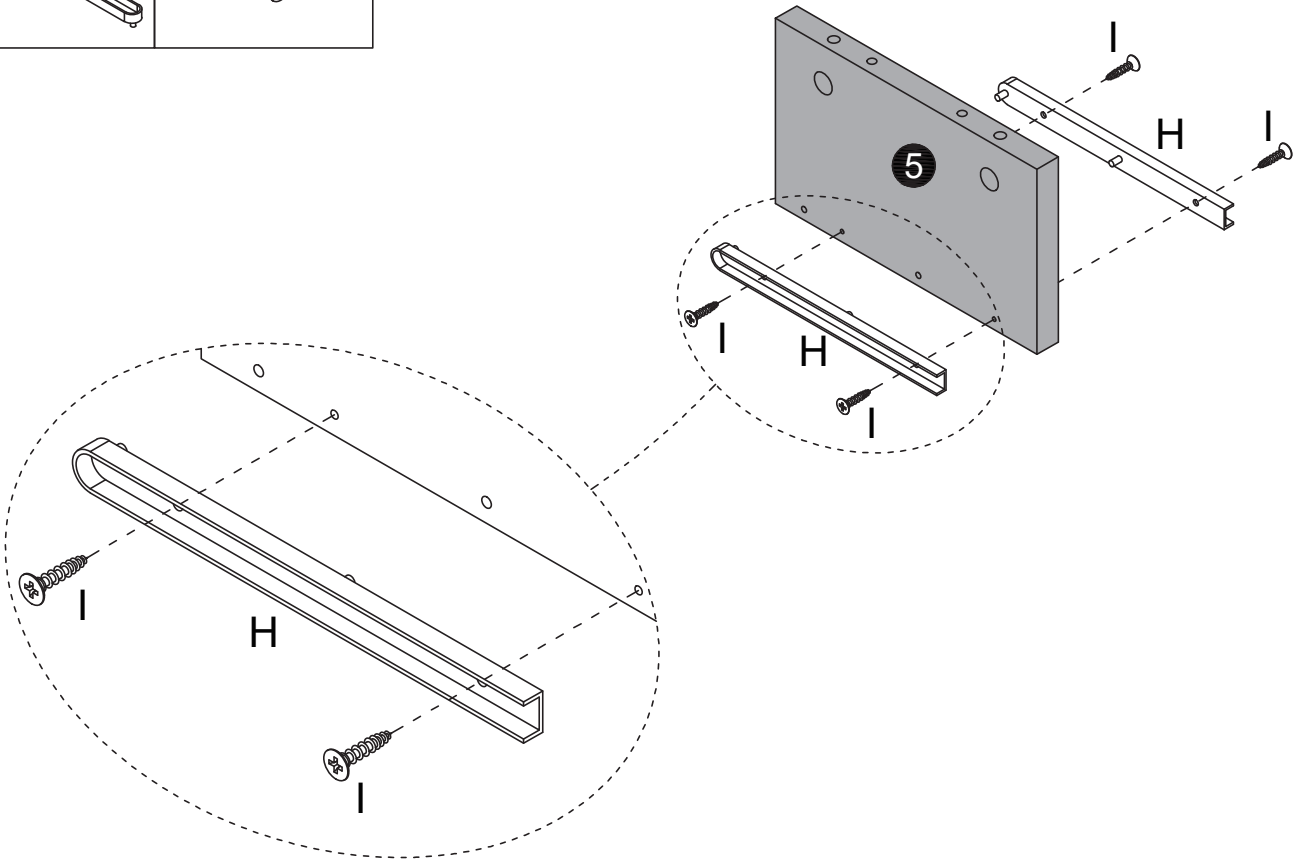
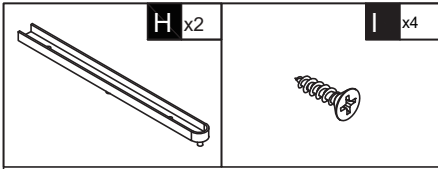
 <p><b>A</b> x10 Ø6x35mm +1(spare)</p>	 <p><b>B</b> x10 Ø15x10mm +1(spare)</p>	 <p><b>C</b> x17 Ø6x30mm +1(spare)</p>	 <p><b>D</b> x30 Ø4x35mm +3(spare)</p>	 <p><b>E</b> x30 Ø3.5x12mm +2(spare)</p>	 <p><b>F</b> x2 F-1 F-2</p>
 <p><b>G</b> x2 G-1 G-2</p>	 <p><b>H</b> x4</p>	 <p><b>I</b> x8 +1(spare)</p>	 <p><b>J</b> x2 Ø4x12mm J-1 J-2</p>	 <p><b>K</b> x2 K-1 K-2</p>	 <p><b>M</b> x22 +4(spare)</p>
 <p><b>N</b> x4 N-1 +1(spare) N-2 +1(spare) N-3</p>	 <p><b>O</b> x2</p>	 <p><b>L</b> x2</p>	 <p><b>R</b> x2</p>	 <p><b>P</b> x2 P-1 P-2</p>	
 <p><b>Q</b> x1 M5</p>					

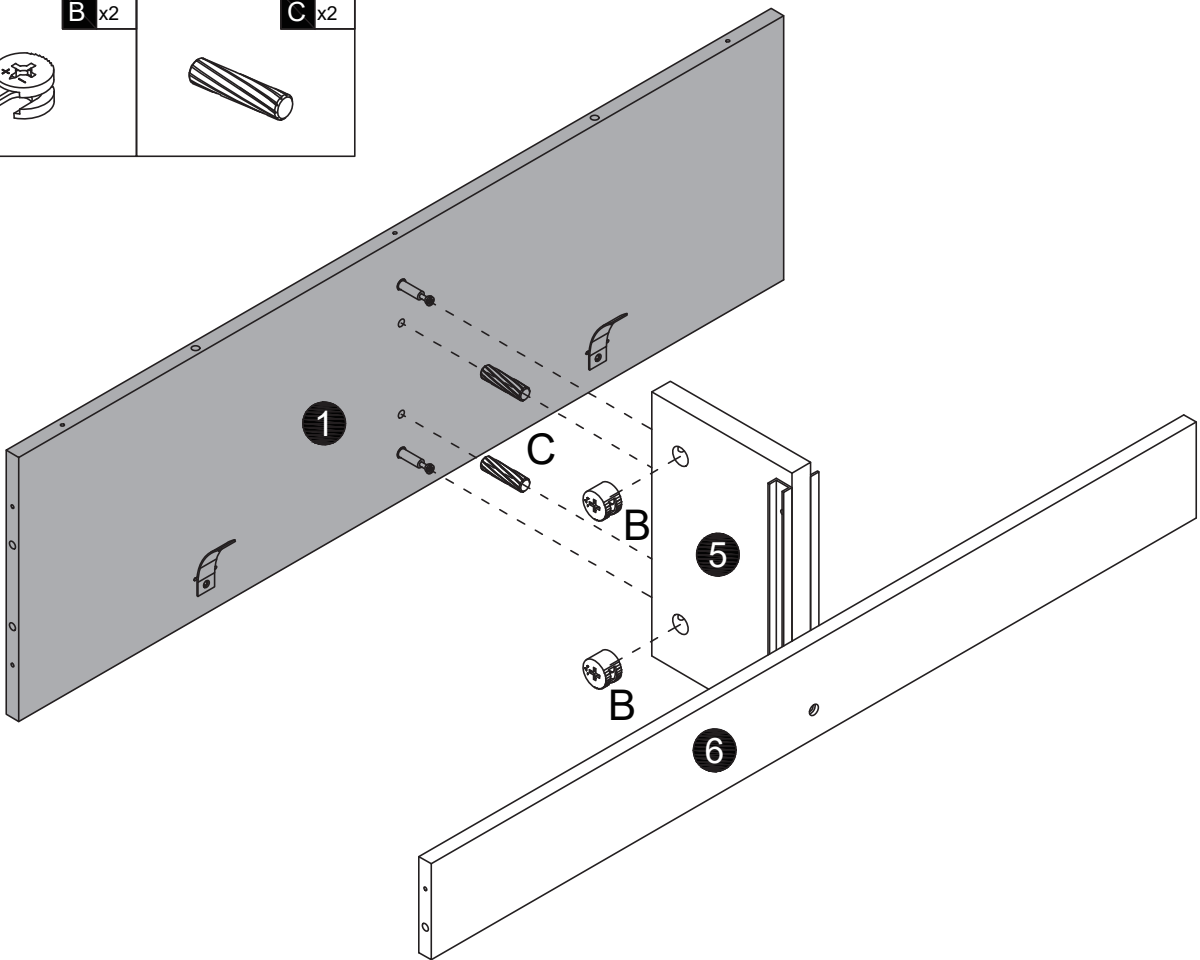
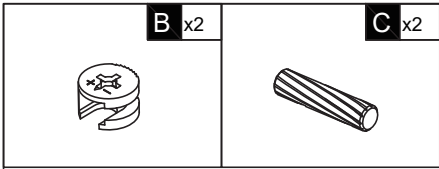
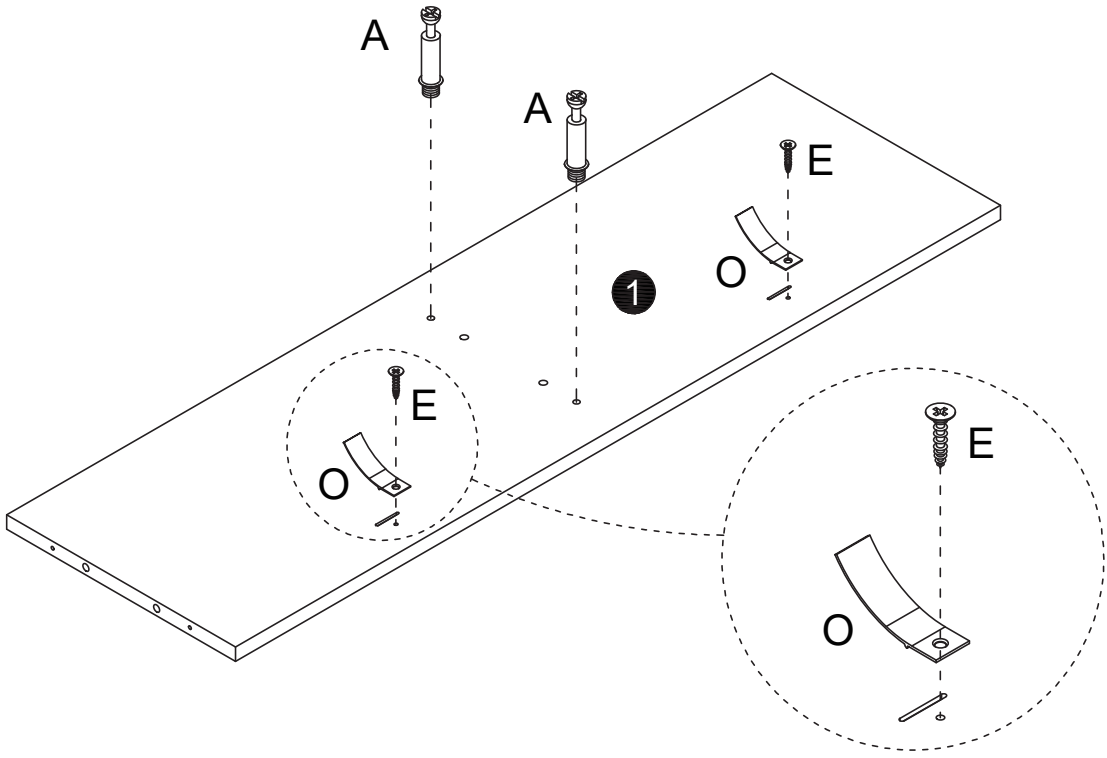
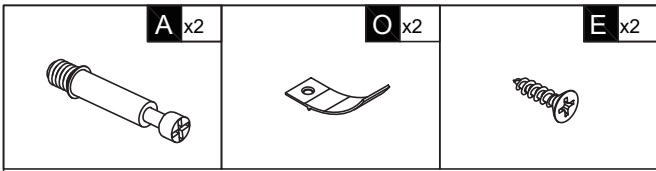
 <p><b>N</b> x4 N-1</p>	 <p><b>E</b> x4</p>
---	---

**01**



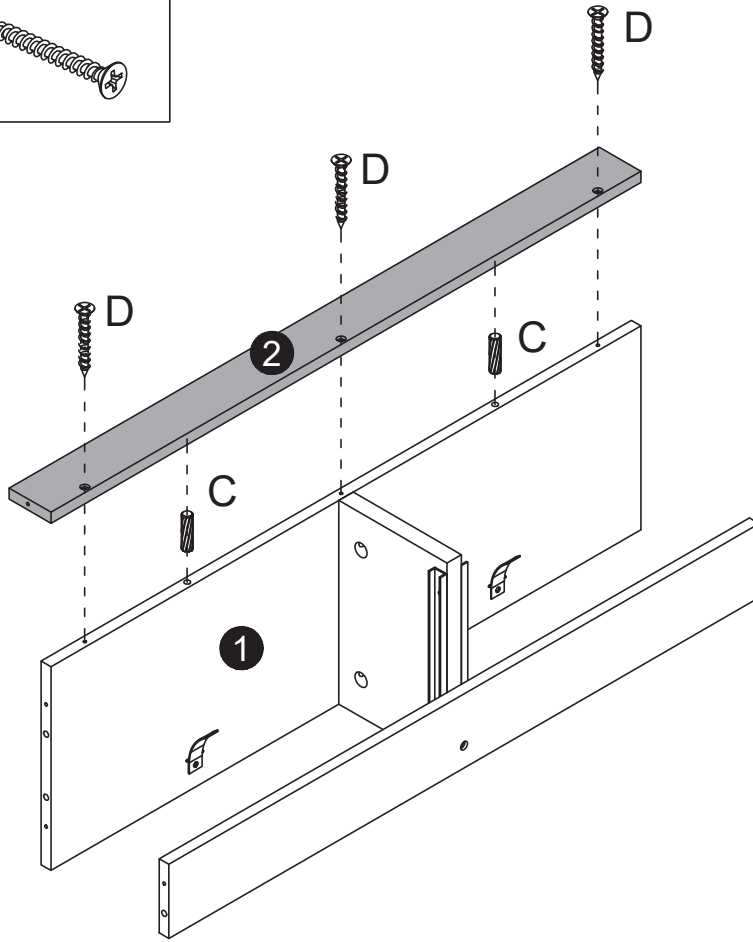
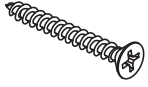






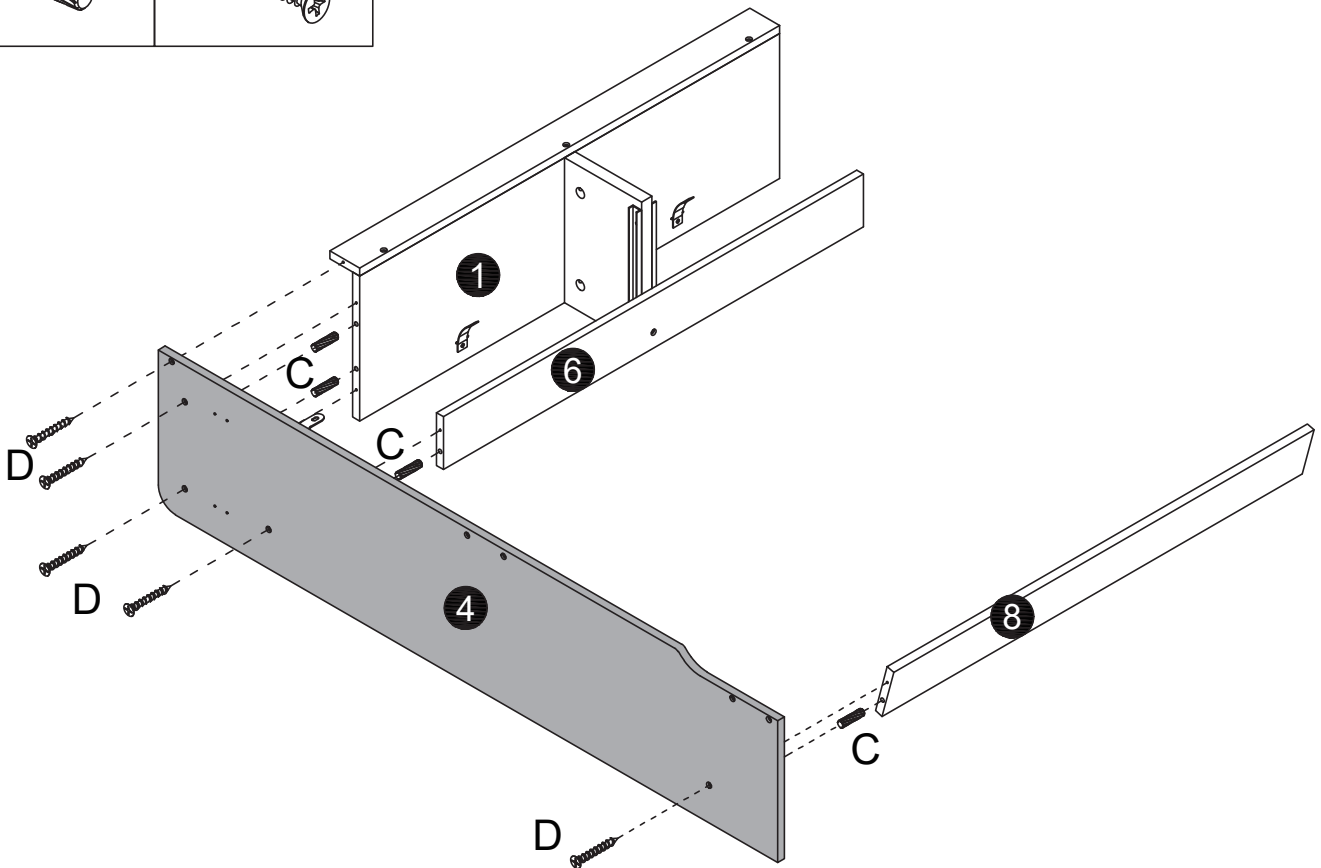
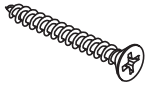
C x2

D x3



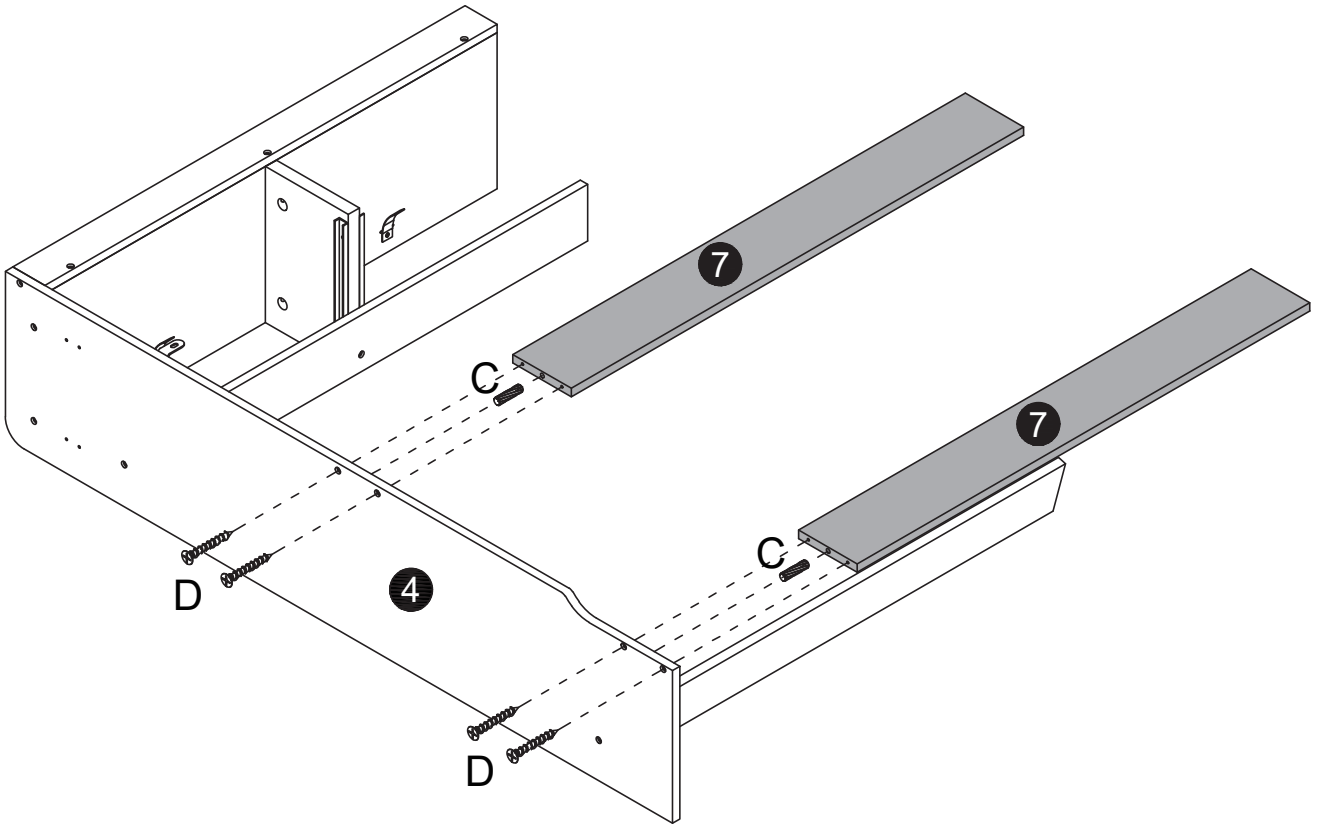
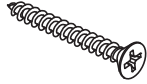
C x4

D x5



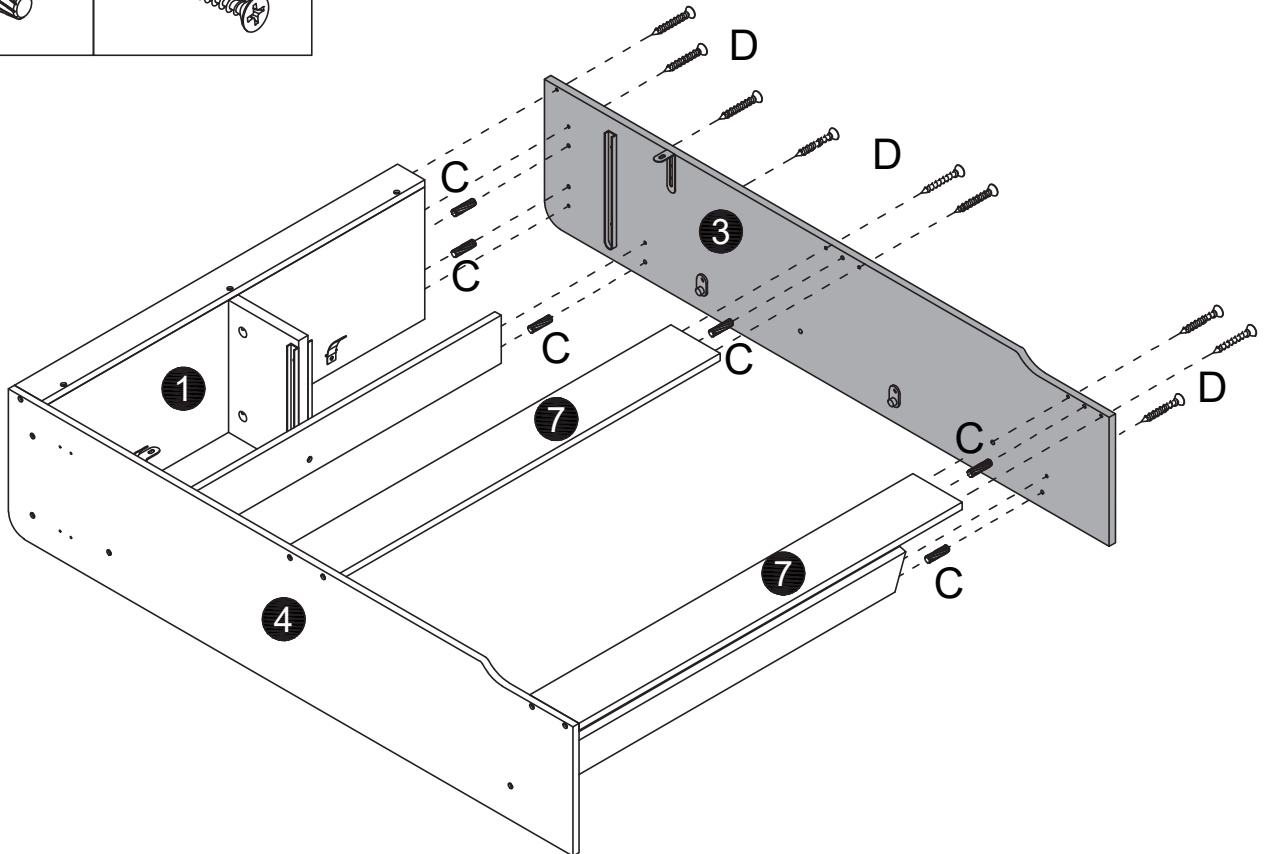
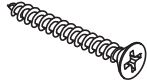
C x2

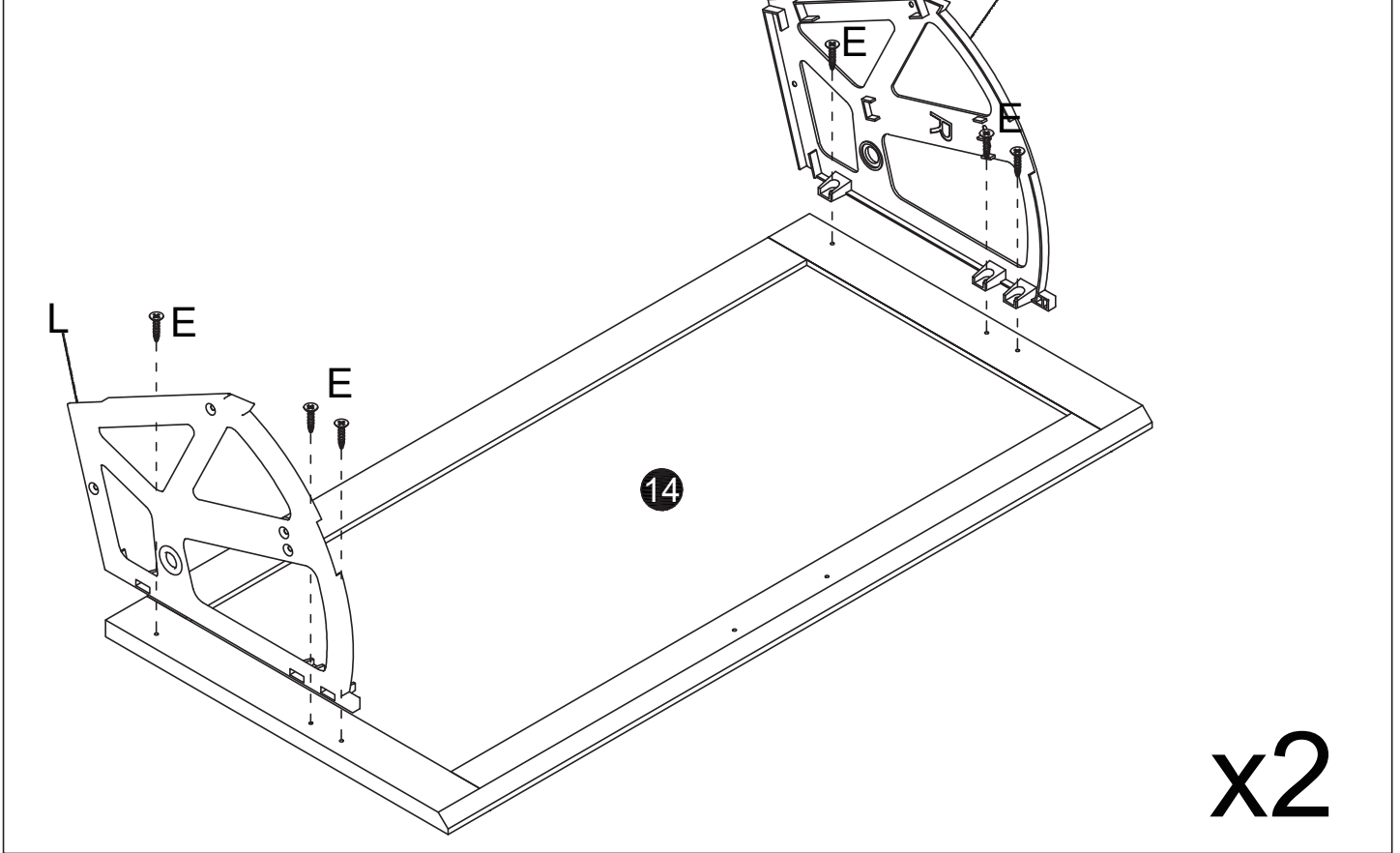
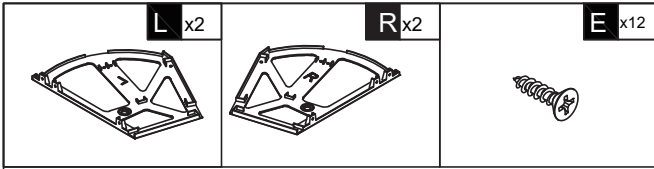
D x4



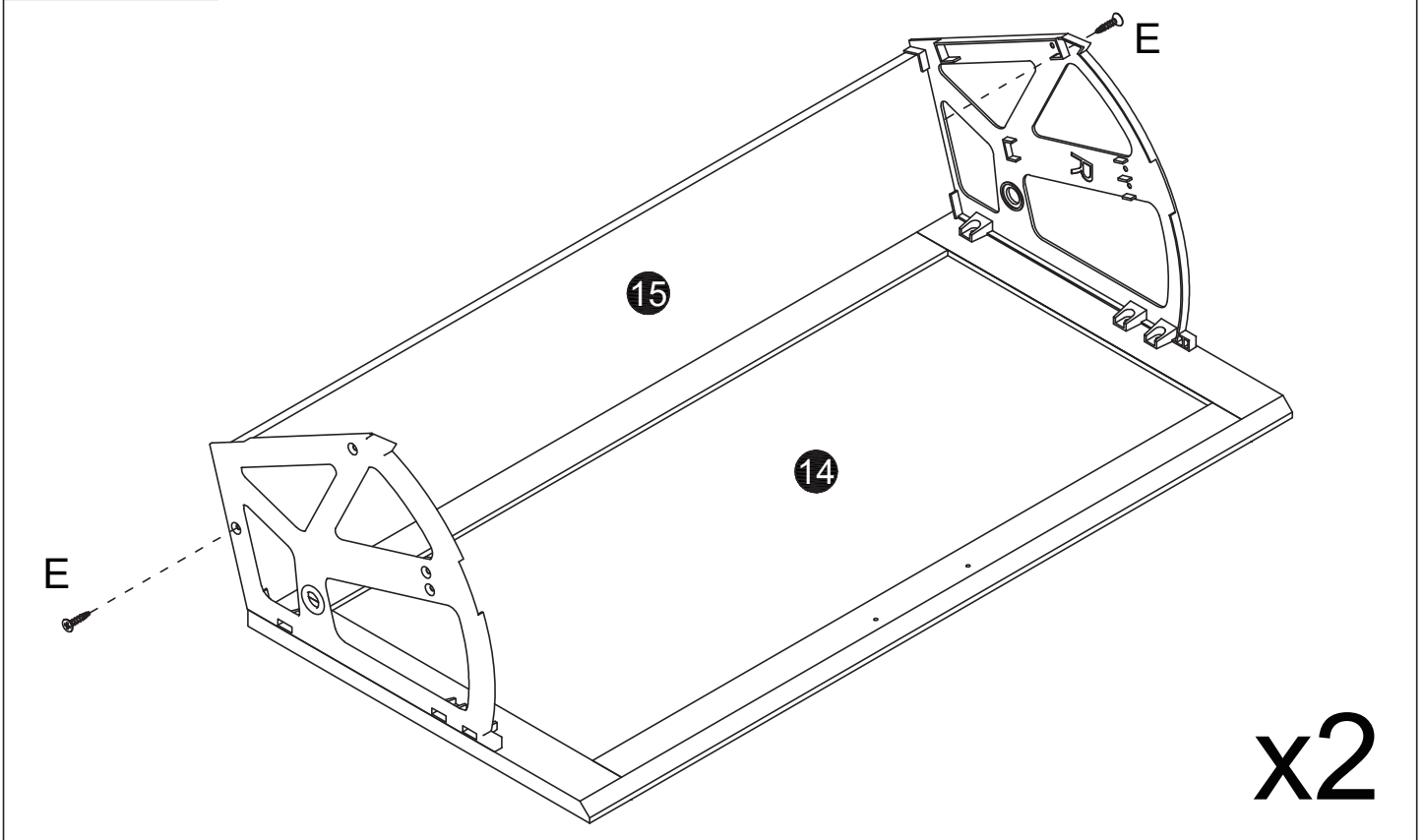
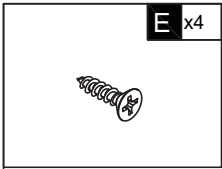
C x6

D x9





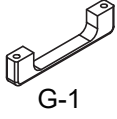
x2



x2

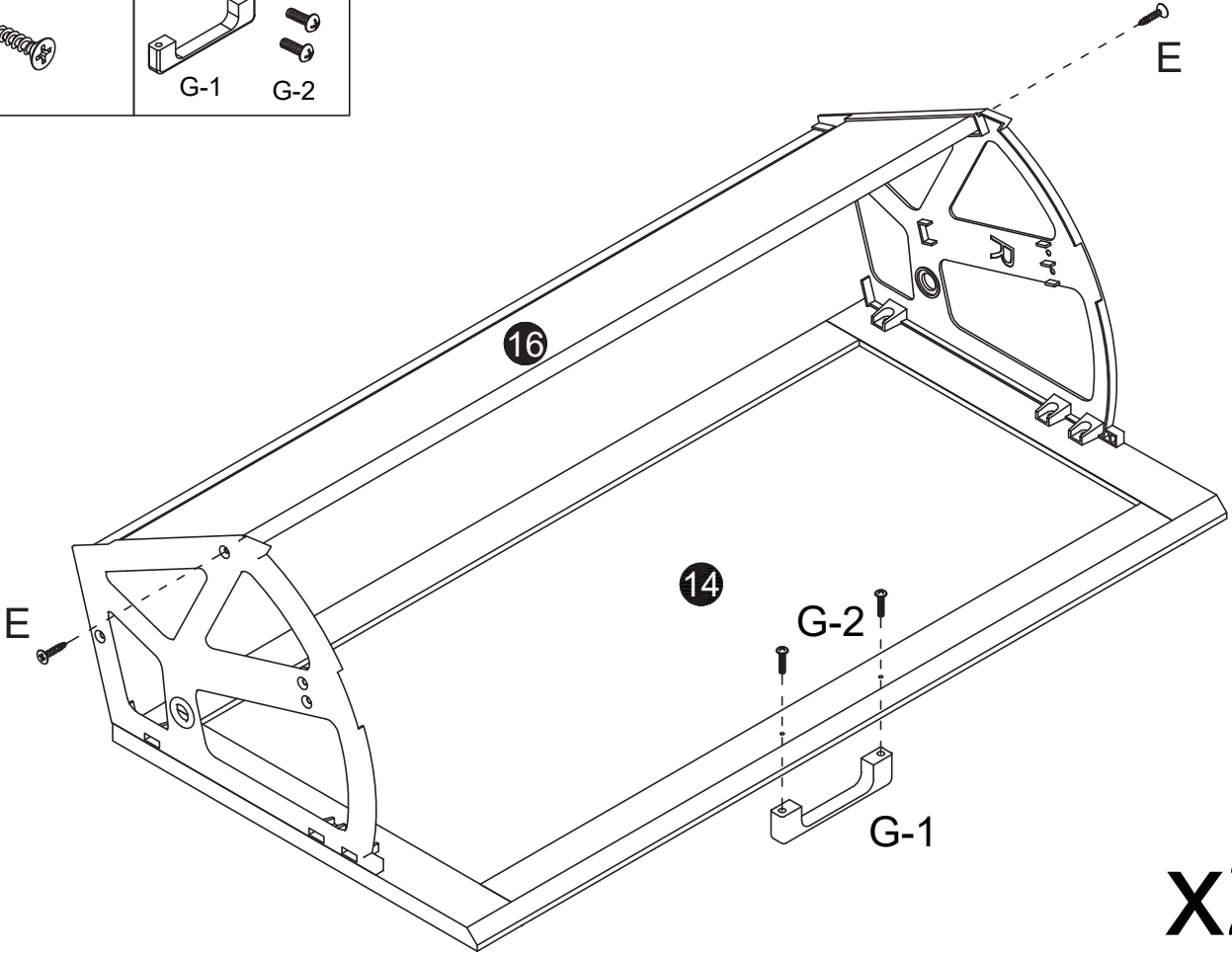
E x4

G x2



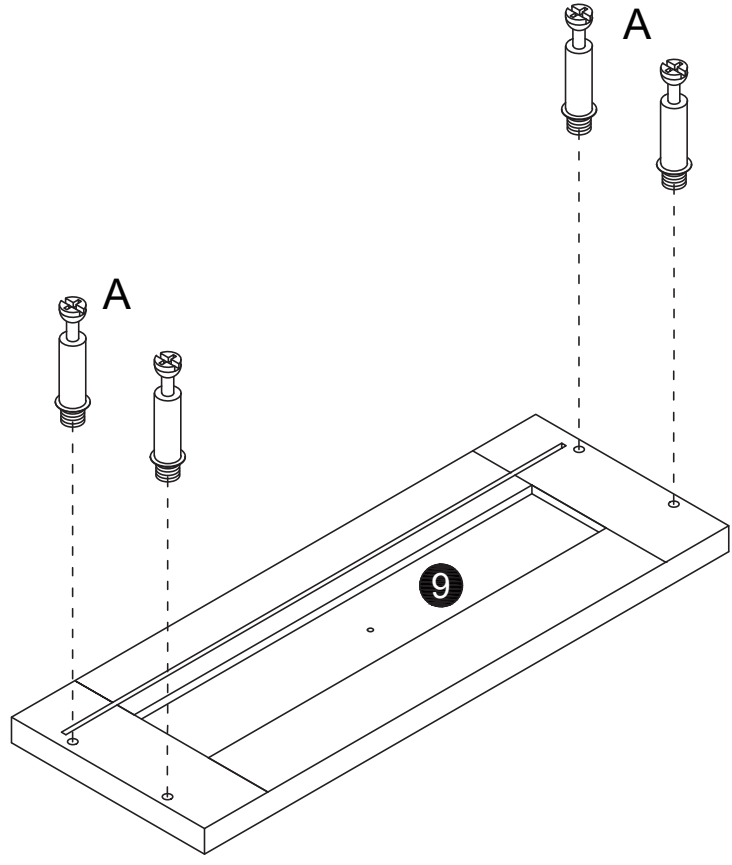
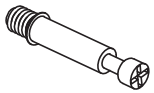
G-1

G-2



x2

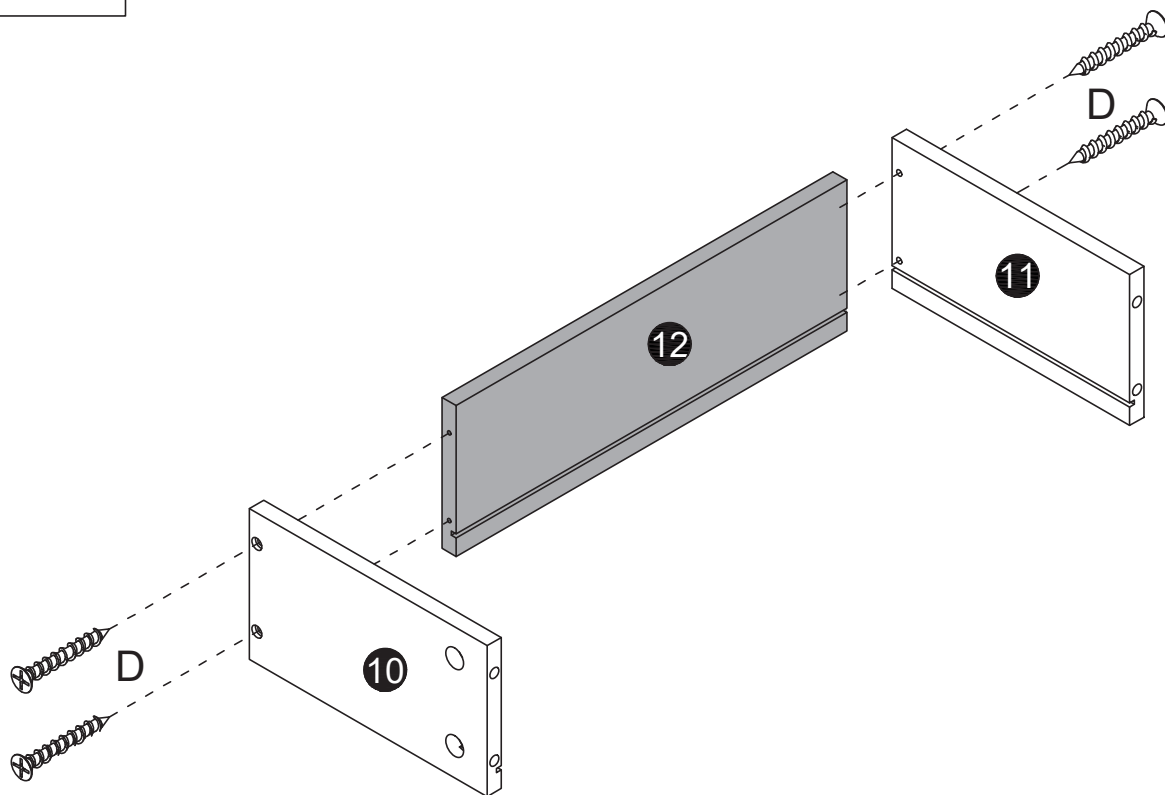
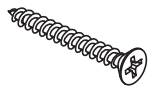
A x8



x2

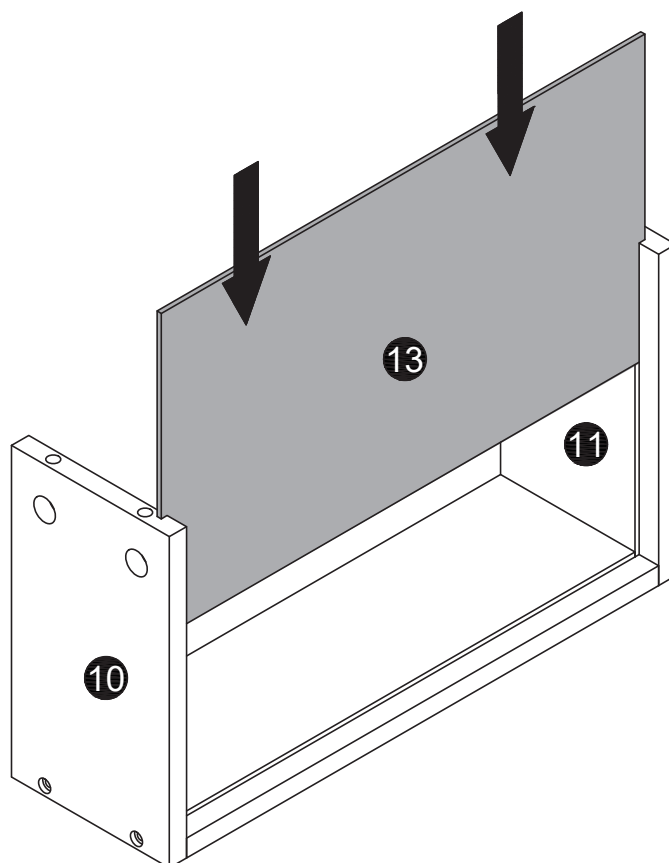
D x8

16



x2

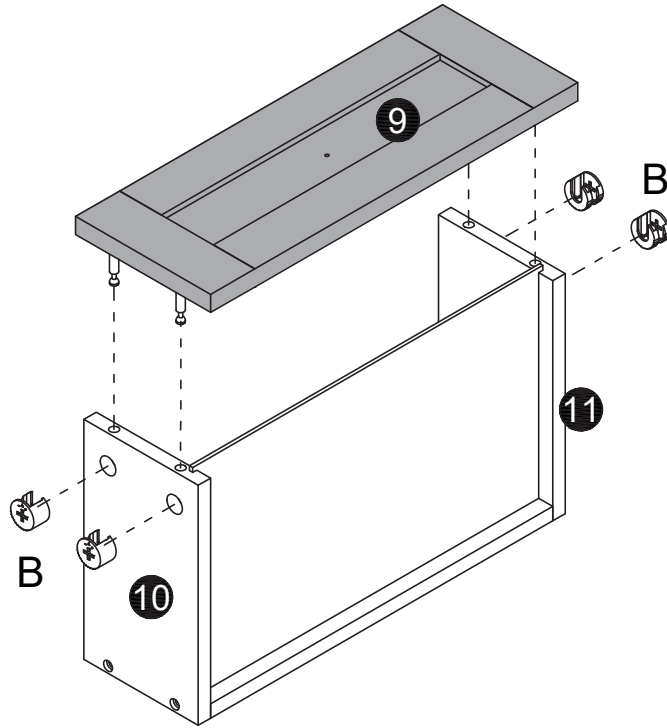
17



x2

B x8

18



x2

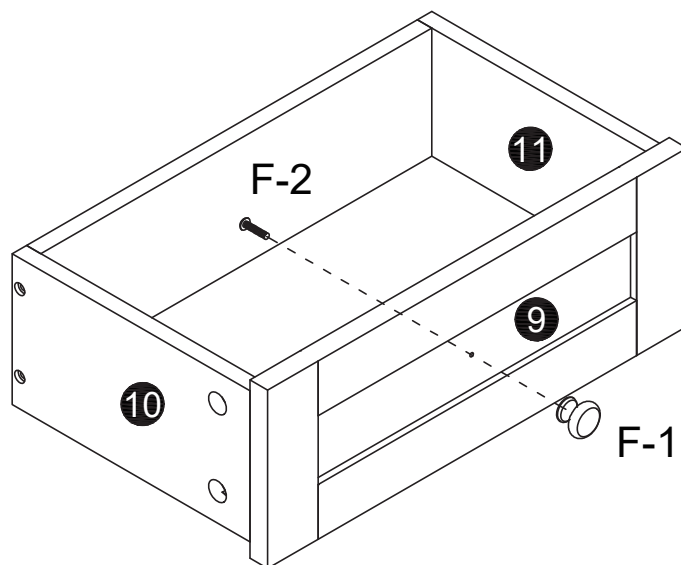
F x2

19



F-1

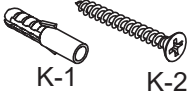
F-2



x2

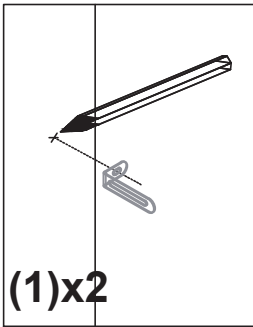
K x2

M x18



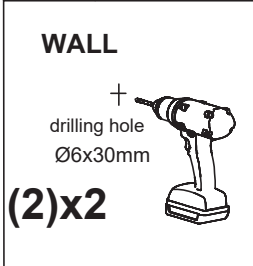
K-1

K-2



(1)x2

then, use a ruler to measure the approximate height of the product on the wall, and then mark it with a pen.

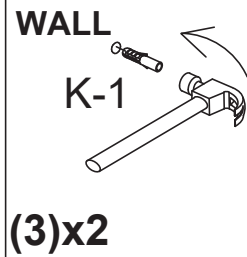


WALL

+  
drilling hole  
Ø6x30mm

(2)x2

Then use a tape drill to make holes in the wall that are suitable for the product screws.

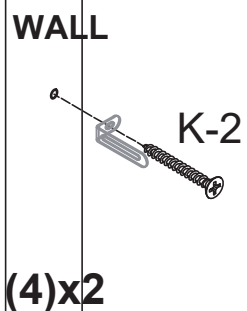


WALL

K-1

(3)x2

Then, put the expansion bolt into the hole

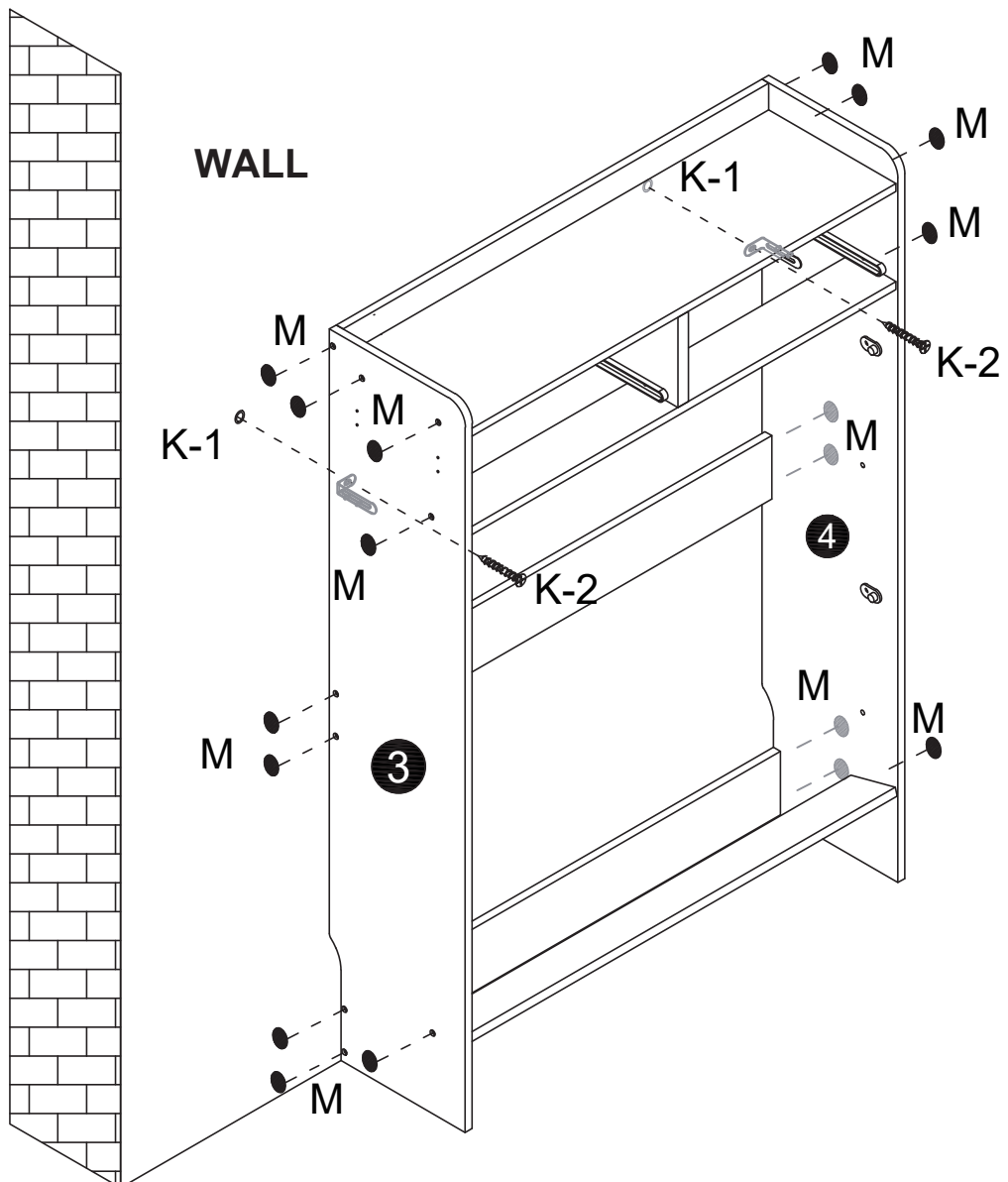


WALL

K-2

(4)x2

Finally, pass the matching screws through the "anti-rewind" and tighten them to fix them on the wall.





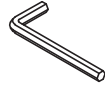
N-2



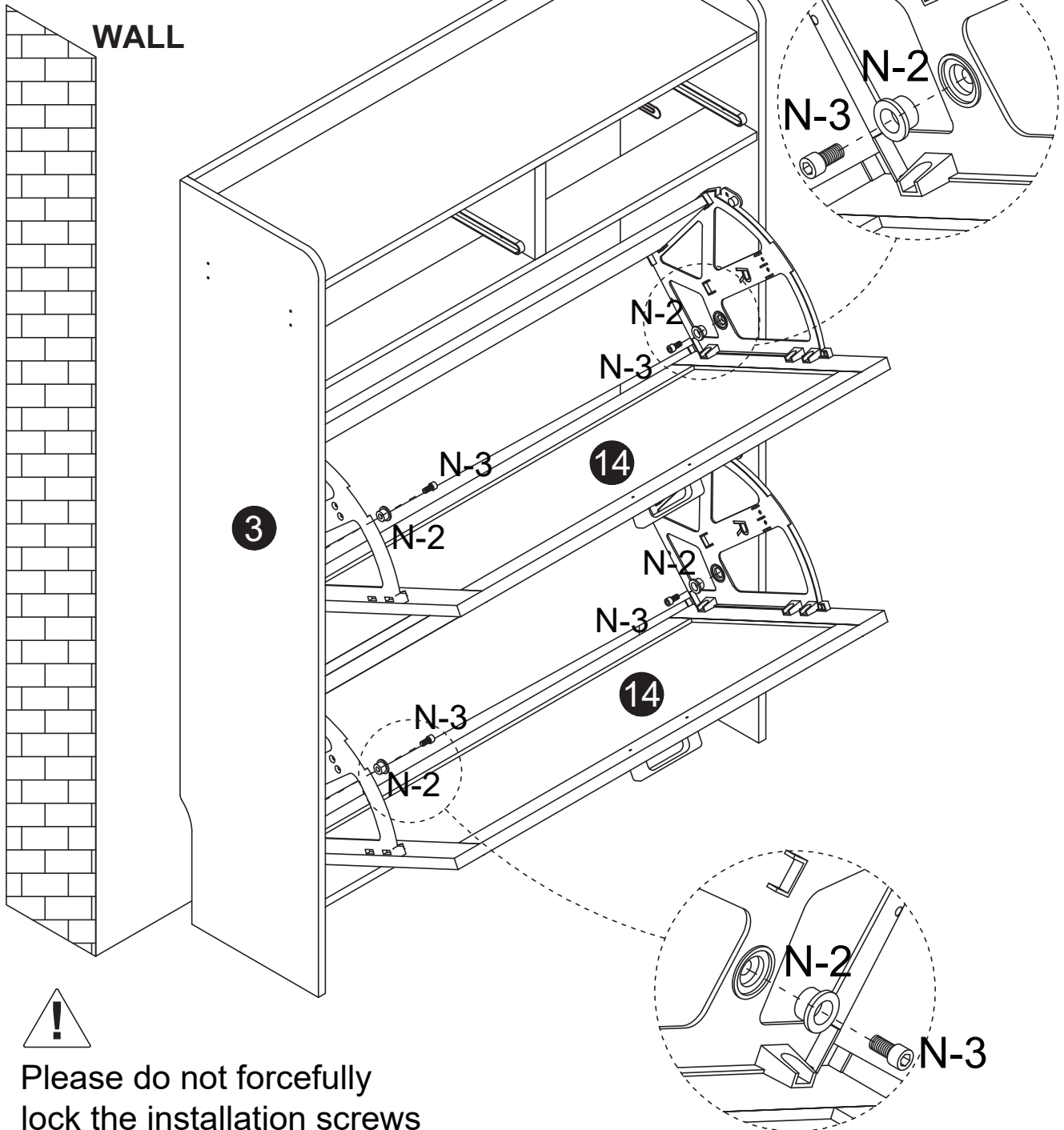
N-3

N x4

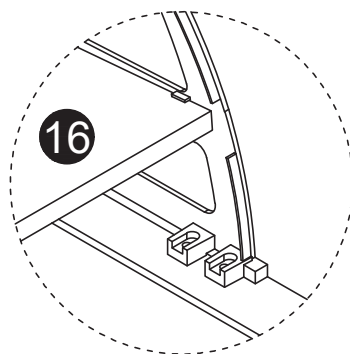
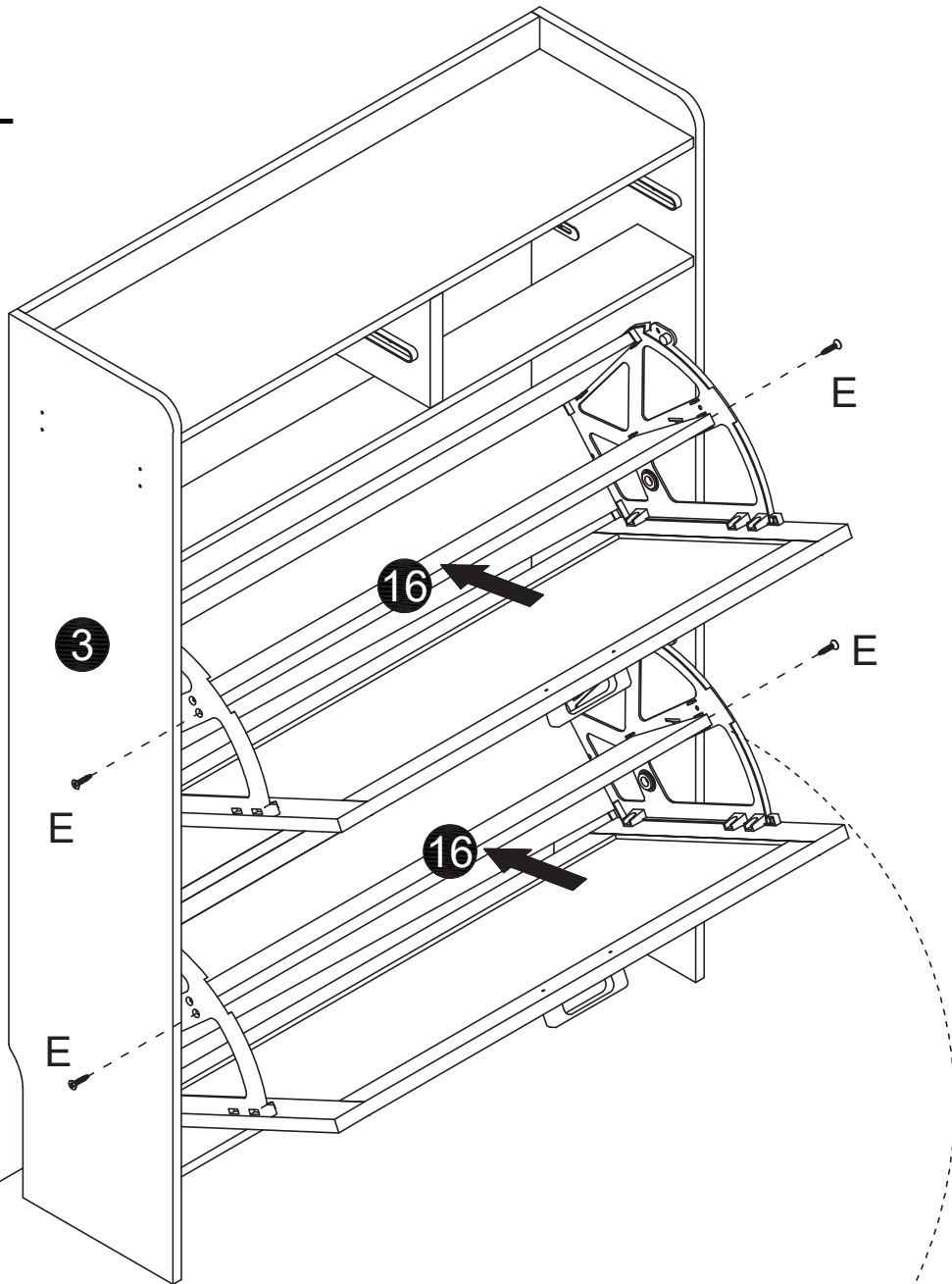
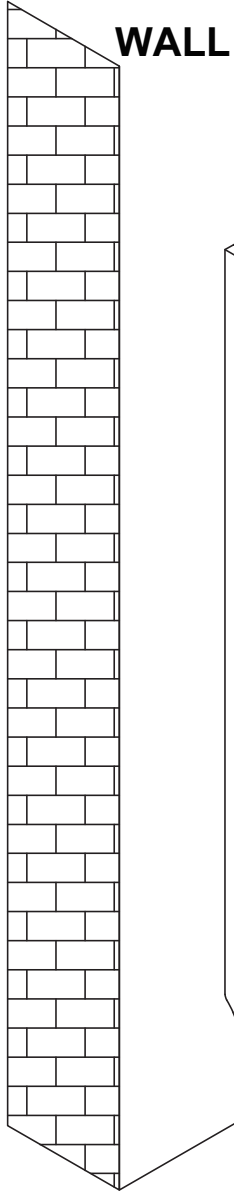
Q x1



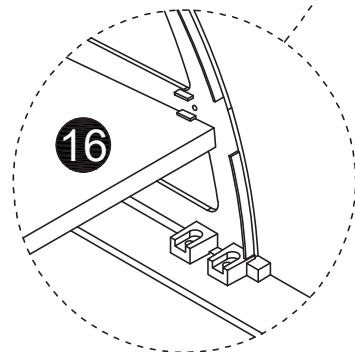
If the installation cannot be placed in the correct position, please try operating at other inclined angles.

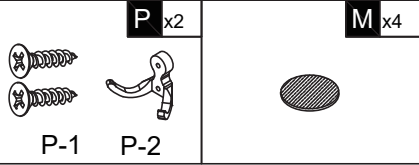


Please do not forcefully lock the installation screws to the maximum limit to avoid damaging the side panel.

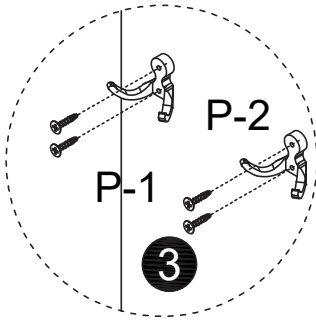
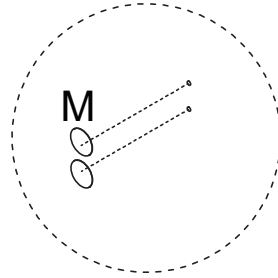


OR

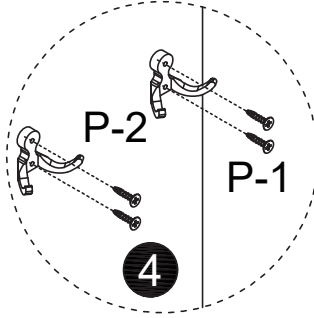




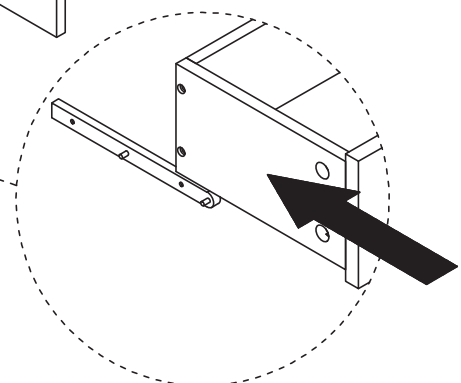
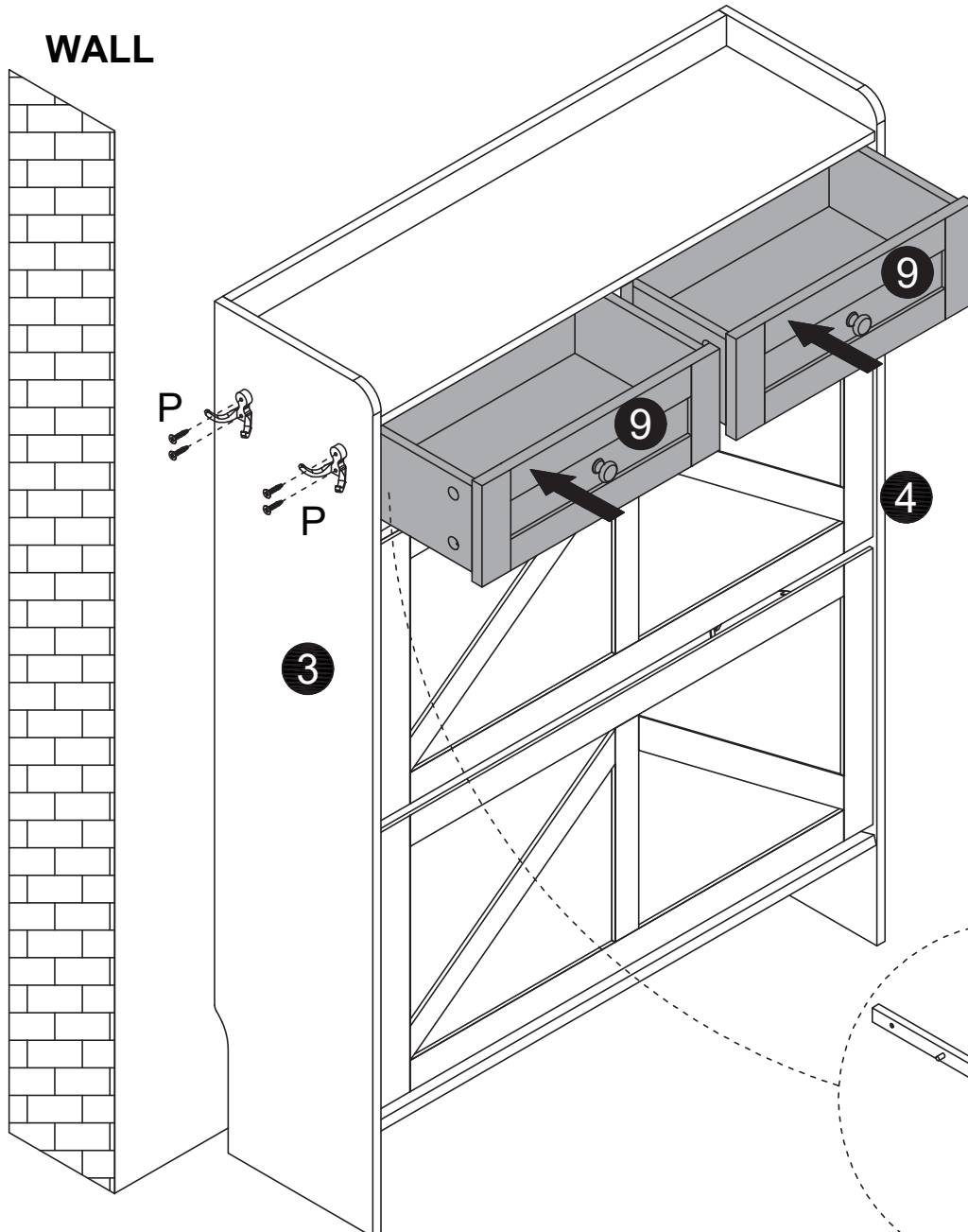
Component P can be freely installed on either panel 3 or panel 4.  
The excess holes are allowed to be covered by component M.



OR



WALL



WALL

