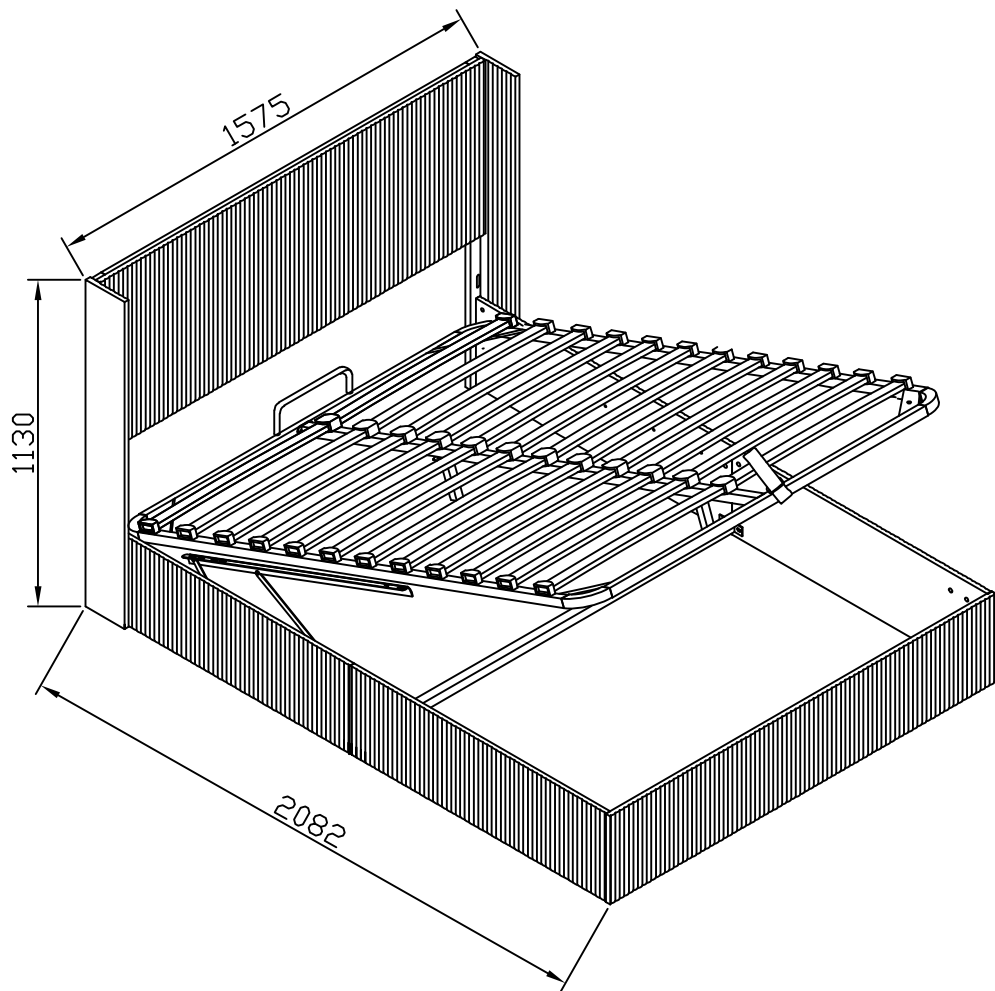


Installation & Assembly

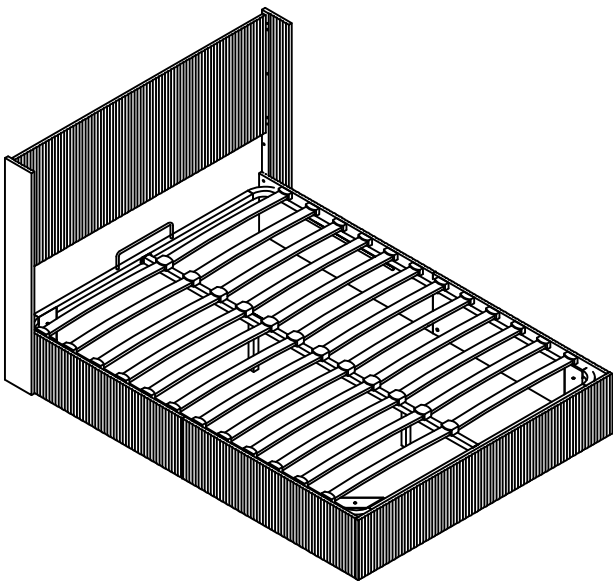


TIPS

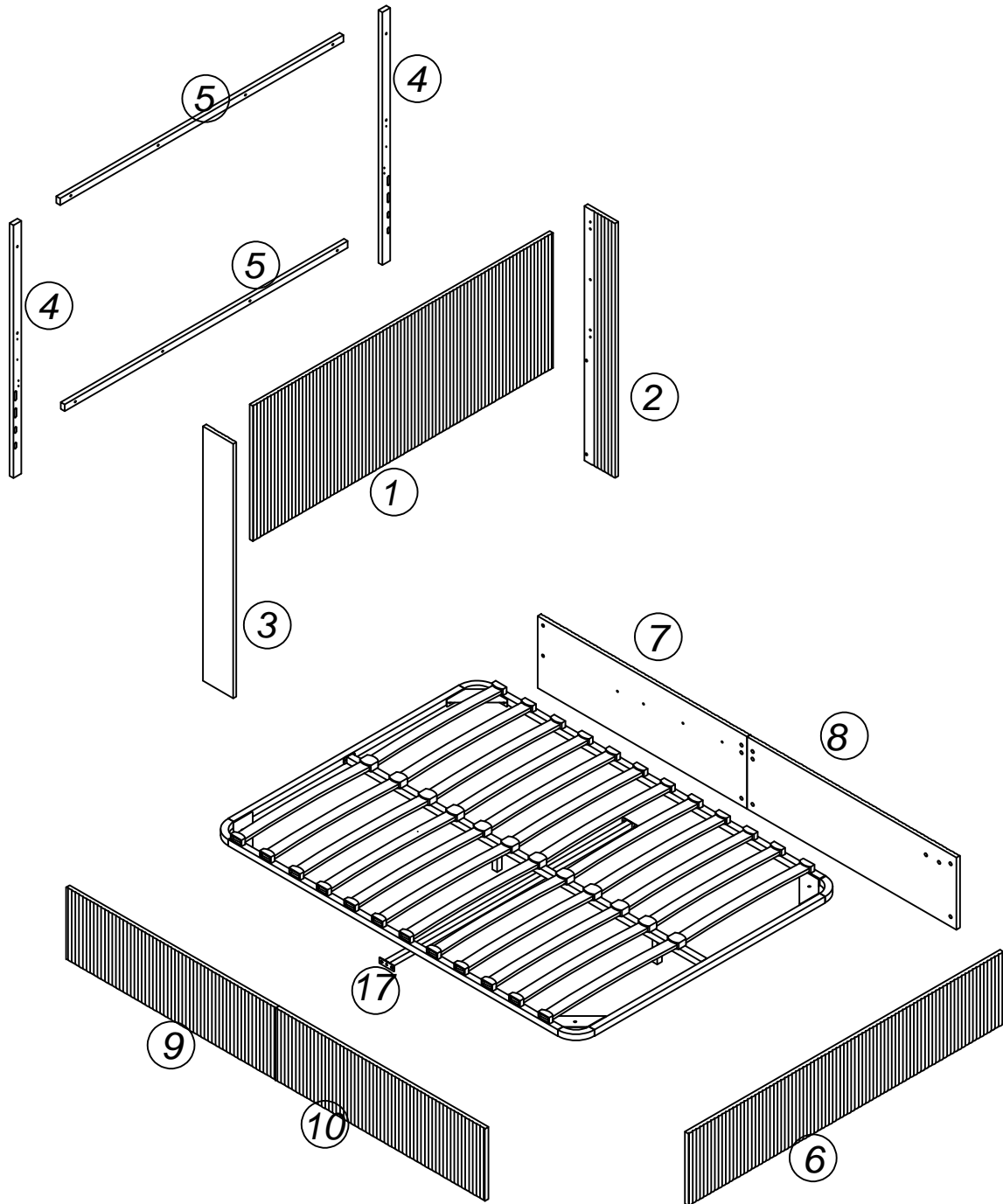
1. Please read the instructions fully before assembly. These instructions include important information which could ensure correct assembly. We have been working on providing high quality products for you. However, in the rare instance that your product is defective, missing parts or there are some issues, please don't hesitate to contact our customer service to submit parts requirements, assembly suggestion or warranty claims, and we will give the best solution as soon as possible. If necessary, we need you to provide some more clear pictures of the issue.

2. Insert the screws in hole and tighten the screws, but not too tight, 70%~80% is ok, finally tighten all the screws. If some issues happened that some screws cannot target to the hole or some parts are difficult to install, please adjust the tightness of the screws.

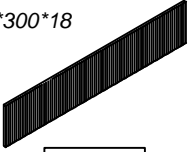
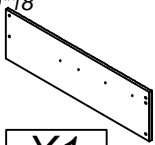
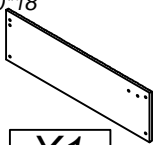
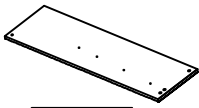
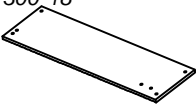
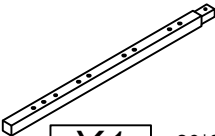
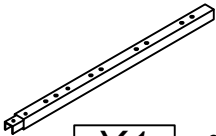
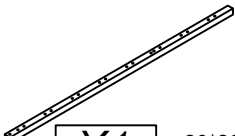
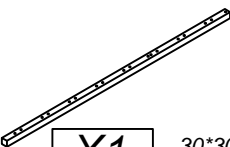
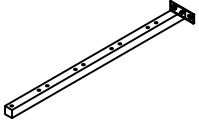
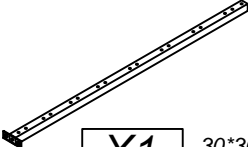
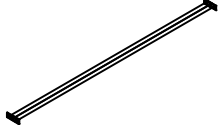
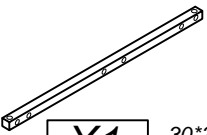
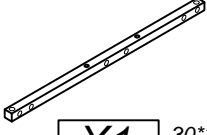
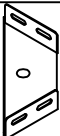

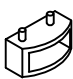

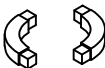

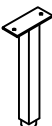

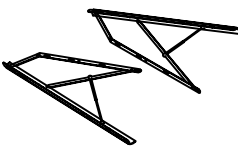

3. 2 people are recommended to finish




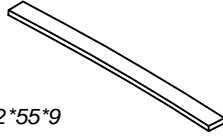







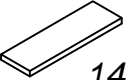
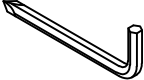




Components

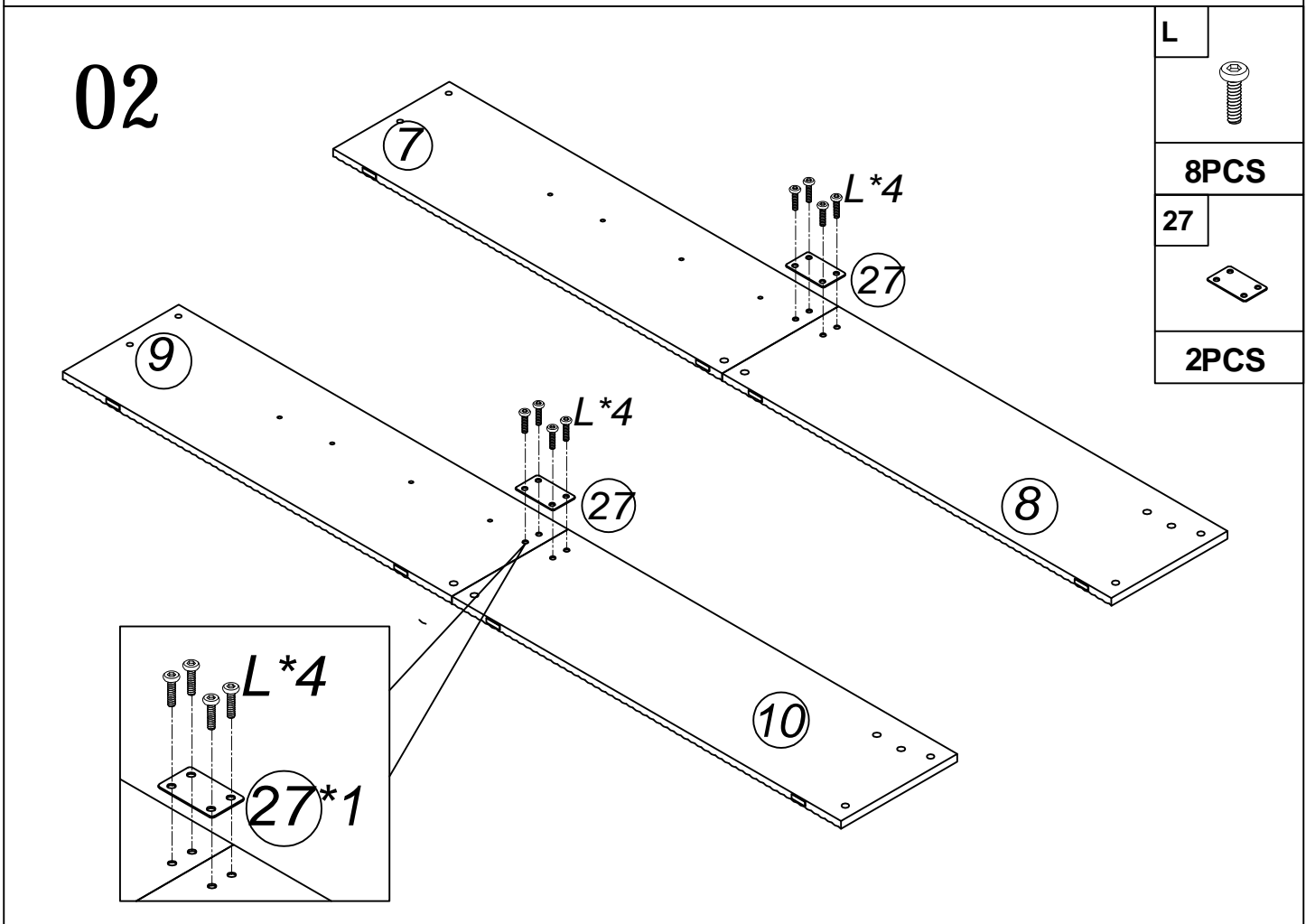
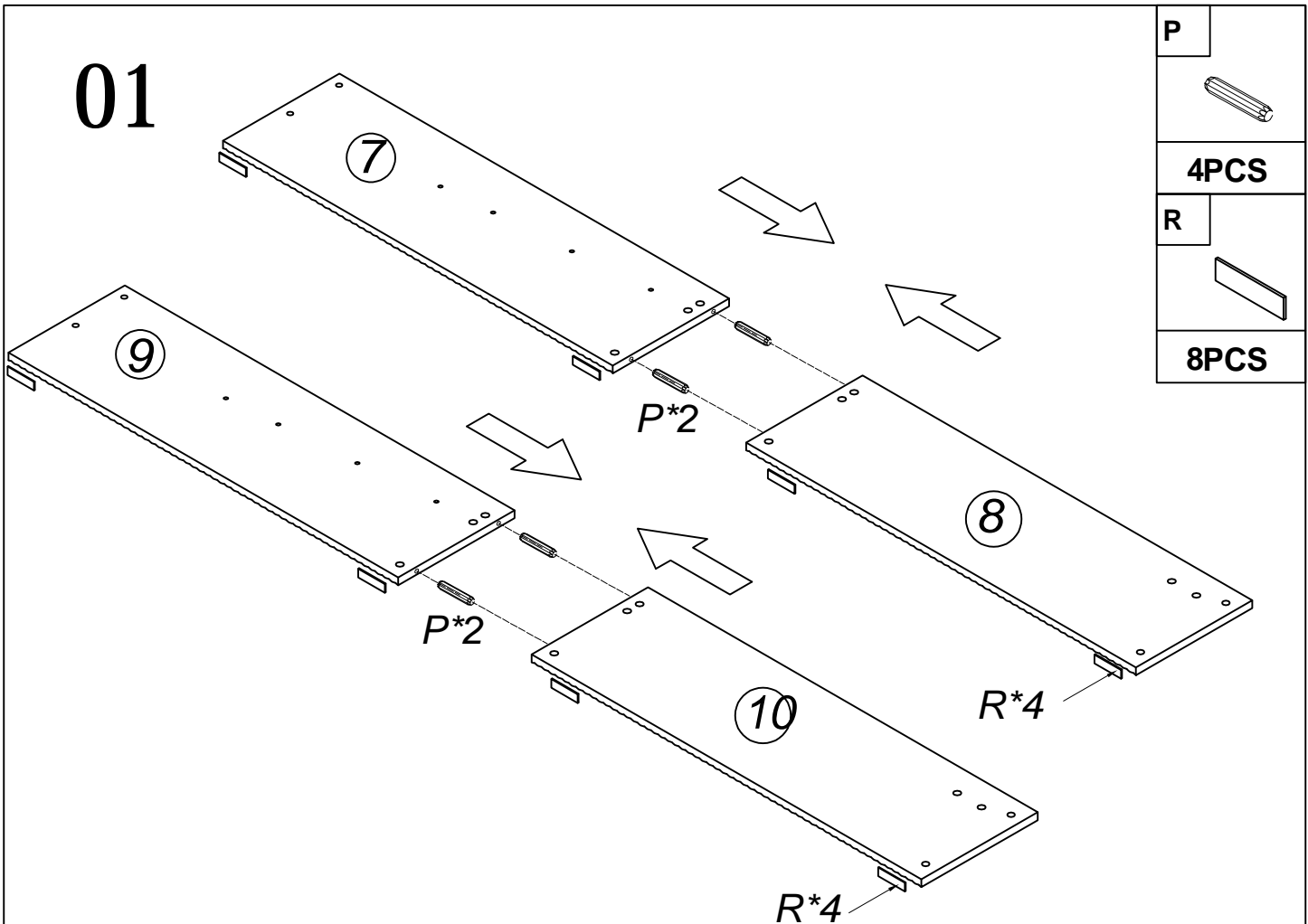


Hardware

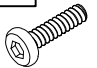
<p>6</p> <p>1533*300*18</p>  <p>X1</p>	<p>7</p> <p>1022*300*18</p>  <p>X1</p>	<p>8</p> <p>1022*300*18</p>  <p>X1</p>	<p>9</p> <p>1022*300*18</p>  <p>X1</p>
<p>10</p> <p>1022*300*18</p>  <p>X1</p>	<p>11</p>  <p>X1</p> <p>30*30*683</p>	<p>12</p>  <p>X1</p> <p>30*30*683</p>	<p>13</p>  <p>X1</p> <p>30*30*1270</p>
<p>14</p>  <p>X1</p> <p>30*30*1270</p>	<p>15</p>  <p>X1</p> <p>30*30*670</p>	<p>16</p>  <p>X1</p> <p>30*30*1290</p>	<p>17</p>  <p>X1</p> <p>30*30*1503</p>
<p>18</p>  <p>X1</p> <p>30*30*1380</p>	<p>19</p>  <p>X1</p> <p>30*30*1380</p>	<p>20</p>  <p>X6</p>	<p>21</p>  <p>X1</p> <p>70*28*2.5</p>
<p>22</p>  <p>X26</p>	<p>23</p>  <p>X13</p>	<p>24</p>  <p>X4</p>	<p>25</p>  <p>X1</p> <p>100*30.5*282</p>
<p>26</p>  <p>X1</p> <p>90*30*252</p>	<p>27</p>  <p>X2</p> <p>77*56*2.75</p>	<p>28</p>  <p>X1</p>	<p>29</p>  <p>X1</p>

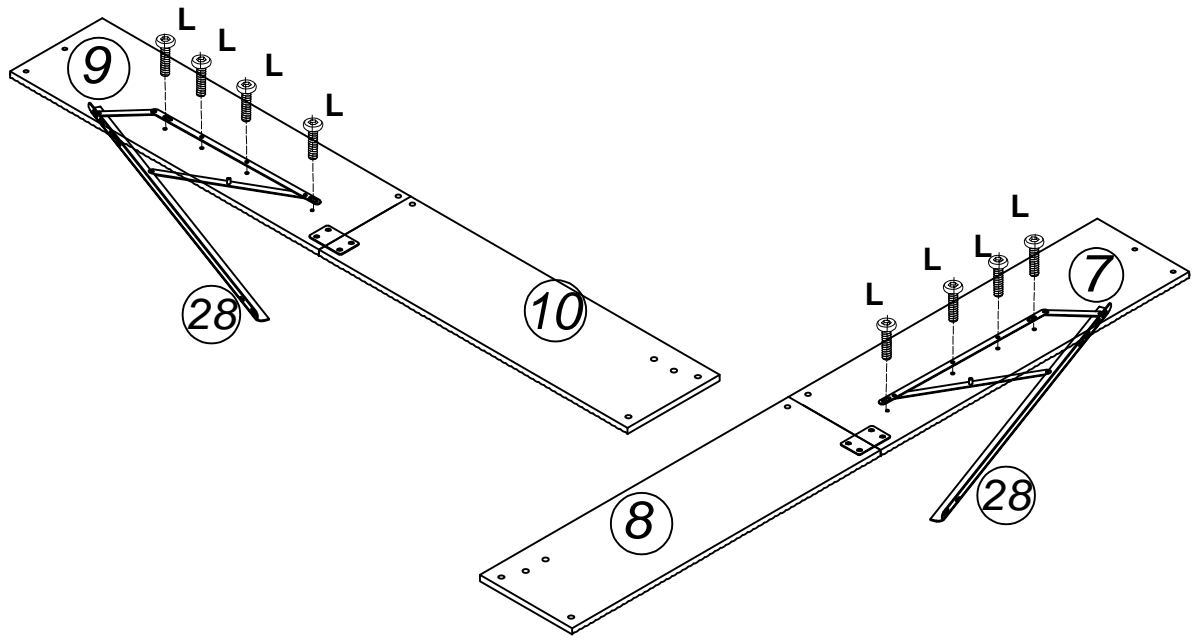
Hardware

30		31			
					
X1		732*55*9 X24			
K	L	M	N	O	
					
M6x45 X11	M6x15 X58	M6 X12	X4	X4	
P	Q	R	S	T	
					
Ø8x30 X8	M8x15 X2	14x100 X13	X1	X1	
U	I	J			
					
X26	X4	M8x50 X4			




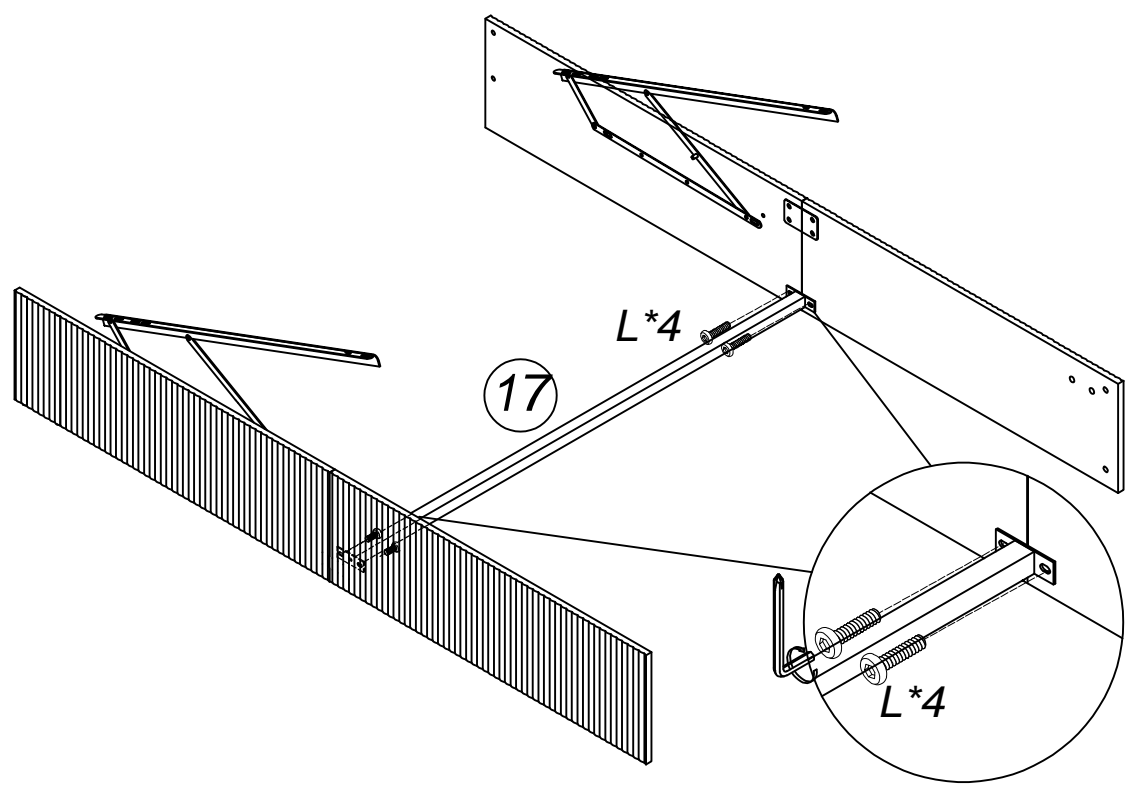
03

L

8PCS

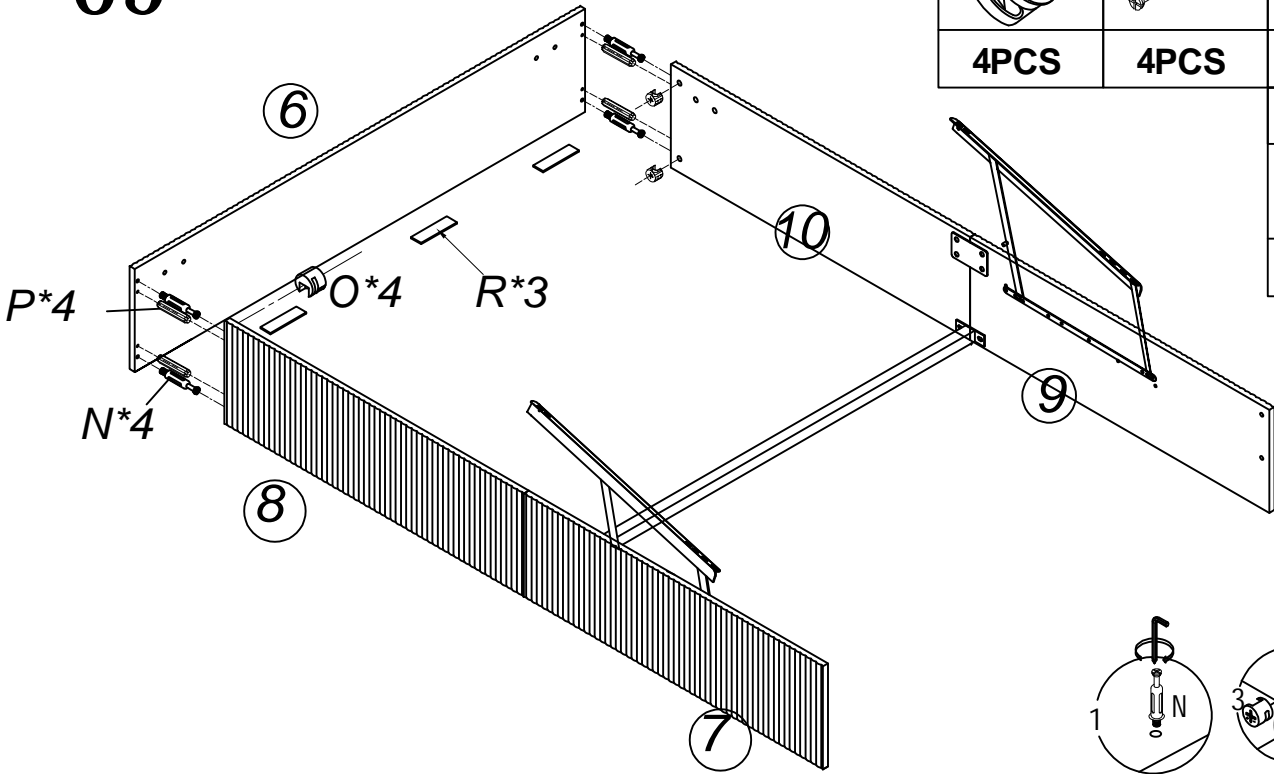


04

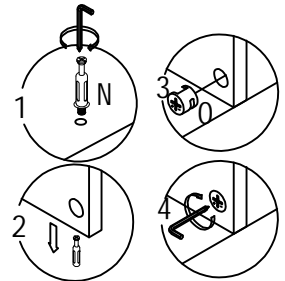
L

4PCS



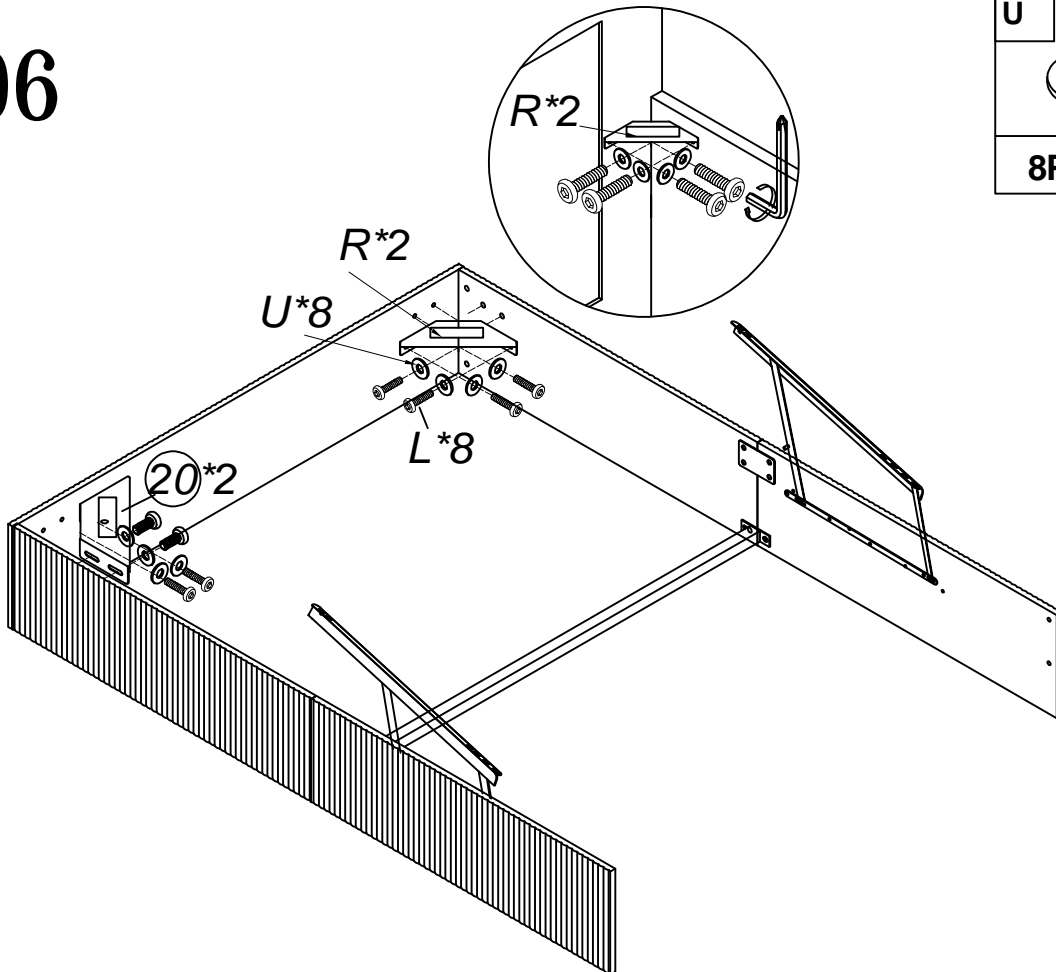
05



O	N	P
4PCS	4PCS	4PCS
		R
		3PCS


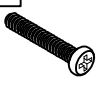


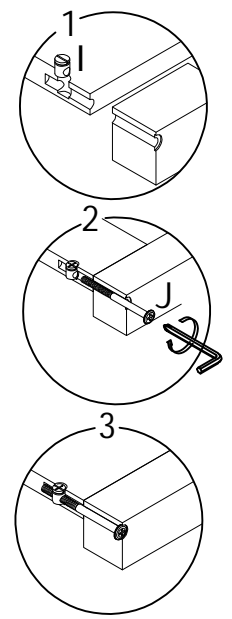
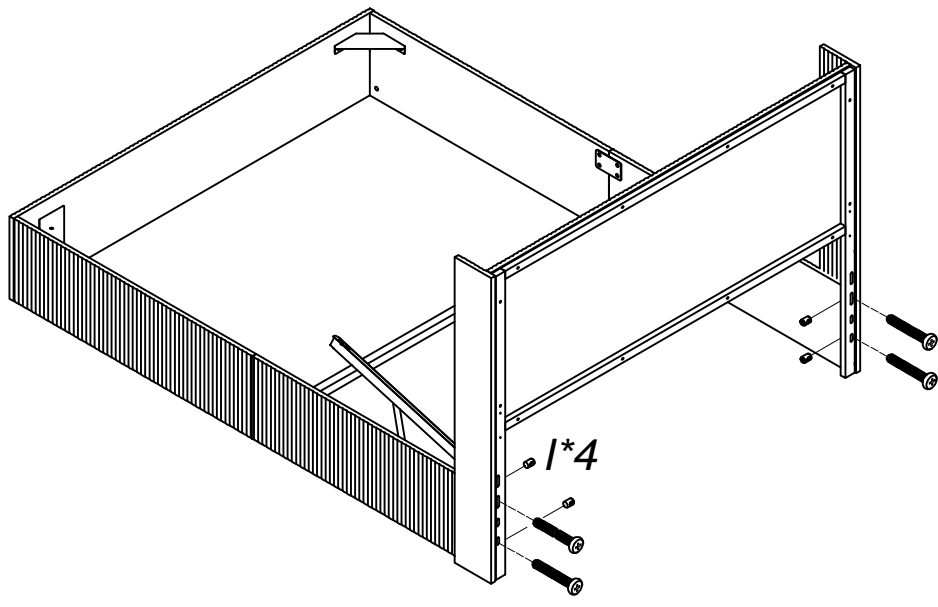
06




U	L	
8PCS	8PCS	
		R
		2PCS

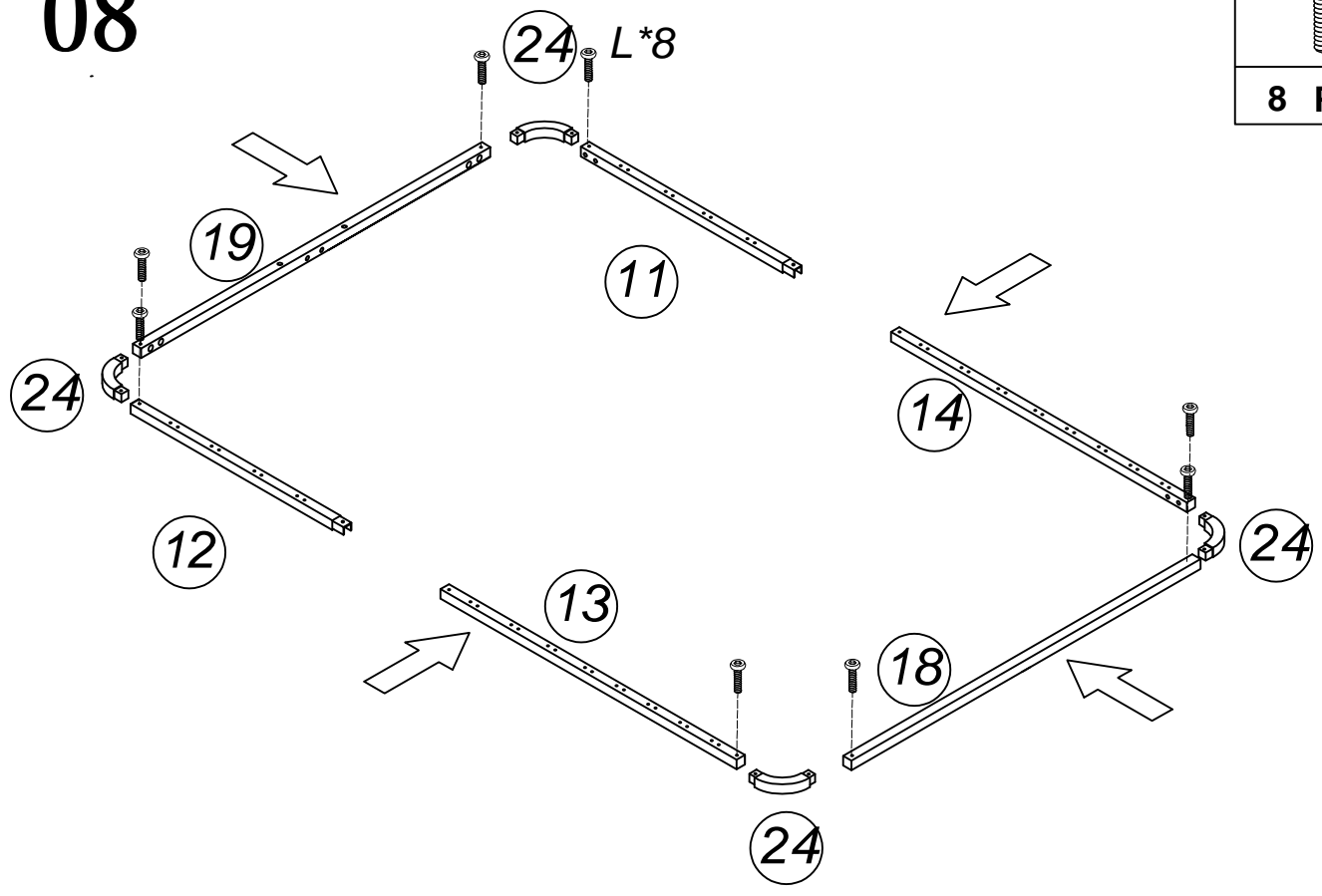
07

I	J
	
4PCS	4PCS






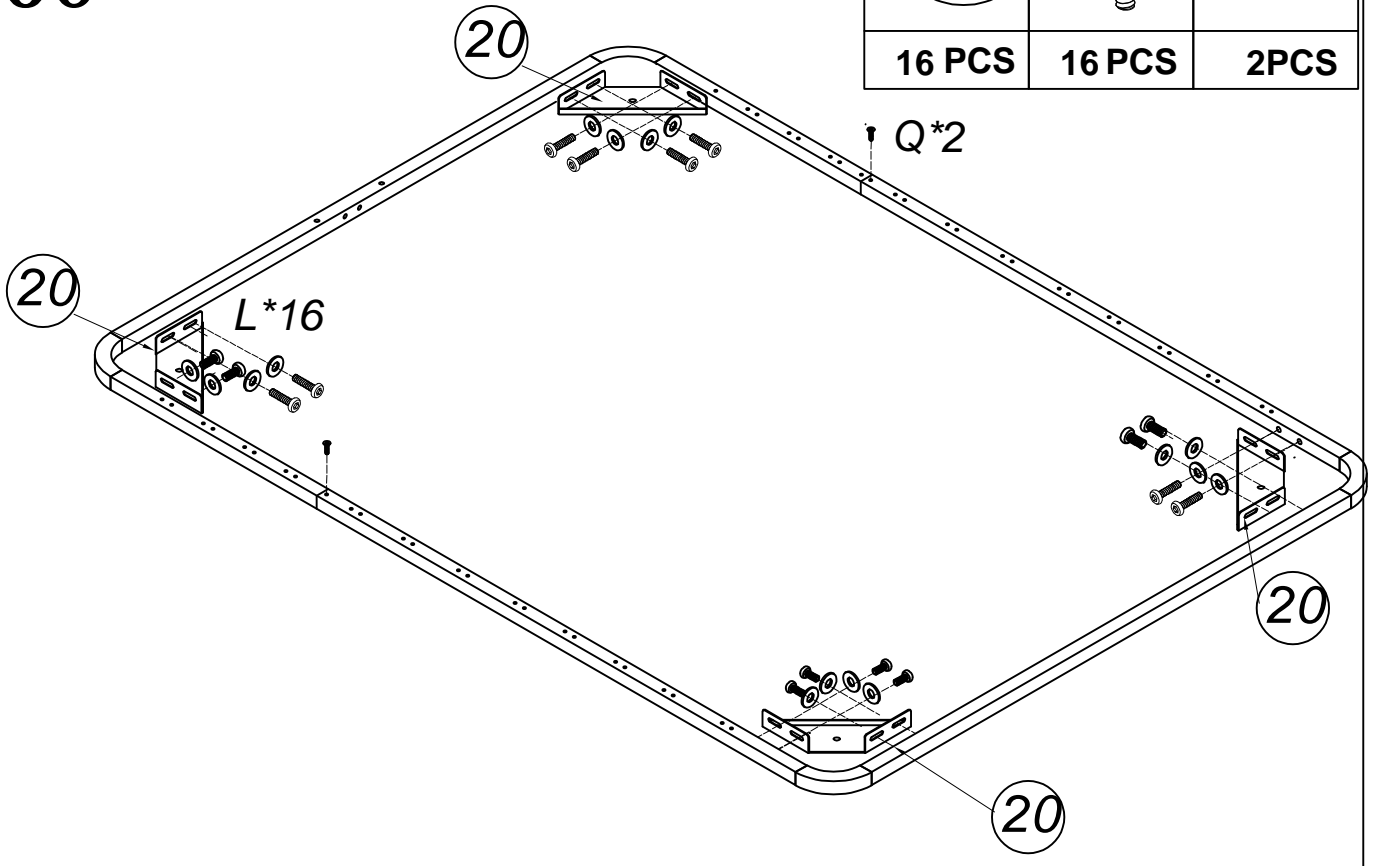
08

L

8 PCS

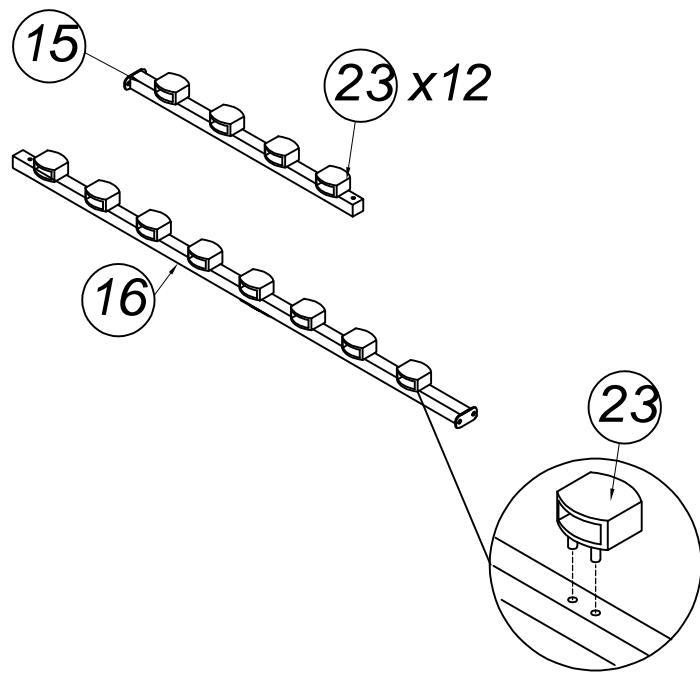


09

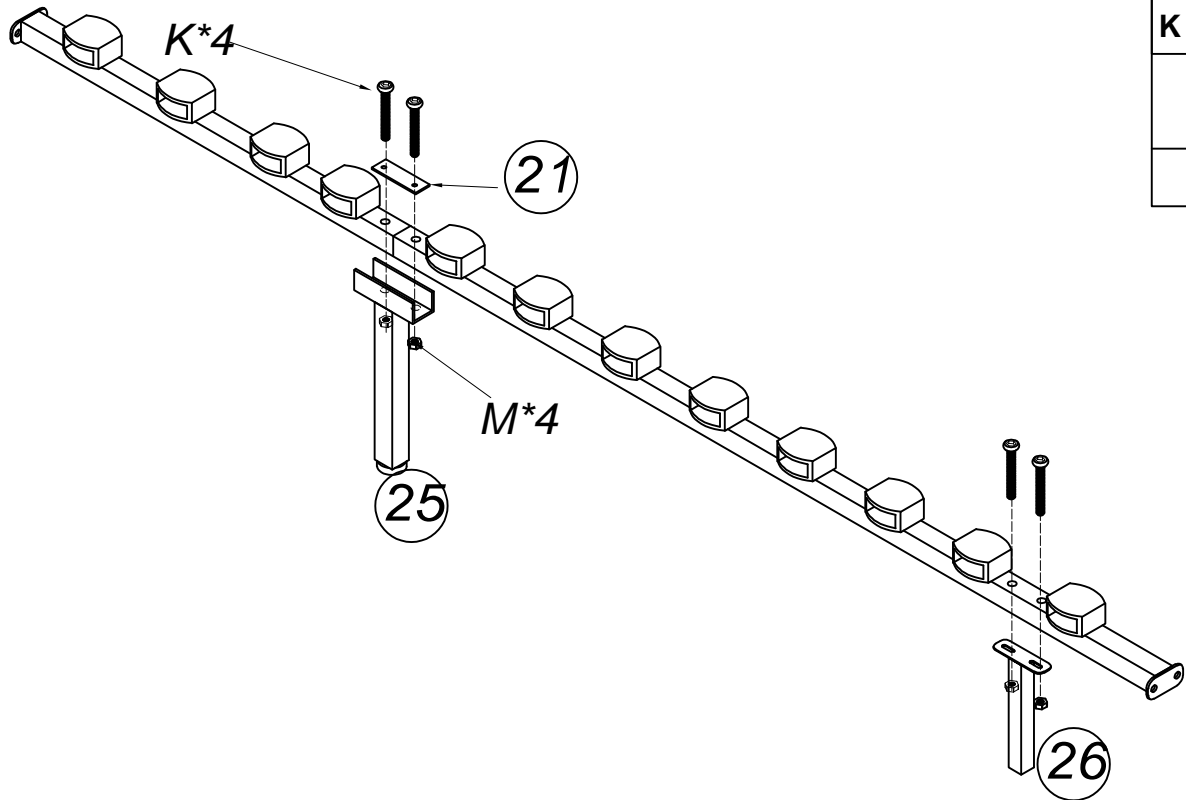
U	L	Q
		
16 PCS	16 PCS	2 PCS



10



11



M



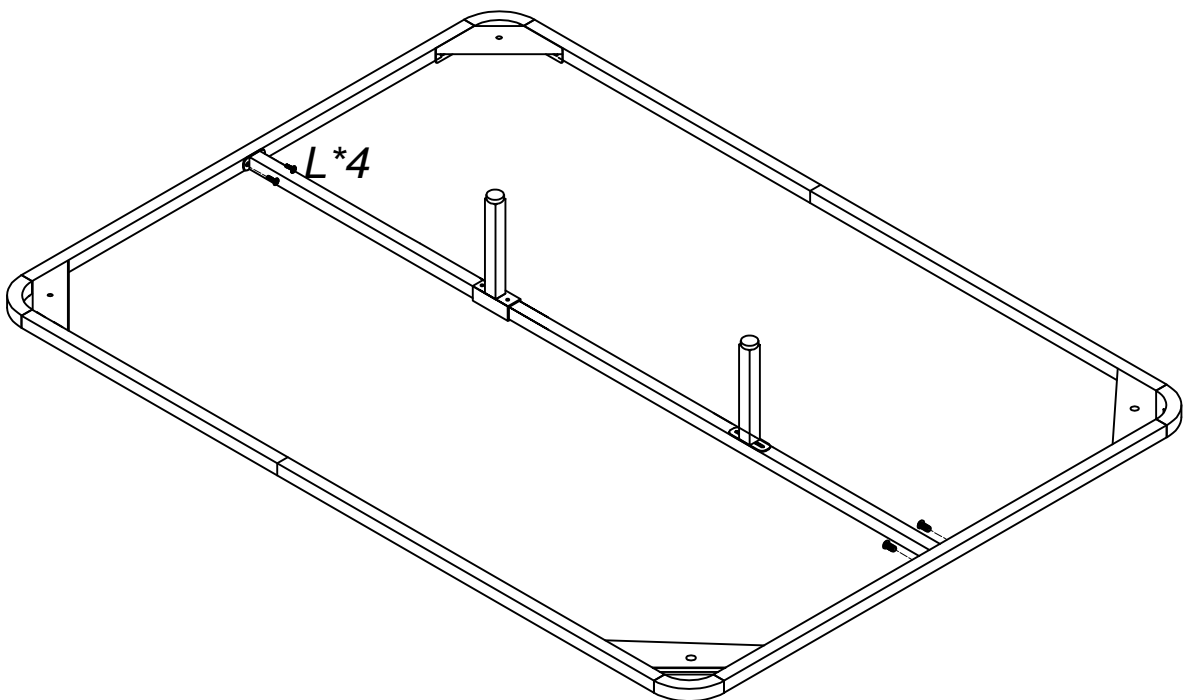
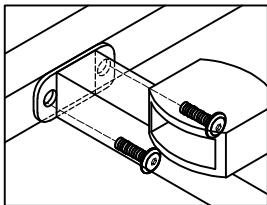
4PCS

K



4PCS

12





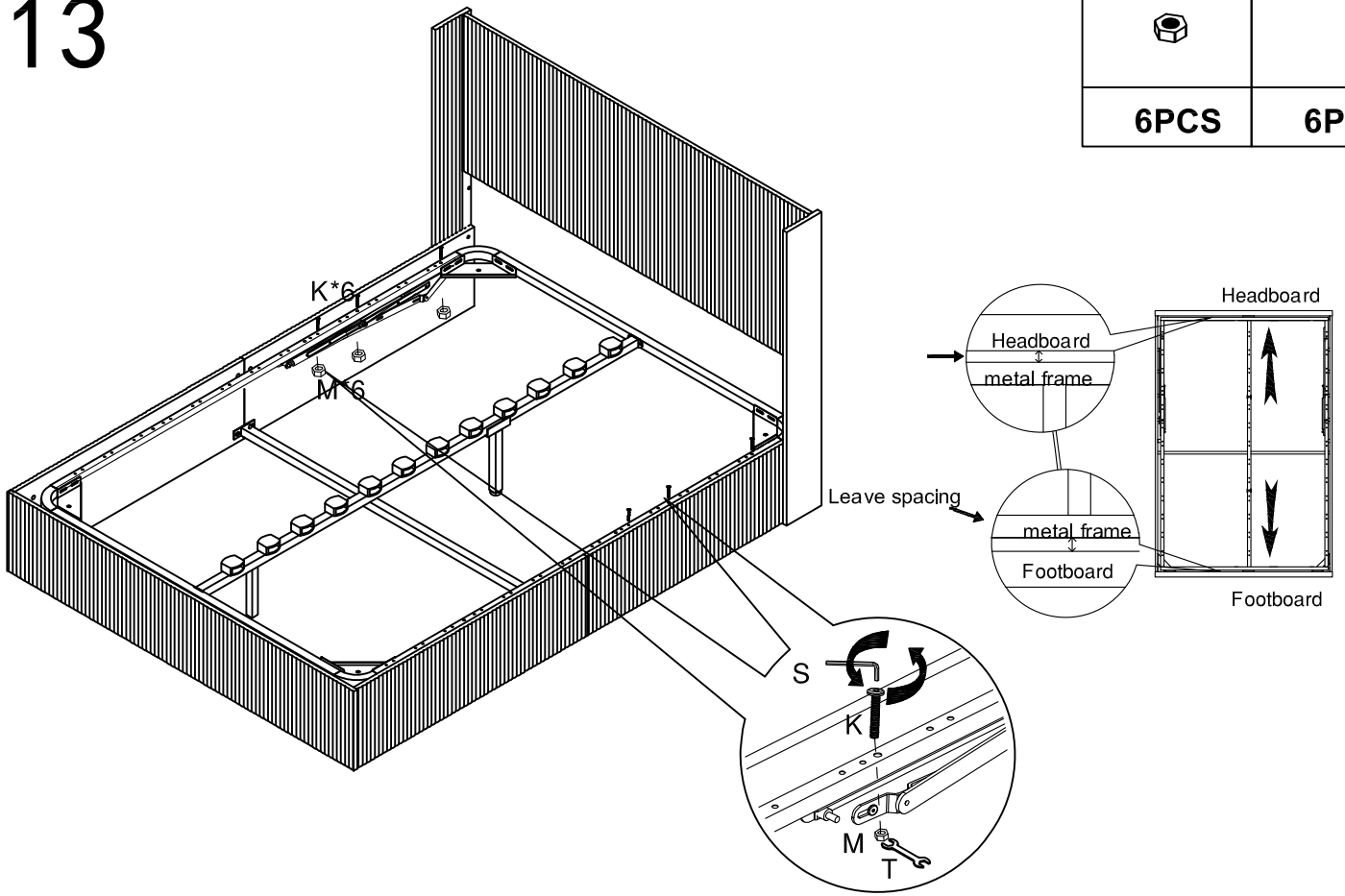
L



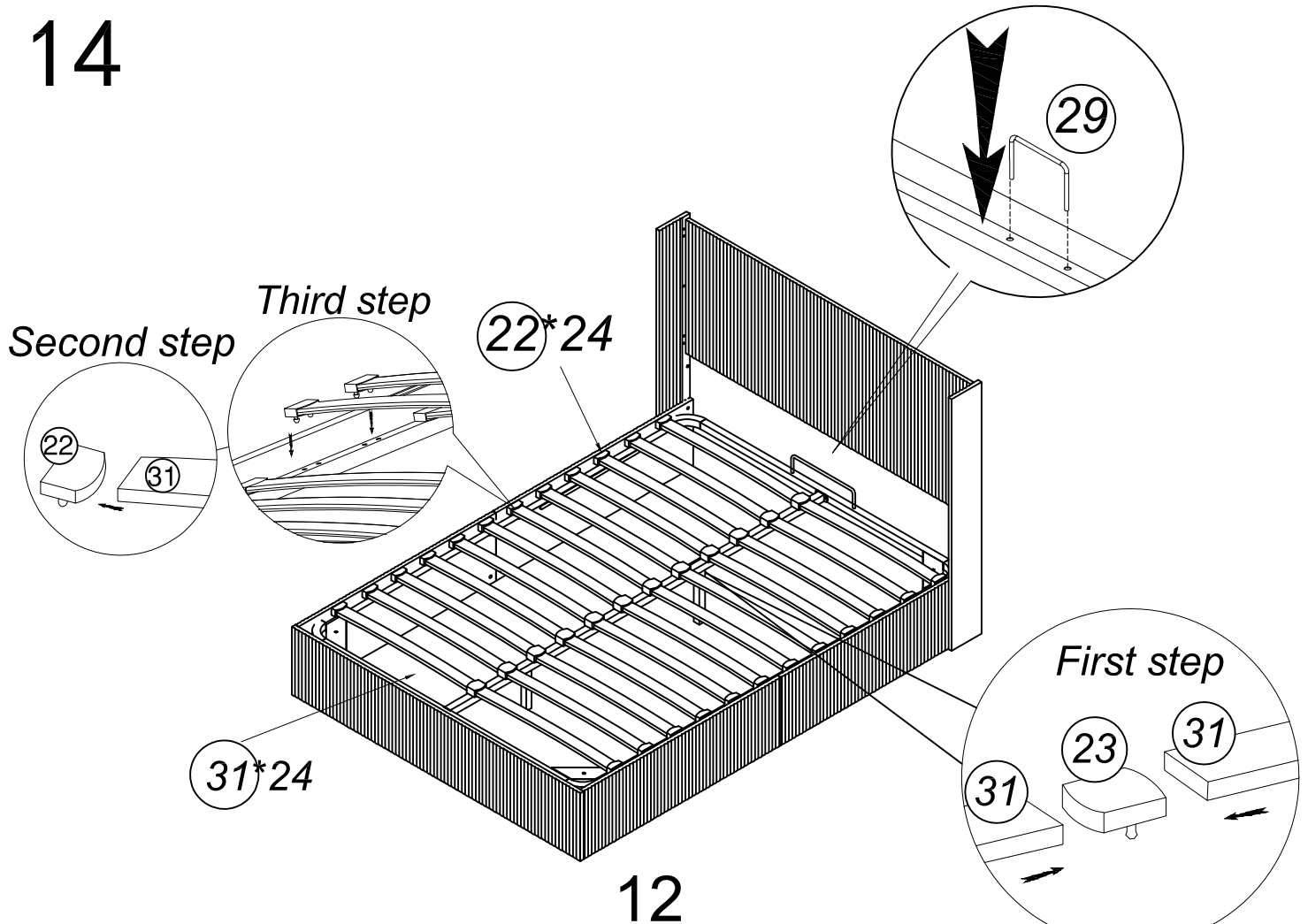
4PCS

13

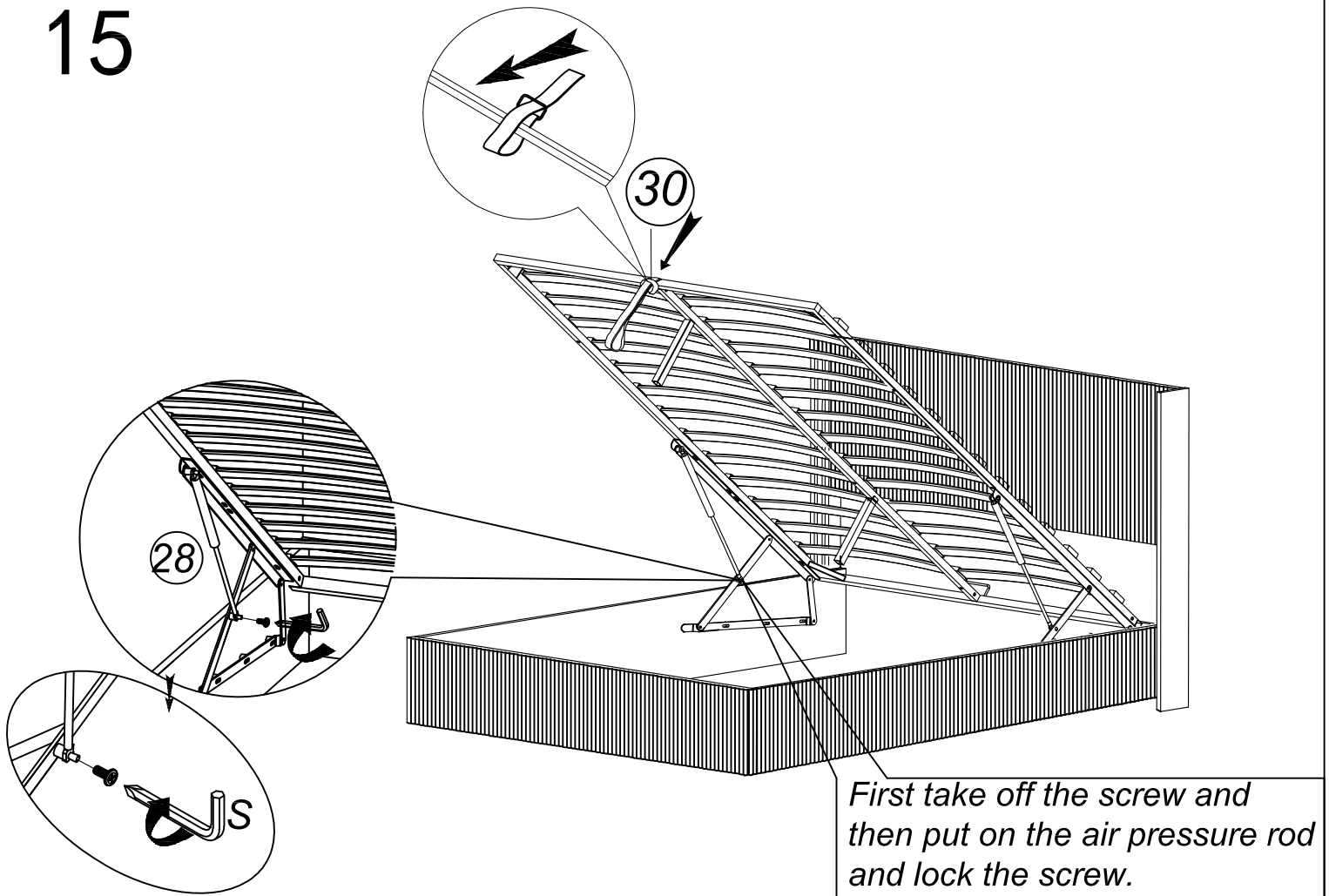
M	K
	
6PCS	6PCS



14



15



16

