

CARE AND MAINTENANCE

Store outdoor furniture indoors or cover well when not in use.

Remove wooden furniture from standing water. Dust regularly with small brush or vacuum

Spills should be taken care of immediately before they harden or stain with a slightly dampened sponge.

NOTICE

* Please make sure that you have all parts indicated before you begin assembly of this item

* This item should be assembled on a soft surface to prevent scratching the finish during assembly

* This item may require periodic tightening

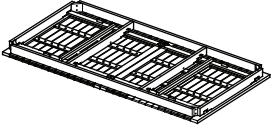
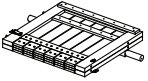
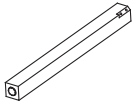
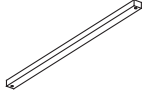





Weight Capacity : 600 Ibs

Warning : Do not stand on chair

Warning : Do not over torque bolts / screws

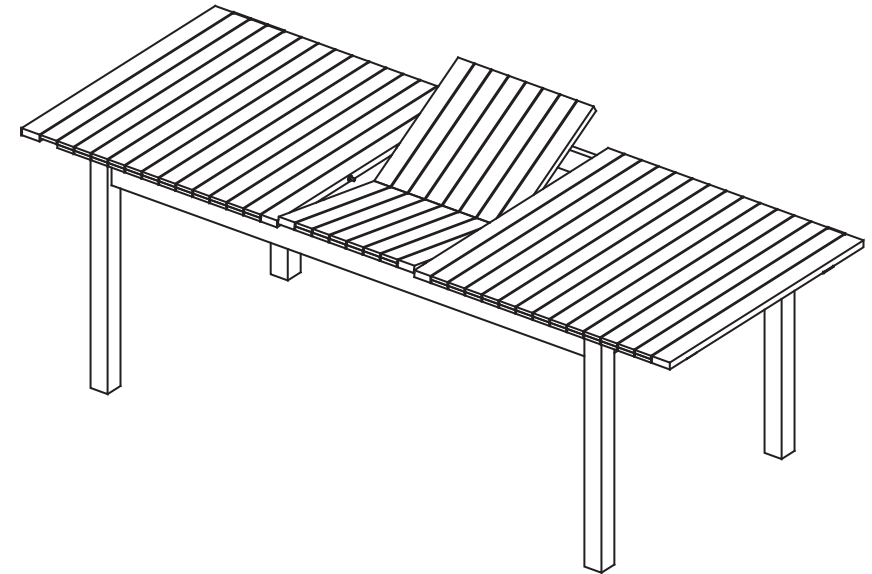


Part List and Hardware List

PIECE	DESCRIPTION	PICTURE	QUANTITY
A	Top Table		1X
B	Frame Leg		1X
C	Tie Legs 1		4X
D	Tie Legs 2		1X
E	Screw M6x70		2X
F	Screw M6x50		2X
G	Bolt M8x50		8X
H	Washer M8.5x20x2		8X
I	Allen key LG4		2X

Model# PAT7062

Product Dimensions: 35.43" W x 70.86/ 89.76" D x 29.52" H



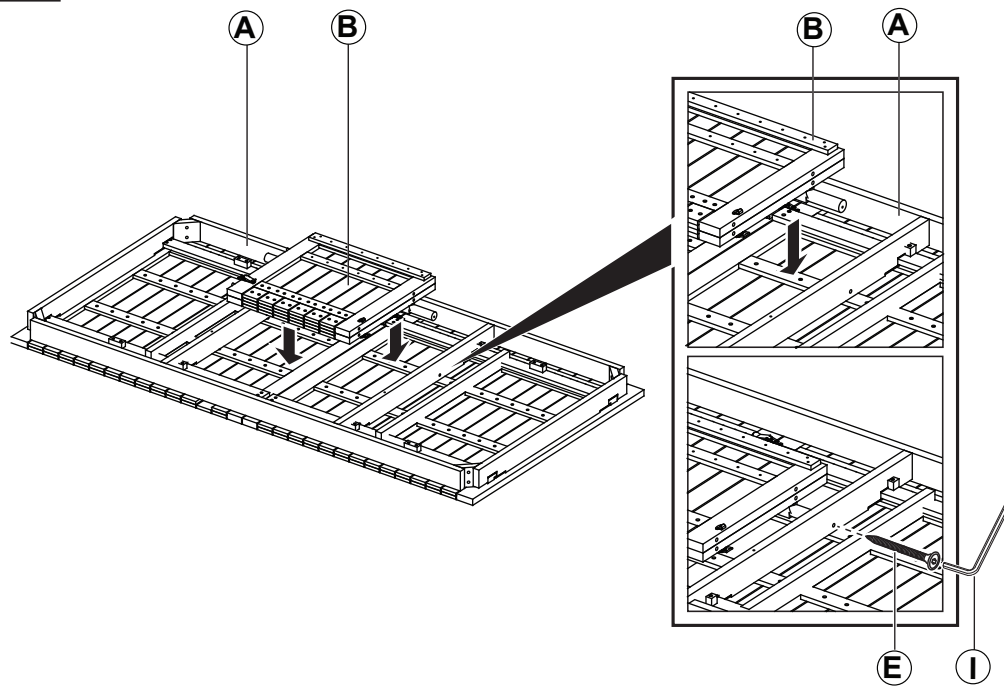
PREPARATION

Before beginning assembly of product, make sure all parts are present. Compare parts with package contents list and hardware contents list. If any part is missing or damaged, do not attempt to assemble the product.

Estimated Assembly Time: 10 minutes.

Tools Required for Assembly (included): Allen Key

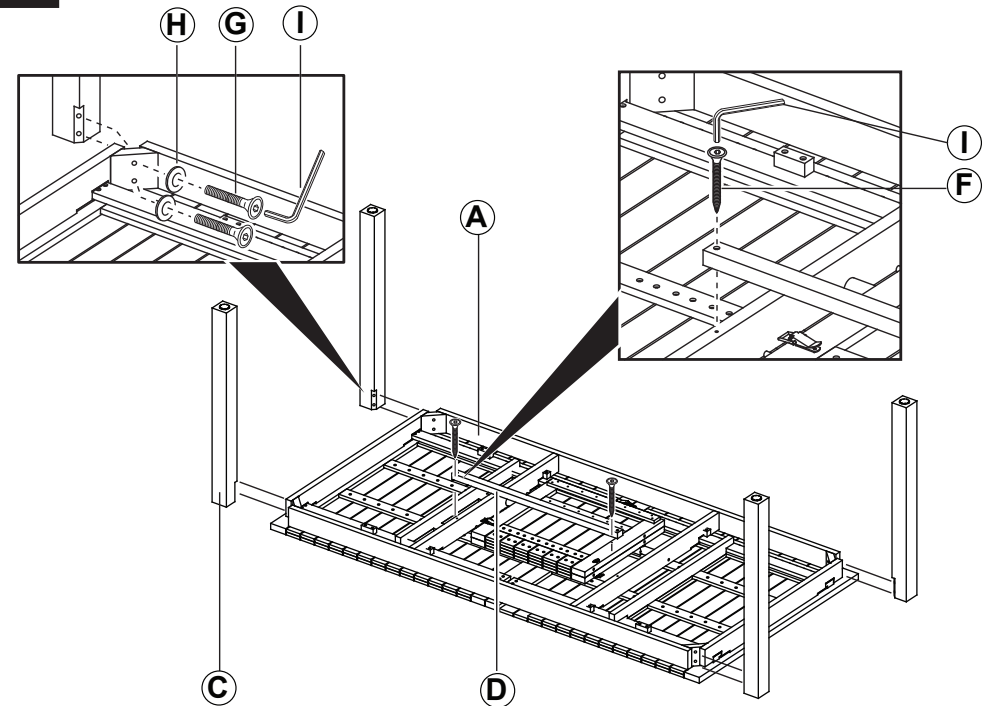
1



Step 1

Attach Frame Leg (B) to Top table (A) ,use Screw (E) and tighten with allen key (I).

2



Step 2

Attach Frame Leg (C) to Top table (A) ,use Bolt (G) , Washer (H) and tighten with allen key (I).
Attach Tie Leg 2 (D) to Top table (A) ,use Screw (F) and tighten with allen key (I).

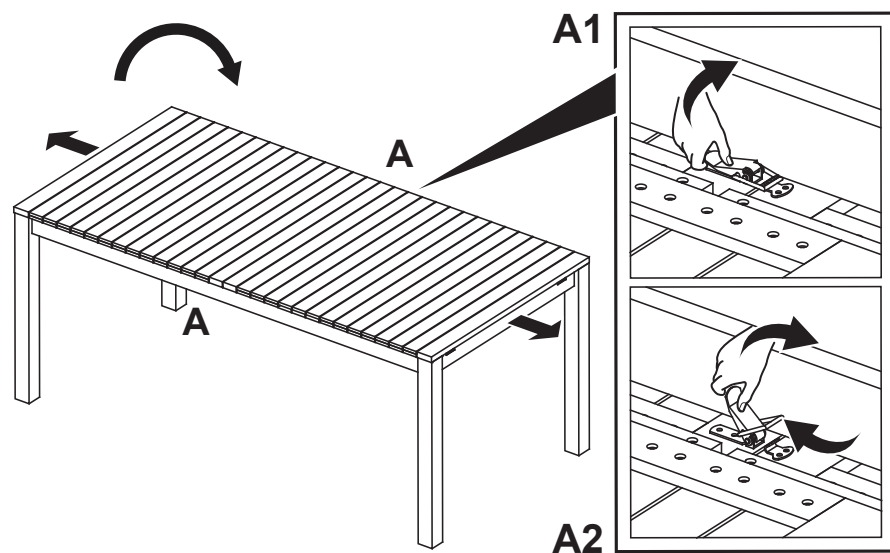
PREPARATION

Before beginning assembly of product, make sure all parts are present. Compare parts with package contents list and hardware contents list. If any part is missing or damaged, do not attempt to assemble the product.

Estimated Assembly Time: 10 minutes.

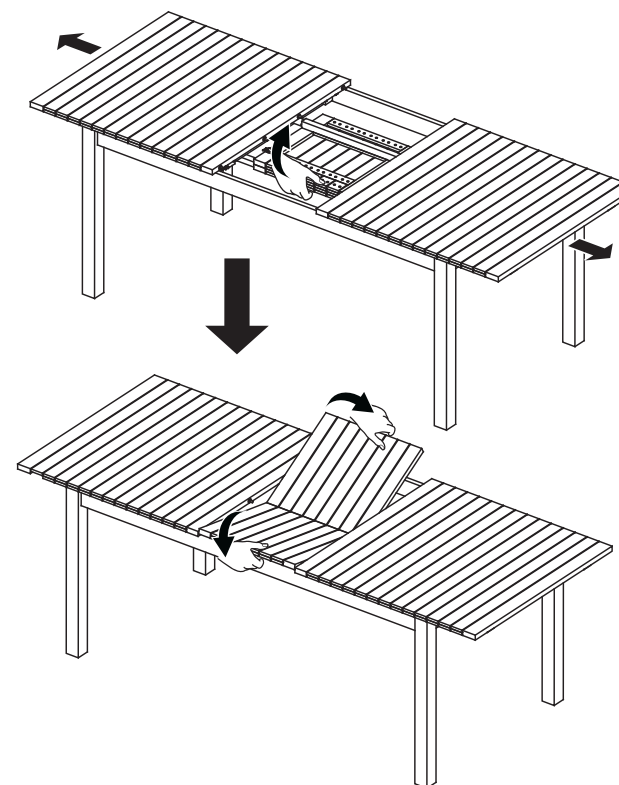
Tools Required for Assembly (included): Allen Key

3



Step 3
Open the table according to the arrow.

4



Step 4
Open the table according to the arrow.

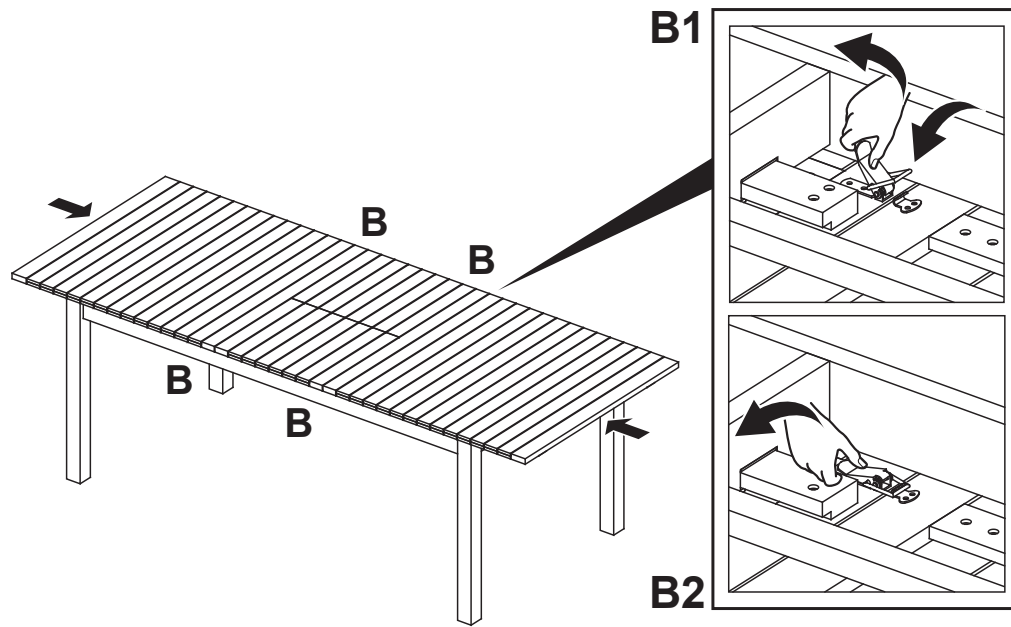
PREPARATION

Before beginning assembly of product, make sure all parts are present. Compare parts with package contents list and hardware contents list. If any part is missing or damaged, do not attempt to assemble the product.

Estimated Assembly Time: 10 minutes.

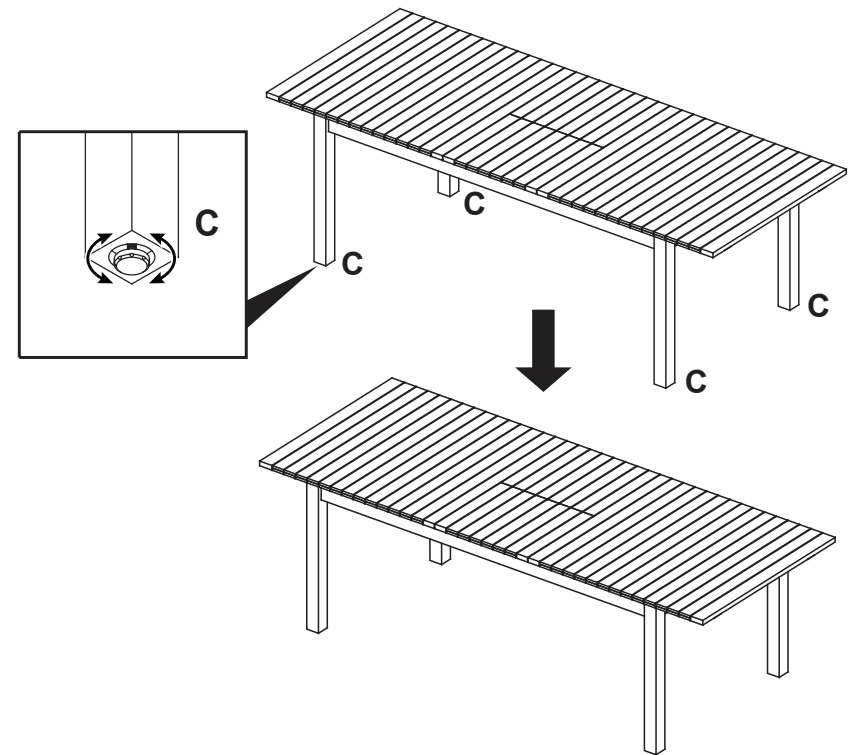
Tools Required for Assembly (included): Allen Key

5



Step 5
Open the table according to the arrow.

6



Step 6
Complete product.