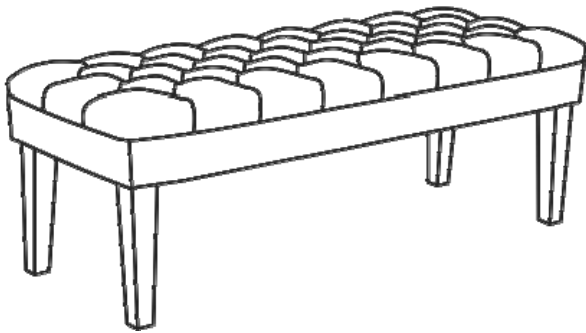


BENCH

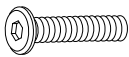




Thank you for purchasing this bench!

Before you start, here is some helpful advice:

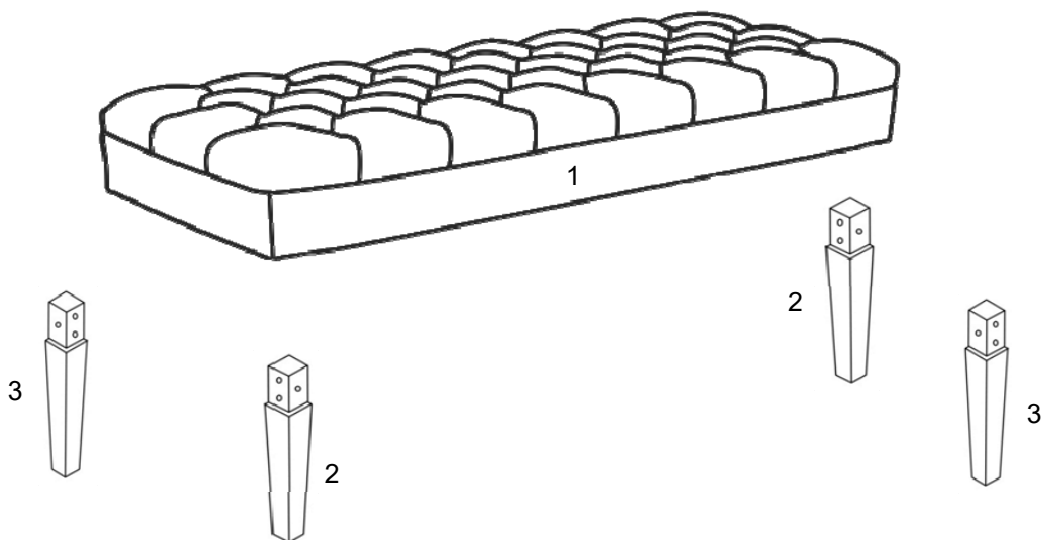
1. We suggest you spend a short time reading through this leaflet and then follow the simple step by step instructions.
2. Owing to the size and weight of the bench, we recommend that it is assembled by two adults, on a carpeted or padded area, in the room that it is intended for. Approximate assembly time: 30 minutes.
3. Please do not use any tools other than those provided or recommended in these instructions.
4. Please do not throw away any of the packaging or instructions until you have checked all the components and hardware and the furniture is fully assembled.
5. Assemble all components loosely until advised to tighten. Depending on use, it may be necessary to tighten the components from time to time, so please save the tools that have been provided.
6. Please keep all pieces out of reach of small children.



Hardware:

A		Bolt M8x65mm	x 12
B		Spring Washer M8	x 12
C		Flat Washer M8	x 12
D		Plastic Washer	x 12
E		Allen Wrench	x 1

Component:

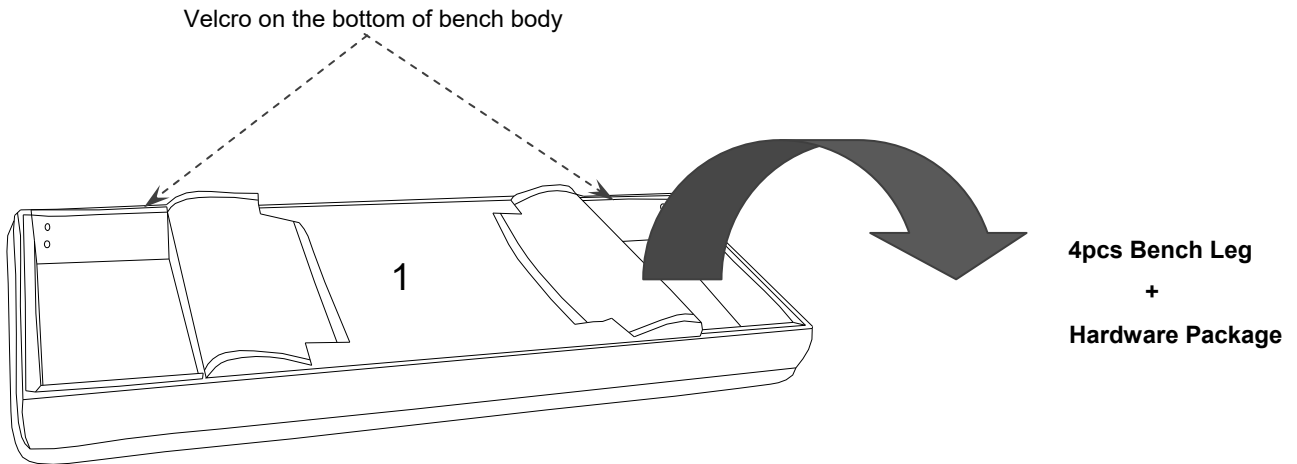


1	Bench Body	x1	2	Left Leg	x2	3	Right Leg	x2
---	------------	----	---	----------	----	---	-----------	----

BENCH

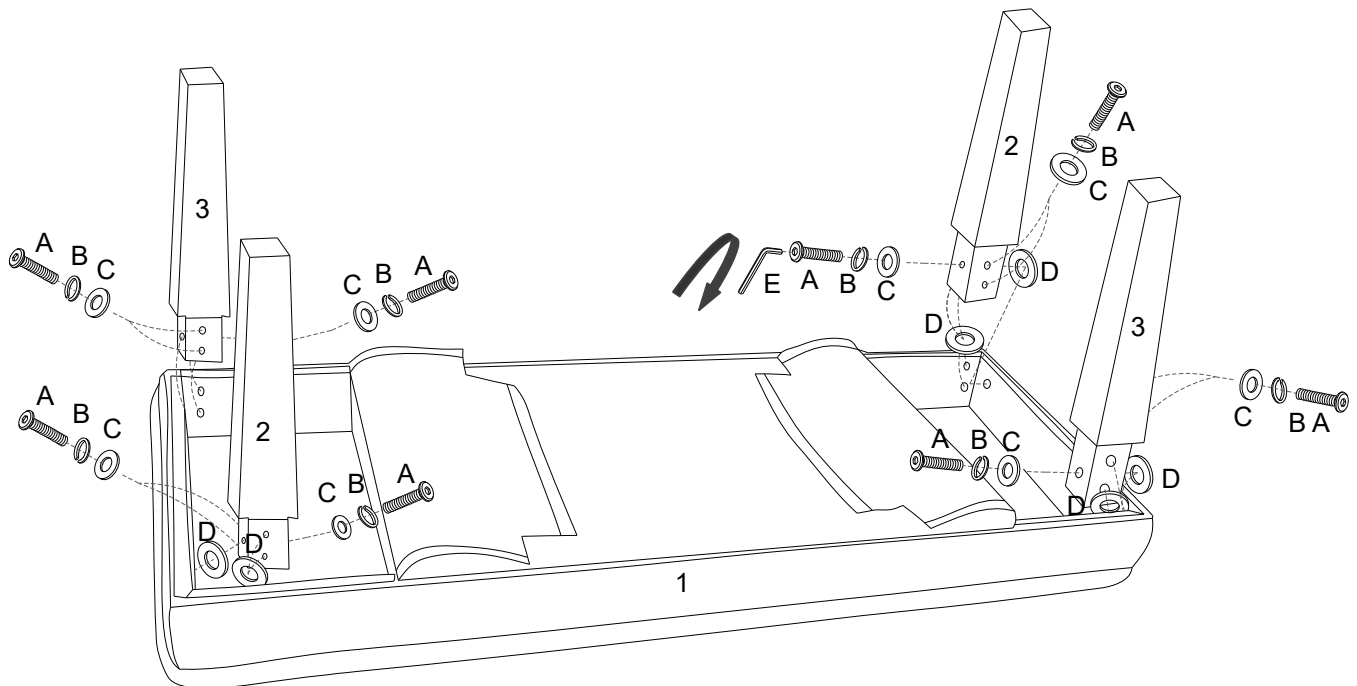
STEP 1:

Please put the **Bench Body (1)** upside down on a carpeted or padded area by two adults.
Open the Velcro on the bottom of **Bench Body (1)** as shown, to make the corners fully visible.
Take out 4 pieces of **Legs (2&3)** and Hardware Package from the inside of **Bench Body(1)**.



STEP 2:

Position one of **Left Legs (2)** at the corresponding wooden corner as shown.
Insert 3 pieces of **Bolt (A)** with 3 pieces of **Spring Washer (B)**, **Flat Washer (C)** into the pre-drilled holes on the apron of **Bench Body (1)** through the pre-drill holes on **Left Leg (2)**, 3 pieces of **Plastic Washer (D)** as shown.
Repeat the same steps for the remaining **Left Leg (2)** and **Right Legs (3)**.
Use **Allen Wrench (E)** to tighten all the **Bolts (A)** clockwise until secure.
Close the Velcro on bottom of **Bench Body (1)**.



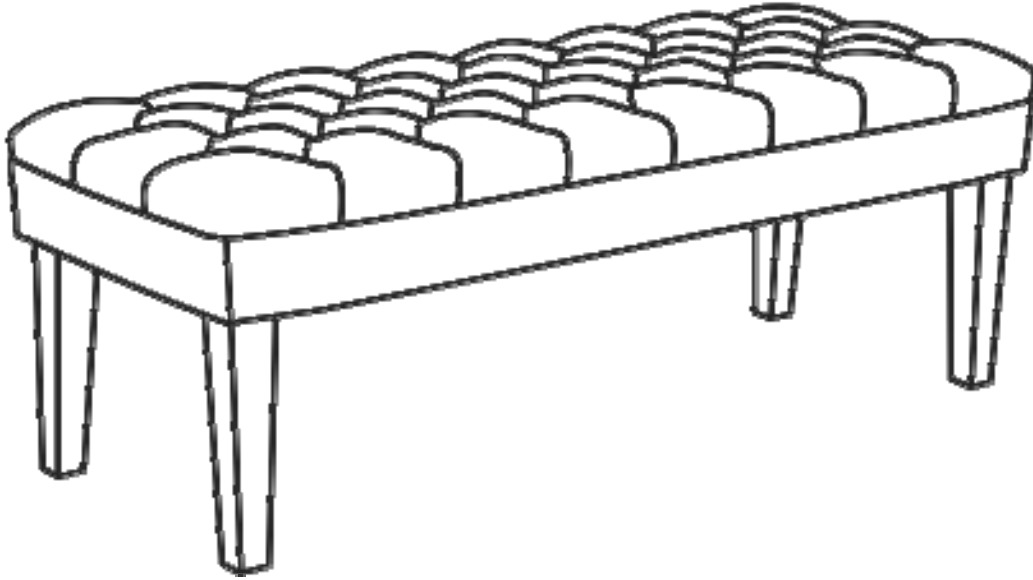
Ax12	Bx12	Cx12	Dx12	Ex1

Hardware & Tool required

BENCH

STEP 3:

Carefully turn over the assembled bench.



Assembly is completed. Your bench is ready to be enjoyed now!