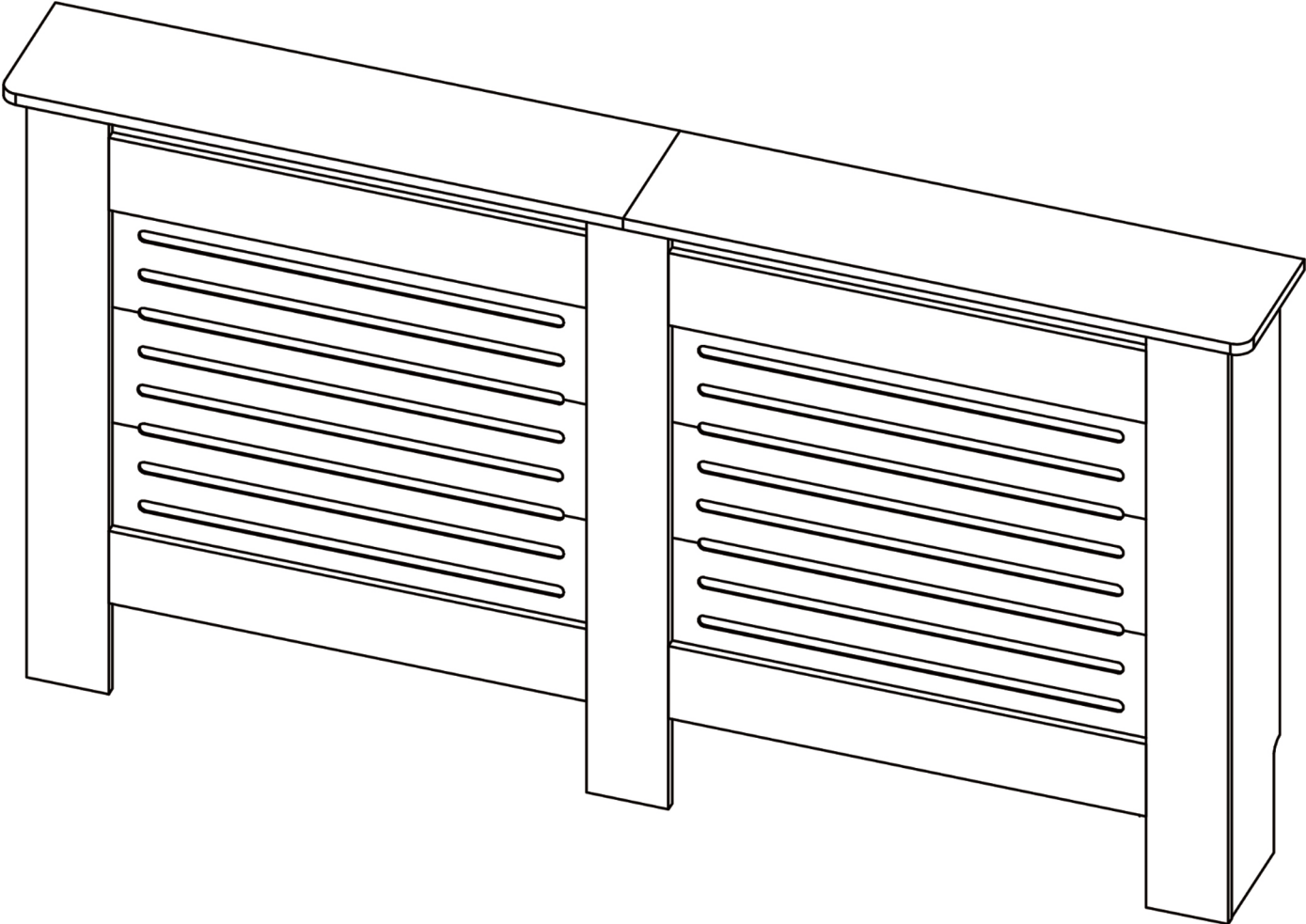
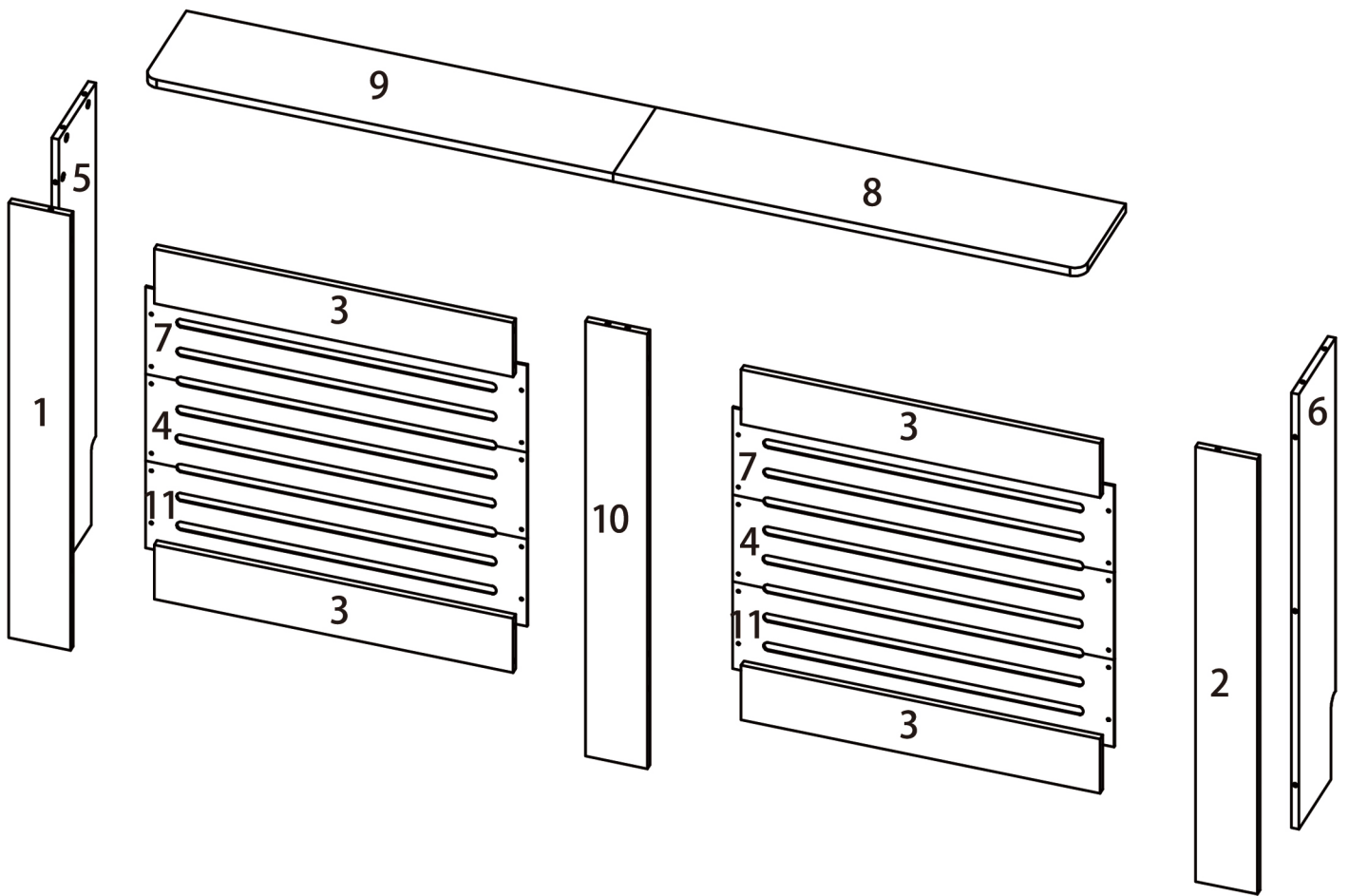


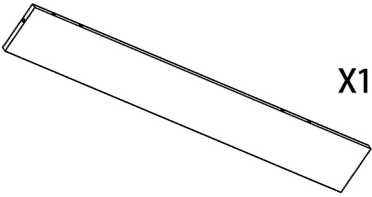
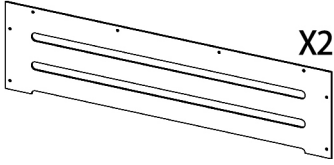
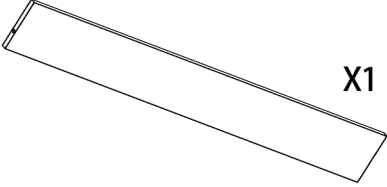
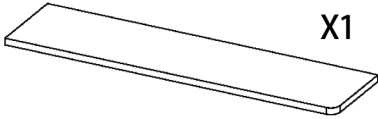
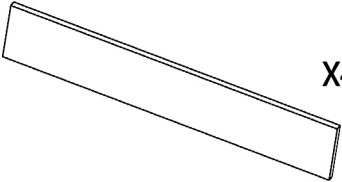
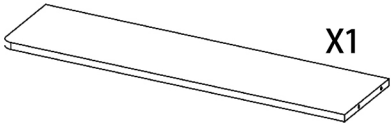
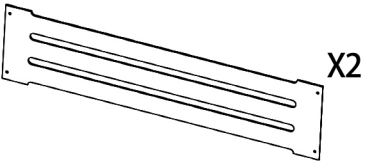
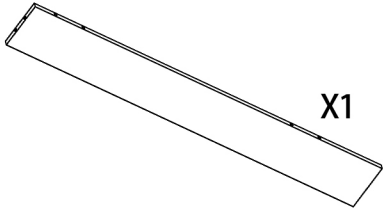
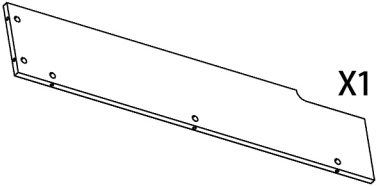
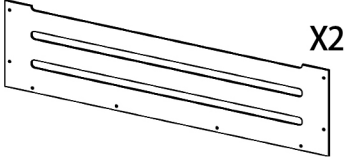
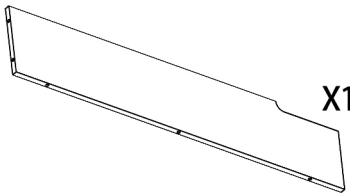
Assembly Instruction





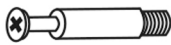



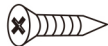
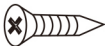
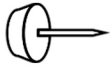
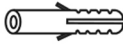


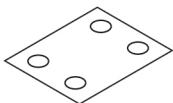
Unit: (mm)

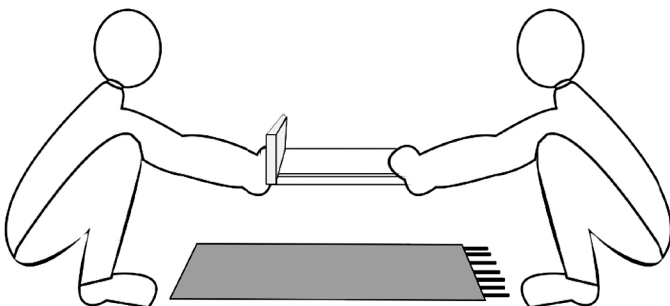
PARTS LIST

| | | | | | | | |
|---|--|---------|-----|----|---|---------|-----|
| 1 |  X1 | 800x100 | 1/1 | 7 |  X2 | 617x160 | 1/1 |
| 2 |  X1 | 800x100 | 1/1 | 8 |  X1 | 760x190 | 1/1 |
| 3 |  X4 | 581x100 | 1/1 | 9 |  X1 | 760x190 | 1/1 |
| 4 |  X2 | 617x160 | 1/1 | 10 |  X1 | 800x100 | 1/1 |
| 5 |  X1 | 800x163 | 1/1 | 11 |  X2 | 617x160 | 1/1 |
| 6 |  X1 | 800x163 | 1/1 | | | | |

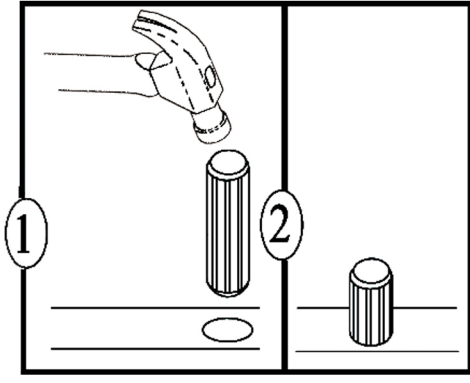
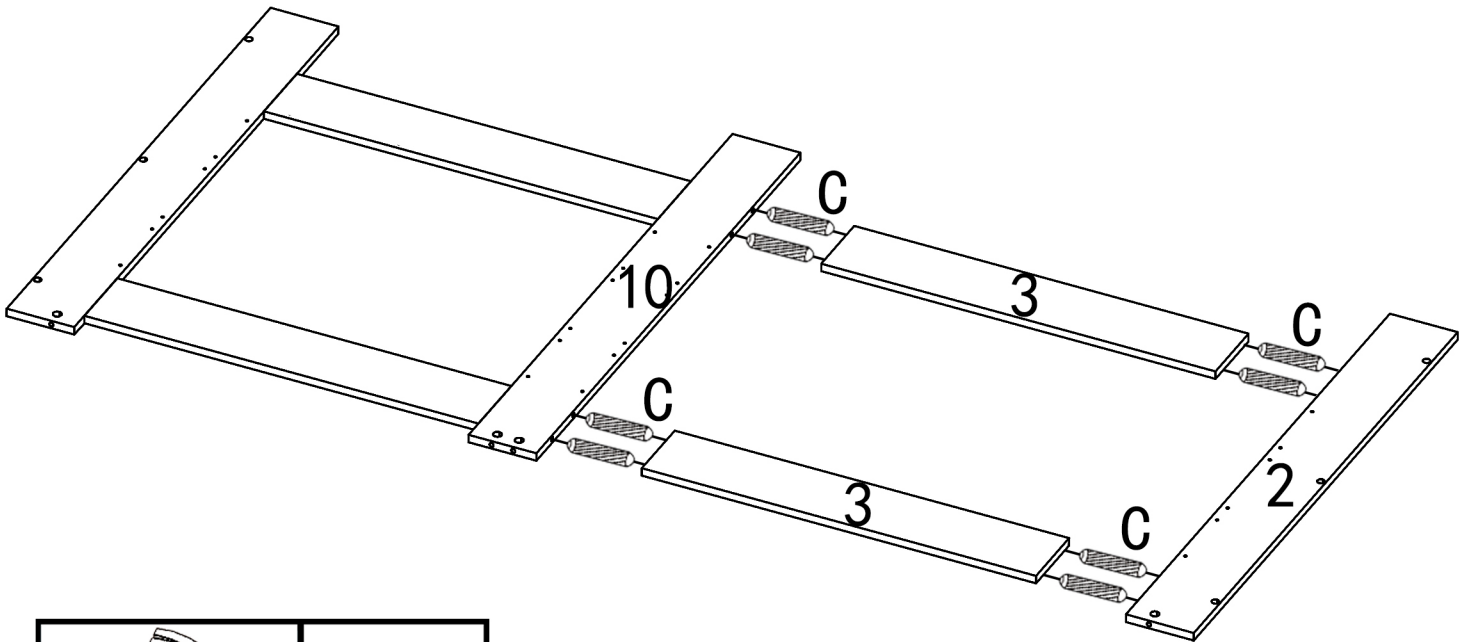
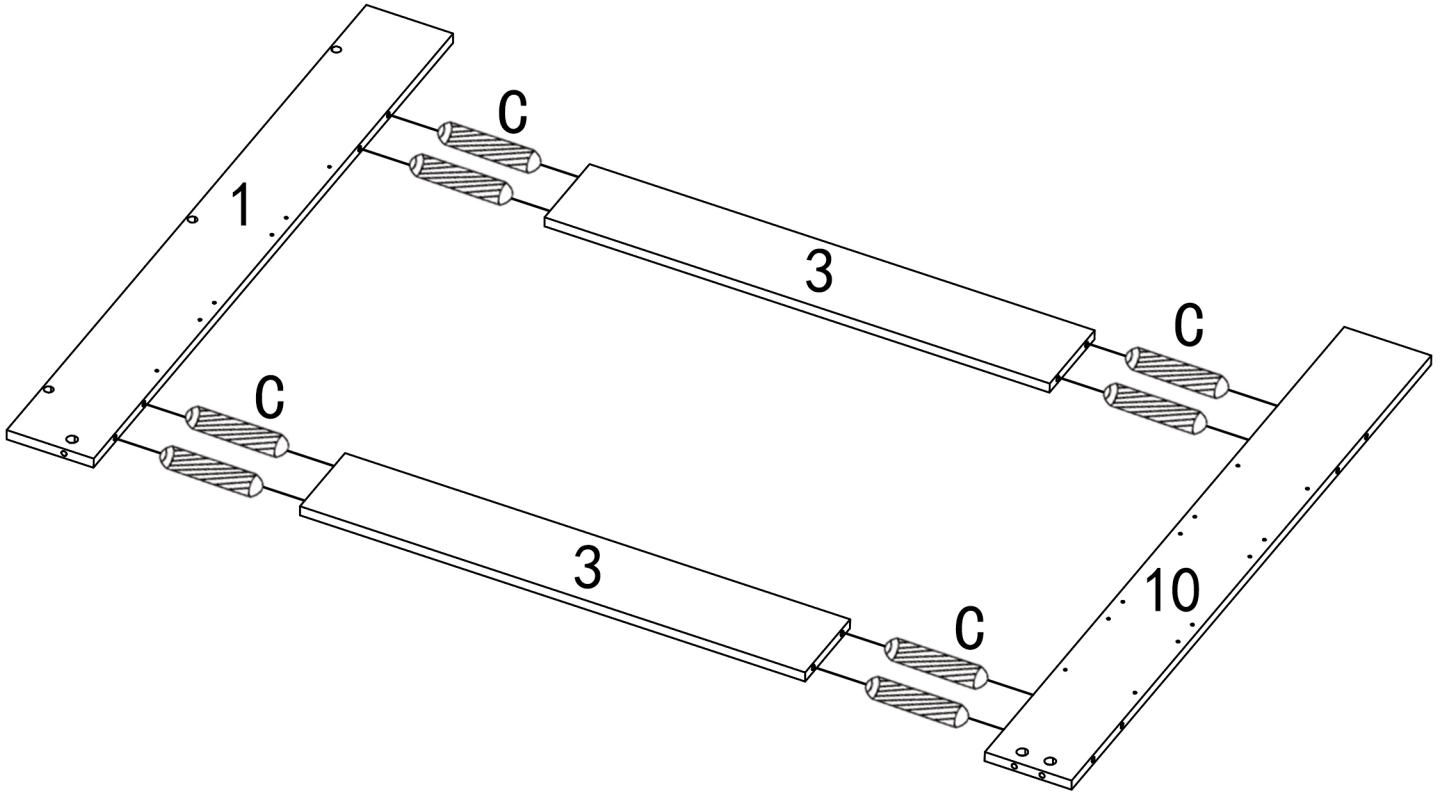
Unit: (mm)

ACCESSORIES LIST

| | | | | | | | | | |
|----------|---|-----|---------|-----|----------|--|----------|------------|-----|
| A |  | X14 | 6x25 | 1/1 | B |  | X14 | 12x10 | 1/1 |
| C |  | X16 | 6x40 | 1/1 | D |  | X2 | 8x40 | 1/1 |
| E |  | X6 | M3.5x14 | 1/1 | F |  | X40 | M3.5x12 | 1/1 |
| G |  | X5 | 5x Φ 12 | 1/1 | H |    | X2 X2 | M4x50/8x40 | 1/1 |
| J |  | X1 | 37x37 | 1/1 | | | | | |
| | | | | | | | | | |
| | | | | | | | | | |

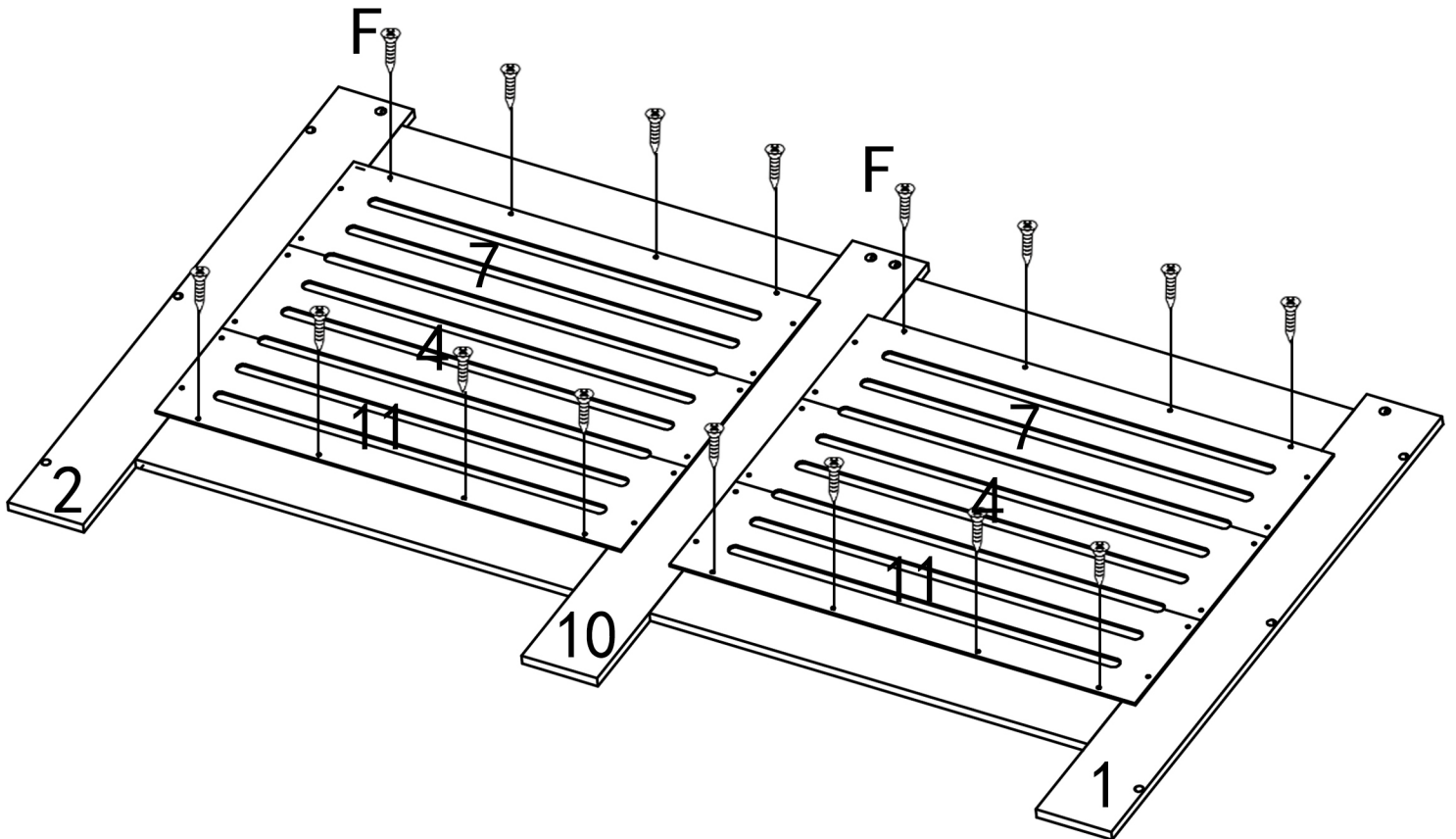
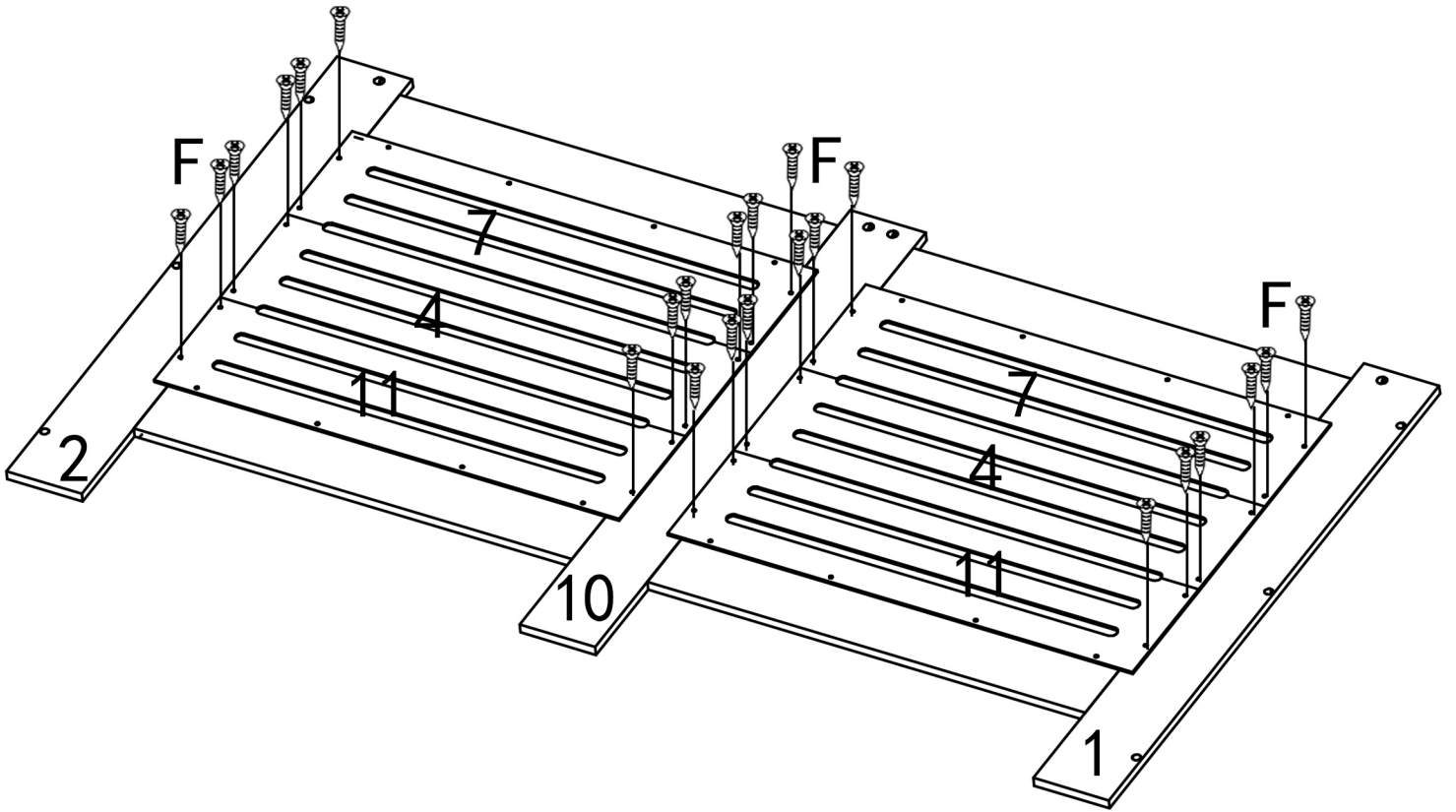


Step 1



Cx16

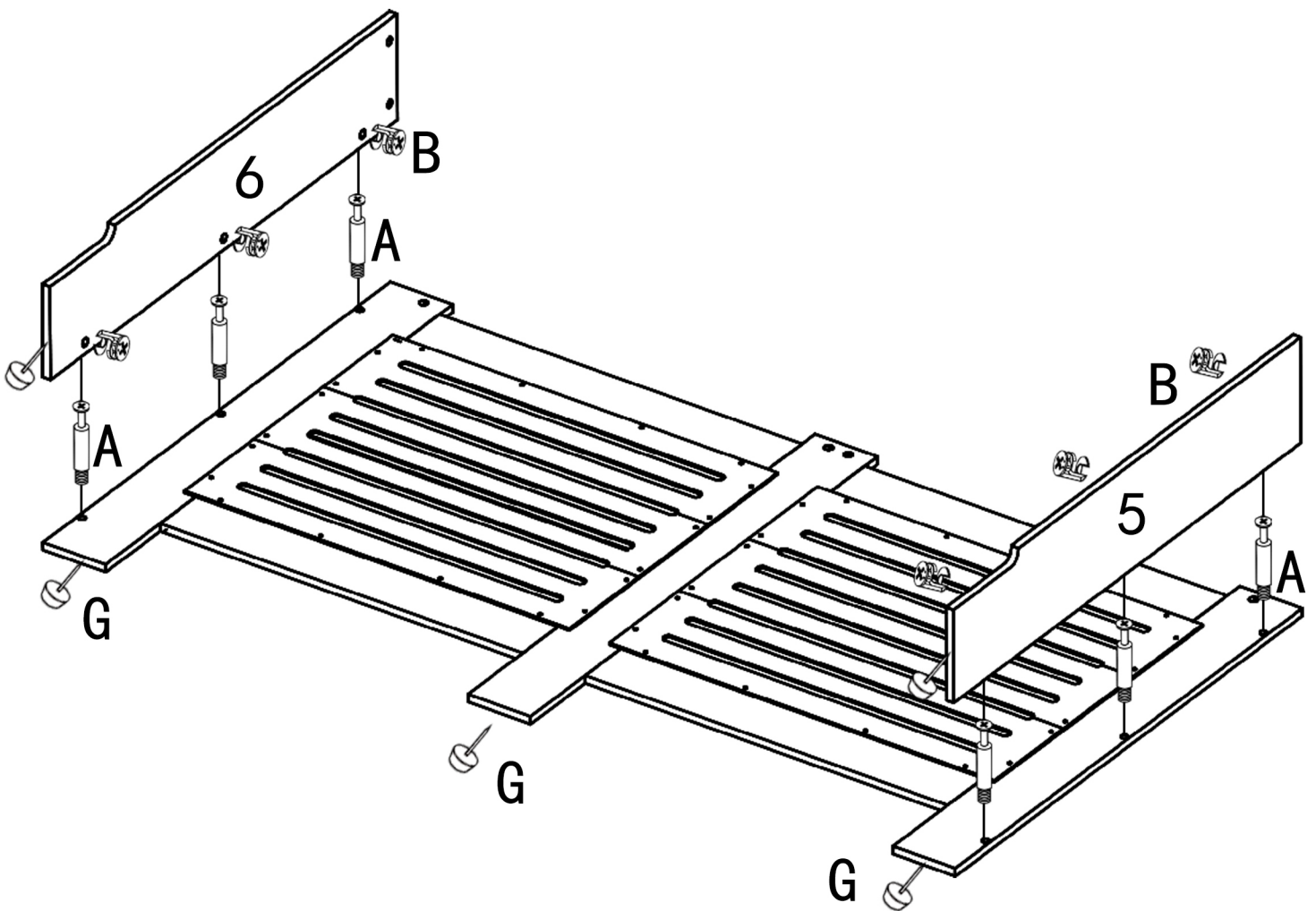
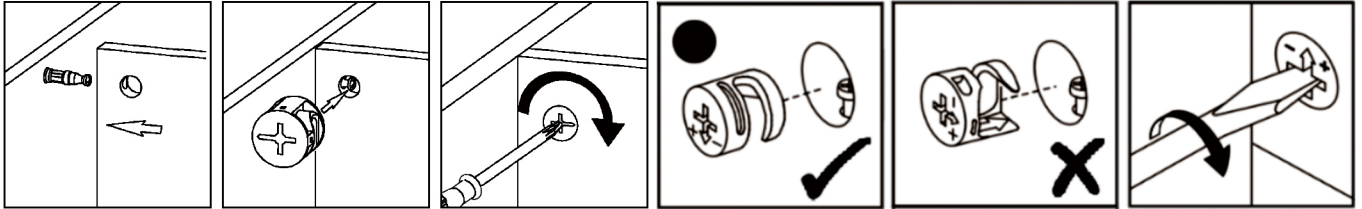
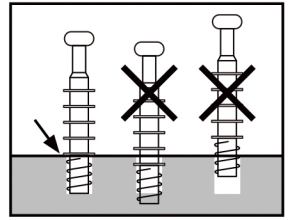
Step 2



Fx40

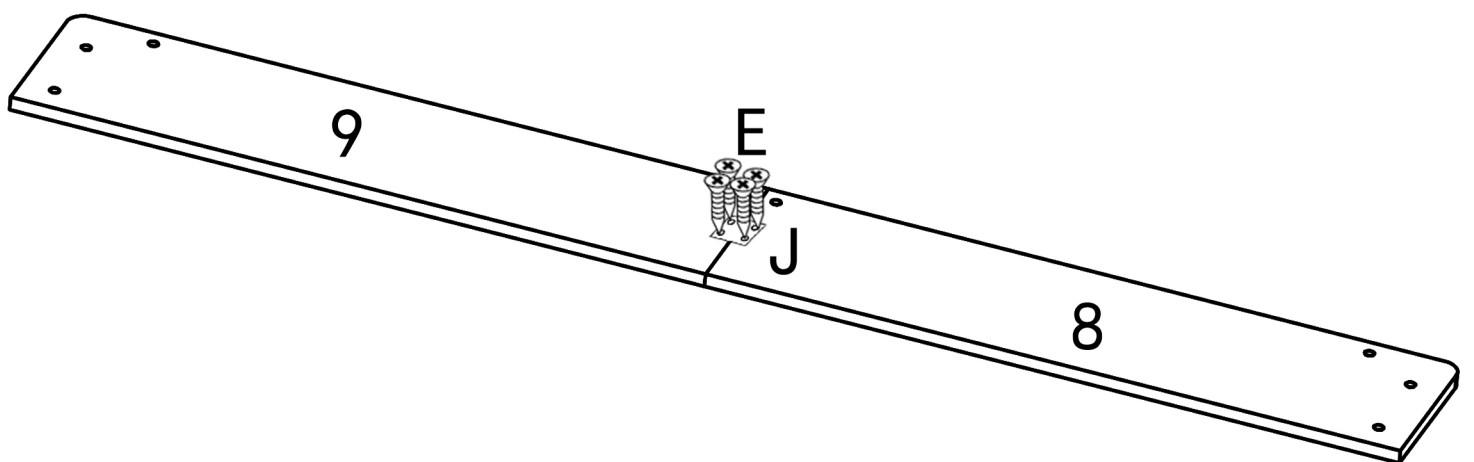
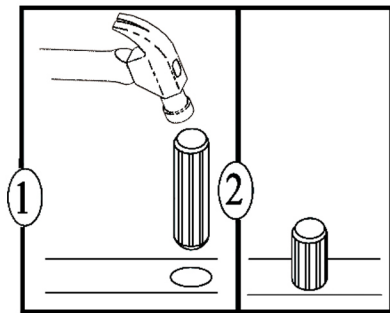
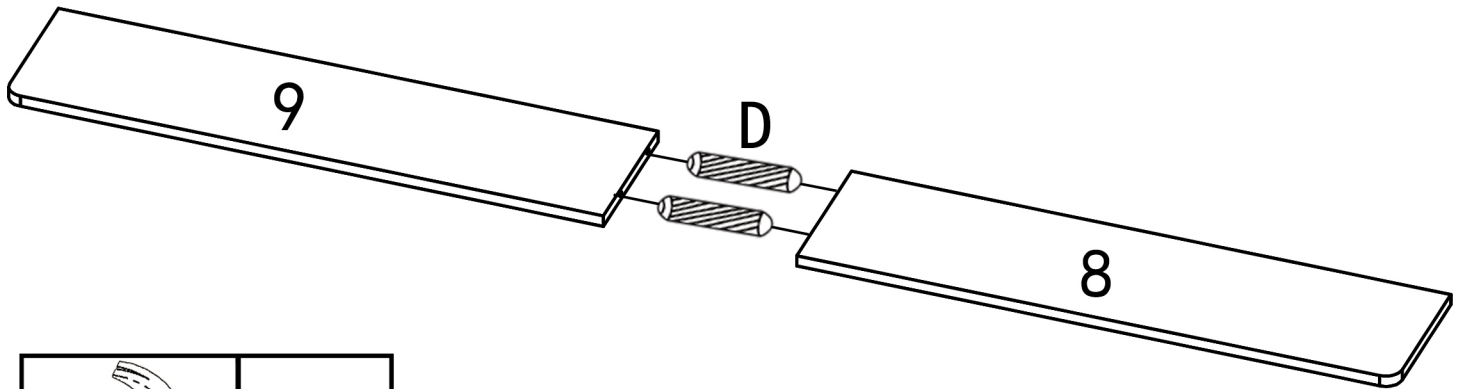
Step 3

Installation method of three in one rod and buckle



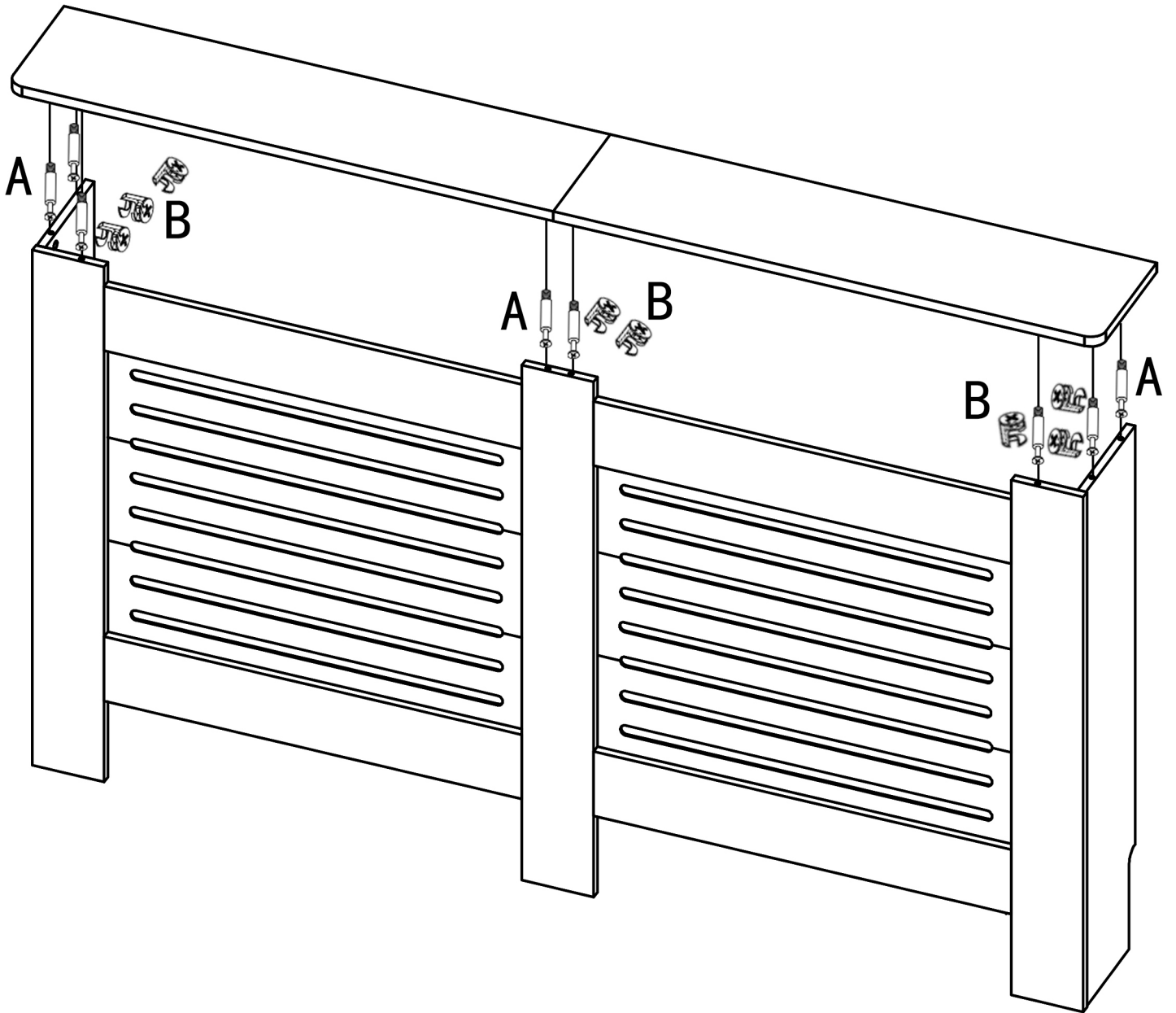
Ax6 Bx6 Gx5

Step 4



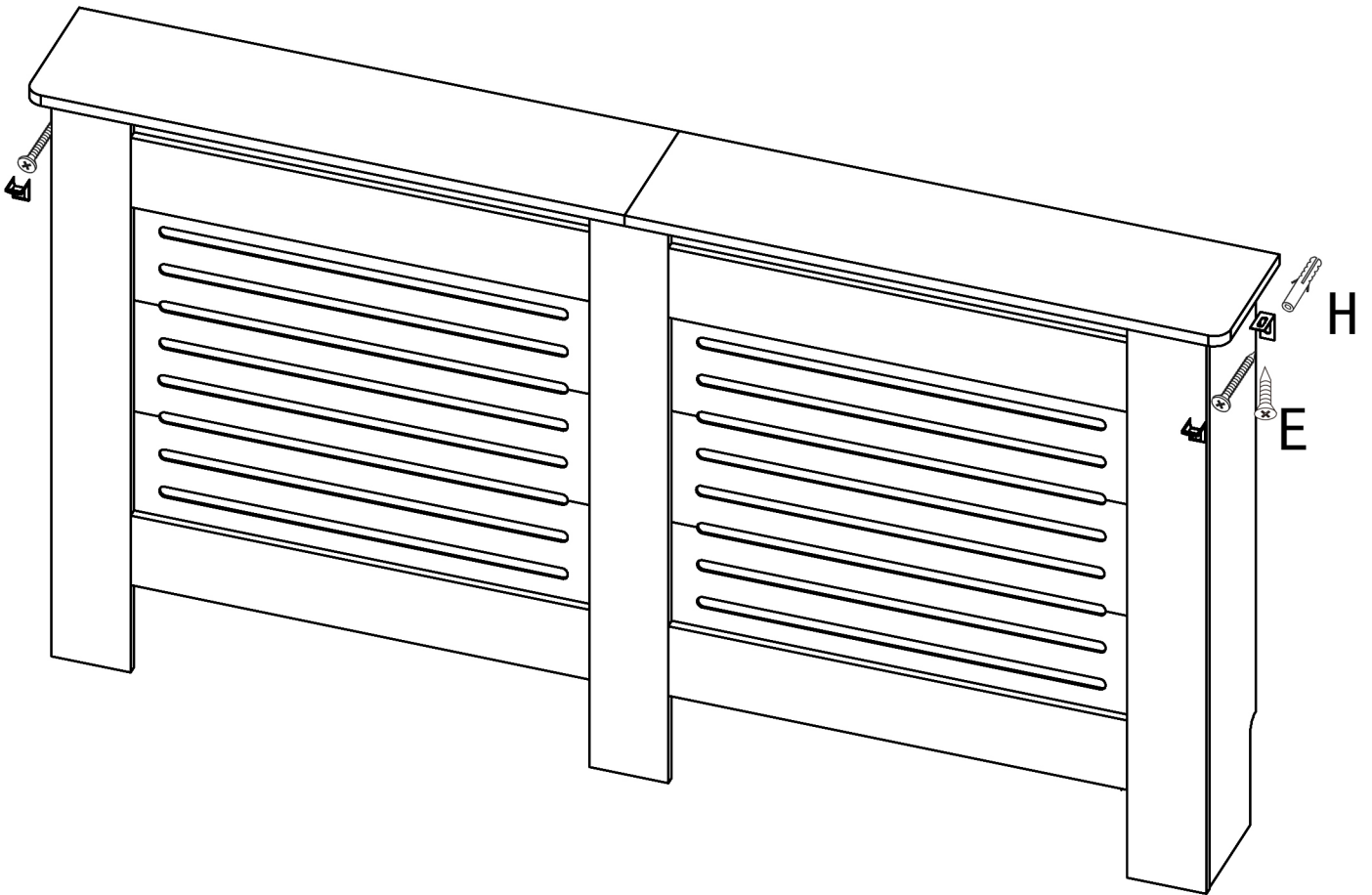
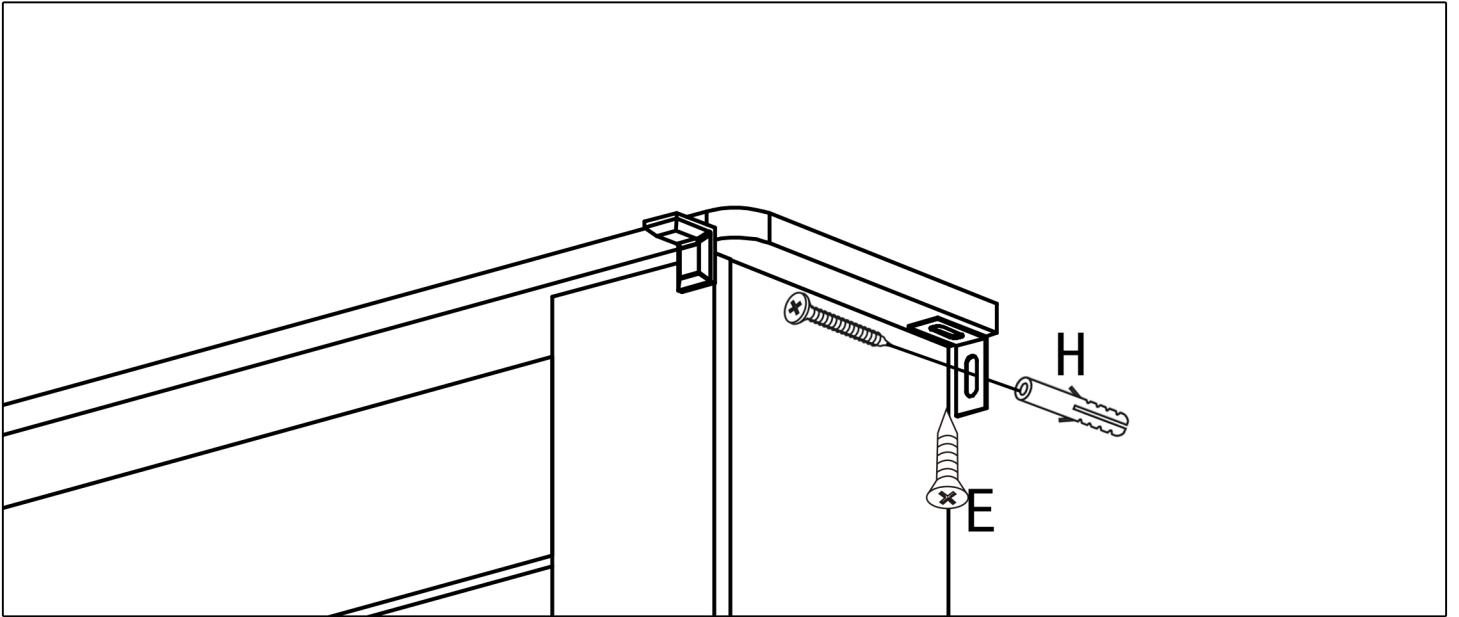
Dx2 Ex4 Jx1

Step 5



Ax8 Bx8

Step 6



Ex2 Hx2