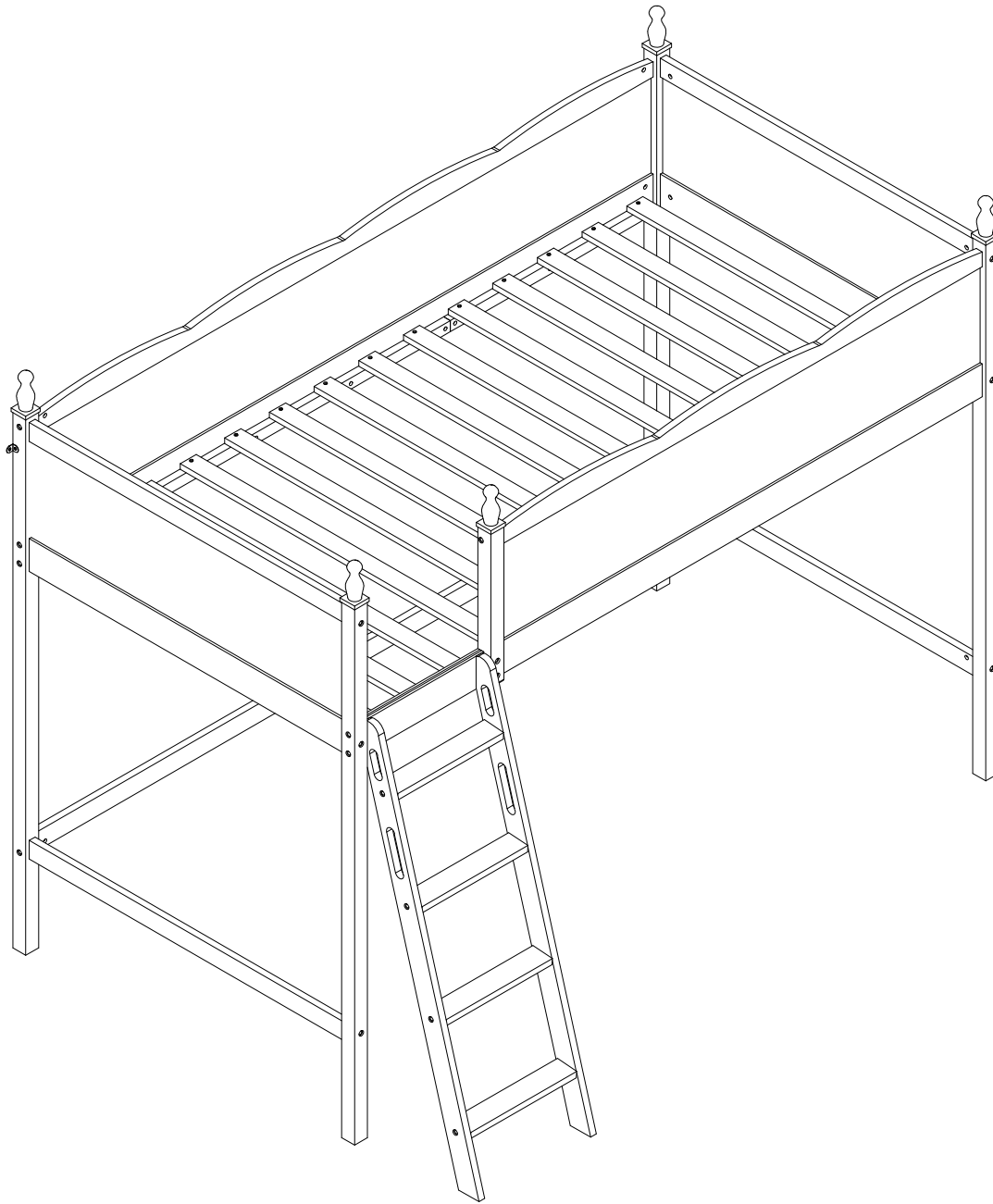


ASSEMBLY INSTRUCTIONS

ITEM CODE : RH00086
TWIN LOFT BED



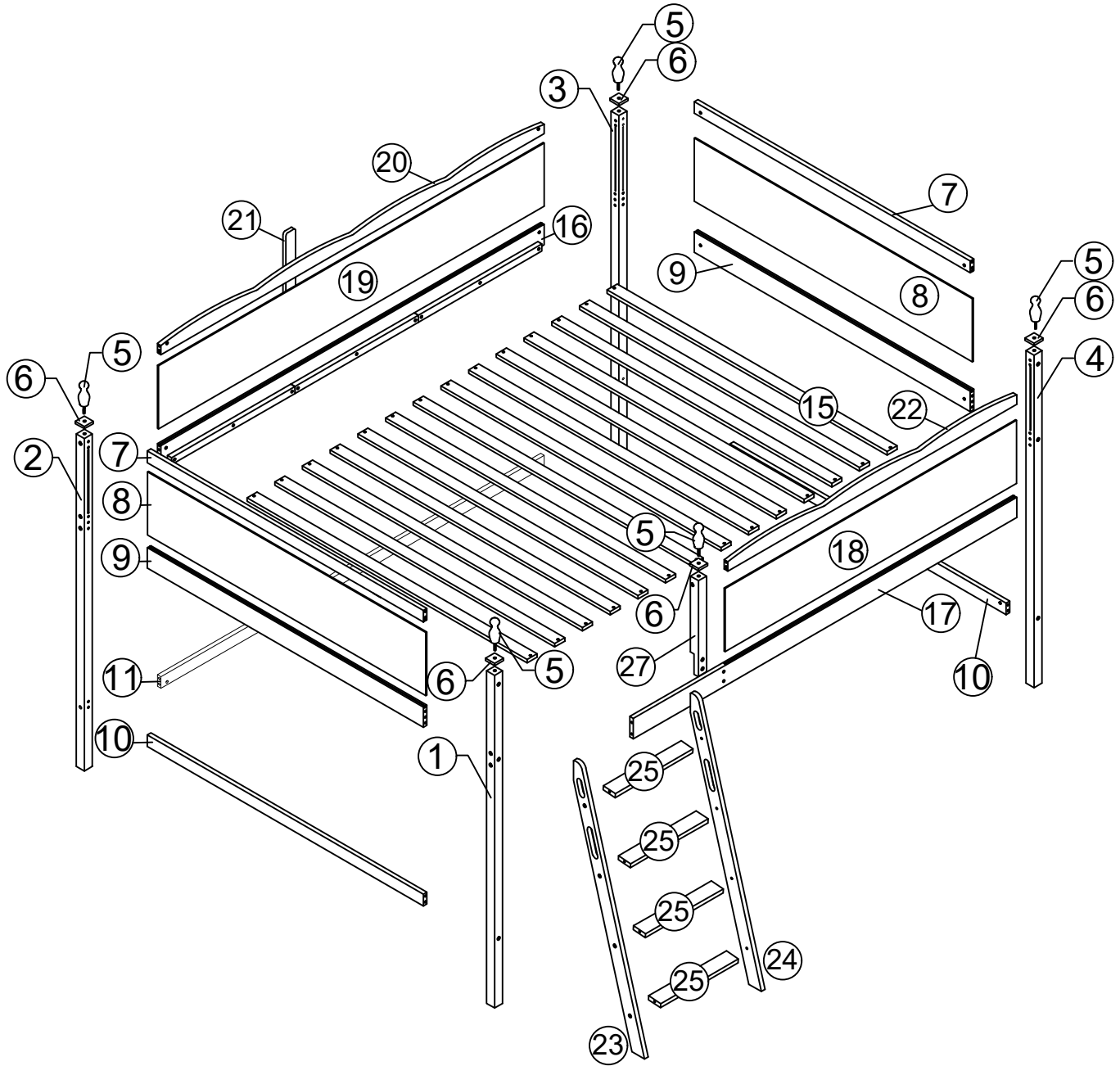
! SAFETY WARNINGS !

1. This bed is designed for use only mattress(es) meeting the following specifications on the upper bunk:


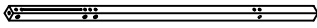

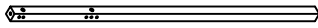

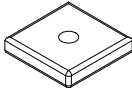

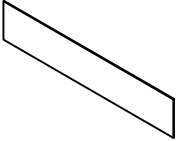


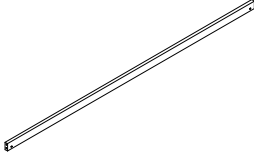
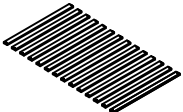
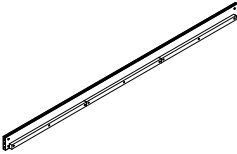
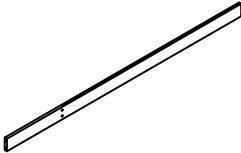
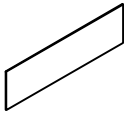
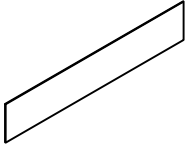
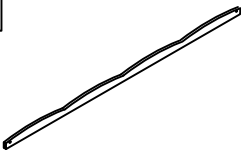




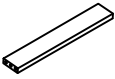
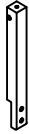
Bed type	Length	Width	Thickness
Twin Standard	75"	38"1/2	6" max

2. Replacement parts, including additional guardrails, may be obtained from any of our (YEUK FUNG GQ INTERNATIONAL LIMITED, FLAT/RM 1602, 16/F MULTIFIELD COMMERCIAL CENTRE, 426 SHANGHAI STREET MONGKOK KL, 999077) dealers
3. Follow the information on the warnings appearing on the upper bunk bed end structure and on the carton. Do not remove warning label from bed.
4. Always use the recommended size mattresses or mattress supports, or both, to help prevent the likelihood of entrapment or falls.
5. Surface of the mattress must be at least 5 in. (127 mm) below the upper edge of guardrails.
6. Do not allow children under 6 years of age to use the upper bunk.
7. Periodically check and ensure that the guardrail, ladder, and other components are in their proper position, free from damage, and that all connectors are tight.
8. Do not allow horseplay on or under the bed and prohibit jumping on the bed
9. Always use the ladder for entering and leaving the upper bunk.
10. Do not use substitute parts. Contact the manufacturer or dealer for replacement parts.
11. Use of a night light may provided added safety precaution for a child using the upper bunk.
12. Always use guardrails on both long sides of the upper bunk. If the bunk bed will be placed next to the wall, the guardrail that runs the full length of the bed should be placed against the wall to prevent entrapment between the bed and wall.
13. The use of water or sleep flotation mattresses is prohibited.
14. STRANGULATION HAZARD – Never attach or hang items to any part of the bunk bed that are not designed for use with the bed; for axample, but not limited, hook, belts and jump ropes.
15. Keep these instructions for future reference
16. Prohidit more than one person on upper bunk .
17. We recommend assembling your bunk bed on the shipping carton to protect your floor or carpet .
18. Be caertain all staples are out of the box before beginning assembly on the shipping carton .

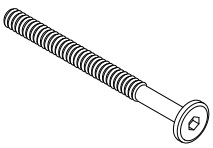
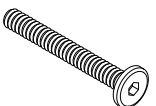
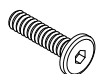
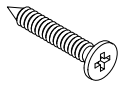
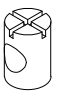

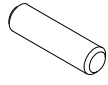
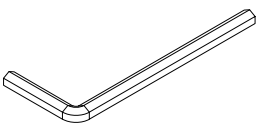

DETAIL VIEW



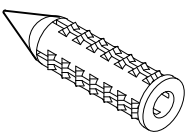
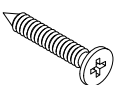
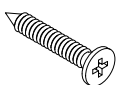
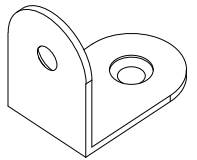
Part Lists: RH00086

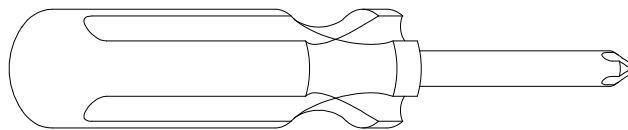
<p>1</p>  <p>Front leg (left) - 1pc</p>	<p>2</p>  <p>Rear leg (left) - 1pc</p>	<p>3</p>  <p>Rear leg (right) - 1pc</p>	<p>4</p>  <p>Front leg (right) - 1pc</p>
<p>5</p>  <p>(Wood) Top decor - leg (5pcs)</p>	<p>6</p>  <p>(Wood) Top decor - leg (5pcs)</p>	<p>7</p>  <p>Top bar - 2pcs</p>	<p>8</p>  <p>Panel - 2pcs</p>
<p>9</p>  <p>Lower bar - 2pcs</p>	<p>10</p>  <p>Bottom bar (Left/right) - 2pcs</p>	<p>11</p>  <p>Rear crossbar (lower) - 1pc</p>	<p>15</p>  <p>Slats - 14pcs</p>
<p>16</p>  <p>Bed shoulder (rear) - 1pc</p>	<p>17</p>  <p>Bed shoulder (front) - 1pc</p>	<p>18</p>  <p>Front panel - 1pc</p>	<p>19</p>  <p>Back panel - 1pc</p>
<p>20</p>  <p>Rear crossbar (upper) - 1pc</p>	<p>21</p>  <p>Rear link bar - 1pc</p>	<p>22</p>  <p>Front crossbar (upper) - 1pc</p>	<p>23</p>  <p>Left vertical bar (stairs) - 1pc</p>
<p>24</p>  <p>Right vertical bar (stairs) - 1pc</p>	<p>25</p>  <p>Stairs - 4pcs</p>	<p>27</p>  <p>Post vertical rail - front - 1pc</p>	

HARDWARE LIST : RH00086

<p>A</p>  <p>Hex - Head bolts / Ø1/4" * 80- 26pcs</p>	<p>B</p>  <p>Hex - Head bolts / Ø1/4" * 60- 8pcs</p>	<p>C</p>  <p>Hex - Head bolts / Ø1/4" * 25 - 1pc</p>	<p>D</p>  <p>Wood screws M4 * 25 - 30pcs</p>
<p>E</p>  <p>Horizontal - Hold bolts Ø1/4" - 34pcs</p>	<p>F</p>  <p>Canopy head though Ø1/4" - 1pc</p>	<p>G</p>  <p>Wood dowel Ø8 * 30 - 42pcs</p>	<p>H</p>  <p>Allen key K4 - 2pcs</p>
<p>K</p>  <p>Hex - Head bolts Ø1/4" * 30 - 3pcs</p>			

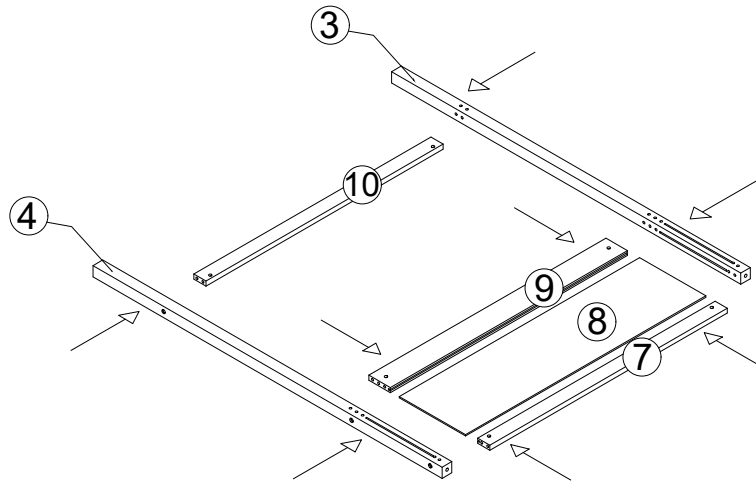
HARDWARE FOR ANTI-TIP KIT : RH00086

<p>L</p>  <p>Plastic anchor - 2pcs</p>	<p>M</p>  <p>Wood - long screws - 2pcs</p>	<p>O</p>  <p>Wood - short screws - 2pcs</p>	<p>P</p>  <p>L - brackets - 2pcs</p>
--	--	--	--



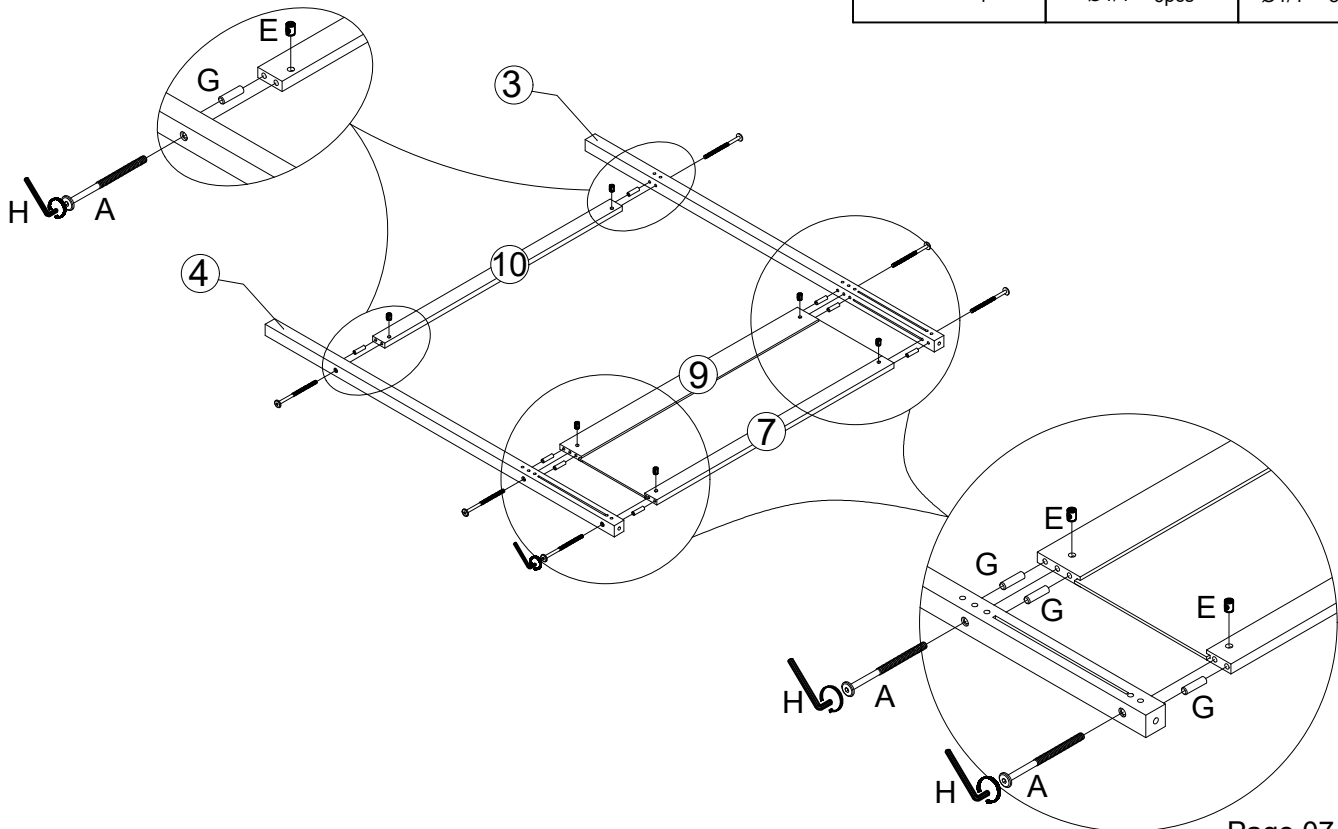
Assembly Tools Required (Not Included)

STEP 3






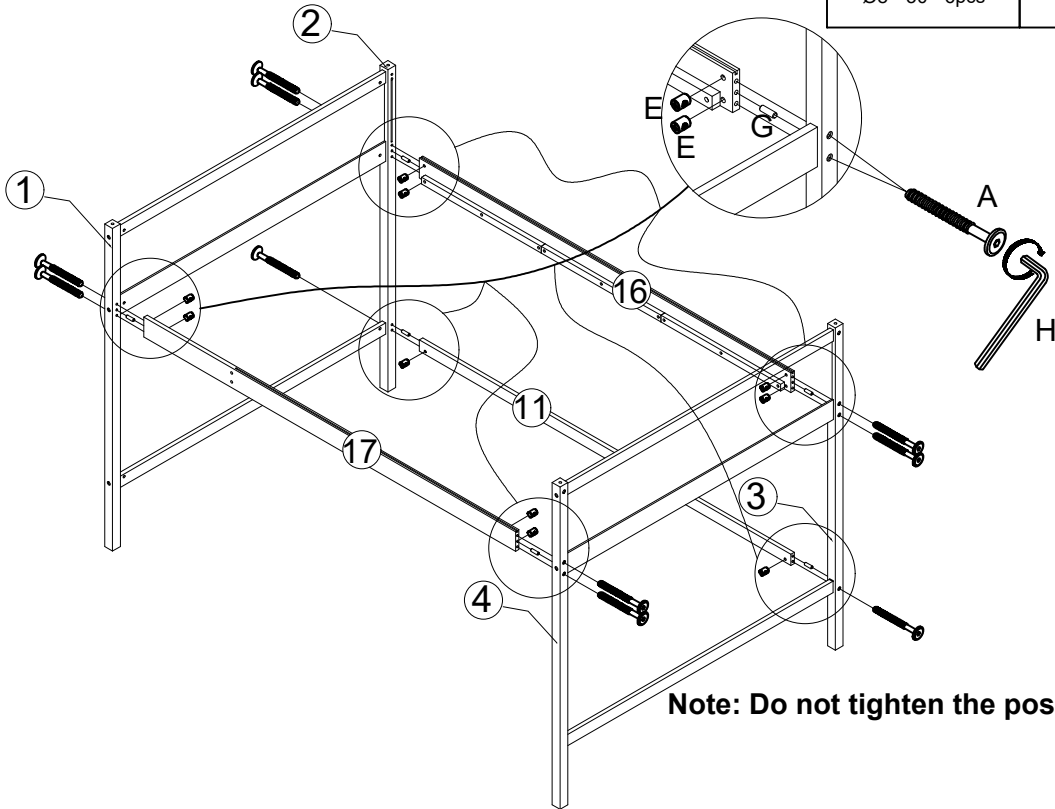
STEP 4

G Ø8 * 30 - 8pcs	E Ø1/4" - 6pcs	A Ø1/4" * 80 - 6pcs
--------------------------------	------------------------------	-----------------------------------



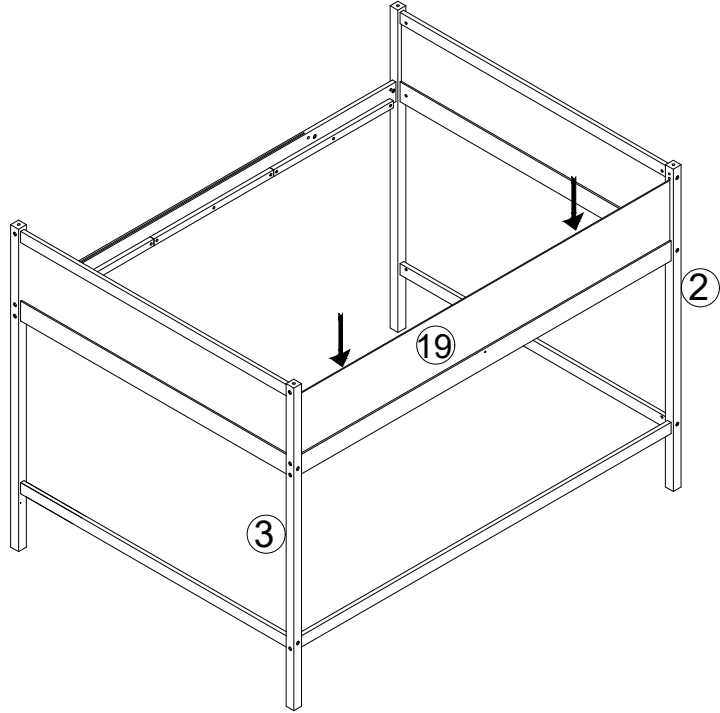
STEP 5

G  Ø8 * 30 - 6pcs	E  Ø1/4" - 10pcs	A  Ø1/4" * 80 - 10pcs
---	--	--





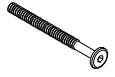
Note: Do not tighten the position ②, ⑬ and ③, ⑬.

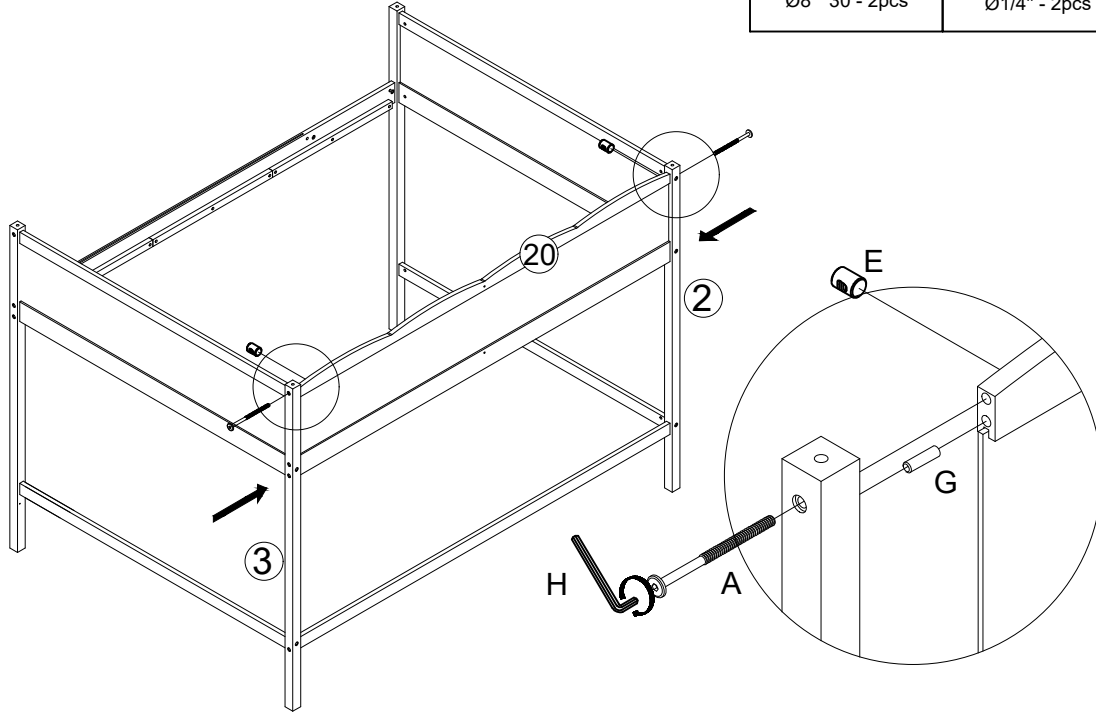
STEP 6



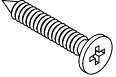
- Place board ⑱ in position as shown in the image.

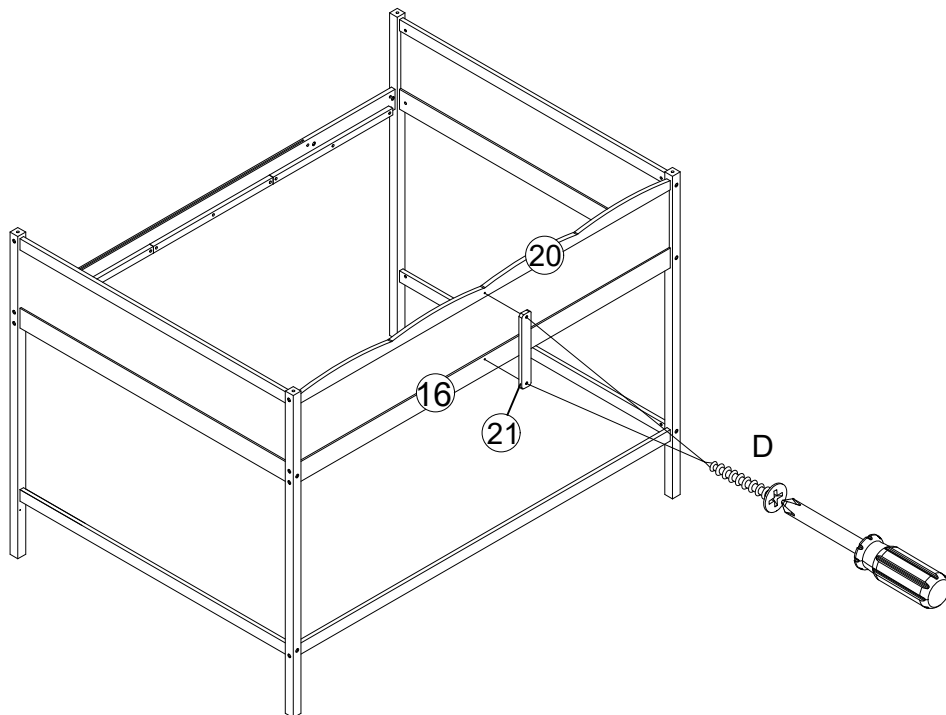
STEP 7

G  Ø8 * 30 - 2pcs	E  Ø1/4" - 2pcs	A  Ø1/4" * 80 - 2pcs
---	---	---

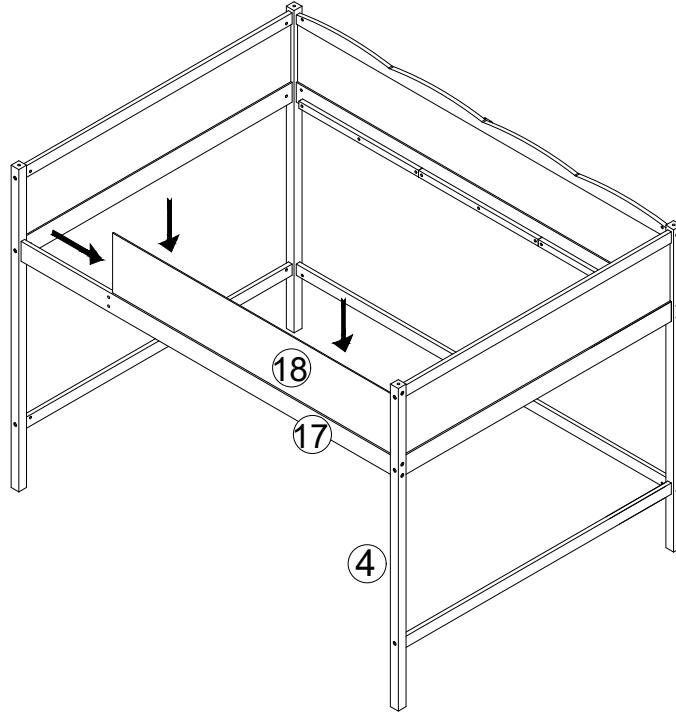


STEP 8

D  M4*25 - 2pcs

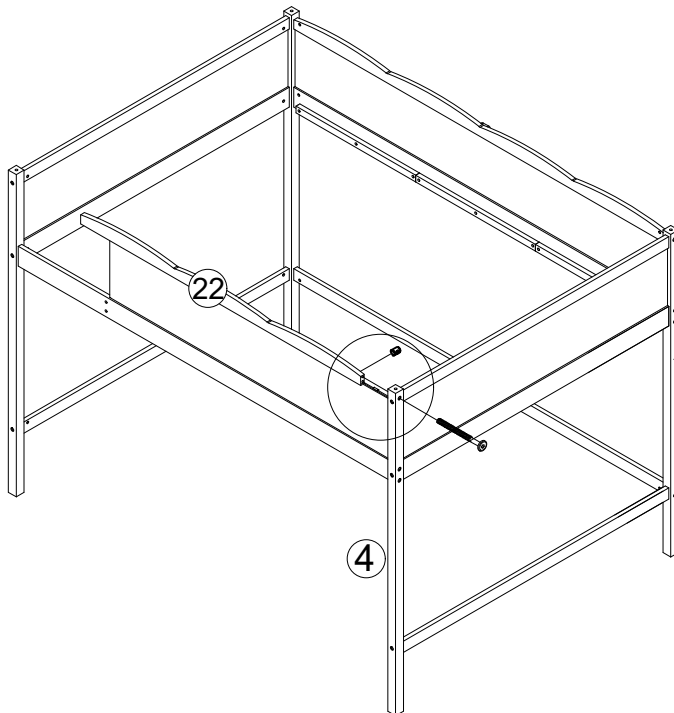


STEP 9



- Place board 18 on top of bar 17, then push it against leg number 4.

STEP 10



G



Ø8 * 30 - 1pc

E

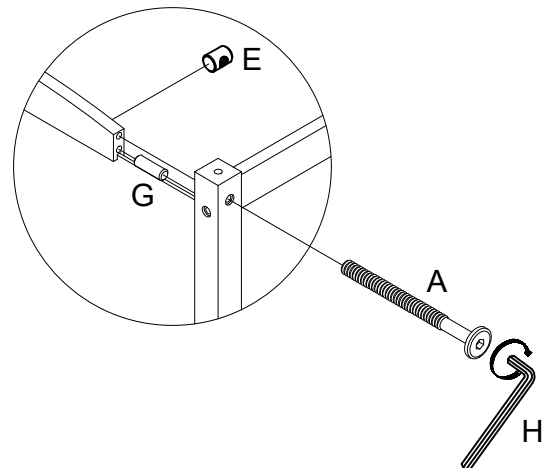


Ø1/4" - 1pc





A





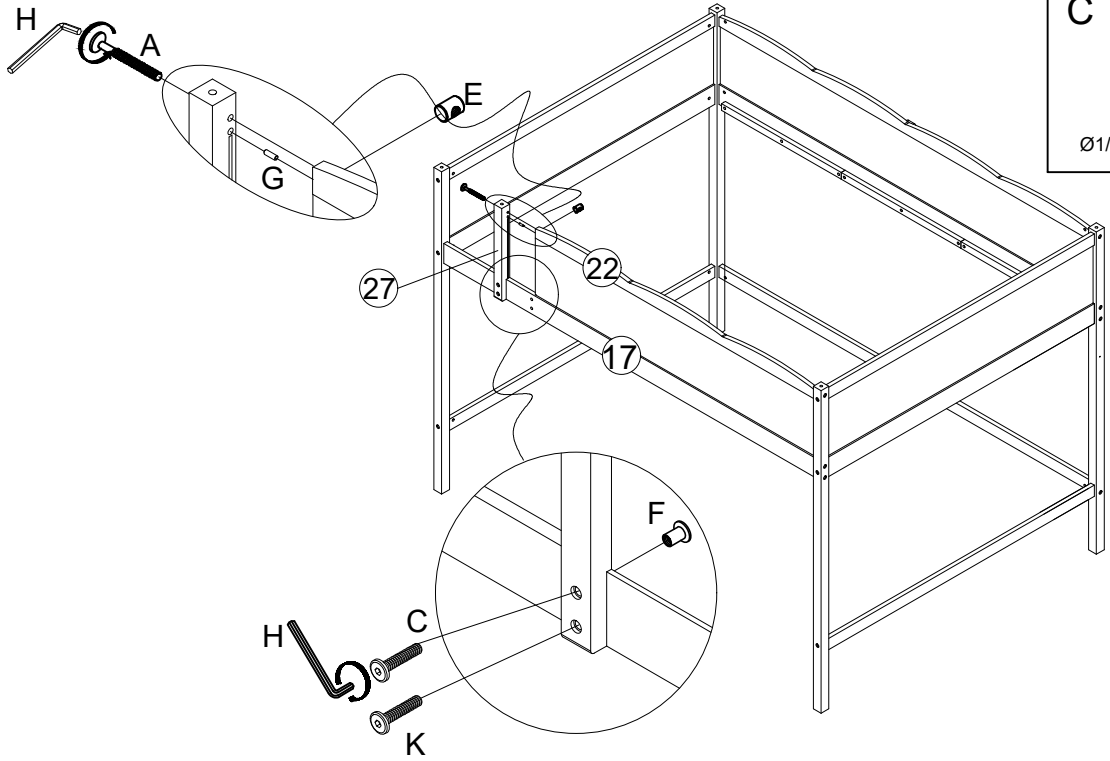
Ø1/4" * 80 - 1pc






STEP 11

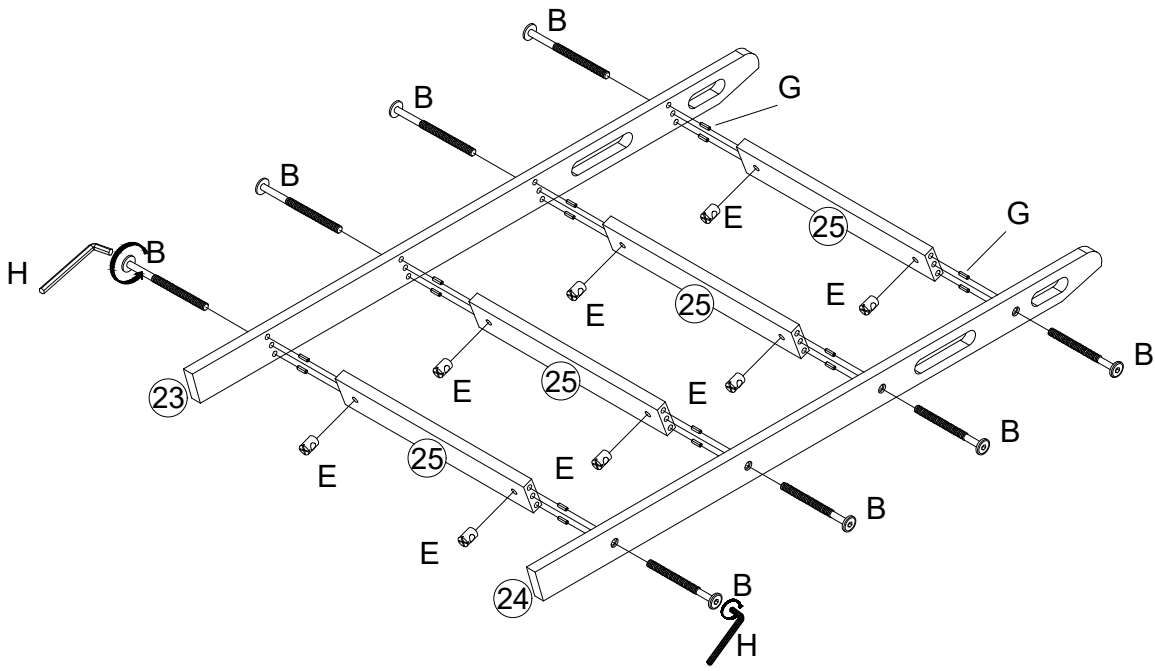
<p>K</p>  <p>Ø1/4" * 30 - 1pc</p>	<p>G</p>  <p>Ø8 * 30 - 1pc</p>	<p>E</p>  <p>Ø1/4" - 1pc</p>	<p>A</p>  <p>Ø1/4" * 80 - 1pc</p>
---	--	--	---

<p>C</p>  <p>Ø1/4" * 25 - 1pc</p>	<p>F</p>  <p>Ø1/4" - 1pc</p>
---	--



STEP 12

<p>G</p>  <p>Ø8 * 30 - 16pcs</p>	<p>E</p>  <p>Ø1/4" - 8pcs</p>	<p>B</p>  <p>Ø1/4" * 60 - 8pcs</p>
--	---	--

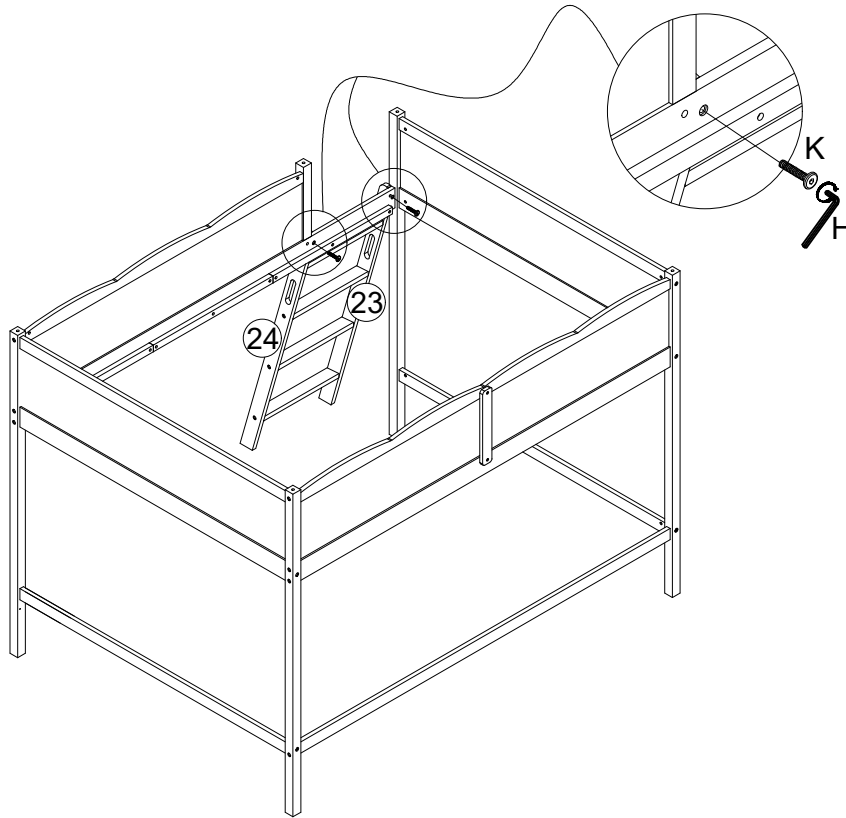


STEP 13

K



Ø1/4"×30 - 2pcs

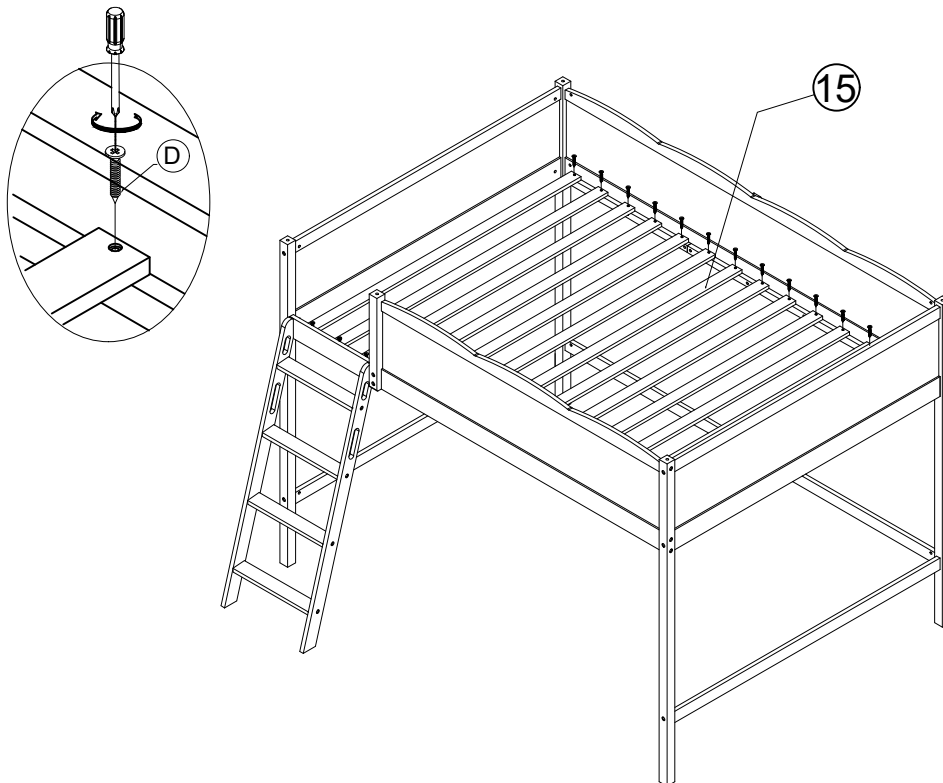


STEP 14

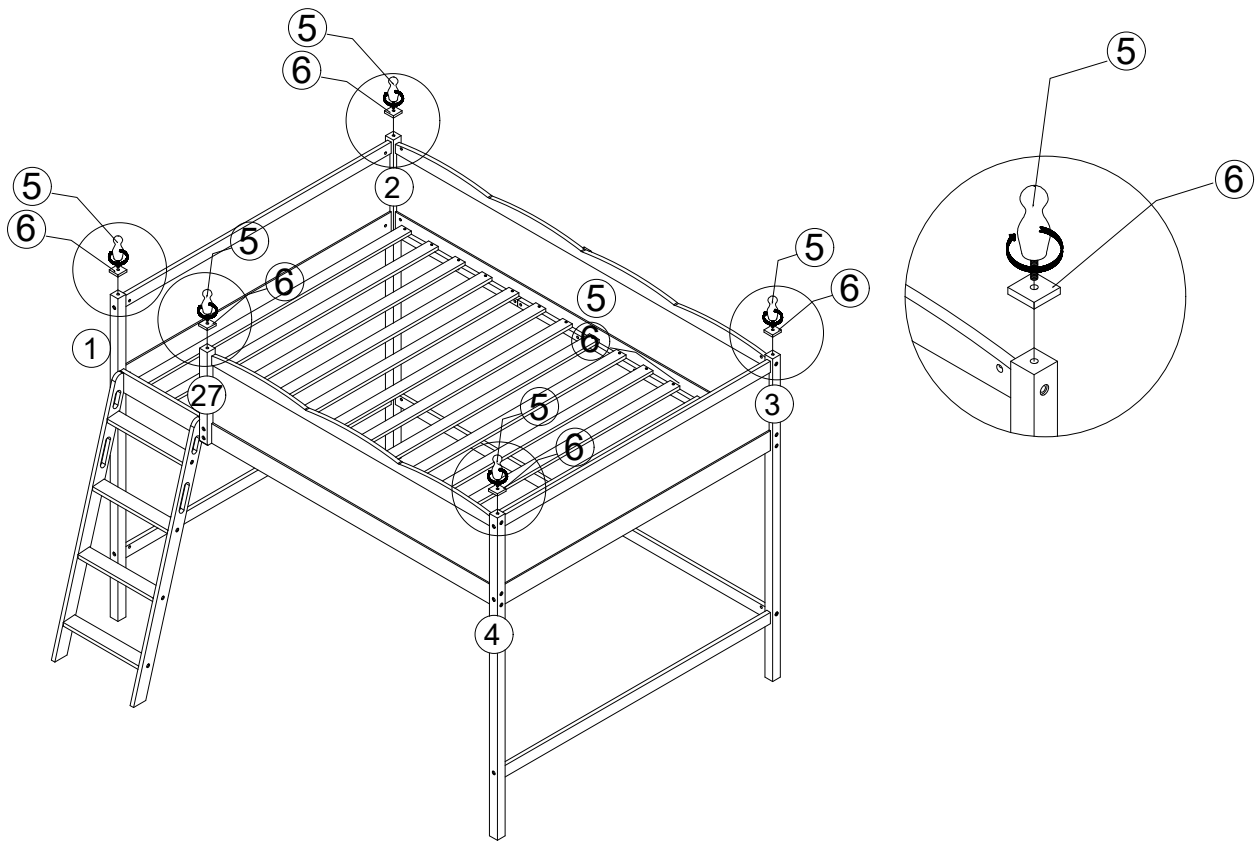
D



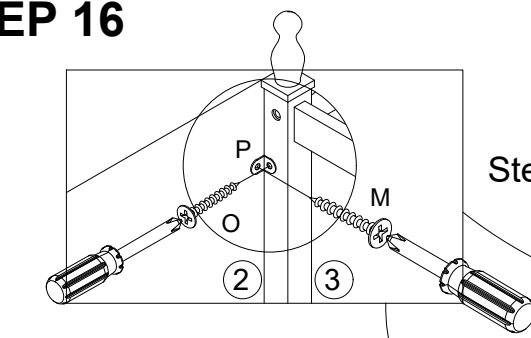
M4 * 25 - 28pcs







STEP 15



STEP 16



<p>L</p>  <p>Plastic anchor - 2pcs</p>	<p>M</p>  <p>Long screw - 2pcs</p>	<p>P</p>  <p>L-bracket - 2pcs</p>	<p>O</p>  <p>Short screw - 2pcs</p>
---	--	---	---

Step 5

Drilled hole on the wall

Step 4



ANTI-TIP KIT ASSEMBLY

- Step 1: Move and position the bed in the exact location where it will be fixed.
- Step 2: Place the L brackets (P) onto bed legs (2) and (3) and use short screw (O) as shown. Adjust the height to match your wall.
- Step 3: Mark 2 wall drilling points for the 2 L-brackets (P). Move the bed if needed for better access. Drill 8mm holes into the wall to a depth off 40mm.
- Step 4: Install the Plastic anchor (L) into all 2 pre-drilled wall holes.
- Step 5: Move the bed back into place and fix it to the wall using the L-brackets (P) and Long screw (M) as shown.

COMPLETED

