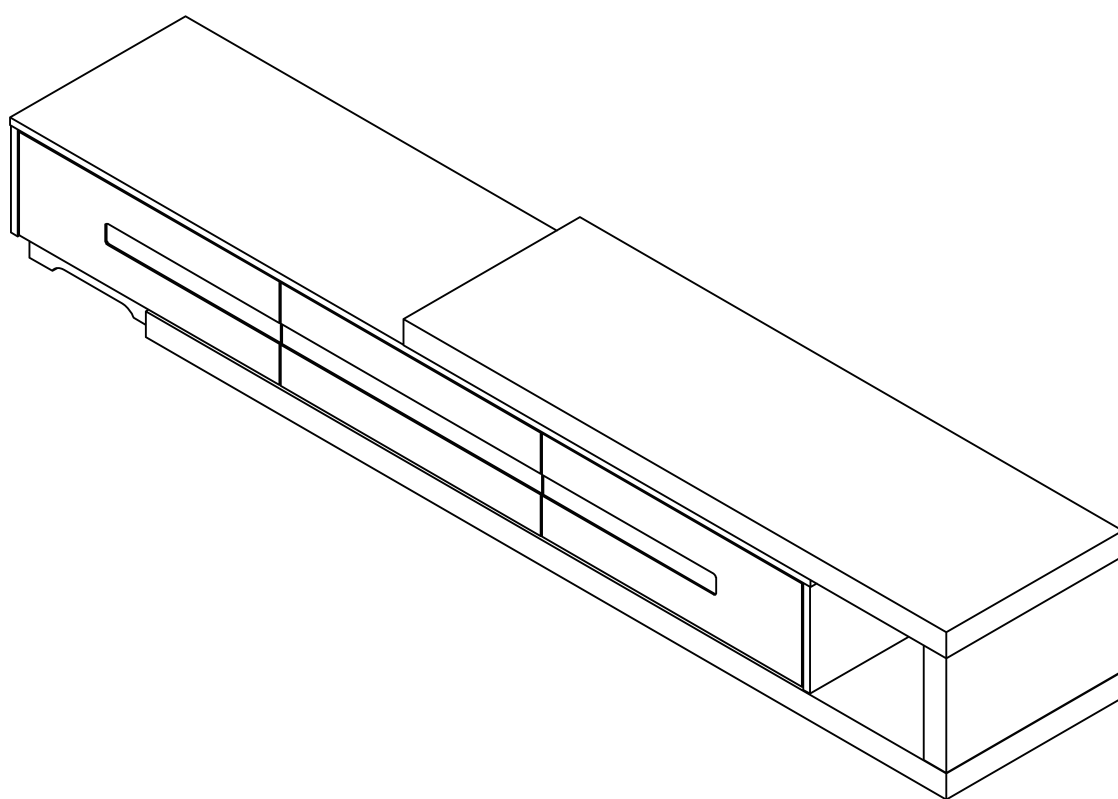
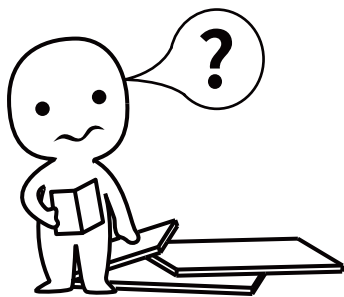


TV TABLE

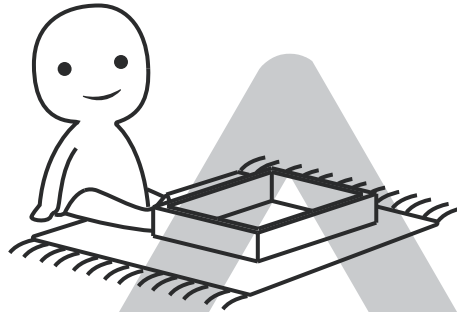
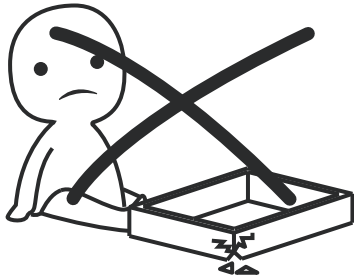
DJ0697





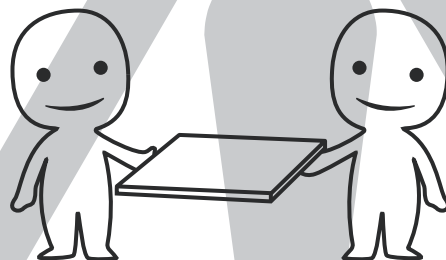
IMPORTANT INFORMATION!

please read the entire manual before starting to assemble and/or using this product. follow the manual thoroughly and keep it for further reference.



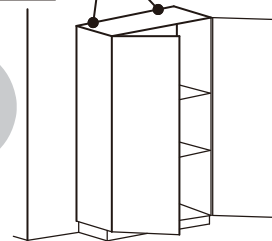
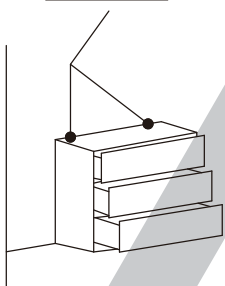
AVOID SCRATCHES!

In order to avoid scratching this furniture should be assembled on a soft layer—could be a rug.



IMPROVE EFFICIENCY !

Try to find a partner to install with you, which can speed up the installation efficiency and shorten the time.



ANTI-TOPPLE WARNING !

Overtipped furniture can cause serious or fatal crush injuries. To prevent tipping over, be sure to use the wall attachment, if not included with this product. Please purchase the wall attachment that fit your wall. If unsure, seek professional advice. Please read and follow each step of the instructions carefully.

IMPORTANT !

It is important that any product which is assembled using any kind of screw is re-tightened 2 weeks after assembly, and once every 3 months - in order to assure stability through-out the lifespan of the product.

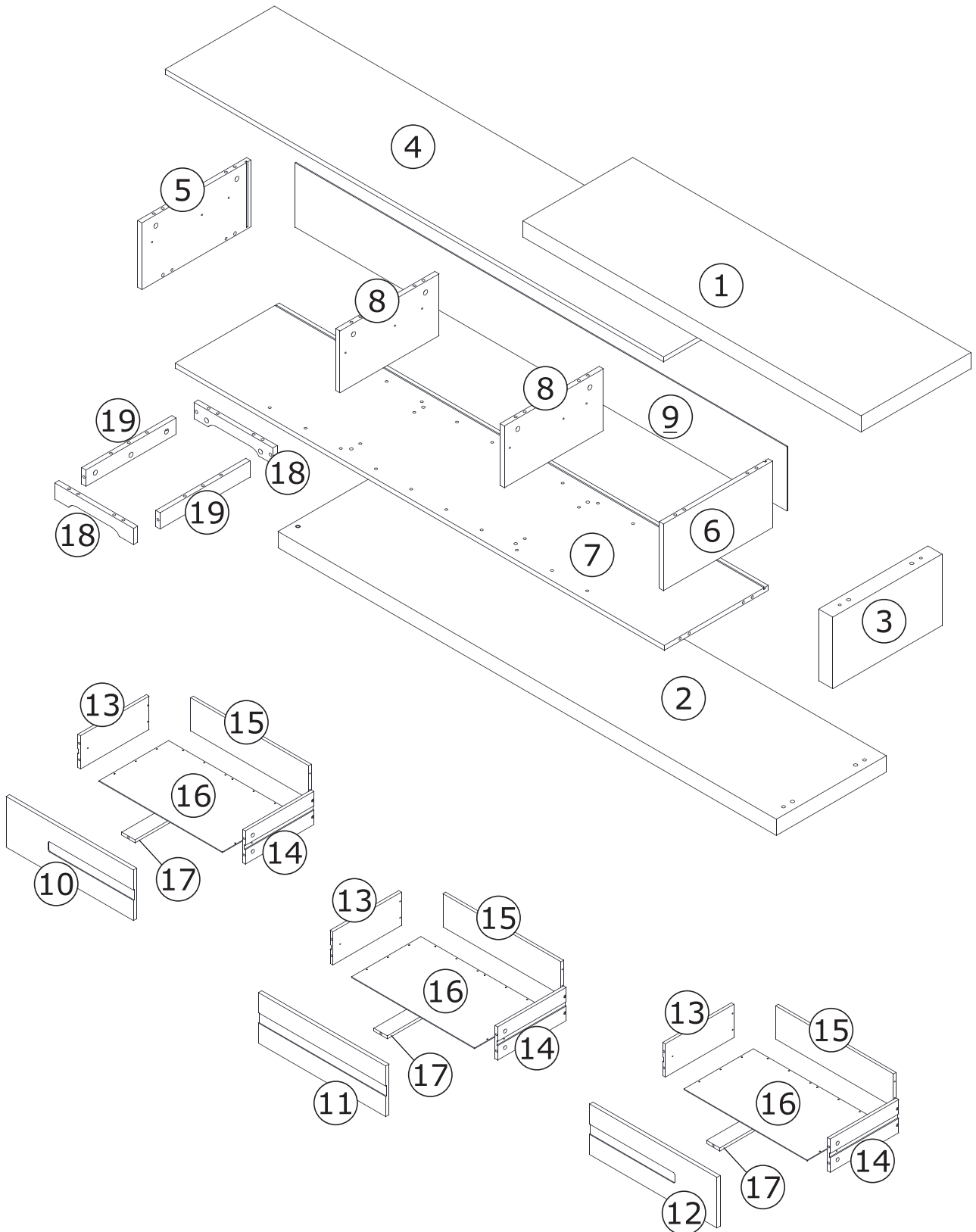
For regular maintenance and cleaning of the product, for the frame, please use a rag dipped in neutral detergent to fully wipe it, and then dry it with a clean rag. For glass materials, wipe with a rag dampened with water glass cleaner, and then dry with a dry rag.

Please use proper tools for assembly. Using an electric screwdriver can accelerate the assembly speed, but please do not overtighten the screws.

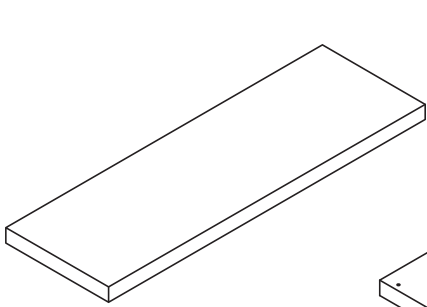
SAFETY TIPS !

Static charge may cause dust on foam - clean with a dry or damp cloth. Small foam strands may be present — handle gently and dispose of properly. Do not burn or incinerate. Check local recycling guidelines.

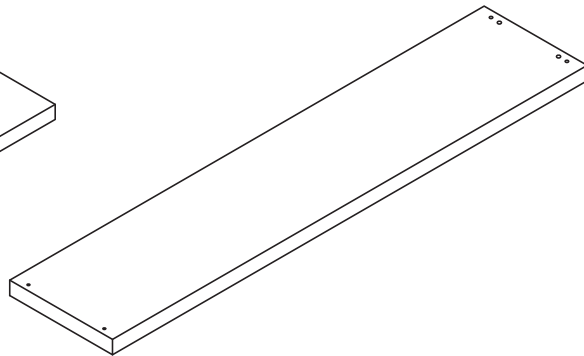
Board Identification



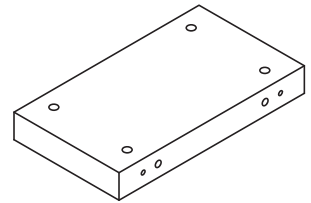
PARTS LIST



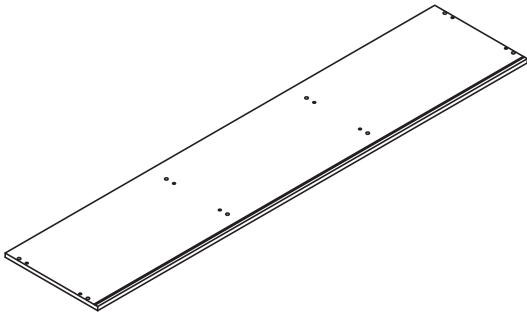
①



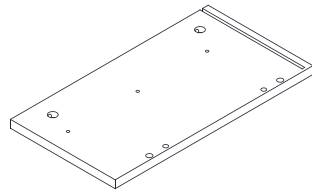
②



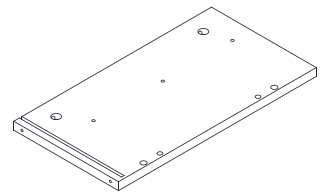
③



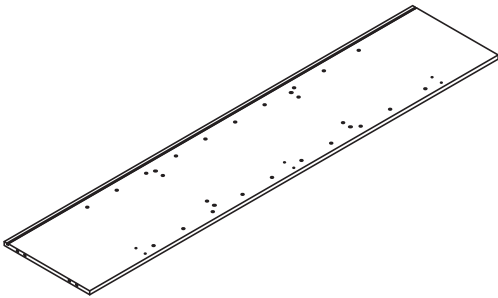
④



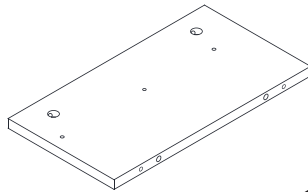
⑤



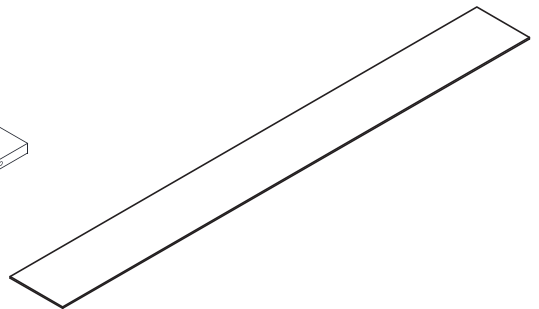
⑥



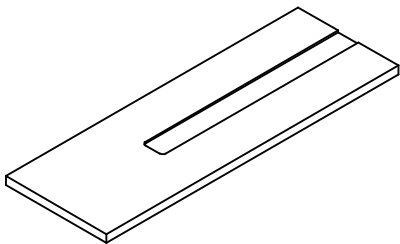
⑦



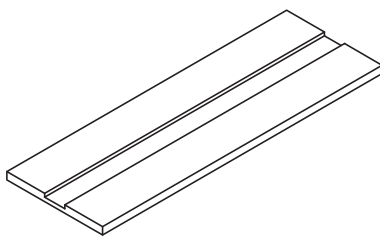
⑧ X2



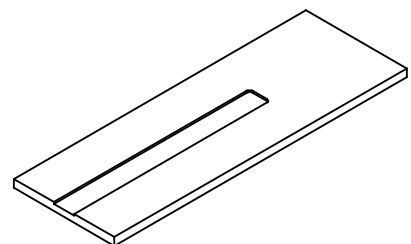
⑨



⑩

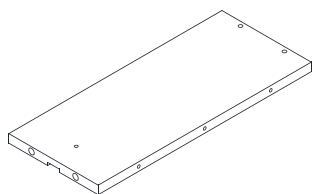


⑪

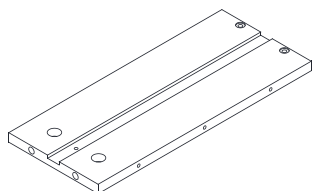


⑫

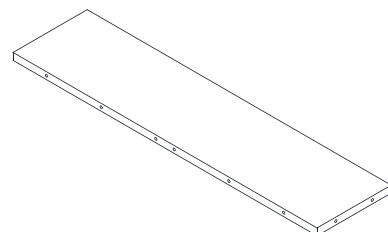
PARTS LIST



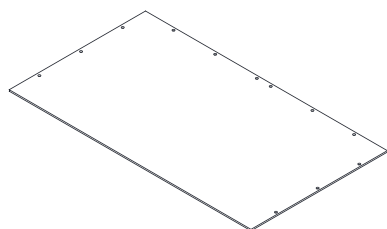
⑬ X3



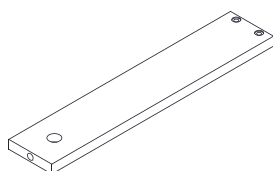
⑭ X3



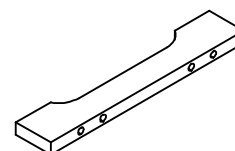
⑮ X3



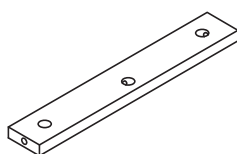
⑯ X3



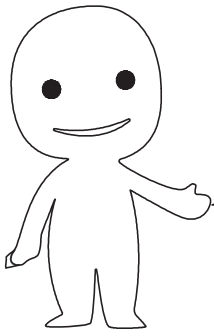
⑰ X3



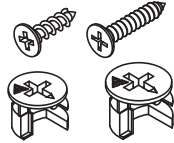
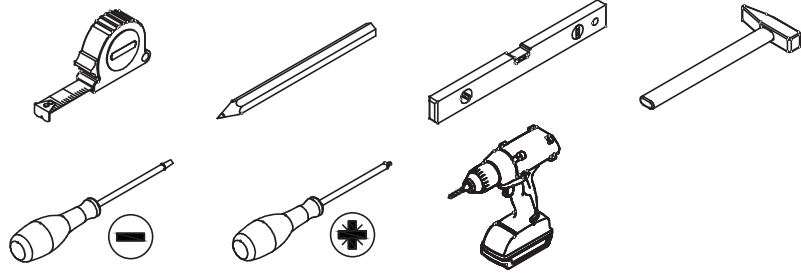
⑱ X2



⑲ X2



Please prepare the following tools

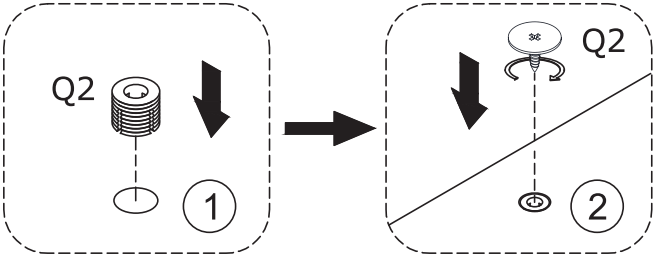
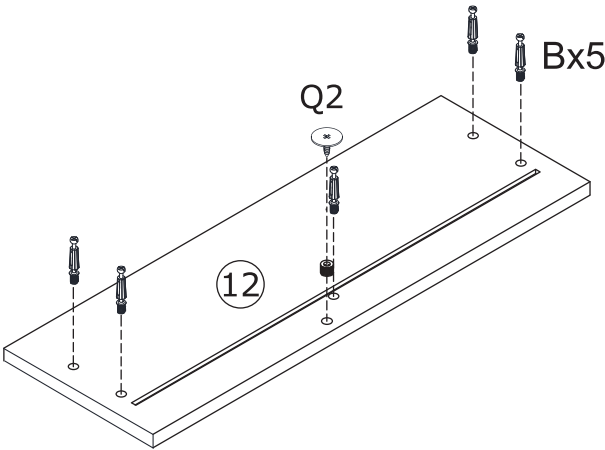
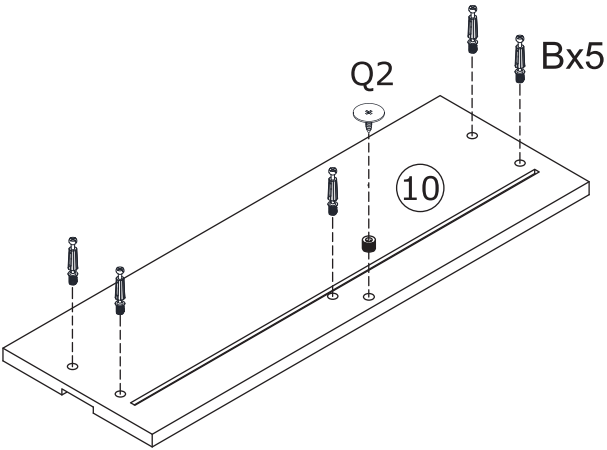
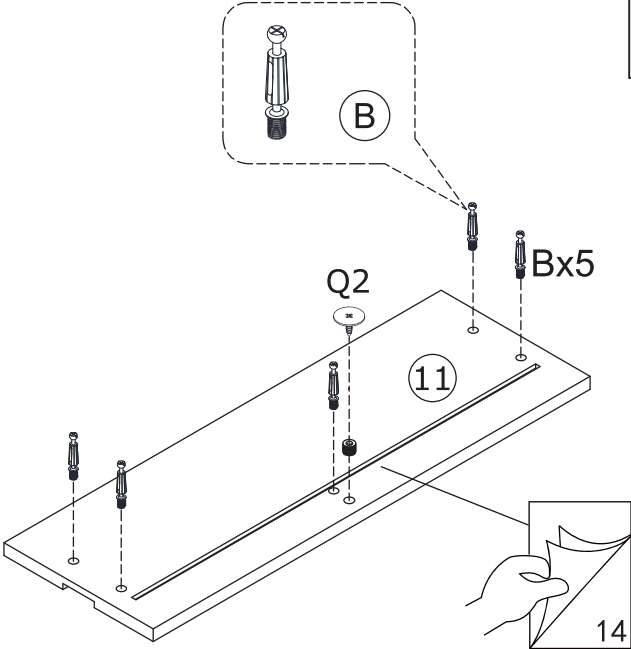
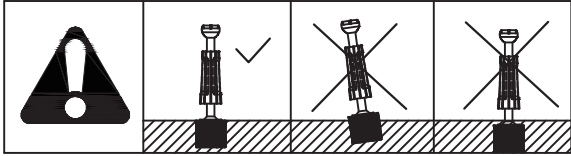
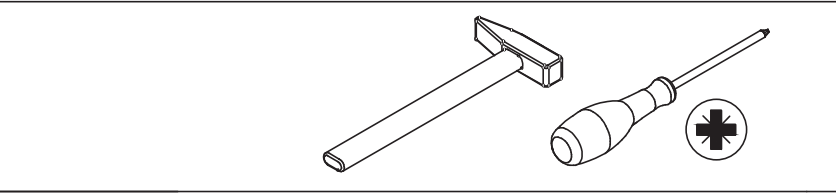
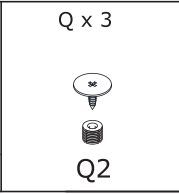
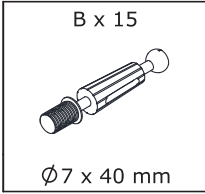


When installing, please carefully confirm whether each screw corresponds to the manual, accessories with similar shapes can be distinguished by size


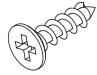
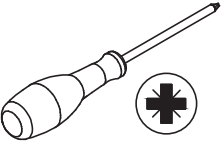
THE SPARE BAG INCLUDED EXTRA HARDWARE FOR DAMAGEO OR MISSING SMALL HARDWARE WHILE YOU ARE ASSEMBLING

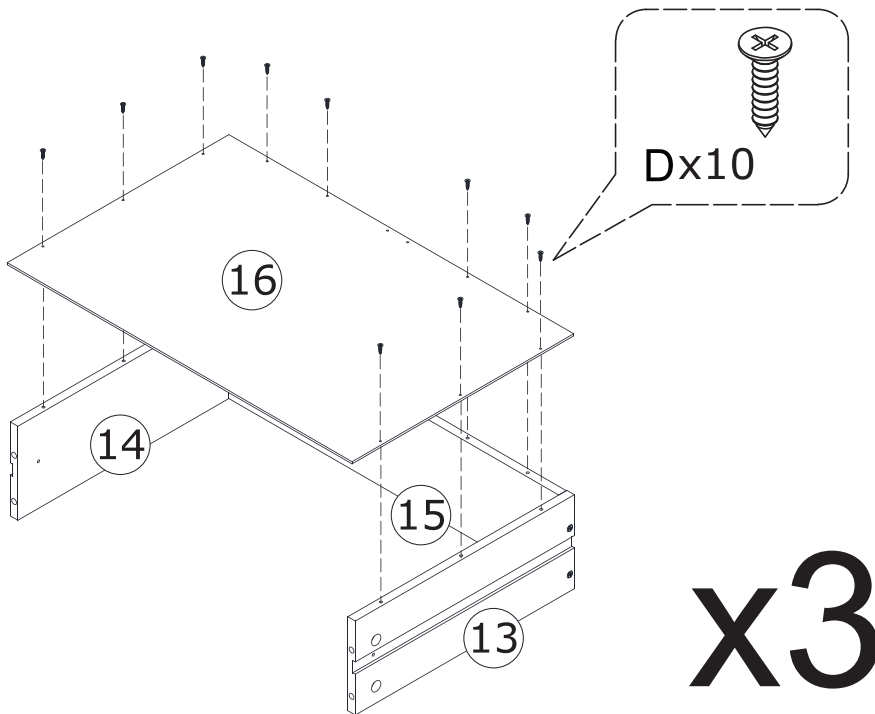
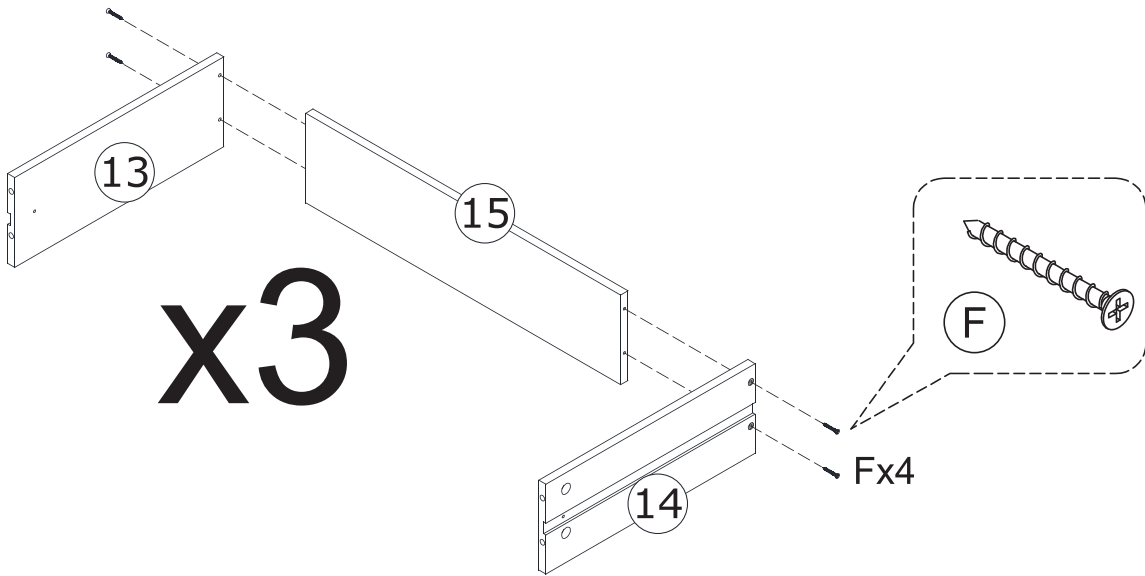
<p>A x 41</p> <p>Ø15 x 9.5 mm</p>	<p>B x 41</p> <p>Ø7 x 40 mm</p>	<p>C x 24</p> <p>Ø8 x 40 mm</p>	<p>D x 34</p> <p>Ø3.5 x 16 mm</p>
<p>E x 4</p> <p>Ø12 x 50 mm</p>	<p>F x 18</p> <p>Ø4 x 35 mm</p>	<p>G x 2</p> <p>Ø6 x 30 mm</p>	<p>H x 6</p> <p>Ø4 x 11 mm</p>
<p>J x 4</p>	<p>K x 37</p>	<p>L x 4</p> <p>Ø5 x 40 mm</p>	<p>M x 10</p>
<p>N x 10</p>	<p>P x 2</p> <p>Ø57 x 16 mm</p>	<p>Q x 3</p> <p>Q1 Q2 Q3</p>	
<p>R x 18</p> <p>Ø3.5 x 14 mm</p>	<p>x 6</p> <p>310 mm</p>	<p>+ 2 SPARE BAG</p>	

1

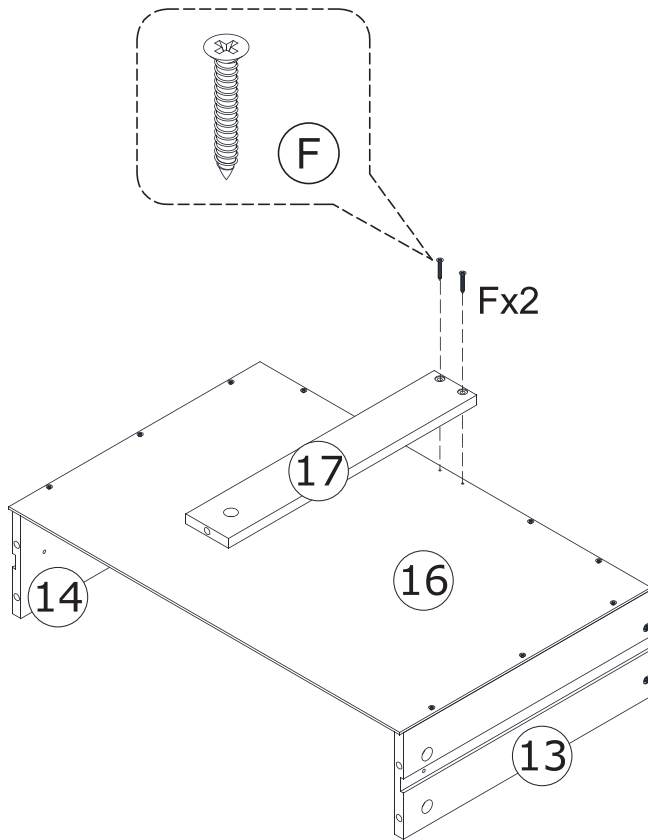
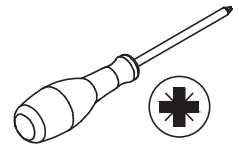
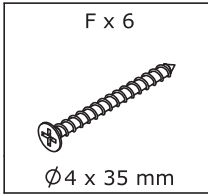


2

<p>F x 12</p>  <p>Ø4 x 35 mm</p>	<p>D x 30</p>  <p>Ø3.5 x 16 mm</p>	 
---	---	---



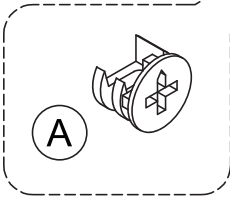
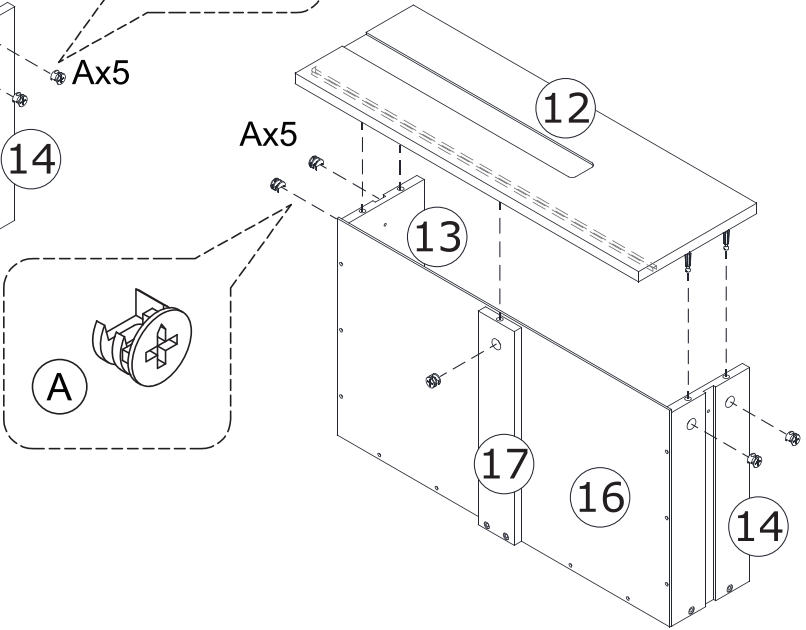
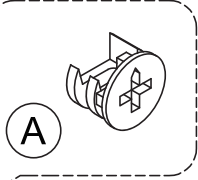
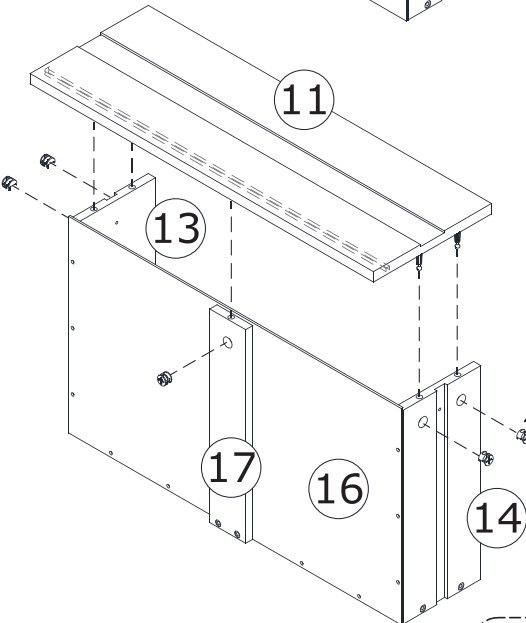
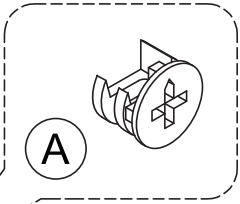
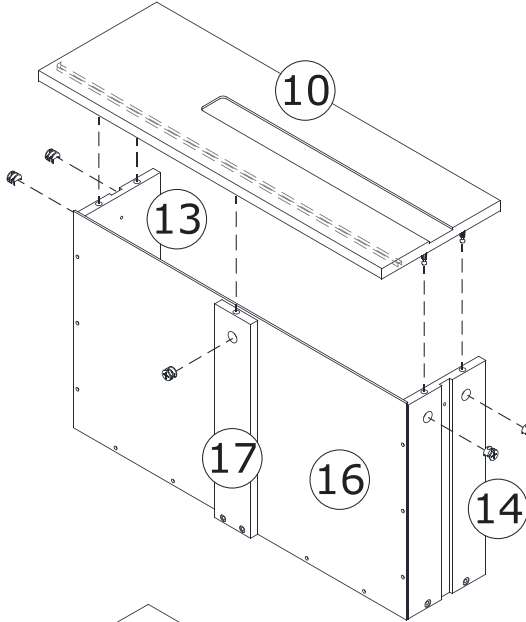
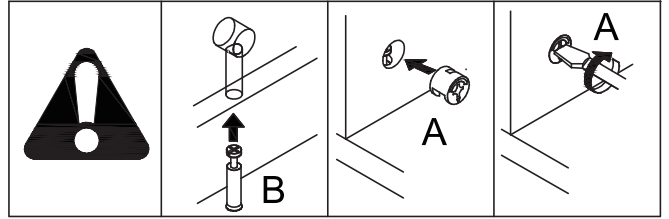
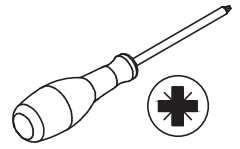
3



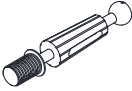
x3

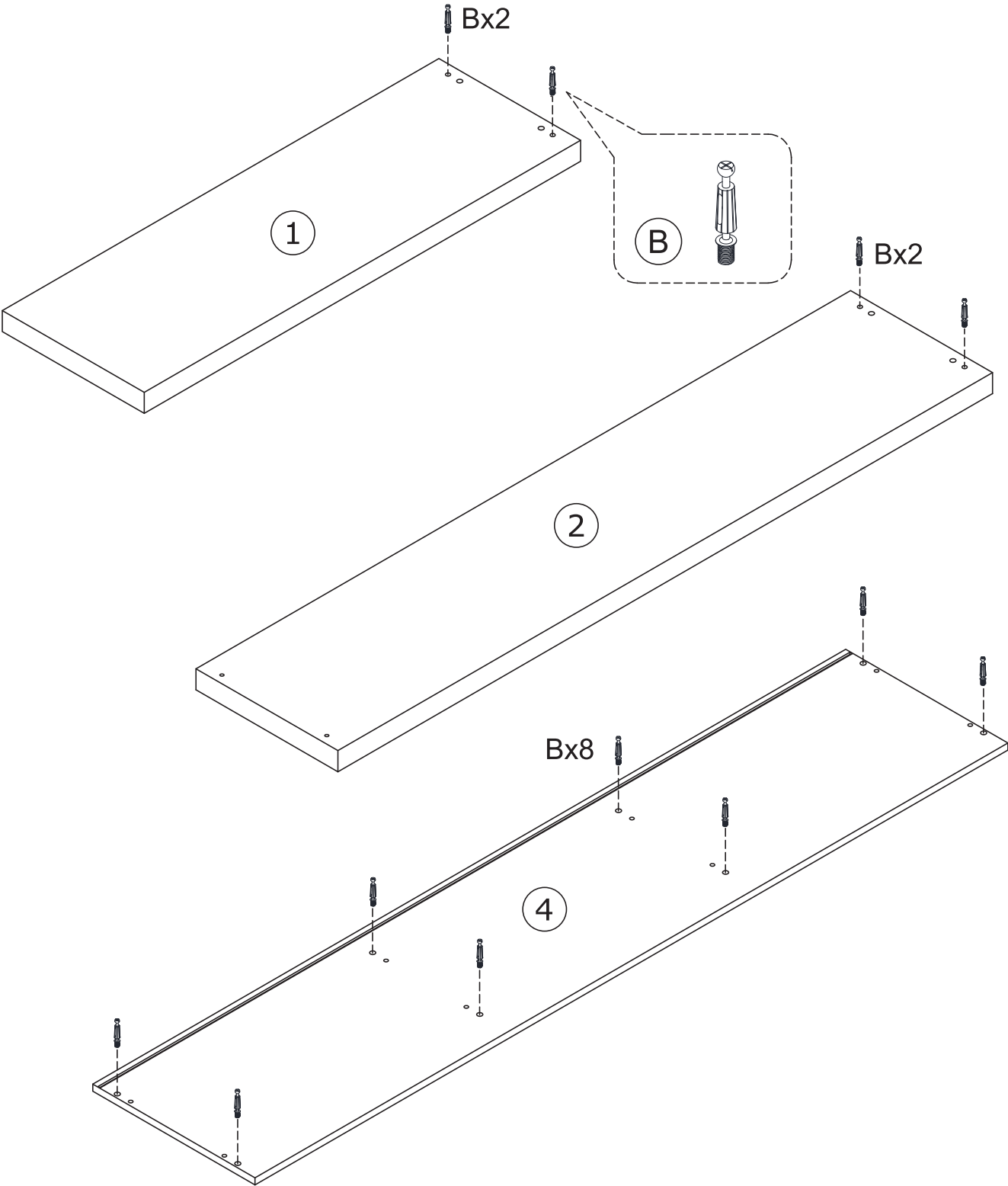
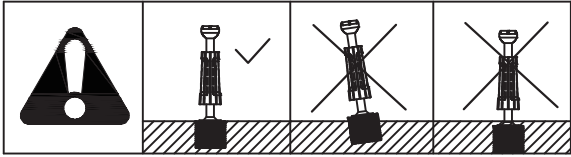
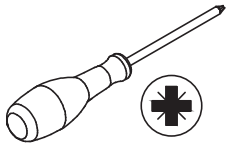
4

A x 15
Ø 15 x 9.5 mm

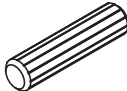
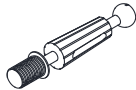
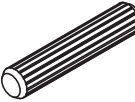
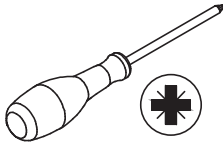



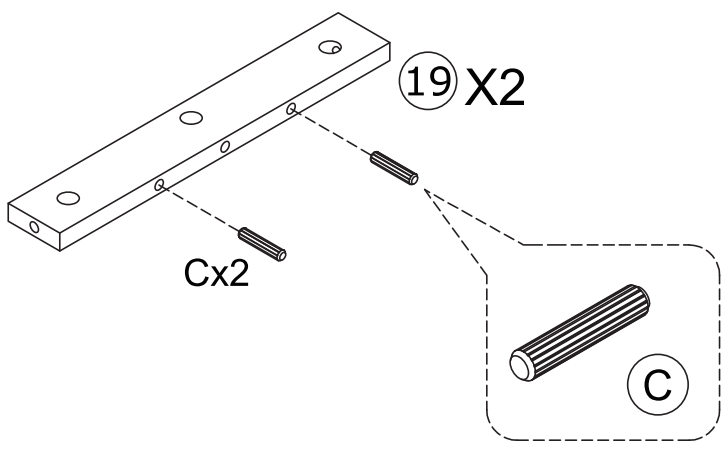
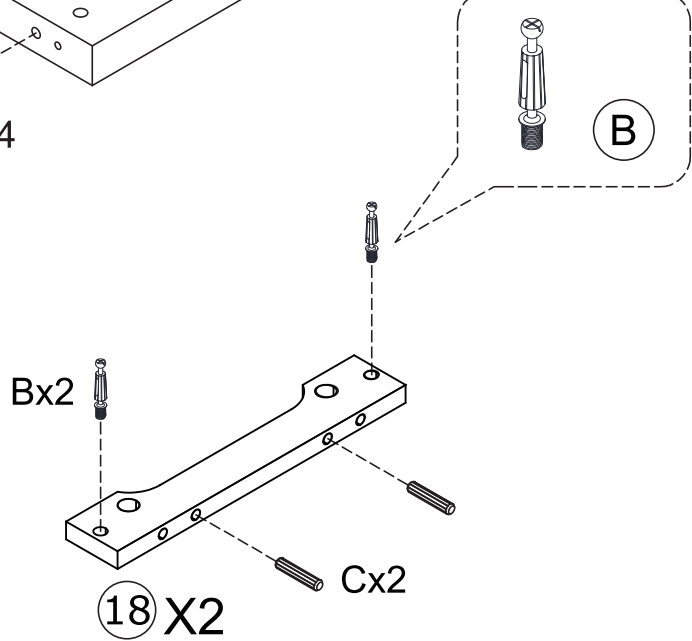
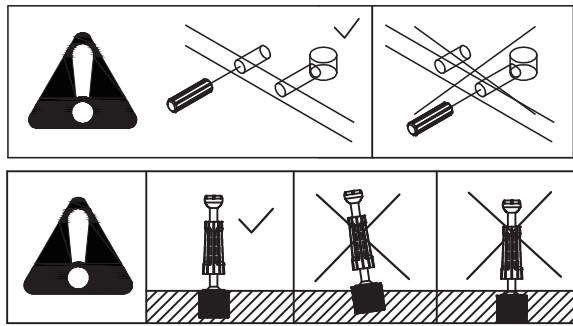
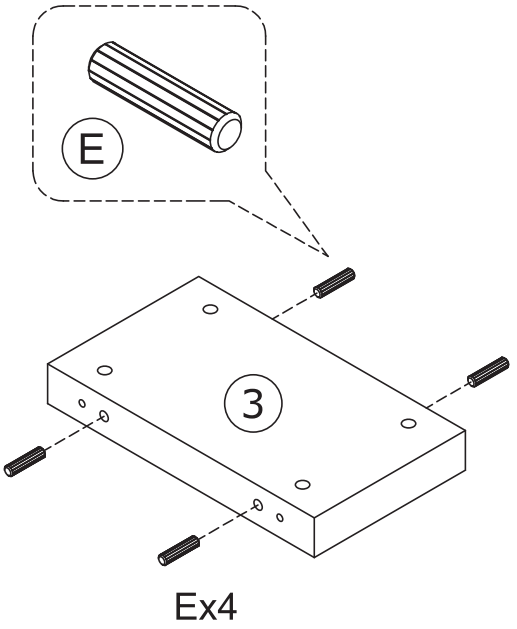
5

B x 12

Ø7 x 40 mm



6

E x 4  Ø 12 x 50 mm	B x 4  Ø 7 x 40 mm	C x 8  Ø 8 x 40 mm	 
--	---	---	--

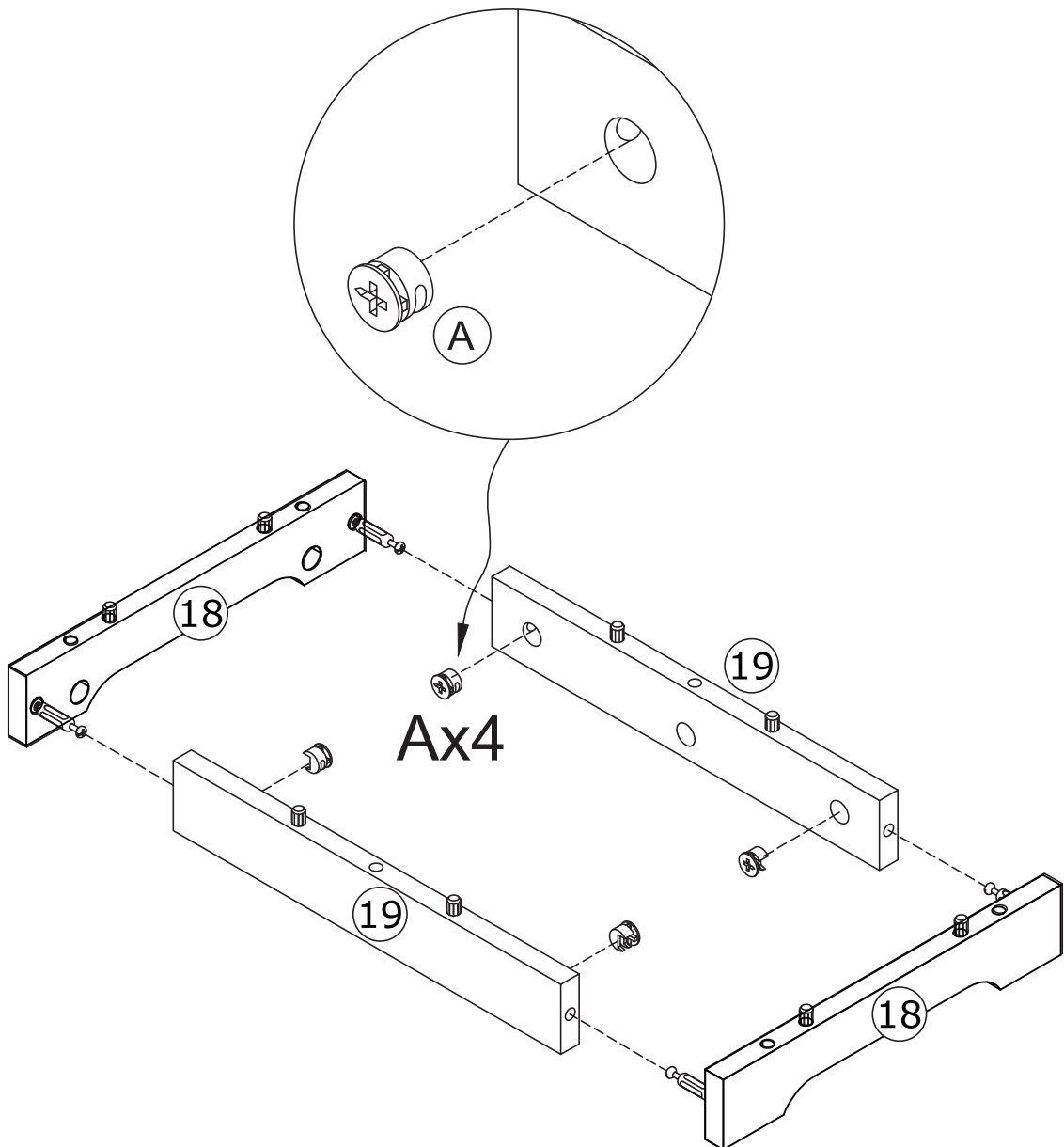
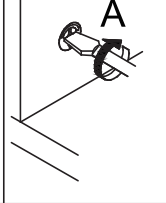
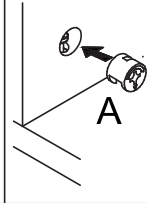
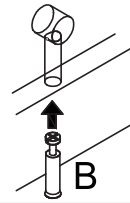
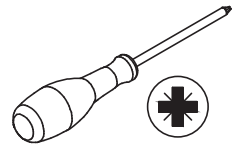


7

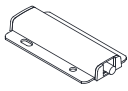
A x 4

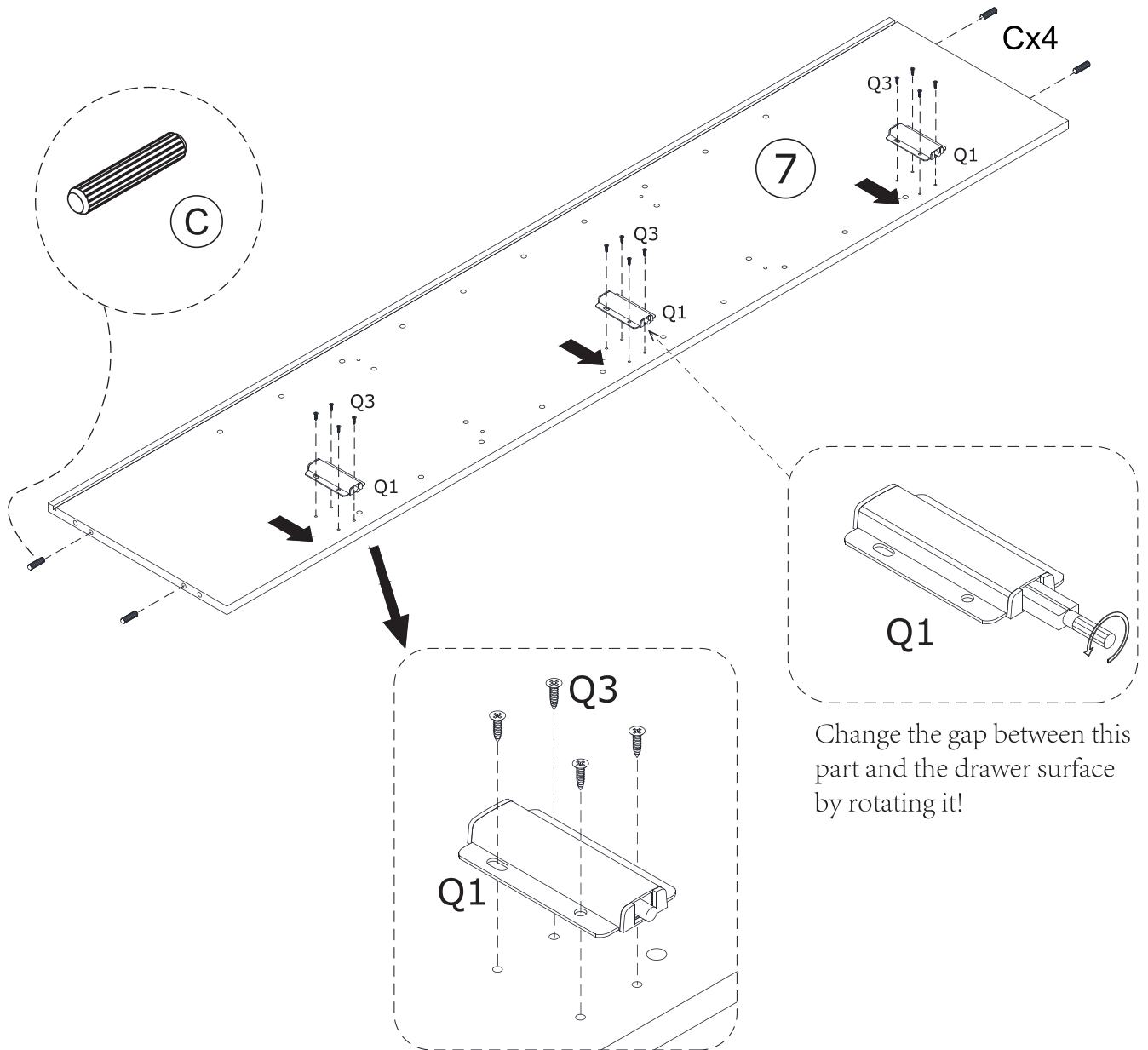
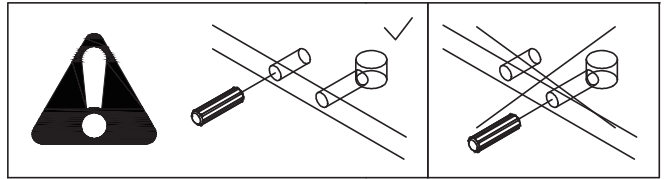


Ø15 x 9.5 mm



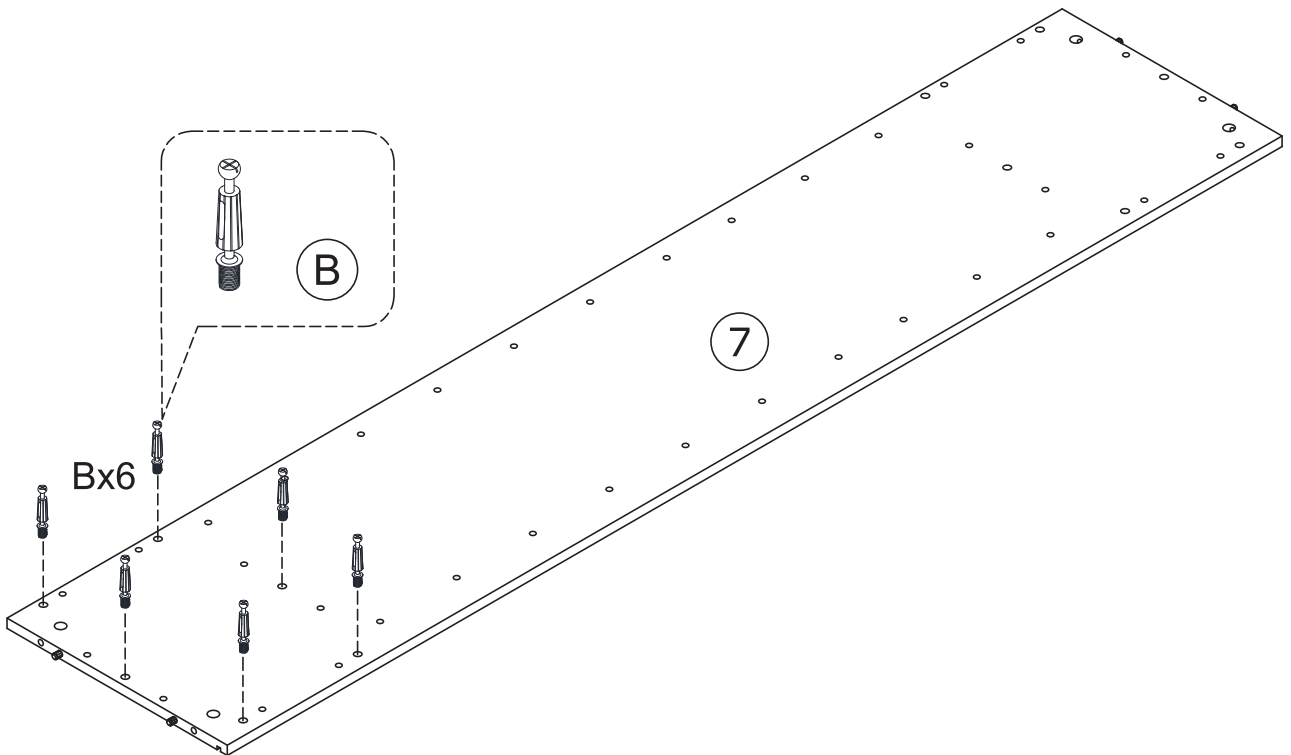
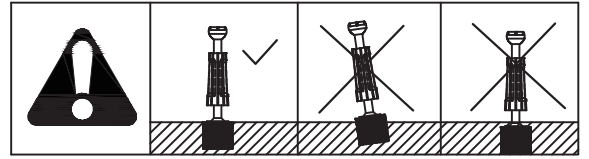
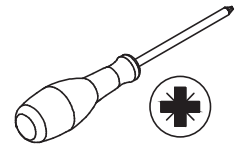
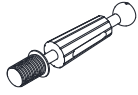
8

<p>Q x 3</p>  <p>Q1</p>	<p>C x 4</p>  <p>∅8 x 40 mm</p>	 
--	--	---

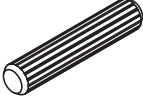
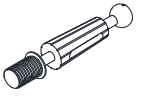
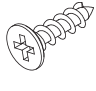
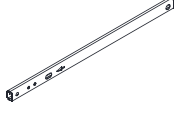
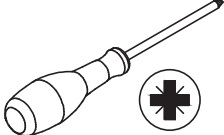


9

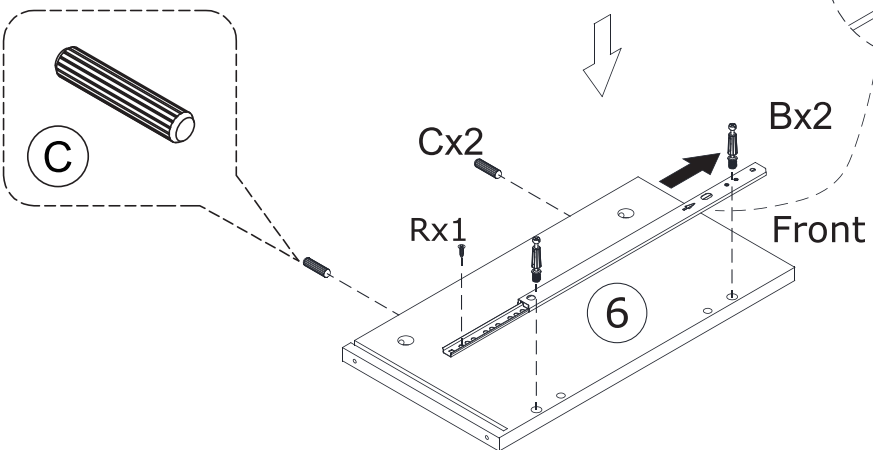
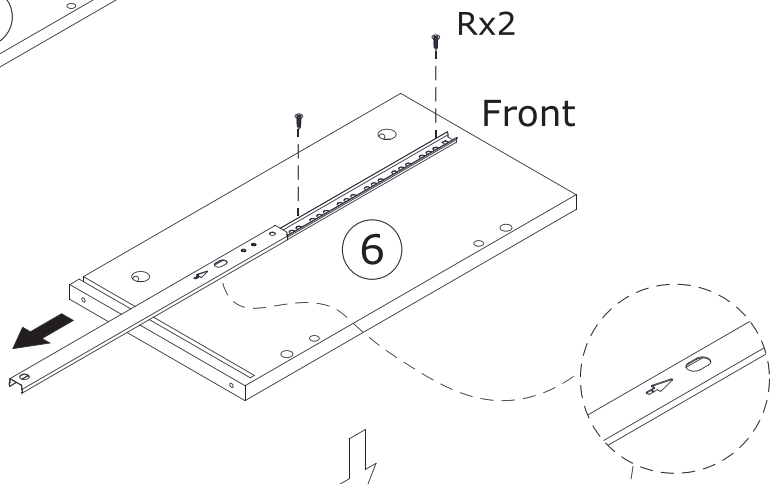
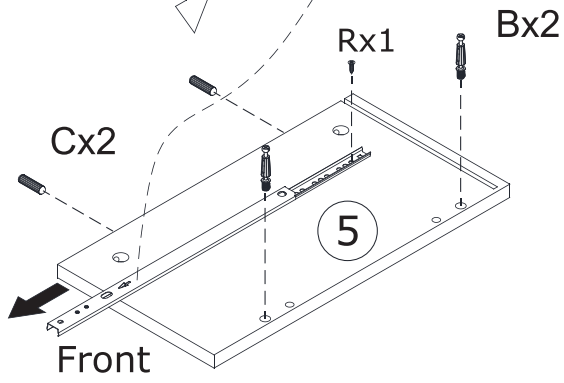
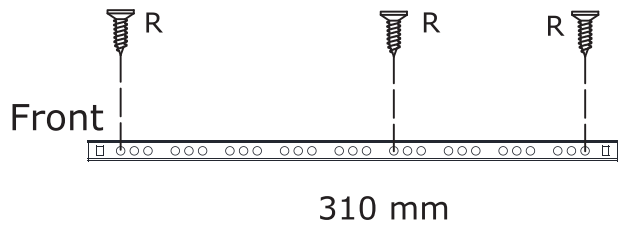
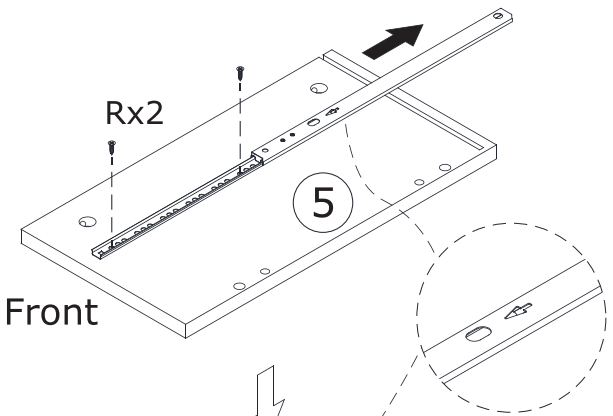
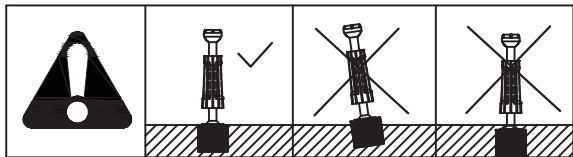
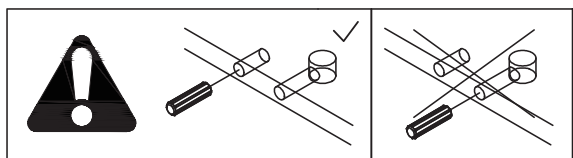
B x 6
Ø 7 x 40 mm



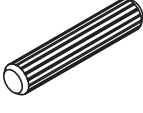

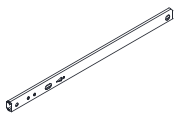
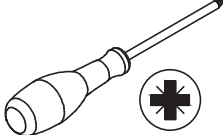

10

<p>C x 4</p>  <p>∅8 x 40 mm</p>	<p>B x 4</p>  <p>∅7 x 40 mm</p>	<p>R x 6</p>  <p>∅3.5 x 14 mm</p>	<p>x 2</p>  <p>310 mm</p>	
--	--	--	---	---

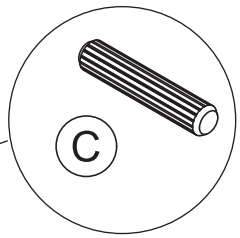
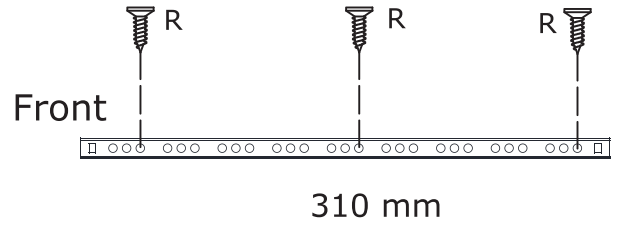
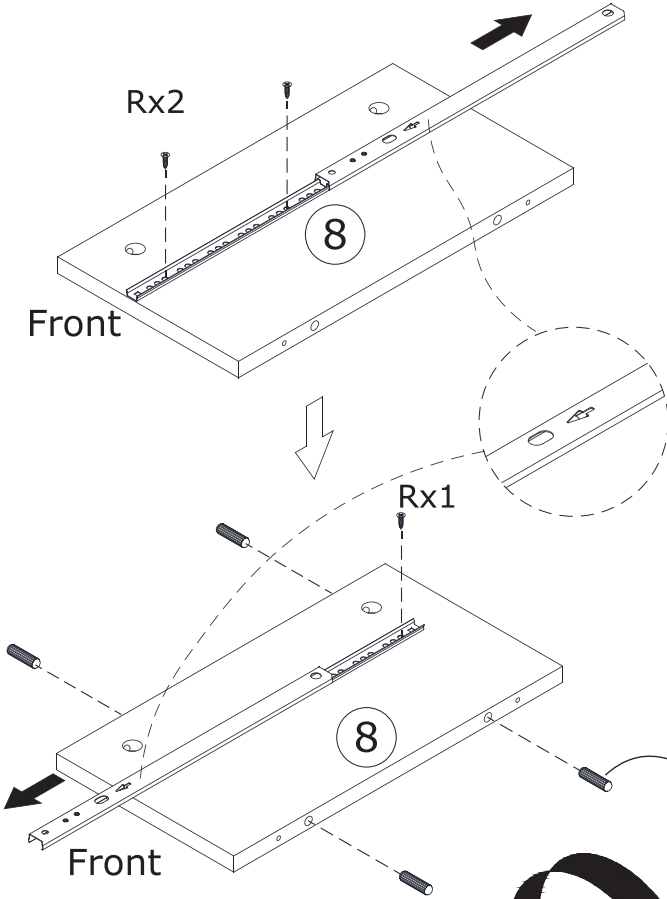
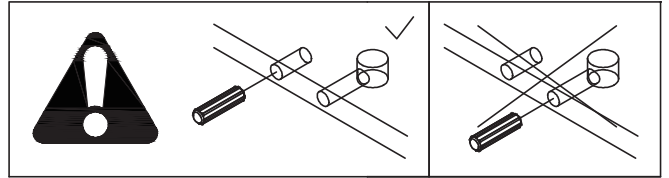
Pay attention to the installation direction and hole position of the slide rail!



11

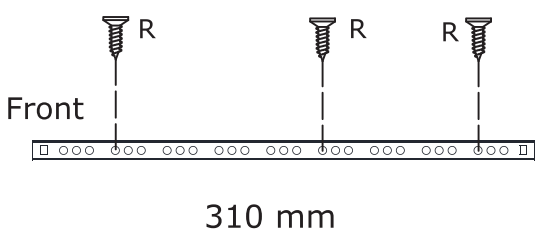
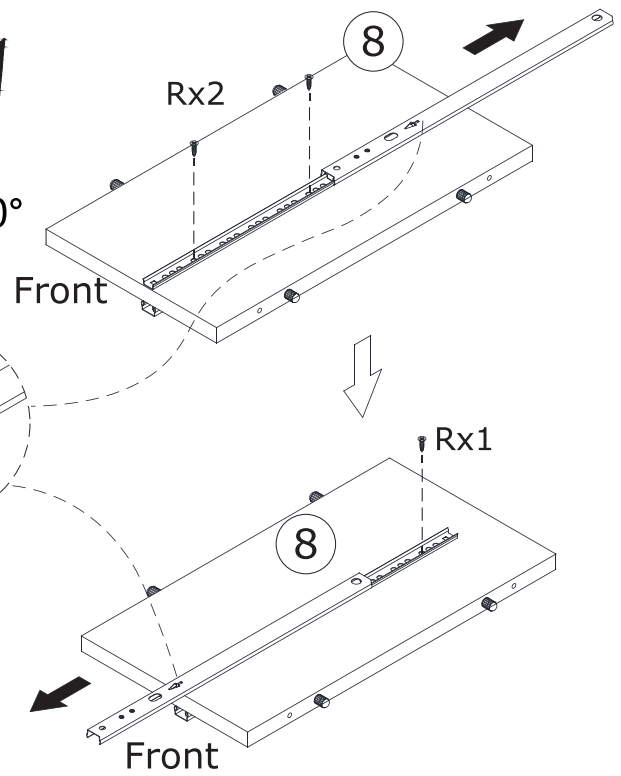
<p>C x 8</p>  <p>Ø8 x 40 mm</p>	<p>R x 12</p>  <p>Ø3.5 x 14 mm</p>	<p>x 4</p>  <p>310 mm</p>	 
--	---	--	---

Pay attention to the installation direction and hole position of the slide rail!

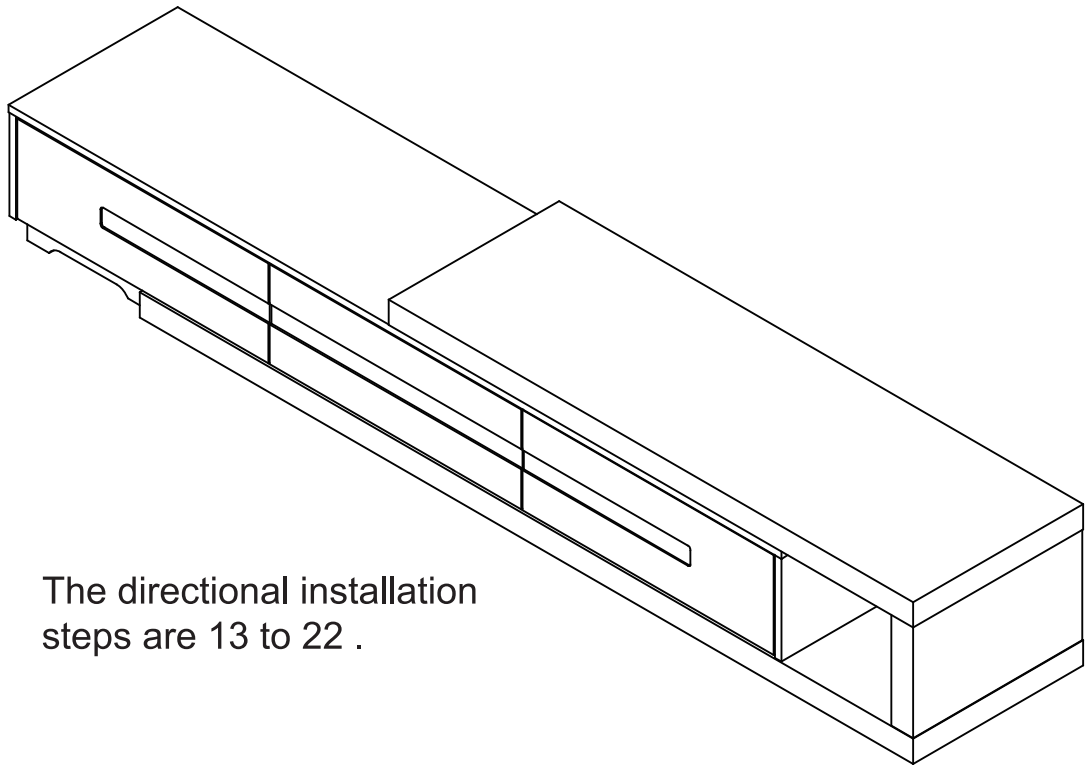


x2

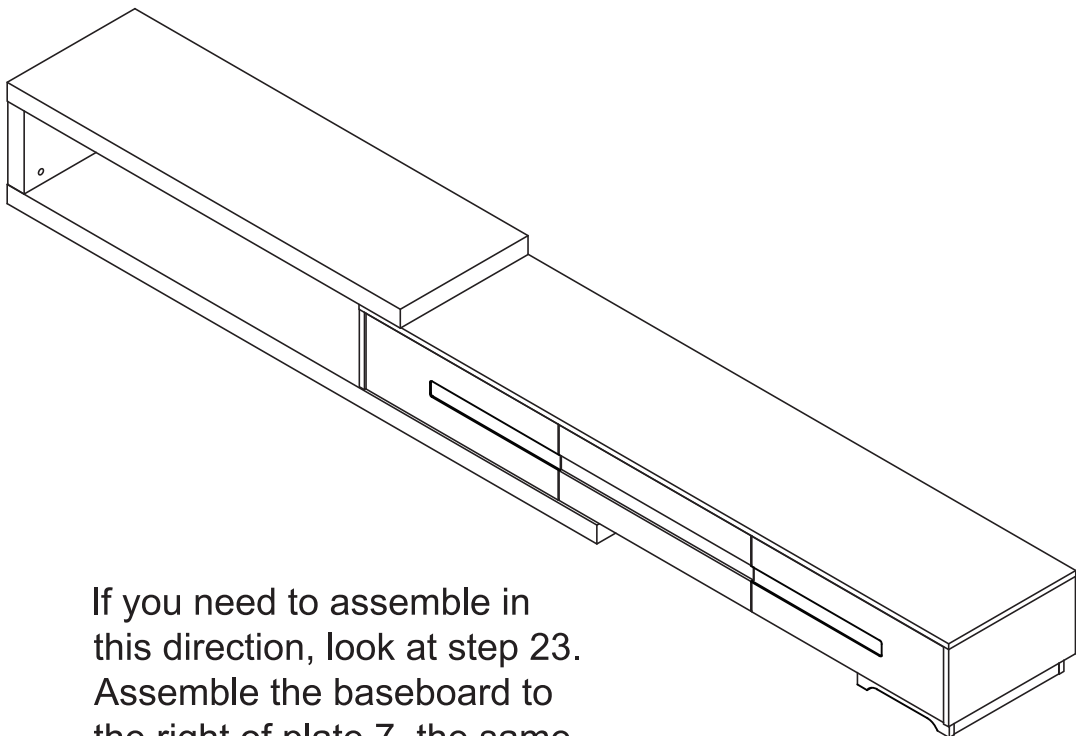
ROTATE 180°



12





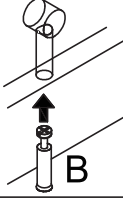
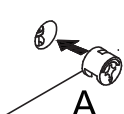

The directional installation steps are 13 to 22 .

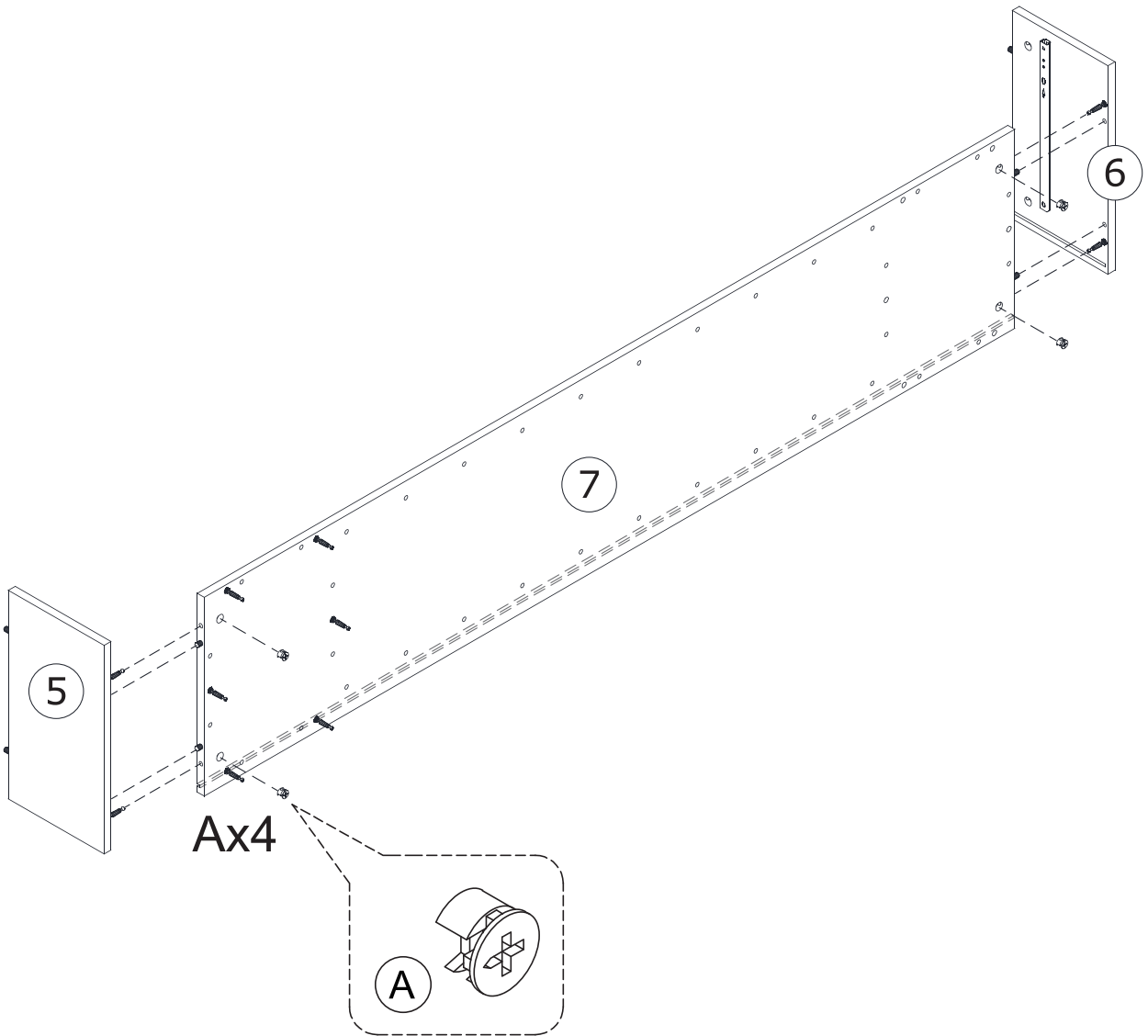


If you need to assemble in this direction, look at step 23. Assemble the baseboard to the right of plate 7, the same way you assembled the rest of the steps

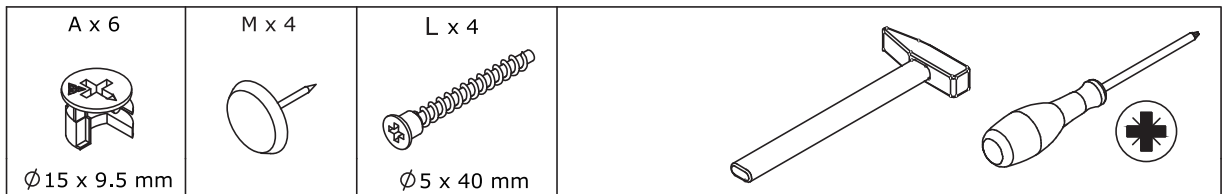
13

<p>A x 4</p>  <p>Ø15 x 9.5 mm</p>	
--	---

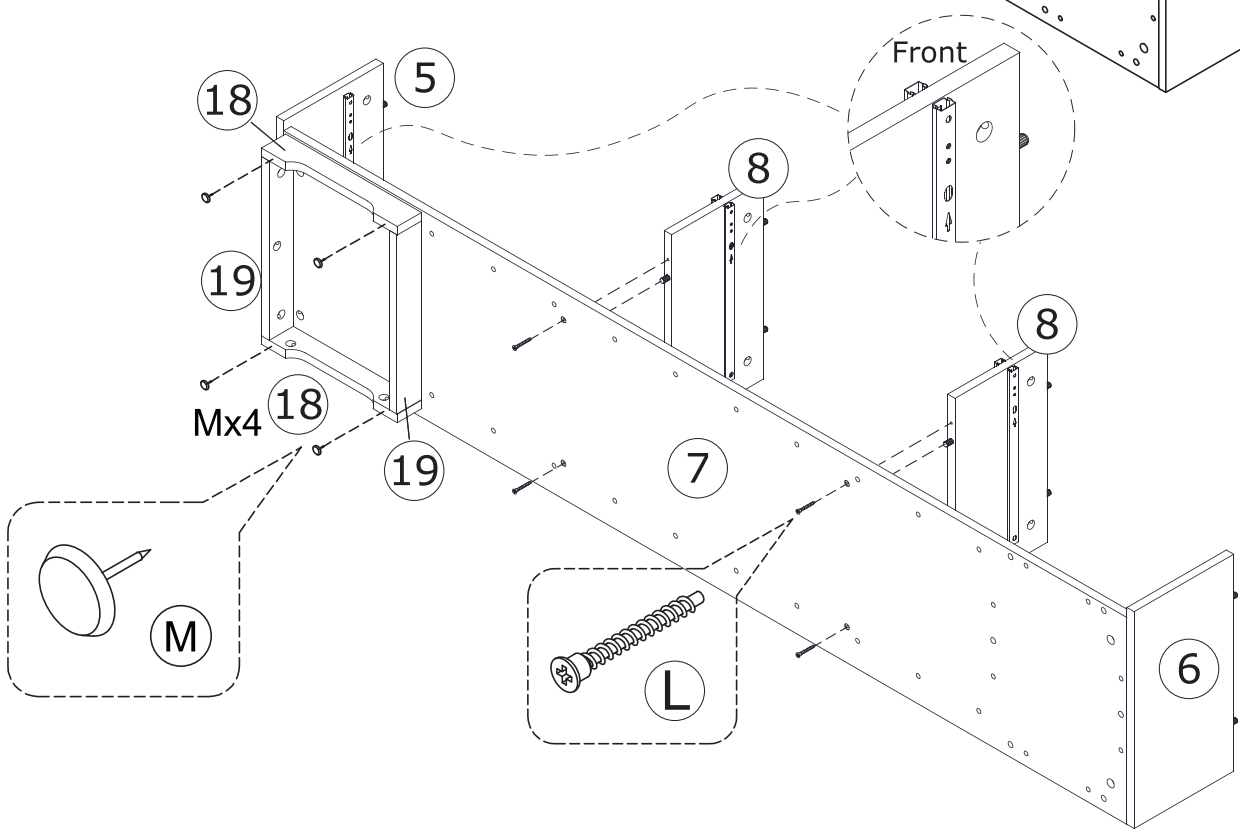
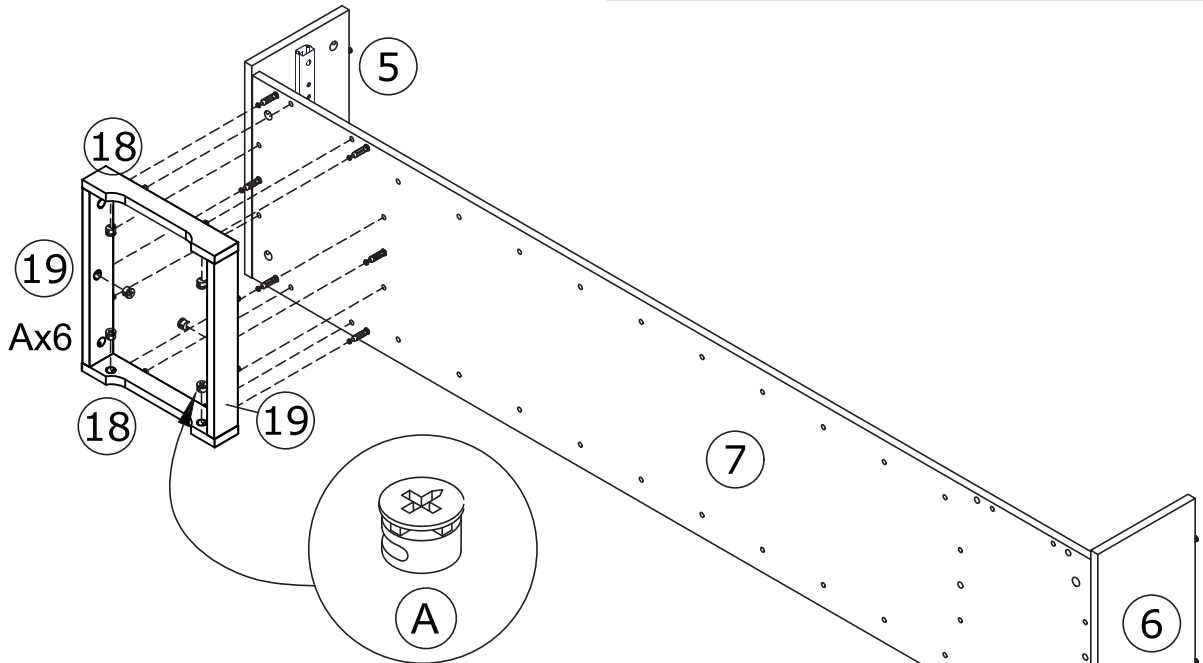
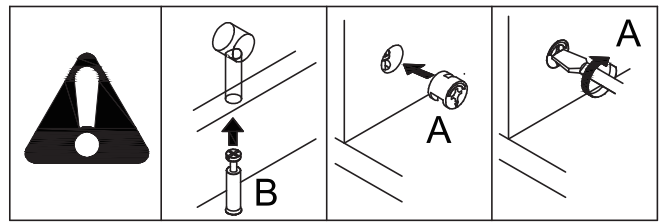
			
---	---	---	---



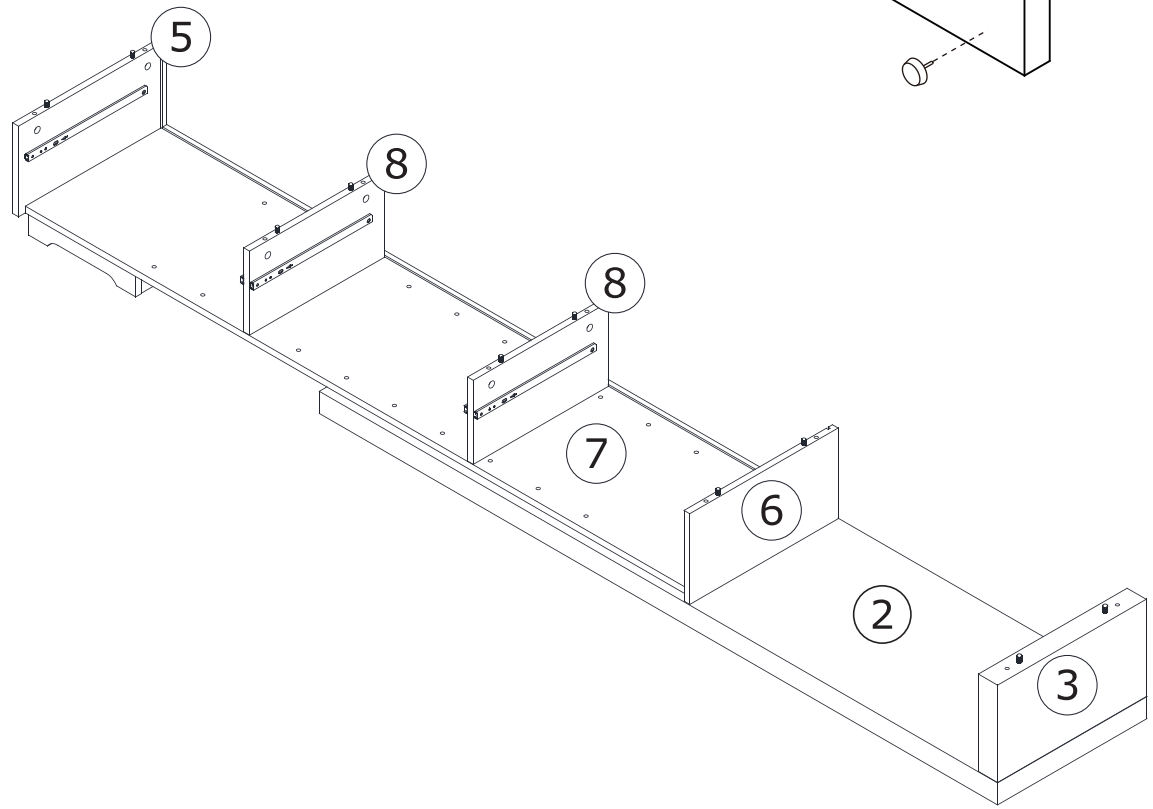
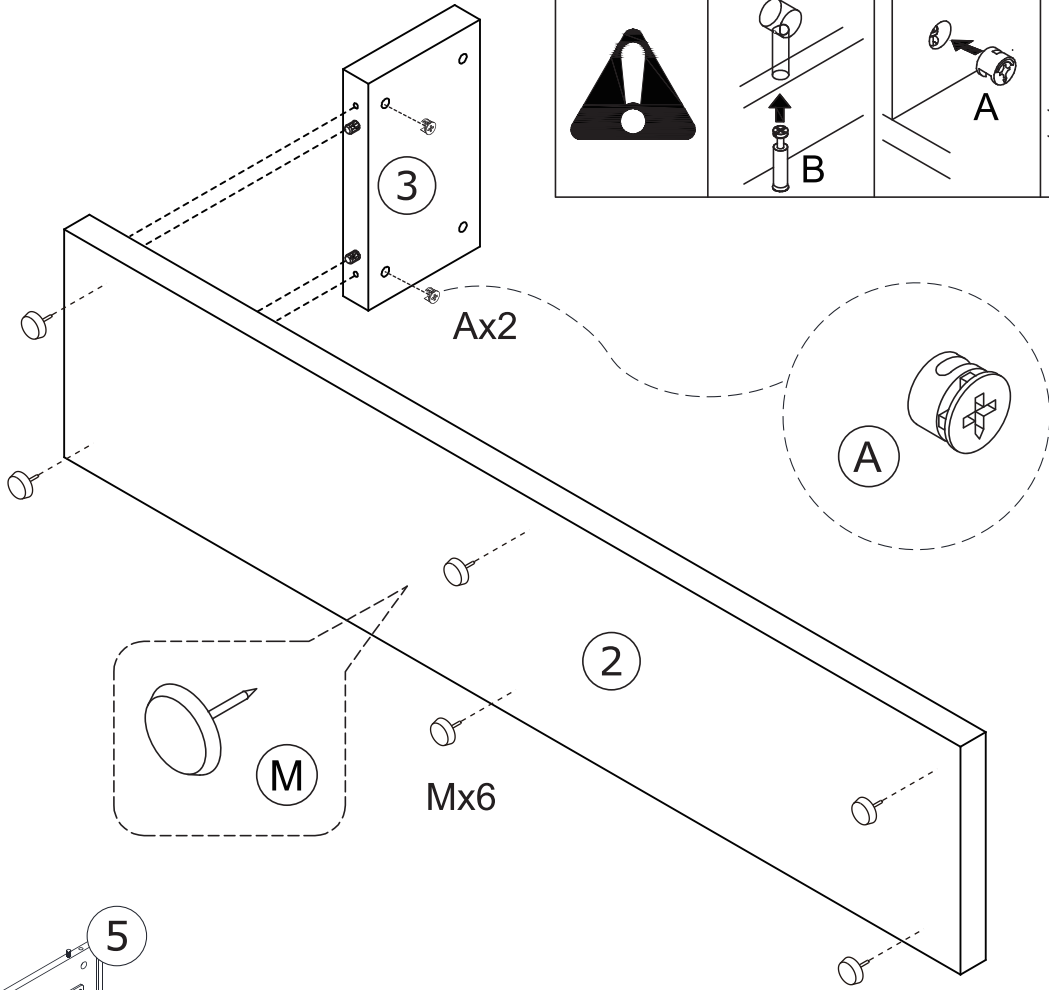
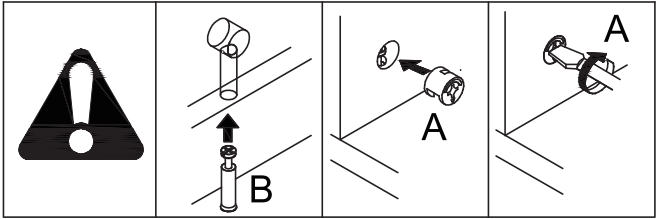
14



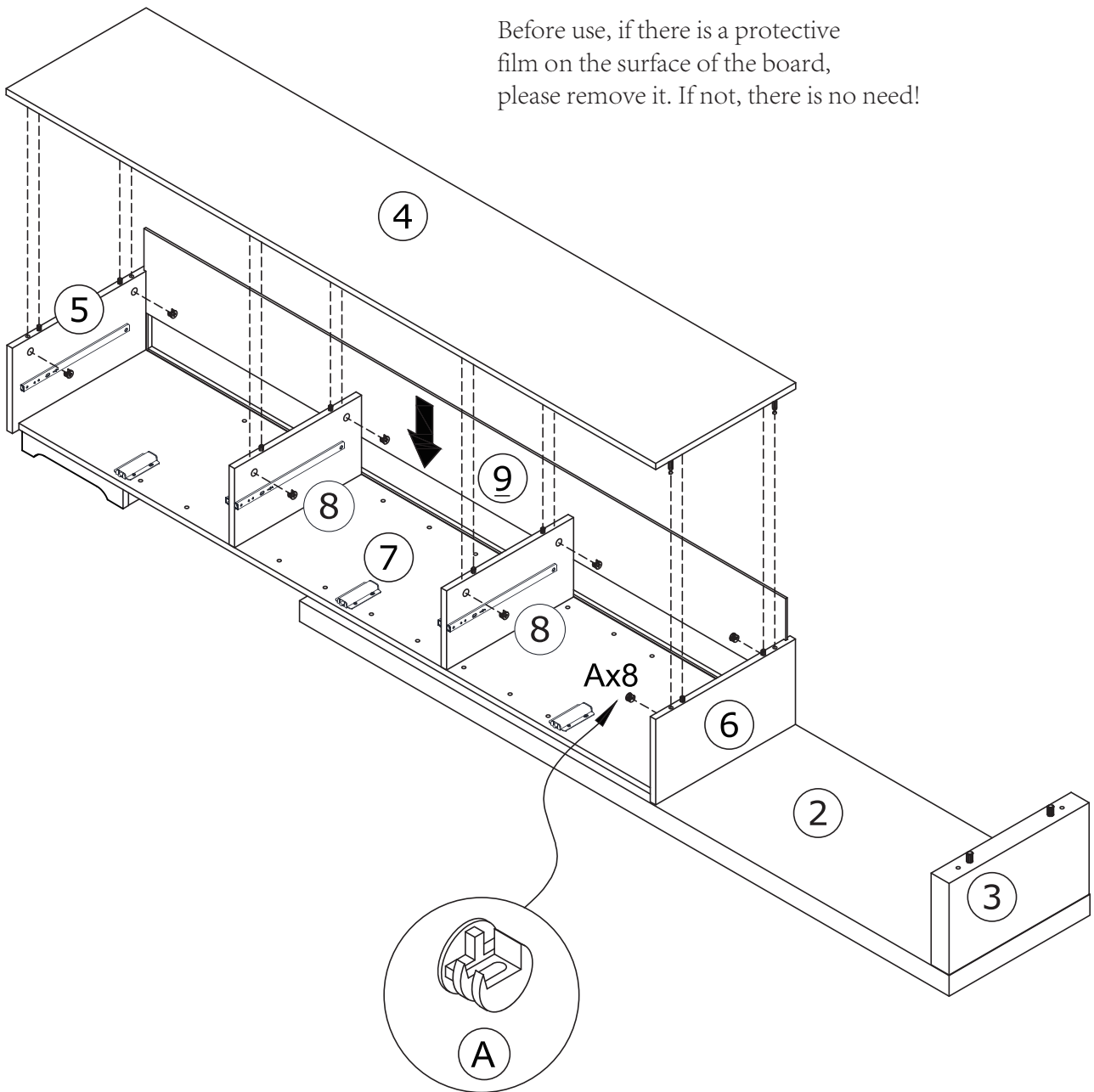
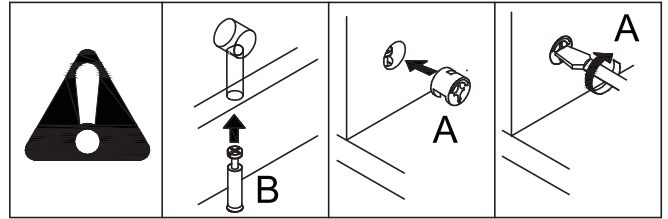
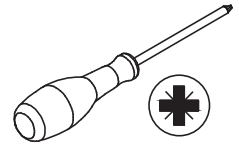
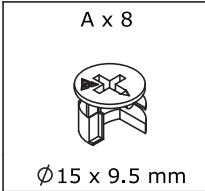
-If you want to assemble the drawer on the right, please see step 22.



15



16

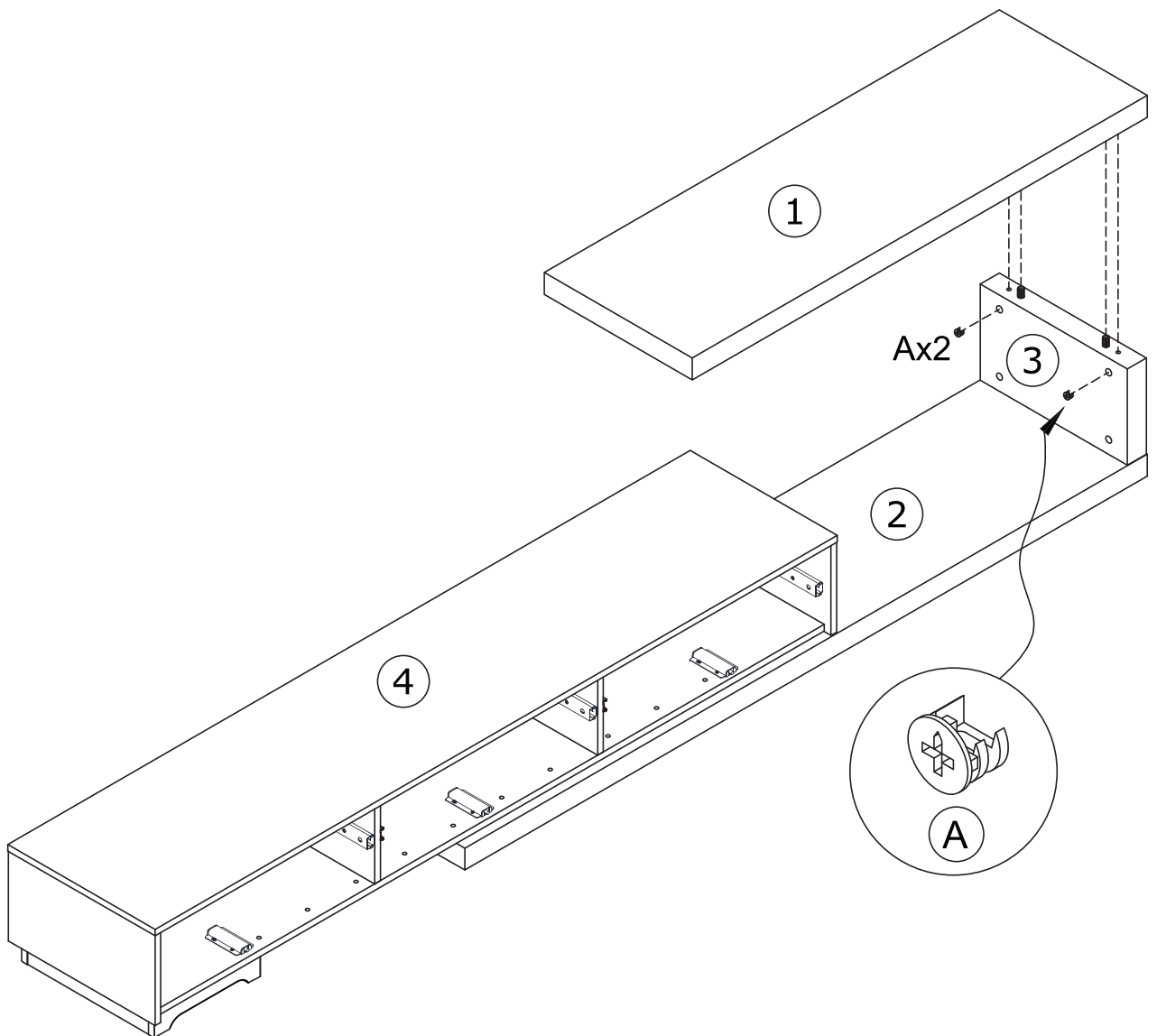
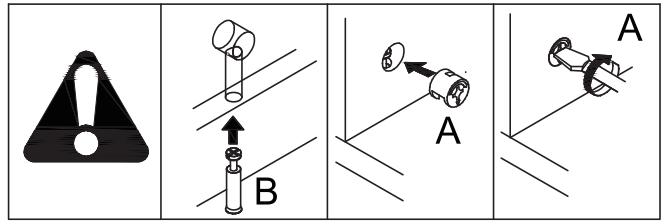
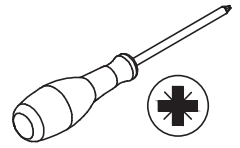


17

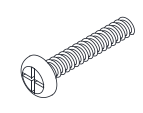
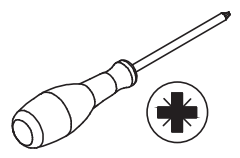

A x 2

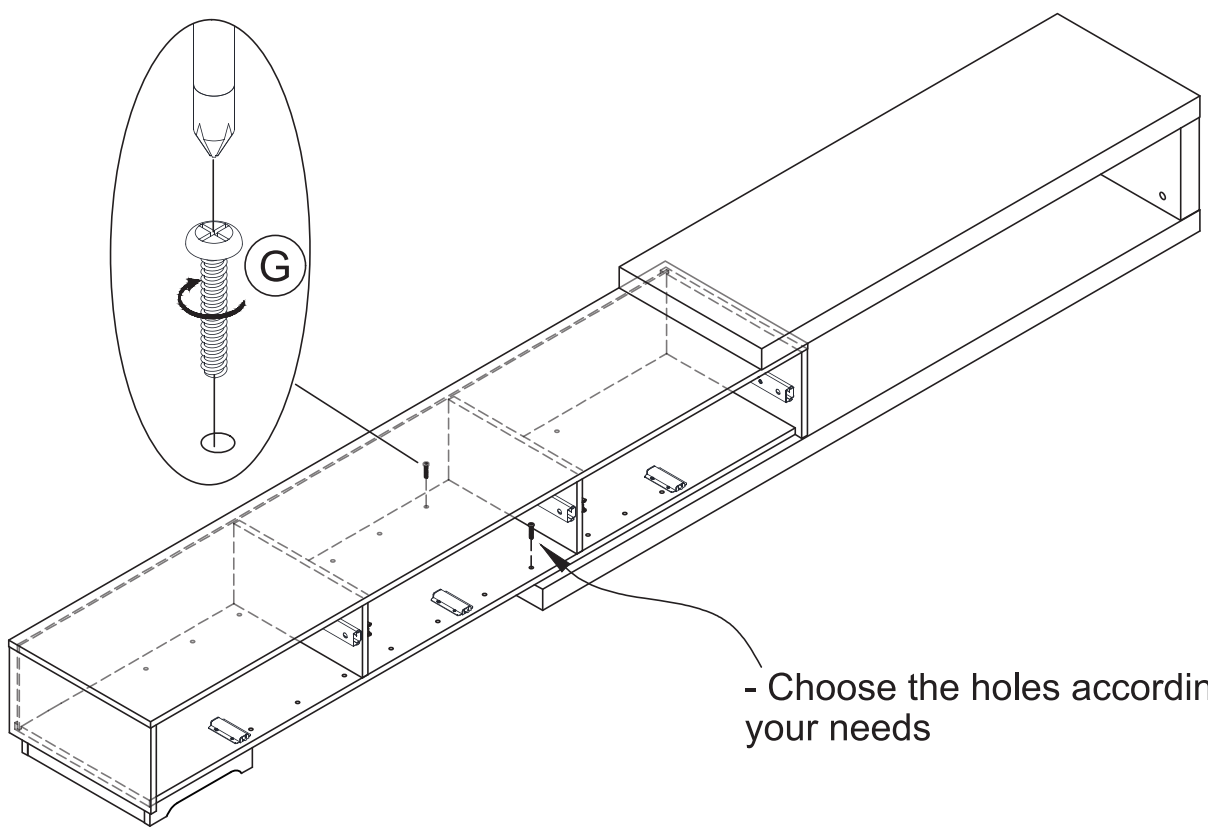
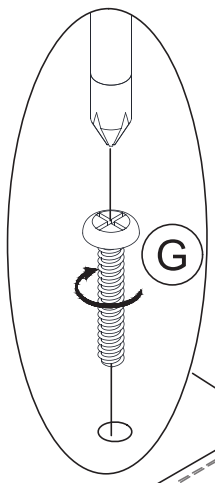
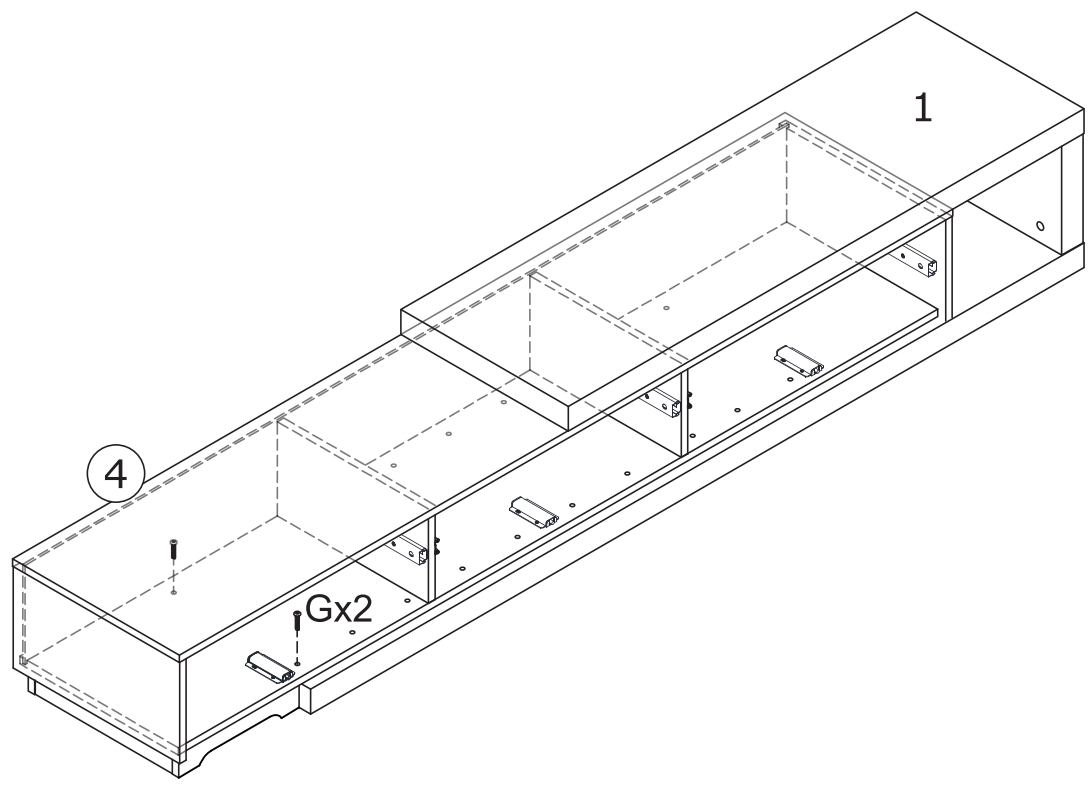


Ø15 x 9.5 mm

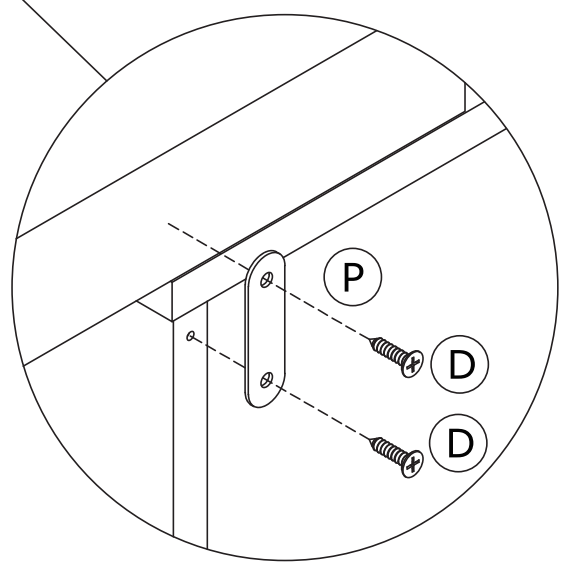
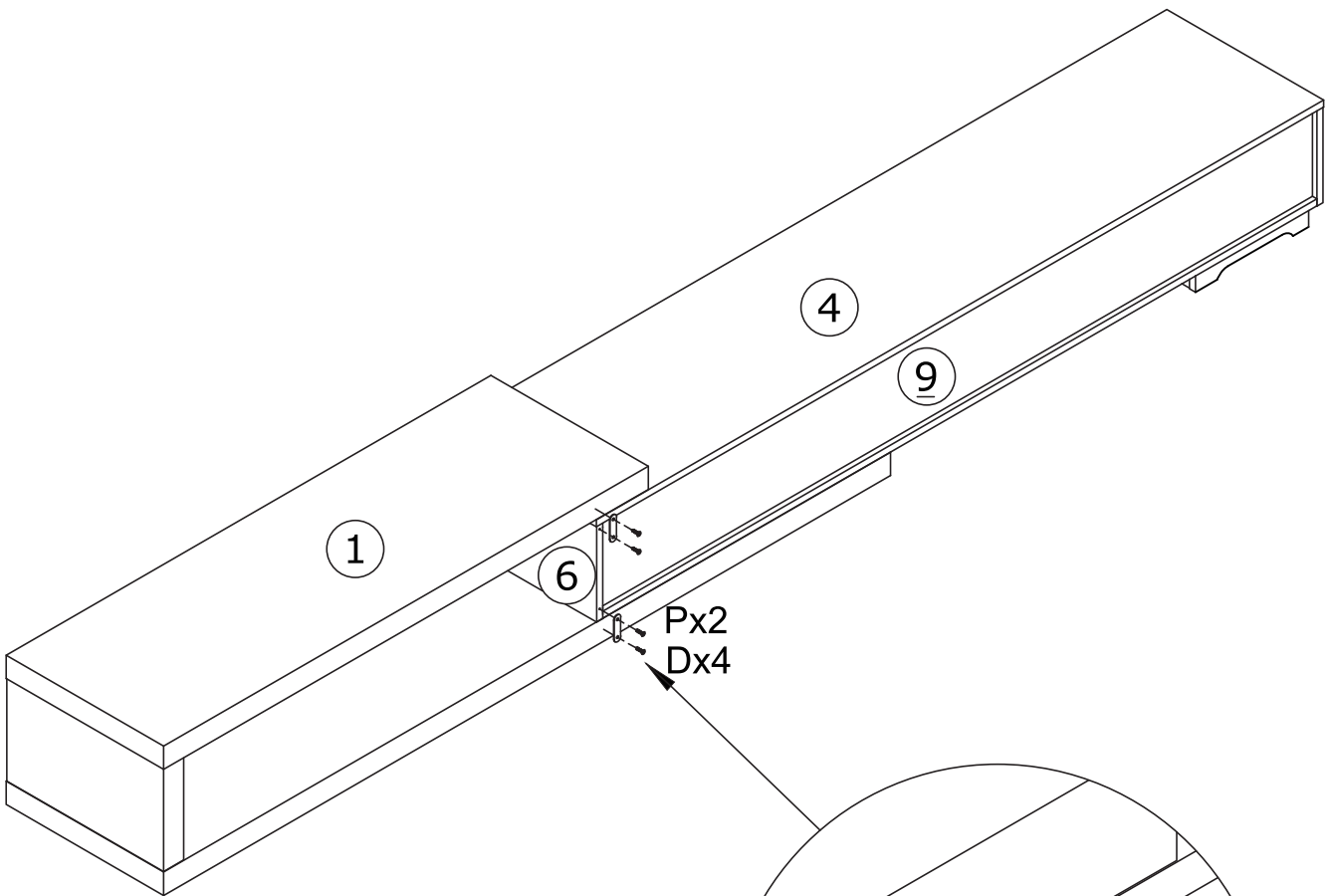


18




<p>G x 2</p>  <p>Ø6 x 30 mm</p>	 
--	---

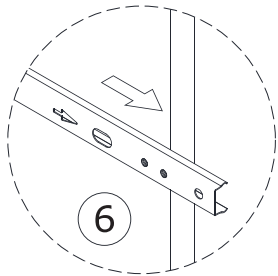


19

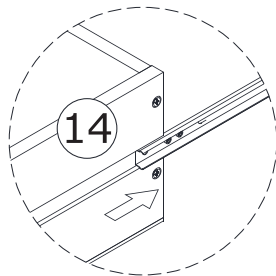


20

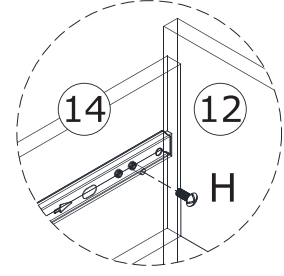
K x 37 	J x 4 	H x 6  Ø4 x 11 mm	
---	--	--	--



Slide the guide rail out from the inside as shown in the picture!



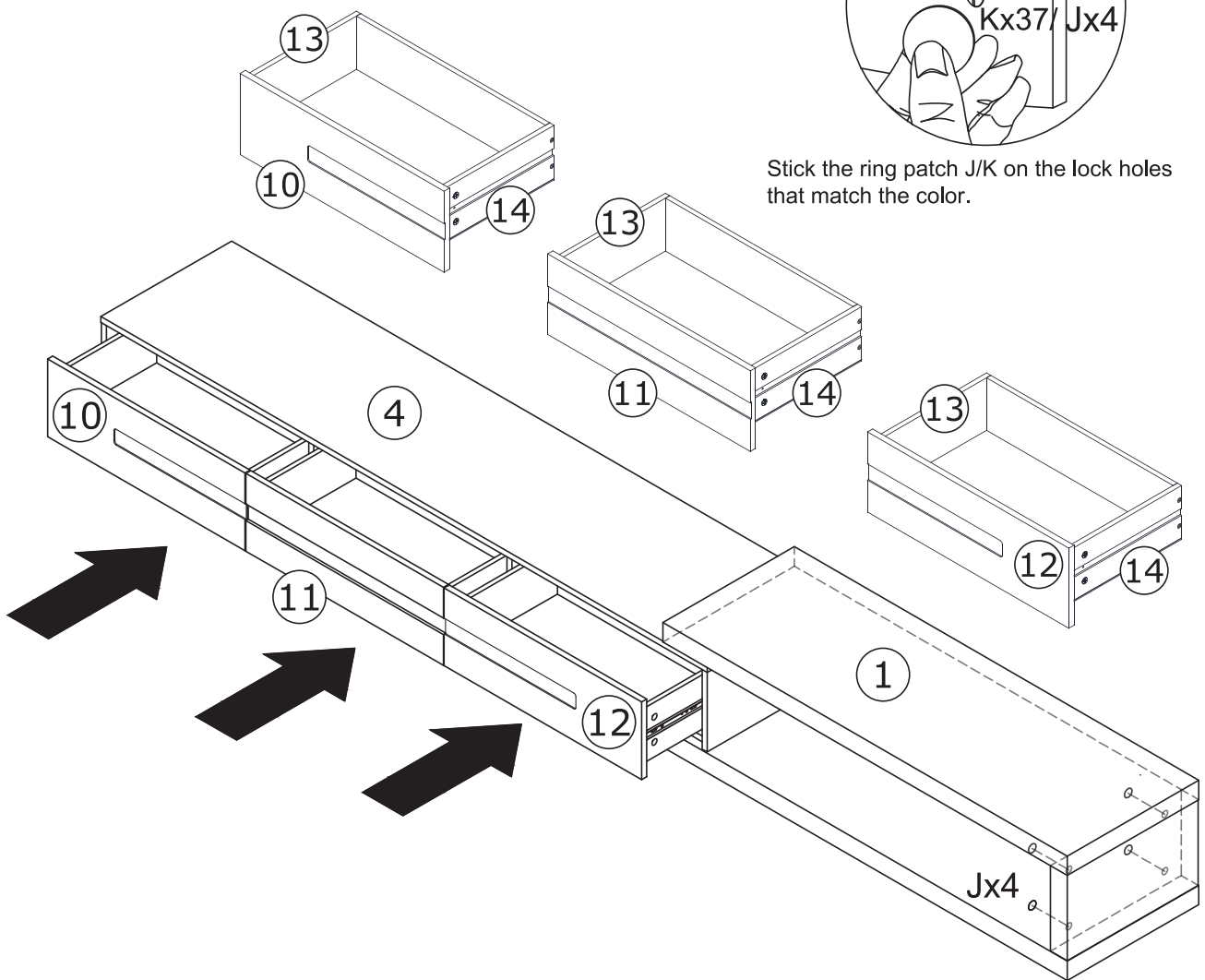
Insert the guide rail into the appropriate position in the drawer side panel slot!



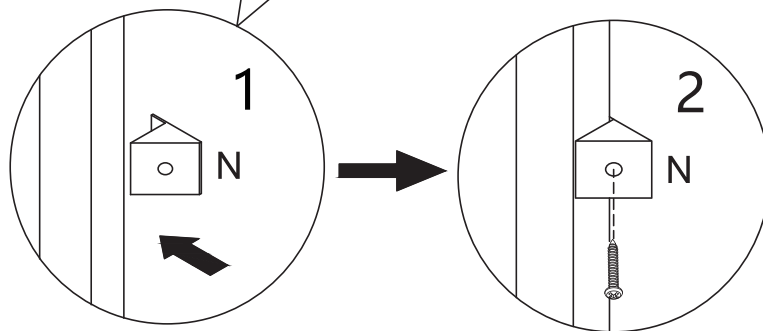
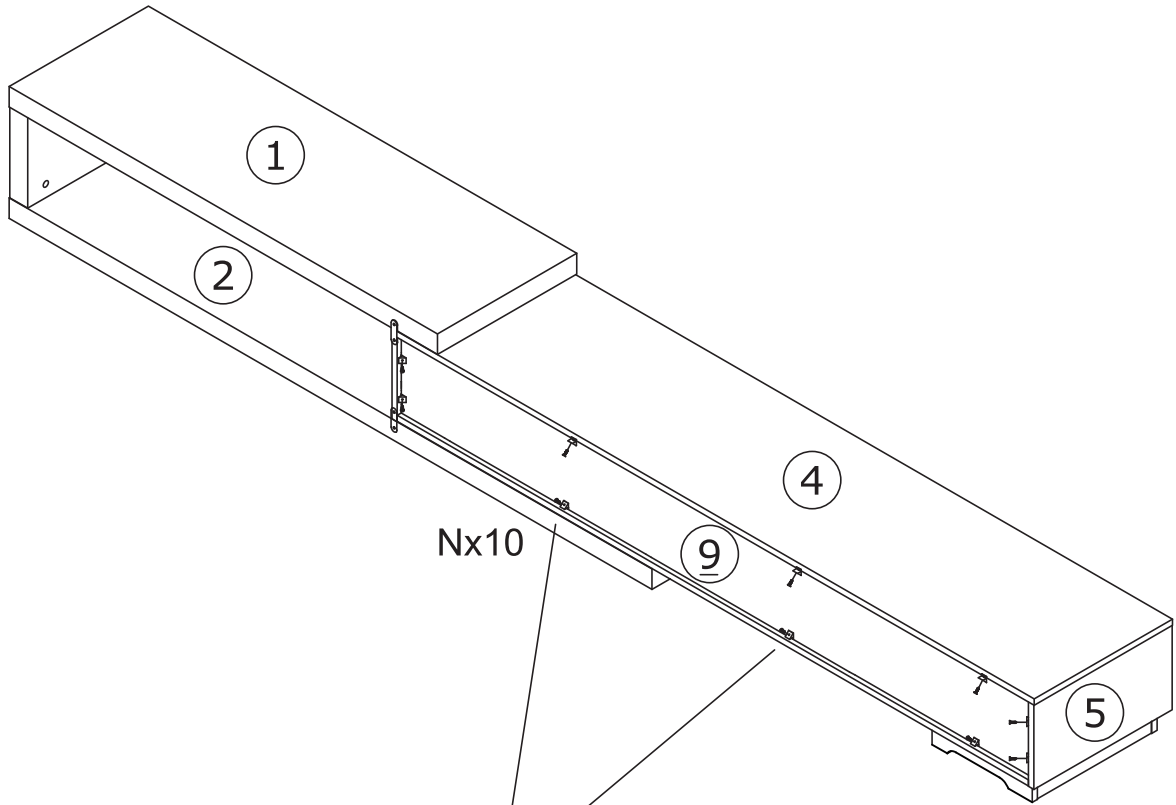
Insert the guide rail into the drawer side panel and fix it with screws!



Stick the ring patch J/K on the lock holes that match the color.

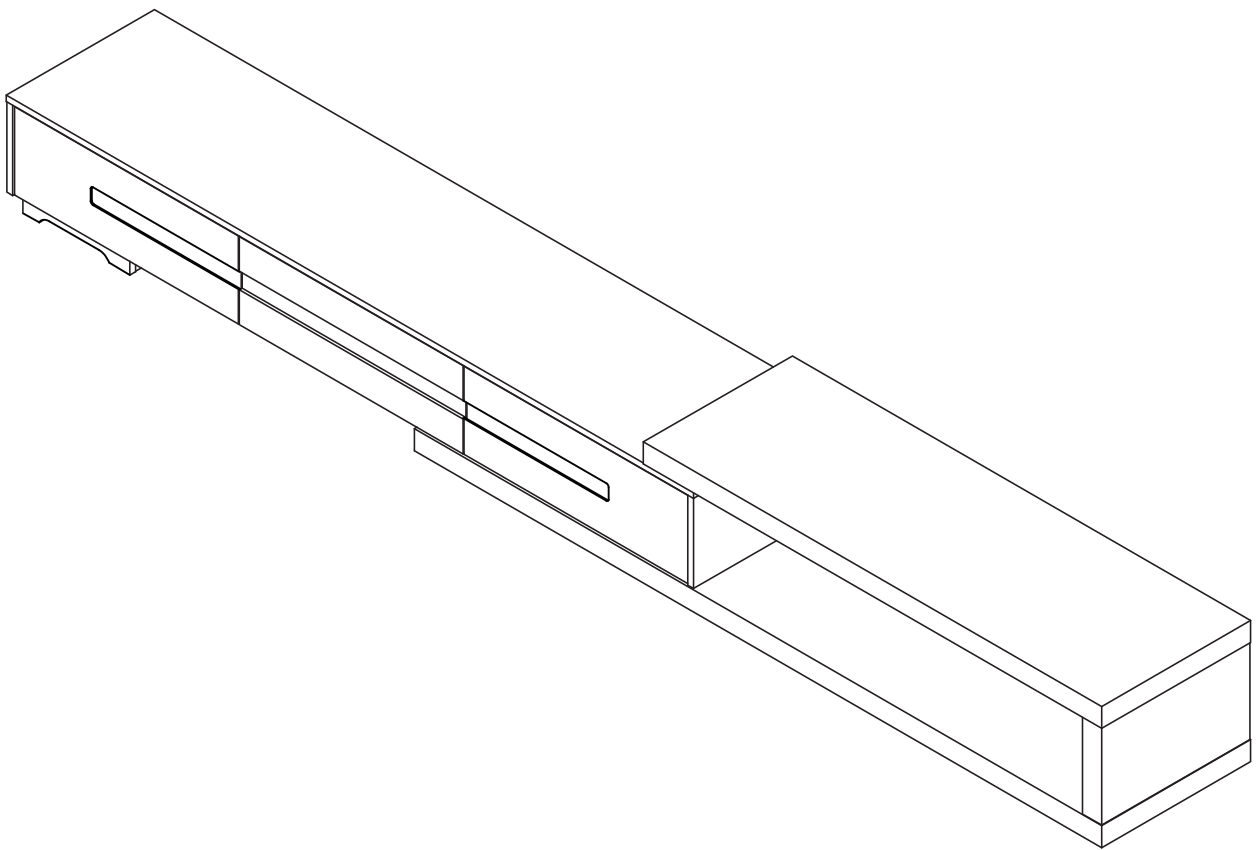


21

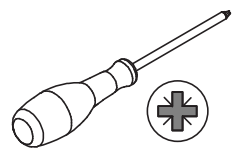


Make sure the diagonal dimensions are the same before installing the back plate buckles

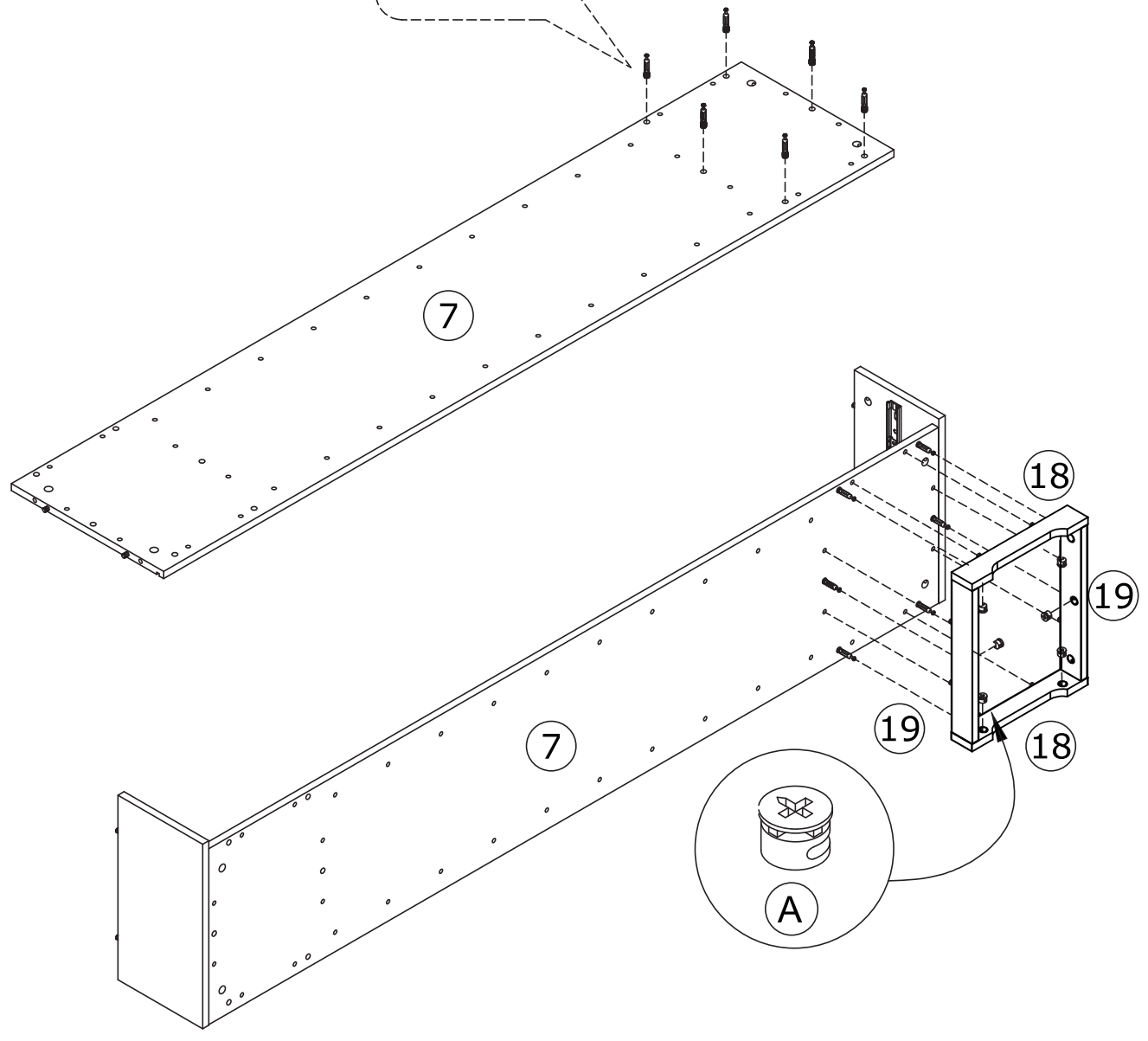
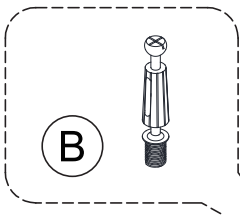
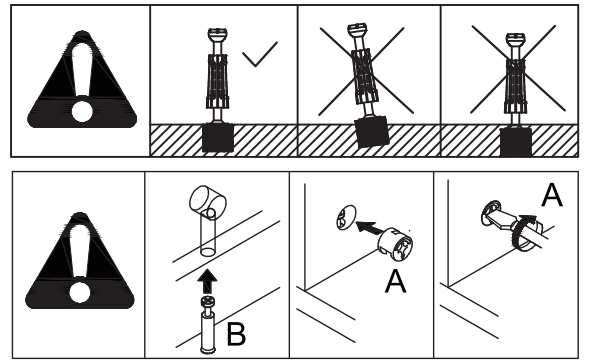
22



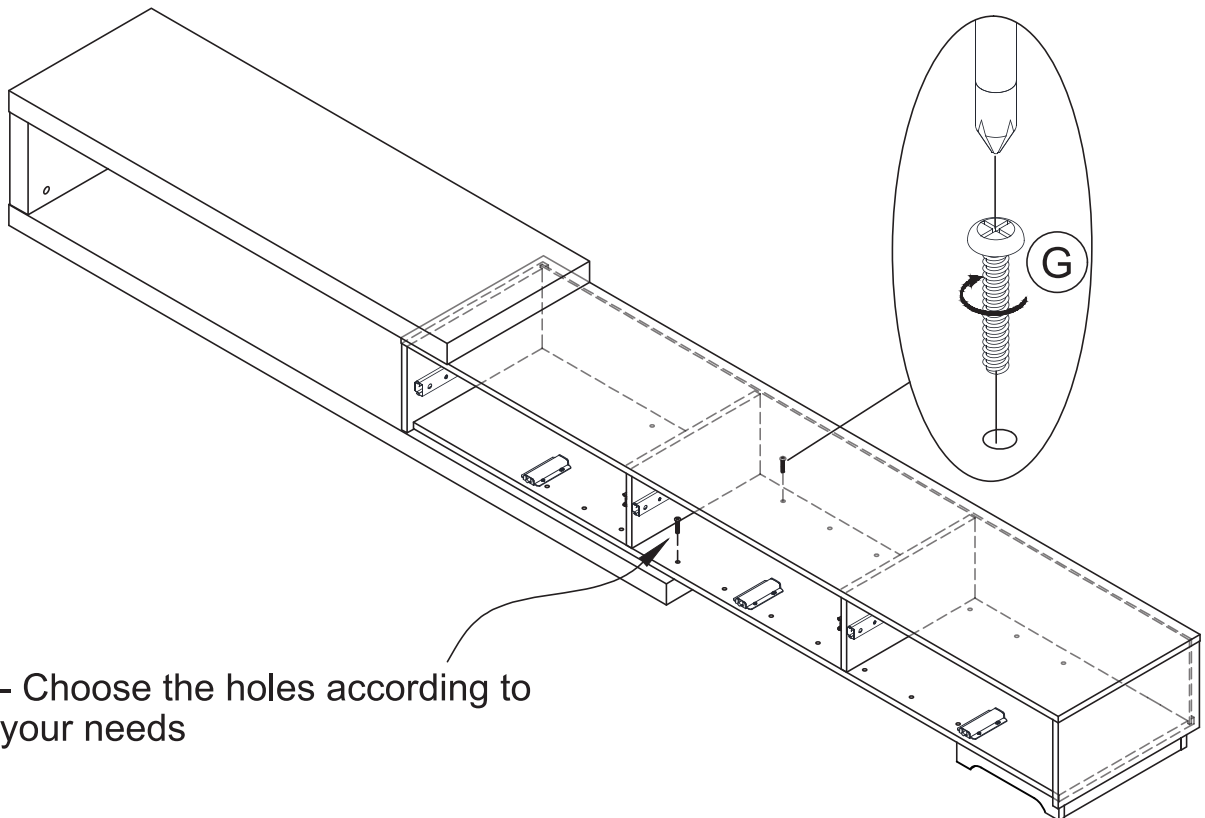
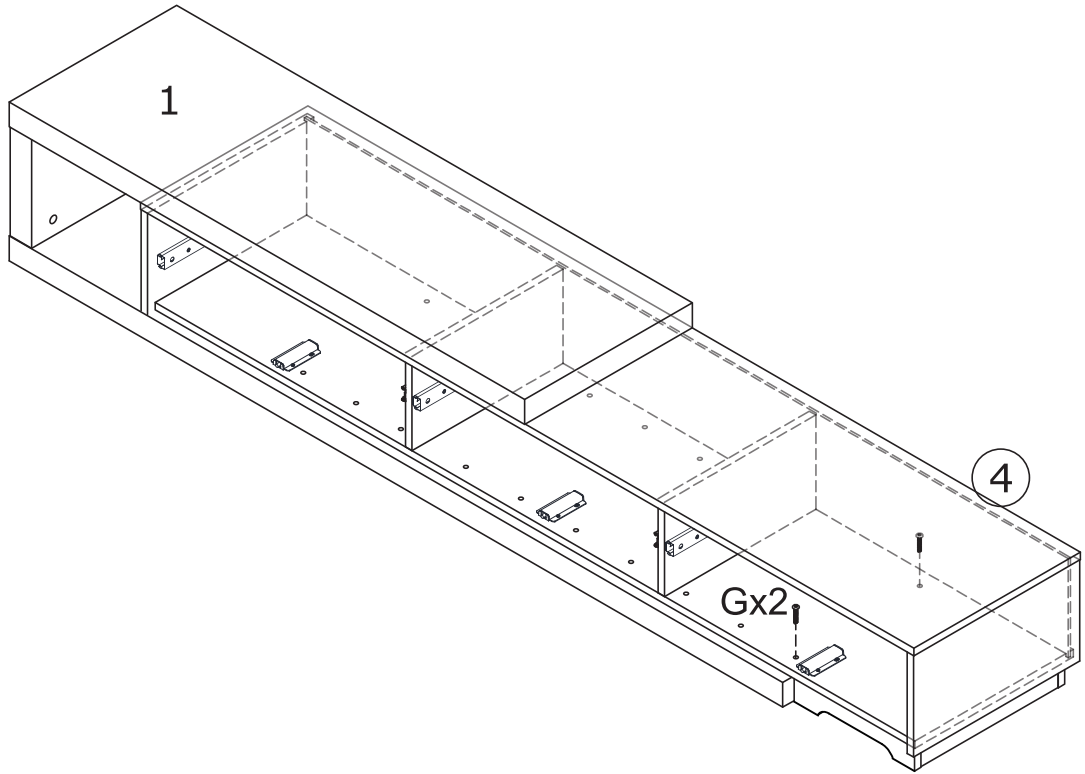
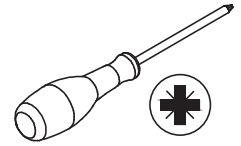
23



-If you want to assemble the drawer on the right, please assemble the No. 7 board as shown in the figure below.



24



- Choose the holes according to your needs

25

