

CARE AND MAINTENANCE

Store outdoor furniture indoors or cover well when not in use.




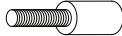

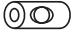

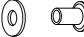

Remove wooden furniture from standing water. Dust regularly with small brush or vacuum

Spills should be taken care of immediately before they harden or stain with a slightly dampened sponge.

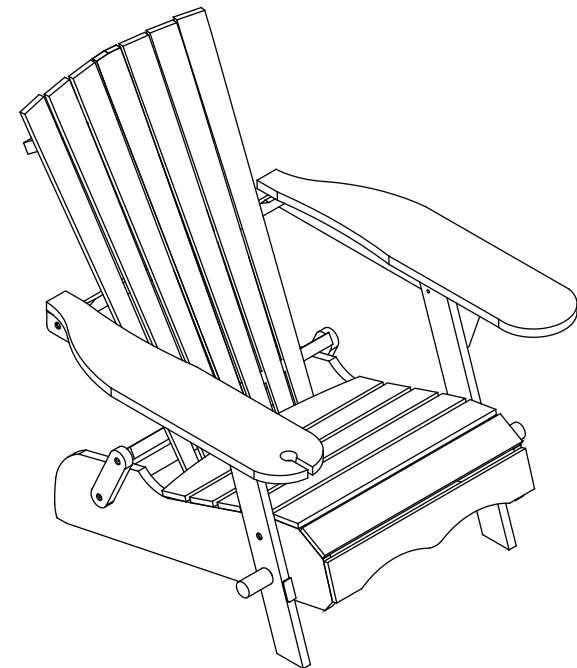
NOTICE

- * Please make sure that you have all parts indicated before you begin assembly of this item
- * This item should be assembled on a soft surface to prevent scratching the finish during assembly
- * This item may require periodic tightening

Part List and Hardware List

PIECE	DESCRIPTION	PICTURE	QUANTITY
A	Seat and back		1X
B	Leg Frame		2X
C	Arm frame		2X
D	Timber lock		2X
E	Allen bolt L - 1	 M6x50	2X
F	Horizontal spread	 M6x13	2X
G	Allen bolt L - 2	  M6x30 M6x15	4X
H	Allen key	 4 mm	2X

Product Dimensions: 34.6" W x 34.6" D x 34.2" H



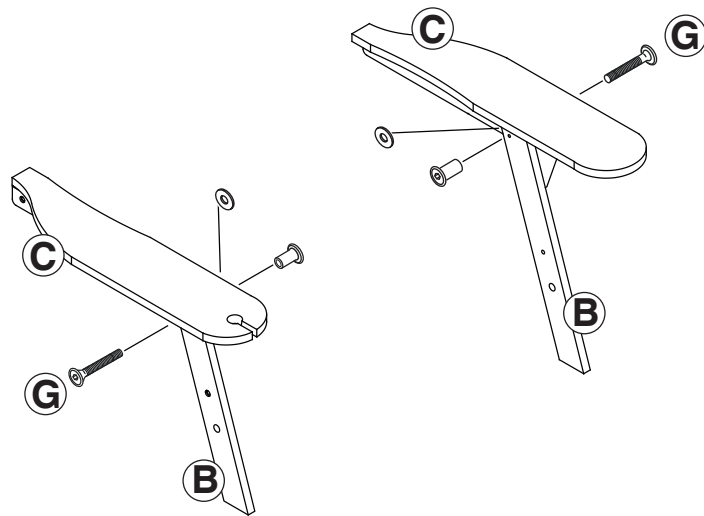
PREPARATION

Before beginning assembly of product, make sure all parts are present. Compare parts with package contents list and hardware contents list. If any part is missing or damaged, do not attempt to assemble the product.

Estimated Assembly Time: 10 minutes.

Tools Required for Assembly (included): Allen Key

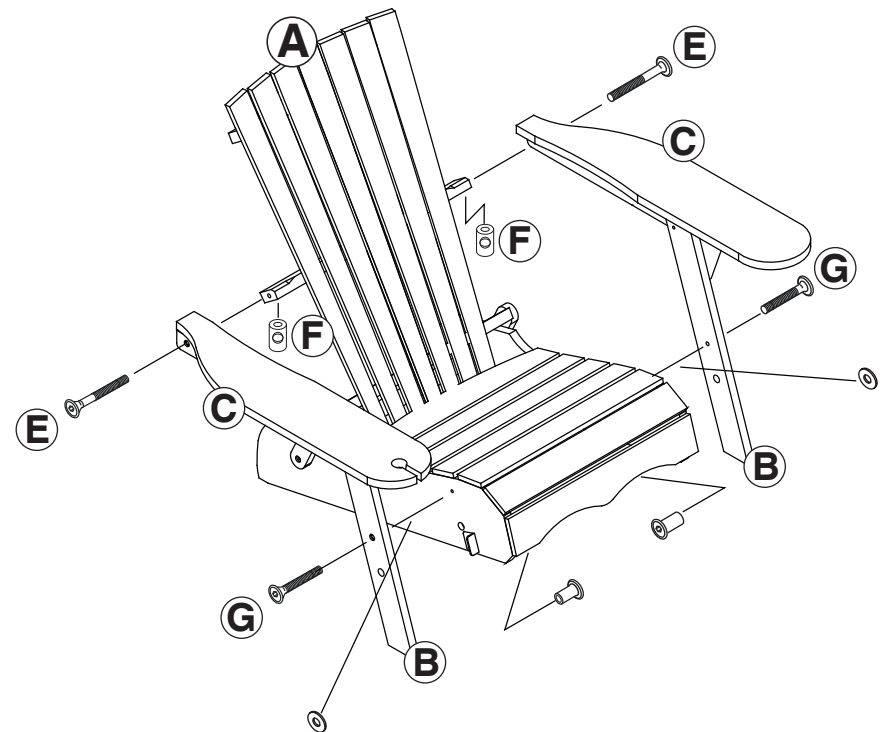
1



Step 1

Attach leg frame (B) to arm frame (C), use bolt L -2 (G), tighten with allen key(H).

2



Step 2

Attach leg frame (B) to seat frame (A), use bolt L -2 (G), tighten with allen key(H). Attach arm frame (C) to back frame (A), use bolt L -1 (E),(F), tighten with allen (H)

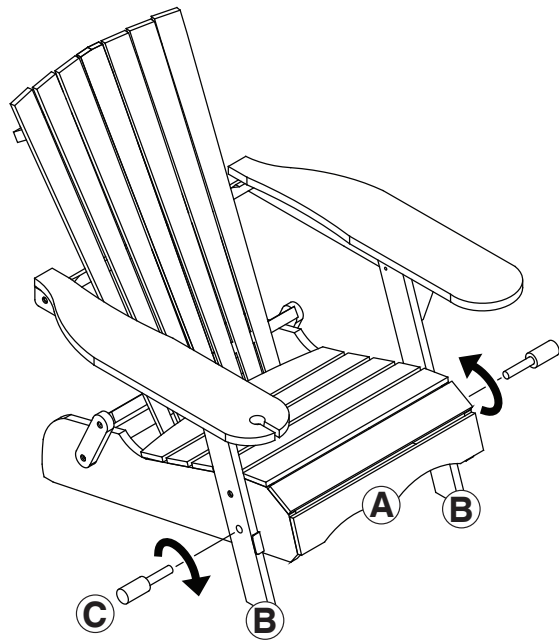
PREPARATION

Before beginning assembly of product, make sure all parts are present. Compare parts with package contents list and hardware contents list. If any part is missing or damaged, do not attempt to assemble the product.

Estimated Assembly Time: 10 minutes.

Tools Required for Assembly (included): Allen Key

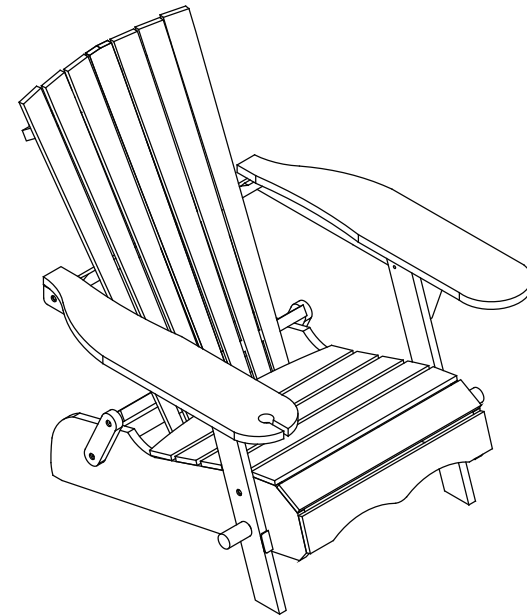
3



Step 1

Attach Timber lock (C) to leg frame (B) and seat frame(A),

4



Step 2

Complete