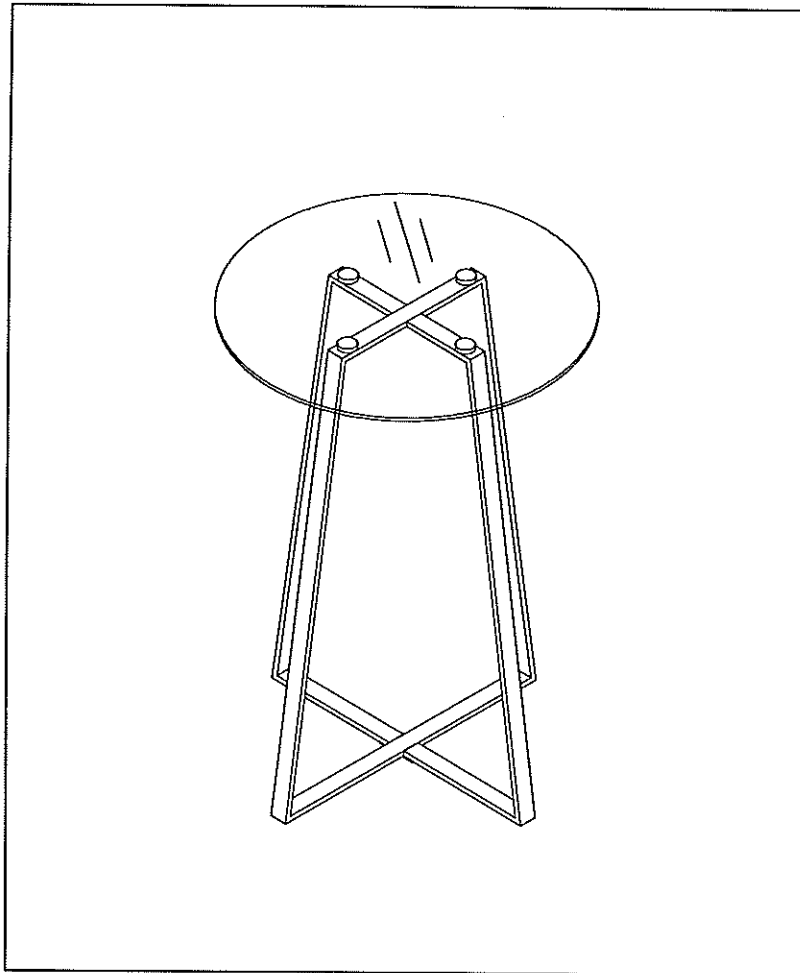


BAR TABLE

ASSEMBLY INSTRUCTION



Assembly Instruction





ASSEMBLY TIPS:





1. Remove hardware from box and sort by size.
2. Please check to see that all hardware and parts are present prior to start of assembly.
3. Please follow attached instructions in the same sequence as numbered to assure fast & easy assembly.

▲ Warning!

1. Don't attempt to repair or modify parts that are broken or defective. Please contact the store immediately.
2. This product is for home use only and not intended for commercial establishment.

PARTS IDENTIFICATION

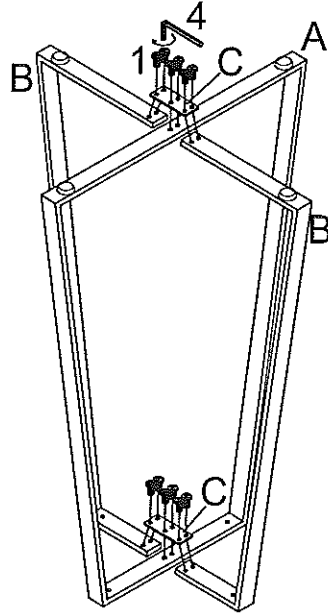
(A)		LEG FRAME	1PC
(B)		HALF LEG FRAME	2PCS
(C)		CONNECTING PLATE	2PCS
(D)		TOP	1PC

Z	HARDWARE IDENTIFICATION		
1	SMALL BOLT $\varnothing 1/4 \times 12\text{MM}$		12PCS
2	FLAT WASHER $\varnothing 1/4 \times 16\text{MM}$		4PCS
3	LARGE BOLT $\varnothing 1/4 \times 20\text{MM}$		4PCS
4	ALLEN WRENCH $\varnothing 1/4 \times 57\text{MM}$		1PCS

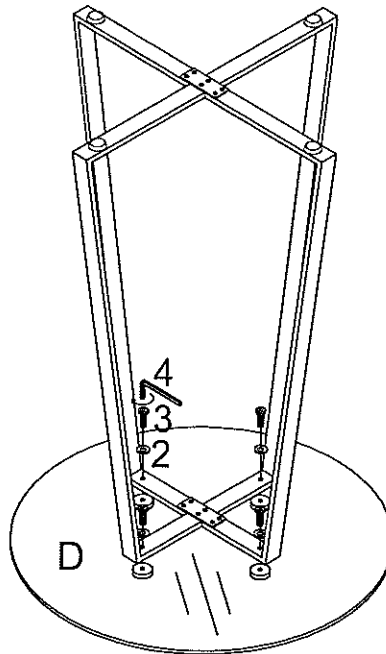
ASSEMBLY INSTRUCTION

It need 2 person and take about 15 minutes to assemble the item.

STEP1



STEP2



ASSEMBLY INSTRUCTION

