

# X-Shaped 6-Drawer Dresser

## Assembly Instruction



## INTRODUCTION

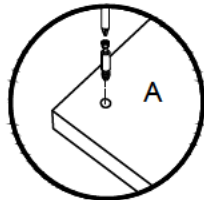
Thank you for purchasing our products. Please read the instructions carefully before installation and keep it in a safe place for future reference

## PRECAUTIONS

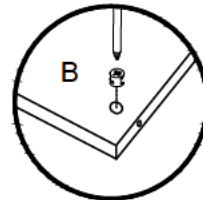
1. There are many components and accessories in the package. Each component and accessory is labeled with a letter or a number, check carefully before using any of them. Keep them away from children to prevent accidents.
2. Please install the product on a clean and soft underlay (such as carpet or cardboard) to avoid scratching or damaging the surface of the product.
3. The main components of the product is relatively heavy. Please pay attention to safety during installation.
4. The product is not stable during installation. Please do not move it randomly before it is completely installed.
5. This product requires two people to install.

**\*PLEASE BE SURE TO FOLLOW THE INSTALLATION STEPS IN THE MANUAL TO AVOID UNNECESSARY LOSSES CAUSED BY IMPROPER INSTALLATION.**

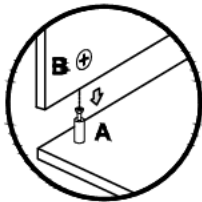
## How to use the cam lock system



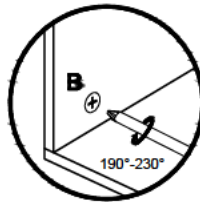
1. Screw cam bolt into panel



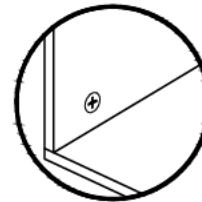
2. Push cam into panel - arrow feature on cam top points to panel edge



3. Align cam bolt(s) with cam(s) and insert all the way into cross-bored hole(s)

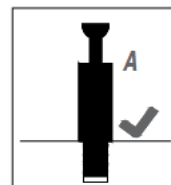
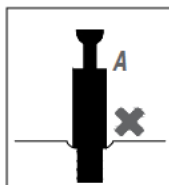
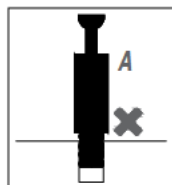
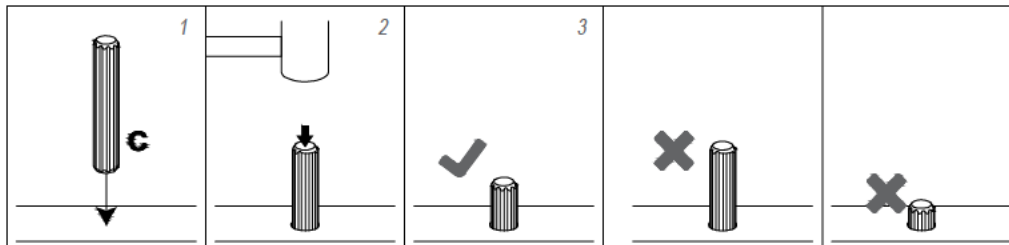


4. Rotate cam(s) clockwise 190°-230° to lock panels together



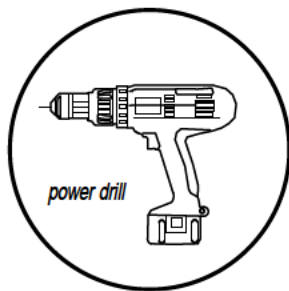
5. Panels should be tight against each other and connection should be rigid

Insert the wood dowel [C] at least half way by tapping lightly with a rubber mallet, IF NECESSARY



### ▲ WARNING

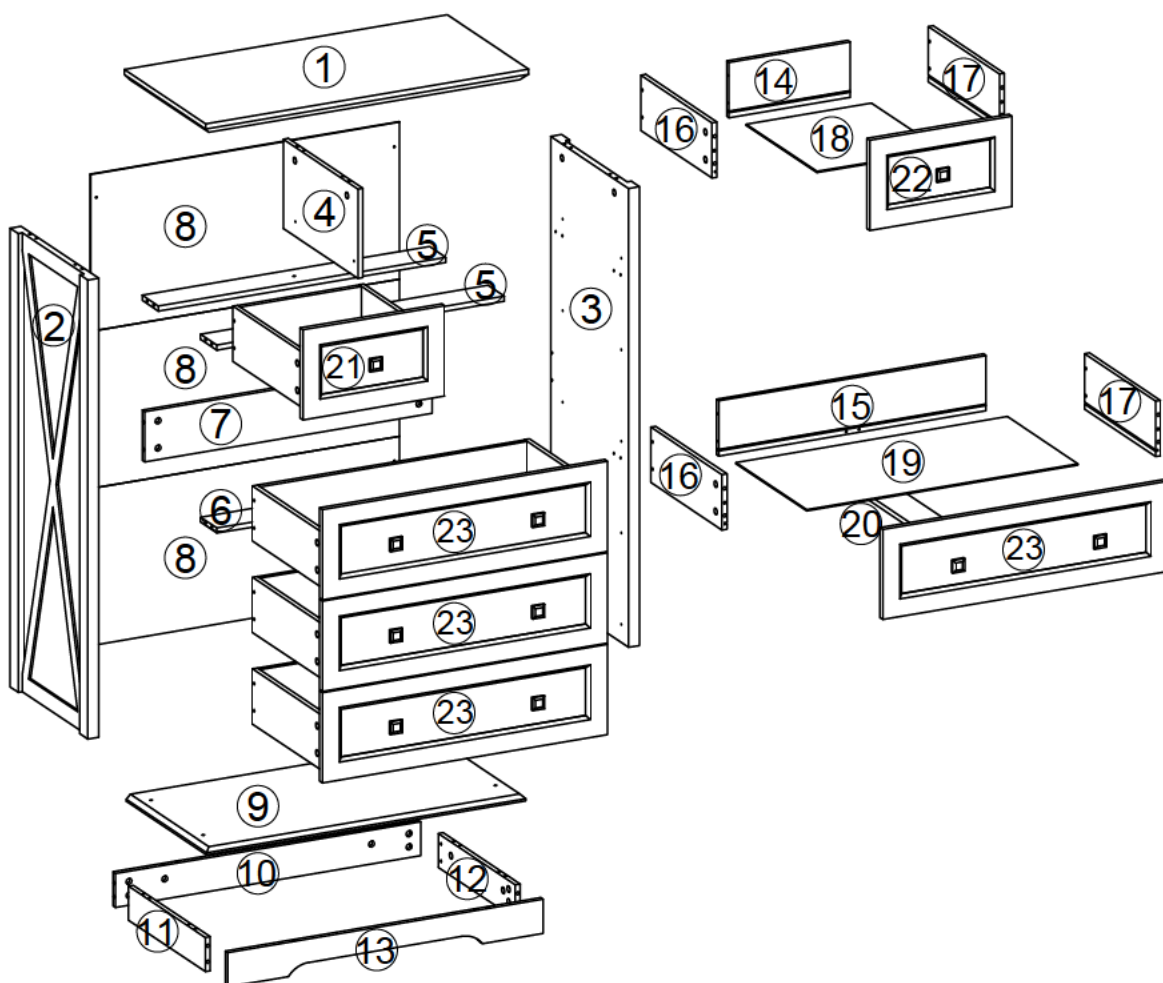
- . Unit must be placed on a level surface or leveled with included hardware (when applicable).
- . Do not sit or stand on or allow children to climb, sit or stand on the assembled product.
- . For safety reasons, it is imperative that this unit be mounted to the wall.
- . Do not use without installing the tip restraint. Unit can tip over causing severe injury or death.
- . Do not exceed the recommended weight limits.
- . Evenly distribute the weight on each level and always keep the heavier loads on the bottom.
- . Before cutting, drilling or hammering into any wall or floor surface, verify the location of electrical, plumbing and gas lines. Cutting may cause serious injury.



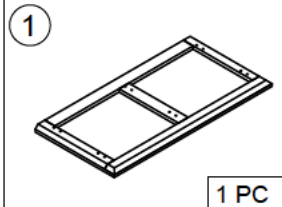
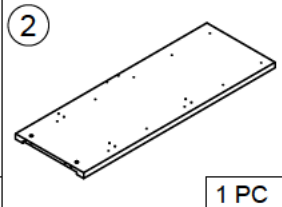
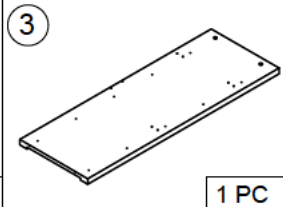
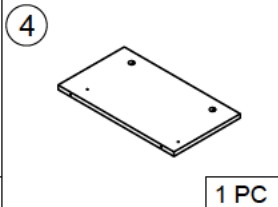
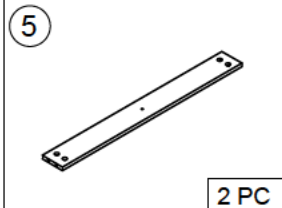
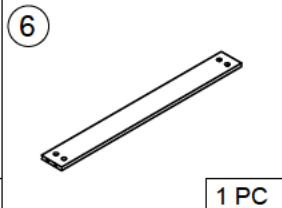
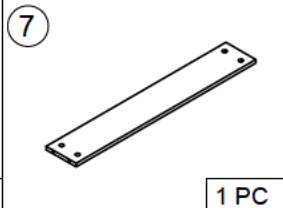
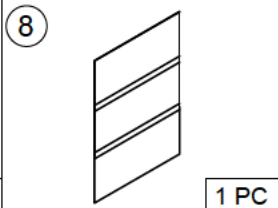
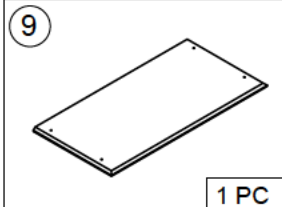
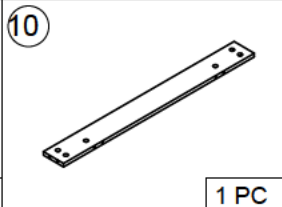
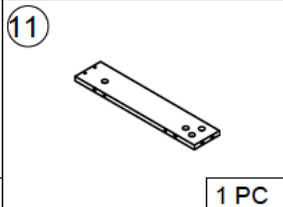
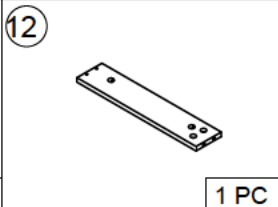
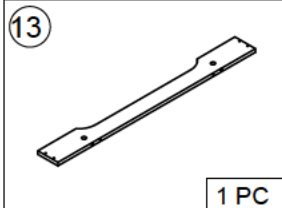
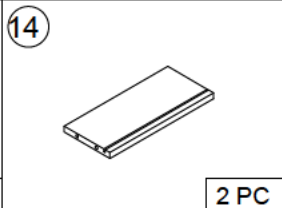
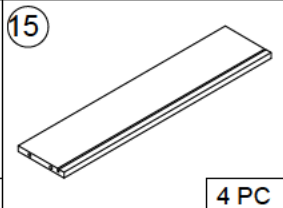
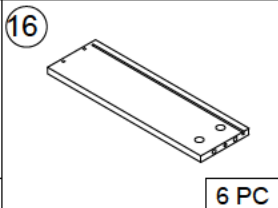
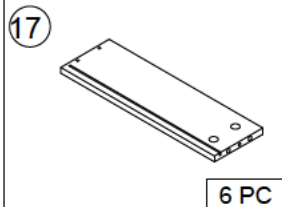
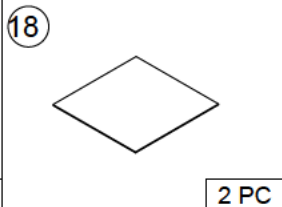
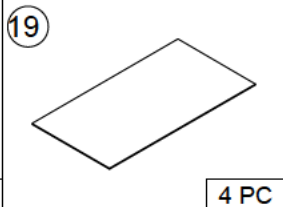
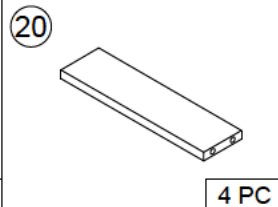
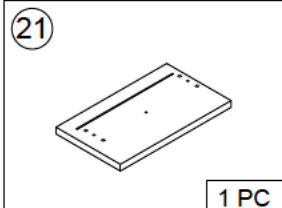
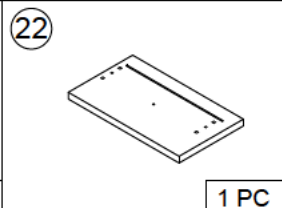
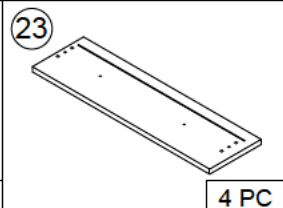
We recommend using  
a power drill to assemble.











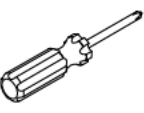


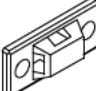

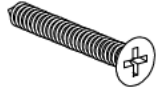

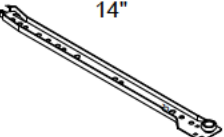


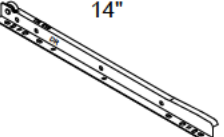
## The explosion

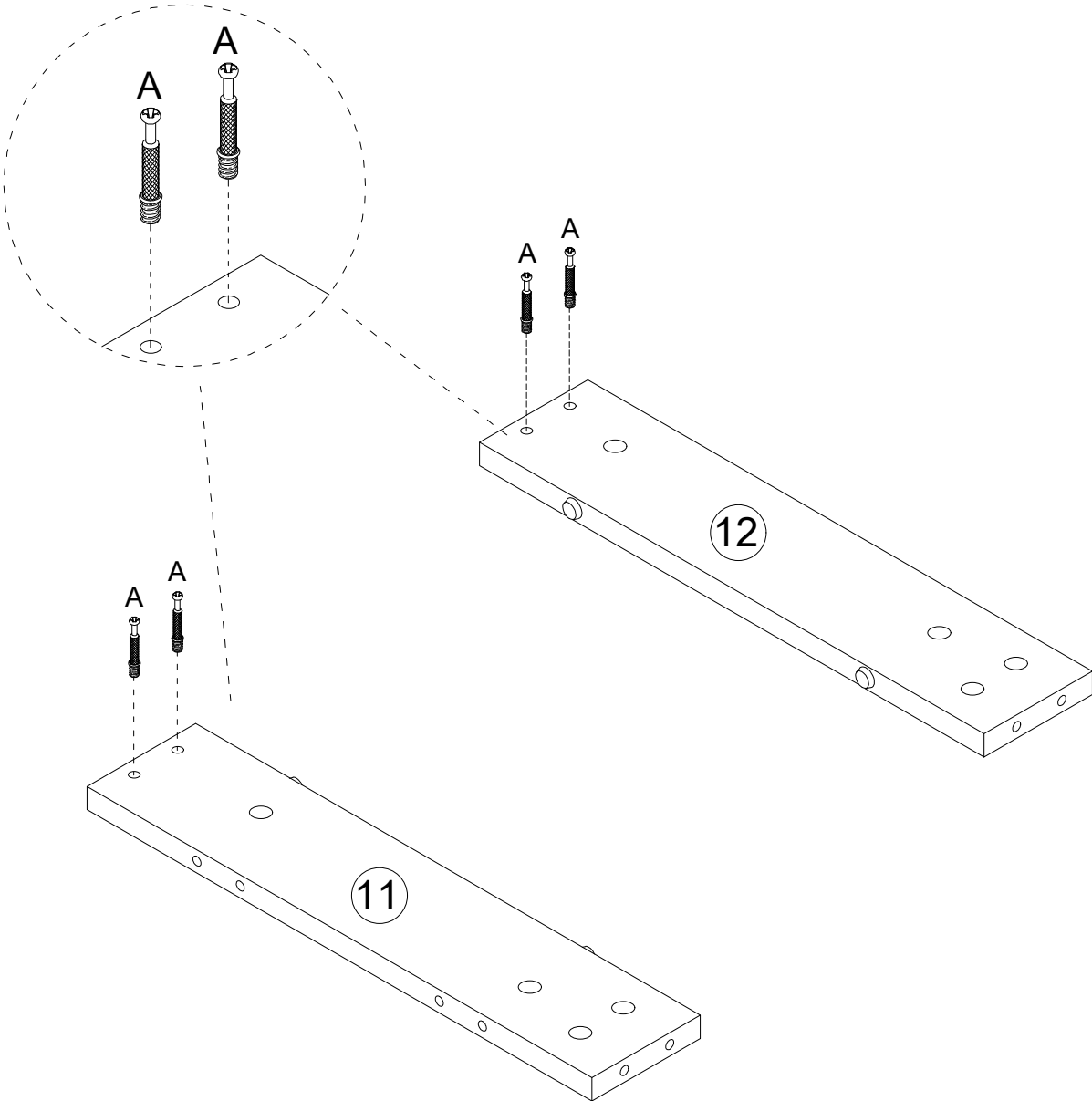


## Parts List

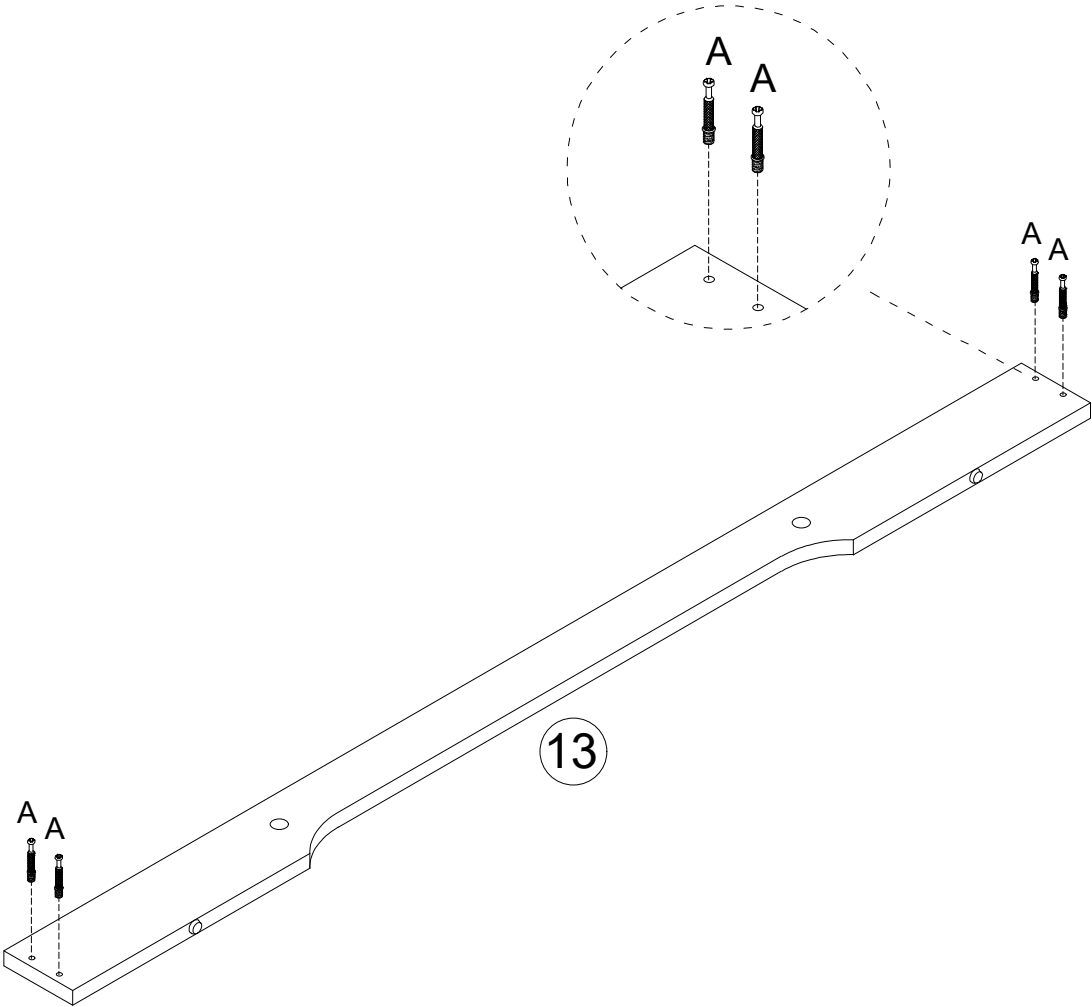
 1 PC	 1 PC	 1 PC	 1 PC
 2 PC	 1 PC	 1 PC	 1 PC
 1 PC	 1 PC	 1 PC	 1 PC
 1 PC	 2 PC	 4 PC	 6 PC
 6 PC	 2 PC	 4 PC	 4 PC
 1 PC	 1 PC	 4 PC	

## Hardware List


 <b>A</b> 78+4 PCS	$\text{Ø}15 \times 10\text{MM}$  <b>B</b> 78+4 PCS	$\text{Ø}6 \times 30\text{MM}$  <b>C</b> 30+2 PCS	$\text{Ø}5 \times 48\text{MM}$  <b>D</b> 30+2 PCS
$\text{Ø}3.0 \times 12\text{MM}$  <b>E</b> 50+4 PCS	$\text{M}4 \times 10\text{MM}$  <b>F</b> 10 PCS	$30 \times 24\text{MM}$  <b>G</b> 10 PCS	$\text{Ø}3.0 \times 16\text{MM}$  <b>H</b> 20+2 PCS
 <b>I</b> 1 PCS	$\text{S}3$  <b>J</b> 1 PCS	$\text{Ø}3.5 \times 12\text{MM}$  <b>L</b> 2 PCS	
 <b>K</b> 4 PCS	 <b>4 PCS</b>	$\text{Ø}4 \times 35\text{mm}$  <b>4 PCS</b>	 <b>2 PCS</b>
$14''$  <b>CL</b> 6 PCS	$14''$  <b>CR</b> 6 PCS	$14''$  <b>DL</b> 6 PCS	$14''$  <b>DR</b> 6 PCS



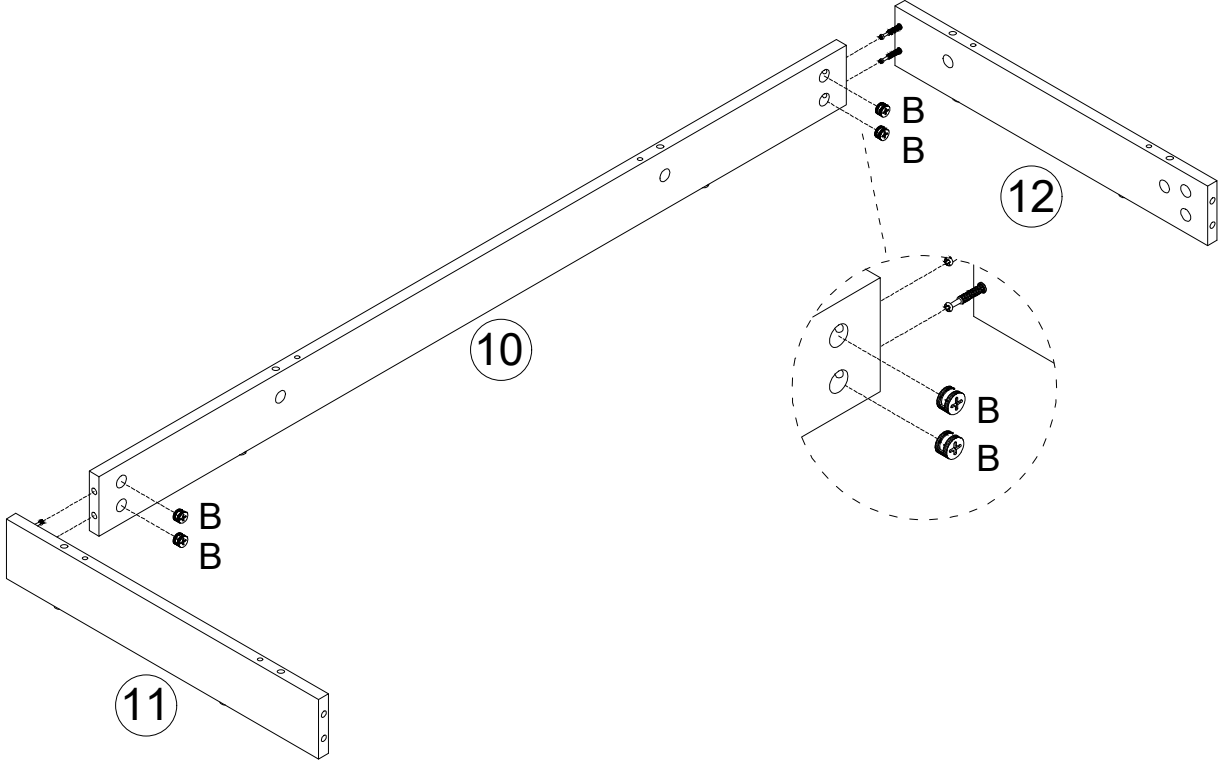
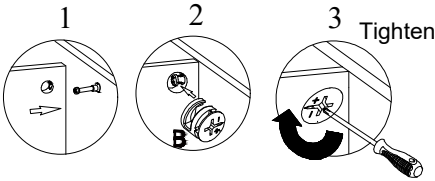
A	4	
---	---	---



13

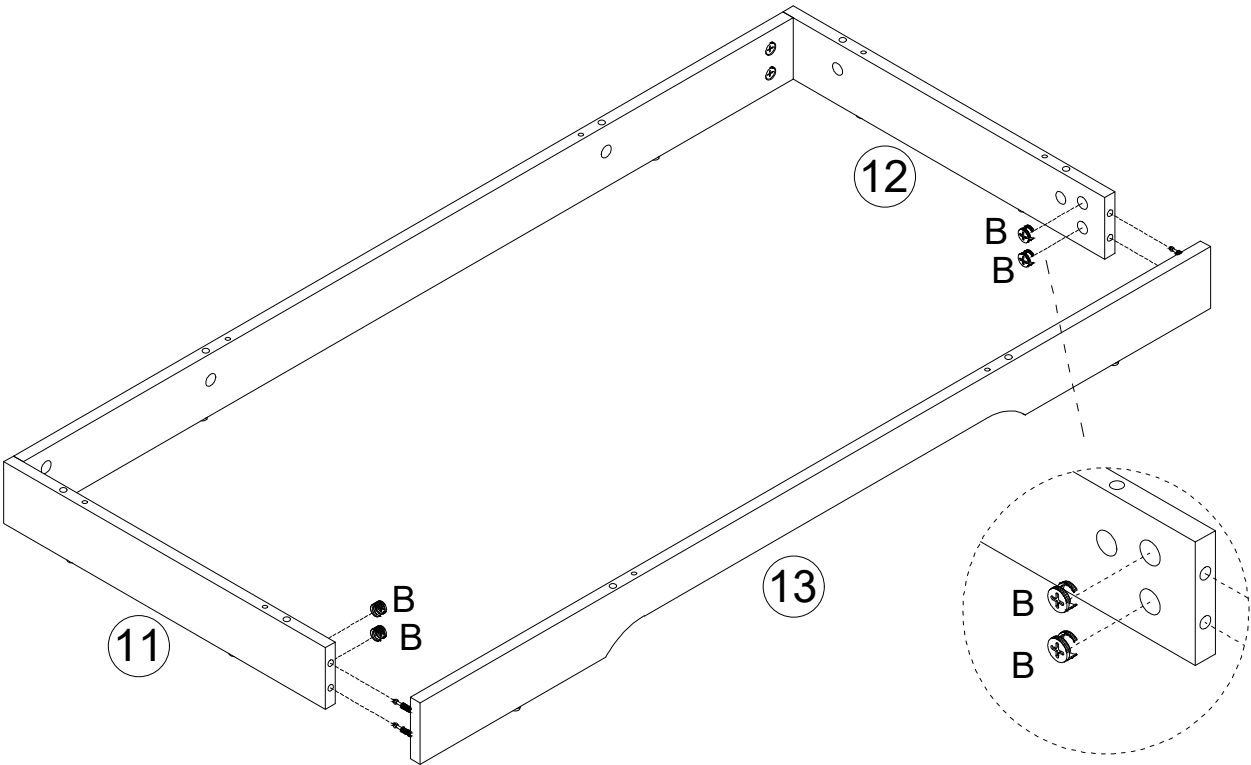
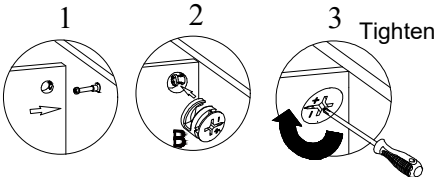
A	4	
---	---	---

STEP 3



B	4	
---	---	--

STEP 4

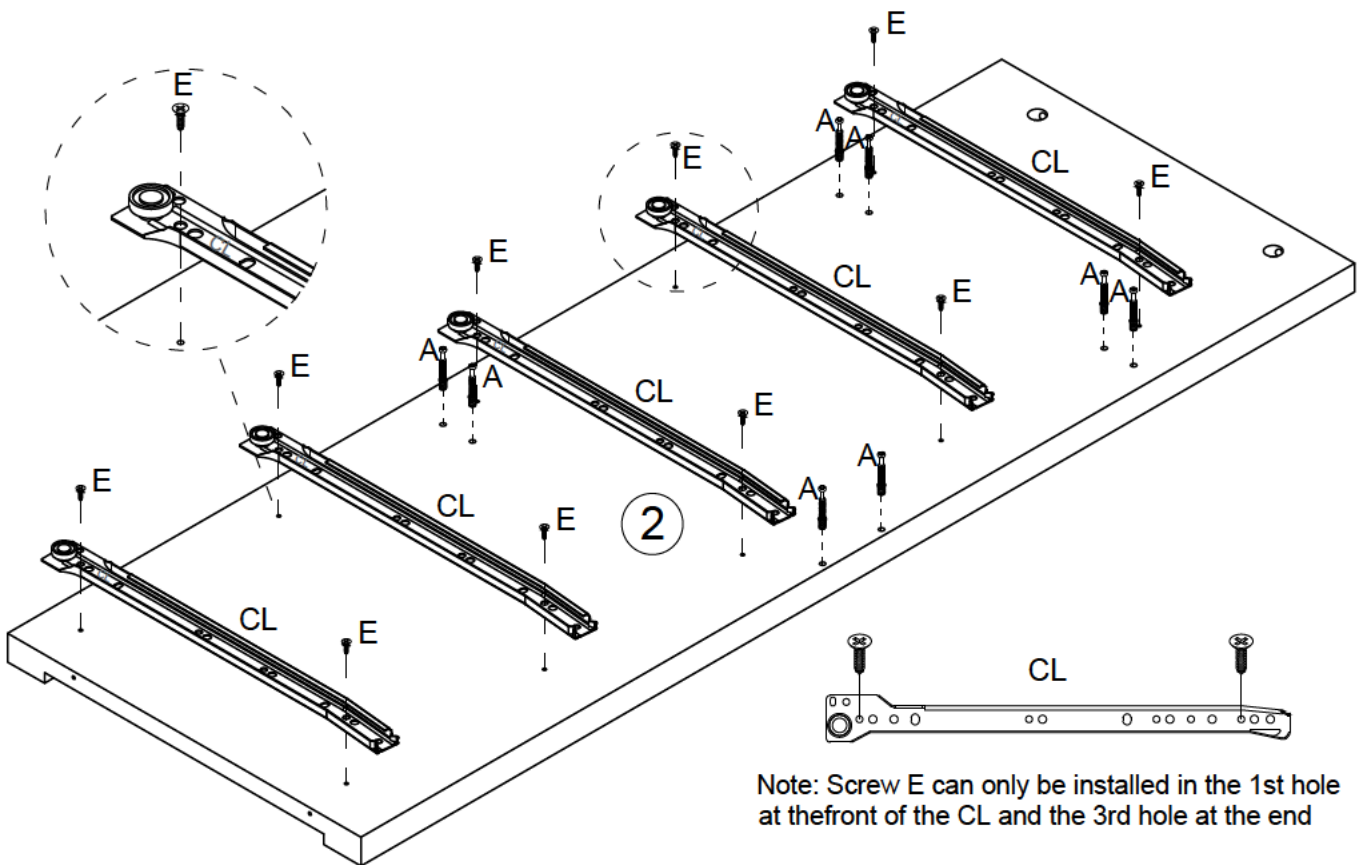
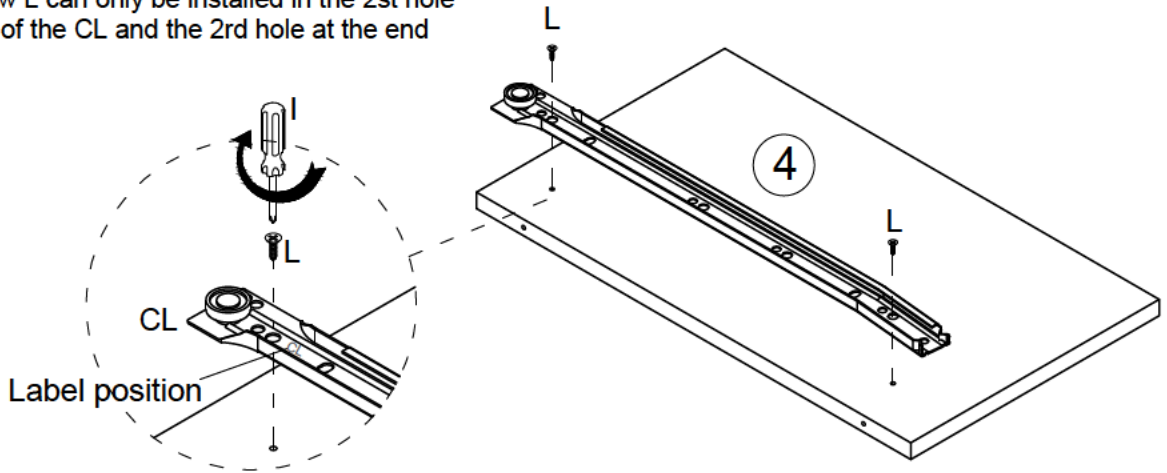


B	4	
---	---	--

# STEP 5



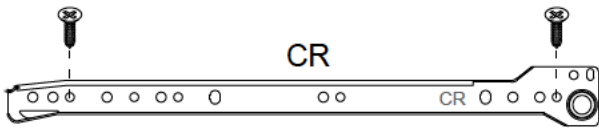
Note: Screw L can only be installed in the 2nd hole at the front of the CL and the 2nd hole at the end



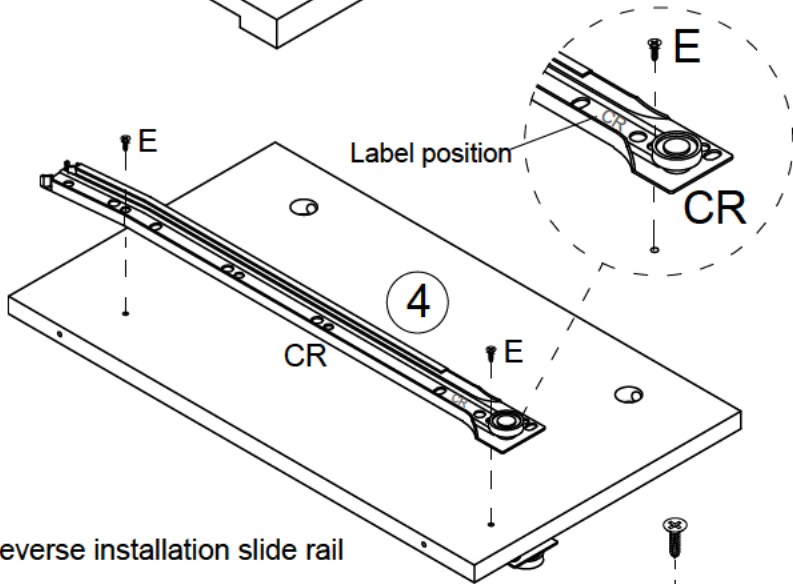
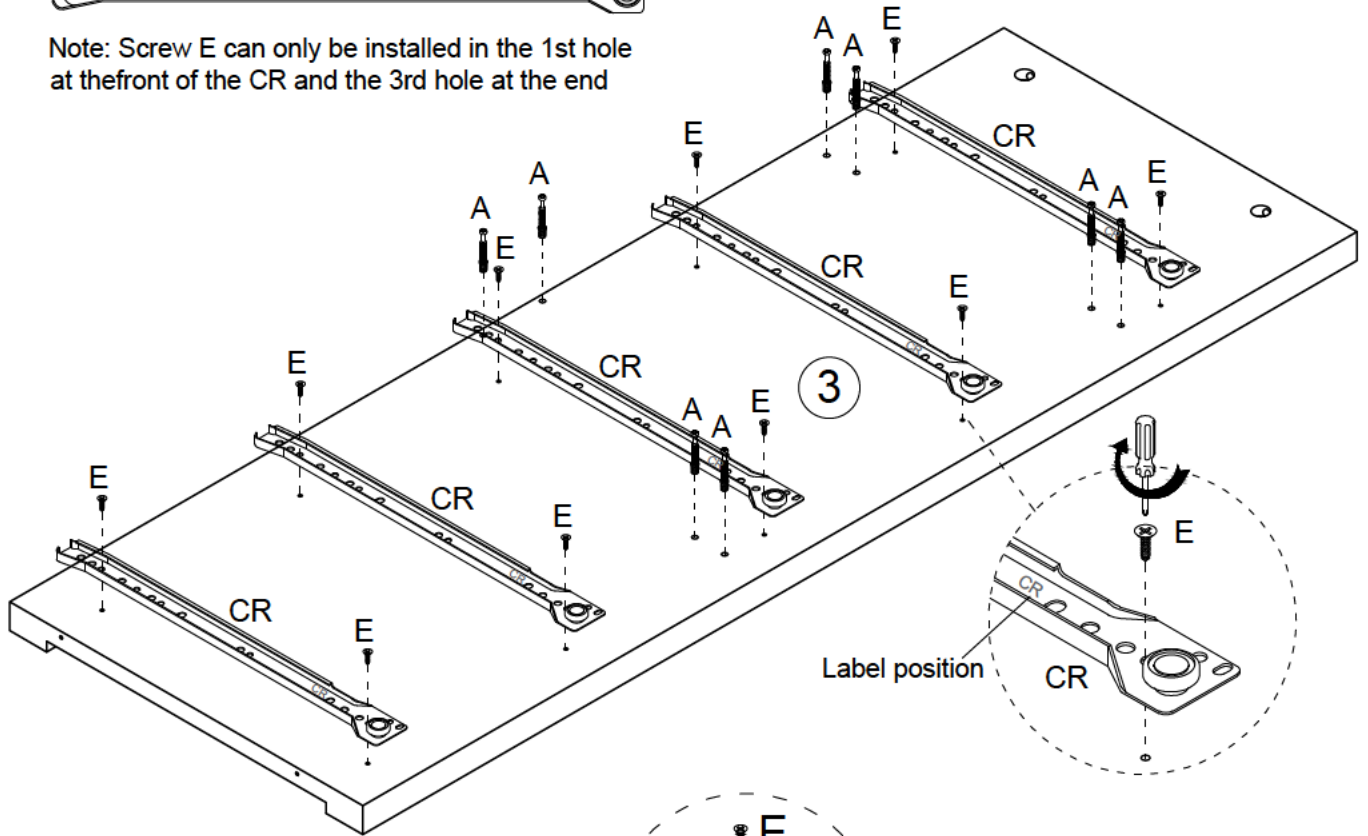
Note: Screw E can only be installed in the 1st hole at the front of the CL and the 3rd hole at the end

A	8		E	10		L	2		CL	6	
---	---	--	---	----	--	---	---	--	----	---	--

# STEP 6

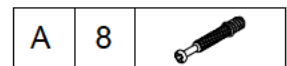
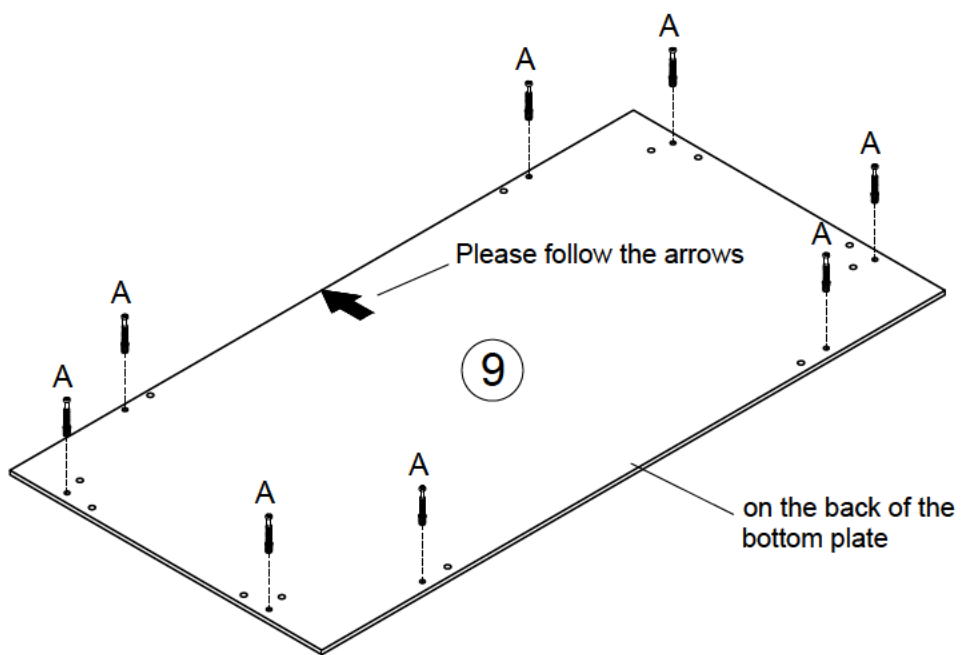


Note: Screw E can only be installed in the 1st hole at the front of the CR and the 3rd hole at the end

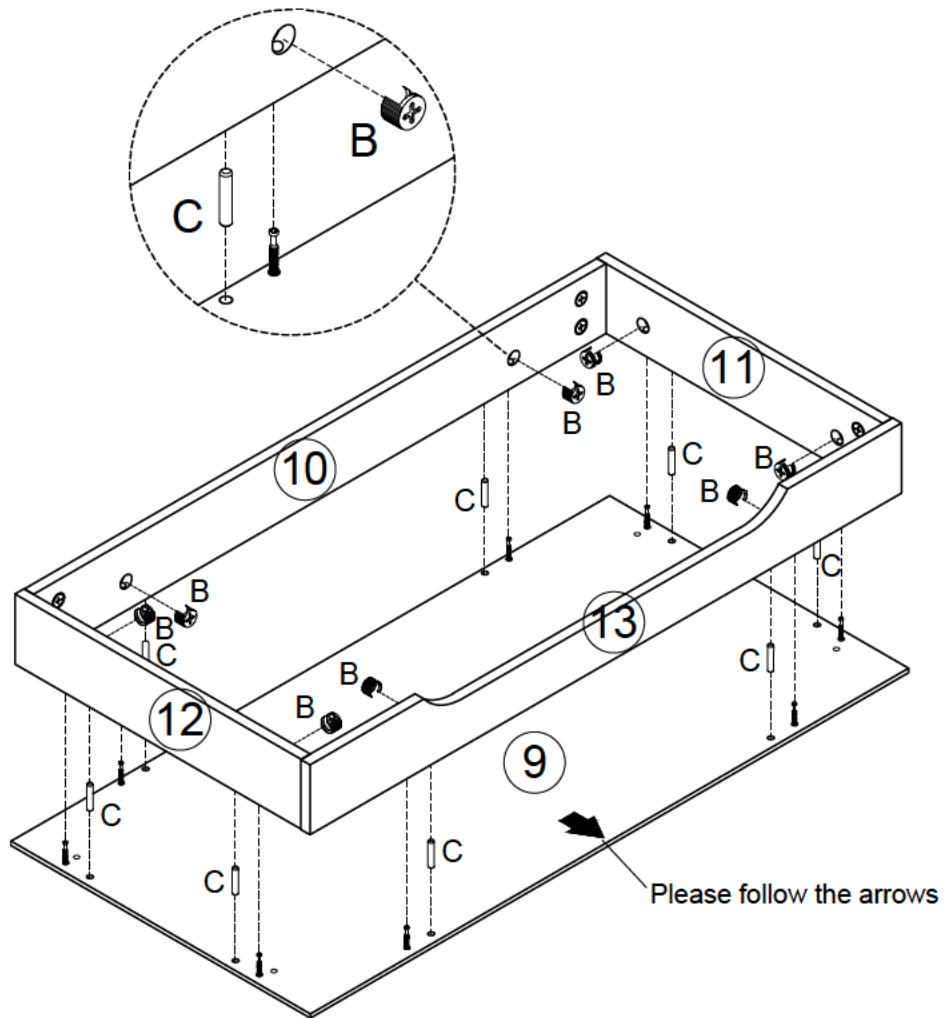
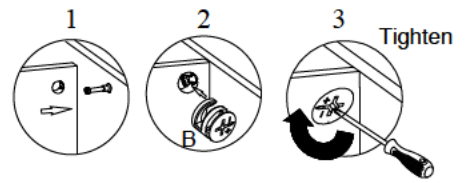




Note: Screw E can only be installed in the 1st hole at the front of the CR and the 3rd hole at the end

A	8		E	12		CR	6	
---	---	--	---	----	--	----	---	--

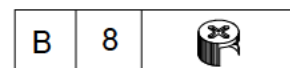
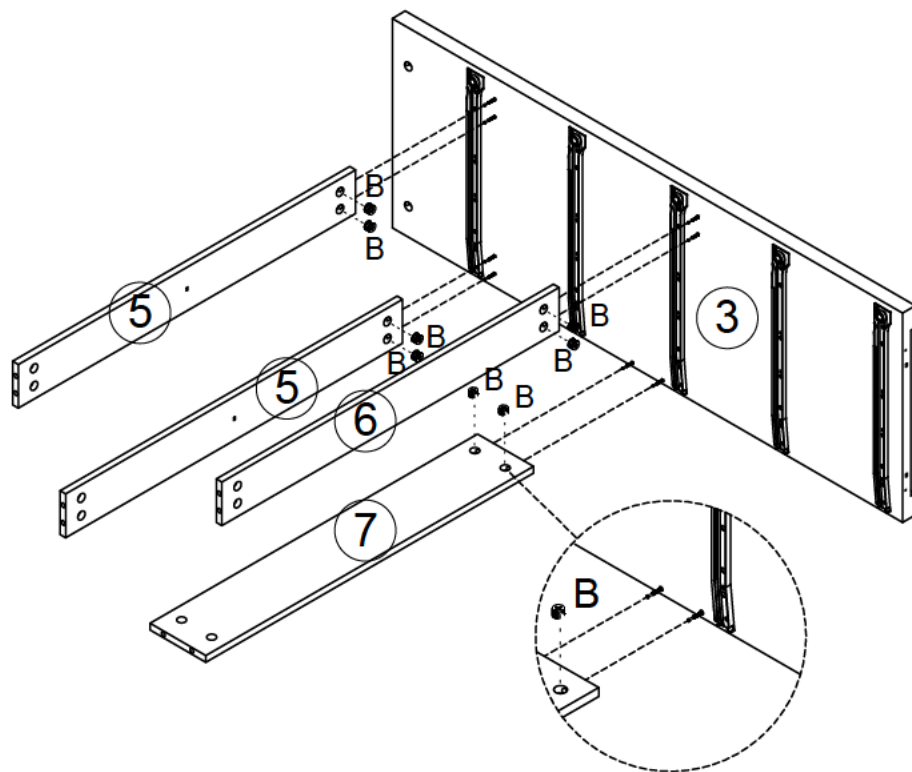
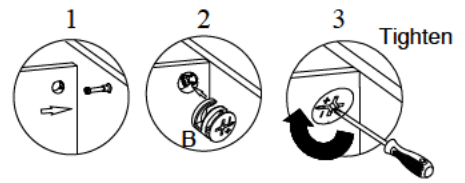


# STEP 8

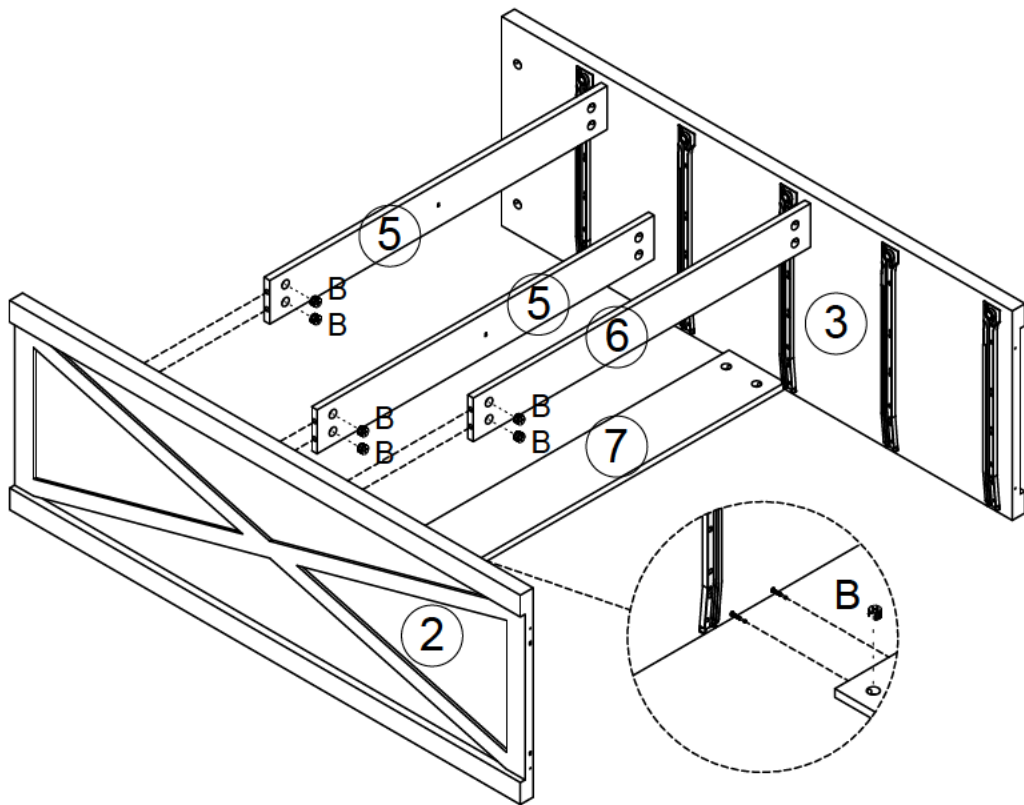
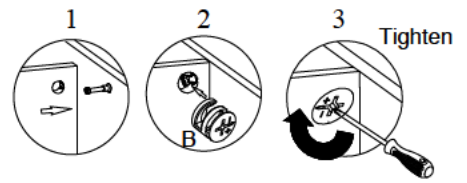



B	8		C	8	
---	---	---	---	---	---

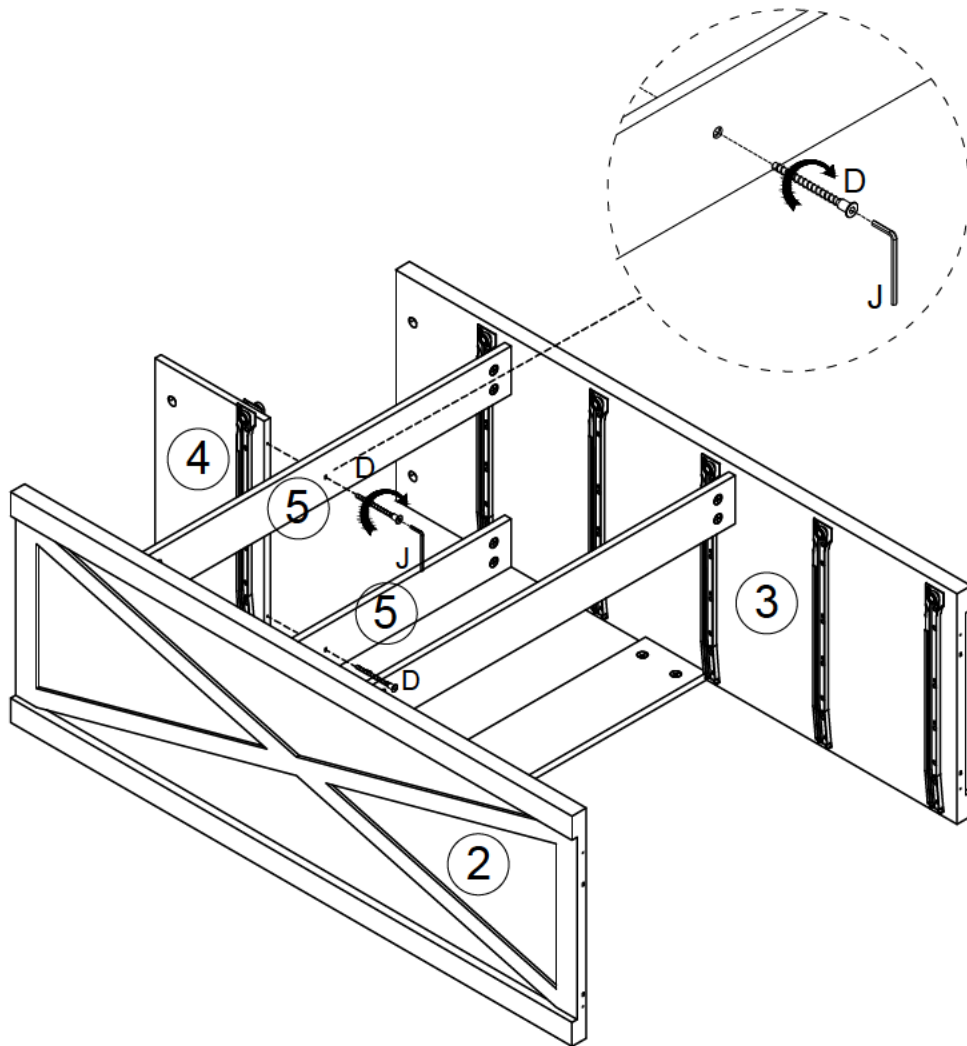
# STEP 9




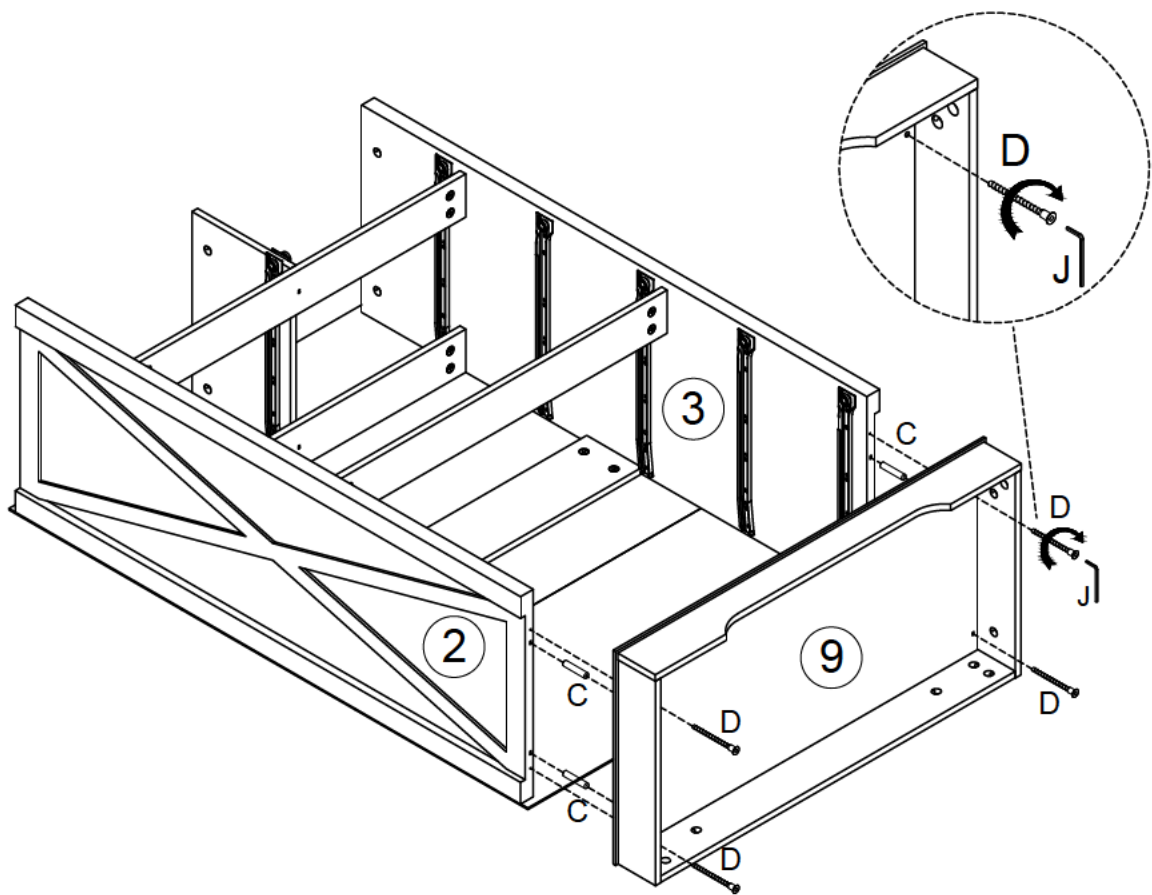
# STEP 10



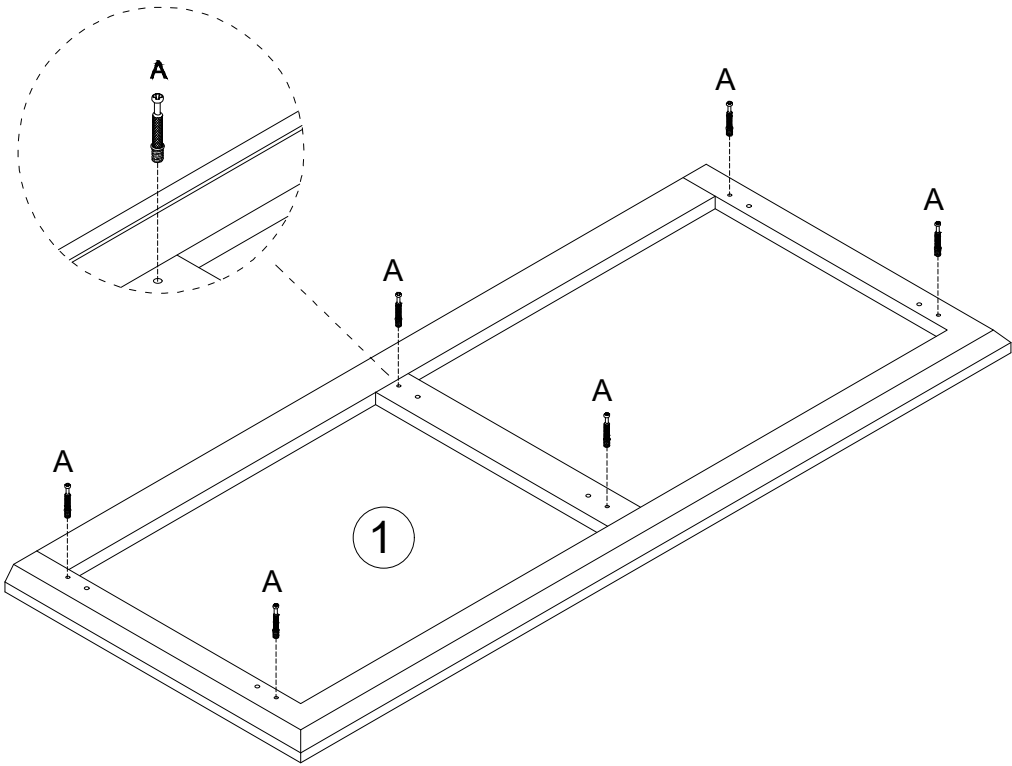
B	8	
---	---	---



D	2		J	Tools	
---	---	---	---	-------	---

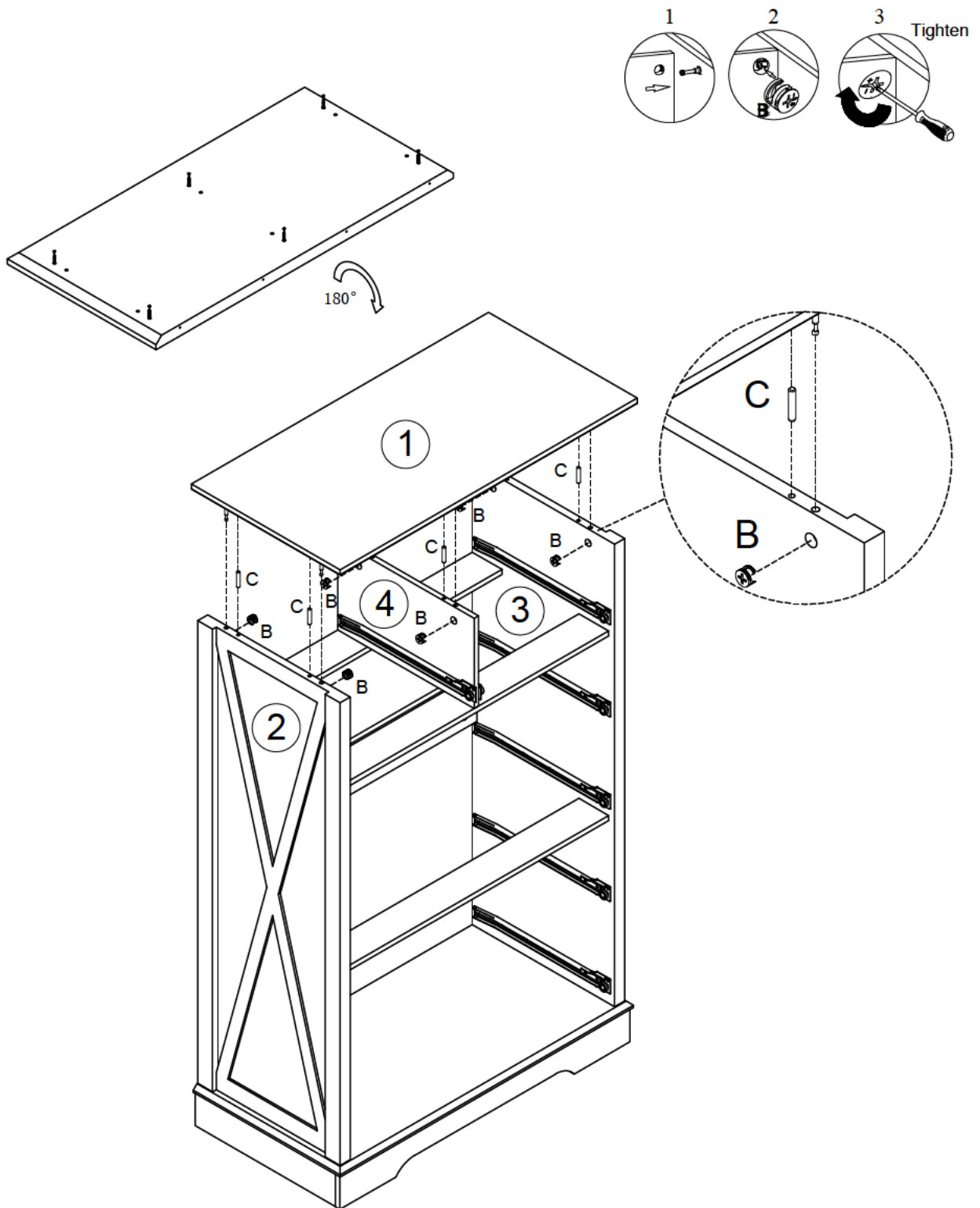




C	4		D	4		J	
---	---	---	---	---	---	---	---

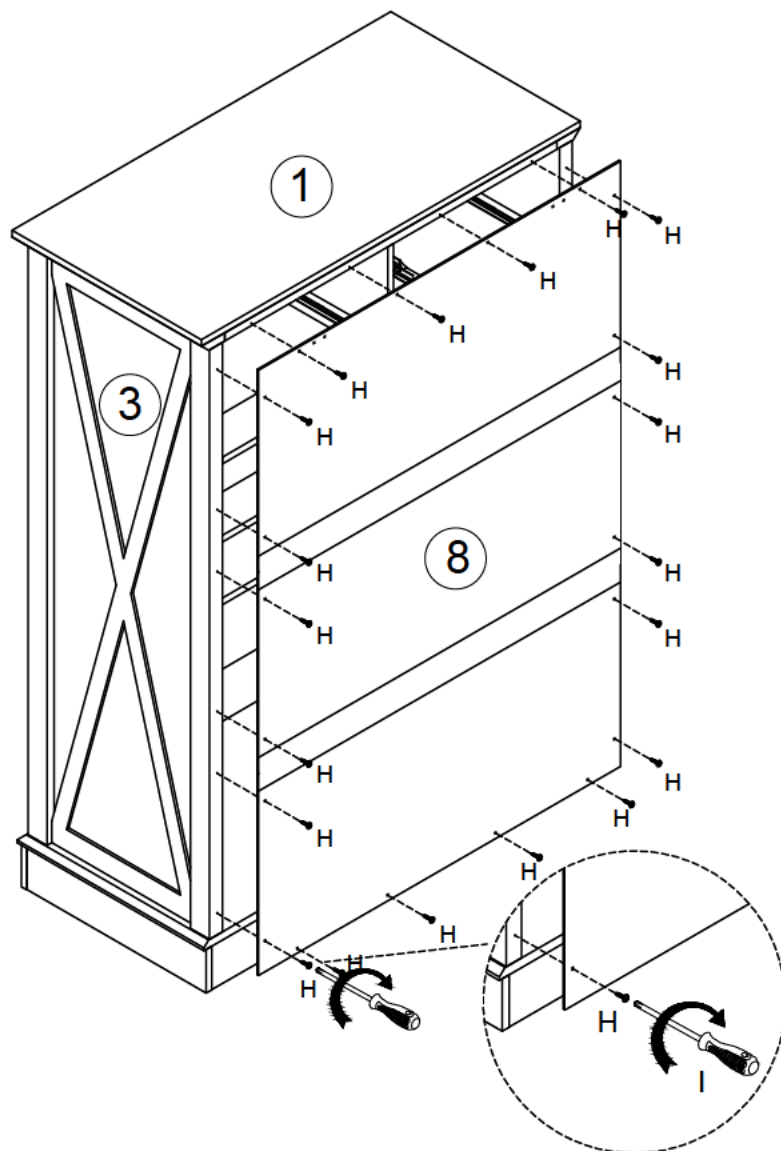




A	6	
---	---	---

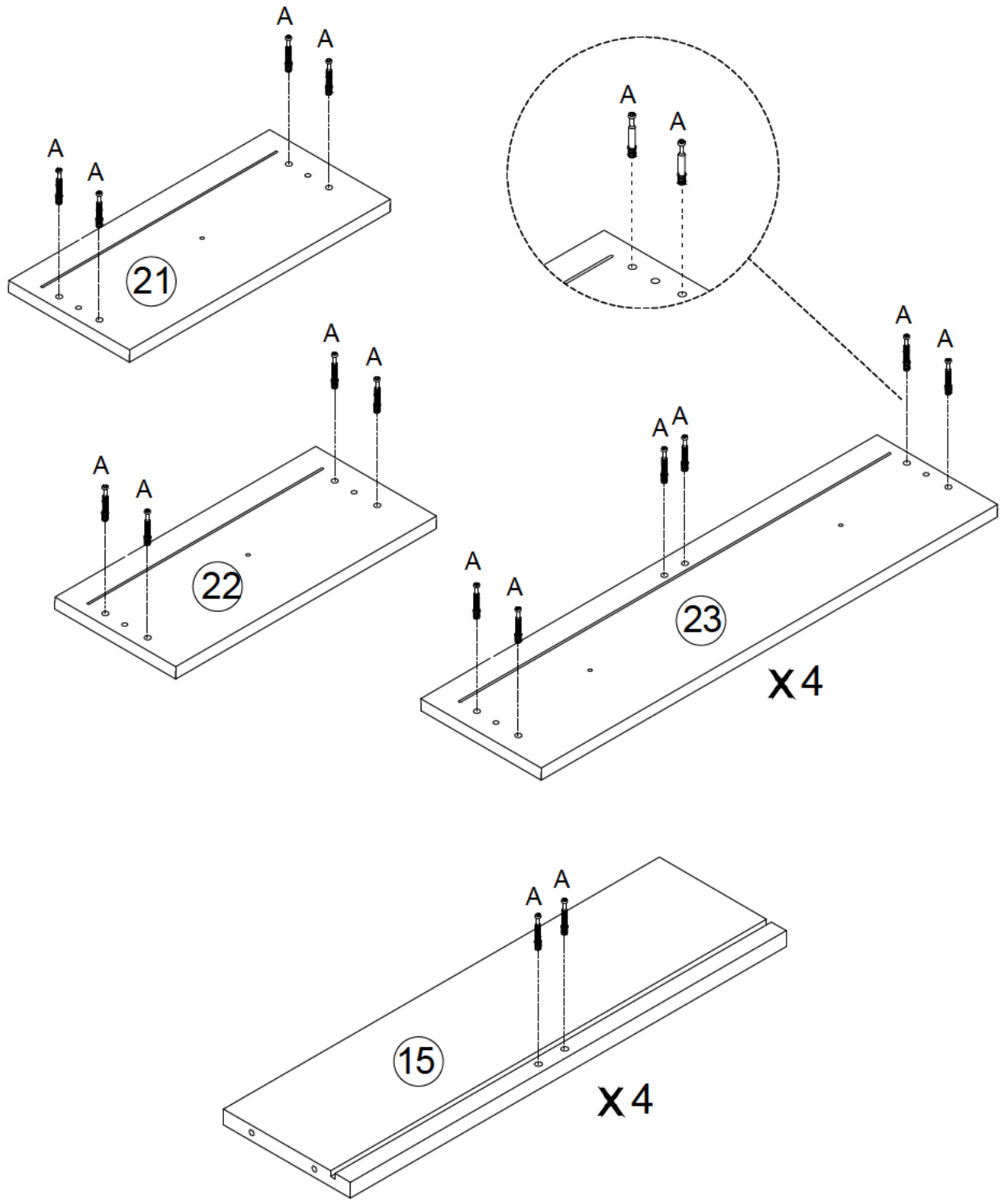
# STEP 14




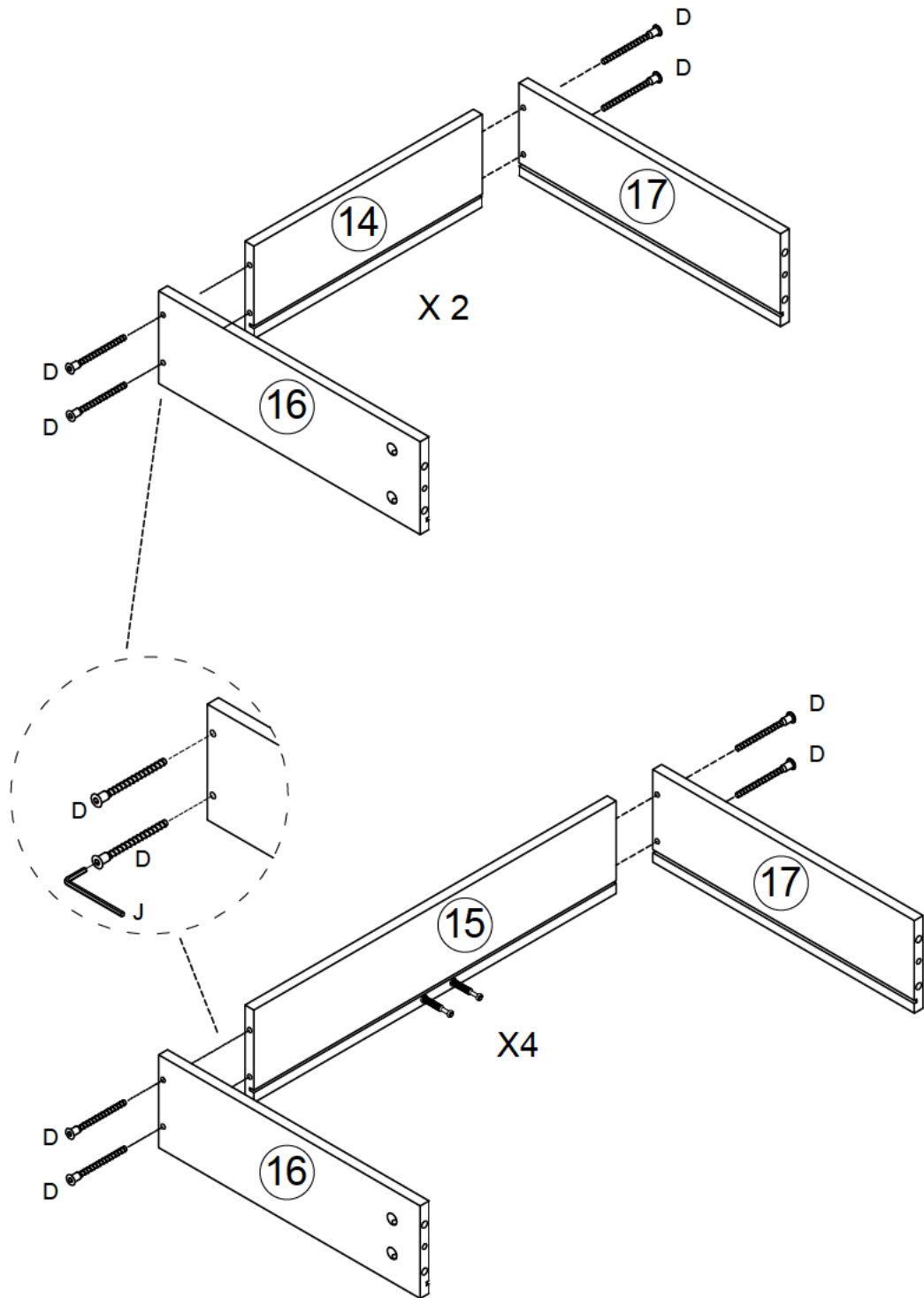
B	6		C	6	
---	---	---	---	---	---





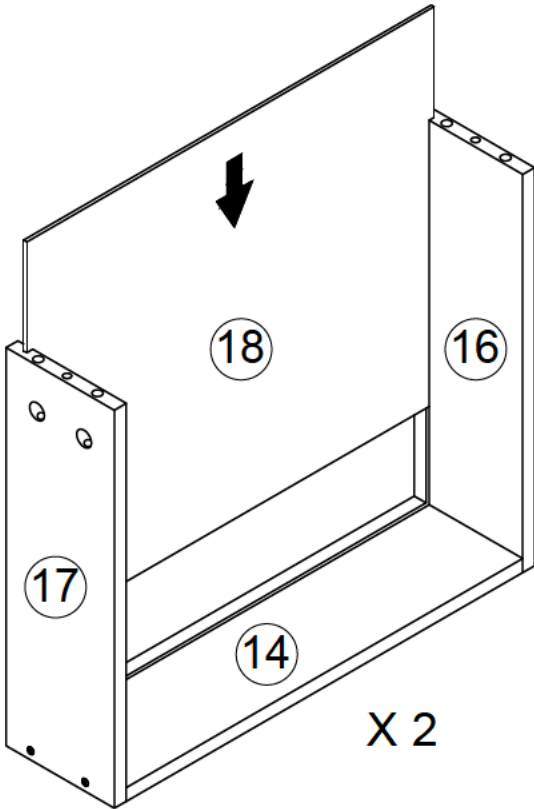
H	20		I	
---	----	---	---	---

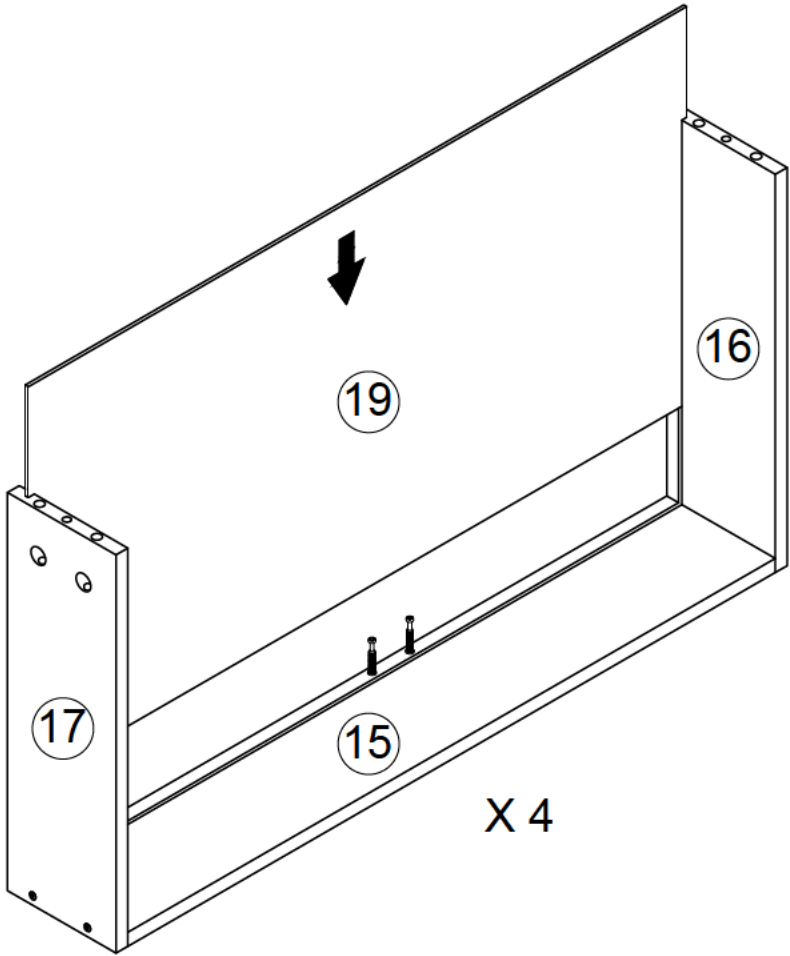


A	40	
---	----	---

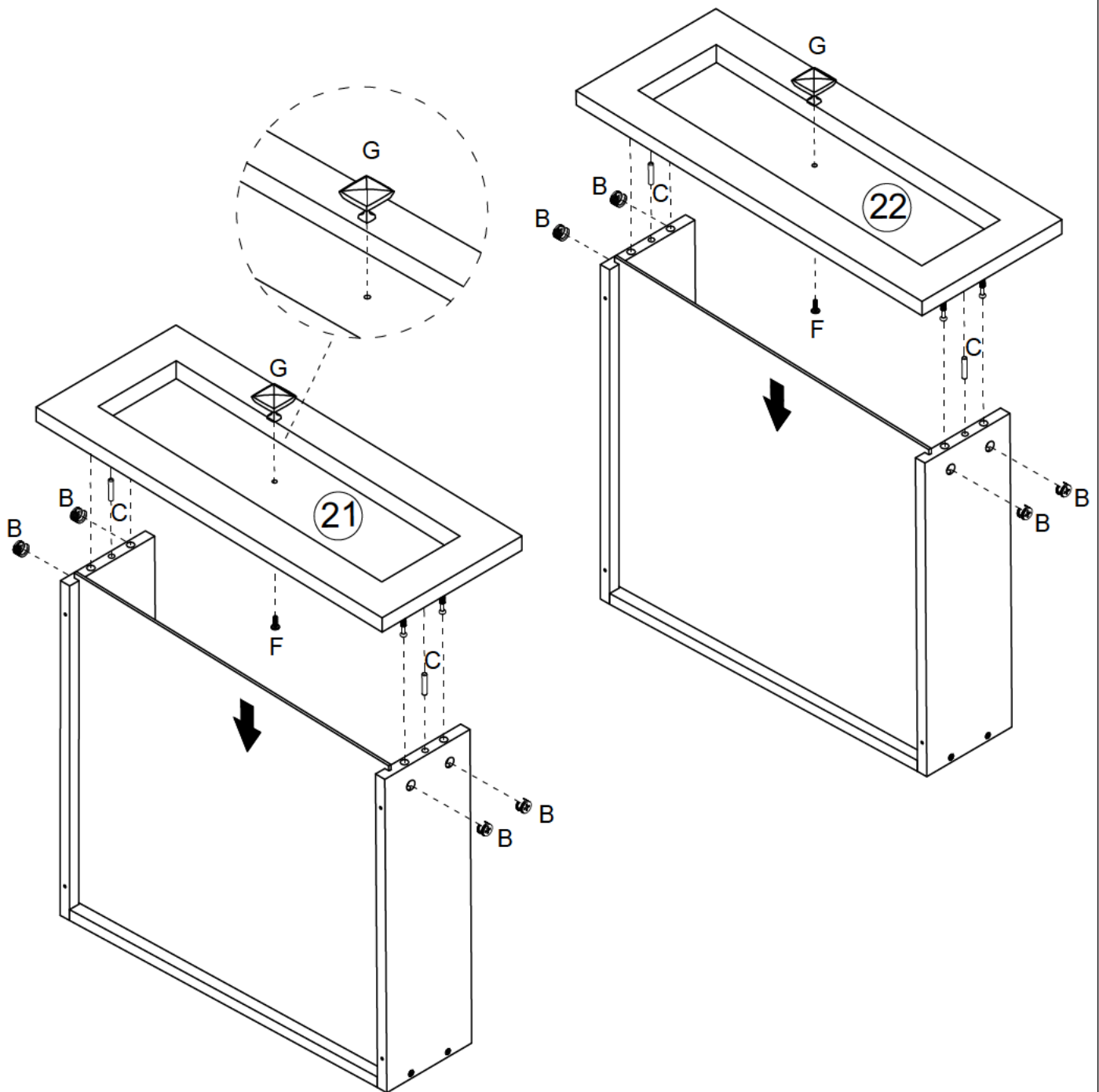
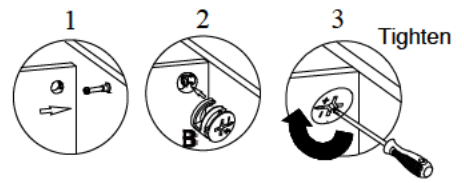





D	24		J	
---	----	---	---	---

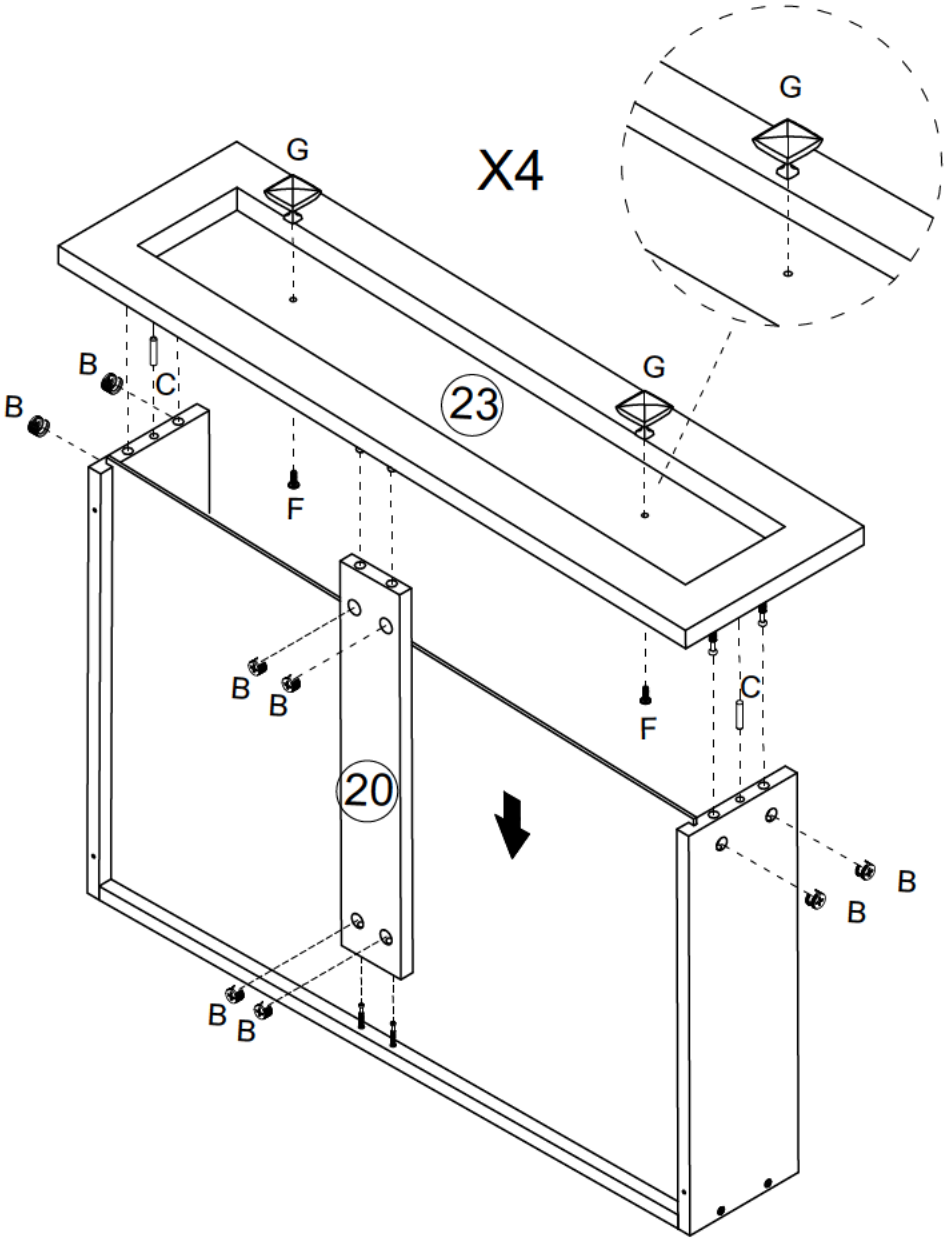
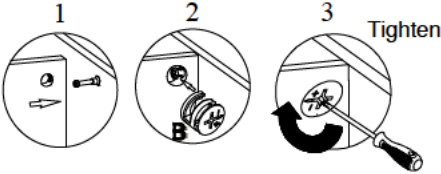




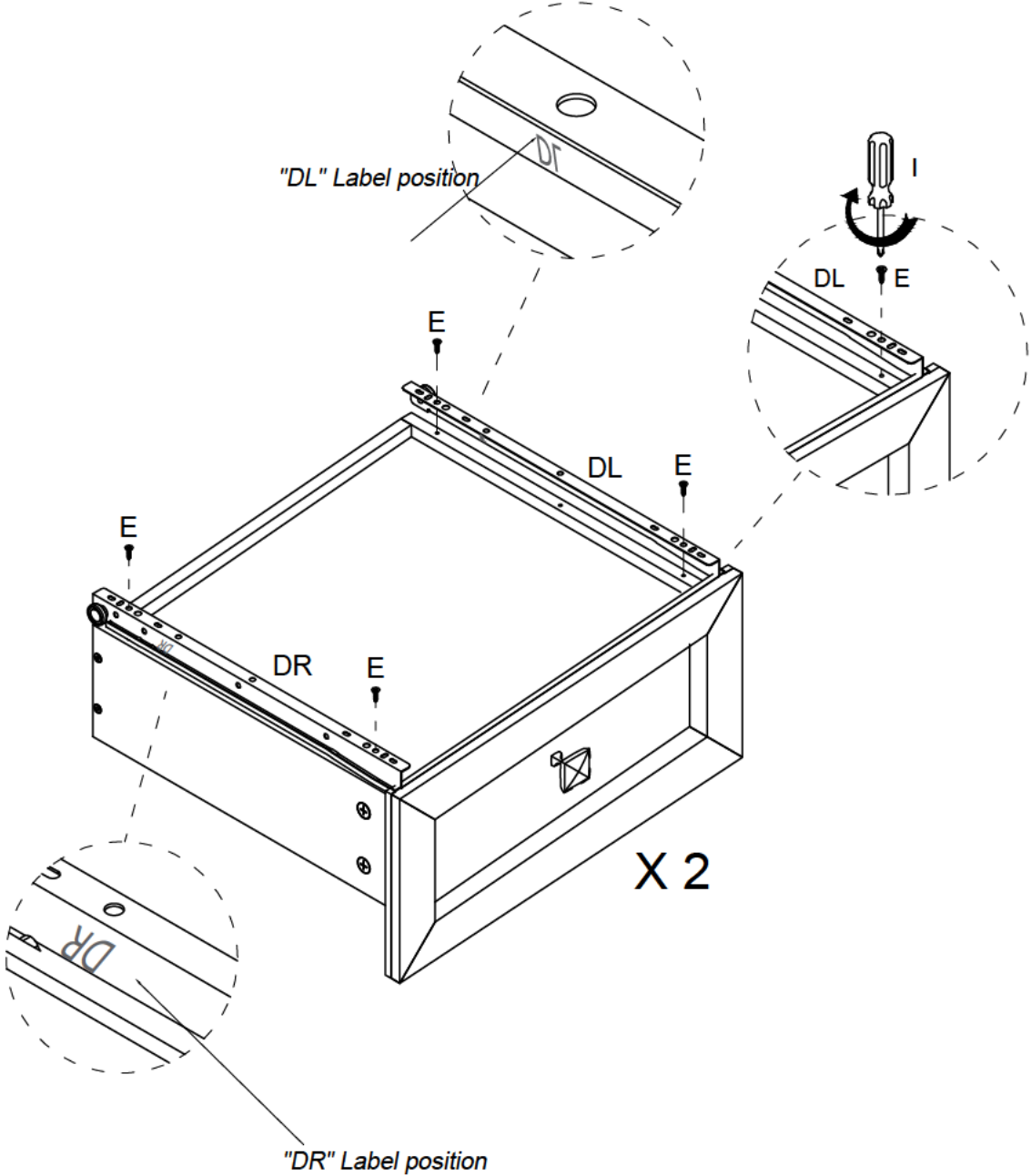
# STEP 20







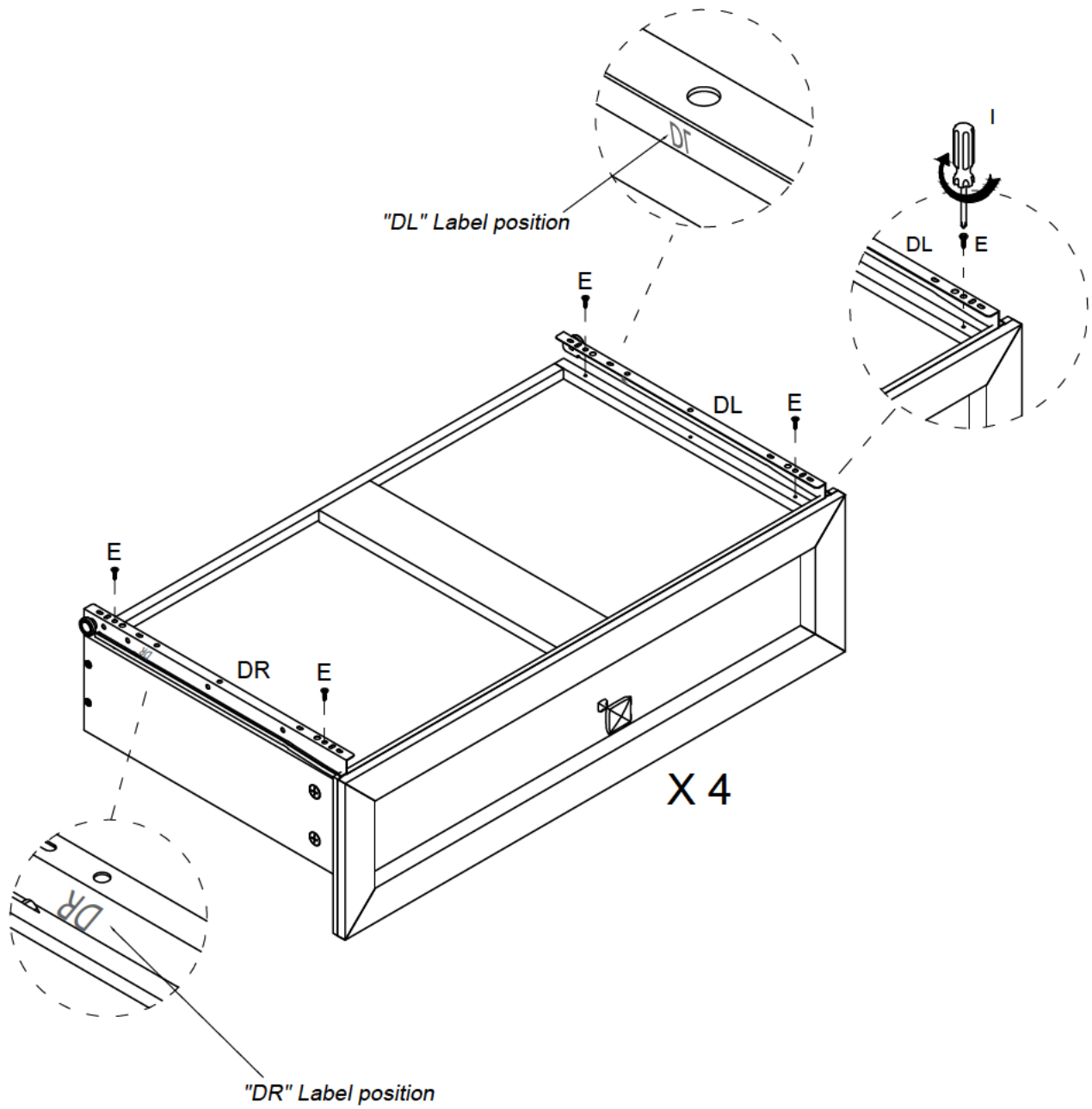
B	8		C	4		F	2		G	2	
---	---	---	---	---	---	---	---	---	---	---	--







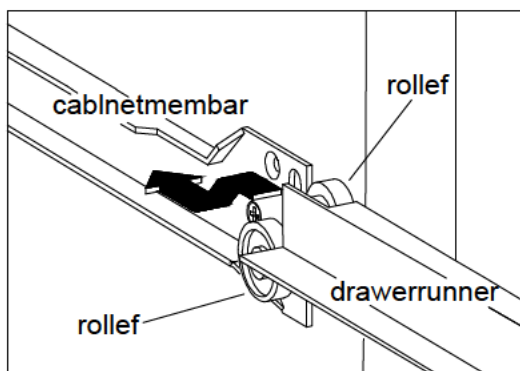
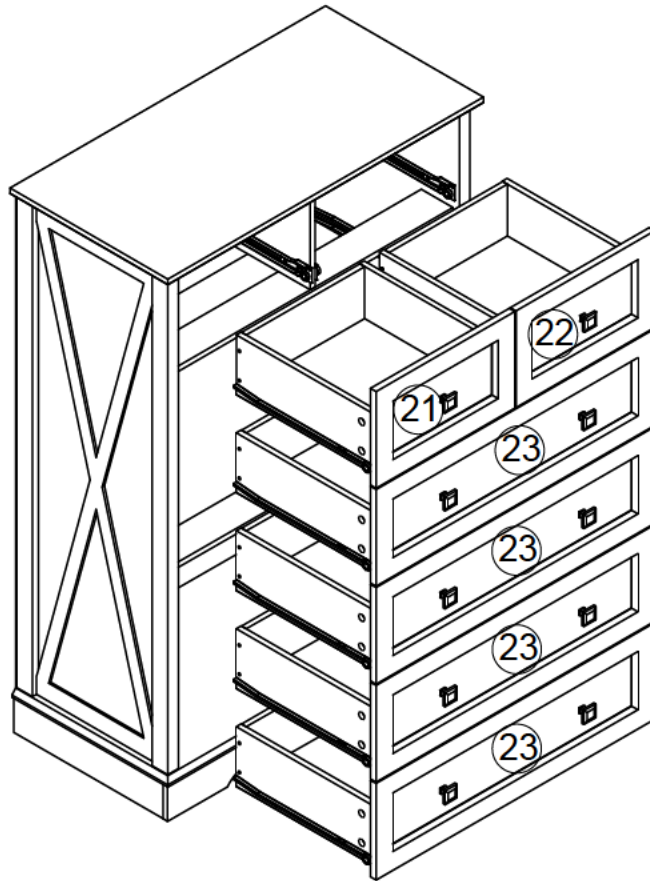
B	32		C	8		F	8		G	8	
---	----	--	---	---	--	---	---	--	---	---	--



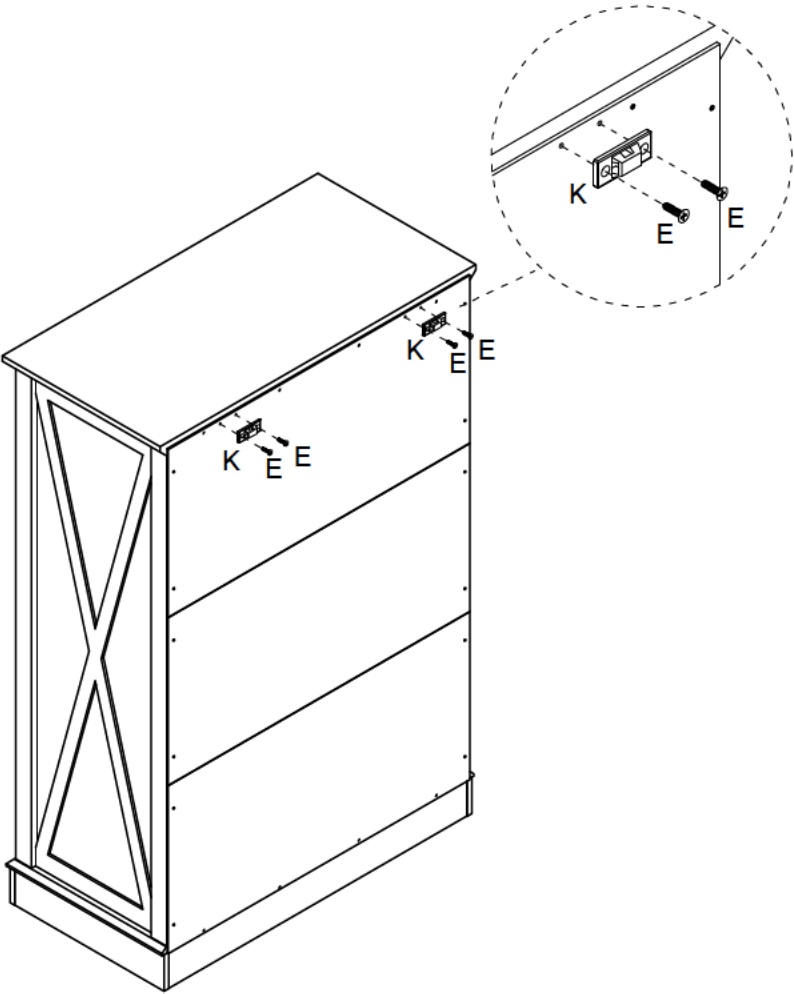
E	8		I		DL	2		DR	2	
---	---	---	---	---	----	---	--	----	---	---





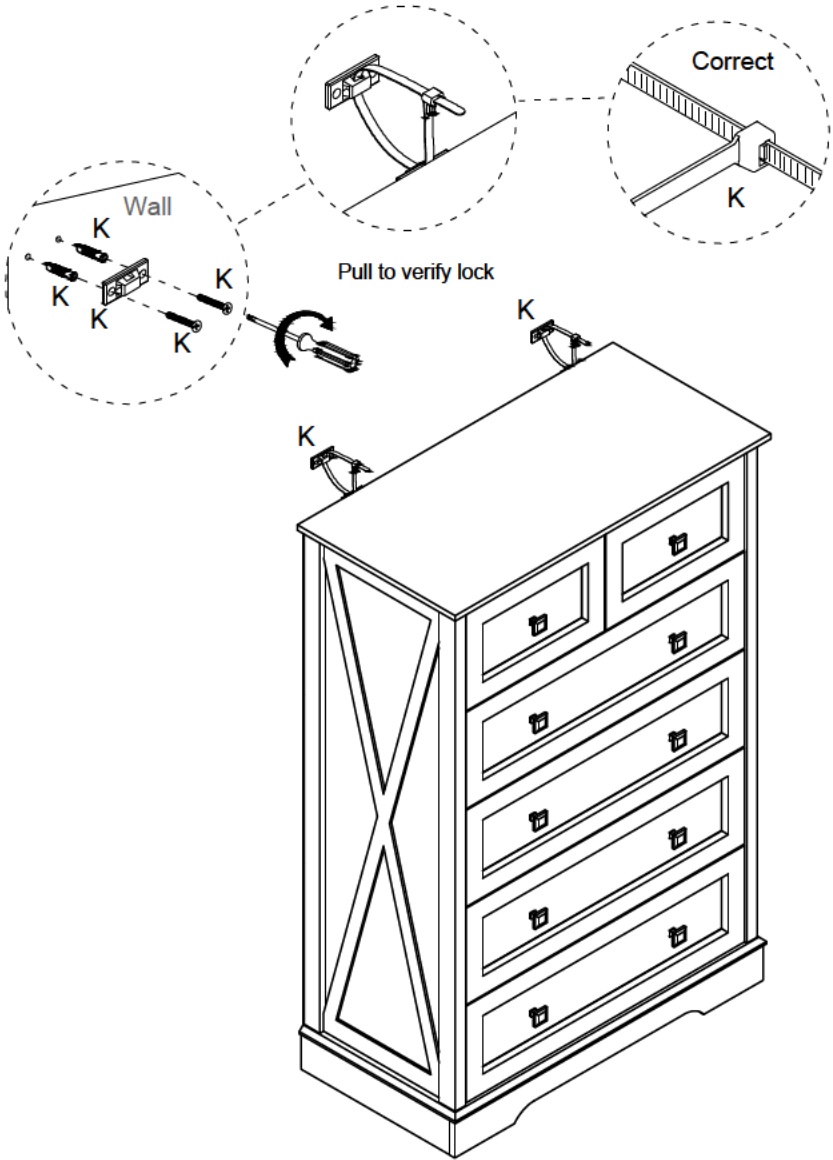
E	16		I		DL	4		DR	4	
---	----	---	---	---	----	---	--	----	---	---




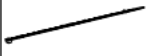


**When you put the drawer, please note that the drawer wheels on top of the wheels of the slide, then check whether the drawer is smooth when pulled out. Otherwise, the drawer will not be aligned with other drawers.**



K	2		E	4	
---	---	---	---	---	---



K	2		K	4		K	4		K	2	
---	---	---	---	---	---	---	---	---	---	---	---