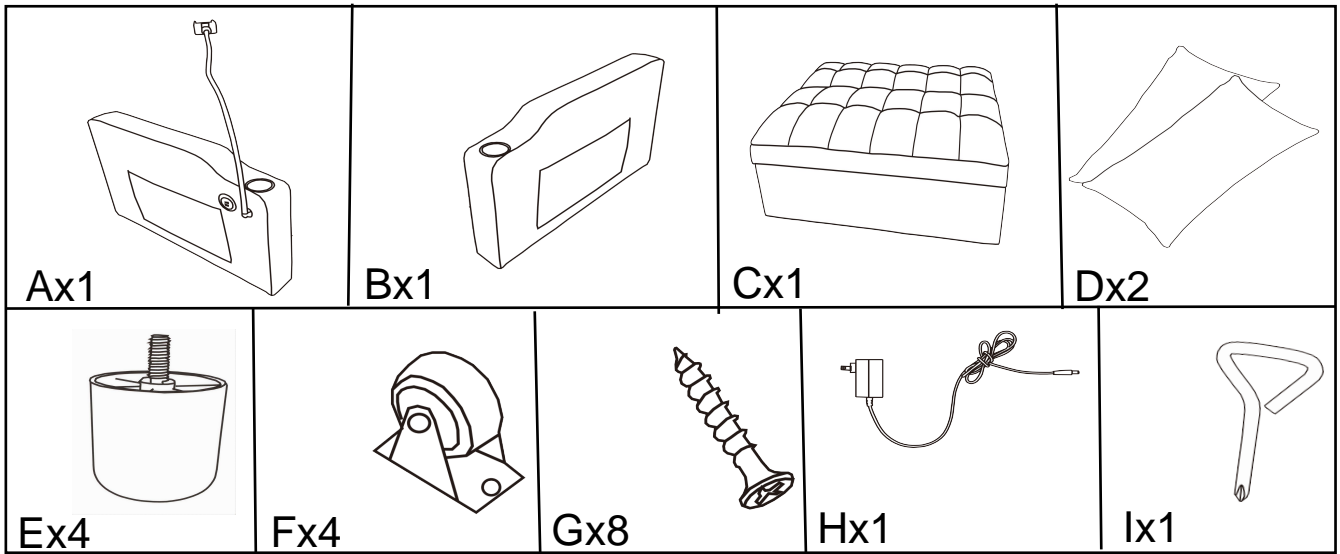
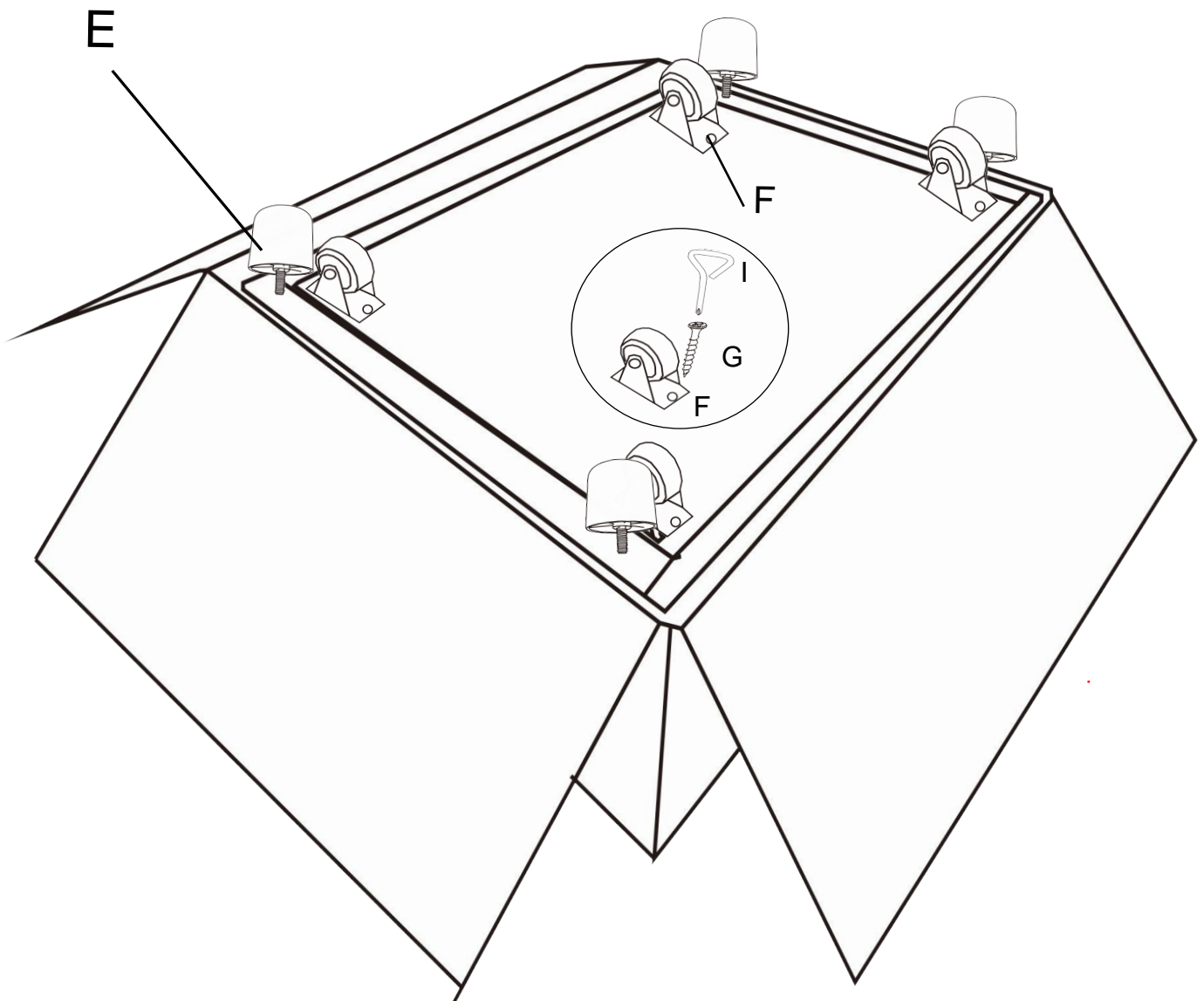


# Assembly instructions

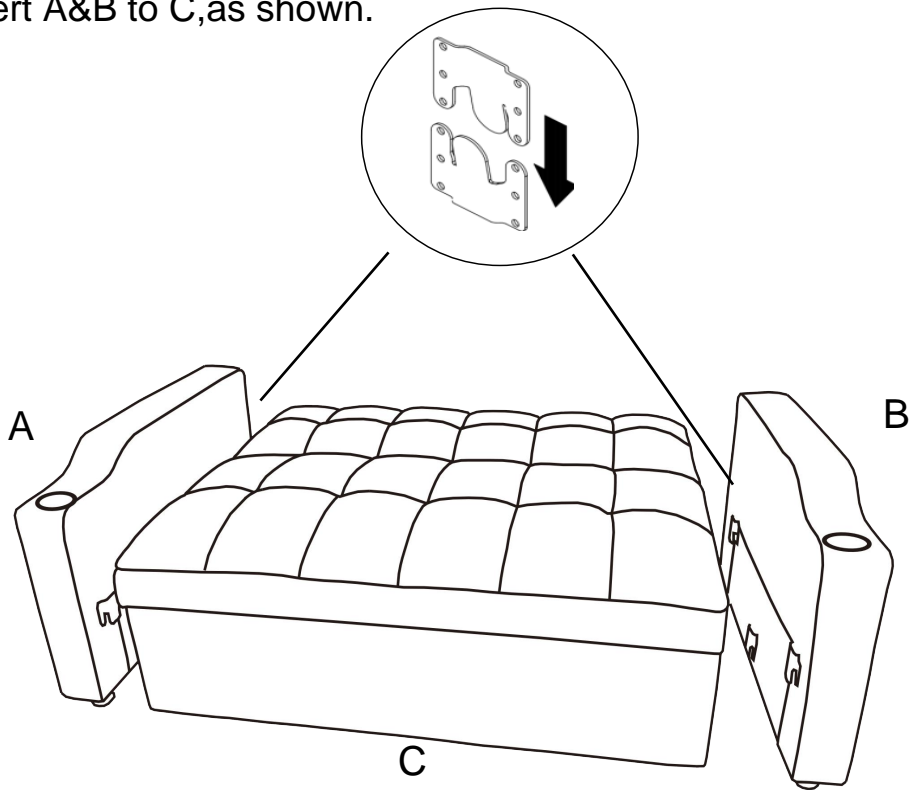
## PARTS



Step1: Open the box, fix the wheel (F) in its position with self tapping screws (G), and then rotate the mounting feet (E) to ensure that all feet are securely installed.



Step 2: Insert A&B to C,as shown.



Step3: Connect the power cord located at the bottom of the seat to the power plug (H)  
After turning on the power, you can use the USB interface.

