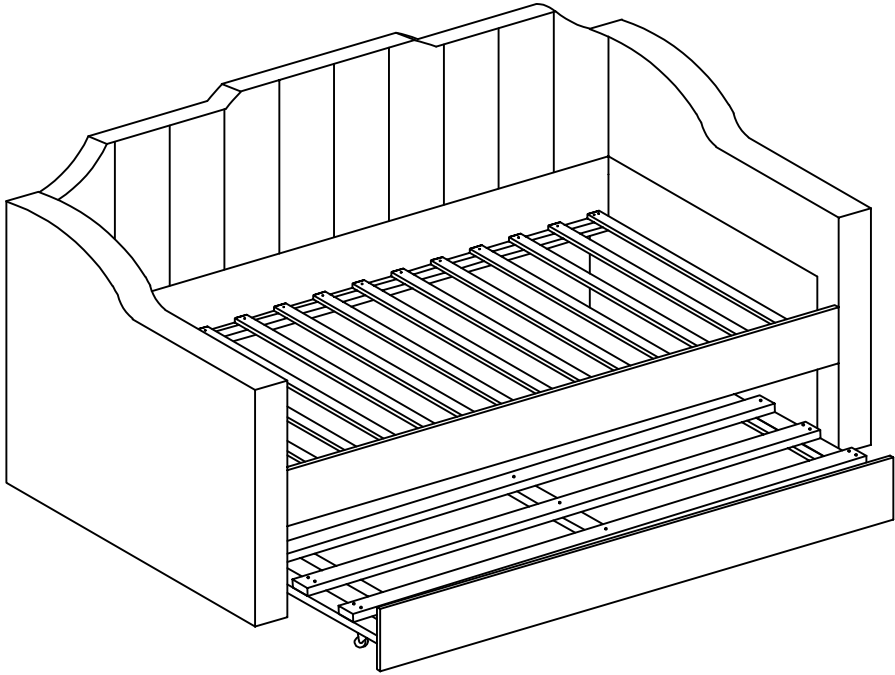


ASSEMBLY INSTRUCTIONS

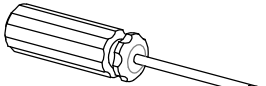


TOOLS REQUIRED



Allen Wrench

(Included)



Phillips Screwdriver

(Not Included)



2 - People Recommended

ASSEMBLY RATING



EASY —————> DIFFICULT

The Assembly Rating is a 5-point system showing the level of effort needed to assemble a specific product.



CHECK BEFORE STARTING

Are you missing anything?

Double-check all parts, hardware and accessories listed are all accounted for.

Check out our Quick Tips!

We recommend reviewing the pre-assembly handouts. Even experts need a refresher now and then!

Should we send any replacements?

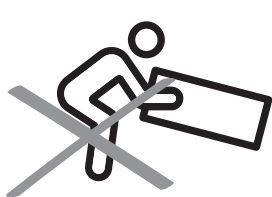
Are there any irregularities or flaws in the parts? We can send replacements!

Prep Time!

Please review the assembly instructions and all diagrams prior to assembling.

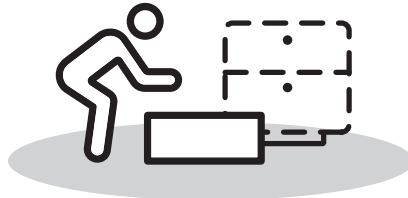
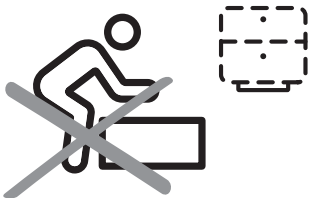
PRE ASSEMBLY INTRODUCTION

We understand building ready-to-assemble furniture can be a challenging experience for some. To help avoid confusion, we have provided some helpful tips that may speed up the process.



Teamwork

ALWAYS have at least two people to help with transporting and assembling the product to avoid potential injury and/or damage.



Suitable Location

Assembling near the area of the intended location is highly recommended.



Sufficient Space

Make sure you have enough space to move around during the assembly.



Avoid Scratches

Use cardboard, blankets or a carpeted area while assembling furniture to prevent to prevent scratches and damages.



Flat Surface

Make sure the furniture rests on a flat and level surface with each leg evenly touching the floor.

ASSEMBLY AND CARE ADVICE



FAILURE TO FOLLOW THE GUIDELINES BELOW MAY RESULT IN INJURY AND/OR PROPERTY DAMAGE.



Position each part correctly and insert screws or bolts into their respective holes.



Use the appropriate hand tools or power tools for assembly. Select steps, such as tightening screws and/or bolts, may require hand tools to avoid causing damage during assembly.



Turn clockwise to tighten and only tighten when step is completed or when instructed to do so.



Save the instructions and store any supplied tools for later maintenance.



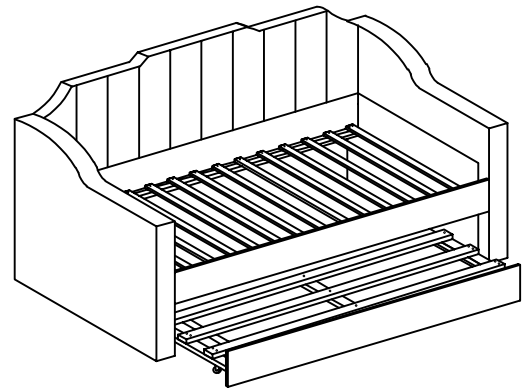
After two weeks, check and tighten any loose hardware and repeat again every six months thereafter.

IT IS THE USER'S RESPONSIBILITY TO MAINTAIN THE FURNITURE. THE HARDWARE MAY LOOSEN OVER TIME AND MAY CAUSE THE FURNITURE TO BE WOBBLY AND UNABLE TO SUPPORT ITS INTENDED WEIGHT CAPACITY. THIS MAY LEAD TO COLLAPSE AND MAY CAUSE SERIOUS INJURY.

DAYBED

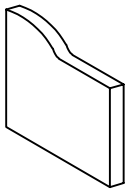


- Please keep instructions for future reference.
- Check the quantity and irregularity of parts and hardware before you start.



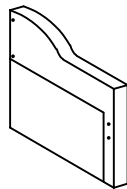
PARTS

#1 x 1pc



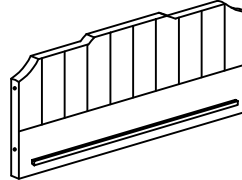
Arm

#2 x 1pc



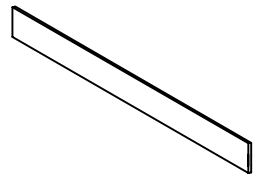
Arm

#3 x 1pc



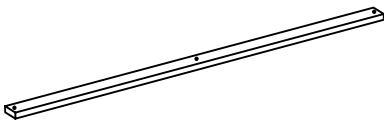
Back Rest

#4 x 1pc



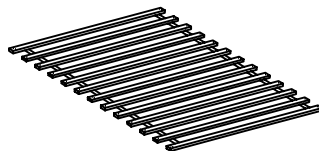
Front Side Rail

#5 x 3pcs



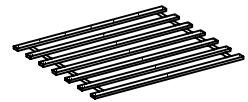
Center Slat
997 x 45 x 18mm

#6 x 13pcs



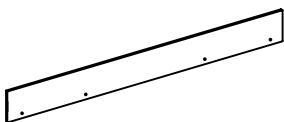
Bed Slat
997 x 45 x 18mm

#7 x 7pcs



Bed Slat
1898 x 45 x 18mm

#8 x 1pc



Trundle Front
Panel

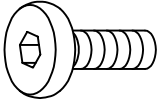
#9 x 2pcs



Trundle Front
Panel Support Rail
760 x 30 x 30mm

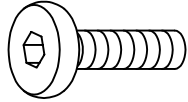
HARDWARE

#A x 4pcs



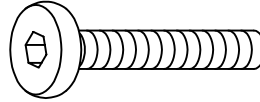
JCBB M8x20mm

#B x 17pcs



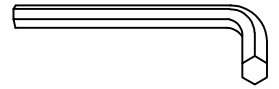
JCBC M6x35mm

#C x 4pcs



JCBC M6x50mm

#D x 1pc



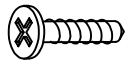
Allen Wrench
M4 x 65mm

#E x 1pc



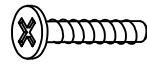
Allen Wrench
M5 x 70mm

#F x 24pcs



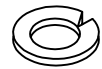
CSK Screw 16mm

#G x 52pcs



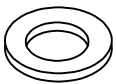
CSK Screw 32mm

#H x 21pcs



M6 Spring Washer

#I x 21pcs

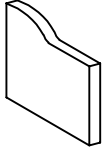
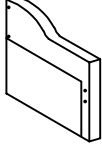
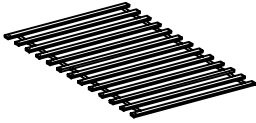
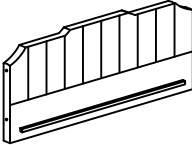


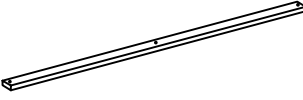




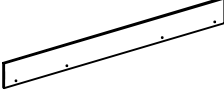



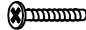





M6 Flat Washer

#J x 6pcs



Roller

Designation	Part		Hardware
Arm	#1		
Arm	#2		
Bed Slat	#6		
Back Rest	#3		
Front Side Rail	#4		 #A x 4pcs
Center Slat	#5		 #B x 17pcs
Bed Slat	#7		 #C x 4pcs
			 #D x 1pc
Trundle Front Panel	#8		 #E x 1pc
			 #F x 24pcs
Trundle Front Panel Support Rail	#9		 #G x 52pcs
			 #H x 21pcs
			 #I x 21pcs
			 #J x 6pcs

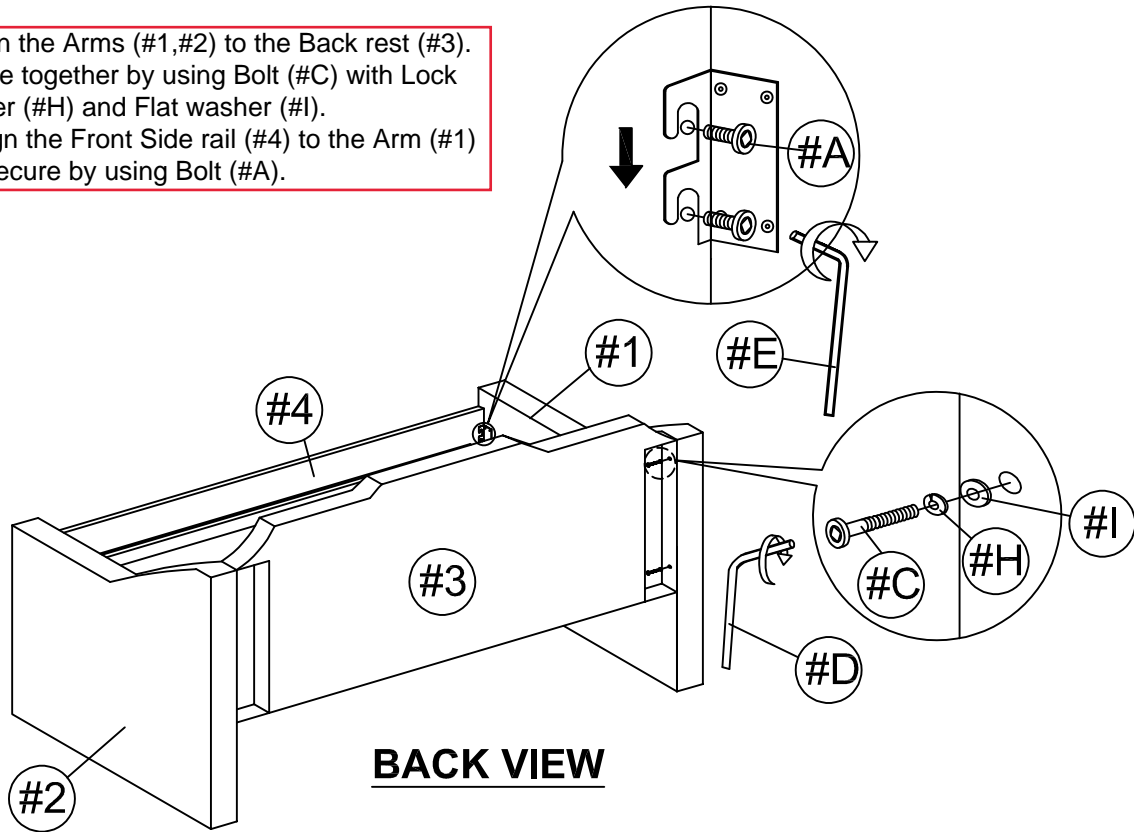
ASSEMBLY INSTRUCTIONS

1

- Part #1 x1pc
- Part #2 x1pc
- Part #3 x1pc
- Part #4 x1pc
- Hardware #A x4pcs
- Hardware #C x4pcs
- Hardware #D x1pc
- Hardware #E x1pc
- Hardware #H x4pcs
- Hardware #I x4pcs

I. Align the Arms (#1,#2) to the Back rest (#3).
Secure together by using Bolt (#C) with Lock washer (#H) and Flat washer (#I).

II. Align the Front Side rail (#4) to the Arm (#1) and secure by using Bolt (#A).

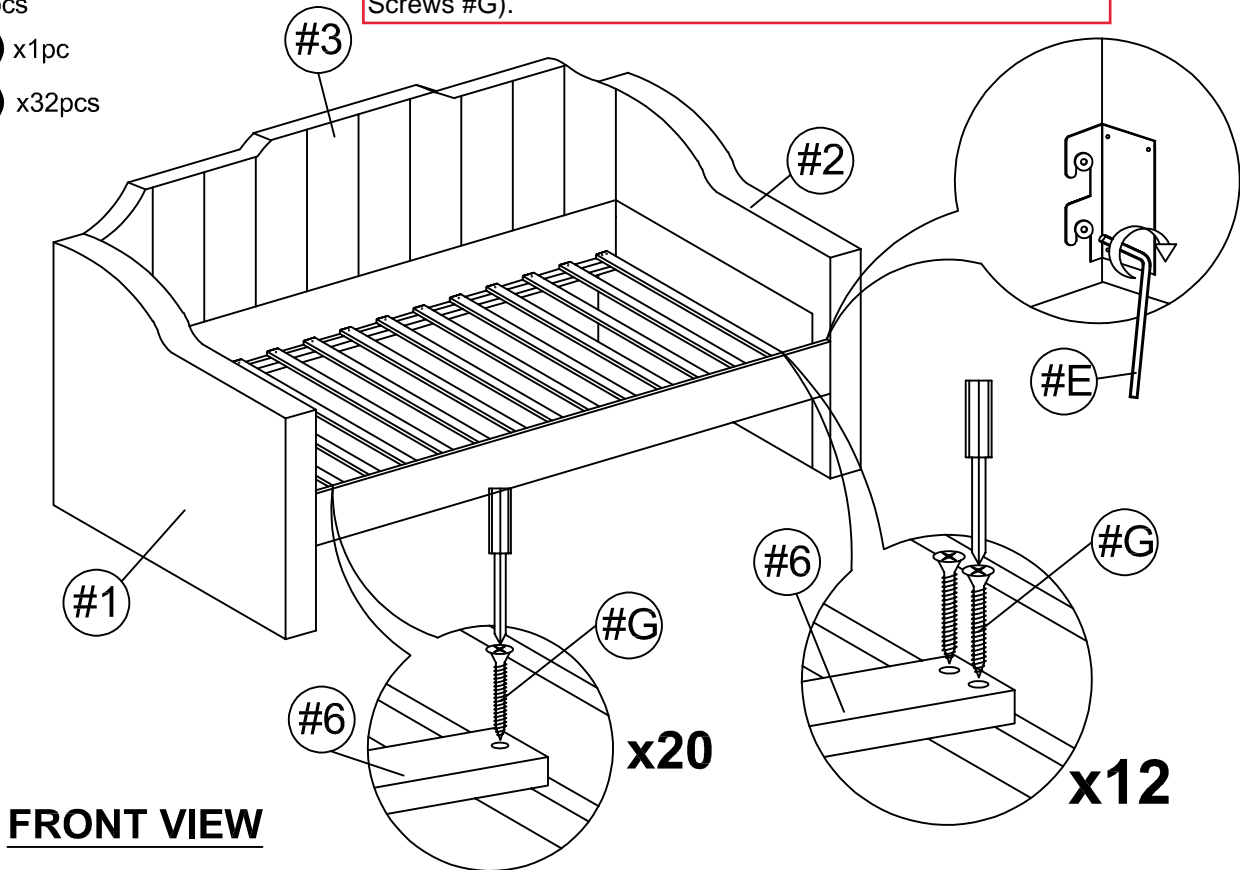


2

- Part #6 x13pcs
- Hardware #E x1pc
- Hardware #G x32pcs

I. Align the Front Side rail (#4) to the Arm (#2) and secure by using Bolt (#A).

II. Place the Bed Slats evenly over and secure by using Screws #G.



ASSEMBLY INSTRUCTIONS

3

Part #5 x3pcs

Part #7 x7pcs

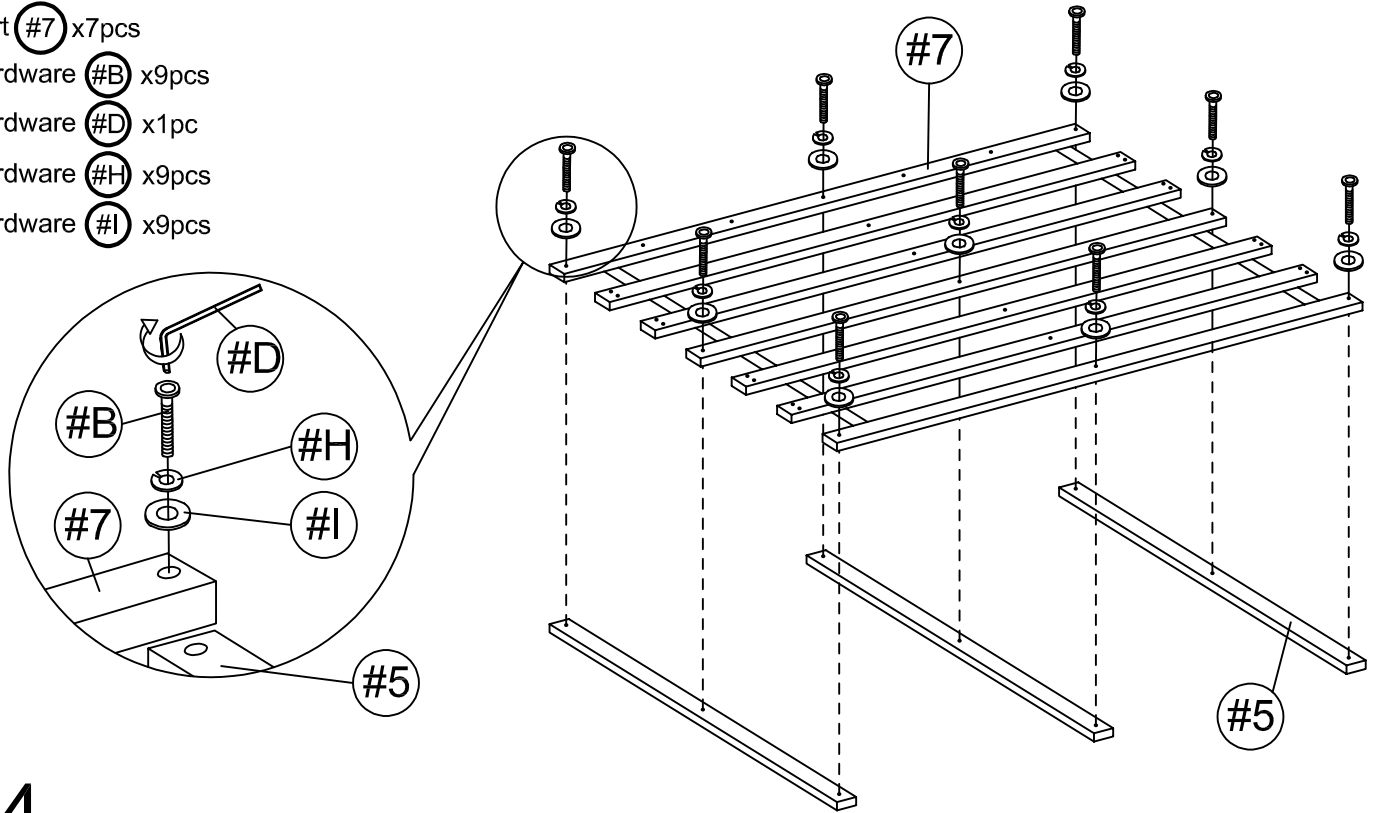
Hardware #B x9pcs

Hardware #D x1pc

Hardware #H x9pcs

Hardware #I x9pcs

Lay the Center Slats (#5) and spread the Bed Slats (#7) over. Align the holes and Secure by using Bolts (#B) with Lock washer (#H) and Flat washer (#I) As shown in the diagram.

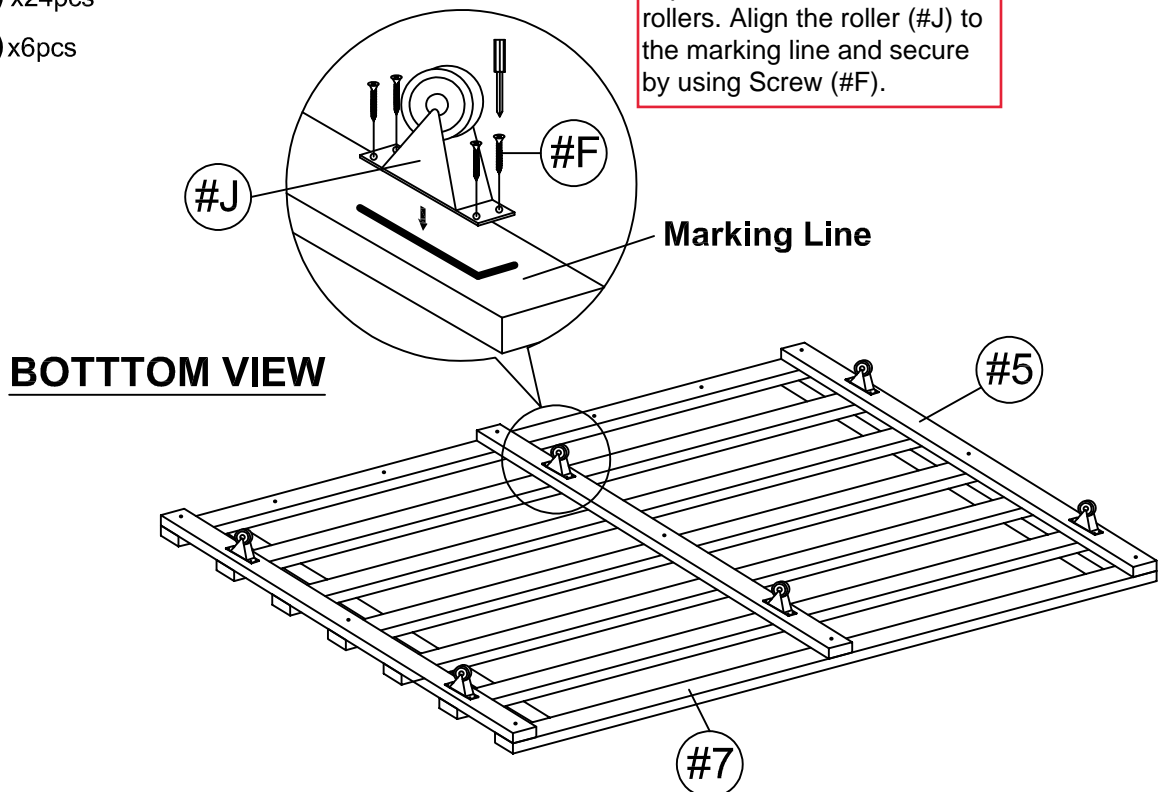


4

Hardware #F x24pcs

Hardware #J x6pcs

Flip the slats to attach the rollers. Align the roller (#J) to the marking line and secure by using Screw (#F).

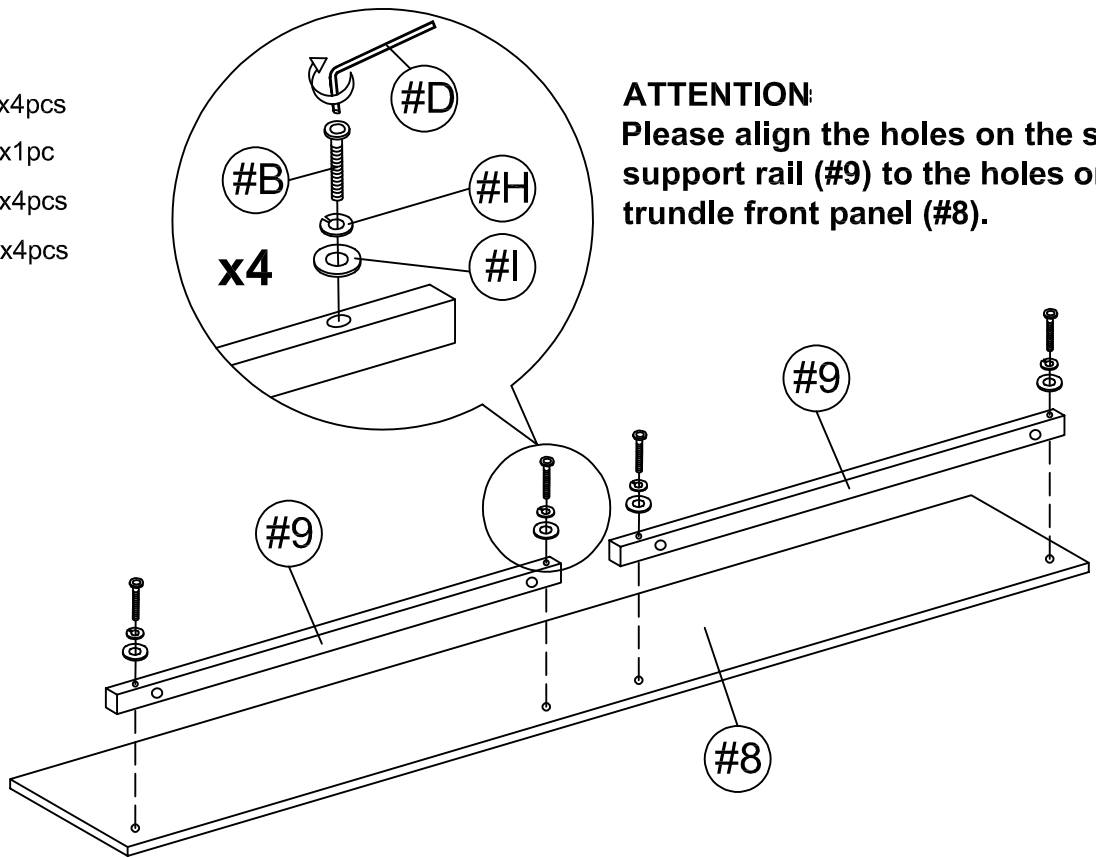


ASSEMBLY INSTRUCTIONS

5

Attach the Trundle front panel support rail (#9) to the Trundle Front panel (#8) by using Bolt (#B) with Lock washer (#H) and Flat washer (#I).

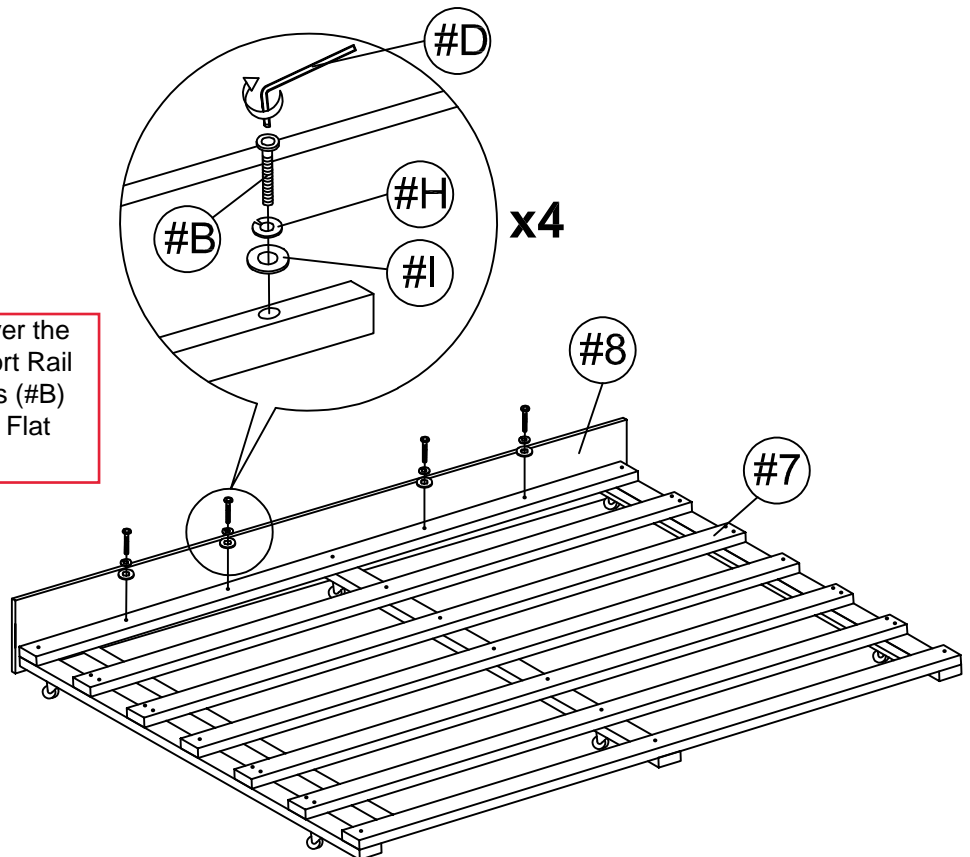
- Part (#8) x1pc
- Part (#9) x2pcs
- Hardware (#B) x4pcs
- Hardware (#D) x1pc
- Hardware (#H) x4pcs
- Hardware (#I) x4pcs



6

- Hardware (#B) x4pcs
- Hardware (#D) x1pc
- Hardware (#H) x4pcs
- Hardware (#I) x4pcs

Place the Bed slats (#7) over the Trundle Front Panel Support Rail (#9) and secure using Bolts (#B) with Lock washer (#H) and Flat washer (#I).

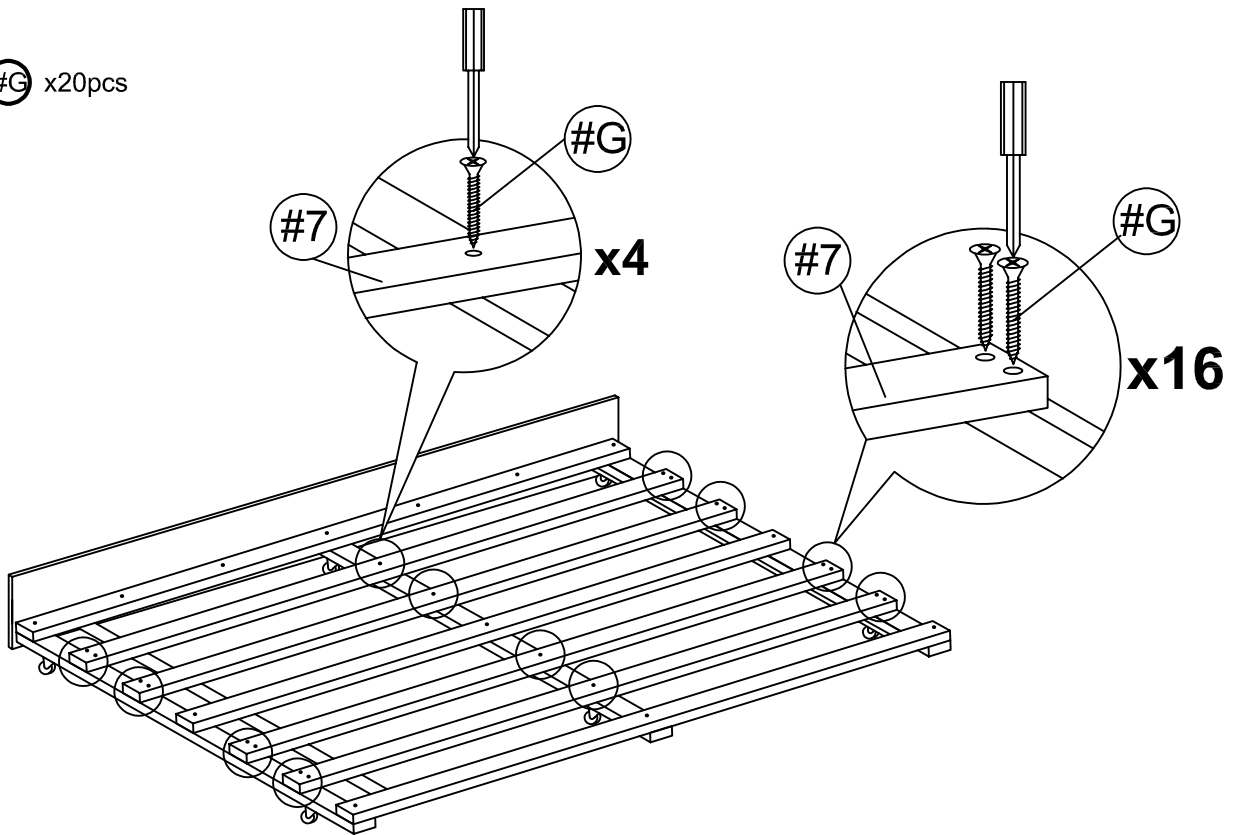


ASSEMBLY INSTRUCTIONS

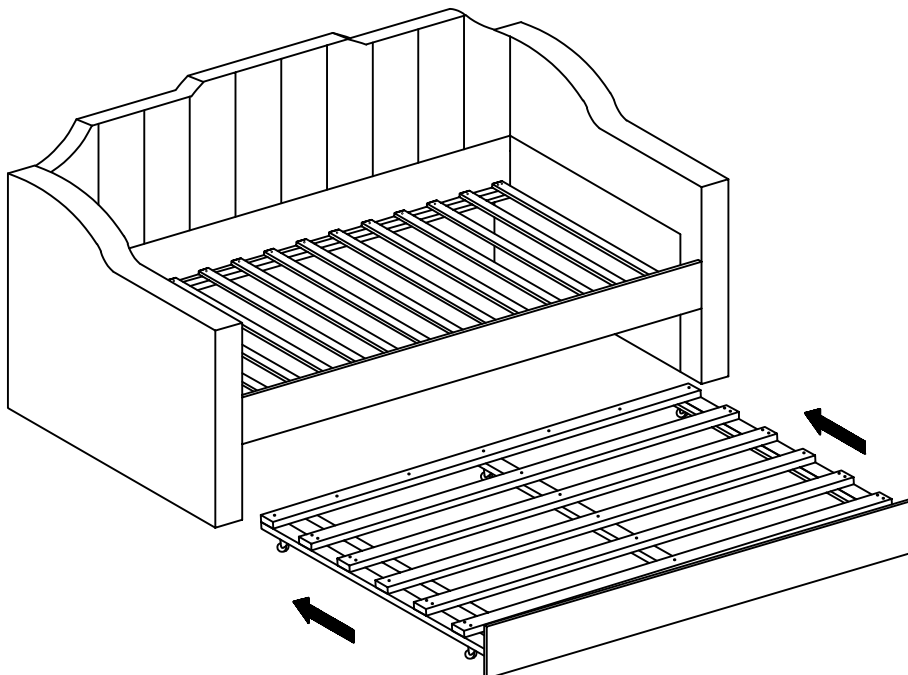
7

Secure the rest of the Slats by using Screw (#G).

Hardware (#G) x20pcs



8



ASSEMBLY COMPLETED



Please ensure the furniture rests on an even and flat surface. If the product wobbles or feels loose, double-check all bolts and/or screws are properly tightened and secured.



Keep this handy!

Please retain this instruction manual and any order-related information for future reference.



Lift, don't drag!

To avoid damage to product please always LIFT the product when transporting or adjusting the placement.