

# Installation & Assembly

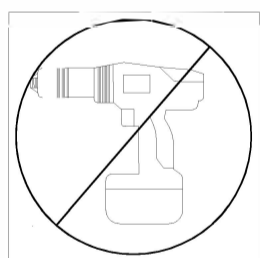


Thank you for purchasing this product. Please read these instructions fully before starting assembly, then follow the simple step by step guide.

### TOP TIPS BEFORE YOU START

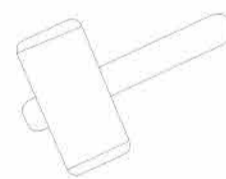
1. Please check that all parts & hardware are present before you start the assembly of your furniture. Do not destroy any of the packaging until you are certain that you have all the necessary parts for assembly.
2. To ensure a smooth installation, we recommend that before you commence each step of the assembly, please identify all the parts required for that step.
3. We recommend that where possible, all items are assembled near to the area in which they will be placed in use, to avoid moving the product unnecessarily once assembled.
4. For the protection of your furniture, particularly items of high gloss finish, we recommend that the product is placed on a protected surface during assembly to prevent any damage.
5. During assembly, please take care not to over-tighten any fittings, as this may damage the product.
6. Keep children and animals away from the work area. Small parts could cause choking if swallowed.

## Tools Required For Assembly

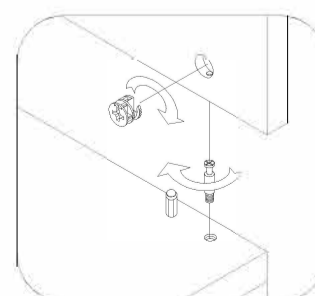
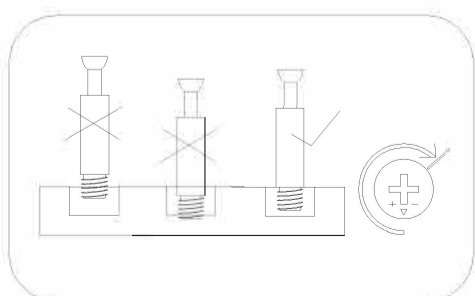
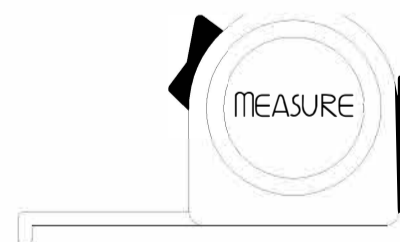


DO NOT USE POWER TOOLS TO ASSEMBLE THIS PRODUCT. USE OF POWER TOOLS WILL INVALIDATE ANY CLAIM AND MAY DAMAGE THIS PRODUCT MAKING IT UNSAFE.

Rubber Hammer

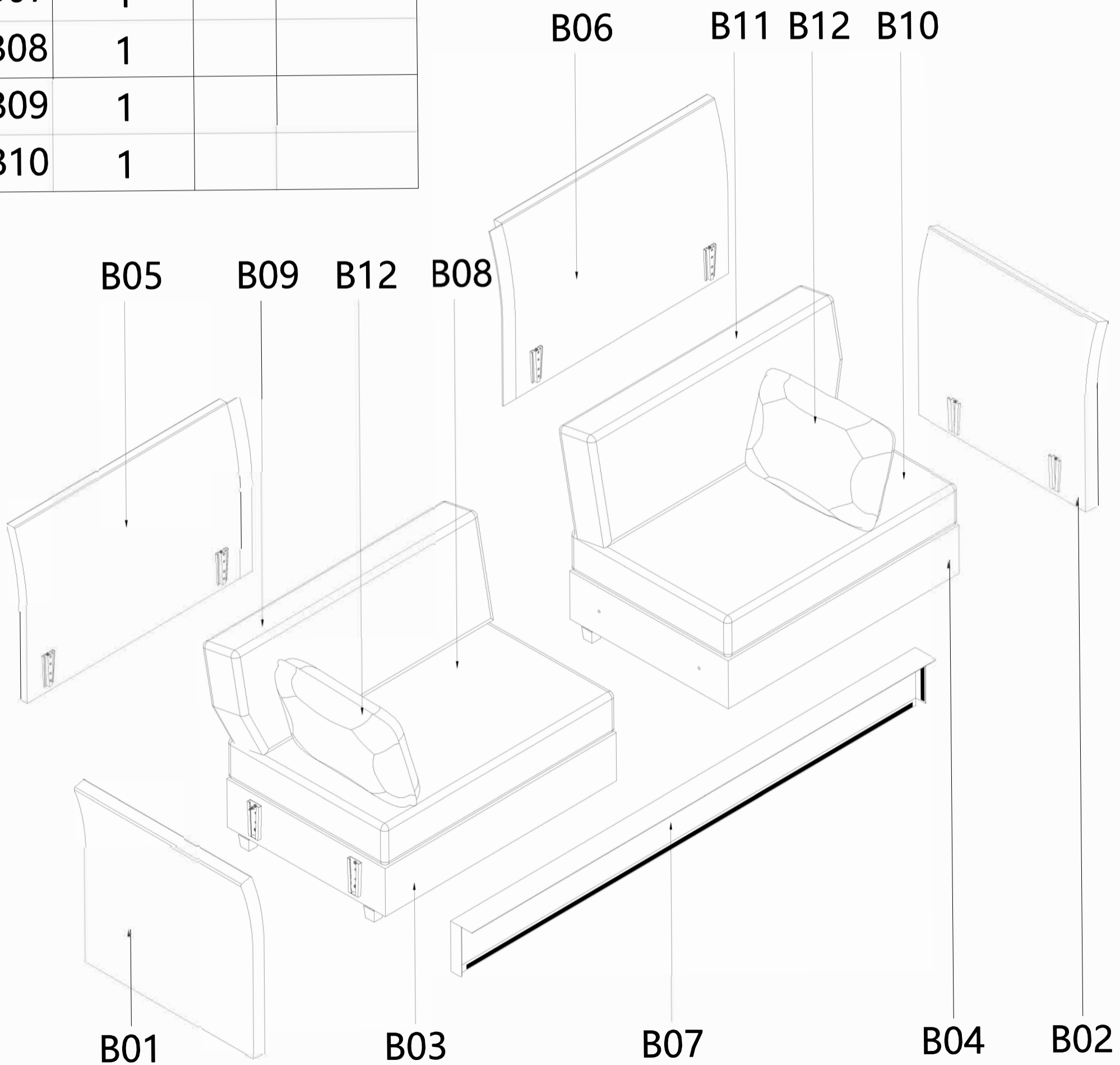


Tape Measure




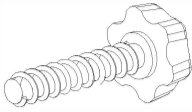
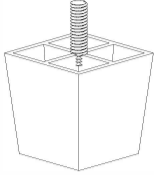

# Parts List

NO	Number	NO	Number
B01	1	B11	1
B02	1	B12	2
B03	1		
B04	1		
B05	1		
B06	1		
B07	1		
B08	1		
B09	1		
B10	1		



# Installation Hardware List

## Armrests

<p>HA0093</p>  <p>Plum blossom handle nut 2PCS</p>	<p>HA0092</p>  <p>Plum blossom handle screw 2PCS</p>	<p>HZ0041</p>  <p>Cylindrical foot 6PCS</p>	<p>HZ0032</p>  <p>shim 6PCS</p>
---	---	--	--

### Step 1

Please note - the width of the front cover of the sofa is in the direction of the wide cover on the top and the narrow cover on the bottom.

B07

B04

B03

HA0093

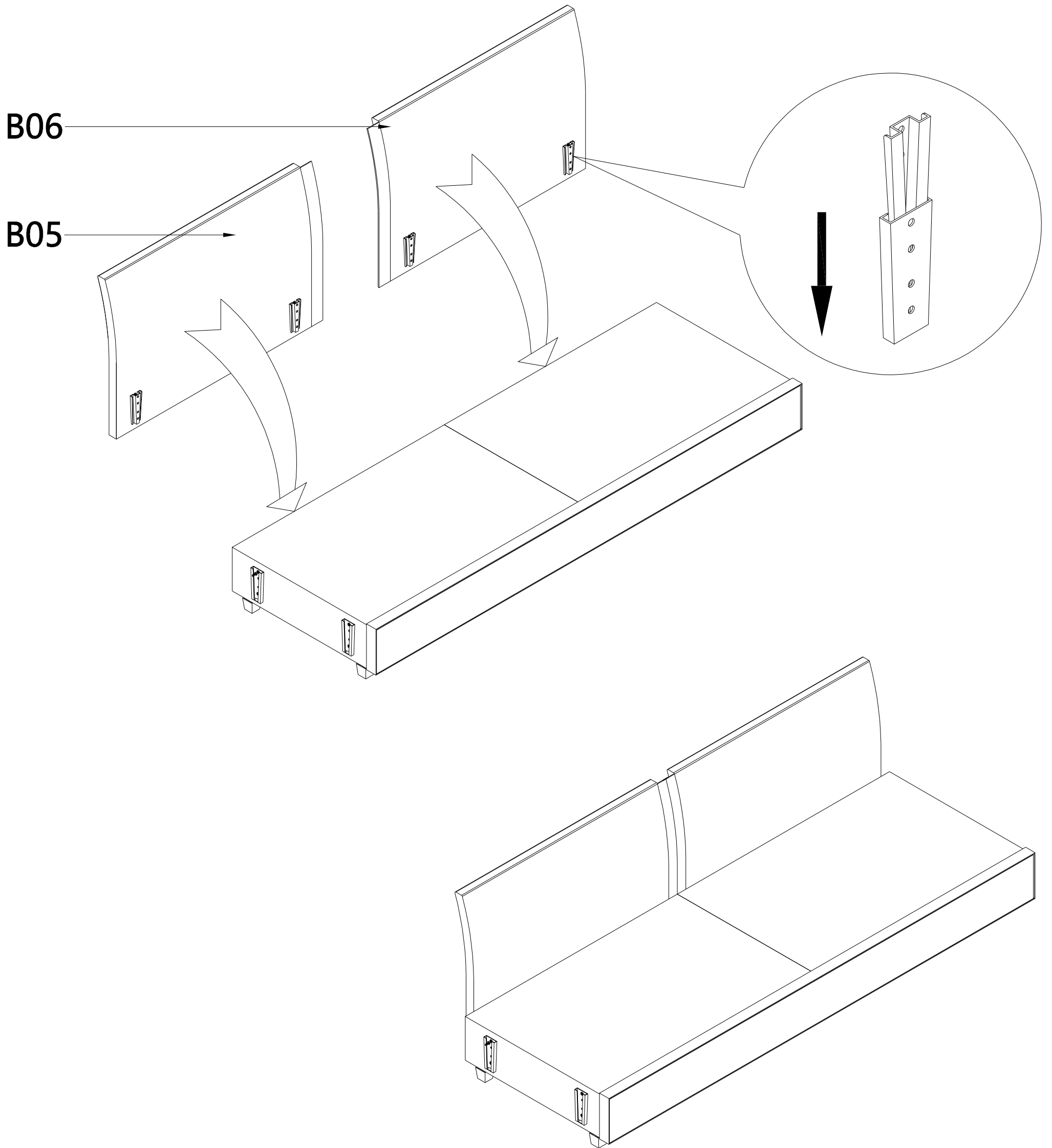
HA0092

HZ0032

HZ0041

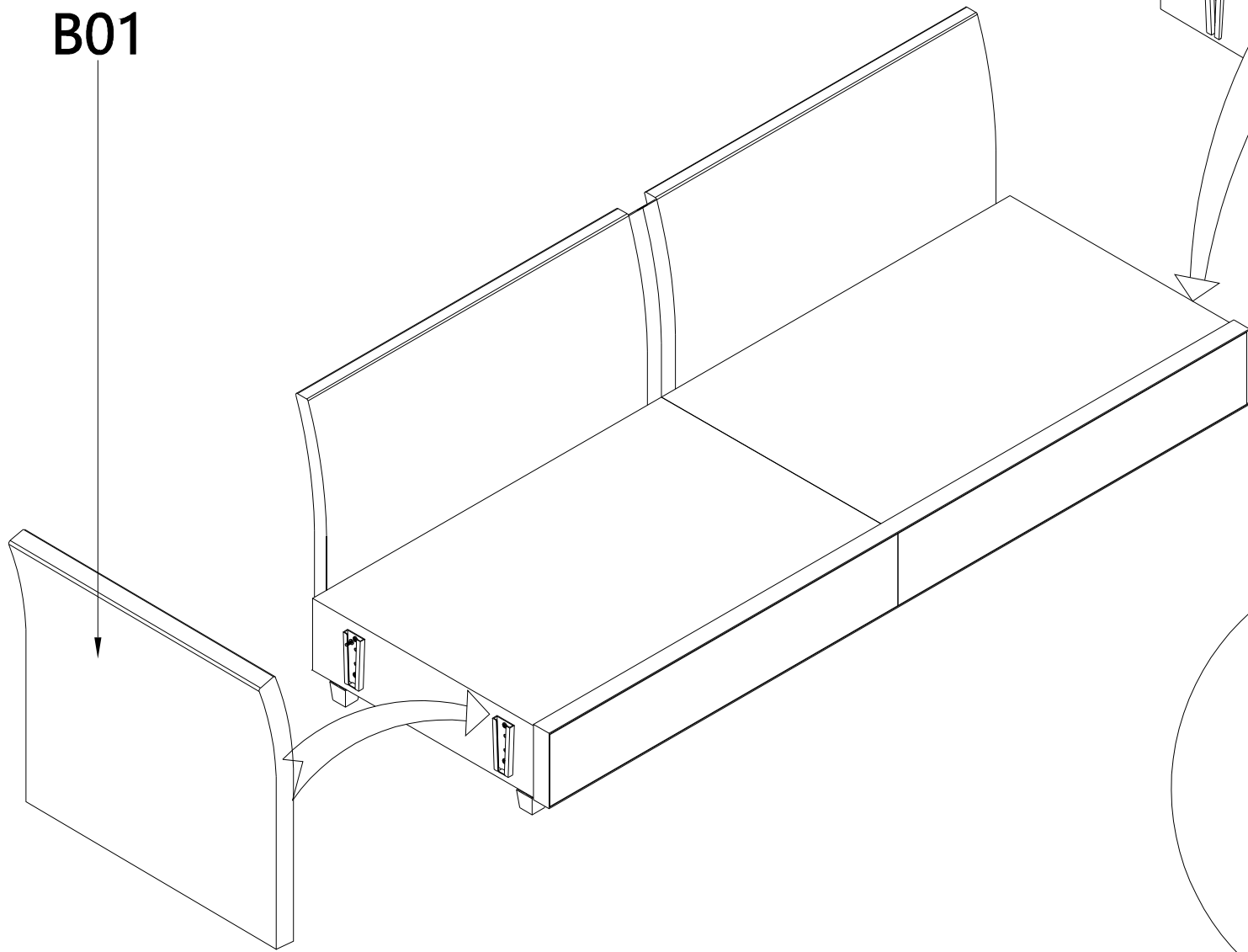
# Step 2

Please note - the width of the front cover of the sofa is in the direction of the wide cover on the top and the narrow cover on the bottom.

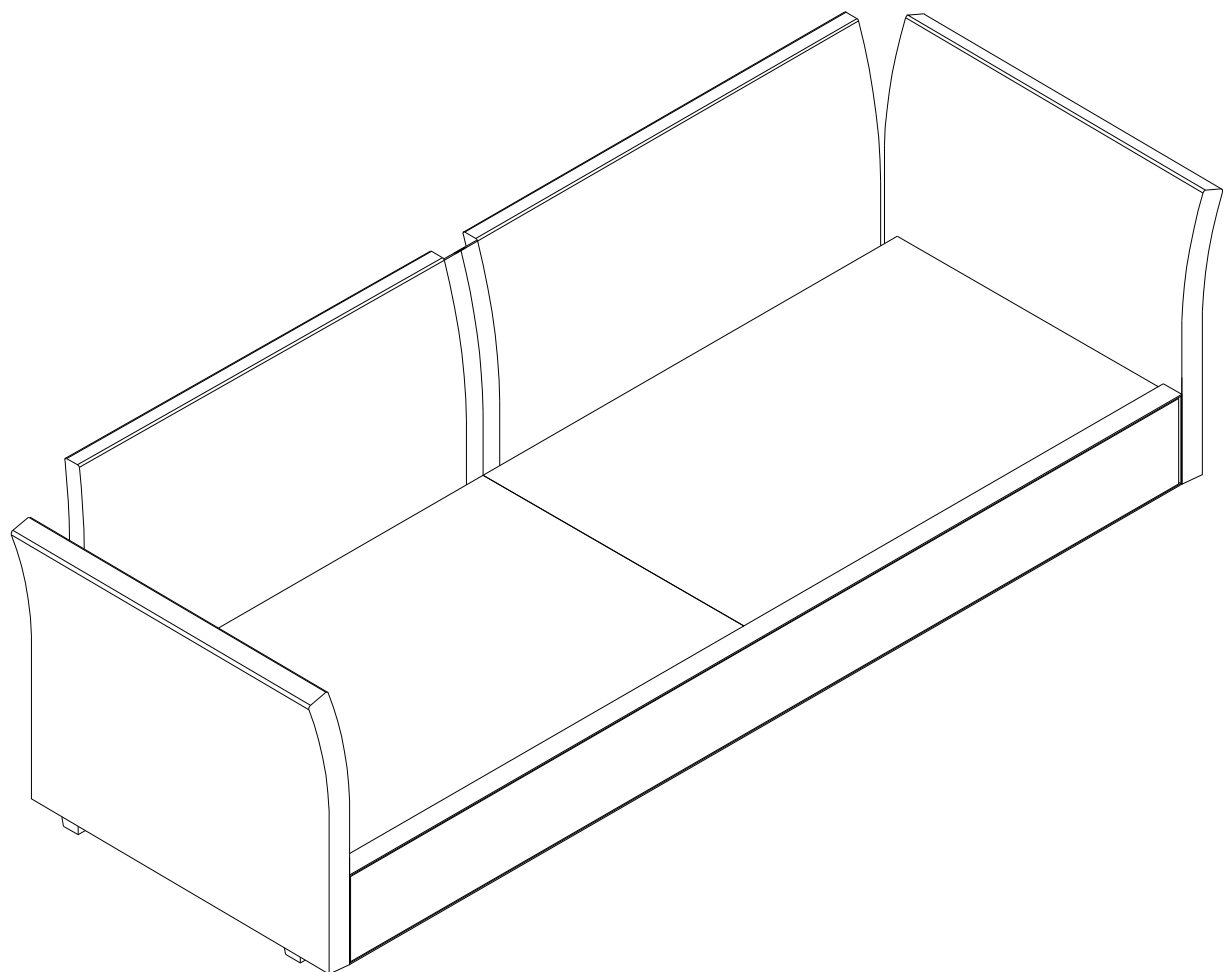
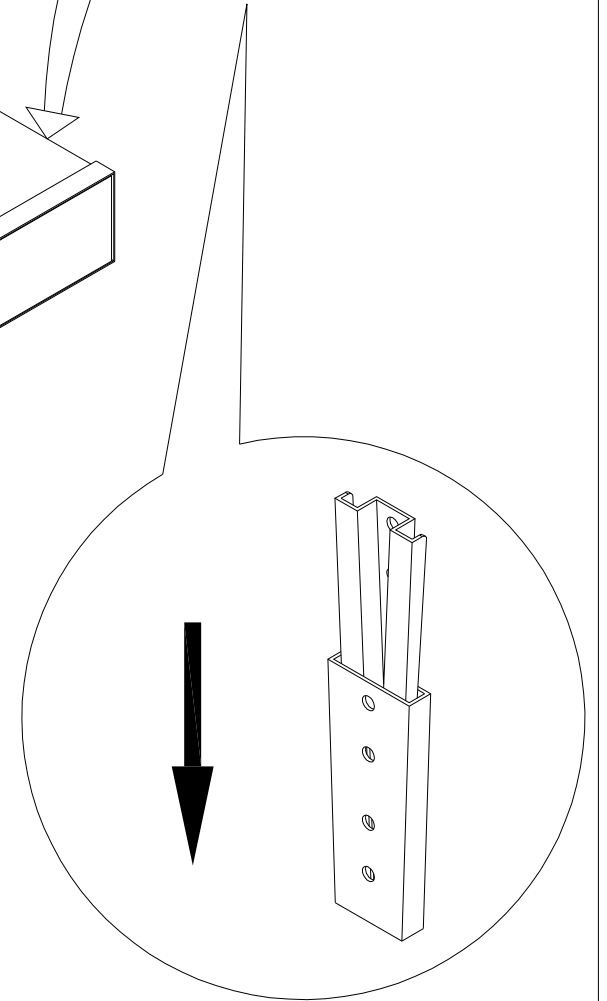
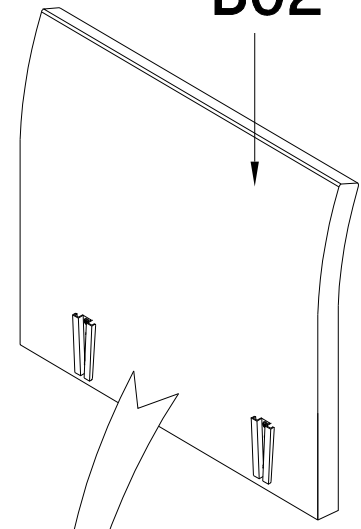


# Step 3

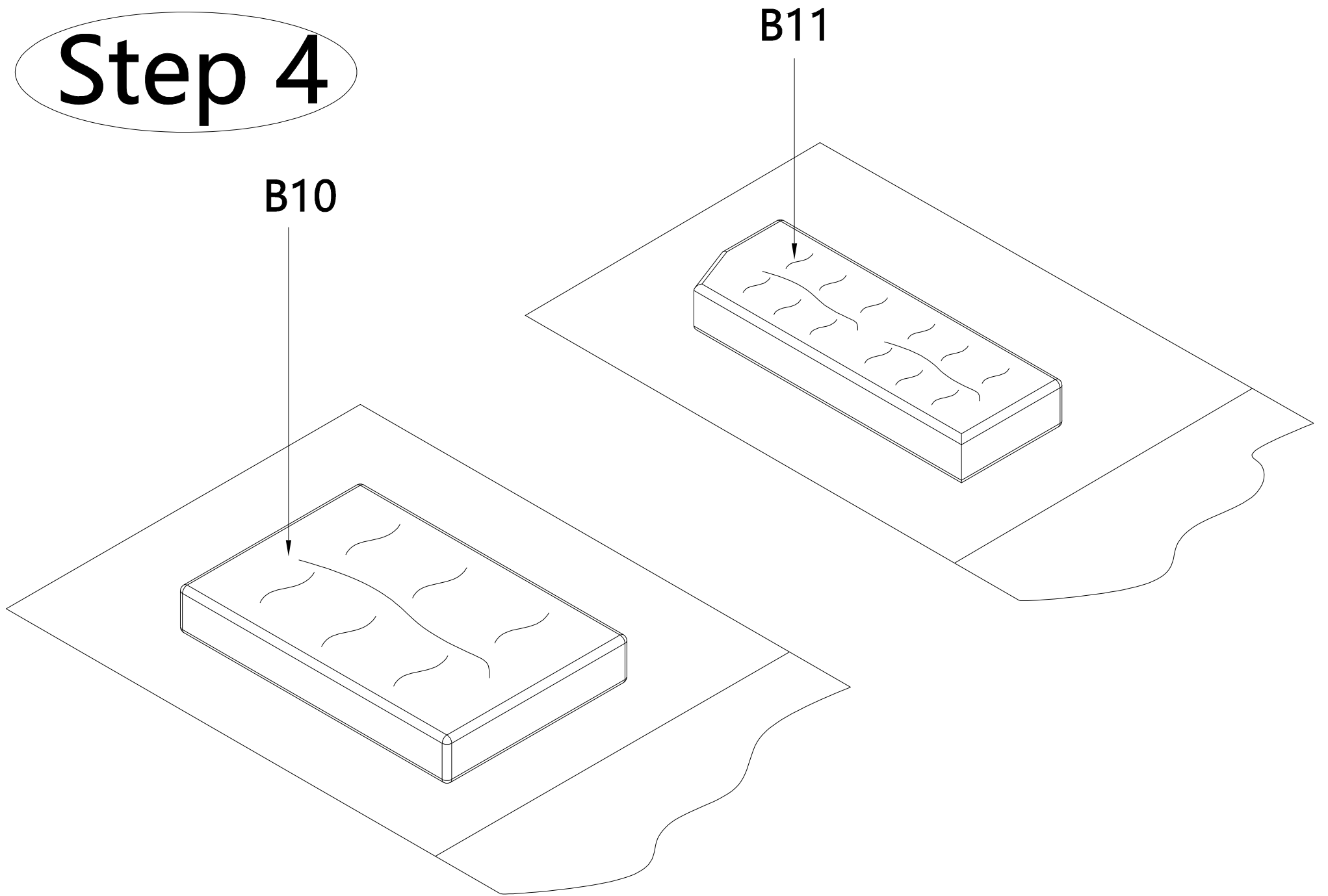
B01



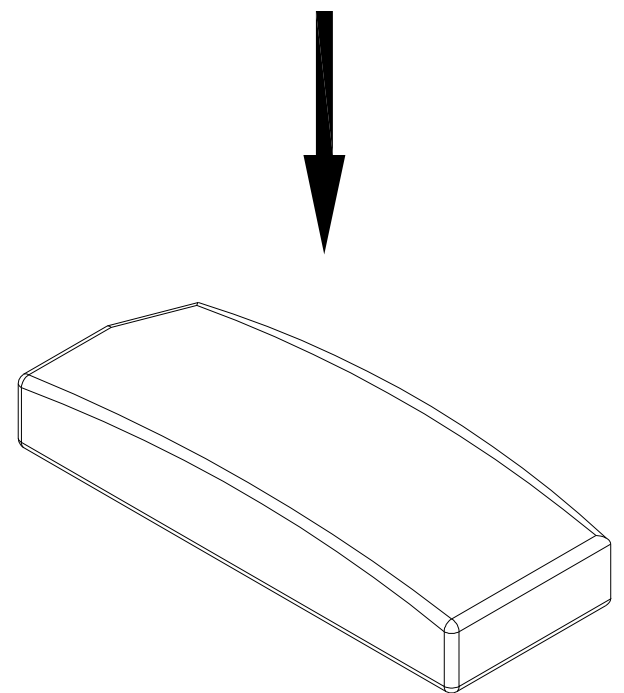
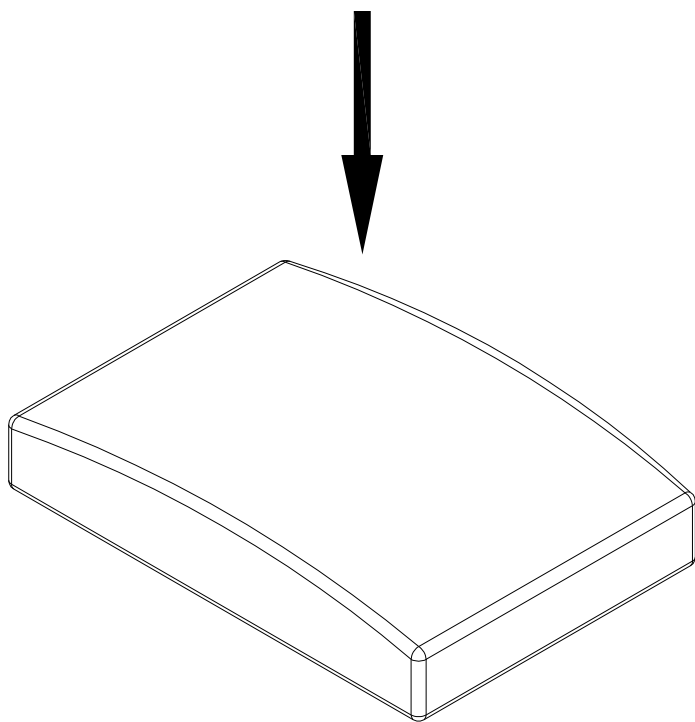
B02



# Step 4

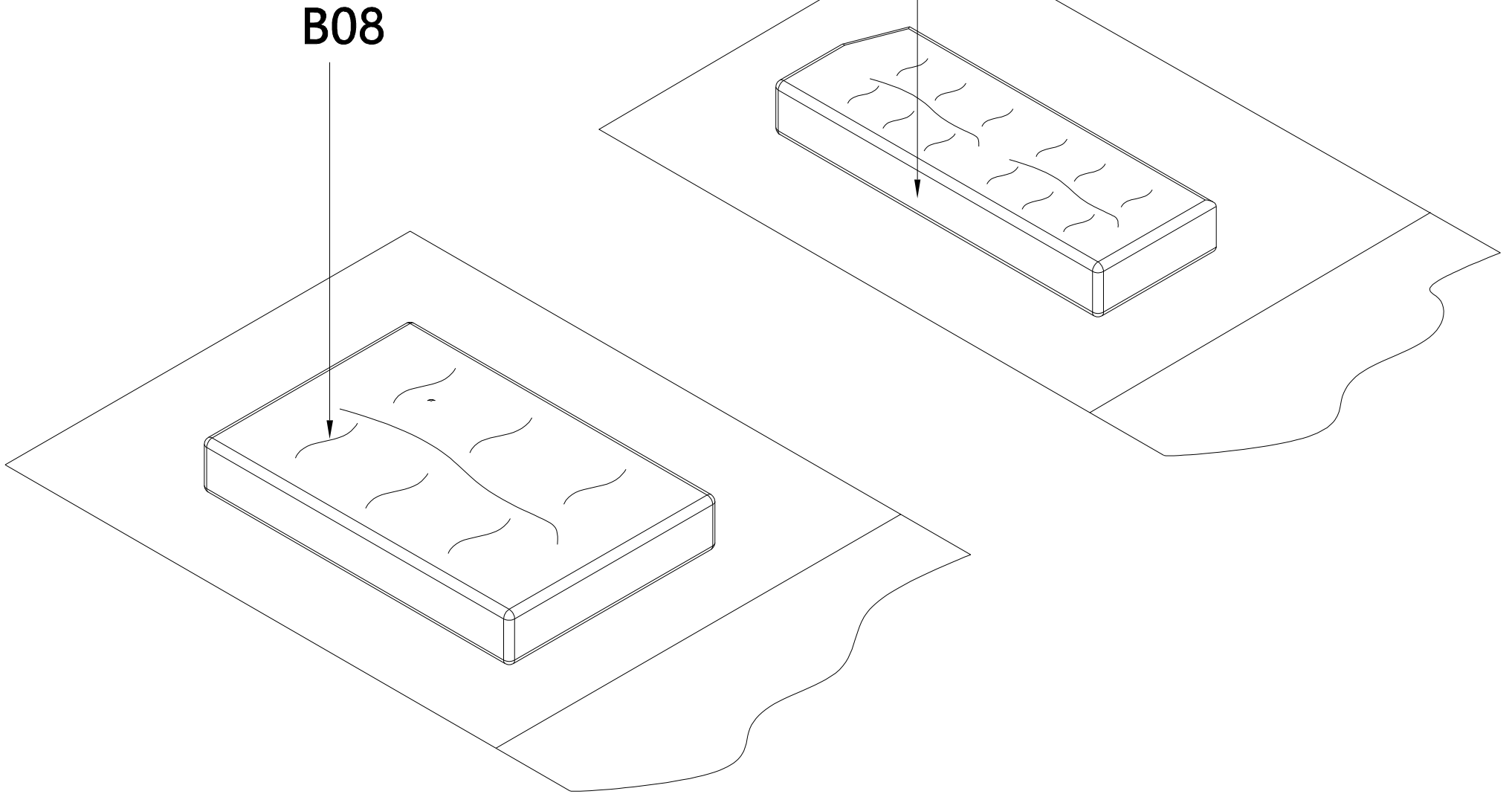


Cut the compression bag to fit the seat cushion and sofa backrest

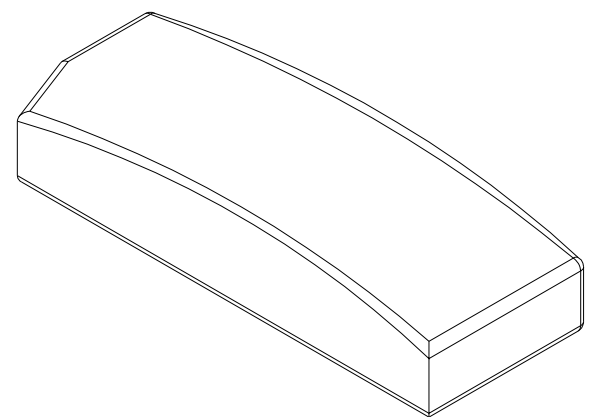
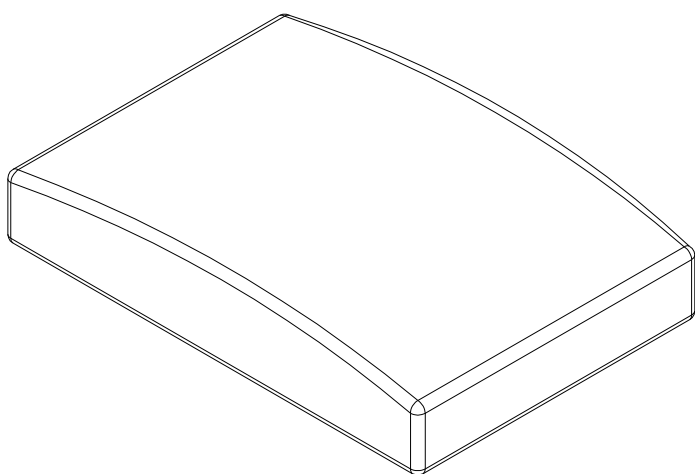


It takes 48 hours for the internal sponge to return to its original state  
(It will take a week for the wrinkles in the compressed fabric to recover)

# Step 5

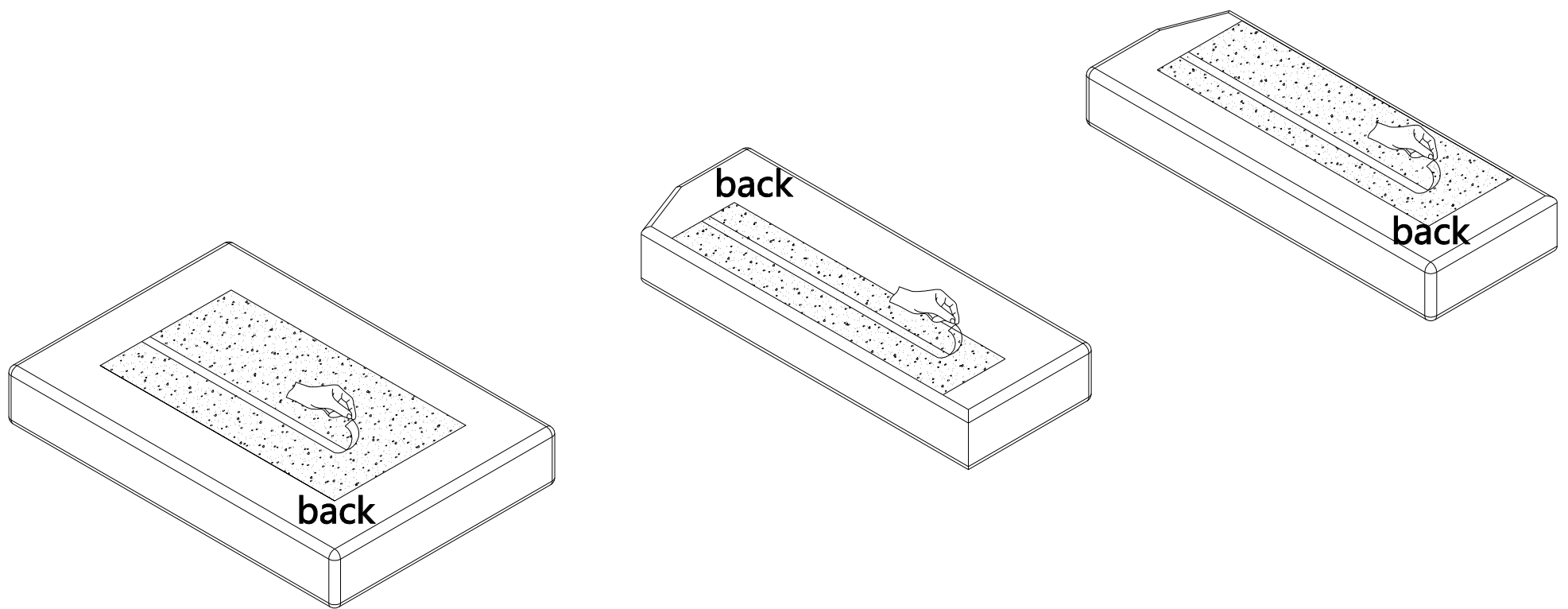


Cut the compression bag to fit the seat cushion and sofa backrest



It takes 48 hours for the internal sponge to return to its original state  
(It will take a week for the wrinkles in the compressed fabric to recover)

# Step 6

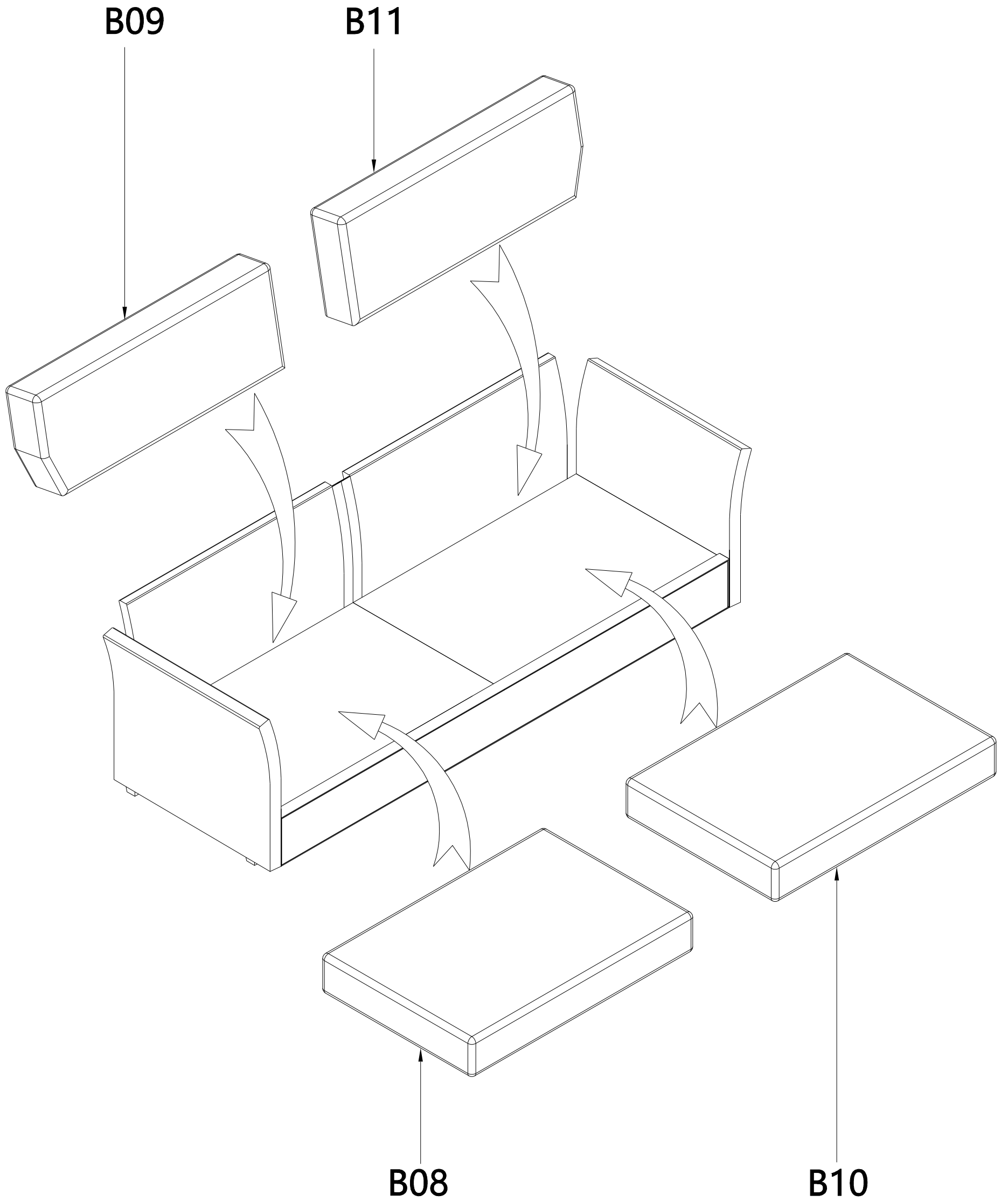


**Attention:**

This product has Velcro on the back of the seat and cushion and one or two strips of cloth on the Velcro.

During the installation process, carefully tear off the cloth strip and throw it away. The cloth strip is only to prevent the accessories from sticking to each other.

# Step 7



# Step 8

