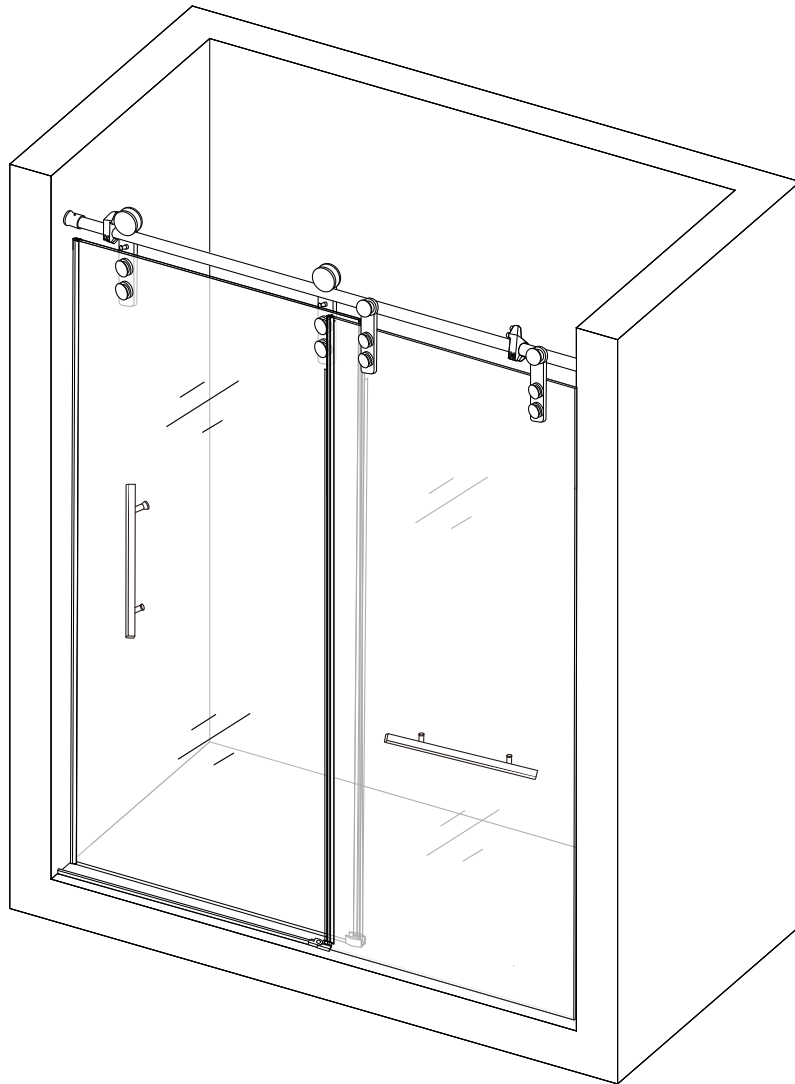


SHOWER DOOR

If you have any questions about the shower door, please feel free to contact us.

Customer Service Email: Service@alaulm.com



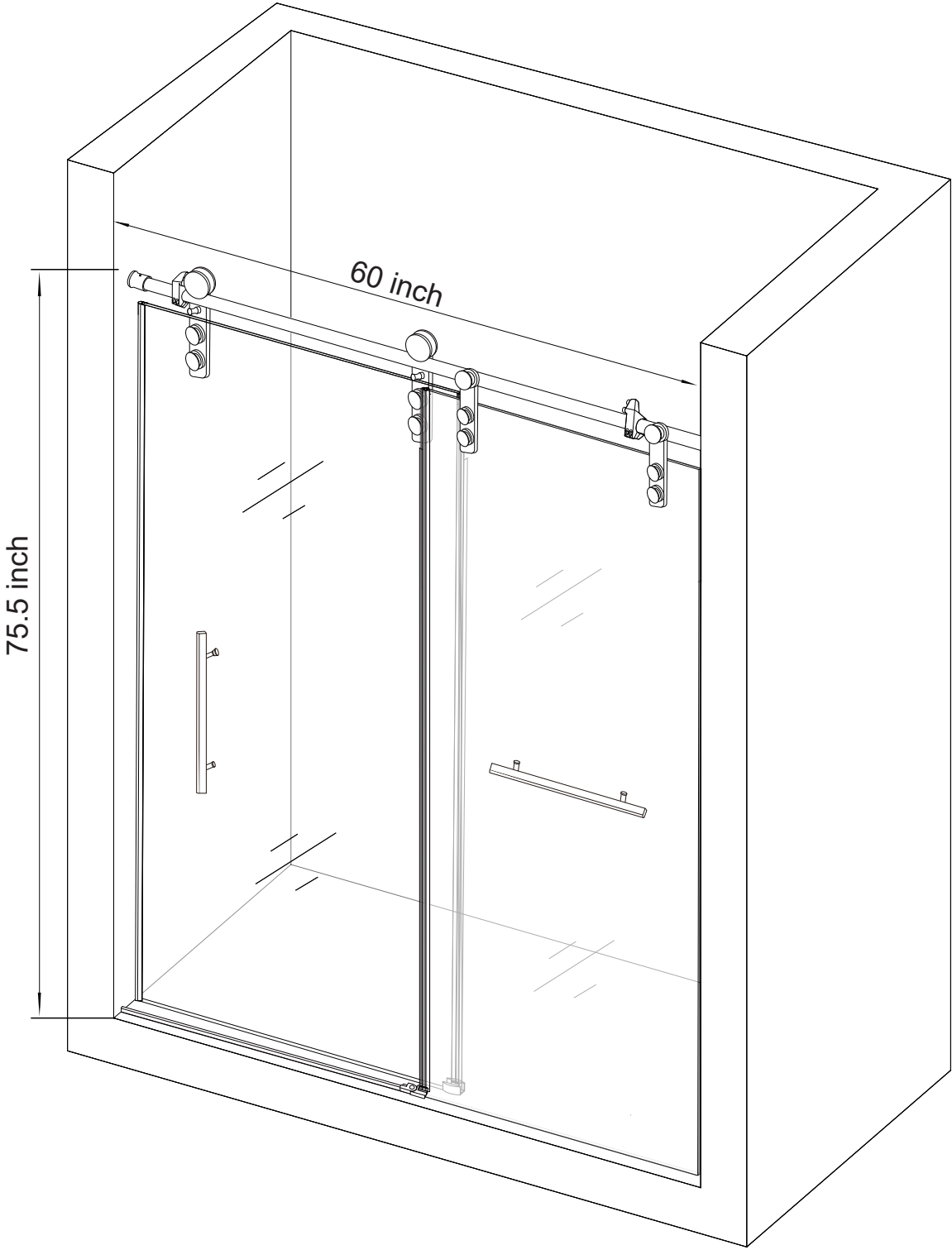
SD6075

IMPORTANT

PLEASE READ BEFORE YOU COMMENCE ASSEMBLY

Follow the guidelines in this user guide to ensure correct assembly and care for this product.

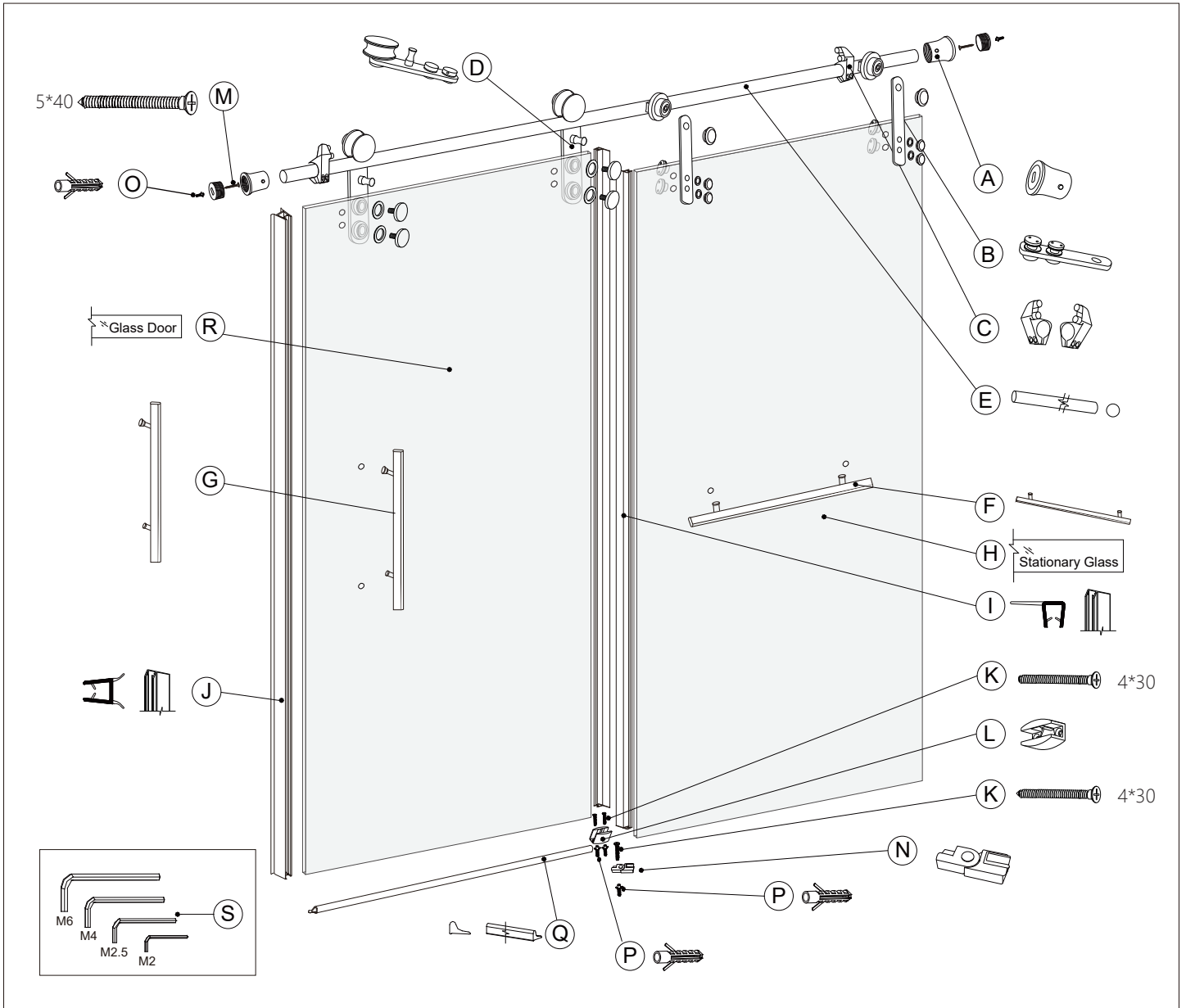
SPECIFICATIONS



Catalog

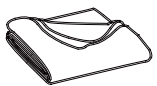
Specifications.....	01
Catalog.....	02
Exploded Views	03
Part List And Extra	04
How to Assemble Shower Door.....	05

EXPLODED VIEWS

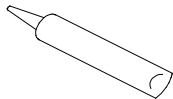


REMOVE THE SOFT PROTECTIVE FILM FROM THE GLASS BEFORE INSTALLATION

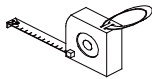
TOOLS REQUIRED



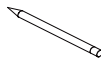
**Soft Cloth
or Blanket**



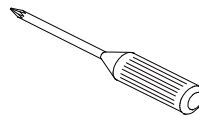
Caulk



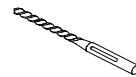
**Tape
Measure**



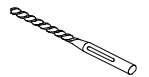
Pencil



**Phillips
Screwdriver**



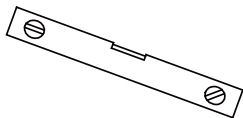
**Drill Bit
(Ø=5/16'')**



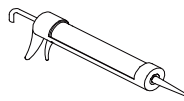
**Drill Bit
(Ø=3/8'')**



Safety Glass



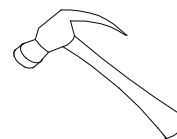
Level



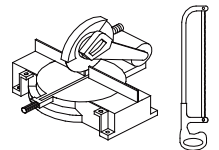
Caulk Gun



Drill




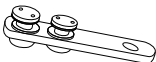

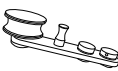



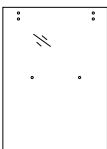
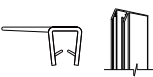
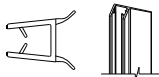



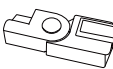


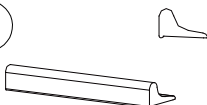


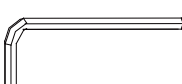







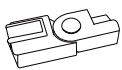
Hammer



**Mitter Saw
or Hacksaw**

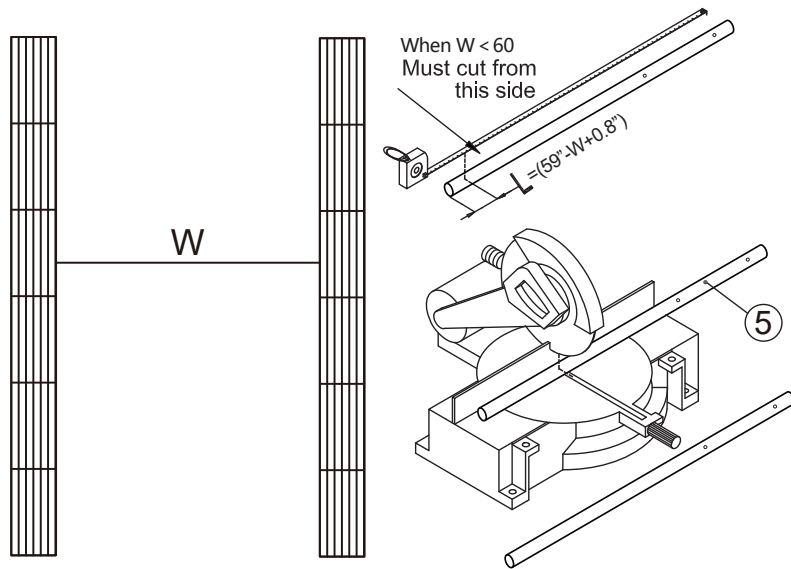
OTHER TOOLS MAY BE REQUIRED

PART LIST

Parts List				
<p>(A)</p>  <p>Guide Rail Bracket</p>	<p>(B)</p>  <p>Glass Bracket</p>	<p>(C)</p>  <p>Stopper</p>	<p>(D)</p>  <p>Rollers</p>	<p>(E)</p>  <p>Upper Guide Rail</p>
2 PCS	2 PCS	2 PCS	2 PCS	1 PC
<p>(F)</p>  <p>Long armrest</p>	<p>(G)</p>  <p>Door Handle</p>	<p>(H)</p>  <p>Stationary glass</p>	<p>(I)</p>  <p>Anti-water strip</p>	<p>(J)</p>  <p>Side anti-water strip</p>
1 PC	1 PC	1 PC	2 PCS	1 PC
<p>(K)</p>  <p>M4x30</p>	<p>(L)</p>  <p>Guide Block</p>	<p>(M)</p>  <p>M5x40</p>	<p>(N)</p>  <p>Right aluminum cover with slot</p>	<p>(O)</p>  <p>35mm Wall Anchor</p>
3 PCS	1 PC	2 PCS	1 PC	2 PCS
<p>(P)</p>  <p>25mm Wall Anchor</p>	<p>(Q)</p>  <p>Anti-Splash Threshold</p>	<p>(R)</p>  <p>Glass Door</p>	<p>(S1)</p>  <p>M6 Allen key</p>	<p>(S2)</p>  <p>M4 Allen key</p>
3 PCS	1 PC	1 PC	1 PC	1 PC
<p>(S3)</p>  <p>M2.5 Allen key</p>	<p>(S4)</p>  <p>M2 Allen key</p>	<p>(T)</p>  <p>Double-ended wrench</p>		
1 PC	1 PC	1 PC		
Extra				
<p>(K)</p>  <p>M4x30</p>	<p>(M)</p>  <p>M5x40</p>	<p>(O)</p>  <p>35mm Wall Anchor</p>	<p>(P)</p>  <p>25mm Wall Anchor</p>	<p>(N1)</p>  <p>Left aluminum cover with slot</p>
1 PC	1 PC	1 PC	1 PC	1 PC

How To Assemble Shower Door

REMOVE THE SOFT PROTECTIVE FILM FROM THE GLASS BEFORE INSTALLATION



Before installation, measure the distance W between the two walls.

The Upper Guide Rail needs to be cut to 0.8 inches less than the " W " measured above.

The cutting standards are as follows:

If W is exactly 60 inches, the 59 inch long Upper Guide Rail in the packaging can be used directly.

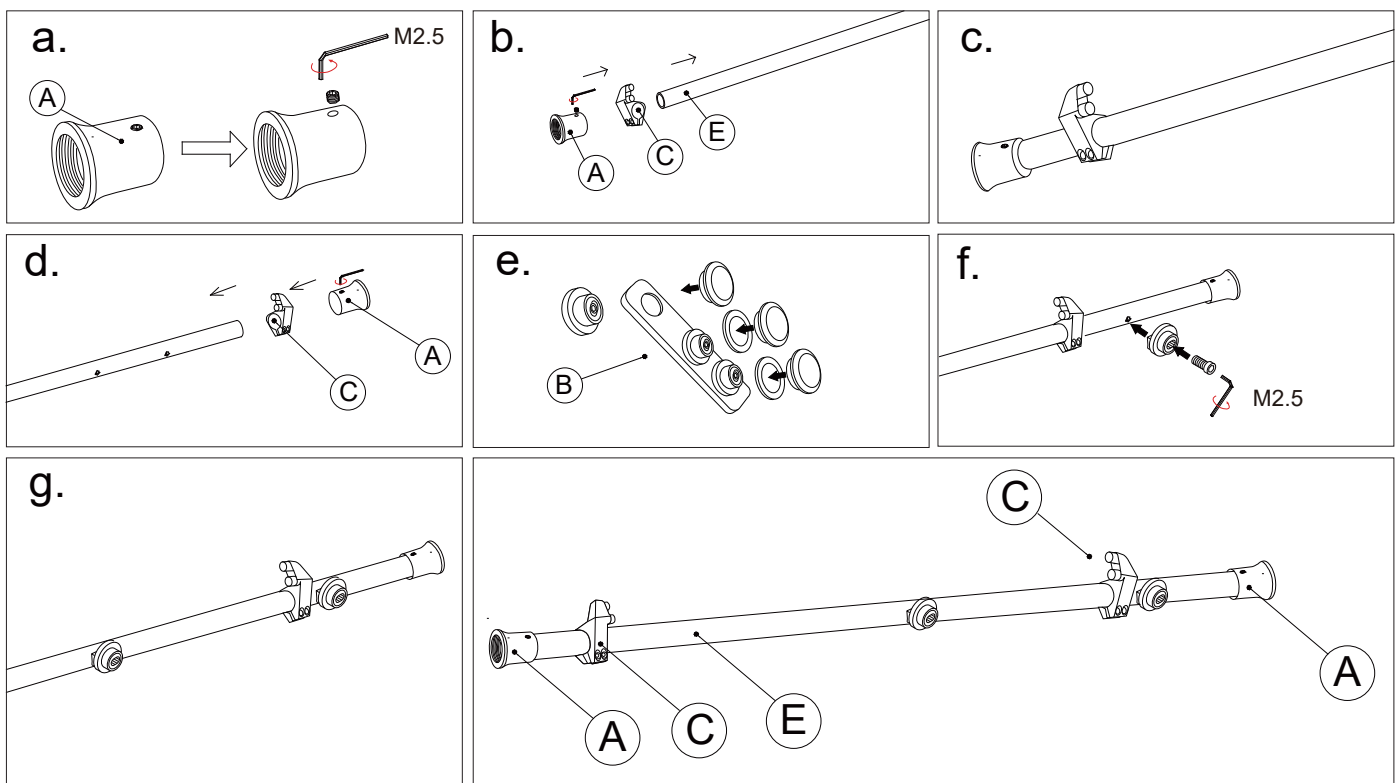
(Note: Wall width 60 inches, Upper Guide Rail length 59 inches is the standard size for configuration installation);

If the wall is less than 60 inches, the end of the Upper Guide Rail without holes must be cut short ($59" - W + 0.8"$).

For example:

If the W value is 58", then 1.8" ($59" - 58" + 0.8" = 1.8"$) should be cut on the end of the Upper Guide Rail without any holes.

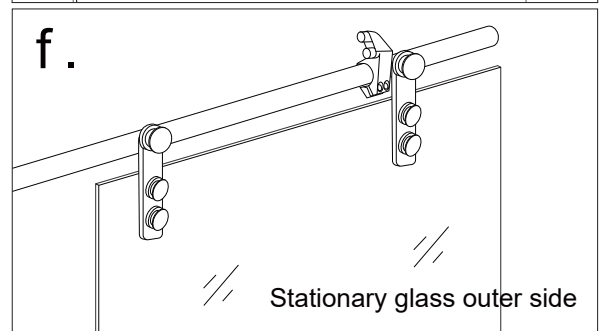
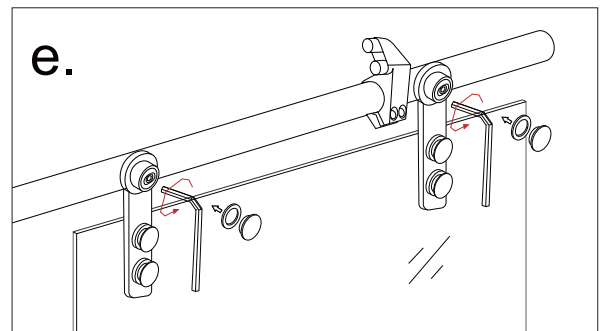
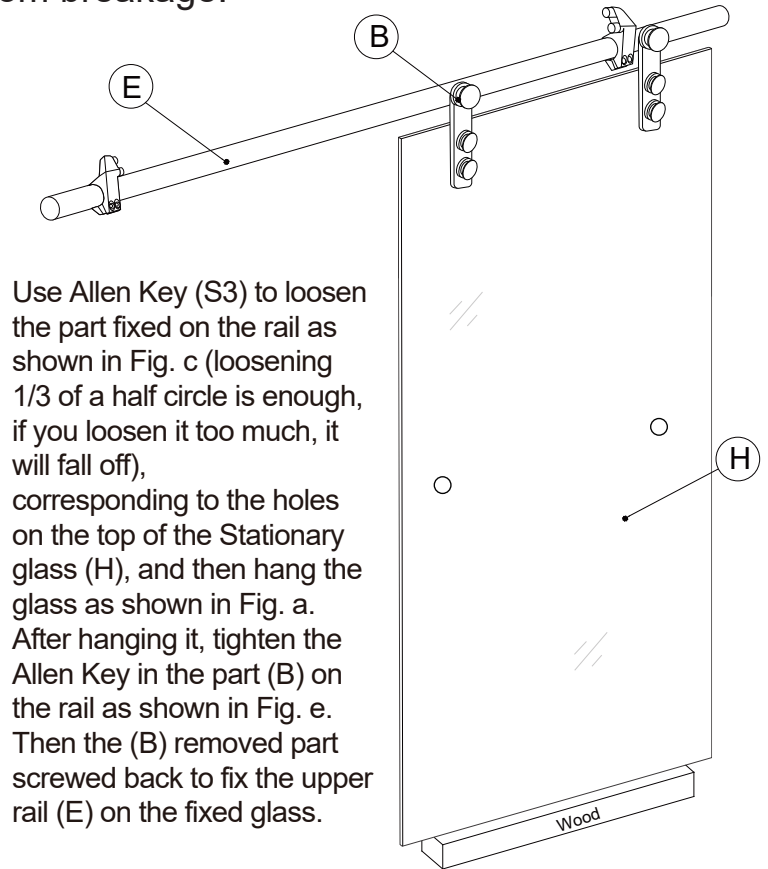
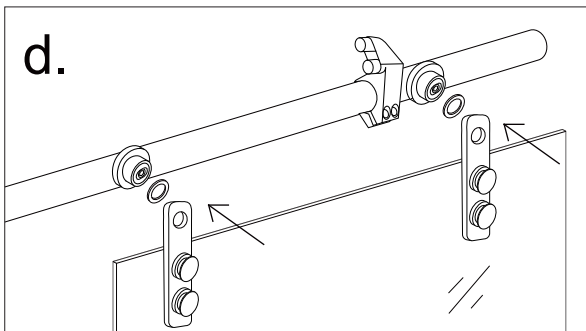
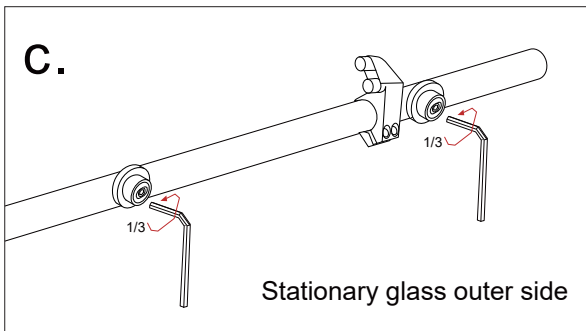
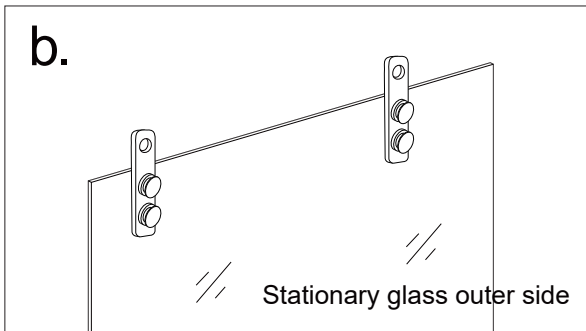
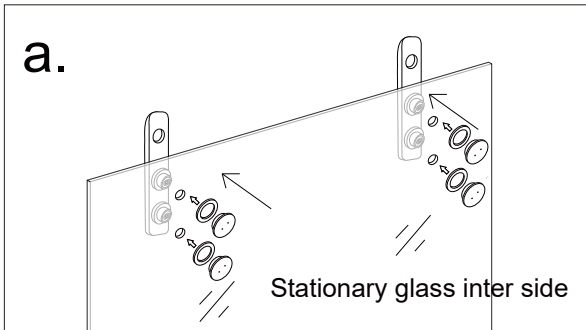
Step 1: Determine a suitable location and place the stainless steel Stopper (C) and Guide Rail Bracket (A) on the support rods as shown. Use the Allen key (S) to loosen the screws on the Guide rail bracket (A). First put (C) on the stainless steel support rod and fix it in the approximate position as shown in the figure, Then place (A) on both ends of the stainless steel support rod. Then disassemble Glass Bracket (B) as shown in the figure e, and fix half of it at the small hole of the stainless steel support rod.



Installation steps

Step 2: Place the Stationary Glass (H), align the hole above the glass with the Glass Bracket (B) that has been fixed with the stainless steel support rod. Cover the other half of the Glass Bracket (B) to lock the glass (two spacers are placed separately to protect the glass).

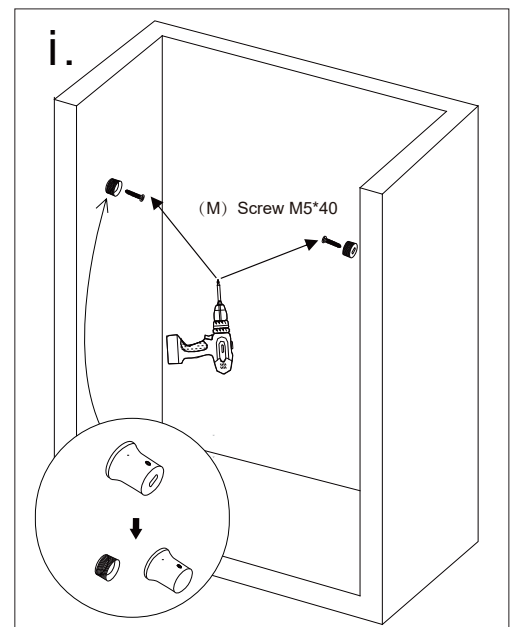
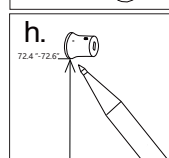
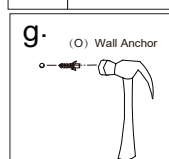
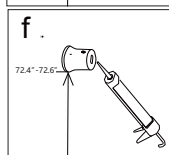
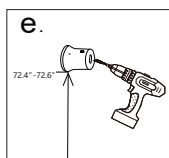
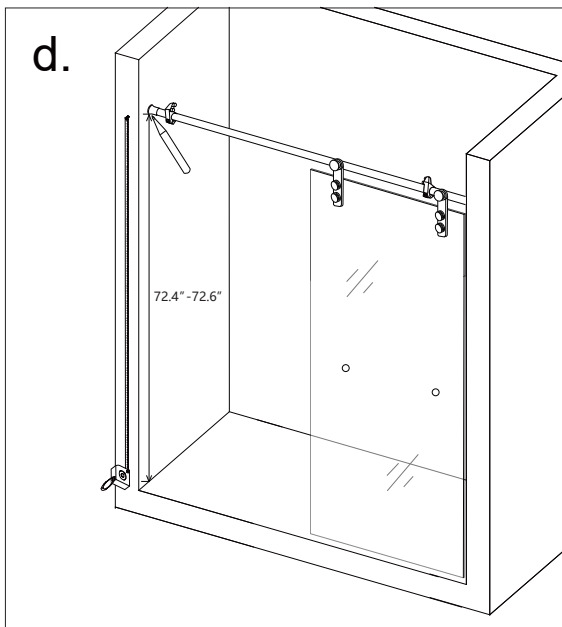
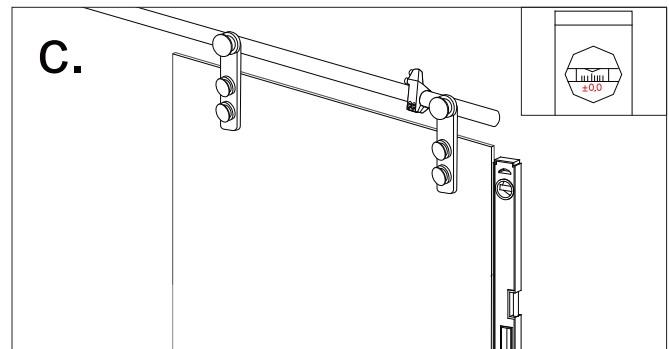
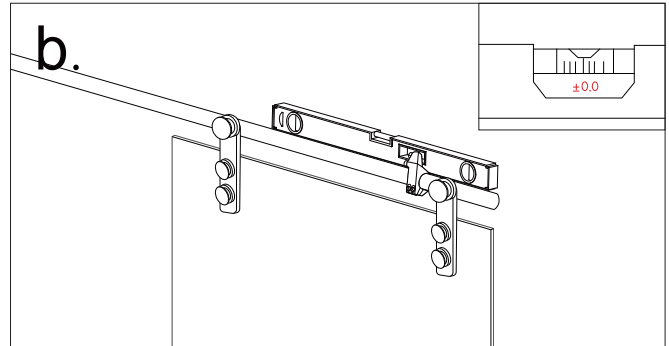
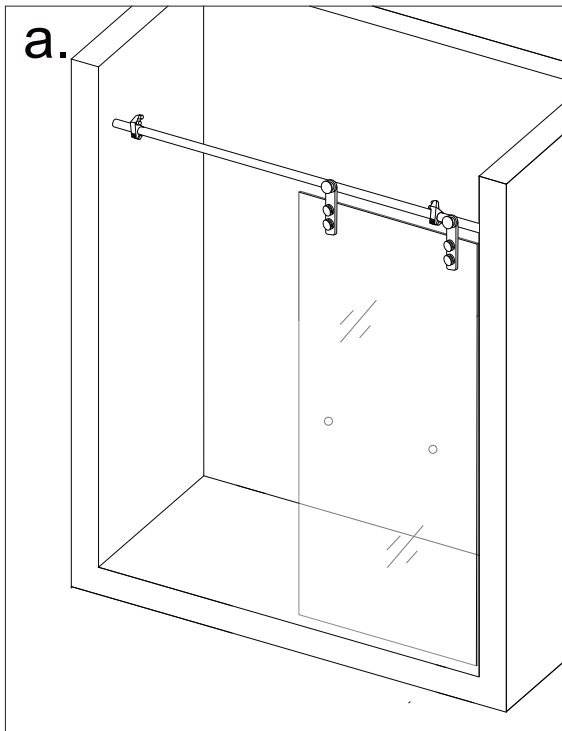
NOTE: Never set your glass down directly onto a tile or concrete floor. Always use a piece of wood or cardboard and leave the corner pads on the glass until it becomes necessary to remove them to protect the bottom edge and the corners of the glass from breakage.



Installation steps

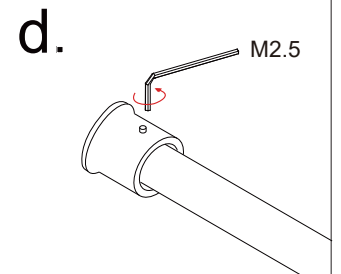
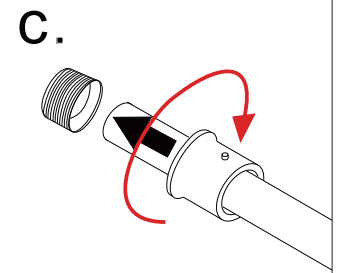
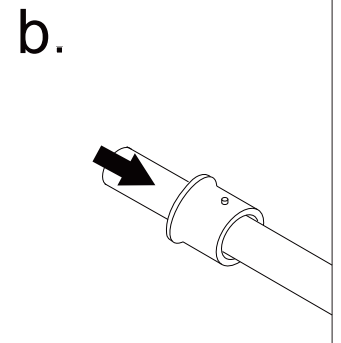
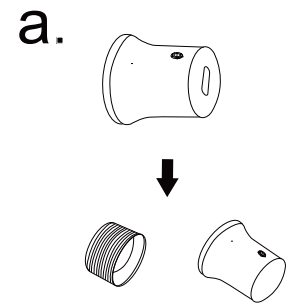
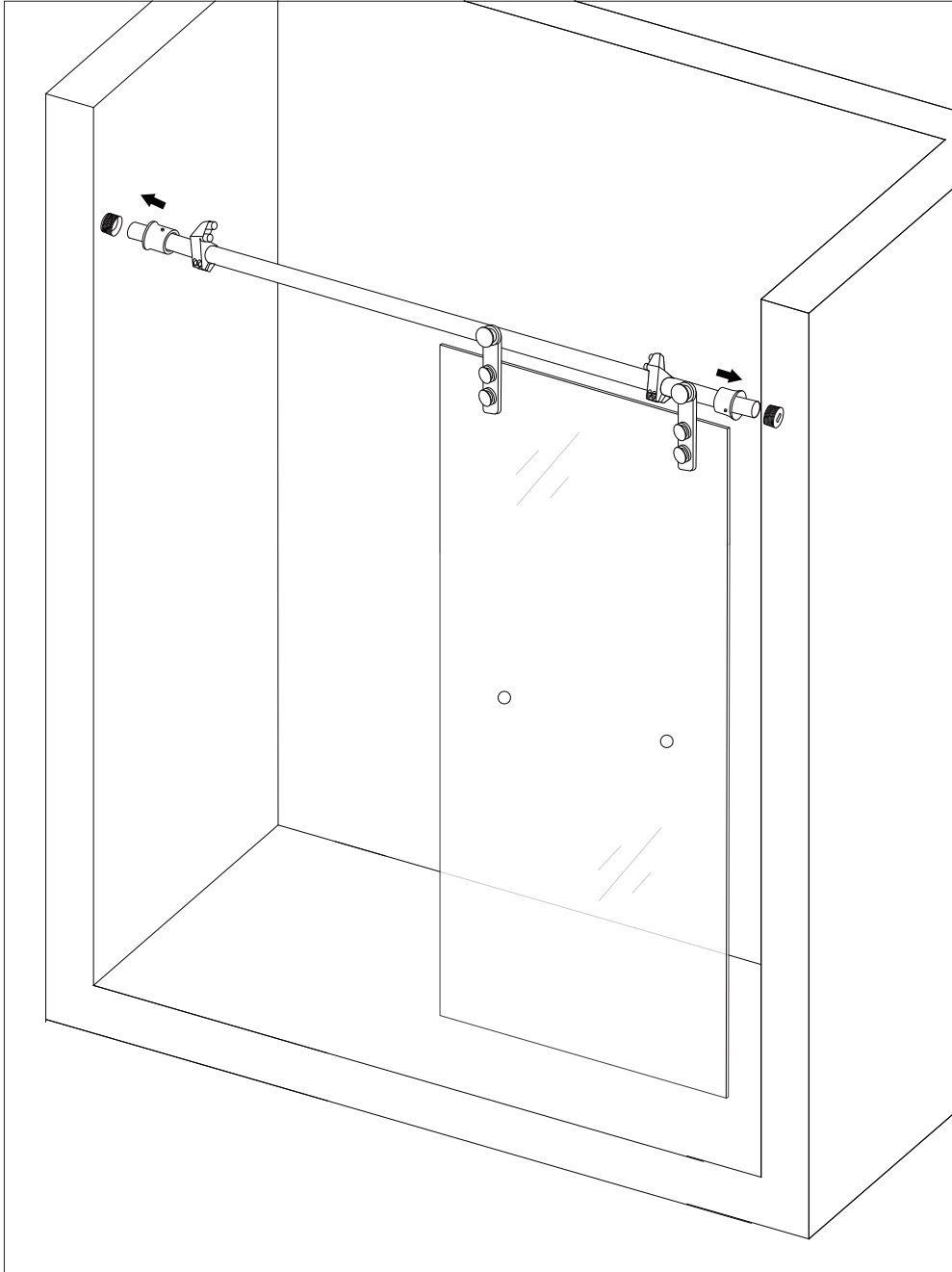
Step 3: Put Stationary Glass (H) together with the Upper Guide Rail (E) on the installation position. Make sure all are leveled. Determine the distance between the bottom of the Guide Rail Brackets (A) and the ground at 72.4"-72.6", as shown in the figure. Mark the position of the bottom of the Guide Rail Brackets (A) on both sides. Drill holes in the determined position and apply silicone into the holes, insert the Wall anchors (O) for the Guide Rail Bracket.

Step 4: Fix the Guide Rail Bracket(A) to the wall on both sides with 5*40 screws (M) as shown in the picture. The other side of the Guide Rail Bracket (A) is installed in the same way. Finally, remove the B part of the Guide Rail Brackets (A) and insert it into the Upper Guide Rail (E).



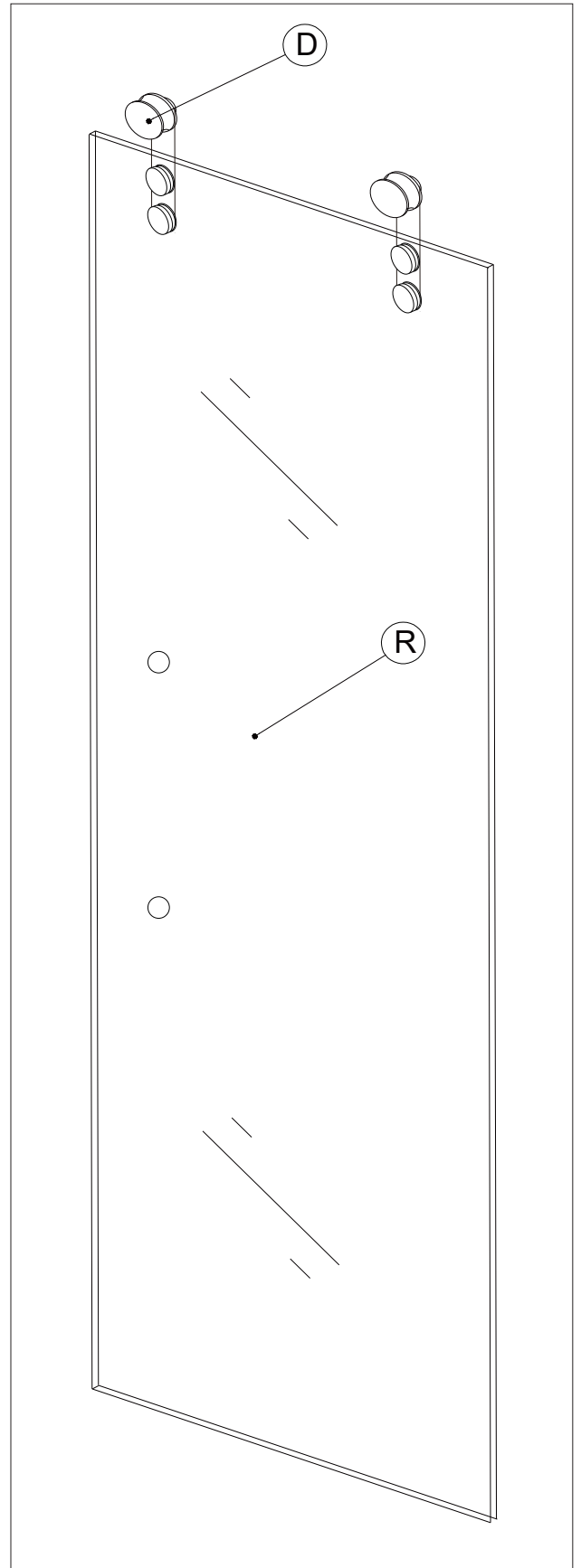
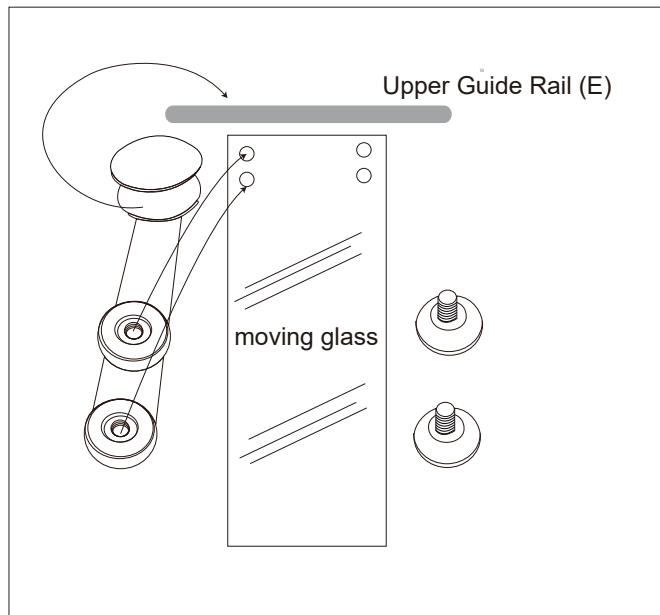
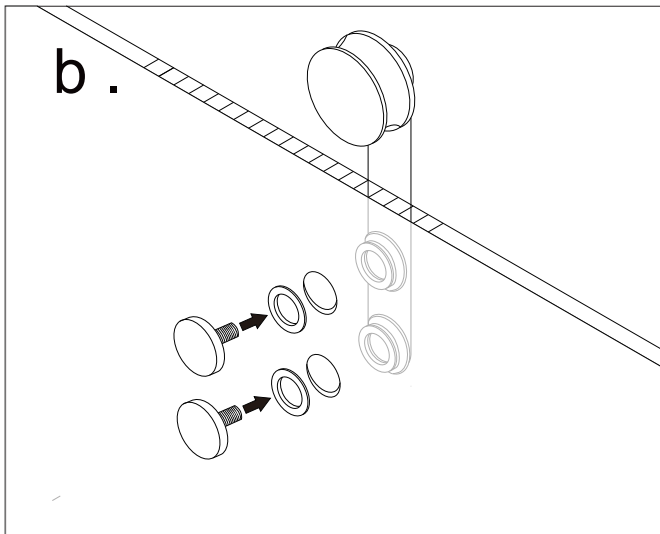
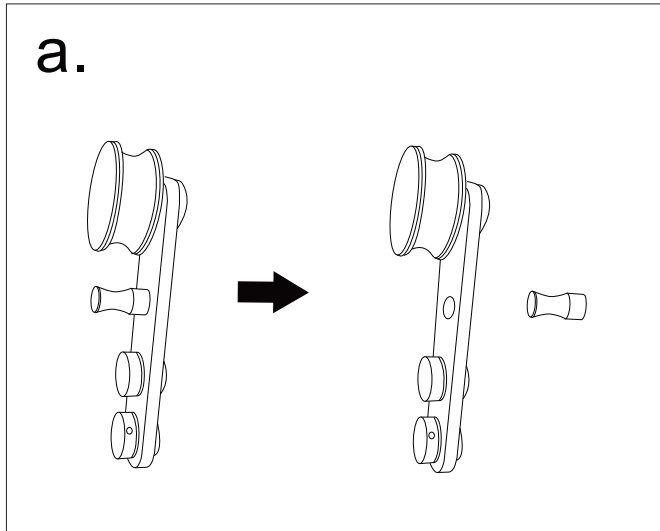
Installation steps

Step 5: Place the Stationary glass (H) back into the designated position. Slide the Guide Rail Bracket (A) to the two end sides of the Upper Guide Rail (E). Tighten the set screws on the Guide rail bracket (A) with Allen Key (S) to secure the guide rail to the wall.



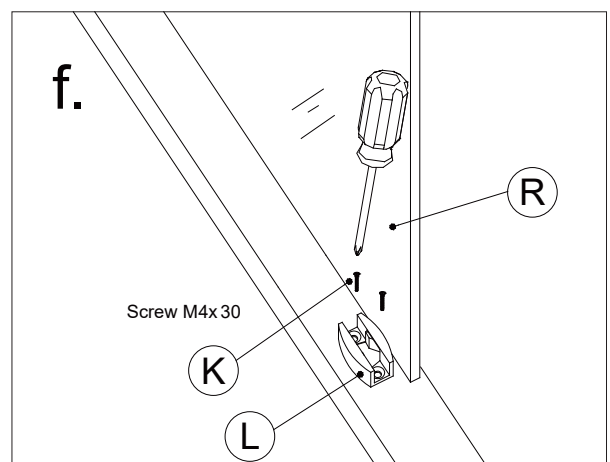
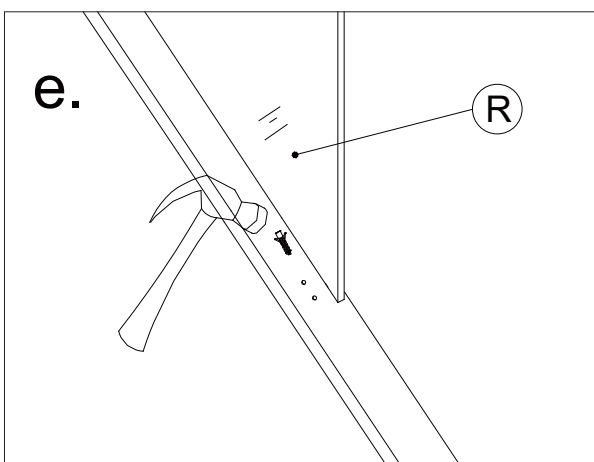
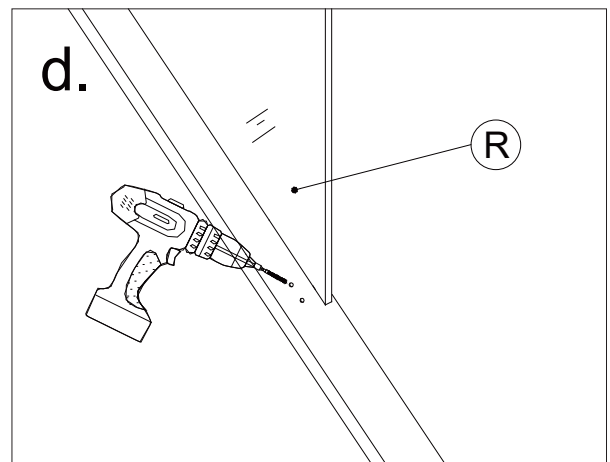
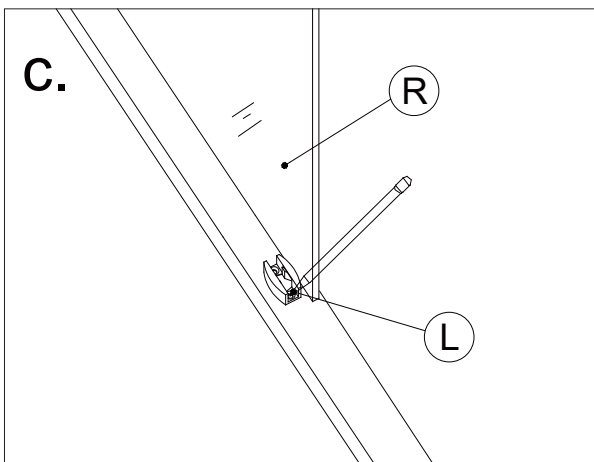
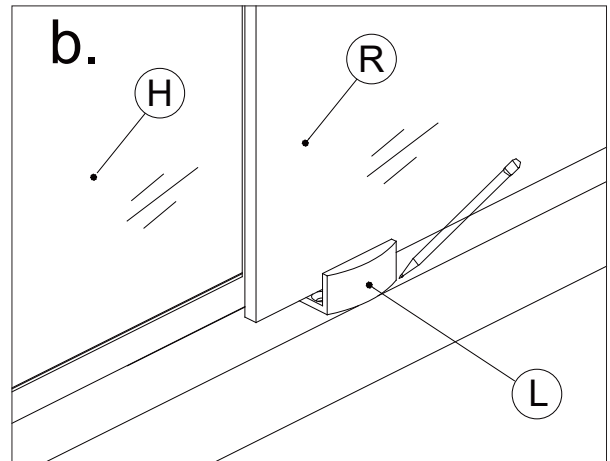
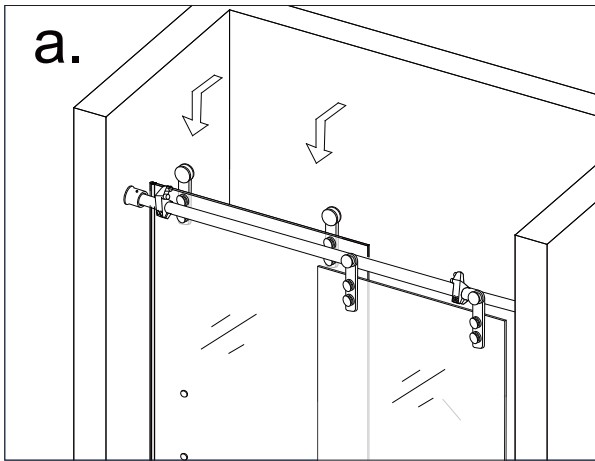
Installation steps

Step 6: Install Glass Door Loosen the Rollers (D) screws and the Install the rollers. The Upper roller part is used to connect to the Upper Guide Rail (E) and the lower two parts are used to connect to the Glass Door (R).



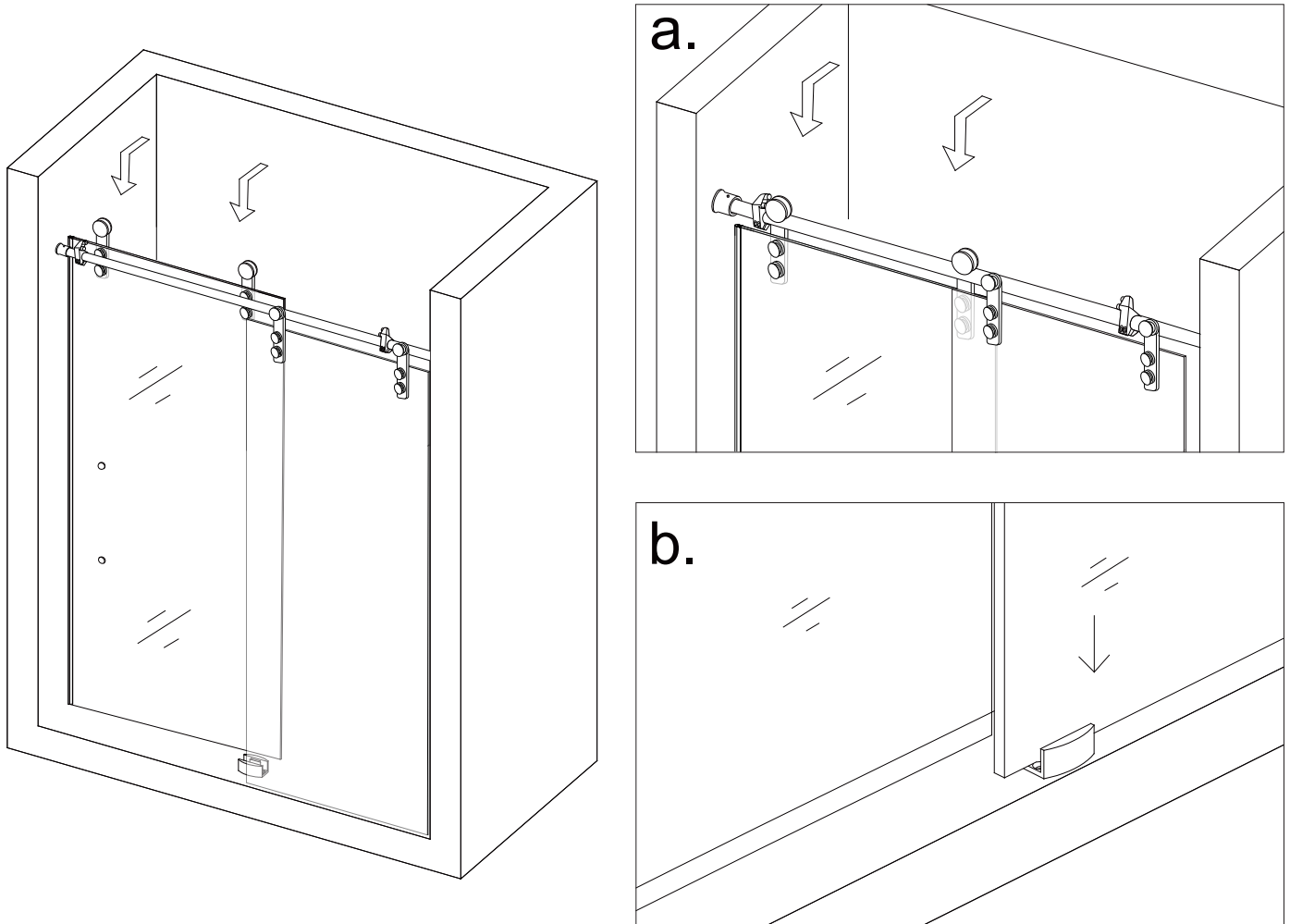
Installation steps

Step 7: Hang the Glass Door (R) installed with rollers, to the Upper Guide Rail (E). Slide the Guide Block (L) to the bottom of the glass door. Mark down the predrilled position of the guide block. Set the glass door aside. Now drill the hole with drill bit to the threshold. Put the silicone to the hole and then put the wall anchor (P) into the hole. Now secure the guide block to the threshold with Screw M4X30 (K).



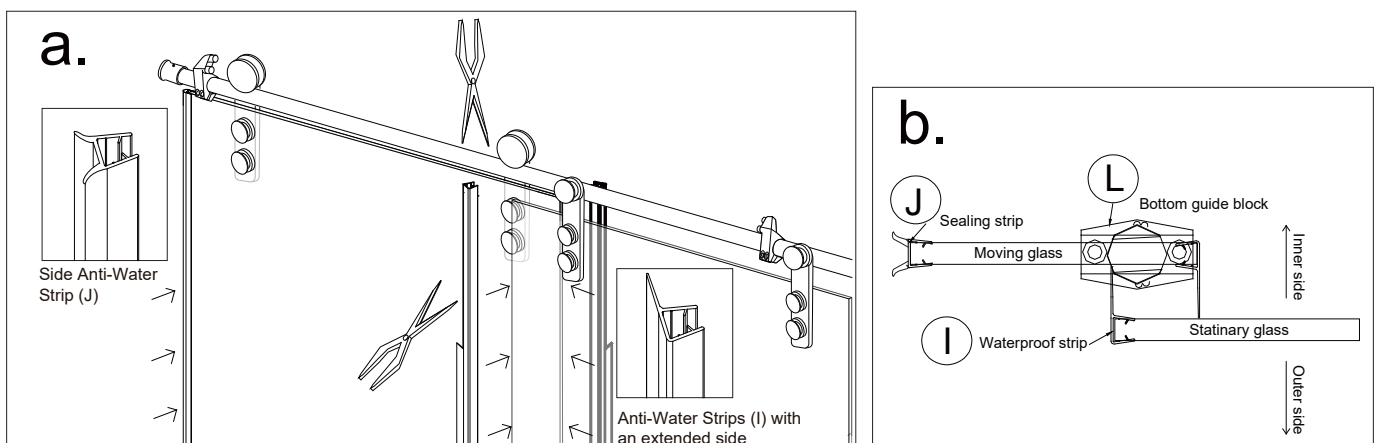
Installation steps

Step 8: Hang the Glass Door (R) back to the Upper Guide Rail (E) , slide the bottom of the glass door into the slot of the Guide Block (L) . Be careful that the glass door should not touch the metal part of the guide block.



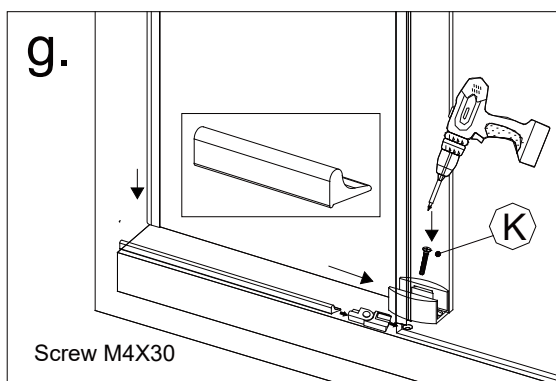
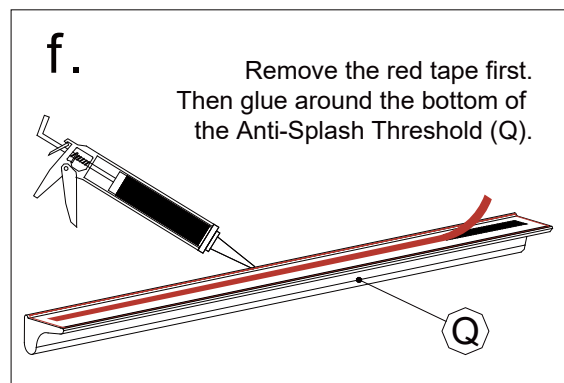
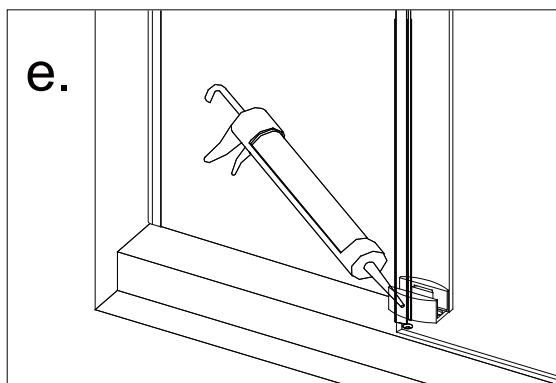
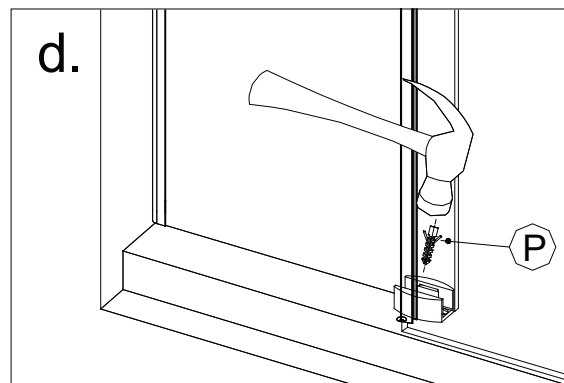
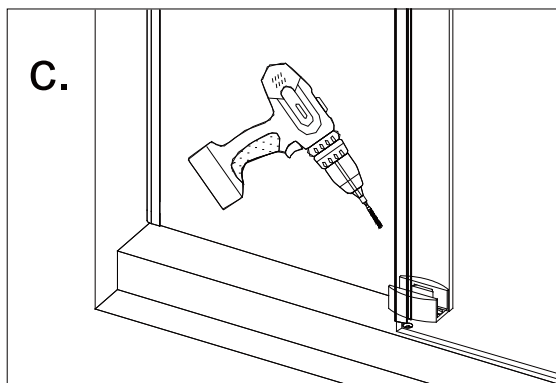
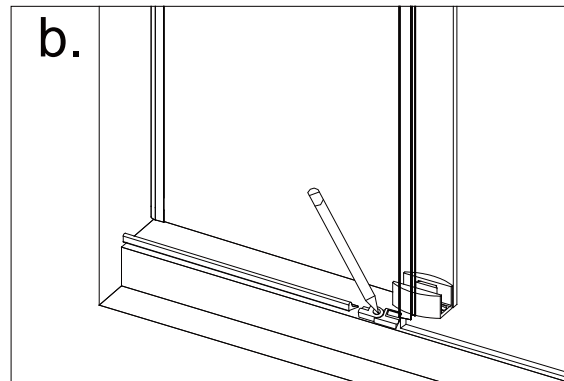
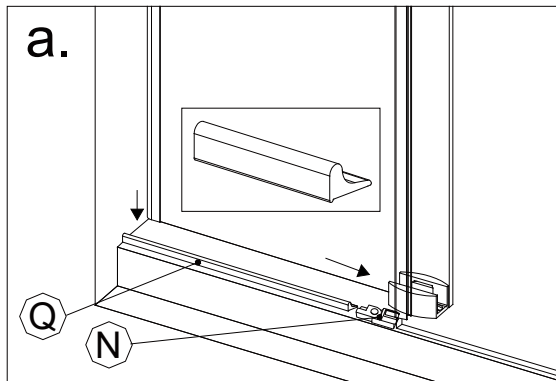
Step 9 : Slide the Side Anti-Water Strip (J) to the Glass Door (R), and slide the 2 pieces Anti-Water Strips (I) with an extended side to the middle glass, cut the extended side that interferes with the Upper Guide Rail (E).

Note : Before installing the Anti-Water Strip (I) and Side Anti-Water Strip(J) , lubricate with water the part that touches the glass for better installation on the glass.



Installation steps

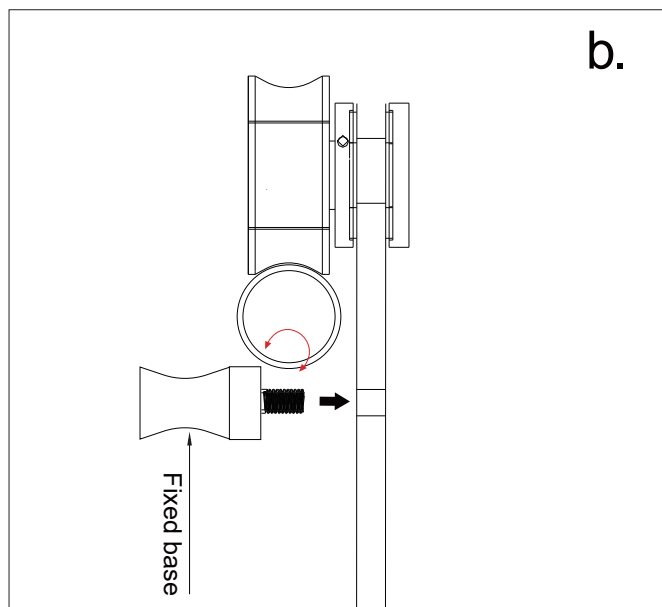
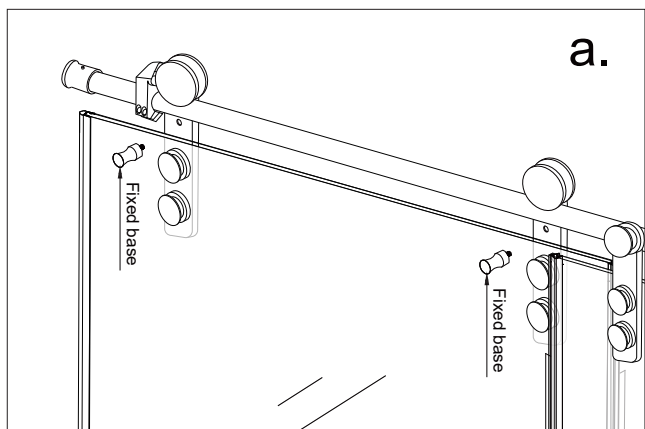
Step 10: Install the Anti-Splash Threshold (Q) in front of the Glass Door (R). Put the Antisplash threshold in front of the Glass Door (R), and then put the Aluminum Cover with slot(N) into the Stationary Glass (H), on top of the threshold. Mark down the predrilled holes on the threshold, drill the holes with drill bit, put the wall anchor (P). Put silicone sealant to the bottom of the Anti-splash threshold, secure it to the threshold with M4x30 Screw (K) and put the covers back on it.



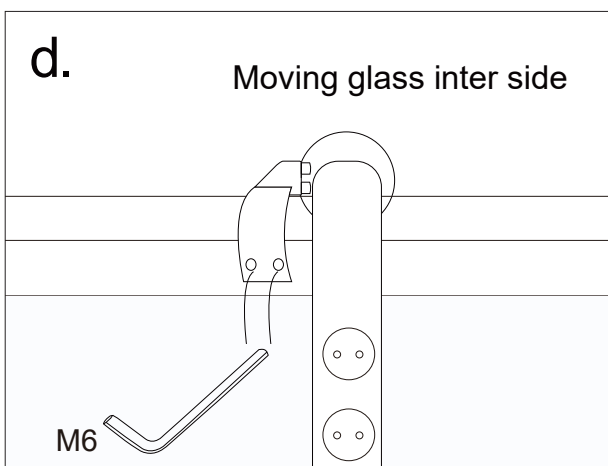
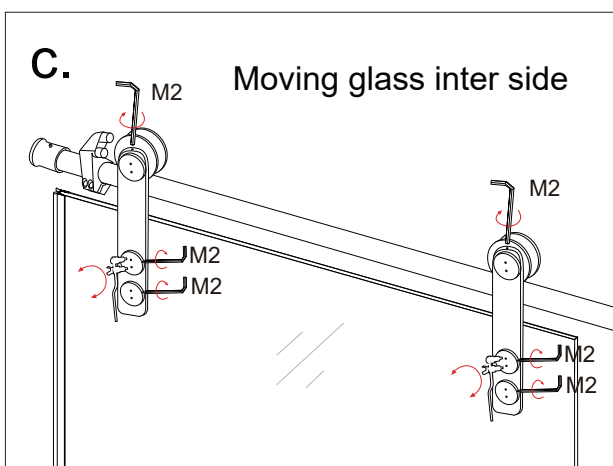
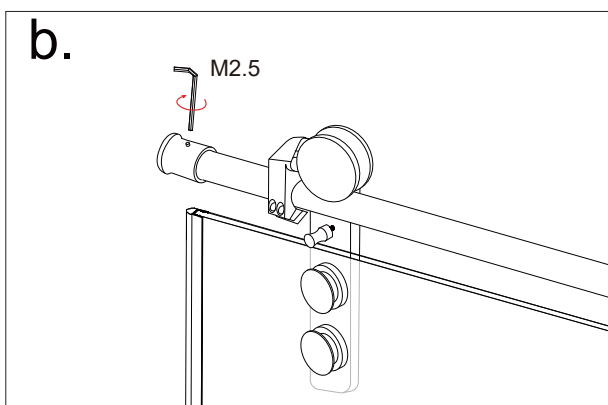
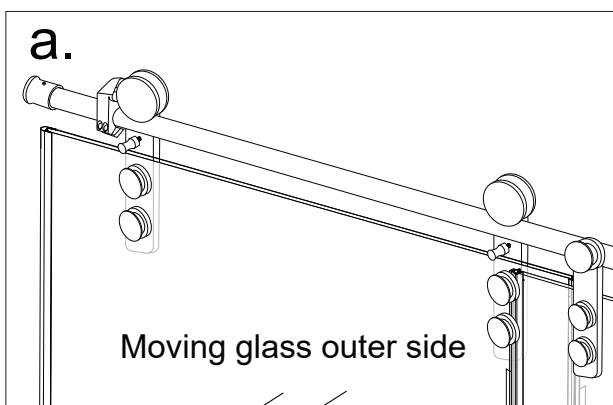
Note: Please choose the right direction of aluminum cover with slot(N) installation according to the direction of the installed shower door, only in the middle of the two pieces of glass can be installed.

Installation steps

Step 11: Put the anti-jump buttons removed from step a on step 7 back into the Rollers (D) section.



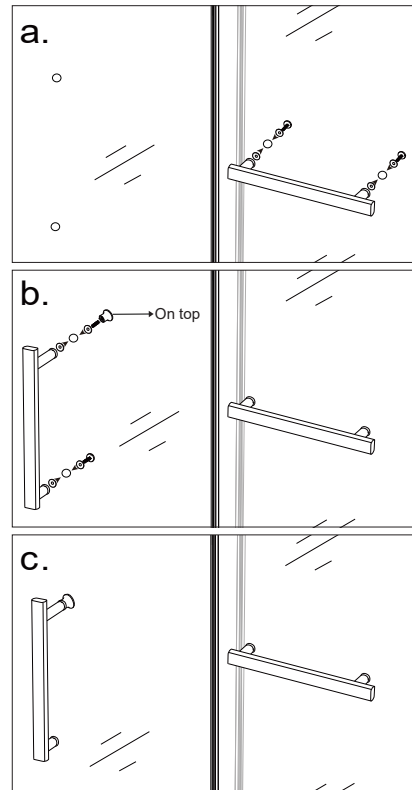
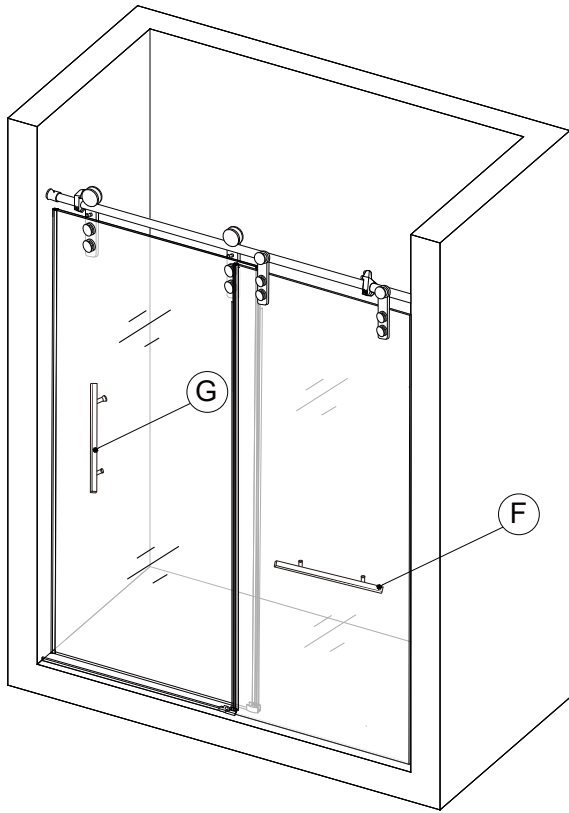
Step 12: Tighten the fasteners on both Rollers (D), Guide Rail Brackets (A) Cover, Glass Brackets (B) and Glass door Stoppers (C). The Glass door Stoppers (C) can adjust the tightness to move the position, used to block the Rollers (D), control the edge of the glass will not touch the wall, determine the position before tightening.



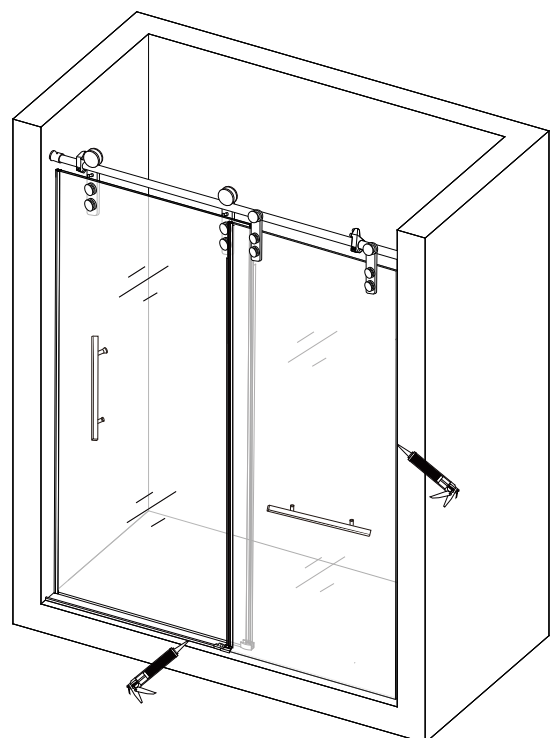
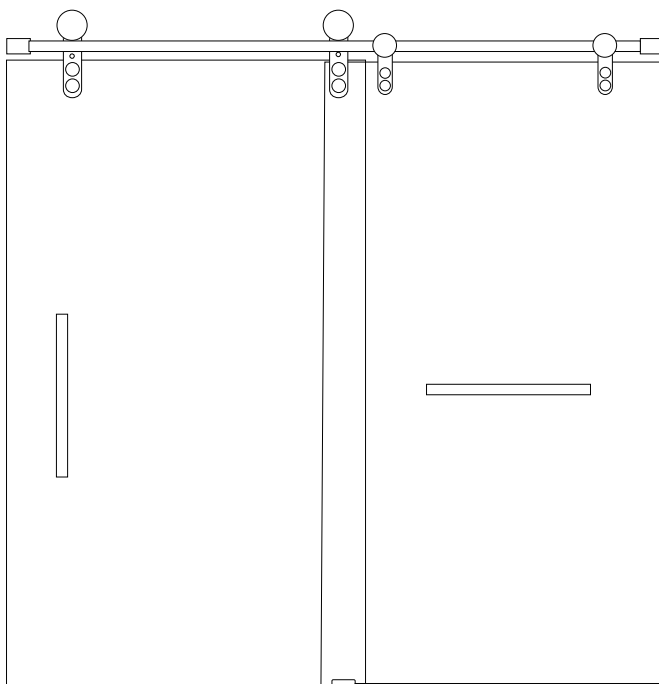
Installation steps

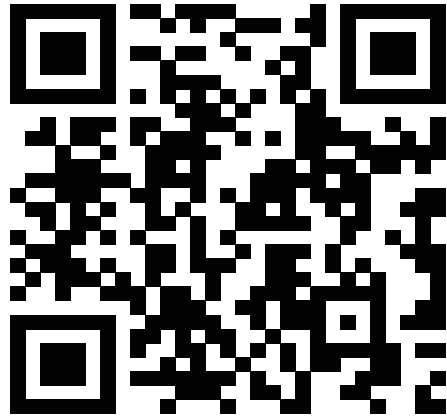
Step 13: Install the handle as shown in the figure.

NOTE: The connector of the big head on the handle is above.



Step 14: Apply silicone sealant on the seams between the stationary glass and the shower base/bathtub, and between the wall and the stationary glass.





www.alaulm.com

Make your life much better.