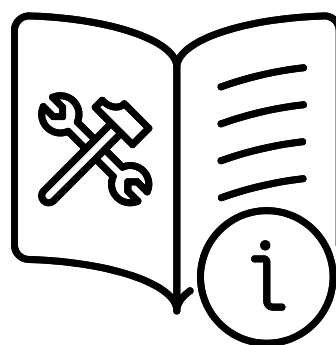
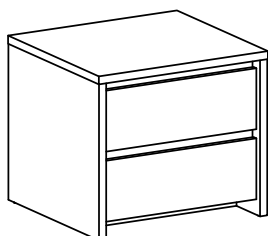
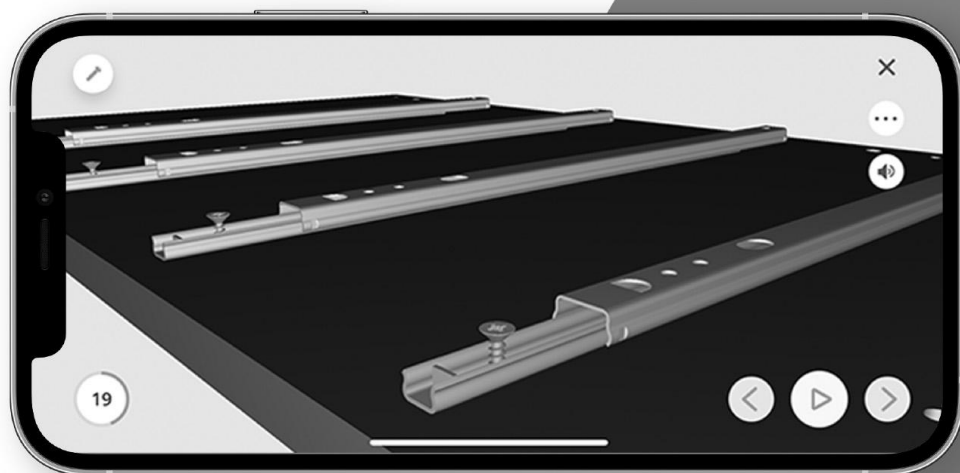
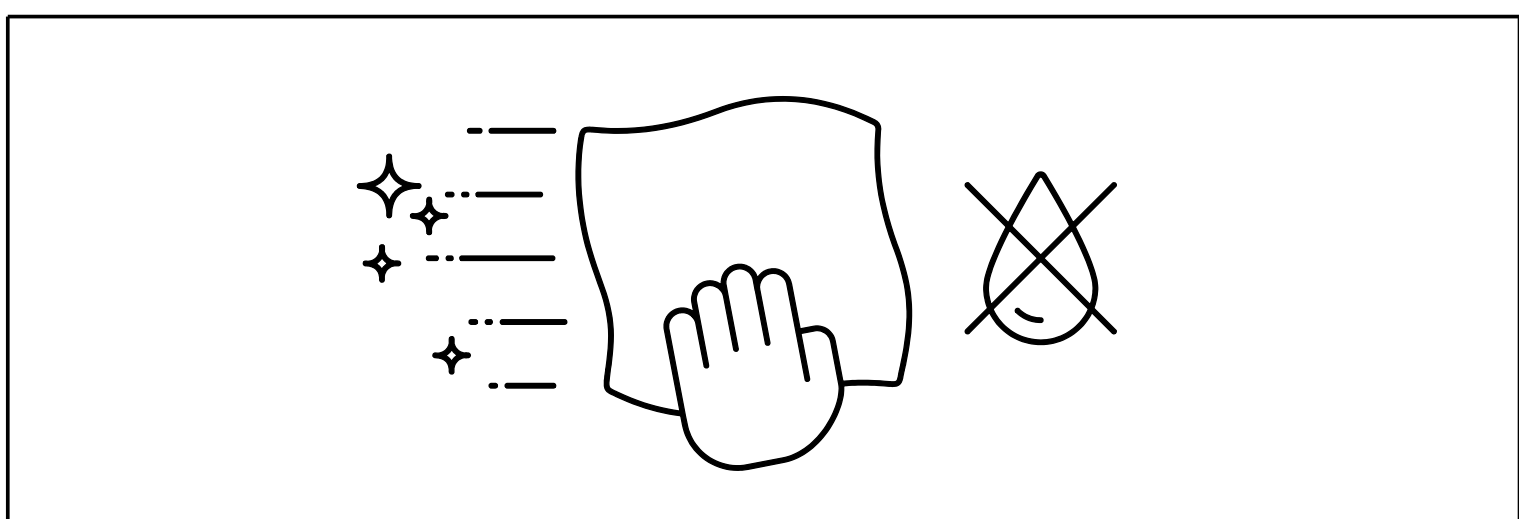
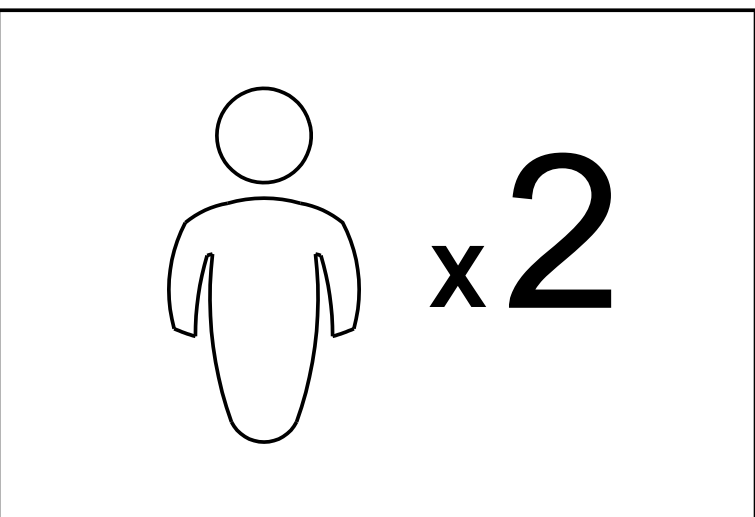
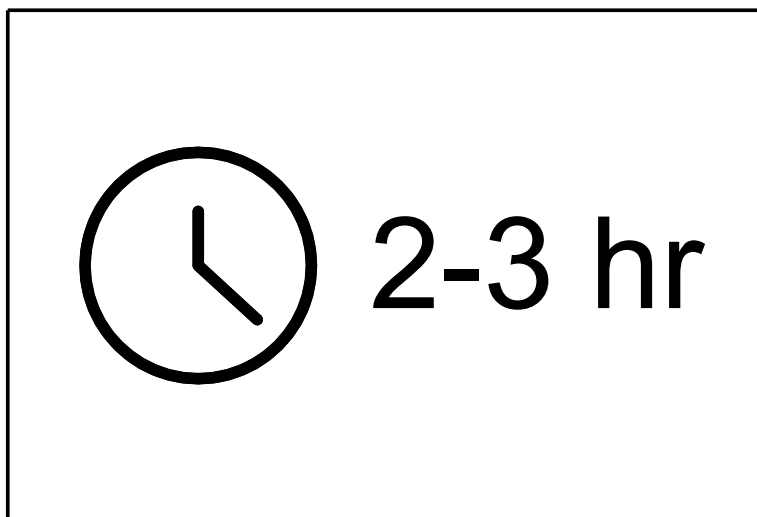
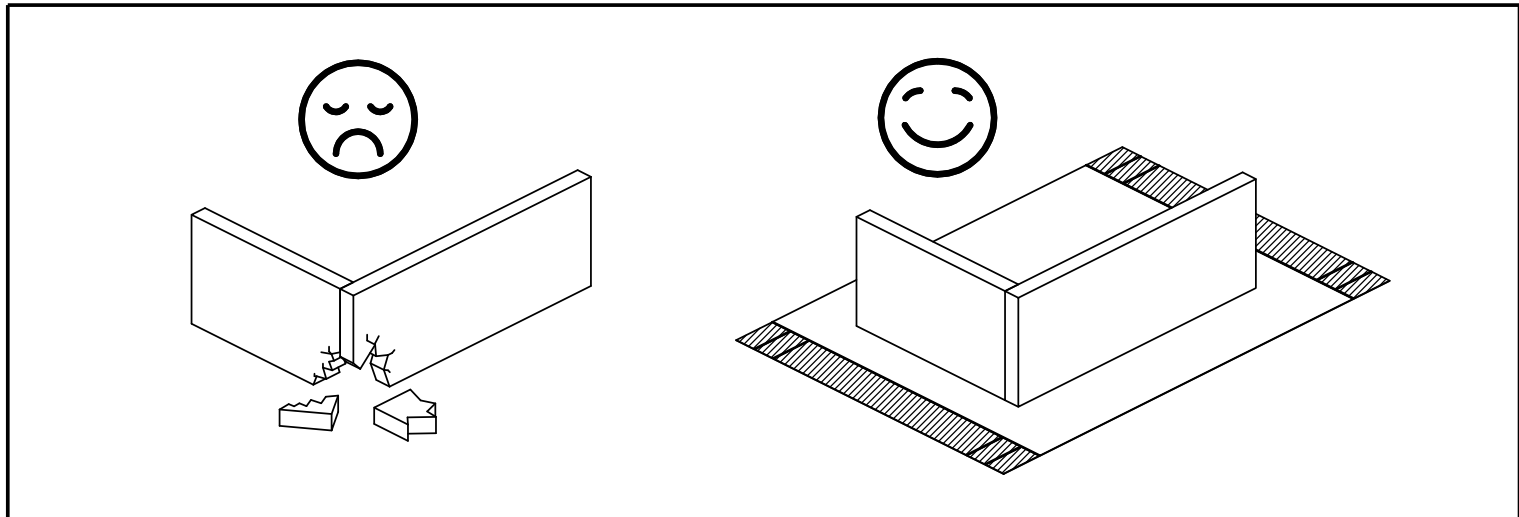
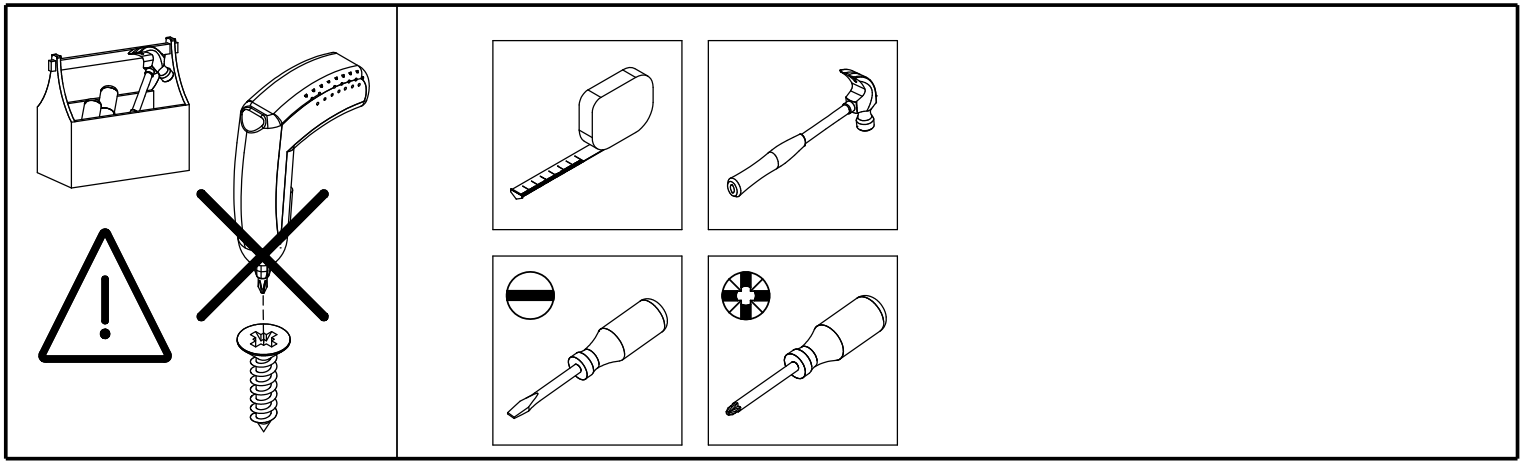


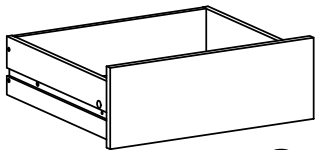
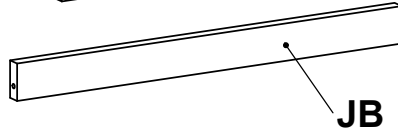
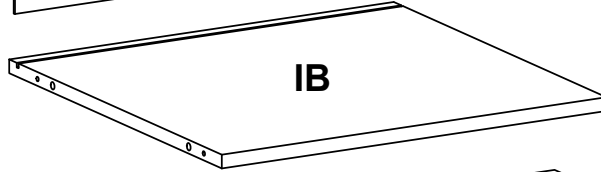
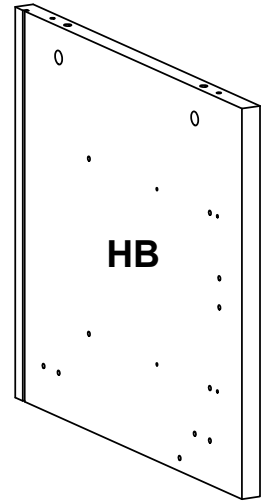
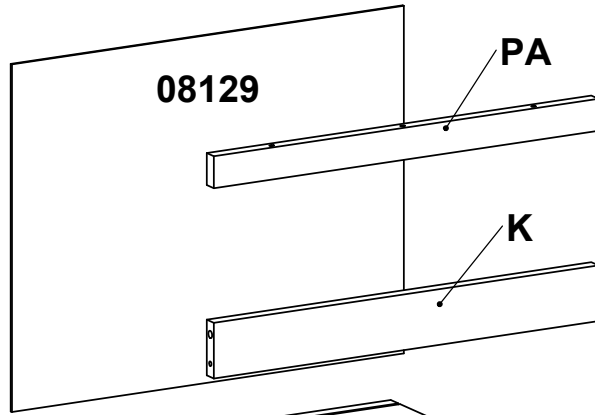
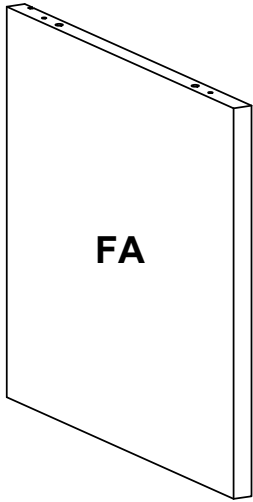
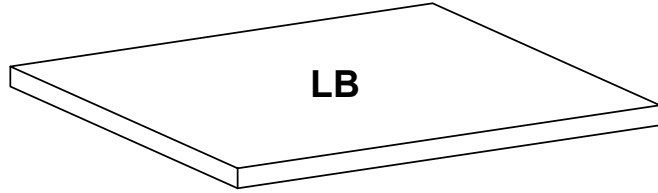
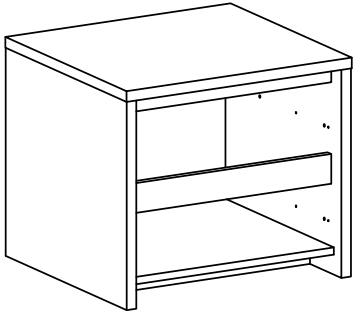
IMPORTANT / IMPORTANTE



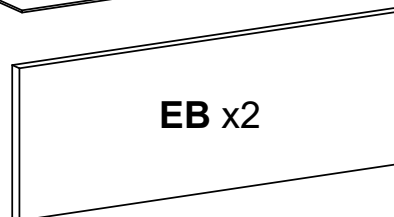
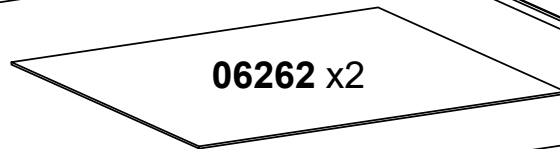
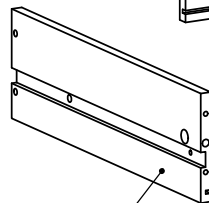
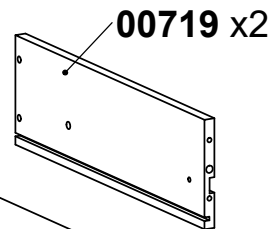
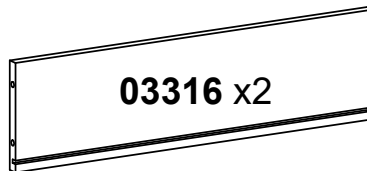


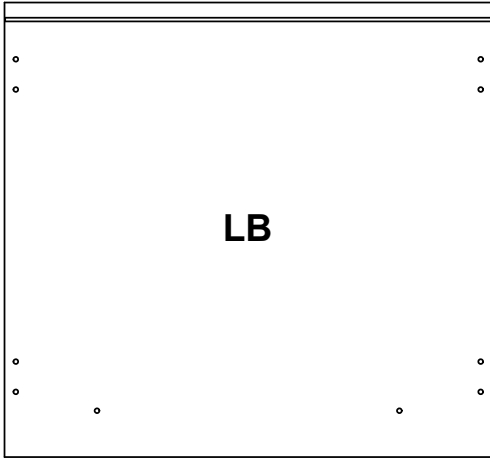


<p>0110401 x8</p> <p>0.59x0.55x0.39" 15x14x10 mm</p>	<p>0113412 x1</p> <p>0.79x0.79x0.63x0.08" 20x20x16x2 mm</p>	<p>0120203 x22</p> <p>Ø0.2x1.18" Ø5x30 mm</p>	<p>0120228 x8</p> <p>Ø0.25x1.57" Ø6,3x40 mm</p>	<p>0125233 x10</p> <p>Ø0.14x0.59" Ø3,5x15 mm</p>
<p>0125266 x1</p> <p>Ø0.16x1.77" Ø4x45 mm</p>	<p>0126020 x8</p> <p>Ø0.23x0.35" Ø5,8x9 mm</p>	<p>0126214 x4</p> <p>M4x0.35" M4x9 mm</p>	<p>0131513 x14</p> <p>Ø0.30x1.77/1.34" Ø7,5x45/34 mm</p>	<p>0131687 x14</p> <p>Ø0.59x0.37" Ø15x9,5 mm</p>
<p>0141417 x4</p> <p>0.67x12.20/15.75" 17x310/400 mm</p>	<p>0163001 x4</p> <p>Ø0.47x0.16" Ø12x4 mm</p>			

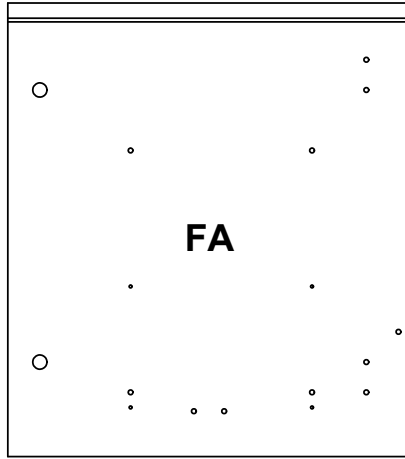


x2

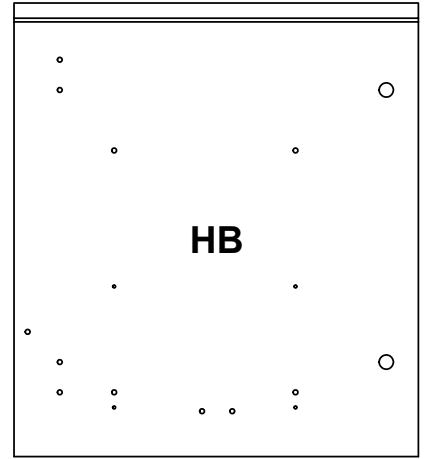




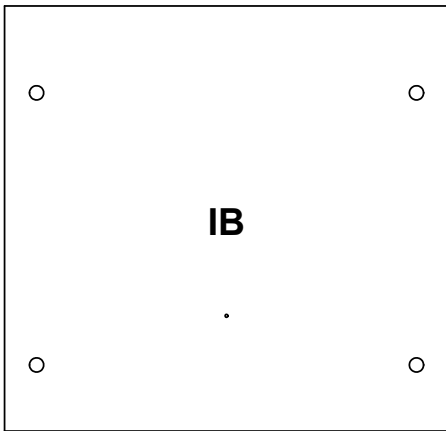
516x481x22mm



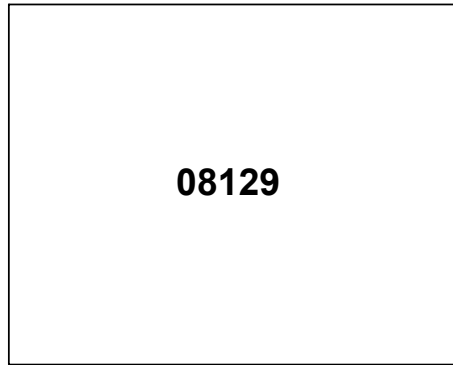
428x480x22mm



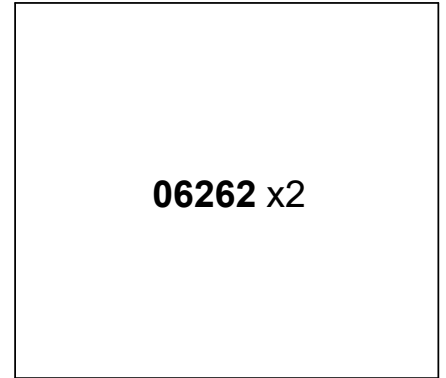
428x480x22mm



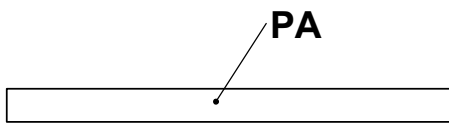
470x450x15mm



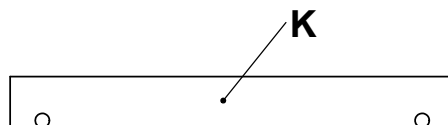
381x479x2,5mm



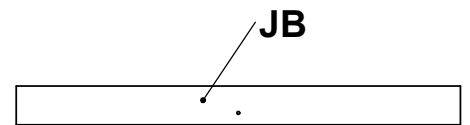
448x397x2,5mm



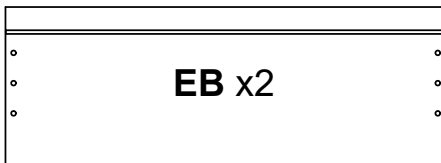
470x35x15mm



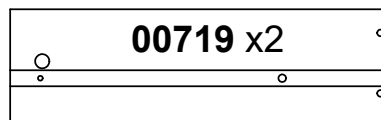
470x61x15mm



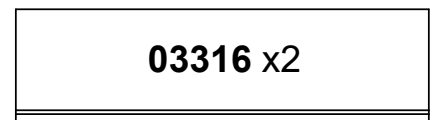
470x41x15mm



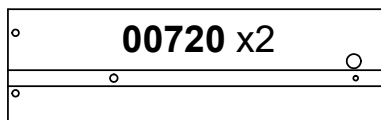
466x167x15mm



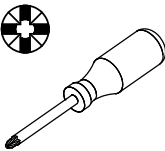
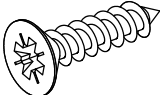
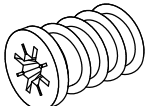
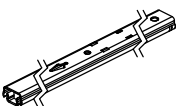
400x120x12,2mm

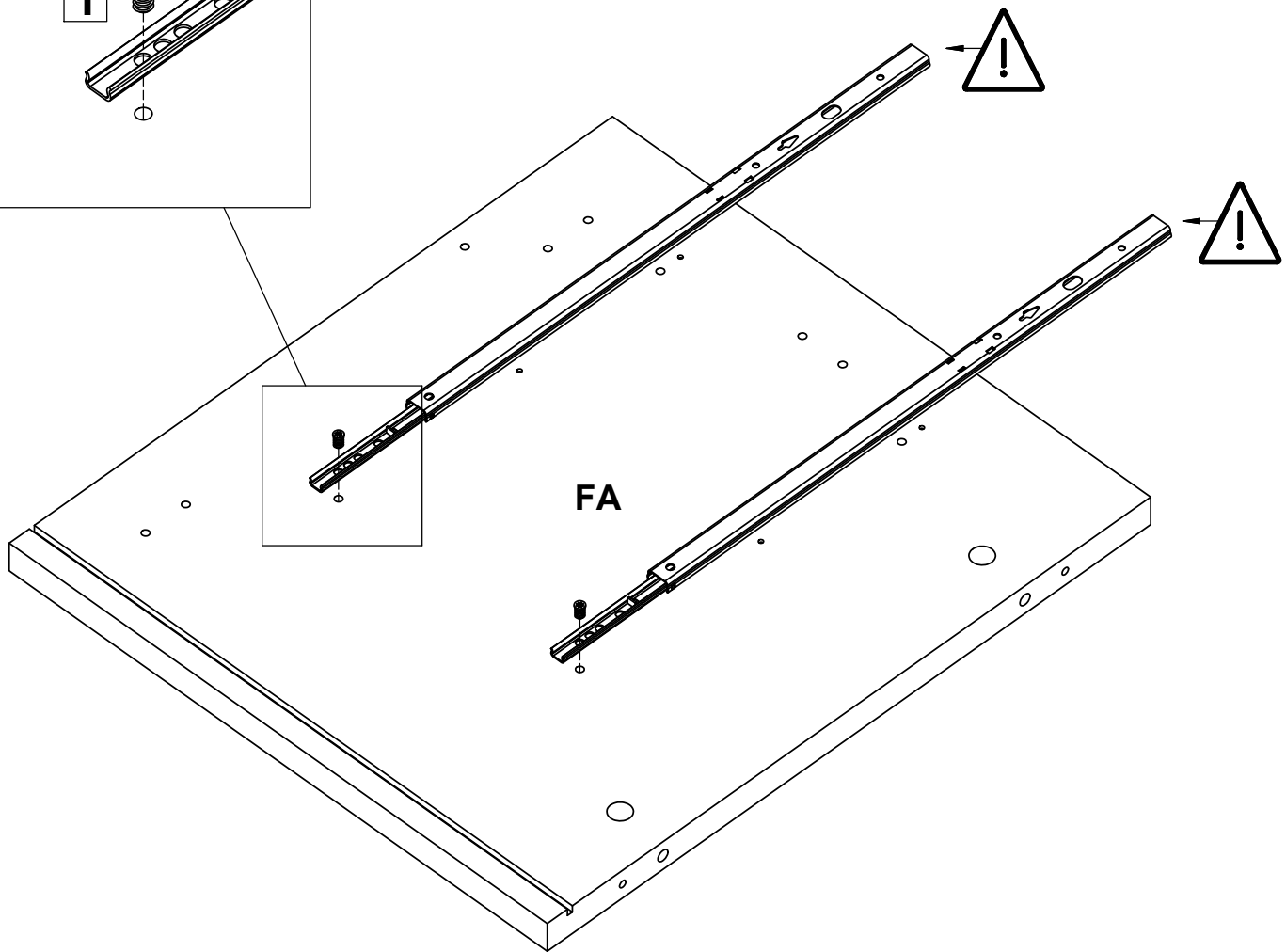
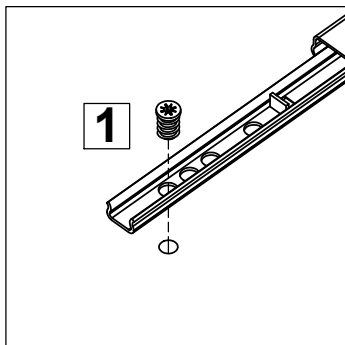
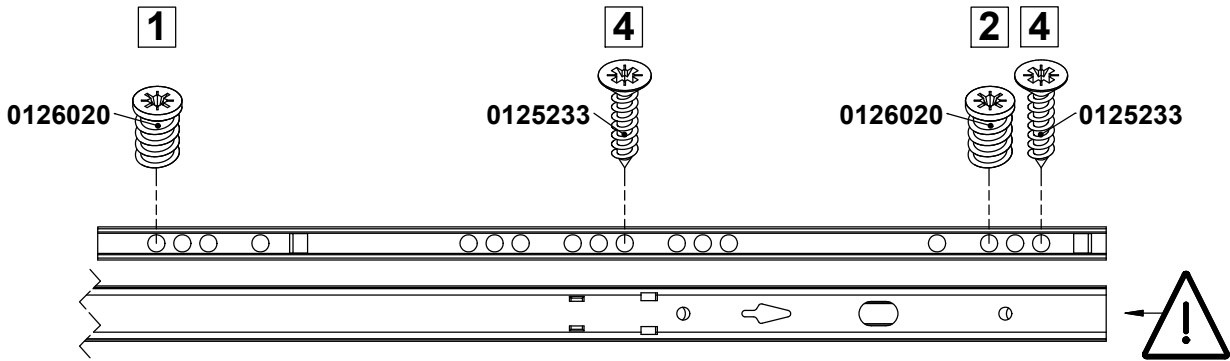


437x120x12,2mm



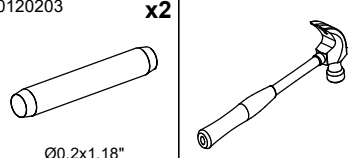
400x120x12,2mm

1	0125233 x4	0126020 x4	0141417 x2	
	 Ø0.14x0.59" Ø3.5x15 mm	 Ø0.23x0.35" Ø5.8x9 mm	 0.67x12.20/15.75" 17x310/400 mm	

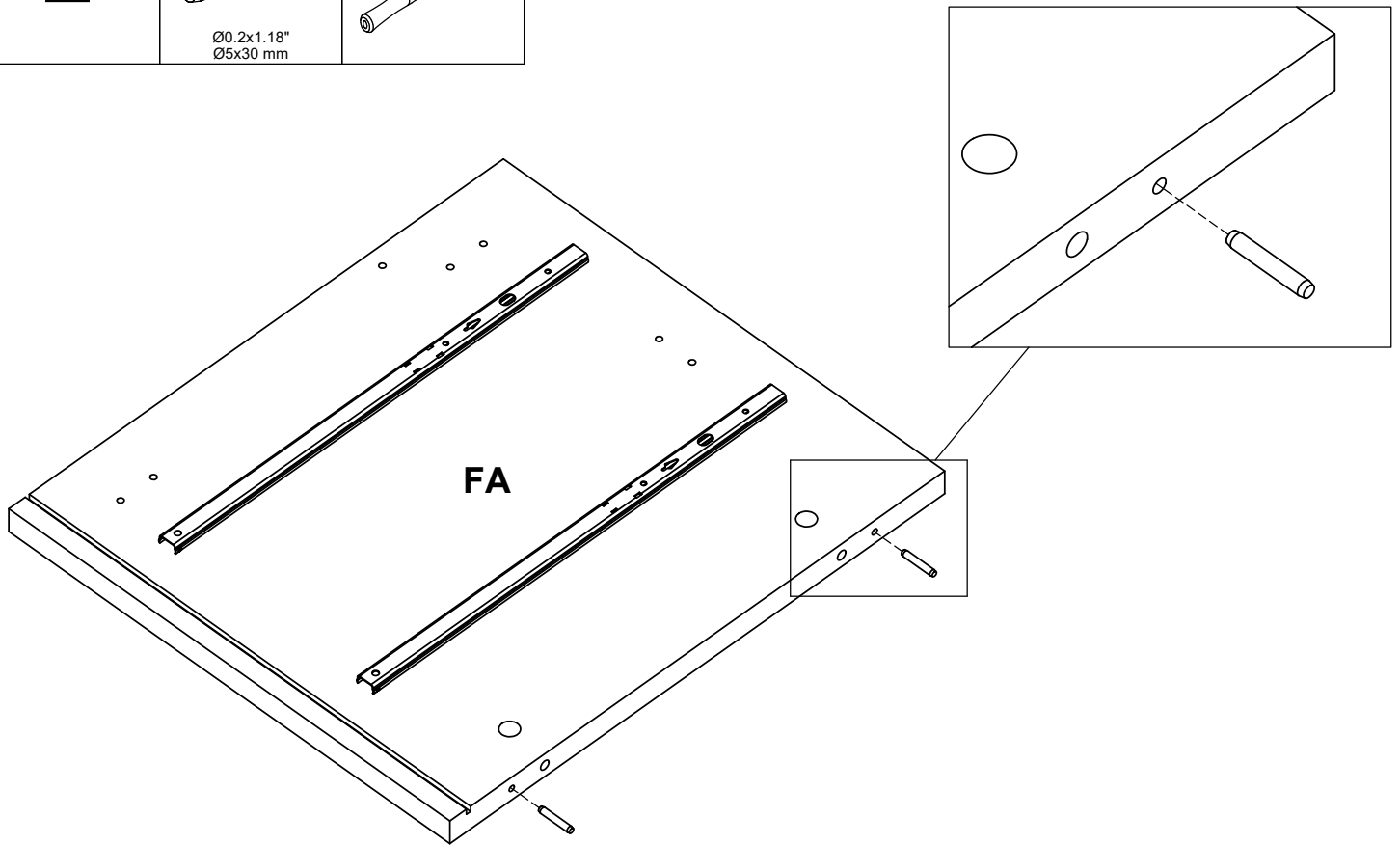


2

0120203 **x2**

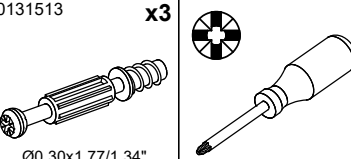


Ø0.2x1.18"
Ø5x30 mm

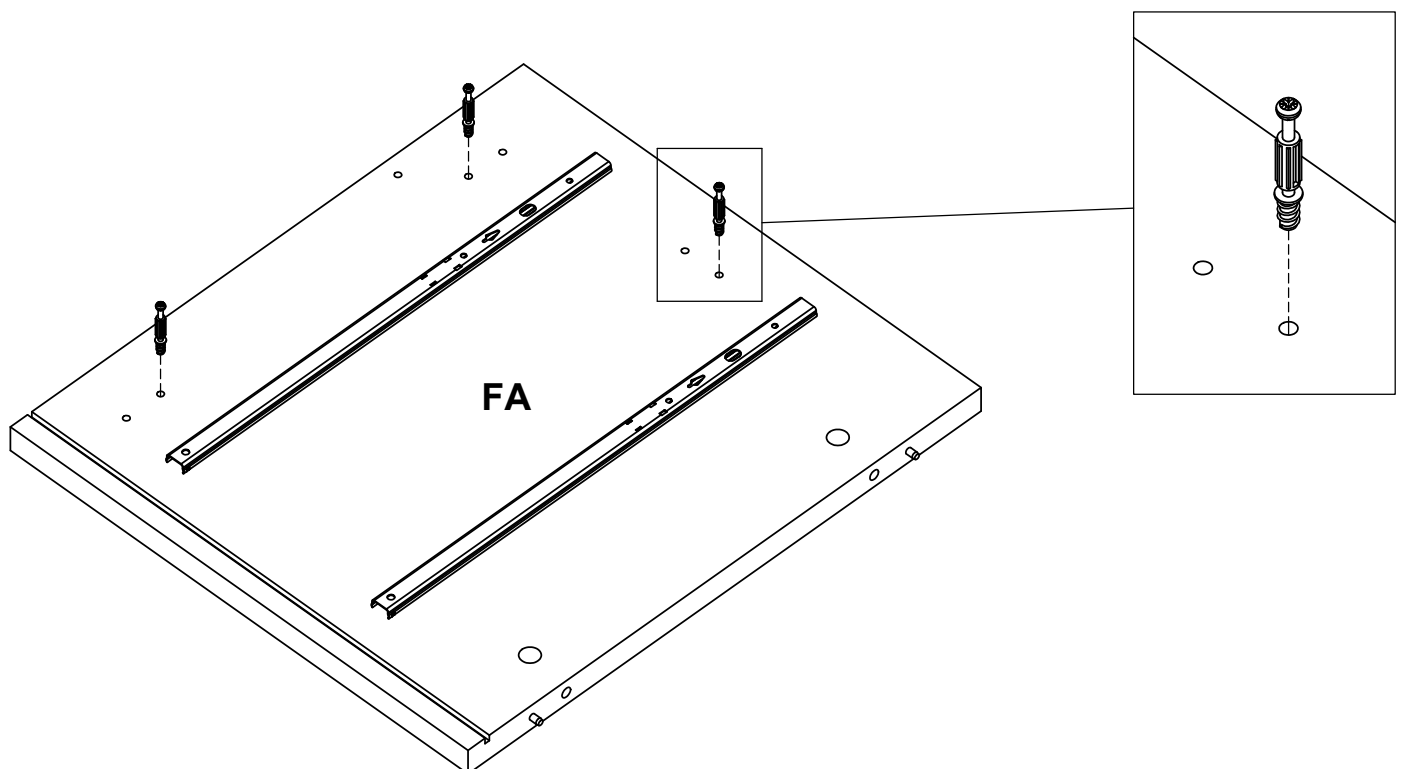
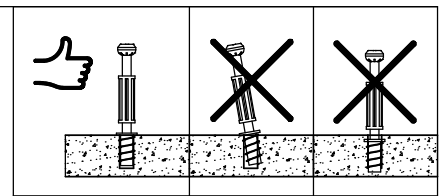


3

0131513 **x3**



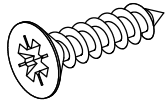
Ø0.30x1.77/1.34"
Ø7.5x45/34 mm



4

0125233

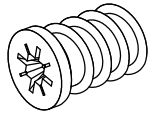
x4



Ø0.14x0.59"
Ø3,5x15 mm

0126020

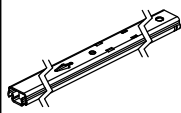
x4



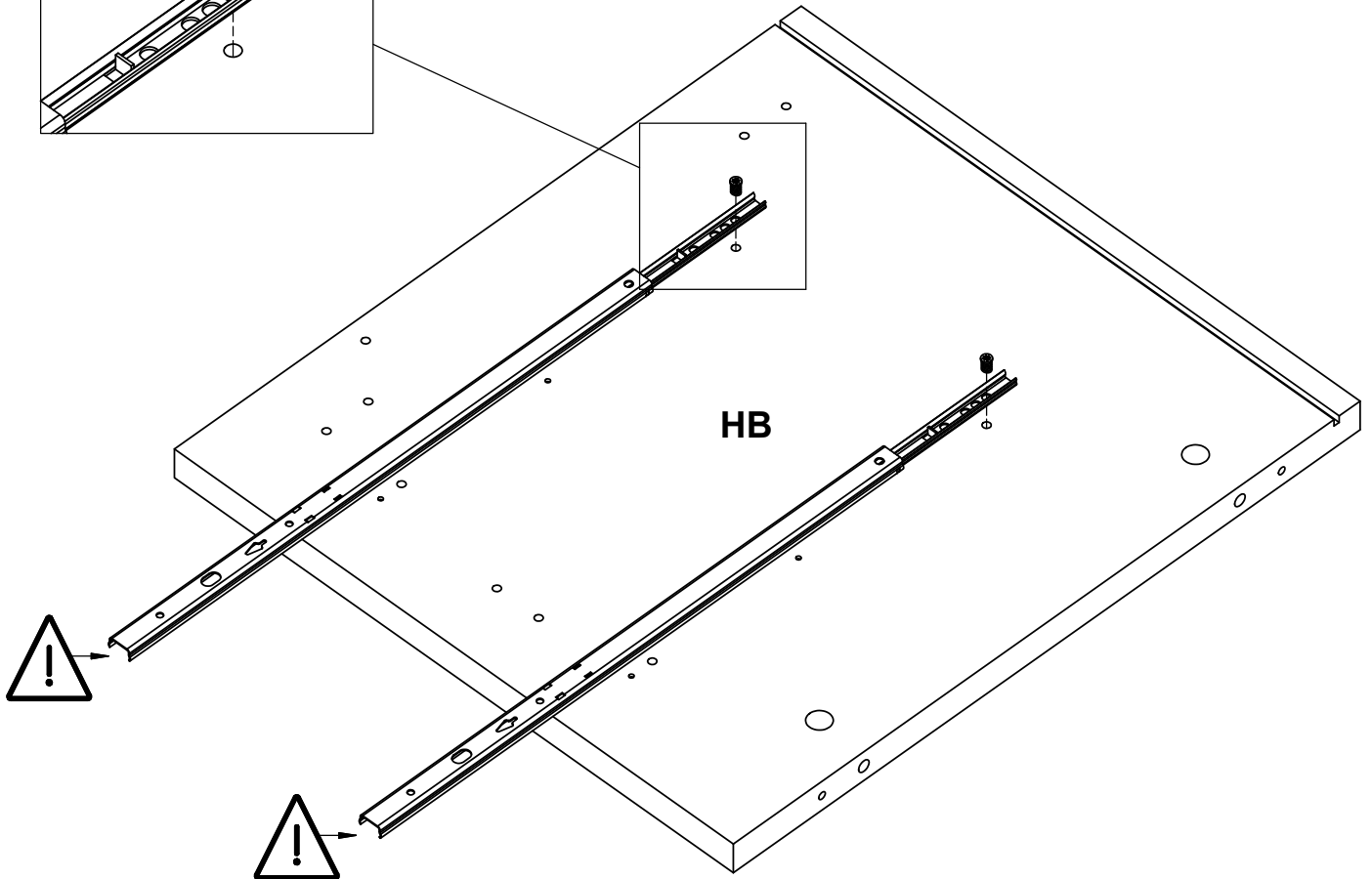
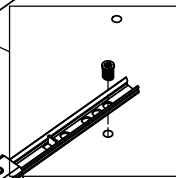
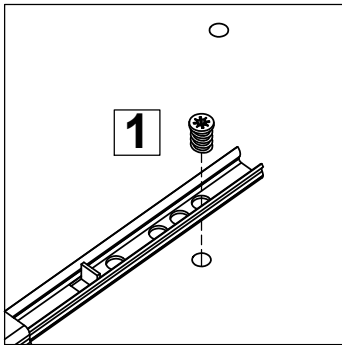
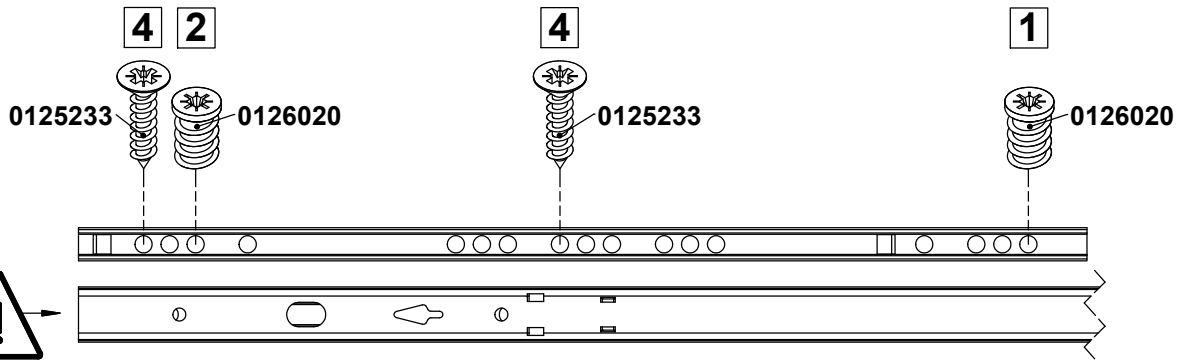
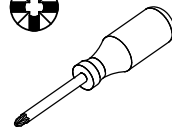
Ø0.23x0.35"
Ø5,8x9 mm

0141417

x2



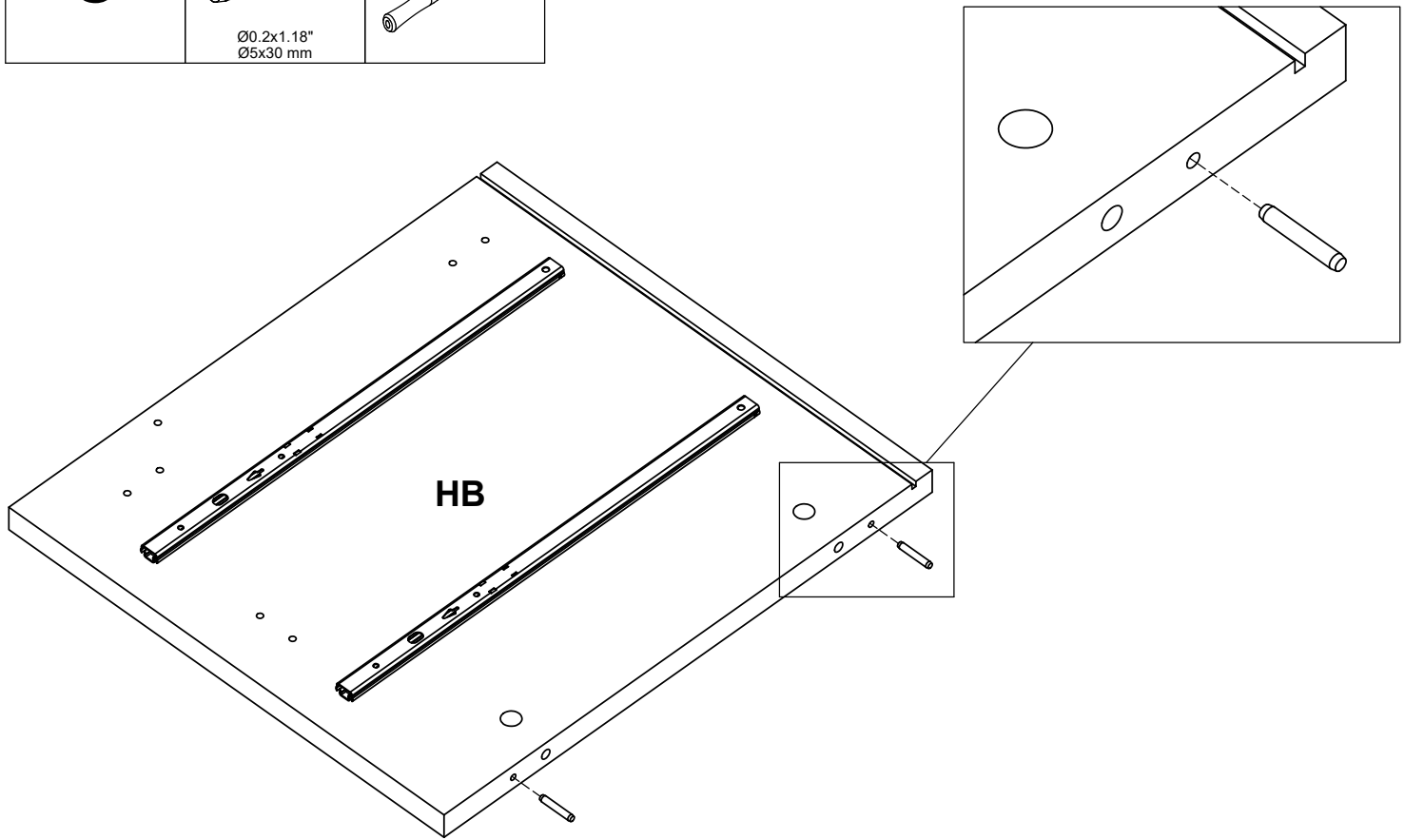
0.67x12.20/15.75"
17x310/400 mm



5

0120203 **x2**

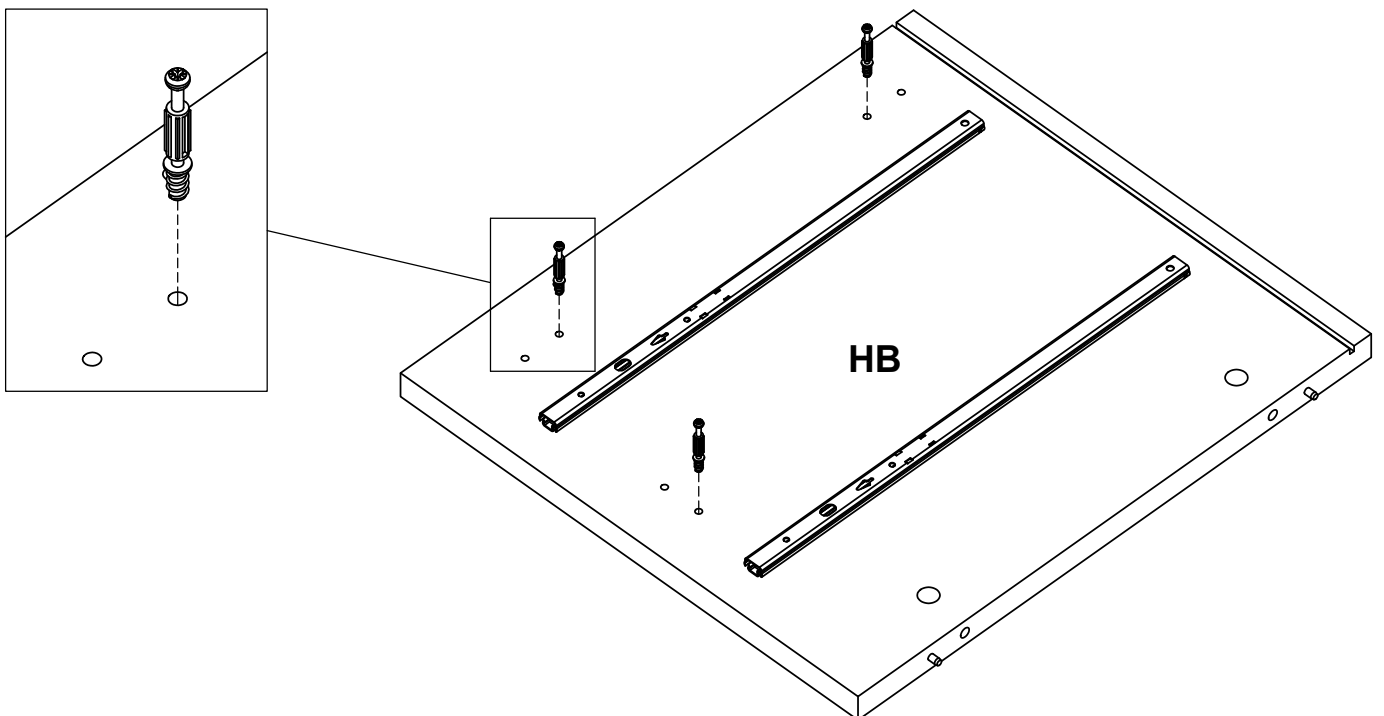
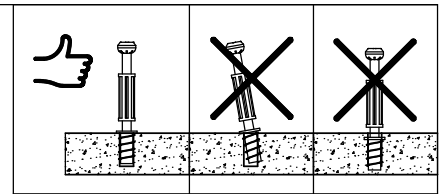
Ø0.2x1.18"
Ø5x30 mm



6

0131513 **x3**

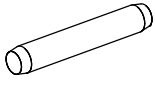
Ø0.30x1.77/1.34"
Ø7.5x45/34 mm



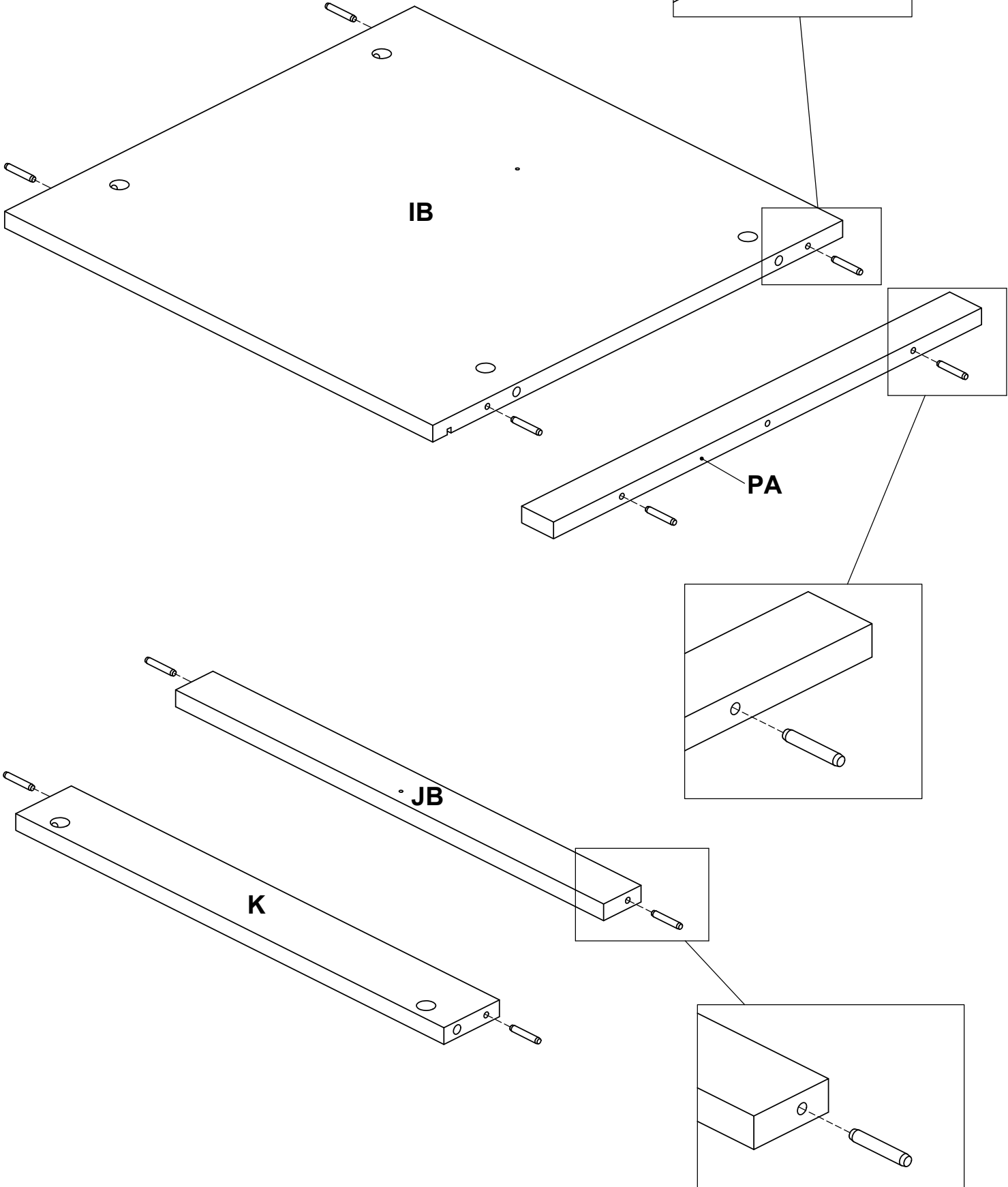
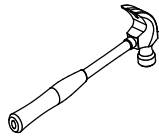
7

0120203

x10



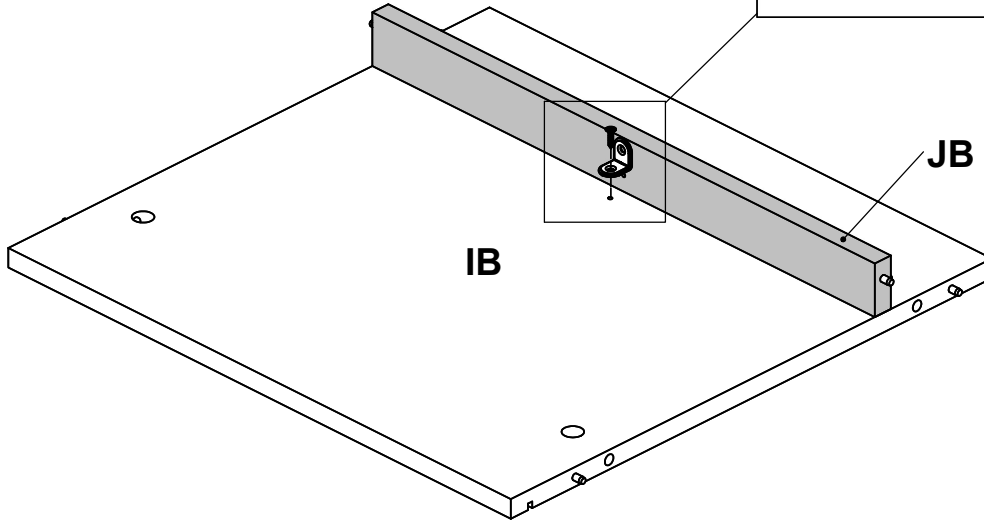
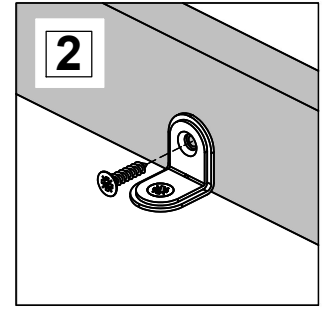
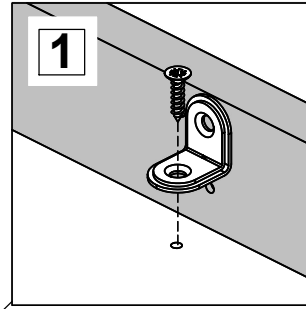
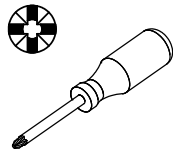
Ø0.2x1.18"
Ø5x30 mm



8

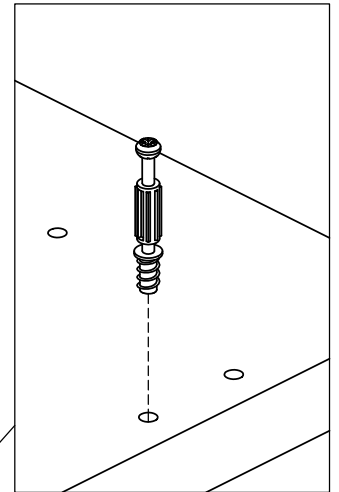
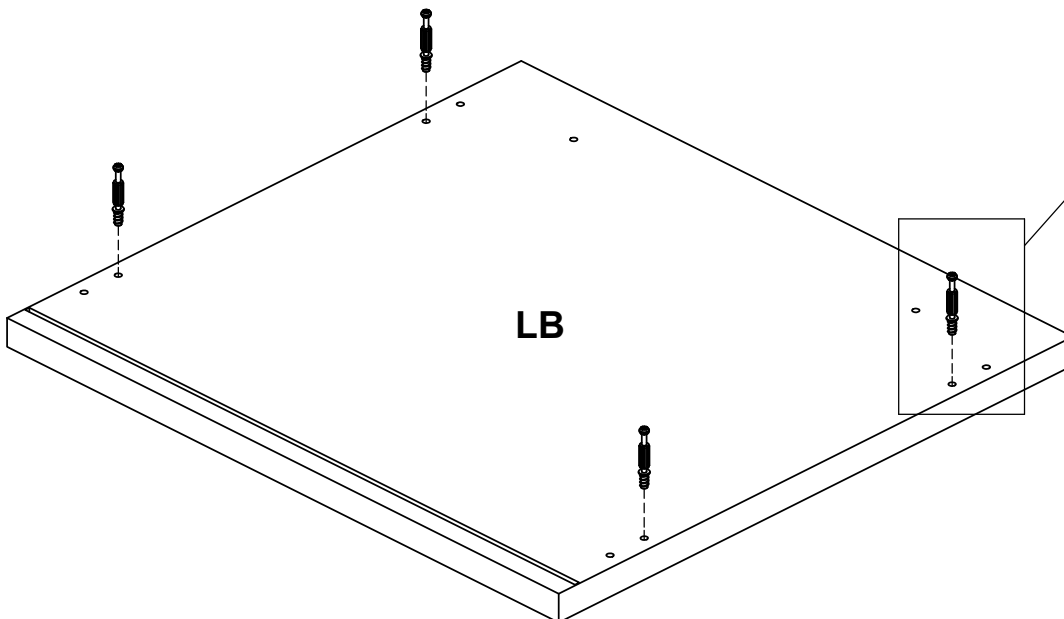
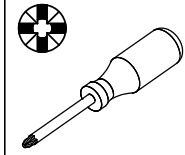
0113412 **x1**
0.79x0.79x0.63x0.08"
20x20x16x2 mm

0125233 **x2**
Ø0.14x0.59"
Ø3,5x15 mm



9

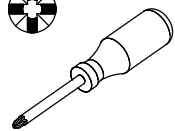
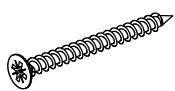
0131513 **x4**
Ø0.30x1.77/1.34"
Ø7,5x45/34 mm



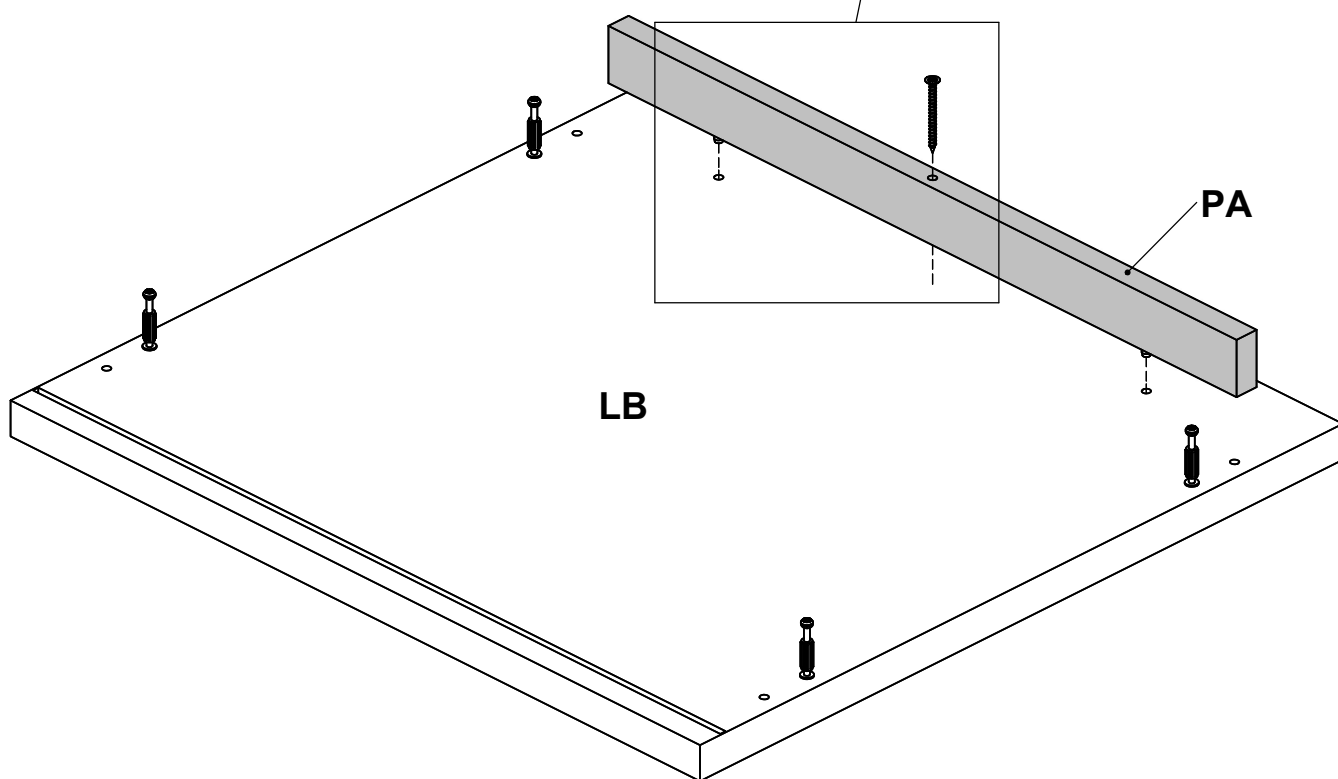
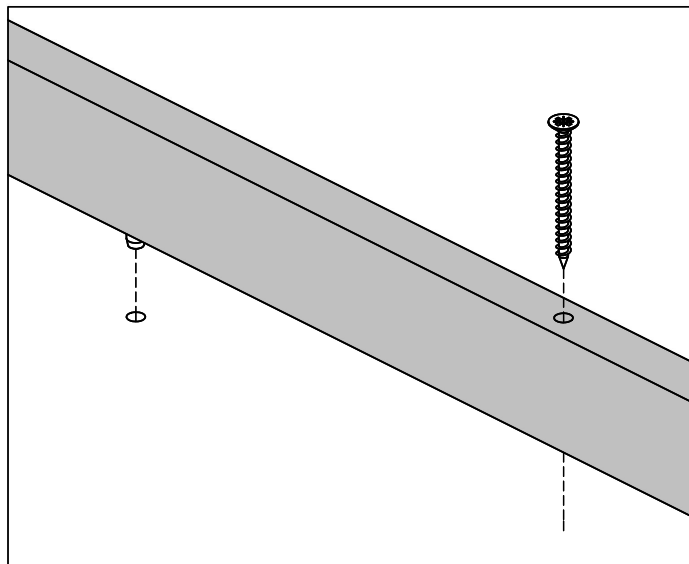
10

0125266

x1



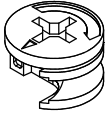
Ø0.16x1.77"
Ø4x45 mm



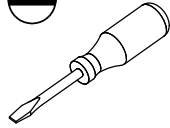
11

0131687

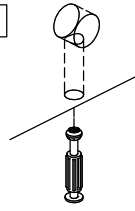
x6



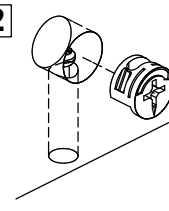
Ø0.59x0.37"
Ø15x9,5 mm



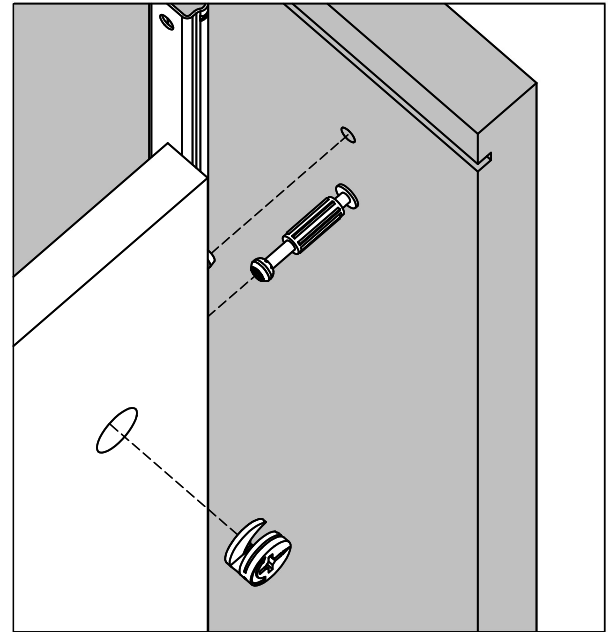
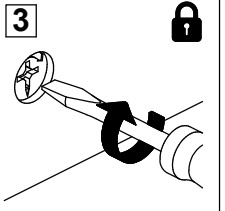
1



2



3



FA

IB

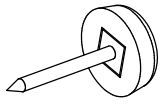
HB

JB

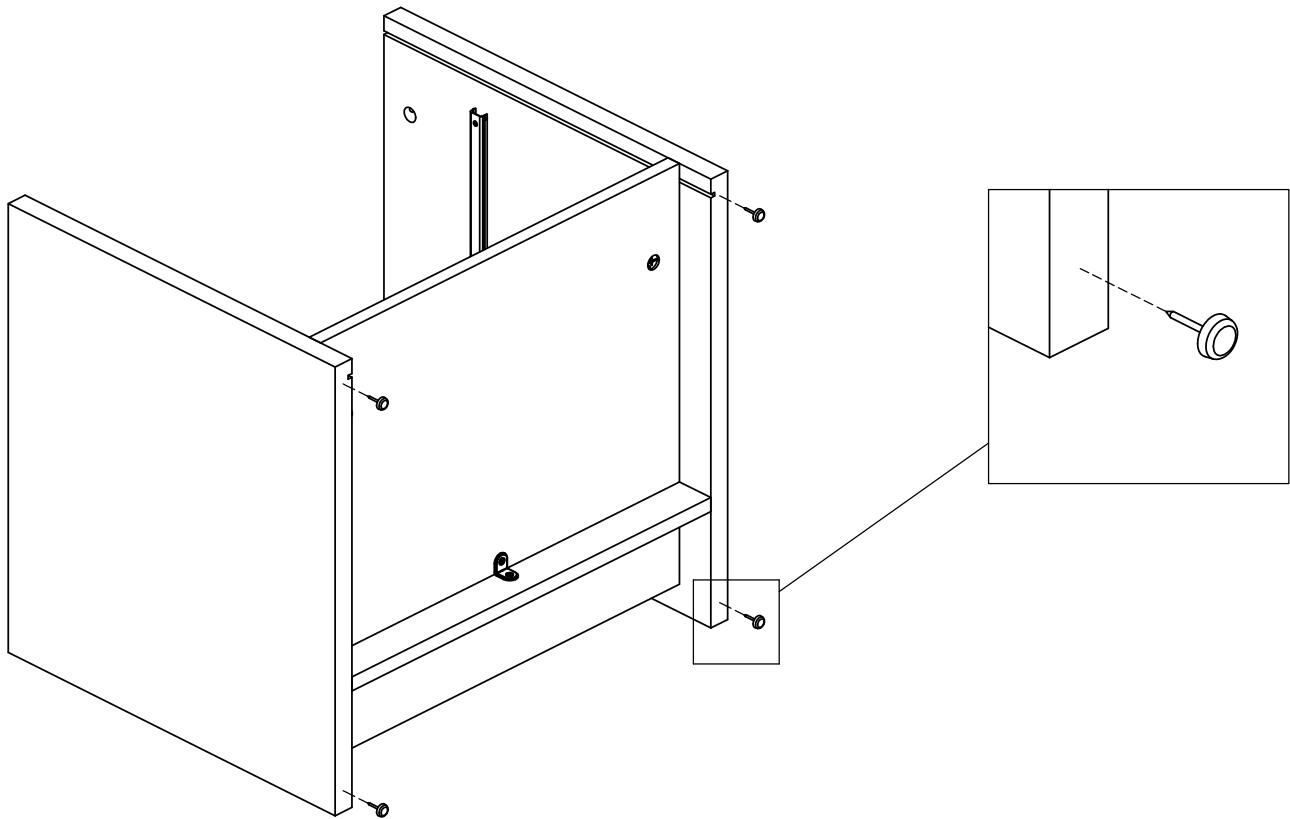
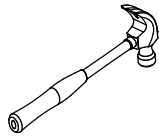
12

0163001

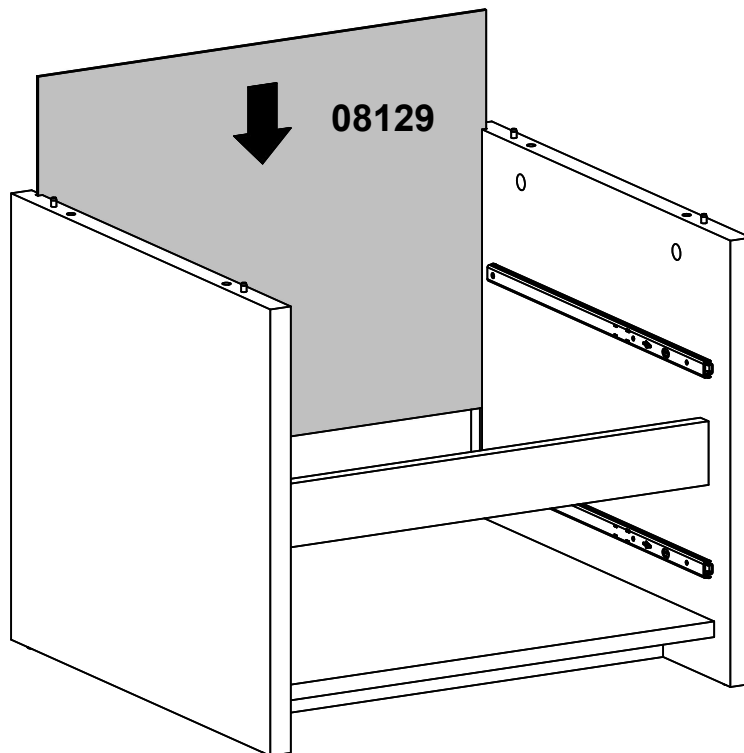
x4



Ø0.47x0.16"
Ø12x4 mm



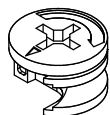
13



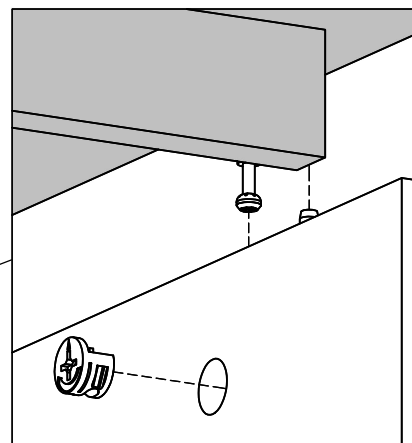
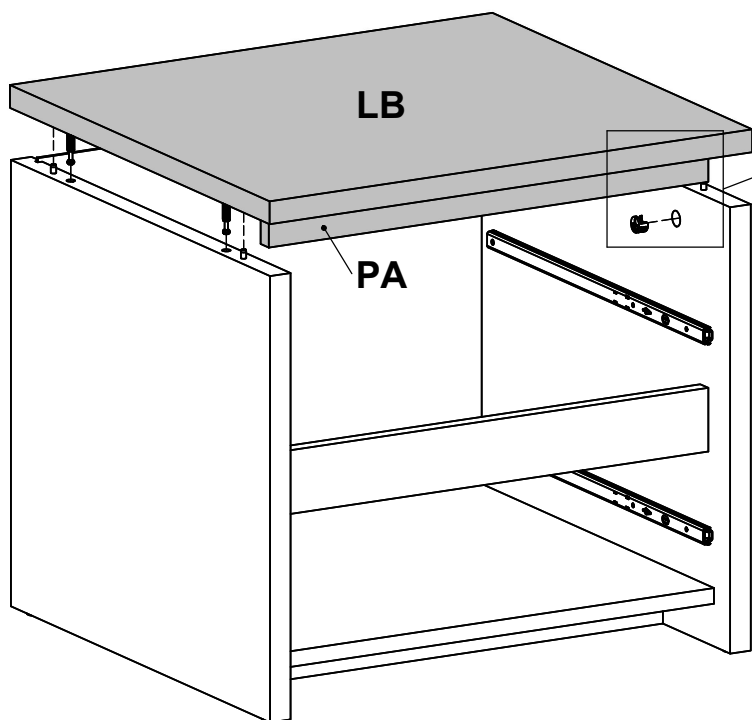
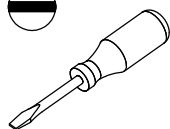
14

0131687

x4



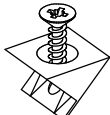
Ø0.59x0.37"
Ø15x9,5 mm



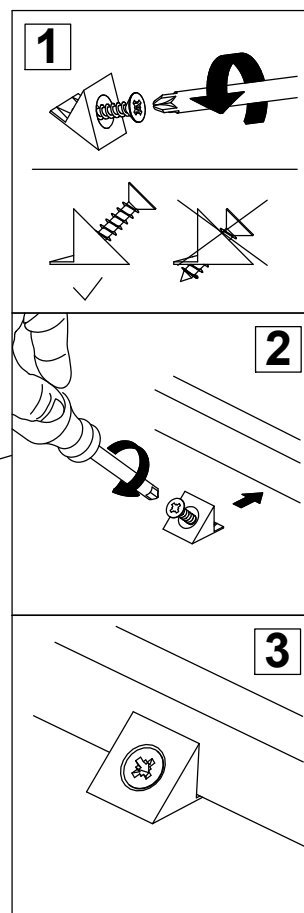
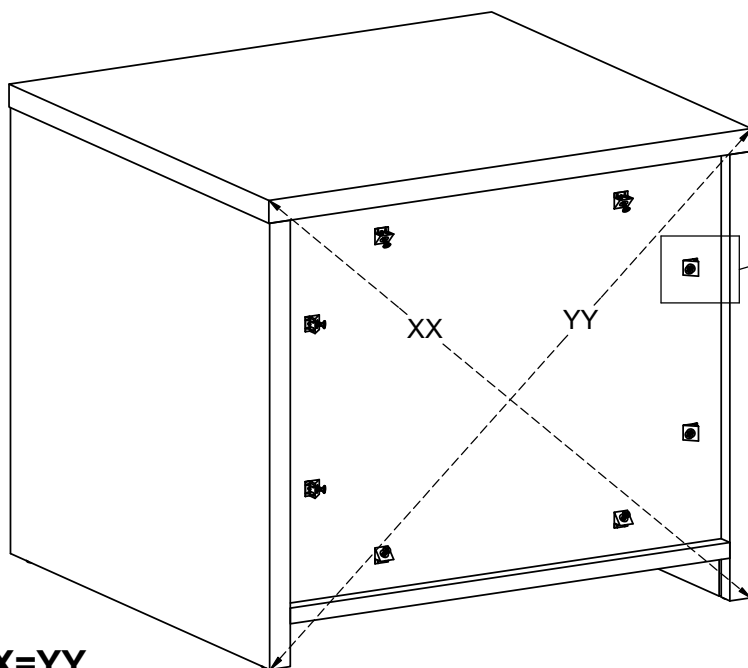
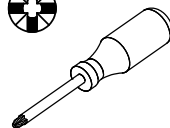
15

0110401

x8



0.59x0.55x0.39"
15x14x10 mm

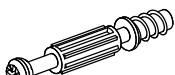


XX=YY

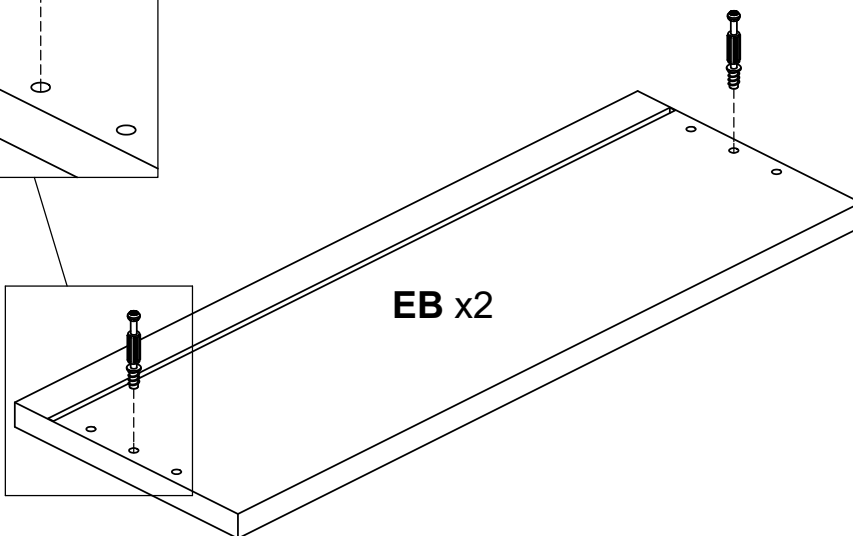
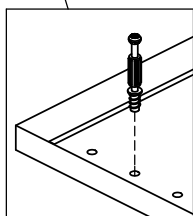
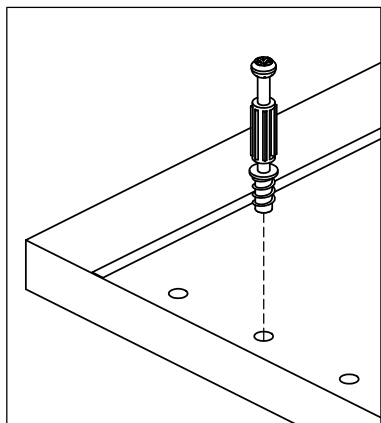
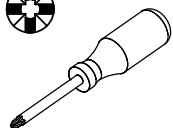
16

0131513

x4



Ø0.30x1.77/1.34"
Ø7,5x45/34 mm



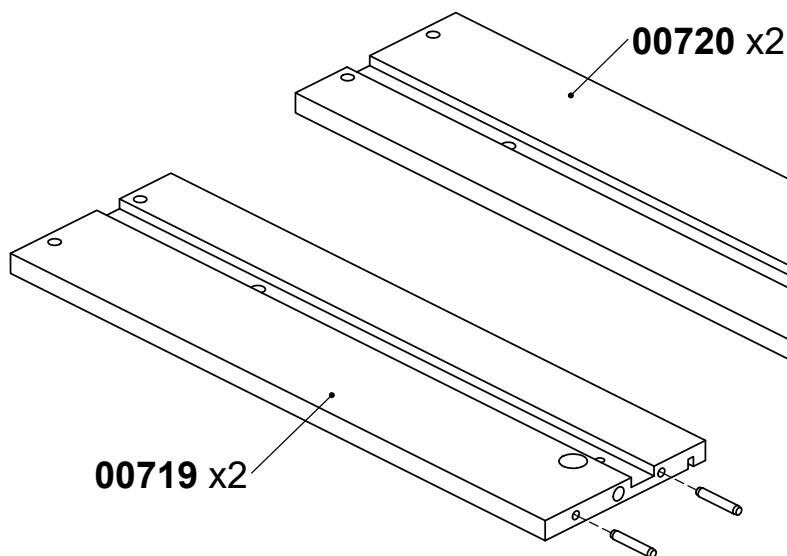
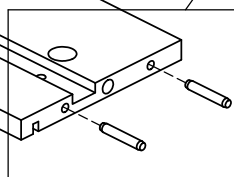
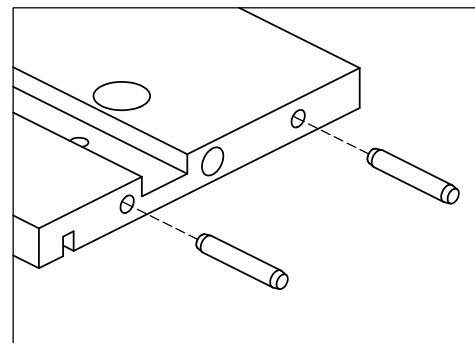
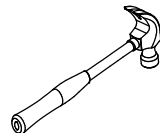
17

0120203

x8



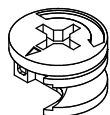
Ø0.2x1.18"
Ø5x30 mm



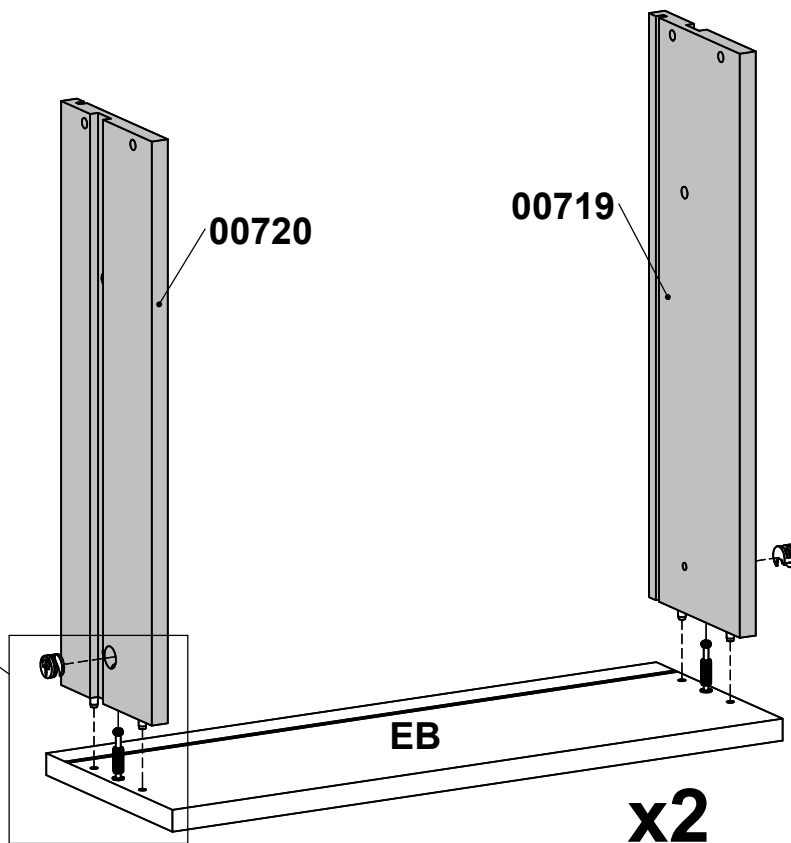
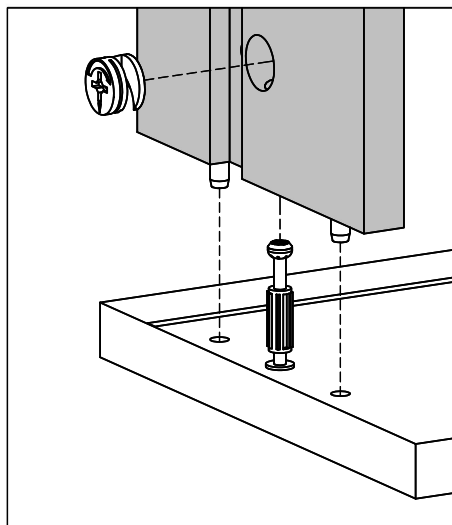
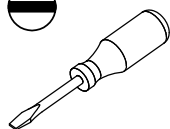
18

0131687

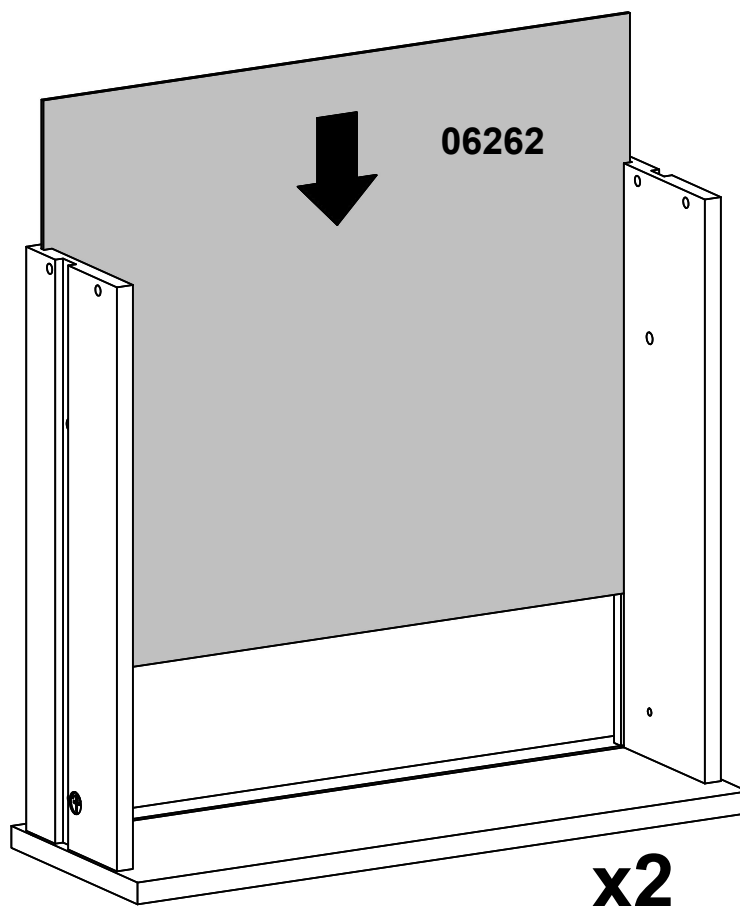
x4



Ø0.59x0.37"
Ø15x9,5 mm



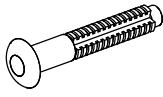
19



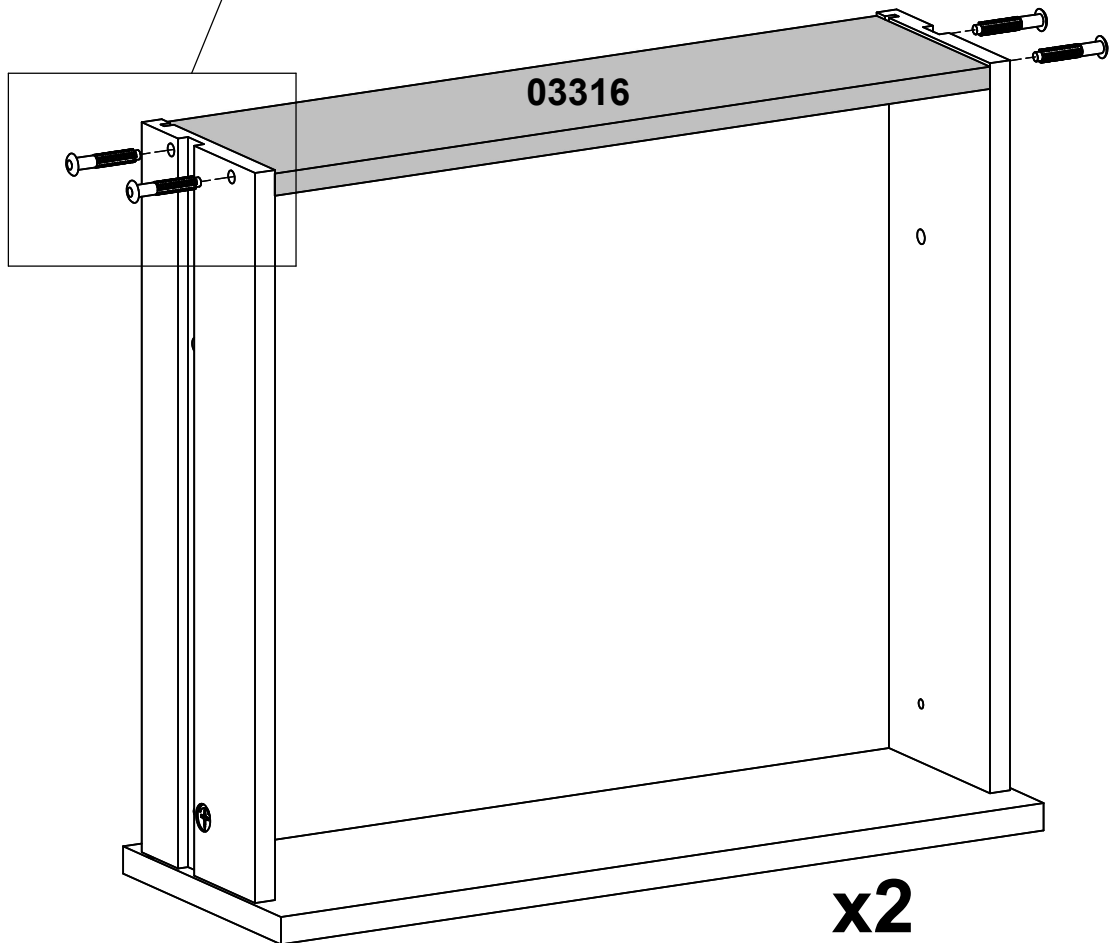
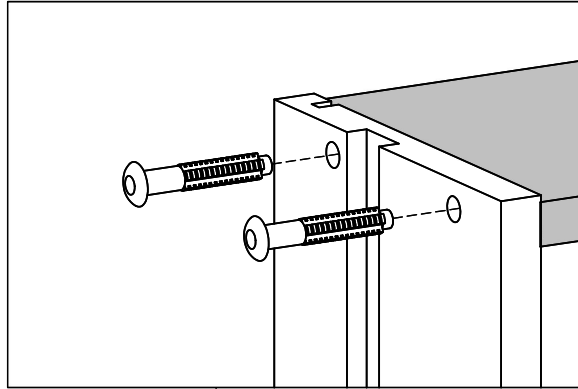
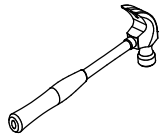
20

0120228

x8



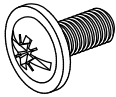
Ø0.25x1.57"
Ø6,3x40 mm



21

0126214

x4



M4x0.35"
M4x9 mm

