
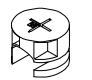
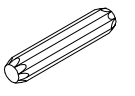


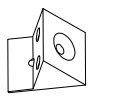
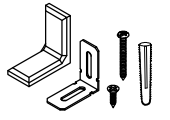
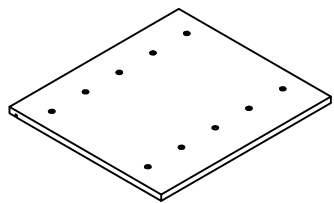


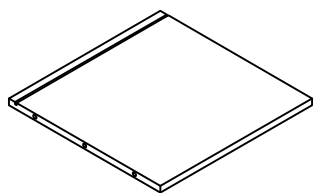
<p>A</p>  <p>16PCS</p>	<p>B</p>  <p>16PCS</p>	<p>C</p> <p>8*40</p>  <p>4PCS</p>	<p>D</p> <p>3*25</p>  <p>20PCS</p>	<p>E</p> <p>3*12</p>  <p>4PCS</p>	<p>F</p>  <p>4PCS</p>	<p>G</p>  <p>2PCS</p>
---	---	--	---	---	--	--

1



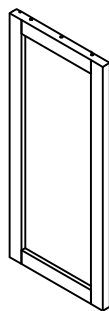
452\*405 1PCS

2



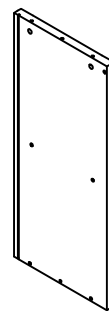
390\*390 1PCS

3



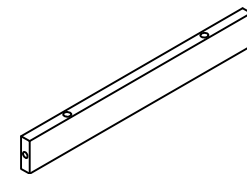
885\*390 1PCS

4



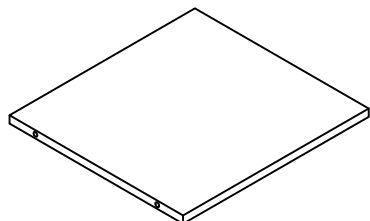
885\*390 1PCS

5



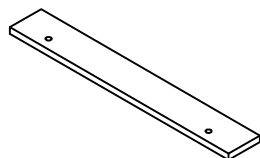
390\*50 1PCS

6



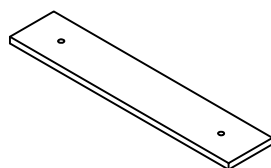
390\*365 1PCS

7



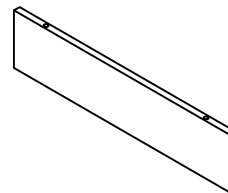
350\*50 2PCS

8



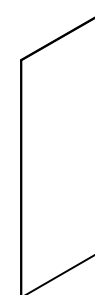
350\*70 3PCS

9



350\*80 5PCS

10



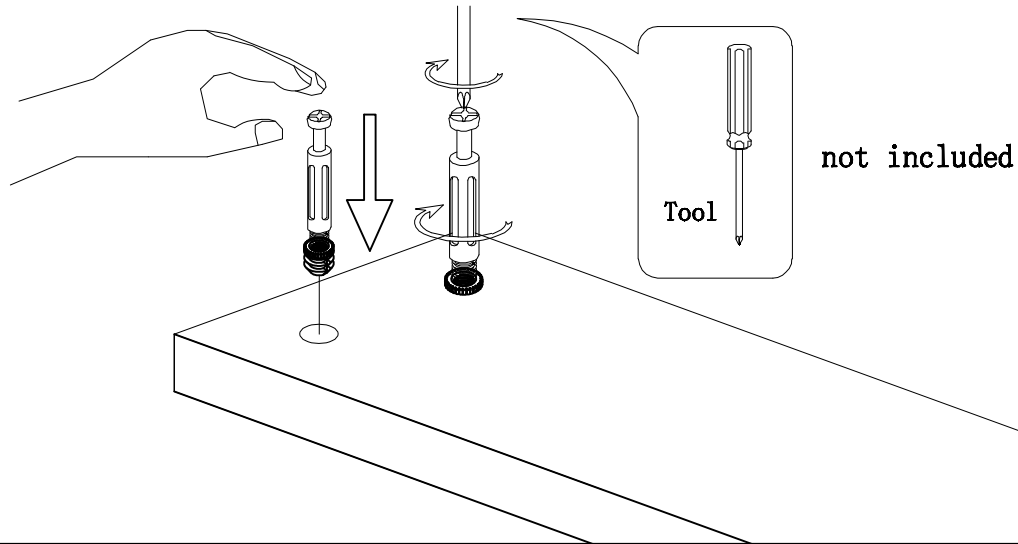
879\*400 1PCS



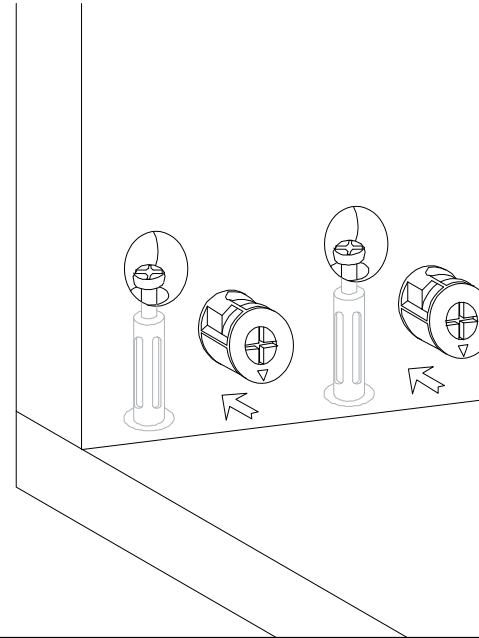
# Hardware installation demonstration

NOTE: Please make sure "A" hardware tightened and can't be pulled out!

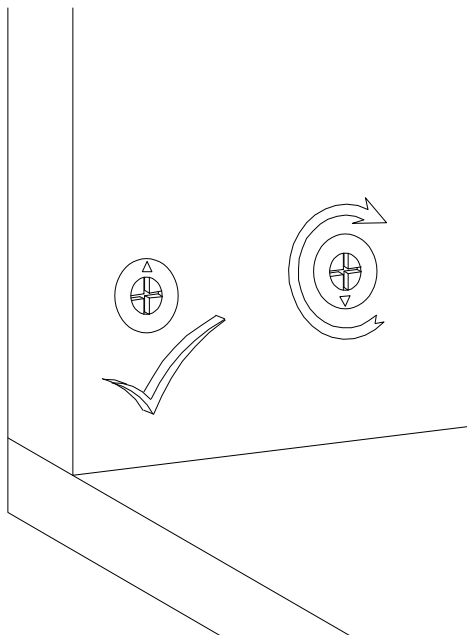
I



II

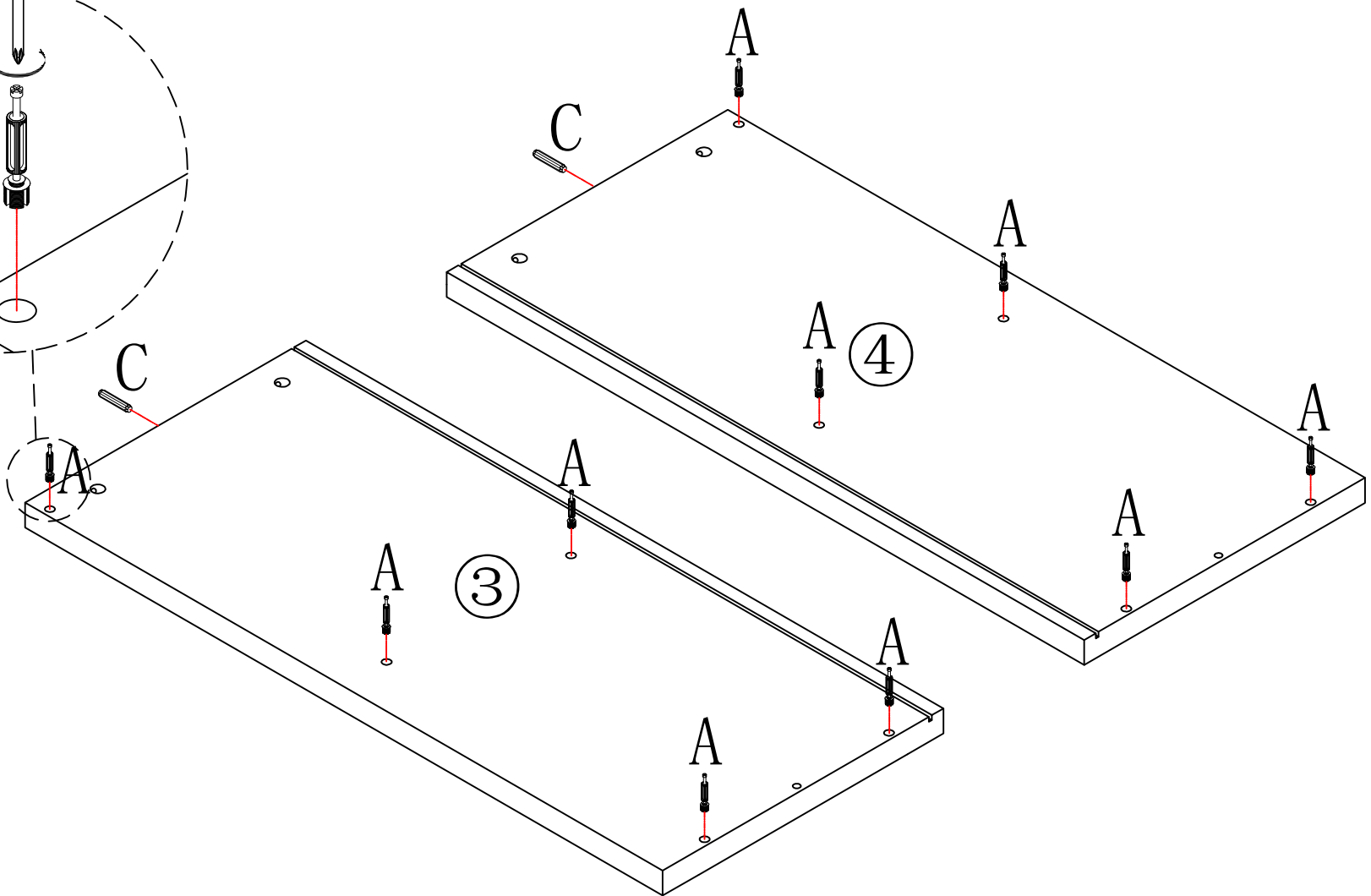
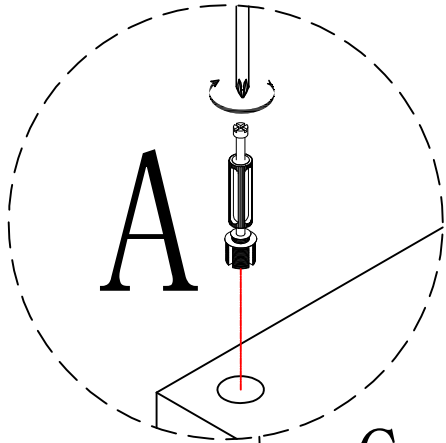



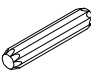
III



IV

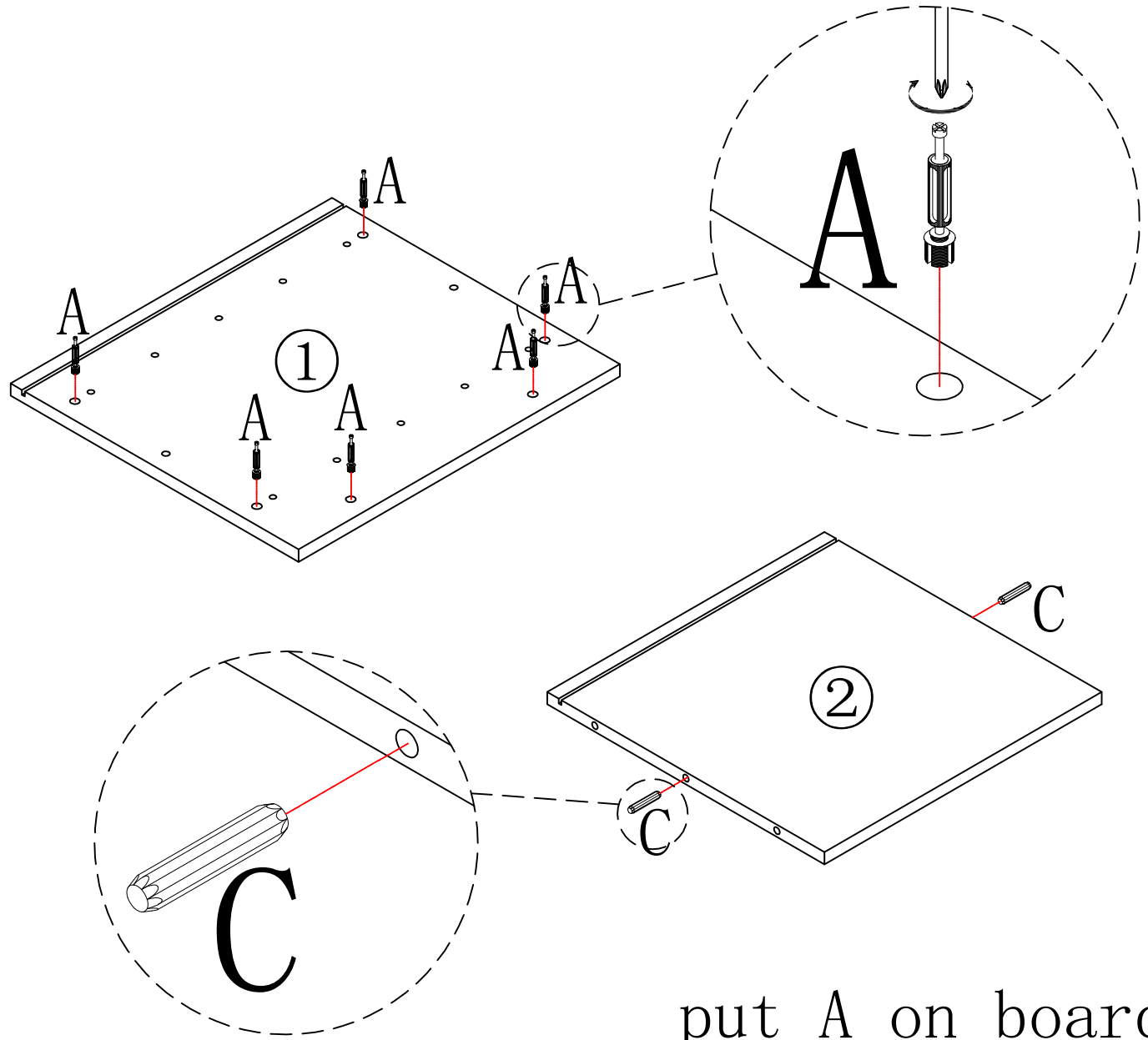
①



	A*10
	C*2


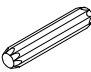
put A on board ③ ④  
put C on board ③ ④

2

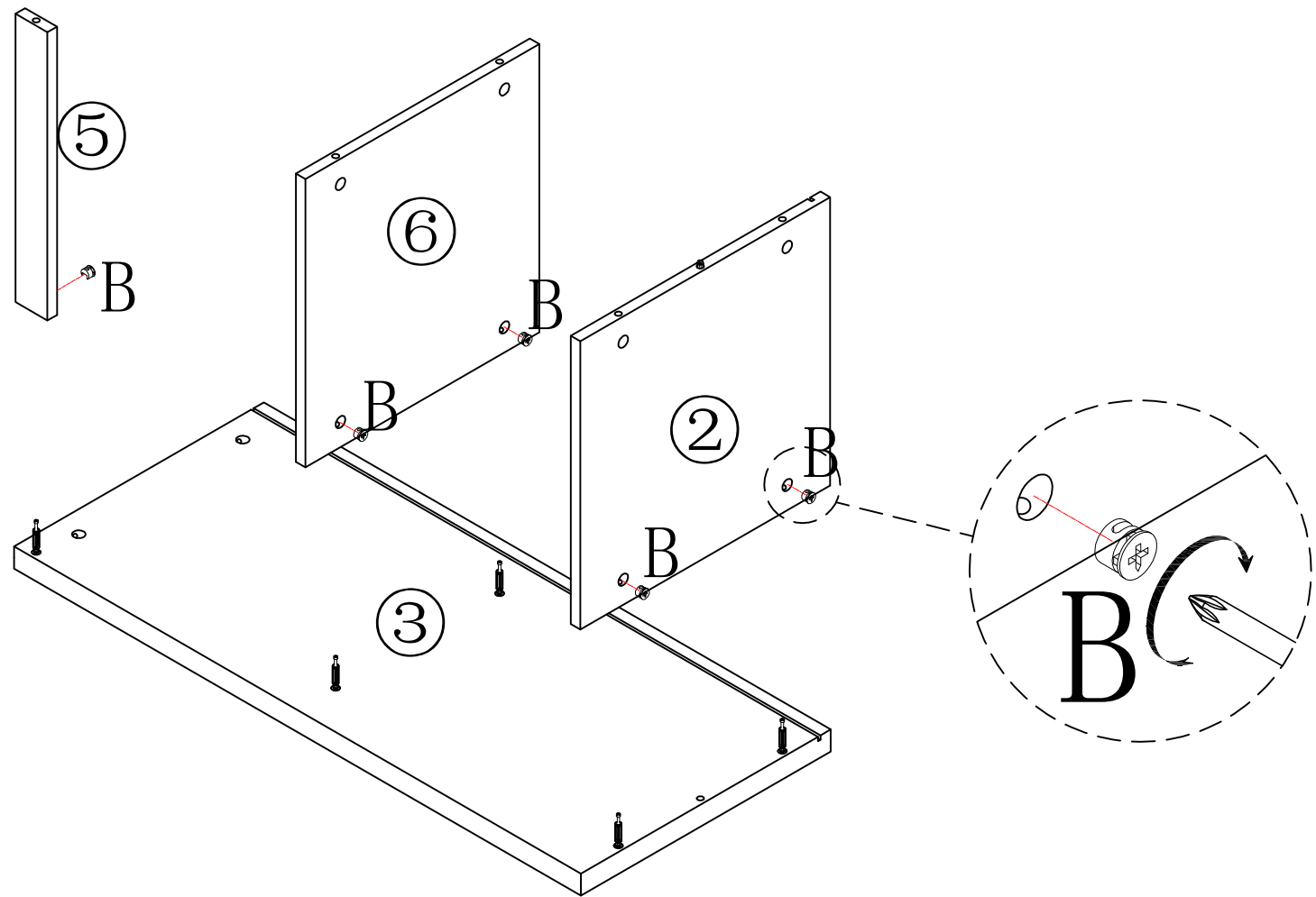


put A on board ①

put C on board ②

	A*6
	C*2

③



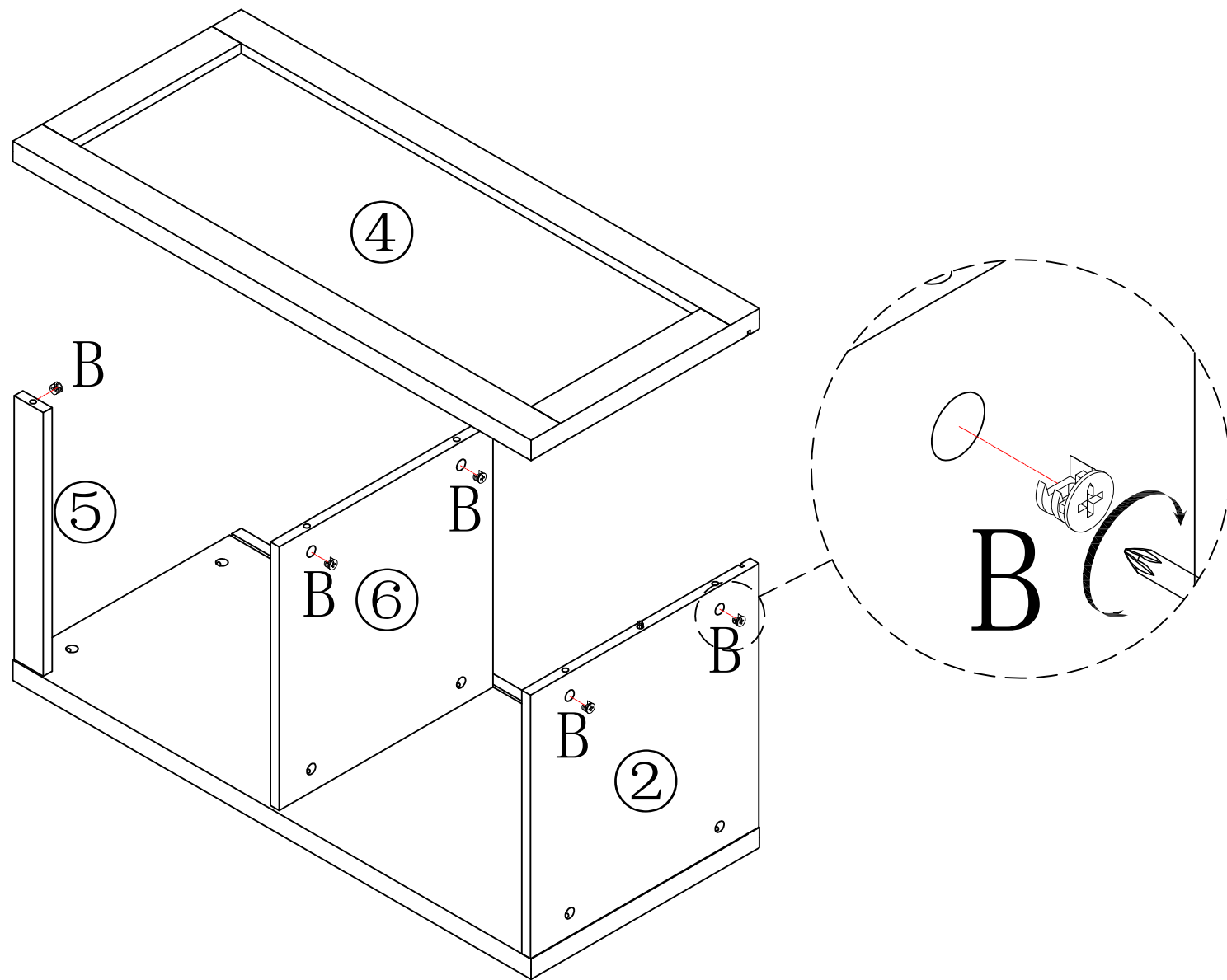
Make sure the arrow on the screw align to the hole on the side.

put B on board ② ⑤ ⑥



B\*5

4

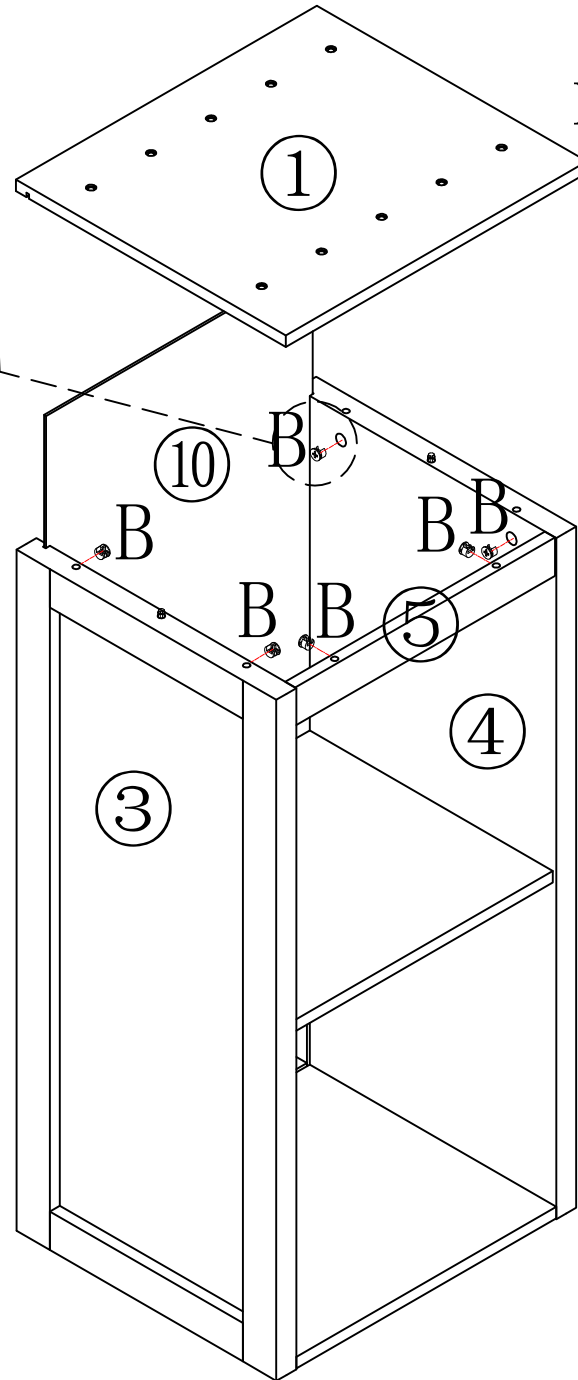
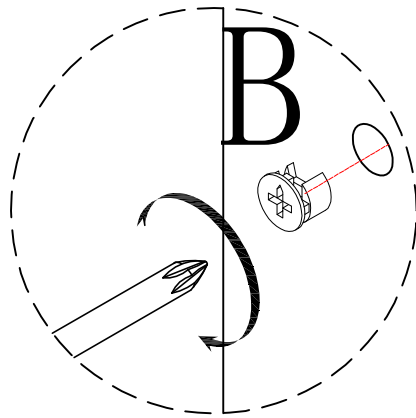


B\*5

put B on board ② ⑤ ⑥

5

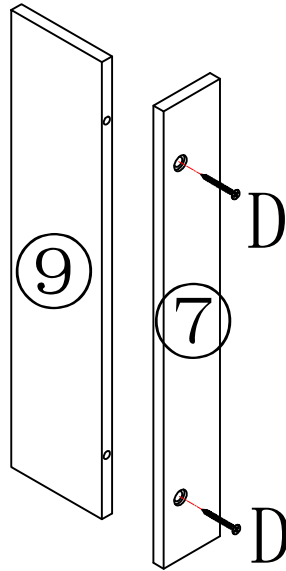
put B on board ③ ④ ⑤



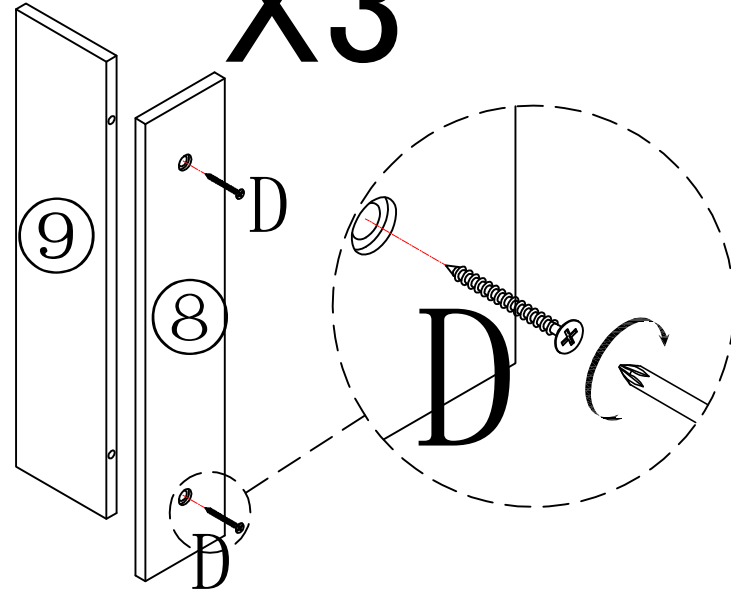
B\*6

⑥

X2

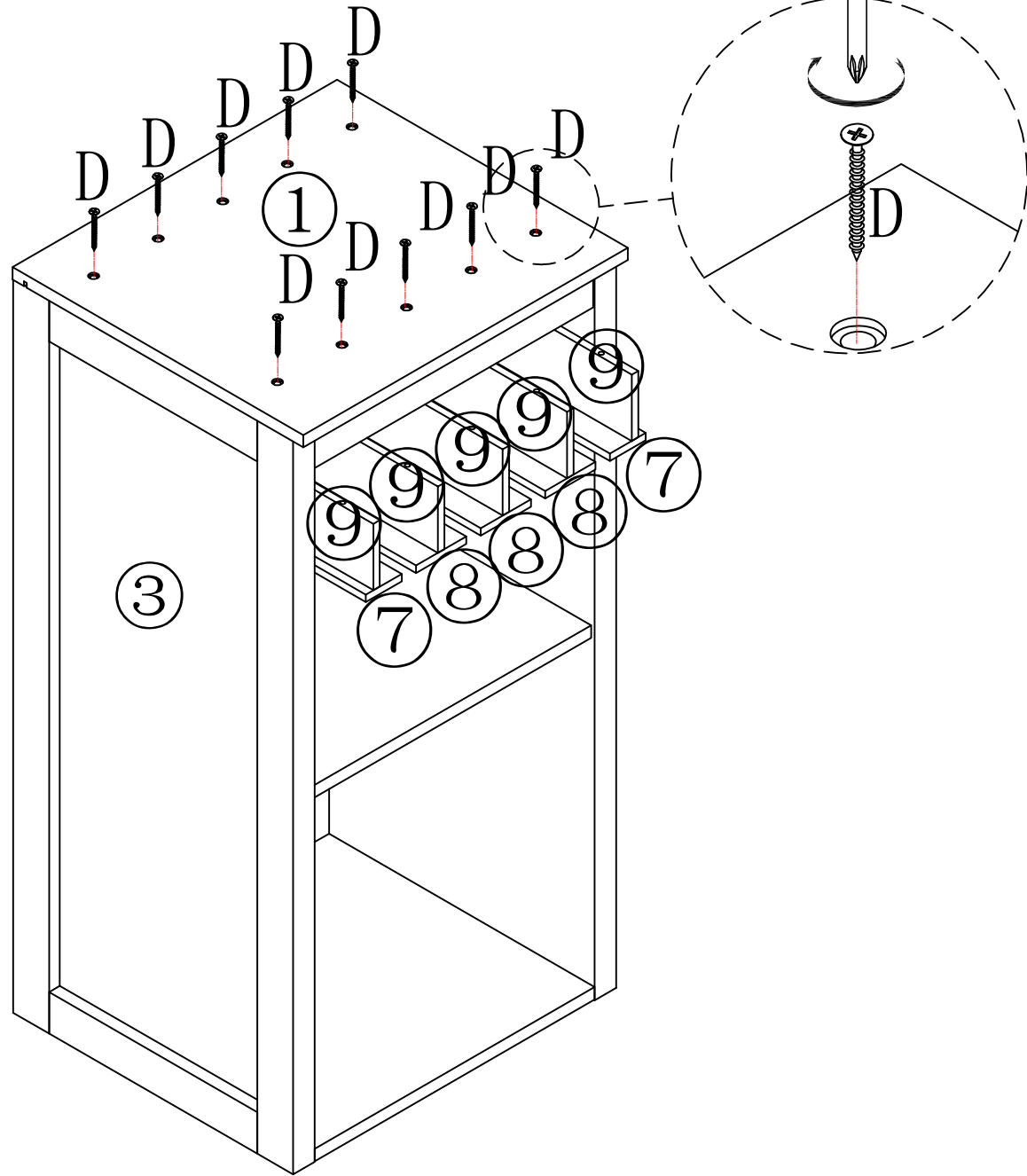


X3



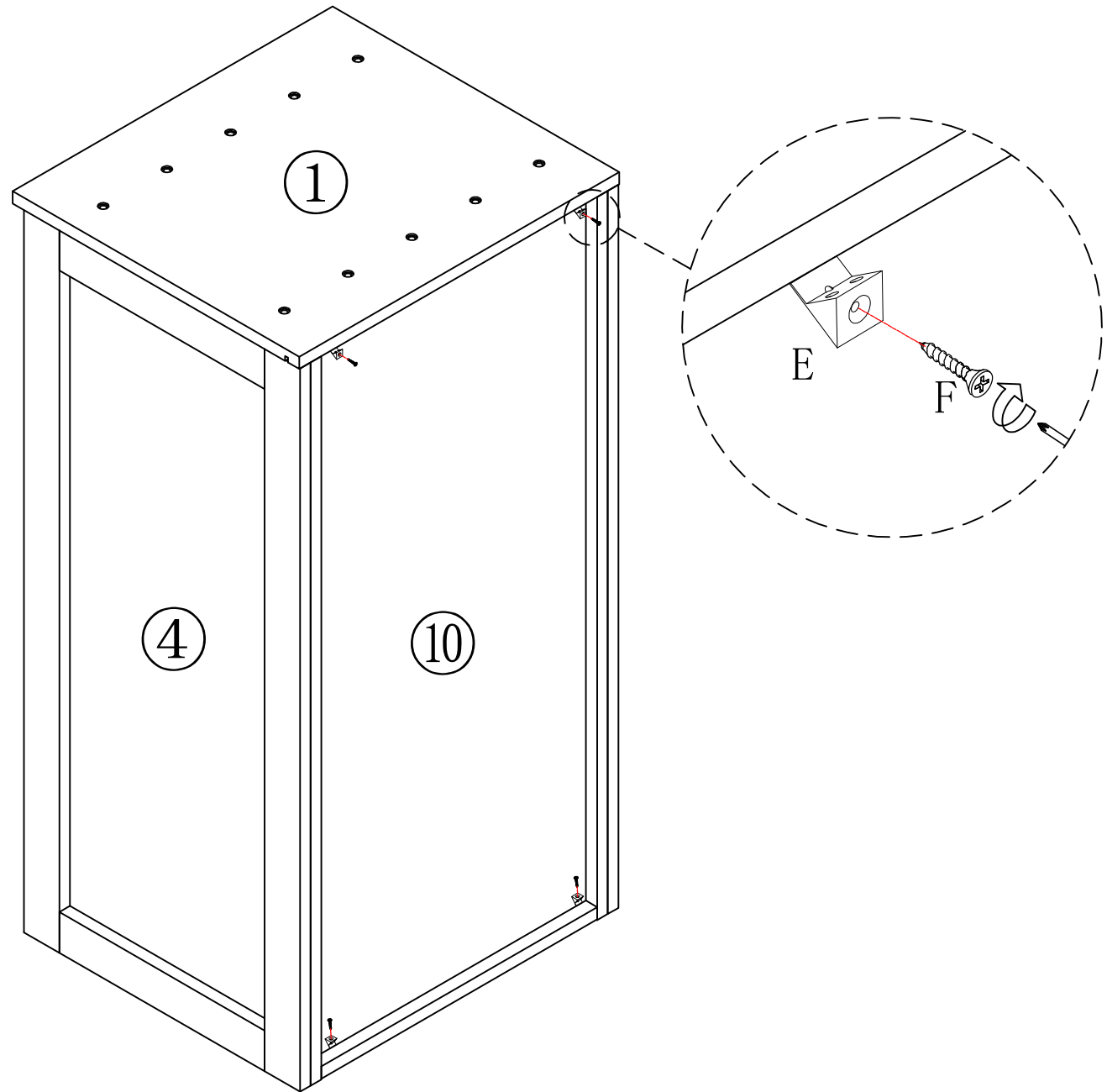
D\*10


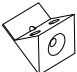
7



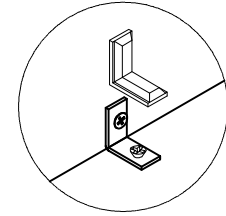
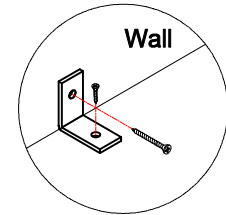
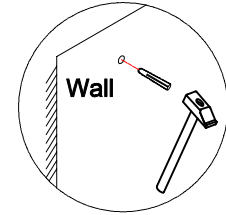
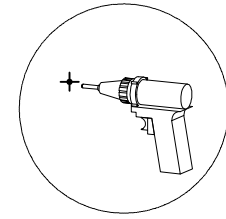
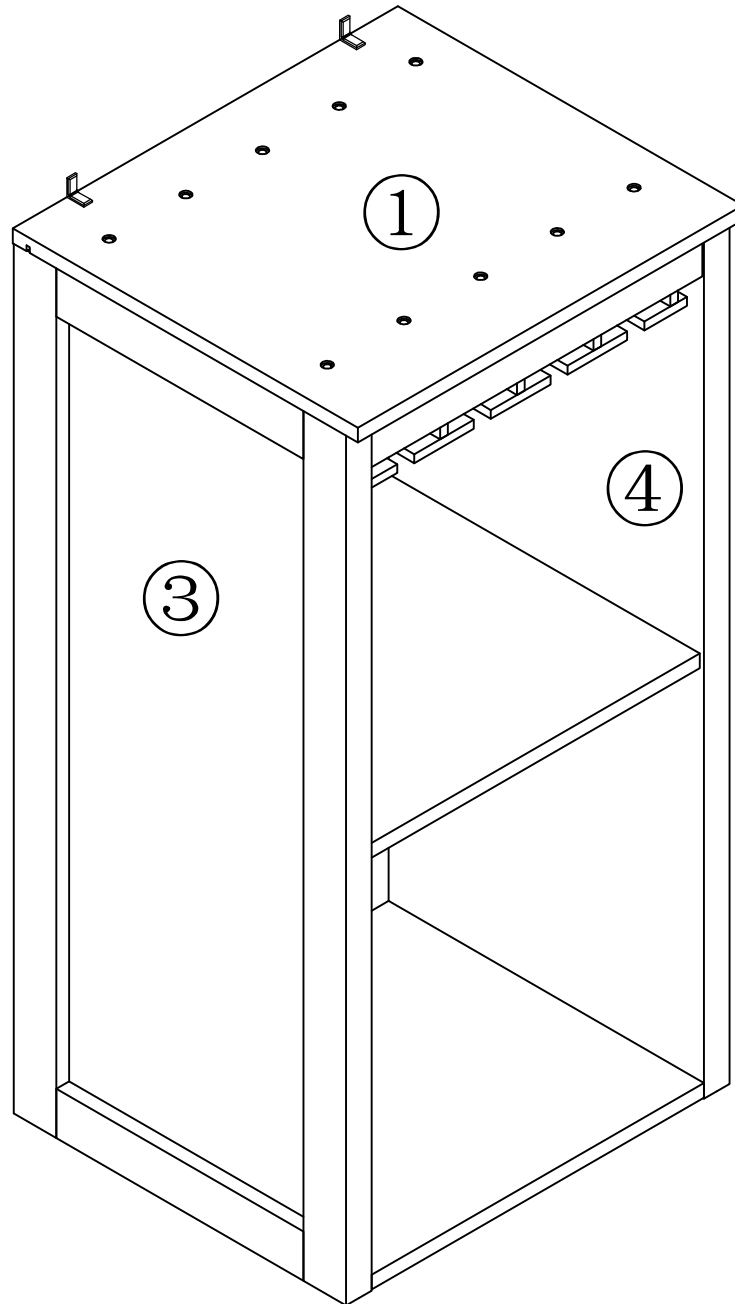
D\*10

8



	E*4
	F*4

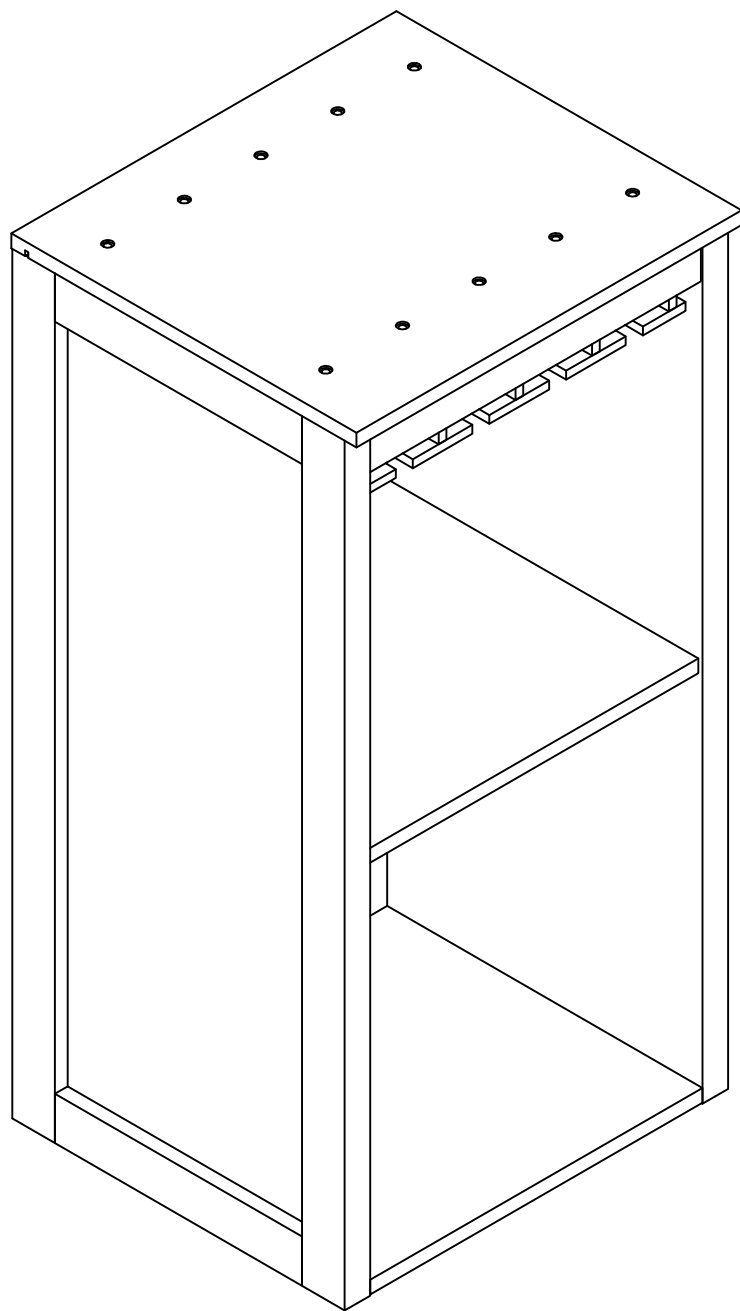
9



Please install tip-proof fitting.



G\*2



END