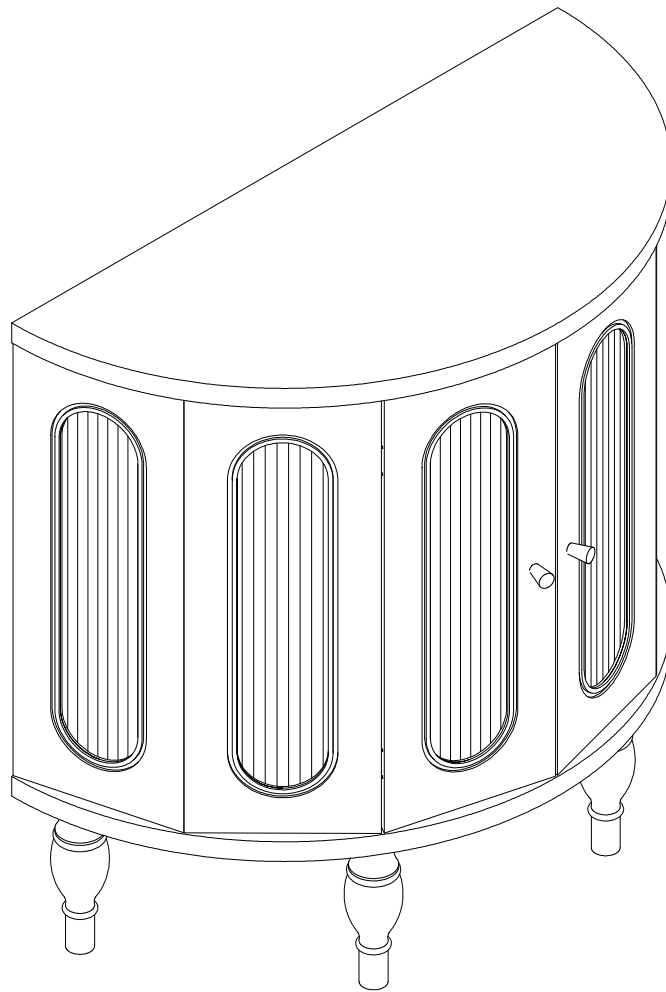


Assembly Instructions

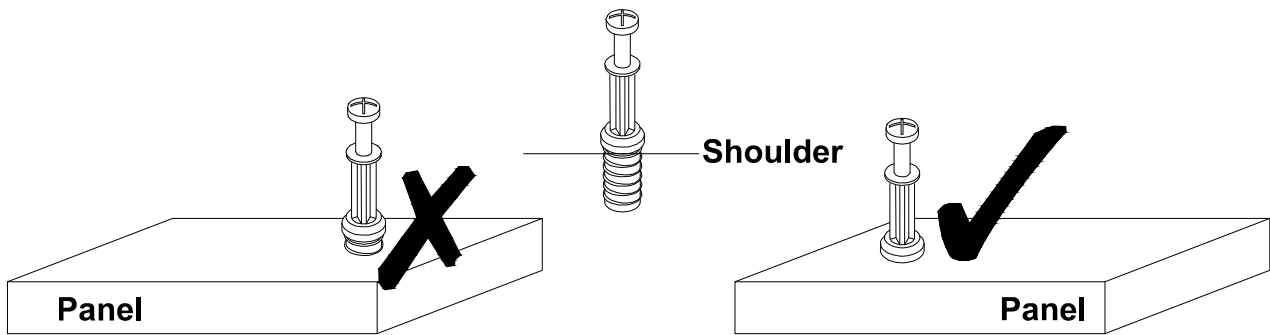


Before Assembly

Tips Before Your Start:

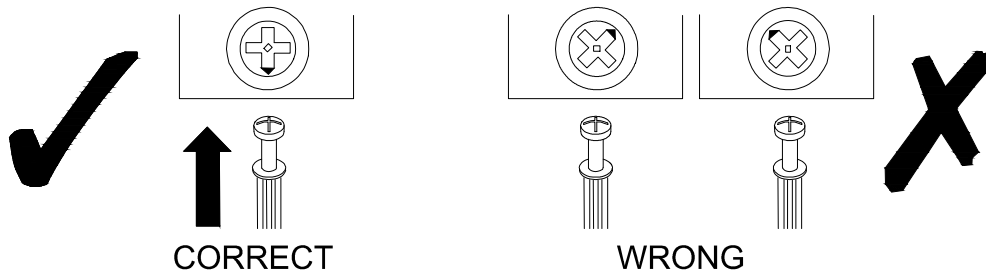
- Remove all wrapping material, including staples & packing straps before you start to assemble.
- DO NOT tighten all screws and bolts until the assembly is completely assembled.
- Keep all hardware parts out of reach of children.

QUICKFIT



Tighten quickfit until shoulder is flush with panel. Do not overtighten or undertighten.

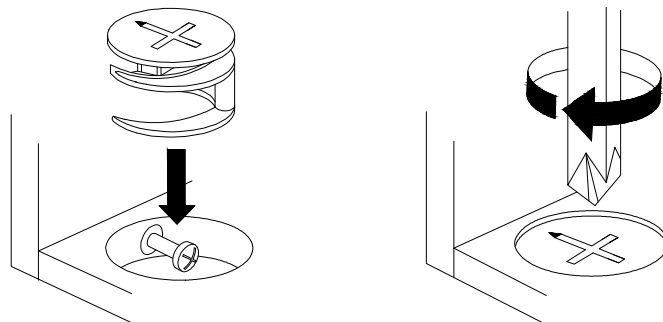
CAM LOCK



When fitting a cam lock, ensure the starting position is correct before inserting the connecting QUI CKFIT





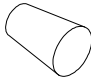
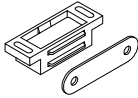
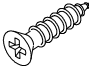
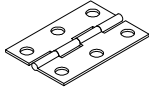

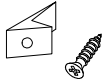
Quickfit head should be in the centre of the cam lock when the two panels are joined.

Cam lock should be inserted before quickfit.

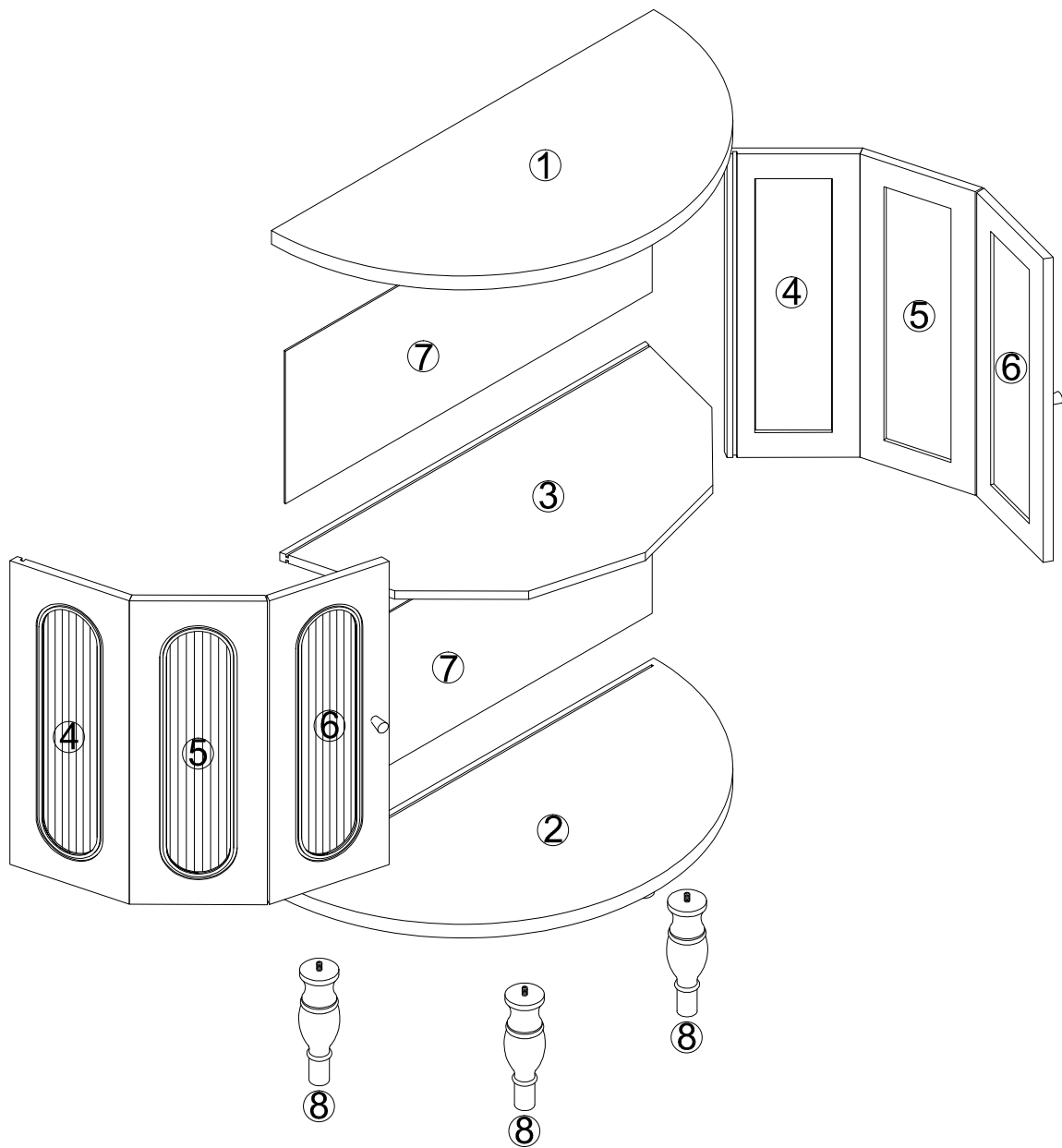


Turn cam lock clockwise to tighten.

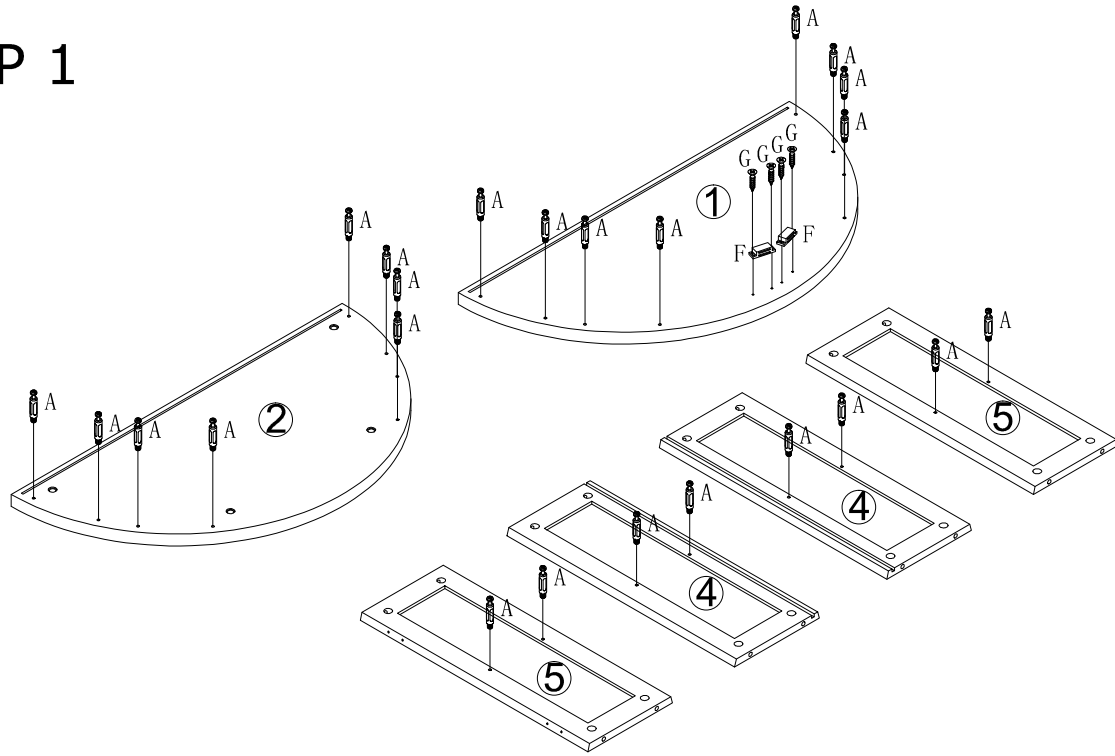
Part List

<p>No. A Quantity: 24 Pcs Cam Lock Dowel 8*28mm</p> 	<p>No. B Quantity: 24 Pcs Cam φ15</p> 	<p>No. C Quantity: 24 Pcs Sticker Ø20</p> 	<p>No. D Quantity: 2 Pcs Screw M4*20mm</p> 
<p>No. E Quantity: 2 Pcs Handle</p> 	<p>No. F Quantity: 2 Sets Magnetic Door Catcher</p> 	<p>No. G Quantity: 32 Pcs Screw 3*14mm</p> 	<p>No. H Quantity: 4 Pcs Hinge 44*32*3mm</p> 
<p>No. I Quantity: 4 Pcs Slip Mat Ø20</p> 	<p>No. J Quantity: 8 Pcs Plastic Wedge</p> 		

Product structure



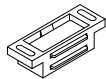
STEP 1



No. A
Quantity: 24 Pcs
8*28 mm



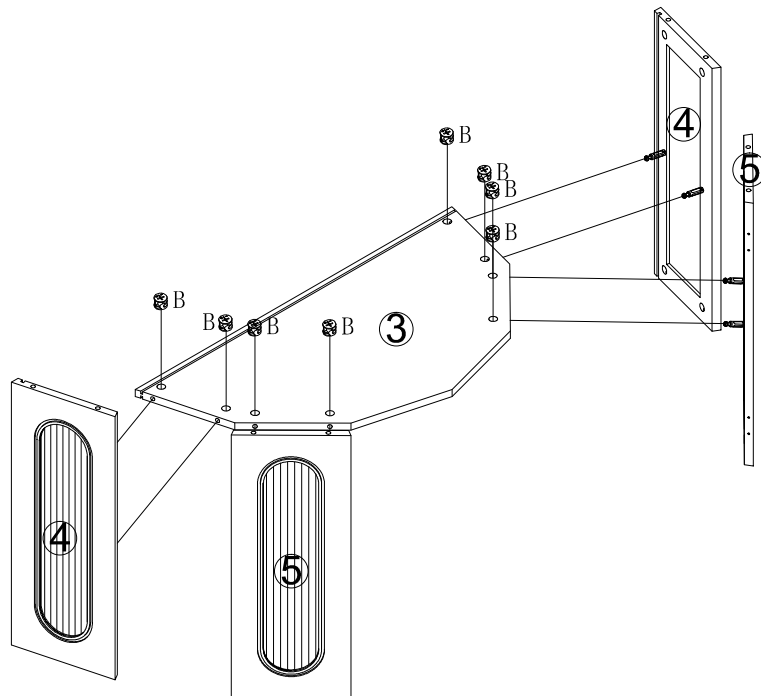
No. F
Quantity: 2 Pcs



No. G
Quantity: 4 Pcs
3*14mm



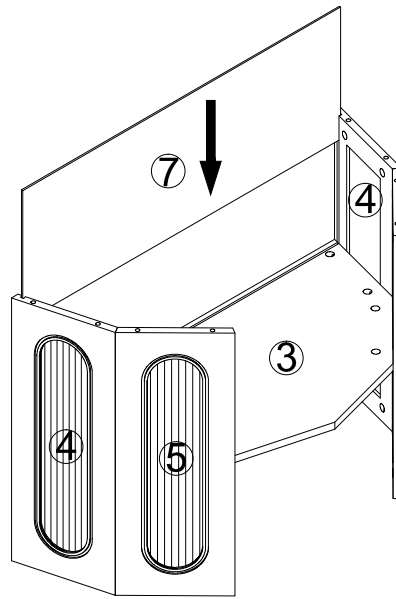
STEP 2



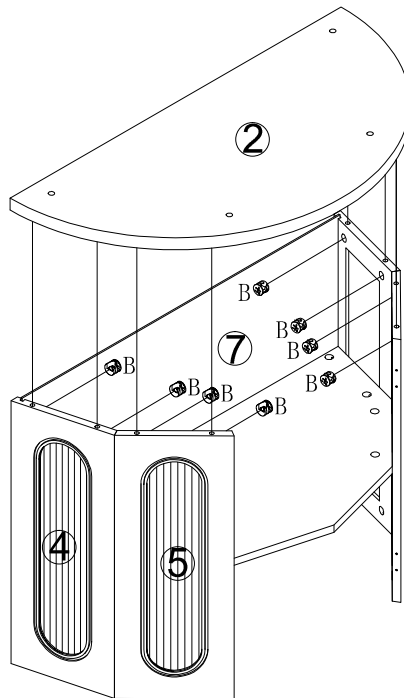
No. B
Quantity: 8 Pcs
Ø15



STEP 3



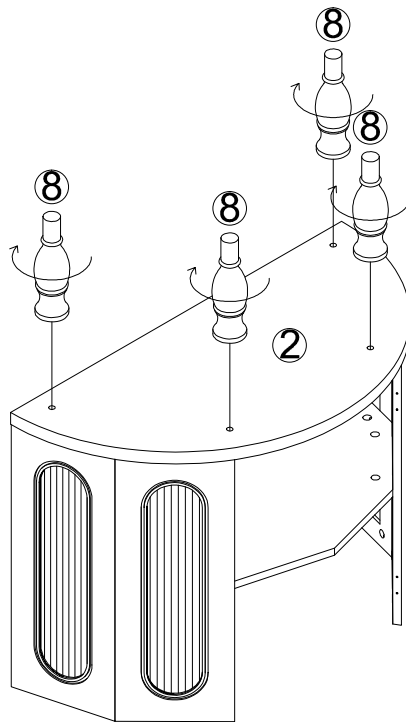
STEP 4



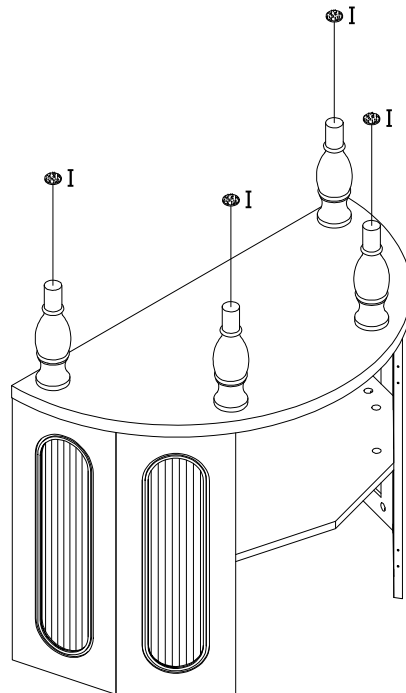
No. B
Quantity: 8 Pcs
Ø15



STEP 5



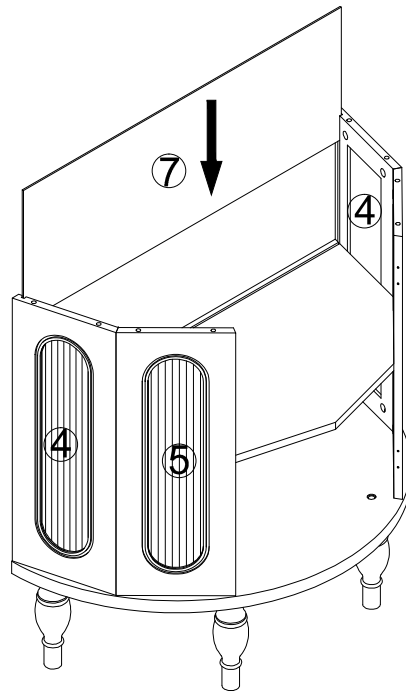
STEP 6



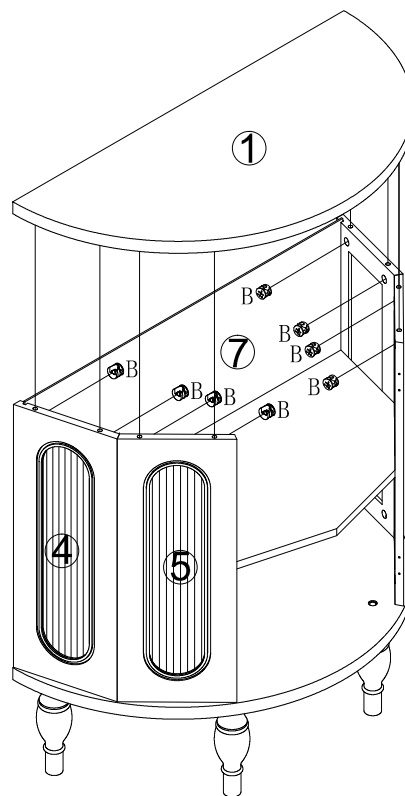
No. I
Quantity: 4 Pcs
Ø20



STEP 7



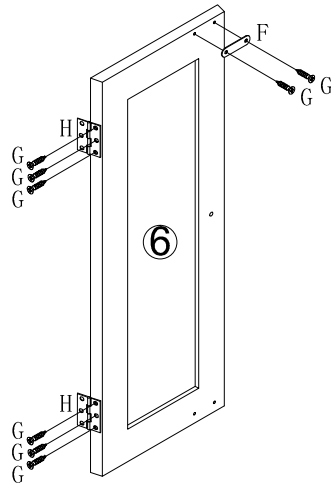
STEP 8



No. B
Quantity: 8 Pcs
Ø15

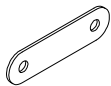


STEP 9



x2

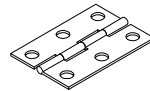
No. F
Quantity: 2 Pcs



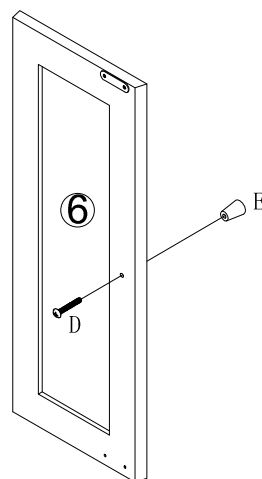
No. G
Quantity: 16 Pcs
3*14mm



No. H
Quantity: 4 Pcs
44*32*3mm



STEP 10



x2

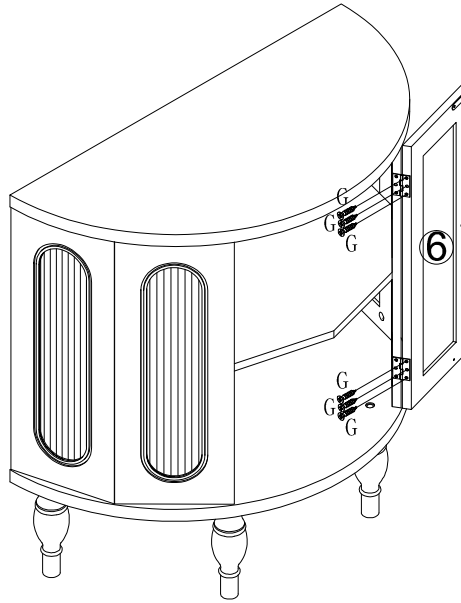
No. D
Quantity: 2 Pcs
M4*20mm



No. E
Quantity: 2 Pcs



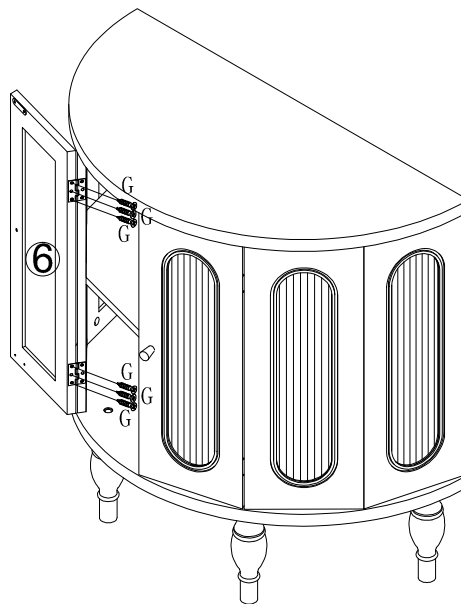
STEP 11



No. G
Quantity: 6 Pcs
3*14mm



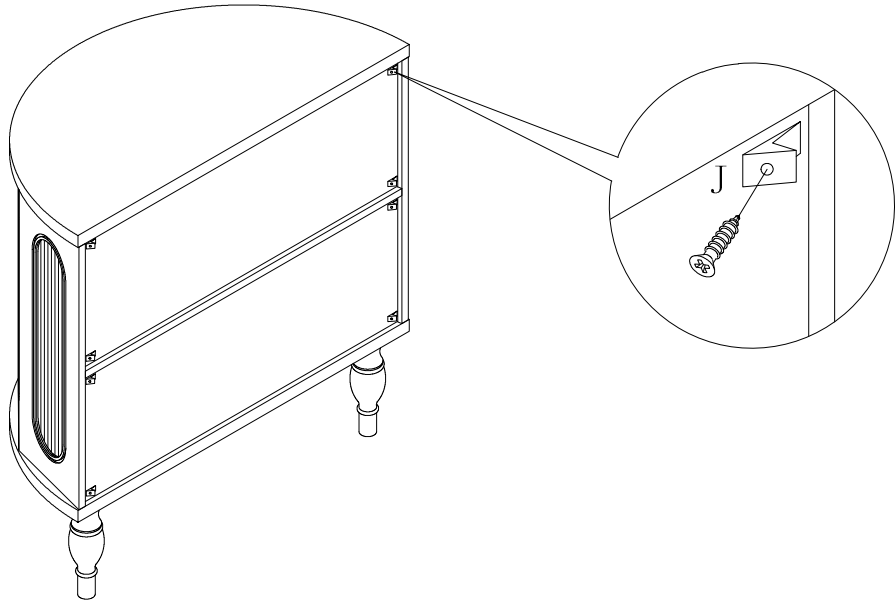
STEP 12



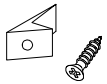
No. G
Quantity: 6 Pcs
3*14mm



STEP 13



No. J
Quantity: 8 Pcs



STEP 14

